

VIN PLATE DECODING INFORMATION

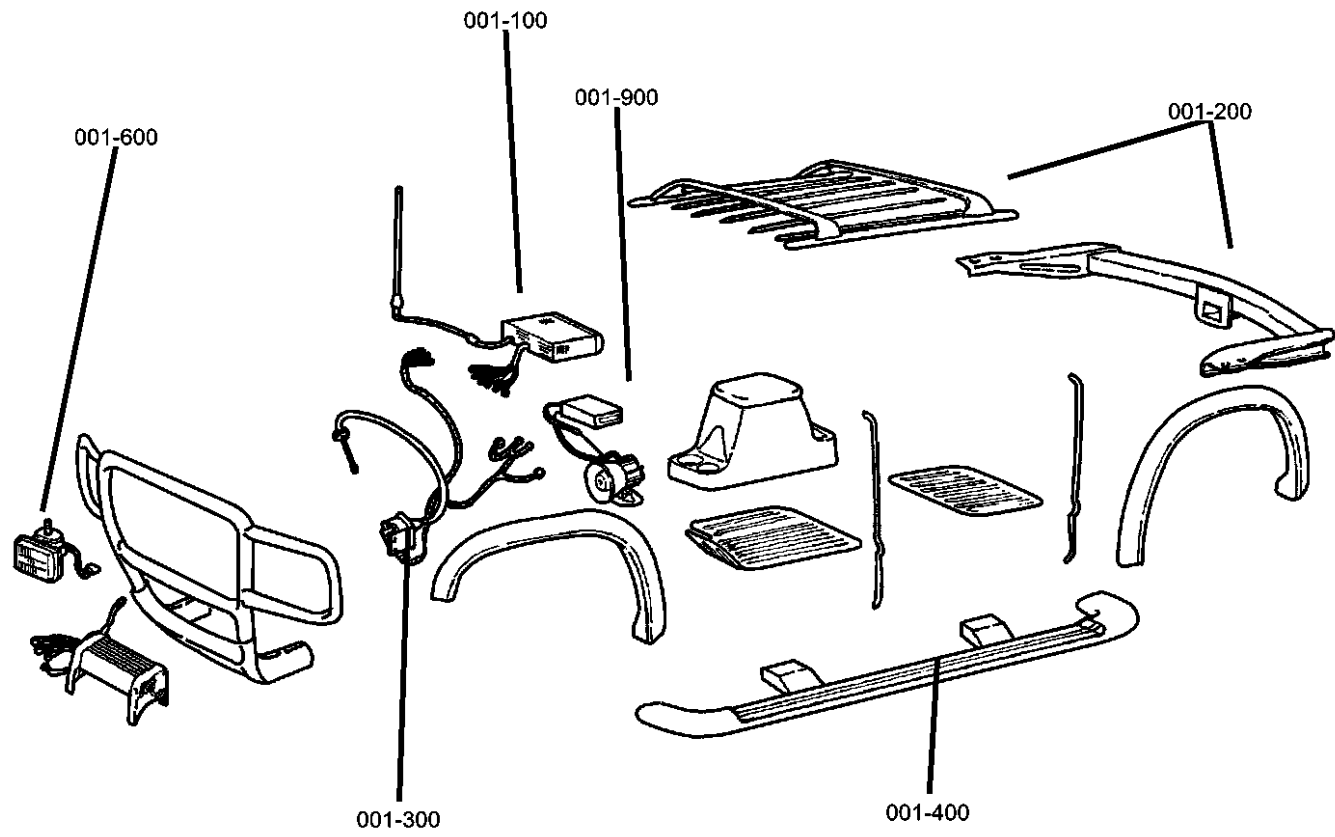
1	2	3	4	5	6	7	8	9	10	11	12 thru 17
Country	Make	Vehicle Type	Other	Line	Series	Body Style	Engine	Check Digit	Model Year	Assy. Plant	Sequence No.

The following table interprets the VIN Plate position shown above.

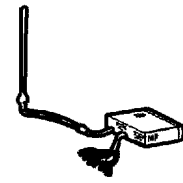
Position	Interpretation	Codes = Description
1	Country of Origin	3 = Built in Mexico by DaimlerChrysler de Mexico
2	Assembler	C = Chrysler
3	Vehicle Type	4 = Multipurpose Passenger Vehicle Less Side Air Bags 8 = Multipurpose Passenger Vehicle with Side Air Bags
4	GVWR & Pass. Safety	D = 0-1360 kg (0-3000 lbs) E = 1361-1814 kg (3001-4000 lbs) F = 1815-2267 kg (4001-5000 lbs) G = 2268-2721kg (5001-6000 lbs) H = 2722-3175 kg (6001-7000 lbs) J = 3176-3628 kg (7001-8000 lbs) K = 3629-4082kg (8001-9000 lbs) L = 4083-4535kg (9001-10000 lbs) M = 4536-6350kg (10001-14000 lbs)
5	Vehicle Line	4 = Cruiser (RHD) Y = Cruiser (LHD) H = Cruiser (RHD)
6	Series	5 = Cruiser Touring Edition 7 = Cruiser GT/GT Convertible 4 = Cruiser/PT Cruiser Convertible 6 = Cruiser Limited Edition
7	Body Style	5 = PT-27 8 = PT-44
8	Engine	F = 1.6L 4 Cyl. (EJD) U = 2.2L 4 Cyl. Turbo Diesel (EDJ) E = 2.4L 4 Cyl. 16V DOHC Turbo Gasoline (EDT) B = 2.4L 4 Cyl. (EDZ) (PT44) X = 2.4L 4 Cyl. (EDZ) (PT27) G = 2.4L 4 Cyl. (EDV) (PT44) S = 2.4L 4 Cyl. (EDV) (PT27)
9	Check Digit	0 = Check Digit 0 = Check Digit
10	Model Year	6 = 2006
11	Assembly Plant	T = Toluca
12 thru 17	Vehicle Build Sequence	Model Year Assembly Sequence

Group - 1

Component Parts for Mopar Accessories



001-100
Audio & Electronics



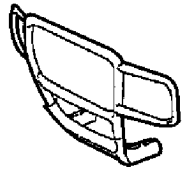
001-200
Carriers & Cargo Hauling



001-300
Driving Convenience



001-400
Exterior Appearance



001-600
Fog Lights & Electrical



Group - 1 Component Parts for Mopar Accessories

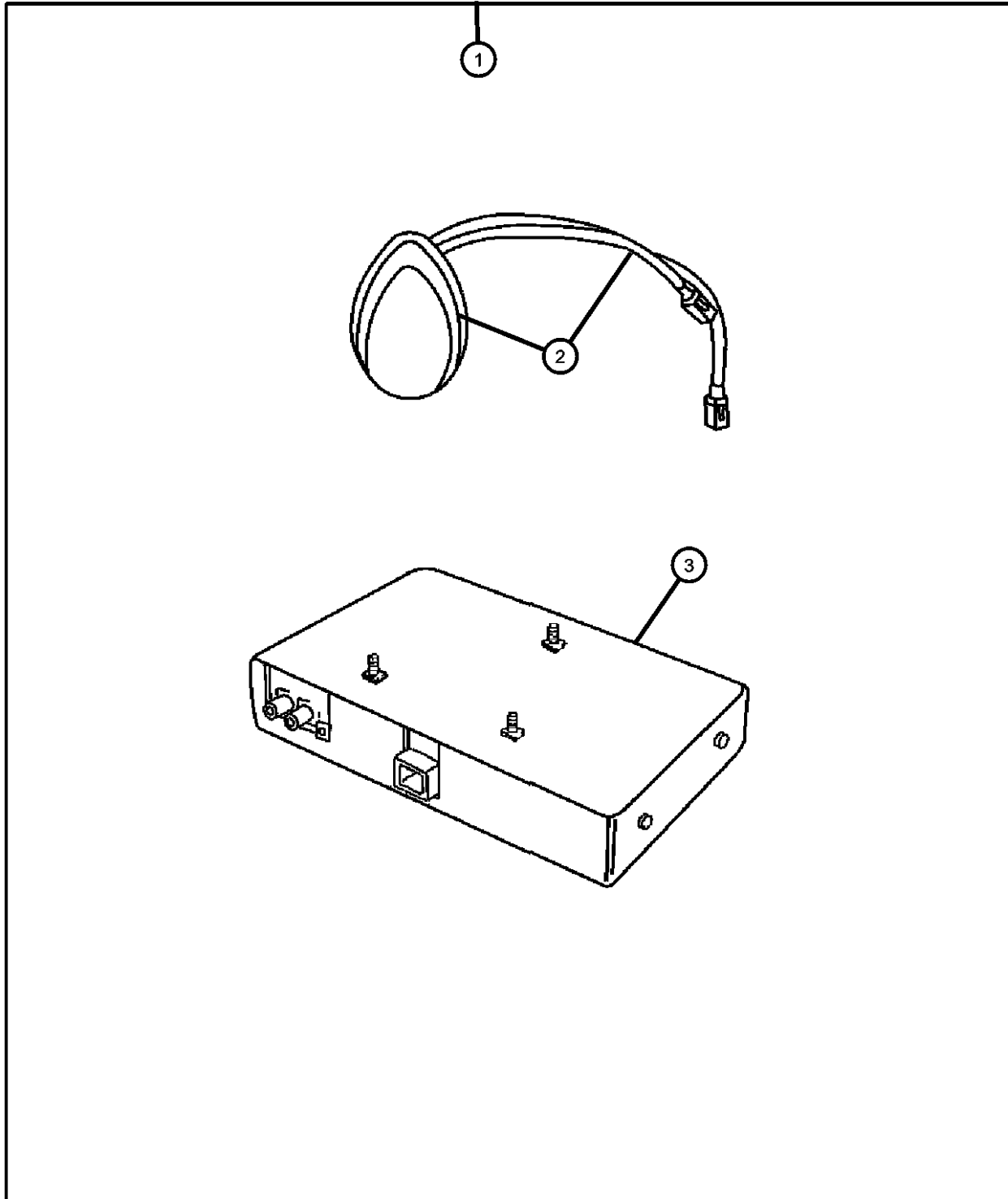
Illustration Title	Group-Fig. No.
Audio & Electronics	
Satellite Receiver Kit.....	Fig. 1 - 120
Install Kit - Satellite Receiver.....	Fig. 1 - 125
Carriers & Cargo Hauling	
Bike Carrier - Roof - Fork Mount Style.....	Fig. 1 - 210
Bike Carrier - Roof - Upright Mount Style.....	Fig. 1 - 215
Bike Carrier - Hitch Mount Style.....	Fig. 1 - 220
Carrier Kit - Roof-Luggage.....	Fig. 1 - 225
Ski Carrier - Roof.....	Fig. 1 - 230
Carrier Kit - Water Sports.....	Fig. 1 - 235
Carrier Kit - Canoe.....	Fig. 1 - 240
Rack Kit - Roof Multipurpose.....	Fig. 1 - 245
Driving Convenience	
Remote Start - Installation Kit.....	Fig. 1 - 310
Sensor Kit -Parking Distance.....	Fig. 1 - 320
Hands Free Kit/Cellular Phone Blue Tooth.....	Fig. 1 - 330
Exterior Appearance	
Wheel Kits.....	Fig. 1 - 410
Decor Kit - Bodyside.....	Fig. 1 - 430
Fog Lights & Electrical	
Heater Kit.....	Fig. 1 - 615

**Satellite Receiver Kit
Figure 1-120**

ITEM	PART NUMBER	QTY	LINE	SERIES	BODY	ENGINE	TRANS	TRIM	DESCRIPTION
------	-------------	-----	------	--------	------	--------	-------	------	-------------

Note; For Warranty Repair On Item 3, Order Using Z Prefix

1	82208881AA	1							RECEIVER, Satellite
2	05091504AB	1							ANTENNA, Satellite
3	05064002AJ	1							RECEIVER, Satellite



PT CRUISER (PT)

SERIES	LINE
H = HIGHLINE	C = CHRYSLER
P = PREMIUM	Z = CHRYSLER (RHD)
S = SPORT	
X = SPECIAL	

BODY
27 = 2-DR CONVERTIBLE
44 = HATCHBACK/QUAD CAB CHASSIS LWB

ENGINE	TRANSMISSION
EDJ = 2.2L 4 Cyl Turbo Diesel Engine	DGL = 4-Speed Automatic Transmission
EDT = 2.4L 4 Cyl DOHC 16V Turbo Engine	DD5 = 5-Speed Manual Transmission
EDV = 2.4L 4 Cyl DOHC 16V HO Turbo Engine	DDD = 5-Speed HD Manual Transmission
EDZ = 2.4L 4 Cyl DOHC 16V SMPI Engine	
EJD = 1.6L 4 Cyl SOHC 16V SMPI	

AR = use ase required - = Non illustrated part

2006 PT

Install Kit - Satellite Receiver
Figure 1-125

ITEM	PART NUMBER	QTY	LINE	SERIES	BODY	ENGINE	TRANS	TRIM	DESCRIPTION
1	82209761	1			44				INSTALL KIT, Satelite Receiver
2	05066207AA	1			44				CABLE, Antenna
3	05159035AA	1			44				HARNESS, Overlay
4	05159035AA	1							BRACKET, (NOT SERVICED)

PT CRUISER (PT)

SERIES	LINE	BODY	ENGINE	TRANSMISSION
H = HIGHLINE	C = CHRYSLER	27 = 2-DR CONVERTIBLE	EDJ = 2.2L 4 Cyl Turbo Diesel Engine	DGL = 4-Speed Automatic Transmission
P = PREMIUM	Z = CHRYSLER (RHD)	44 = HATCHBACK/QUAD CAB CHASSIS LWB	EDT = 2.4L 4 Cyl DOHC 16V Turbo Engine	DD5 = 5-Speed Manual Transmission
S = SPORT			EDV = 2.4L 4 Cyl DOHC 16V HO Turbo Engine	DDD = 5-Speed HD Manual Transmission
X = SPECIAL			EDZ = 2.4L 4 Cyl DOHC 16V SMPI Engine	
			EJD = 1.6L 4 Cyl SOHC 16V SMPI	

AR = use ase required - = Non illustrated part

2006 PT

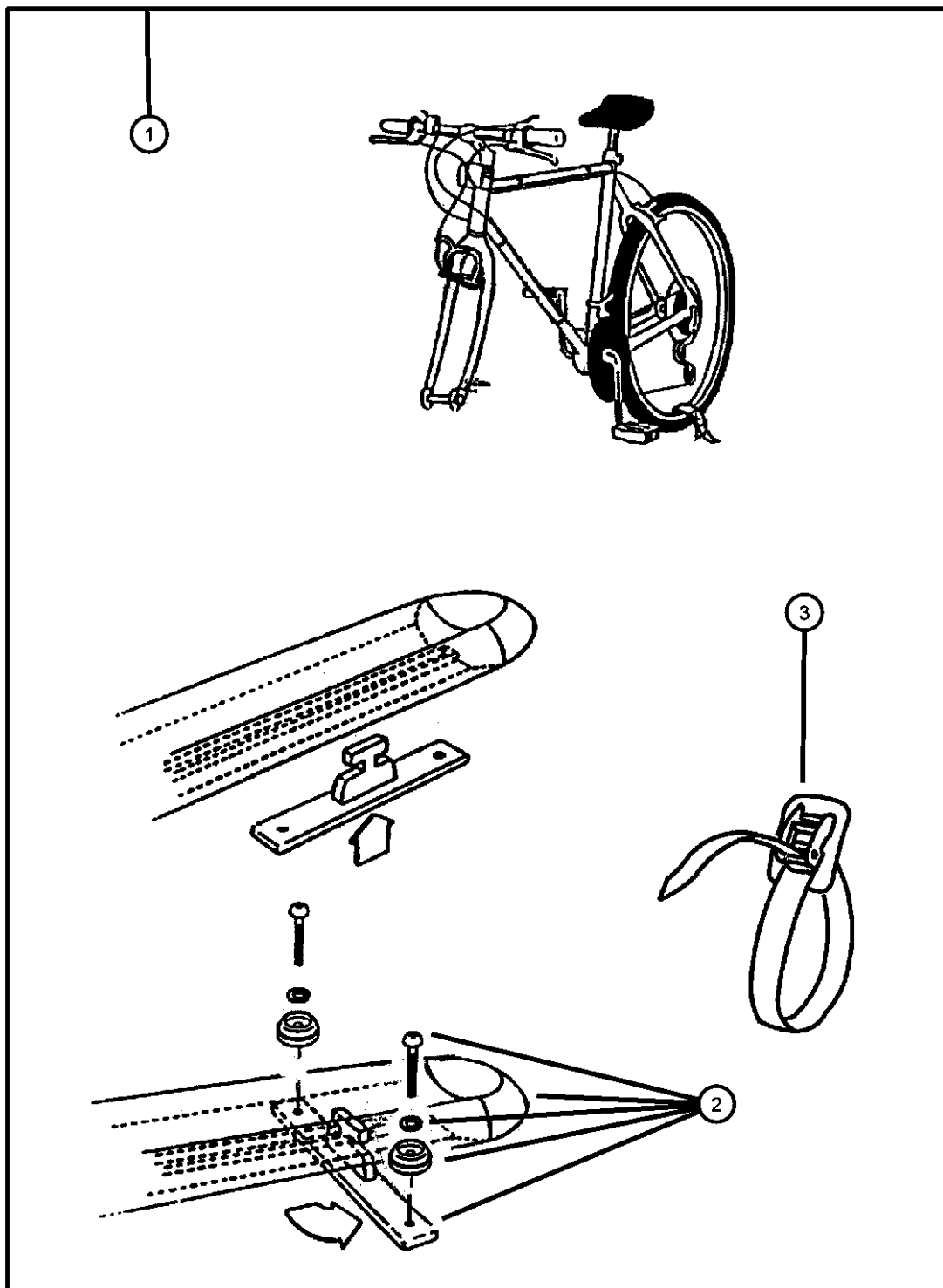
**Bike Carrier - Roof - Fork Mount Style
Figure 1-210**

ITEM	PART NUMBER	QTY	LINE	SERIES	BODY	ENGINE	TRANS	TRIM	DESCRIPTION
------	-------------	-----	------	--------	------	--------	-------	------	-------------

Note; Production Roof Rack With Adapter or Removable Roof Rack Required

1	82207943	1							CARRIER KIT, Bike
2	05093779AA	1							HARDWARE KIT, Accessory
3	05114532AA	1							STRAP, Cargo Tie Down

CARRIER KIT, Bike
HARDWARE KIT, Accessory
STRAP, Cargo Tie Down



PT CRUISER (PT)

SERIES	LINE
H = HIGHLINE	C = CHRYSLER
P = PREMIUM	Z = CHRYSLER (RHD)
S = SPORT	
X = SPECIAL	

BODY
27 = 2-DR CONVERTIBLE
44 = HATCHBACK/QUAD
CAB CHASSIS LWB

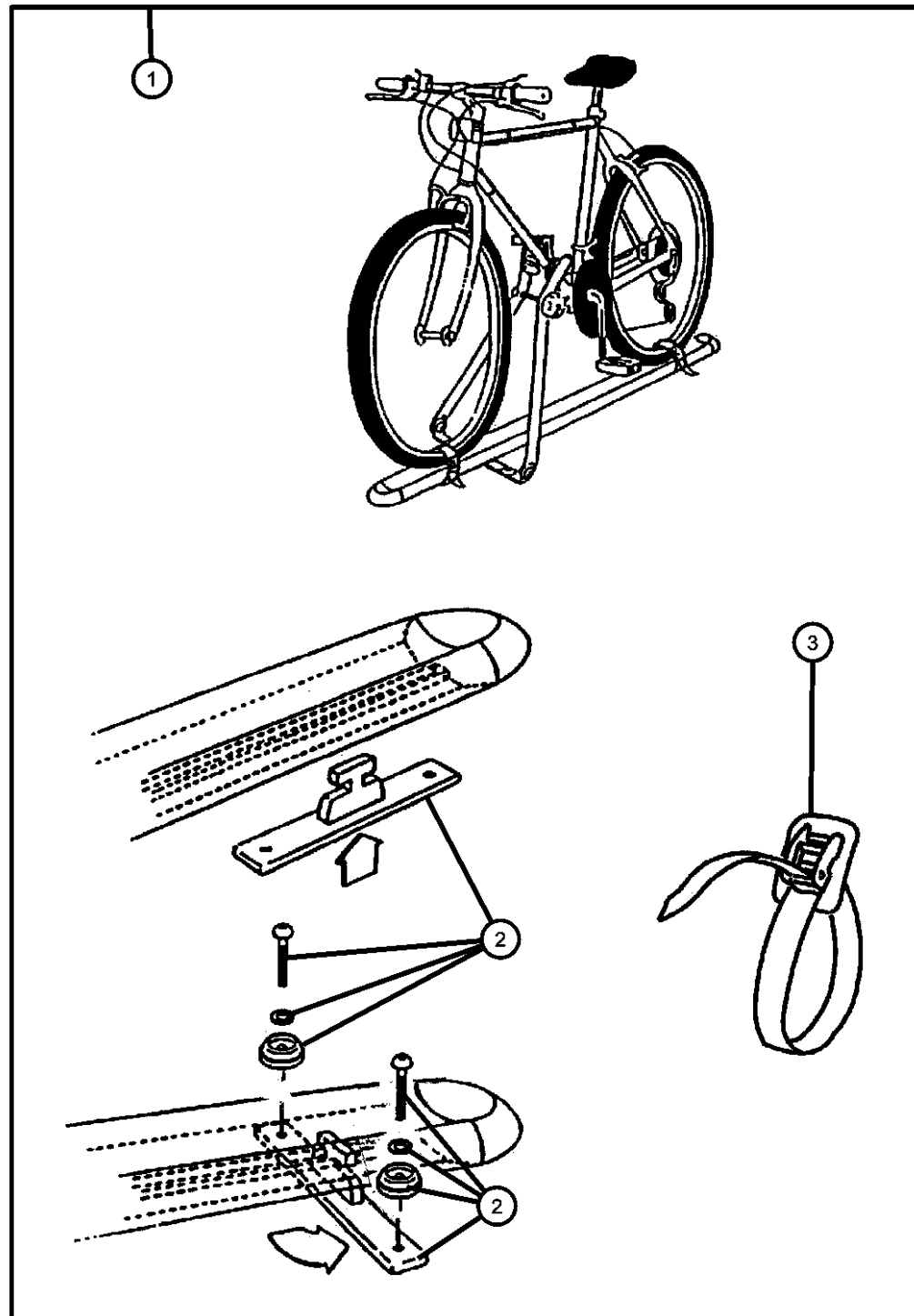
ENGINE	TRANSMISSION
EDJ = 2.2L 4 Cyl Turbo Diesel Engine	DGL = 4-Speed Automatic Transmission
EDT = 2.4L 4 Cyl DOHC 16V Turbo Engine	DD5 = 5-Speed Manual Transmission
EDV = 2.4L 4 Cyl DOHC 16V HO Turbo Engine	DDD = 5-Speed HD Manual Transmission
EDZ = 2.4L 4 Cyl DOHC 16V SMPI Engine	
EJD = 1.6L 4 Cyl SOHC 16V SMPI	

AR = use ase required - = Non illustrated part

2006 PT

**Bike Carrier - Roof - Upright Mount Style
Figure 1-215**

ITEM	PART NUMBER	QTY	LINE	SERIES	BODY	ENGINE	TRANS	TRIM	DESCRIPTION
------	-------------	-----	------	--------	------	--------	-------	------	-------------



Note; Production Roof Rack With Adapter or Removable Roof Rack Required

1	82207942	1							CARRIER KIT, Bike
2	05093779AA	1							HARDWARE KIT, Accessory
3	05114532AA	1							STRAP, Cargo Tie Down

CARRIER KIT, Bike
HARDWARE KIT, Accessory
STRAP, Cargo Tie Down

PT CRUISER (PT)

SERIES	LINE
H = HIGHLINE	C = CHRYSLER
P = PREMIUM	Z = CHRYSLER (RHD)
S = SPORT	
X = SPECIAL	

BODY
27 = 2-DR CONVERTIBLE
44 = HATCHBACK/QUAD CAB CHASSIS LWB

ENGINE	TRANSMISSION
EDJ = 2.2L 4 Cyl Turbo Diesel Engine	DGL = 4-Speed Automatic Transmission
EDT = 2.4L 4 Cyl DOHC 16V Turbo Engine	DD5 = 5-Speed Manual Transmission
EDV = 2.4L 4 Cyl DOHC 16V HO Turbo Engine	DDD = 5-Speed HD Manual Transmission
EDZ = 2.4L 4 Cyl DOHC 16V SMPI Engine	
EJD = 1.6L 4 Cyl SOHC 16V SMPI	

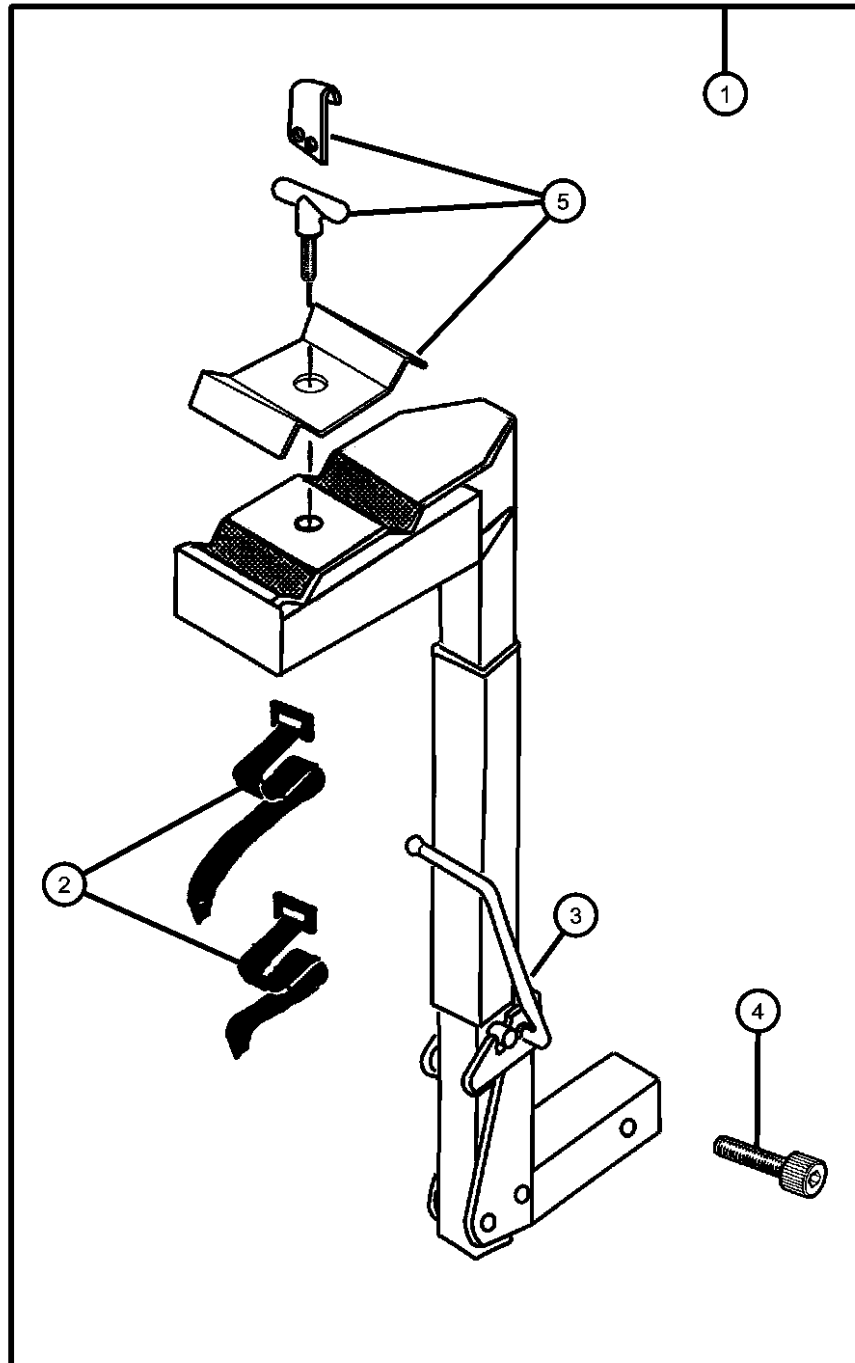
AR = use ase required - = Non illustrated part

2006 PT

**Bike Carrier - Hitch Mount Style
Figure 1-220**

ITEM	PART NUMBER	QTY	LINE	SERIES	BODY	ENGINE	TRANS	TRIM	DESCRIPTION
------	-------------	-----	------	--------	------	--------	-------	------	-------------

NOTE: Folds down for access to rear deck, has anti theft bolts.



1	82204452	2							CARRIER KIT, Bike
2	04762880	1							STRAP KIT, Velcro
3	05016775AA	1							STRAP KIT, Bike Carrier Latch
4	05016774AA	1							BOLT KIT, Security
5	05018825AA	1							HARDWARE KIT, Bike Carrier

PT CRUISER (PT)

SERIES LINE
H = HIGHLINE C = CHRYSLER
P = PREMIUM Z = CHRYSLER (RHD)
S = SPORT
X = SPECIAL

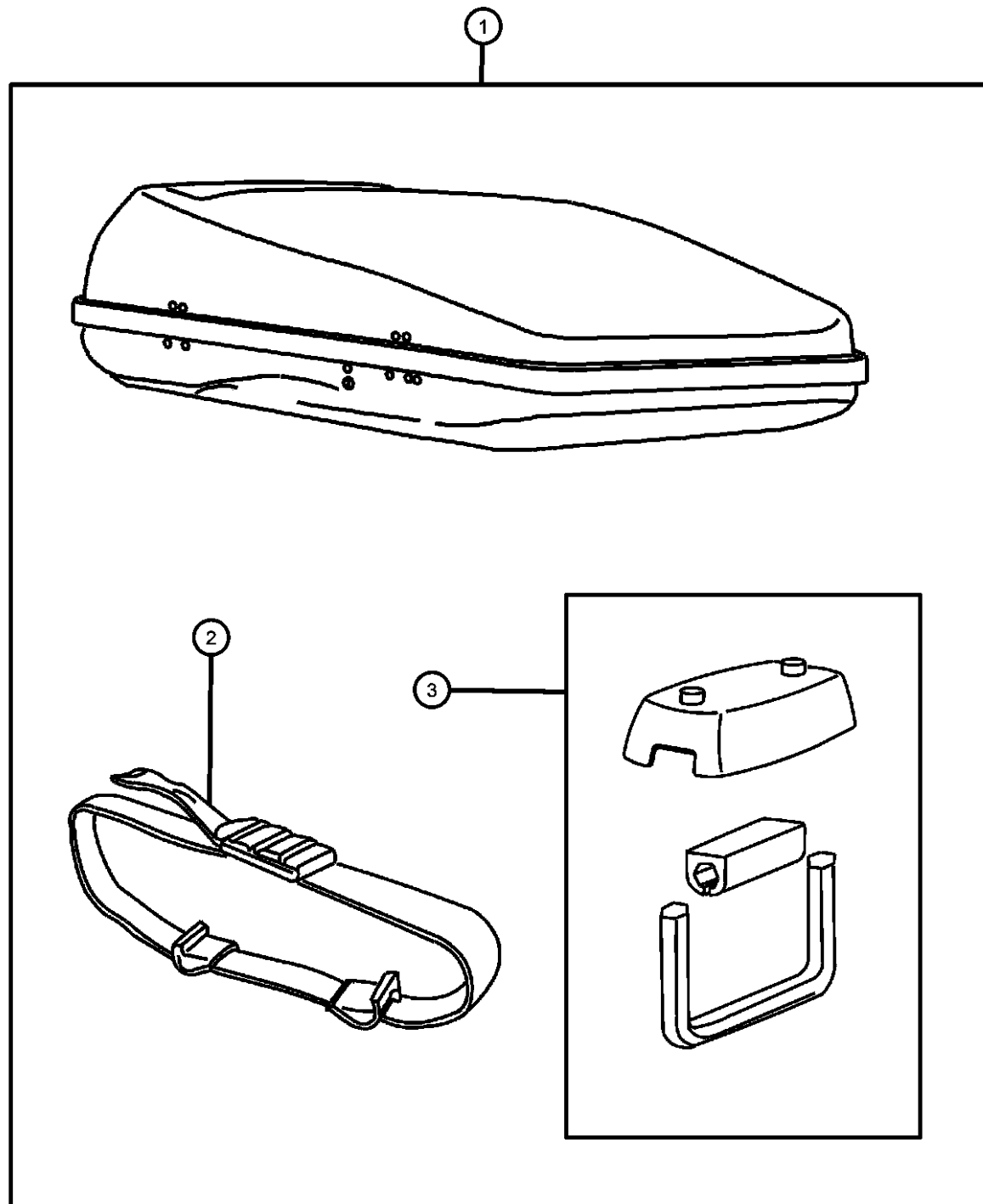
BODY
27 = 2-DR CONVERTIBLE
44 = HATCHBACK/QUAD
CAB CHASSIS LWB

ENGINE
EDJ = 2.2L 4 Cyl Turbo Diesel Engine
EDT = 2.4L 4 Cyl DOHC 16V Turbo Engine
EDV = 2.4L 4 Cyl DOHC 16V HO Turbo Engine
EDZ = 2.4L 4 Cyl DOHC 16V SMPI Engine
EJD = 1.6L 4 Cyl SOHC 16V SMPI

TRANSMISSION
DGL = 4-Speed Automatic Transmission
DD5 = 5-Speed Manual Transmission
DDD = 5-Speed HD Manual Transmission

AR = use ase required - = Non illustrated part

Carrier Kit - Roof-Luggage
Figure 1-225



ITEM	PART NUMBER	QTY	LINE	SERIES	BODY	ENGINE	TRANS	TRIM	DESCRIPTION
------	-------------	-----	------	--------	------	--------	-------	------	-------------

Note; Production or Removable Roof Rack Required

1	82207341AB	1			44				CARRIER KIT, Luggage 480 Liter Capacity
	82207353AB	1			44				440 Liter Capacity
2	05086160AA	1			44				STRAP, Cargo Tie Down
3	05086159AA	1			44				HARDWARE KIT

PT CRUISER (PT)

SERIES LINE
H = HIGHLINE C = CHRYSLER
P = PREMIUM Z = CHRYSLER (RHD)
S = SPORT
X = SPECIAL

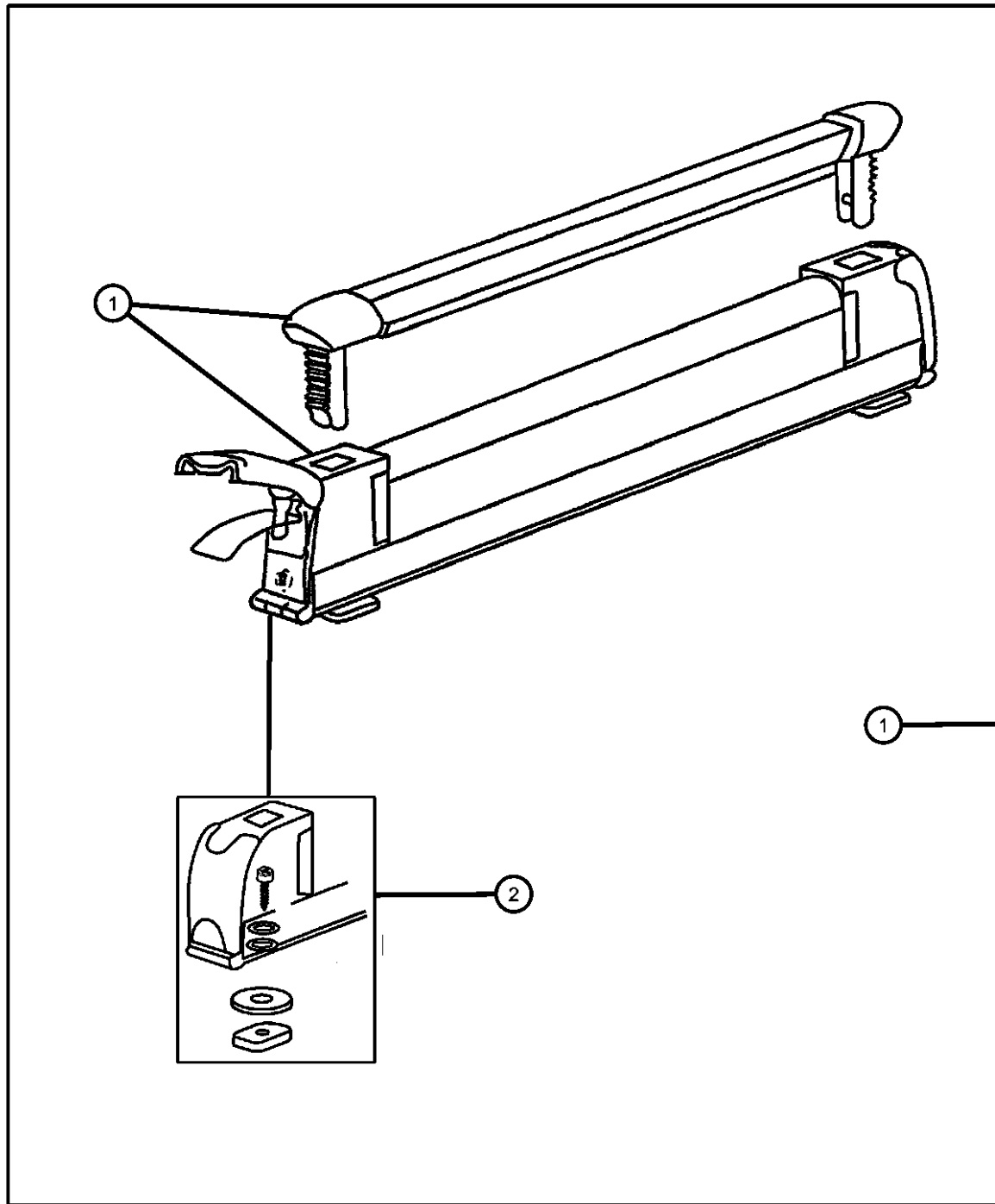
BODY
27 = 2-DR CONVERTIBLE
44 = HATCHBACK/QUAD
CAB CHASSIS LWB

ENGINE TRANSMISSION
EDJ = 2.2L 4 Cyl Turbo Diesel Engine
EDT = 2.4L 4 Cyl DOHC 16V Turbo Engine
EDV = 2.4L 4 Cyl DOHC 16V HO Turbo Engine
EDZ = 2.4L 4 Cyl DOHC 16V SMPI Engine
EJD = 1.6L 4 Cyl SOHC 16V SMPI
DGL = 4-Speed Automatic Transmission
DD5 = 5-Speed Manual Transmission
DDD = 5-Speed HD Manual Transmission

AR = use ase required - = Non illustrated part

Ski Carrier - Roof
Figure 1-230

ITEM	PART NUMBER	QTY	LINE	SERIES	BODY	ENGINE	TRANS	TRIM	DESCRIPTION
------	-------------	-----	------	--------	------	--------	-------	------	-------------



Note; Production or Removable Roof Rack Required

1									CARRIER KIT, Ski
	82207308	1							6 Pair Skis or 4 Snowboards
	82207312	1							3 Pair Skis or 2 Snowboards
2	05086158AA	1							HARDWARE KIT, Accessory, Contains: 4 - 25MM Screws, 4 - 20M Screws, 4 - 16MM Screws, 4 - Lock Washers, 4 - Flat Washers, 4 - T Plates, 4 - Rubber Washers
-3	05066632AA	1							TOOL, Screw Driver

PT CRUISER (PT)

SERIES LINE
H = HIGHLINE C = CHRYSLER
P = PREMIUM Z = CHRYSLER (RHD)
S = SPORT
X = SPECIAL

BODY
27 = 2-DR CONVERTIBLE
44 = HATCHBACK/QUAD
CAB CHASSIS LWB

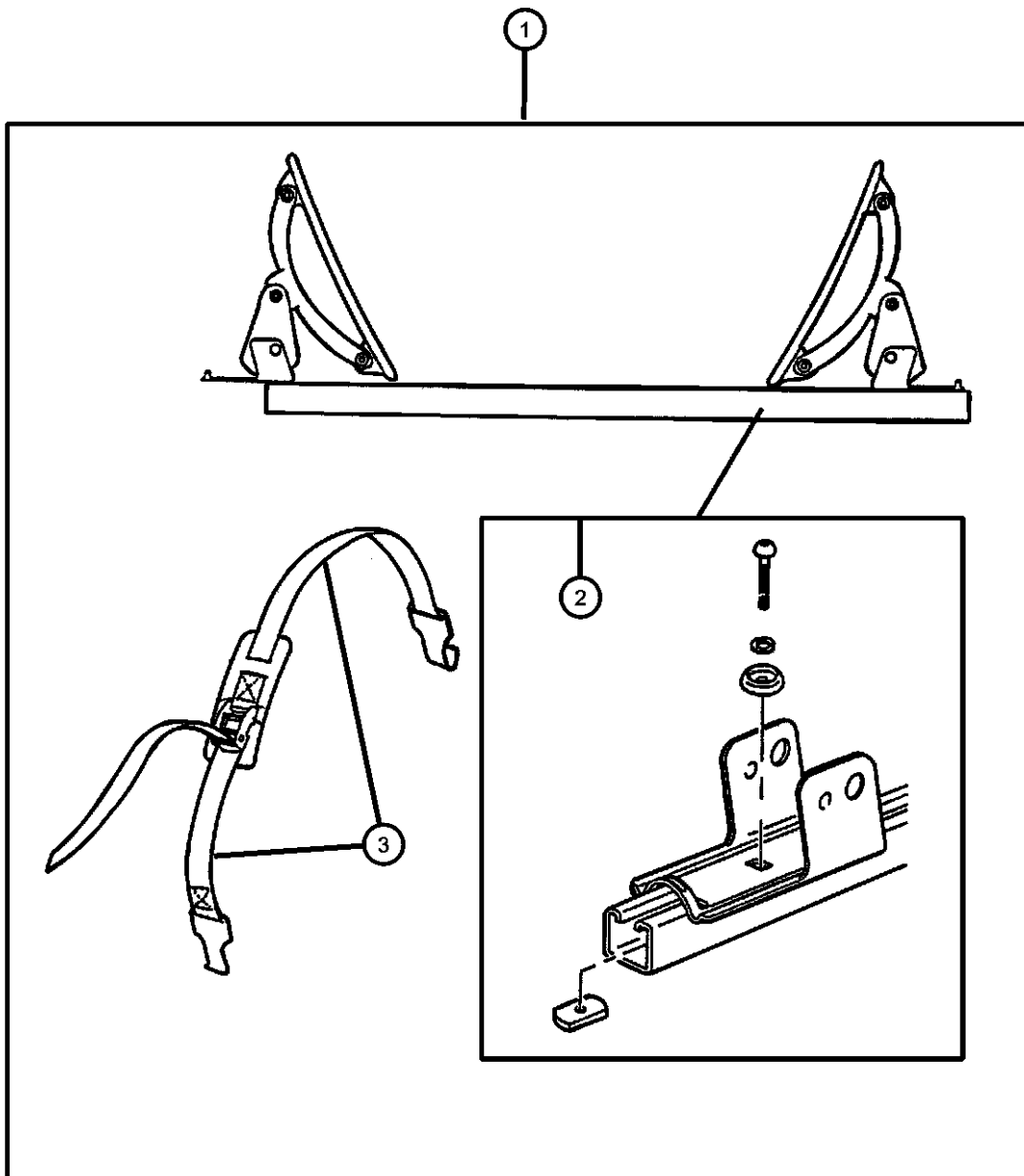
ENGINE
EDJ = 2.2L 4 Cyl Turbo Diesel Engine
EDT = 2.4L 4 Cyl DOHC 16V Turbo Engine
EDV = 2.4L 4 Cyl DOHC 16V HO Turbo Engine
EDZ = 2.4L 4 Cyl DOHC 16V SMPI Engine
EJD = 1.6L 4 Cyl SOHC 16V SMPI

TRANSMISSION
DGL = 4-Speed Automatic Transmission
DD5 = 5-Speed Manual Transmission
DDD = 5-Speed HD Manual Transmission

AR = use ase required - = Non illustrated part

2006 PT

Carrier Kit - Water Sports
Figure 1-235



ITEM	PART NUMBER	QTY	LINE	SERIES	BODY	ENGINE	TRANS	TRIM	DESCRIPTION
1	82205416	1	C, Z		44				CARRIER KIT, Water Sports
2	05016389AA	1	C, Z		44				HARDWARE KIT, Accessory, Consists of: 4- 25MM Button Head Screws, 4- 30MM Button Head Screws, 4- Lock Washers, 4- Dome Washers, 4- Rubber Washers and 4- T-Nuts.
3	05016511AA	1	C, Z		44				STRAP, Cargo Tie Down

PT CRUISER (PT)

SERIES LINE
H = HIGHLINE C = CHRYSLER
P = PREMIUM Z = CHRYSLER (RHD)
S = SPORT
X = SPECIAL

BODY
27 = 2-DR CONVERTIBLE
44 = HATCHBACK/QUAD
CAB CHASSIS LWB

ENGINE TRANSMISSION
EDJ = 2.2L 4 Cyl Turbo Diesel Engine
EDT = 2.4L 4 Cyl DOHC 16V Turbo Engine
EDV = 2.4L 4 Cyl DOHC 16V HO Turbo Engine
EDZ = 2.4L 4 Cyl DOHC 16V SMPI Engine
EJD = 1.6L 4 Cyl SOHC 16V SMPI
DGL = 4-Speed Automatic Transmission
DD5 = 5-Speed Manual Transmission
DDD = 5-Speed HD Manual Transmission

AR = use ase required - = Non illustrated part

2006 PT

**Carrier Kit - Canoe
Figure 1-240**

ITEM	PART NUMBER	QTY	LINE	SERIES	BODY	ENGINE	TRANS	TRIM	DESCRIPTION
Note; Requires Removable Roof Rack									
1	82204700	1			44				CARRIER KIT, Canoe
2	05016389AA	1							HARDWARE KIT, Accessory
3	05016511AA	1							STRAP, Cargo Tie Down
4	05016511AA	1							BRACKET, Cargo Tie Down, Serviced With Carrier Kit, (NOT SERVICED)

PT CRUISER (PT)

SERIES	LINE	BODY	ENGINE	TRANSMISSION
H = HIGHLINE	C = CHRYSLER	27 = 2-DR CONVERTIBLE	EDJ = 2.2L 4 Cyl Turbo Diesel Engine	DGL = 4-Speed Automatic Transmission
P = PREMIUM	Z = CHRYSLER (RHD)	44 = HATCHBACK/QUAD CAB CHASSIS LWB	EDT = 2.4L 4 Cyl DOHC 16V Turbo Engine	DD5 = 5-Speed Manual Transmission
S = SPORT			EDV = 2.4L 4 Cyl DOHC 16V HO Turbo Engine	DDD = 5-Speed HD Manual Transmission
X = SPECIAL			EDZ = 2.4L 4 Cyl DOHC 16V SMPI Engine	
			EJD = 1.6L 4 Cyl SOHC 16V SMPI	

AR = use ase required - = Non illustrated part

2006 PT

**Rack Kit - Roof Multipurpose
Figure 1-245**

ITEM	PART NUMBER	QTY	LINE	SERIES	BODY	ENGINE	TRANS	TRIM	DESCRIPTION
Note; Requires Roof Rack									
1	82206179	1			44				RACK KIT, Multipurpose
2	05072276AA	1	C, Z		44				END CAP, Roof Rack Side Rail
-3	05066632AA	1							TOOL, Screw Driver

PT CRUISER (PT)

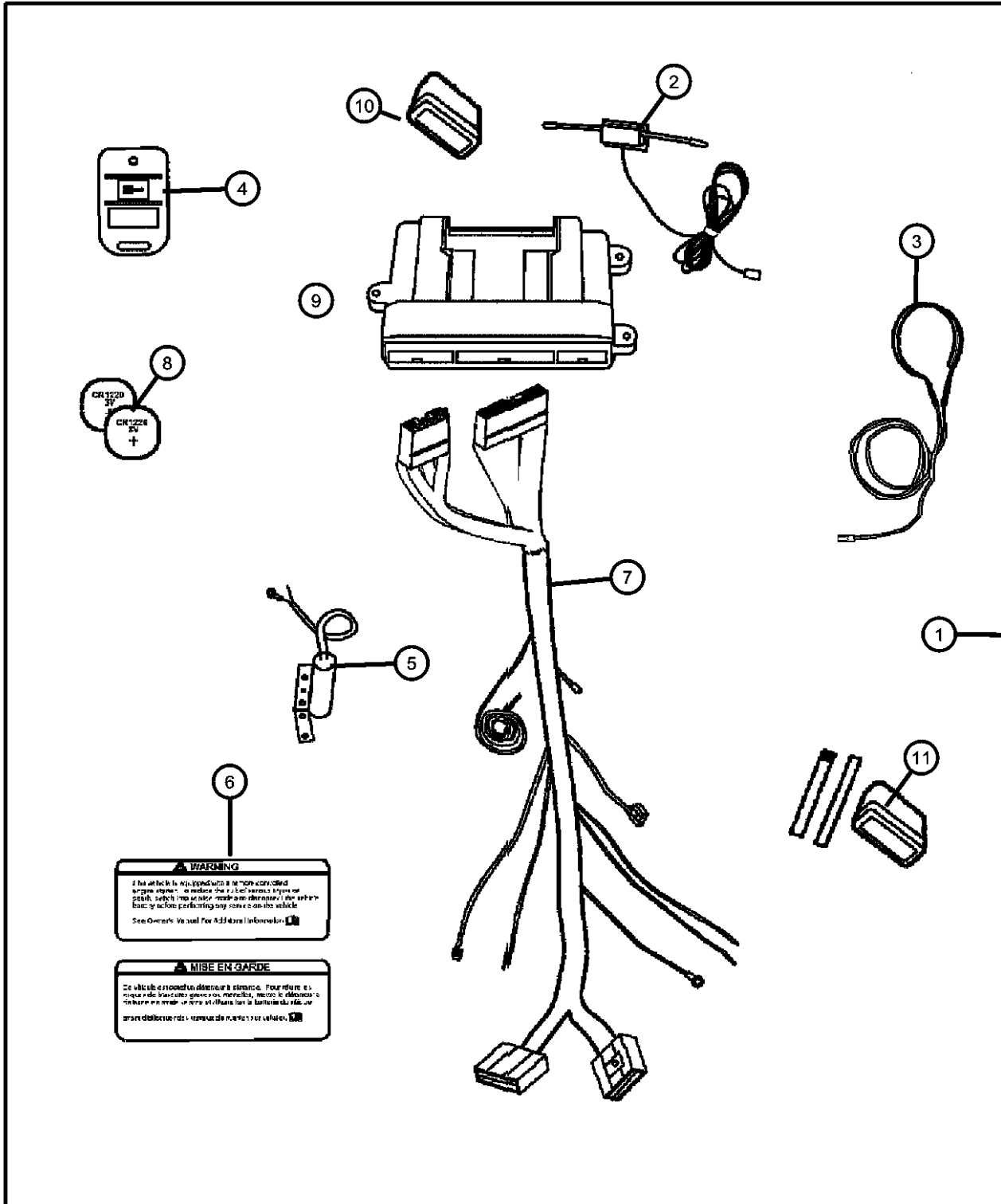
SERIES	LINE	BODY	ENGINE	TRANSMISSION
H = HIGHLINE	C = CHRYSLER	27 = 2-DR CONVERTIBLE	EDJ = 2.2L 4 Cyl Turbo Diesel Engine	DGL = 4-Speed Automatic Transmission
P = PREMIUM	Z = CHRYSLER (RHD)	44 = HATCHBACK/QUAD CAB CHASSIS LWB	EDT = 2.4L 4 Cyl DOHC 16V Turbo Engine	DD5 = 5-Speed Manual Transmission
S = SPORT			EDV = 2.4L 4 Cyl DOHC 16V HO Turbo Engine	DDD = 5-Speed HD Manual Transmission
X = SPECIAL			EDZ = 2.4L 4 Cyl DOHC 16V SMPI Engine	
			EJD = 1.6L 4 Cyl SOHC 16V SMPI	

AR = use ase required - = Non illustrated part

2006 PT

Remote Start - Installation Kit
Figure 1-310

ITEM	PART NUMBER	QTY	LINE	SERIES	BODY	ENGINE	TRANS	TRIM	DESCRIPTION
1	82209870	1							INSTALL KIT, REMOTE START
2	05140470AA	1							ANTENNA
3	05140471AA	1							ANTENNA
4	05140472AA	1							TRANSMITTER
5	05140473AA	1							SWITCH
6	05140474AA	1							LABEL
7	05140474AA	1							HARNESS, (NOT SERVICED)
8	05140773AA	1							BATTERY, Transmitter, 12 Per Package
9	82208859AB	1							MODULE KIT, REMOTE START
10	05140466AA	1							MODULE, Remote Start
11	05140467AA	1							MODULE



PT CRUISER (PT)

SERIES LINE
H = HIGHLINE C = CHRYSLER
P = PREMIUM Z = CHRYSLER (RHD)
S = SPORT
X = SPECIAL

BODY
27 = 2-DR CONVERTIBLE
44 = HATCHBACK/QUAD
CAB CHASSIS LWB

ENGINE TRANSMISSION
EDJ = 2.2L 4 Cyl Turbo Diesel Engine
EDT = 2.4L 4 Cyl DOHC 16V Turbo Engine
EDV = 2.4L 4 Cyl DOHC 16V HO Turbo Engine
EDZ = 2.4L 4 Cyl DOHC 16V SMPI Engine
EJD = 1.6L 4 Cyl SOHC 16V SMPI
DGL = 4-Speed Automatic Transmission
DD5 = 5-Speed Manual Transmission
DDD = 5-Speed HD Manual Transmission

AR = use ase required - = Non illustrated part

2006 PT

**Sensor Kit -Parking Distance
Figure 1-320**

ITEM	PART NUMBER	QTY	LINE	SERIES	BODY	ENGINE	TRANS	TRIM	DESCRIPTION
1	82208246AB	1							SENSOR KIT, Park Distance
2	05137541AA	1							MODULE, Parking Assist
3	05137540AA	1							WIRING, Distance Sensor
4	05137539AA	1							DISPLAY, Parking Assist
5	05137536AA	1							SENSOR

PT CRUISER (PT)

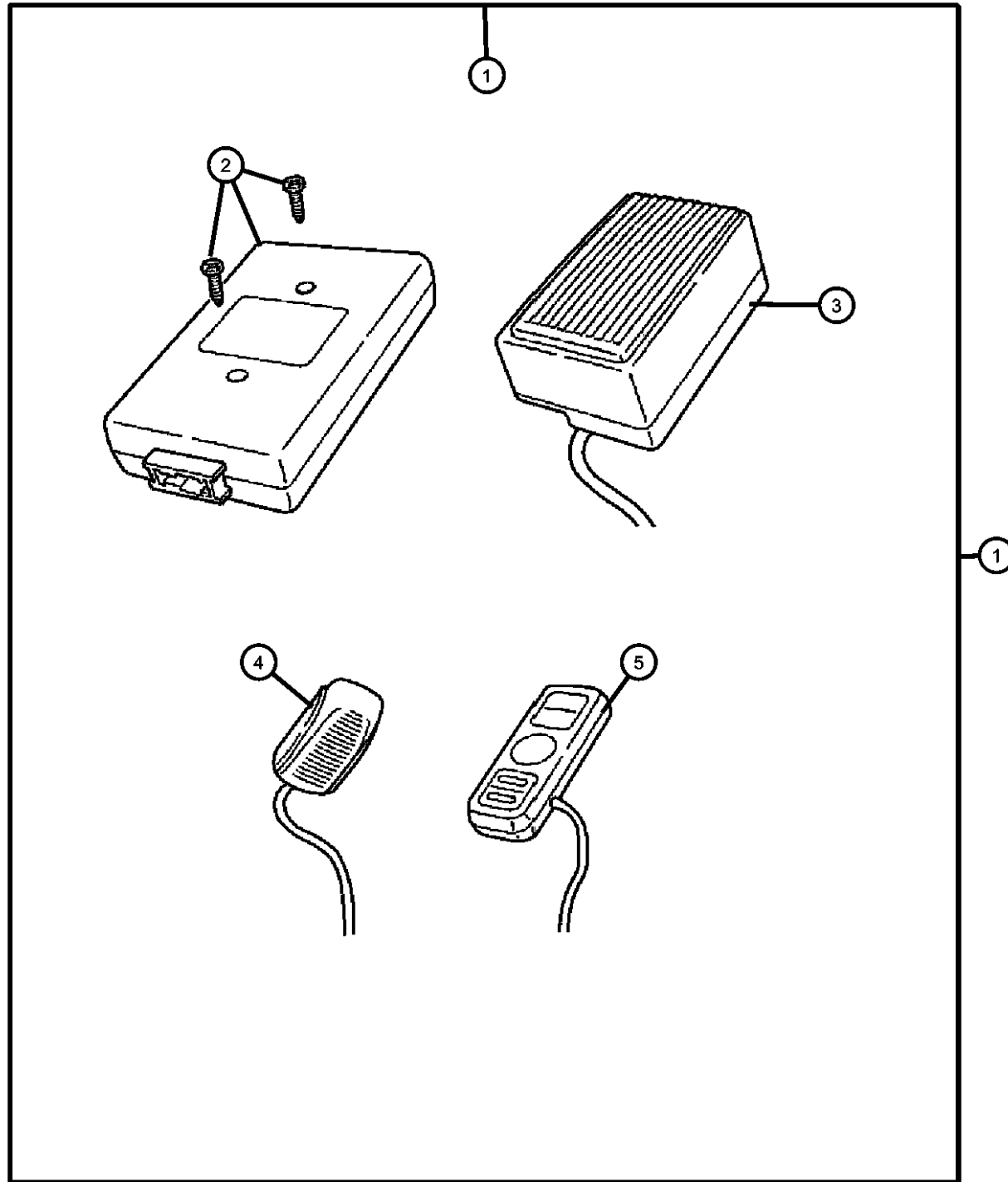
SERIES	LINE	BODY	ENGINE	TRANSMISSION
H = HIGHLINE	C = CHRYSLER	27 = 2-DR CONVERTIBLE	EDJ = 2.2L 4 Cyl Turbo Diesel Engine	DGL = 4-Speed Automatic Transmission
P = PREMIUM	Z = CHRYSLER (RHD)	44 = HATCHBACK/QUAD CAB CHASSIS LWB	EDT = 2.4L 4 Cyl DOHC 16V Turbo Engine	DD5 = 5-Speed Manual Transmission
S = SPORT			EDV = 2.4L 4 Cyl DOHC 16V HO Turbo Engine	DDD = 5-Speed HD Manual Transmission
X = SPECIAL			EDZ = 2.4L 4 Cyl DOHC 16V SMPI Engine	
			EJD = 1.6L 4 Cyl SOHC 16V SMPI	

AR = use ase required - = Non illustrated part

2006 PT

Hands Free Kit/Cellular Phone Blue Tooth
Figure 1-330

ITEM	PART NUMBER	QTY	LINE	SERIES	BODY	ENGINE	TRANS	TRIM	DESCRIPTION
1	82207853AD	1							HANDS FREE KIT, Cellular Phone
2	05114359AD	1							MODULE, U Connect
3	05102026AA	1							SPEAKER, Front
4	05102025AA	1							MICROPHONE, Audio
5	05102027AA	1							CONTROLLER, Audio



PT CRUISER (PT)

SERIES LINE
H = HIGHLINE C = CHRYSLER
P = PREMIUM Z = CHRYSLER (RHD)
S = SPORT
X = SPECIAL

BODY
27 = 2-DR CONVERTIBLE
44 = HATCHBACK/QUAD
CAB CHASSIS LWB

ENGINE TRANSMISSION
EDJ = 2.2L 4 Cyl Turbo Diesel DGL = 4-Speed Automatic
Engine Transmission
EDT = 2.4L 4 Cyl DOHC 16V DD5 = 5-Speed Manual Transmission
Turbo Engine DDD = 5-Speed HD Manual
EDV = 2.4L 4 Cyl DOHC 16V Transmission
HO Turbo Engine
EDZ = 2.4L 4 Cyl DOHC 16V
SMPI Engine
EJD = 1.6L 4 Cyl SOHC 16V
SMPI

AR = use ase required - = Non illustrated part

2006 PT

**Wheel Kits
Figure 1-410**

ITEM	PART NUMBER	QTY	LINE	SERIES	BODY	ENGINE	TRANS	TRIM	DESCRIPTION
1	82205896	1	C		44				WHEEL KIT, Cast Aluminum, 16x6, Chromed
2	05066120AA	1	C		44				CAP, Wheel Center, Use with 82205896
3	06502738	1	C		44				NUT, Wheel Chrome, M12x1.5

PT CRUISER (PT)

SERIES	LINE	BODY	ENGINE	TRANSMISSION
H = HIGHLINE	C = CHRYSLER	27 = 2-DR CONVERTIBLE	EDJ = 2.2L 4 Cyl Turbo Diesel Engine	DGL = 4-Speed Automatic Transmission
P = PREMIUM	Z = CHRYSLER (RHD)	44 = HATCHBACK/QUAD CAB CHASSIS LWB	EDT = 2.4L 4 Cyl DOHC 16V Turbo Engine	DD5 = 5-Speed Manual Transmission
S = SPORT			EDV = 2.4L 4 Cyl DOHC 16V HO Turbo Engine	DDD = 5-Speed HD Manual Transmission
X = SPECIAL			EDZ = 2.4L 4 Cyl DOHC 16V SMPI Engine	
			EJD = 1.6L 4 Cyl SOHC 16V SMPI	

AR = use ase required - = Non illustrated part

2006 PT

**Decor Kit - Bodyside
Figure 1-430**

ITEM	PART NUMBER	QTY	LINE	SERIES	BODY	ENGINE	TRANS	TRIM	DESCRIPTION
1	82207408	1	C		44				DECOR KIT, Bodyside
2	05303507AA	2			44				MOLDING, Front DoorRight & Left
3	05303508AA	2			44				MOLDING, Rear DoorRight & Left

PT CRUISER (PT)

SERIES	LINE	BODY	ENGINE	TRANSMISSION
H = HIGHLINE	C = CHRYSLER	27 = 2-DR CONVERTIBLE	EDJ = 2.2L 4 Cyl Turbo Diesel Engine	DGL = 4-Speed Automatic Transmission
P = PREMIUM	Z = CHRYSLER (RHD)	44 = HATCHBACK/QUAD CAB CHASSIS LWB	EDT = 2.4L 4 Cyl DOHC 16V Turbo Engine	DD5 = 5-Speed Manual Transmission
S = SPORT			EDV = 2.4L 4 Cyl DOHC 16V HO Turbo Engine	DDD = 5-Speed HD Manual Transmission
X = SPECIAL			EDZ = 2.4L 4 Cyl DOHC 16V SMPI Engine	
			EJD = 1.6L 4 Cyl SOHC 16V SMPI	

AR = use ase required - = Non illustrated part

2006 PT

**Heater Kit
Figure 1-615**

ITEM	PART NUMBER	QTY	LINE	SERIES	BODY	ENGINE	TRANS	TRIM	DESCRIPTION
1	82206785	1							HEATER KIT, Engine Block
2	04794324AC	1							CORD, Engine Block Heater
3	05073039AA	1							STRAP, Tie
4	05033157AB	1							HEATER, Engine Block

PT CRUISER (PT)

SERIES	LINE	BODY	ENGINE	TRANSMISSION
H = HIGHLINE	C = CHRYSLER	27 = 2-DR CONVERTIBLE	EDJ = 2.2L 4 Cyl Turbo Diesel Engine	DGL = 4-Speed Automatic Transmission
P = PREMIUM	Z = CHRYSLER (RHD)	44 = HATCHBACK/QUAD CAB CHASSIS LWB	EDT = 2.4L 4 Cyl DOHC 16V Turbo Engine	DD5 = 5-Speed Manual Transmission
S = SPORT			EDV = 2.4L 4 Cyl DOHC 16V HO Turbo Engine	DDD = 5-Speed HD Manual Transmission
X = SPECIAL			EDZ = 2.4L 4 Cyl DOHC 16V SMPI Engine	
			EJD = 1.6L 4 Cyl SOHC 16V SMPI	

AR = use ase required - = Non illustrated part

2006 PT

Group - 2

Front Suspension & Drive

Group - 2 Front Suspension & Drive

Illustration Title

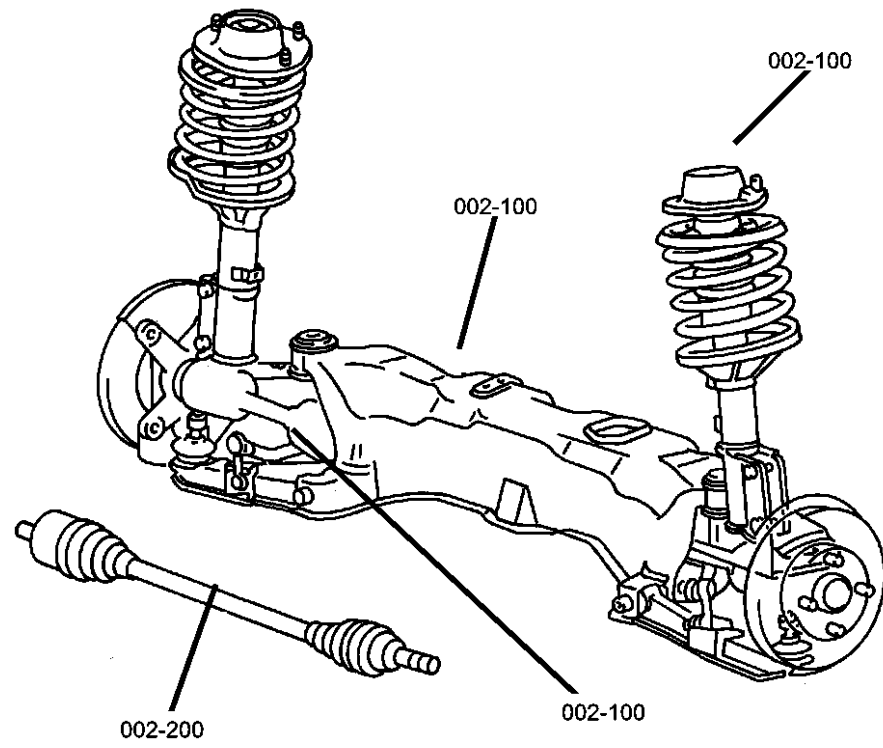
Group-Fig. No.

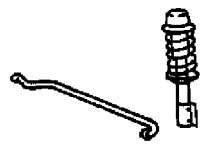
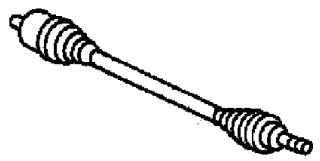
Front Suspension

Suspension, Front Fig. 2 - 110
 Sway Bar, Front and Suspension Crossmember Fig. 2 - 120

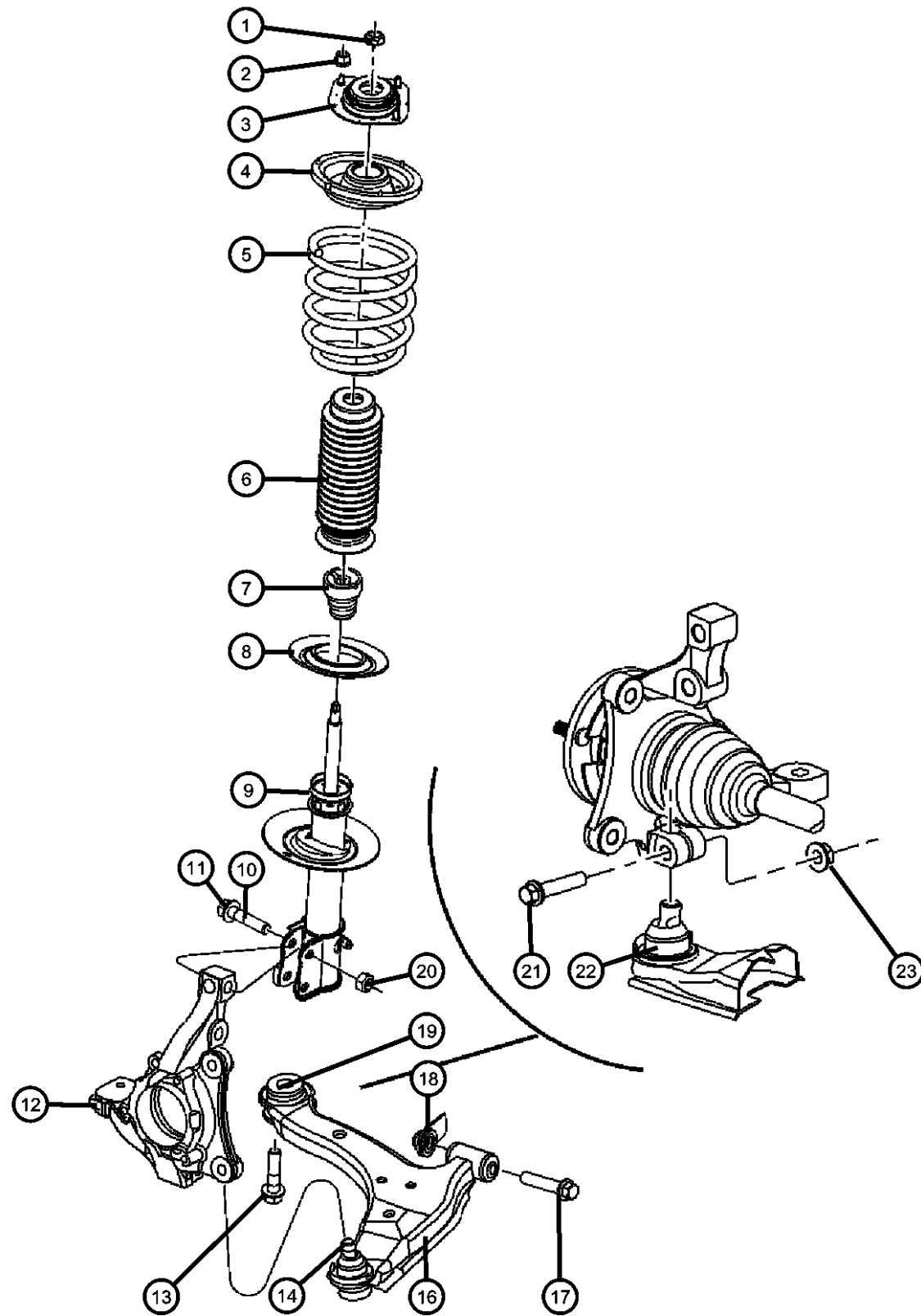
Front Axle Drive Shafts

Shaft, Front Drive Fig. 2 - 210



<p>002-100 Front Suspension</p> 	<p>002-200 Front Axle Drive Shafts</p> 		
--	---	--	--

Suspension,Front
Figure 2-110



ITEM	PART NUMBER	QTY	LINE	SERIES	BODY	ENGINE	TRANS	TRIM	DESCRIPTION
------	-------------	-----	------	--------	------	--------	-------	------	-------------

Note:Sales Codes
 [DDD]=5-Speed Heavy Duty Manual Transmisssion
 [DD5]=5-Speed Manual Transmission
 [DGL]=4-Speed Automatic Transmission,41TE
 [EDV]=2.4L 4 Cylinder DOHC 16Valve HO Turbo Engine
 [EDZ]=2.4L 4 Cylinder DOHC 16Valve SMPI Engine
 [ZCC] Through [ZRK] are Sales codes for the Springs, See your vin number

1	06505116AA	2							NUT, M14X2, Strut to Strut Rod, Mounting
2	06101831	6							NUT, Hex Flange, M8x1.25
3	05272226	2							MOUNT, StrutUpper
4	05272227	2							SEAT AND BEARING, Suspension Strut
5									SPRING, Front Suspension Coil
	04656523AD	1							[ZCC,ZRC]
	04656524AD	1							[ZCD,ZRD]
	04656525AD	1							[ZCE,ZRE]
	04656526AD	1							[ZCF,ZRF]
	04656527AC	1							[ZCG,ZRG]
	04656529AC	1							[ZCJ,ZRJ]
	05105051AB	1			27				[ZBA,ZPA]
	04656528AC	1							[ZCH,ZRH]
	05105054AB	1			27				[ZBD,ZPD]
	05105052AB	1			27				[ZBB,ZPB]
	05105053AB	1			27				[ZBC,ZPC]
	05105057AB	1			27				[ZBG,ZPG]
	05105055AB	1			27				[ZBE,ZPE]
	05105056AB	1			27				[ZBF,ZPF]
	05272462AC	1			44				[ZEB,ZTB]
	05105058AB	1			27				[ZBH,ZPH]
	05105059AB	1			27				[ZBJ,ZPJ]
	05272461AC	1			44				[ZEA,ZTA]
	05272465AC	1			44				[ZEE,ZTE]
	05272463AC	1			44				[ZEC,ZTC]

PT CRUISER (PT)

SERIES LINE
 H = HIGHLINE C = CHRYSLER
 P = PREMIUM Z = CHRYSLER (RHD)
 S = SPORT
 X = SPECIAL

BODY
 27 = 2-DR CONVERTIBLE
 44 = HATCHBACK/QUAD CAB CHASSIS LWB

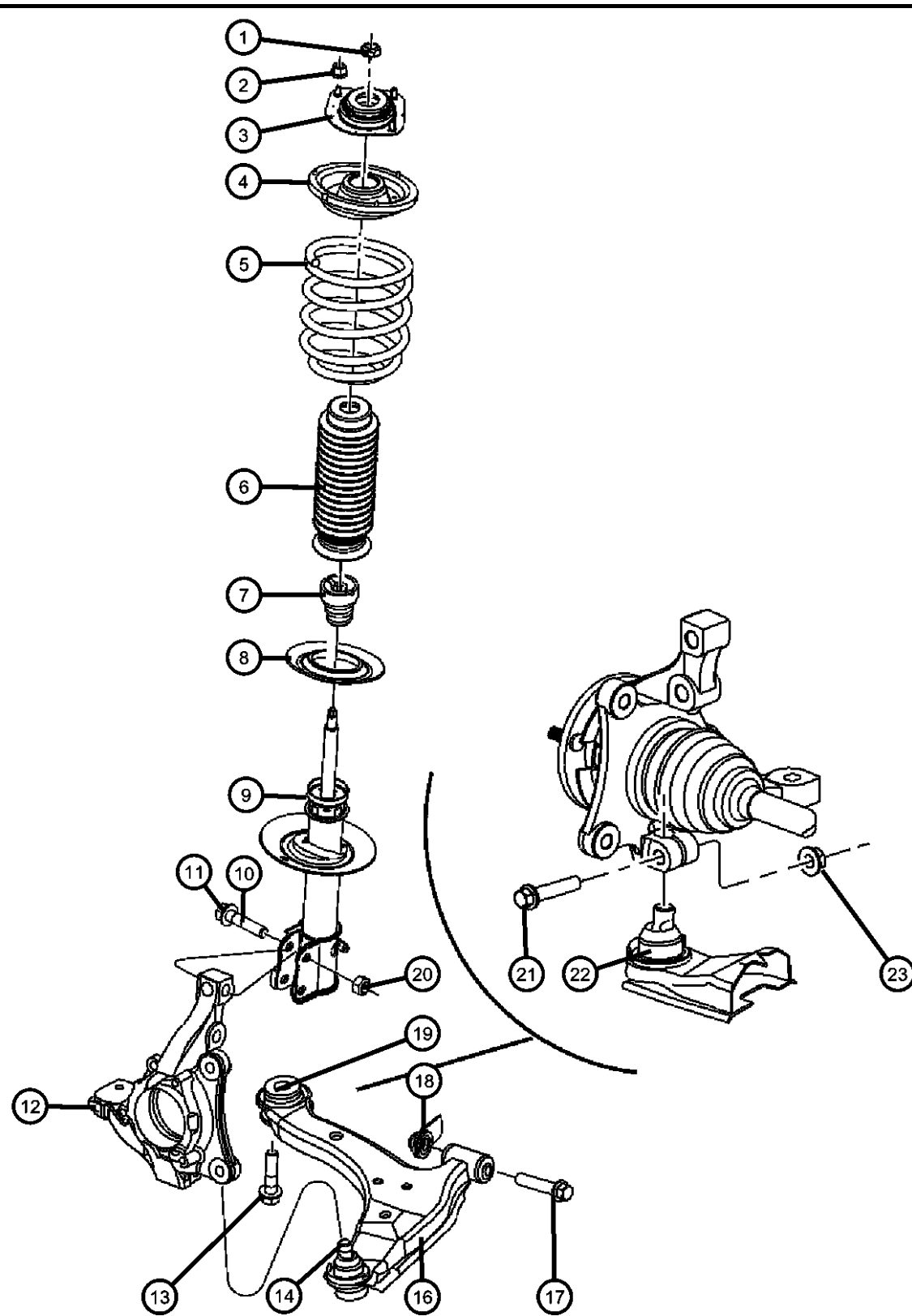
ENGINE
 EDJ = 2.2L 4 Cyl Turbo Diesel Engine
 EDT = 2.4L 4 Cyl DOHC 16V Turbo Engine
 EDV = 2.4L 4 Cyl DOHC 16V HO Turbo Engine
 EDZ = 2.4L 4 Cyl DOHC 16V SMPI Engine
 EJD = 1.6L 4 Cyl SOHC 16V SMPI

TRANSMISSION
 DGL = 4-Speed Automatic Transmission
 DD5 = 5-Speed Manual Transmission
 DDD = 5-Speed HD Manual Transmission

AR = use ase required - = Non illustrated part

2006 PT

Suspension,Front
Figure 2-110



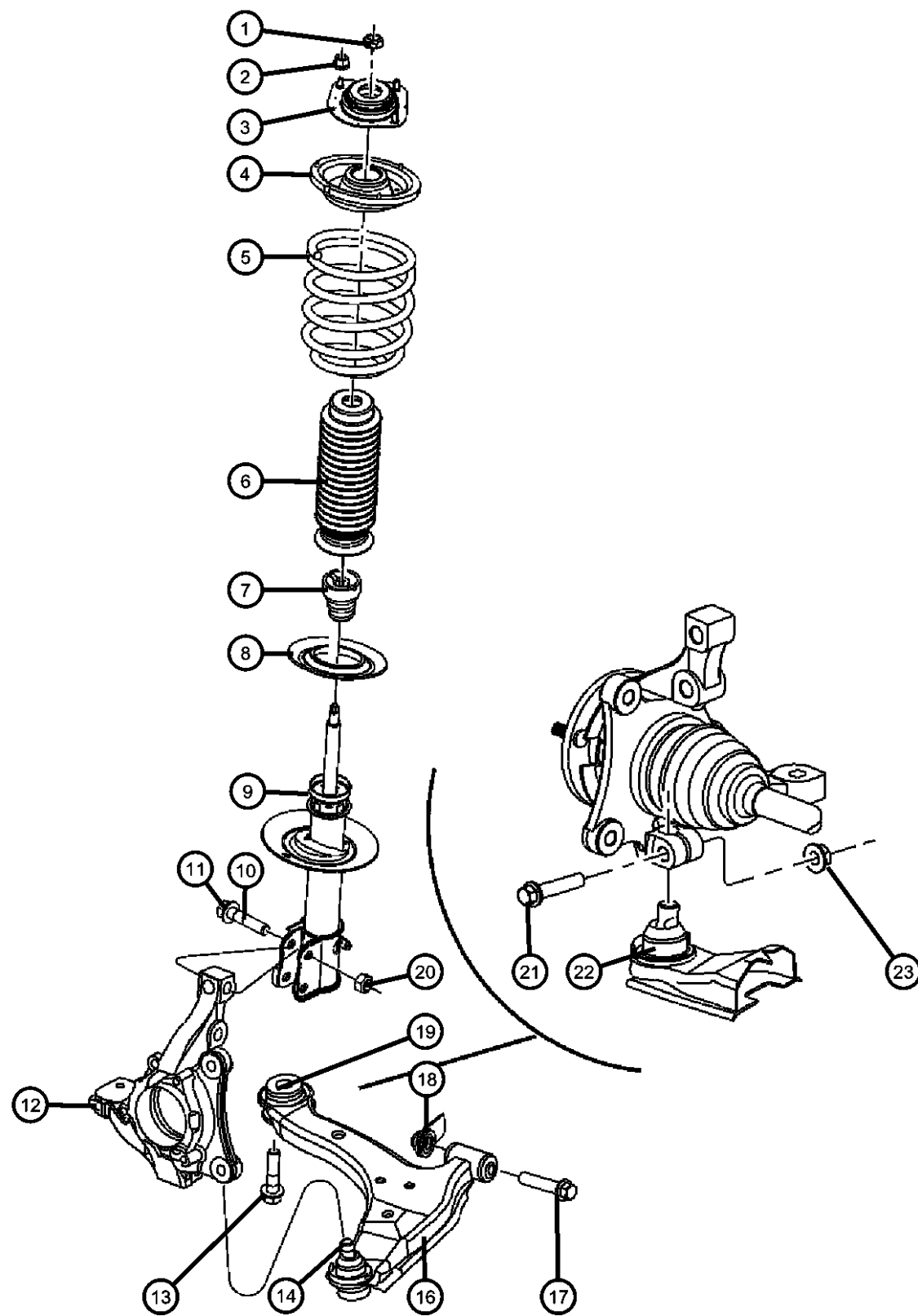
ITEM	PART NUMBER	QTY	LINE	SERIES	BODY	ENGINE	TRANS	TRIM	DESCRIPTION
	05272464AC	1			44				[ZED,ZTD]
	05272468AC	1			44				[ZEH,ZTH]
	05272466AC	1			44				[ZEF,ZTF]
	05272467AC	1			44				[ZEG,ZTG]
	05272469AC	1			44				[ZEJ,ZTJ]
	05272710AB	1							[ZCK,ZRK]
6	04656943AB	2							SHIELD, Strut, Dust
7	05272223AC	2							BUMPER, Jounce
8	04656083	2							ISOLATOR, SpringLower
9									DAMPER, Strut
	05105111AA	2			27				[SDC,SDE]
	04656449AD	2			44				[SDC]
	0SG81592								Mopar V-Line Alternative Part
	04656459AD	2				EDZ, EJD			[SDF]
	0SG81592								Mopar V-Line Alternative Part
	04656697AD	2							[SDA]
	0SG81592								Mopar V-Line Alternative Part
	05085323AA	2			44				[SDD]
	0SG81592								Mopar V-Line Alternative Part
	05272874AB	2			44	EDJ			[SDF]
		2			27				[SDD]
	05272981AC	2			44				[SDE]
10	06505525AA	4							SCREW, Strut to Knuckle, Mounting
11	05019074AA	4							BOLT PACKAGE, Camber Adjustment, Strut to Knuckle-Contains 2 Each Items 10,20, Mounting
12									KNUCKLE, Front
	05272478AB	1	C			EDZ, EJD	DD5		Right
	05272479AB	1	C			EDZ, EJD	DD5		Left
	05272486AB	1				EDJ, EDT	DDD, DGL		Right
		1	Z		44	EDZ	DD5		Right

PT CRUISER (PT)

SERIES	LINE	BODY	ENGINE	TRANSMISSION
H = HIGHLINE	C = CHRYSLER	27 = 2-DR CONVERTIBLE	EDJ = 2.2L 4 Cyl Turbo Diesel Engine	DGL = 4-Speed Automatic Transmission
P = PREMIUM	Z = CHRYSLER (RHD)	44 = HATCHBACK/QUAD CAB CHASSIS LWB	EDT = 2.4L 4 Cyl DOHC 16V Turbo Engine	DD5 = 5-Speed Manual Transmission
S = SPORT			EDV = 2.4L 4 Cyl DOHC 16V HO Turbo Engine	DDD = 5-Speed HD Manual Transmission
X = SPECIAL			EDZ = 2.4L 4 Cyl DOHC 16V SMPI Engine	
			EJD = 1.6L 4 Cyl SOHC 16V SMPI	

AR = use ase required - = Non illustrated part

Suspension,Front
Figure 2-110



ITEM	PART NUMBER	QTY	LINE	SERIES	BODY	ENGINE	TRANS	TRIM	DESCRIPTION
		1				EDV	DDD		Right
		1				EDZ	DGL		Right
	05272487AB	1				EDV	DDD		Left
		1	Z		44	EDZ	DD5		Left
		1				EDJ, EDT	DDD, DGL		Left
	05272492AB	1				EDZ	DGL		Left
		1				EDV	DGL		Right
	05272493AB	1	Z		44	EDZ	DGL		Right
		1				EDV	DGL		Left
		1	Z		44	EDZ	DGL		Left
13	06506039AA	2							SCREW, Hex Head, LCA Rear Pivot, Mounting
14	04656010AD	1							BALL JOINT, Lower Control Arm
-15	04743135AA	1							FITTING, Ball Joint, Zirc
16									ARM, Control
	04656730AL	1							Includes Items 14,15,22,19, Right
	04656731AL	1							Includes Items 14,15,22,19, Left
17	06504742	2							SCREW AND WASHER, Hex Head, M14 x 2 x 115.0, LCA Front Pivot, Mounting
18	06505595AA	2							NUT, M14X2, LCA Front Pivot Screw, Mounting
19	04656012AD	1							BUSHING, Control Arm
20	06505232AA	4							NUT, Strut to Knuckle, Mounting
21	06501248	2							BOLT, Hex Flange Head, M12x1.75x57, Front Knuckle to Lower Control Arm
22	04656464AA	1							SEAL, Ball Joint
23	06501247	2							NUT, M12x1.75, Front Knuckle to Lower Control Arm

PT CRUISER (PT)
 SERIES LINE
 H = HIGHLINE C = CHRYSLER
 P = PREMIUM Z = CHRYSLER (RHD)
 S = SPORT
 X = SPECIAL

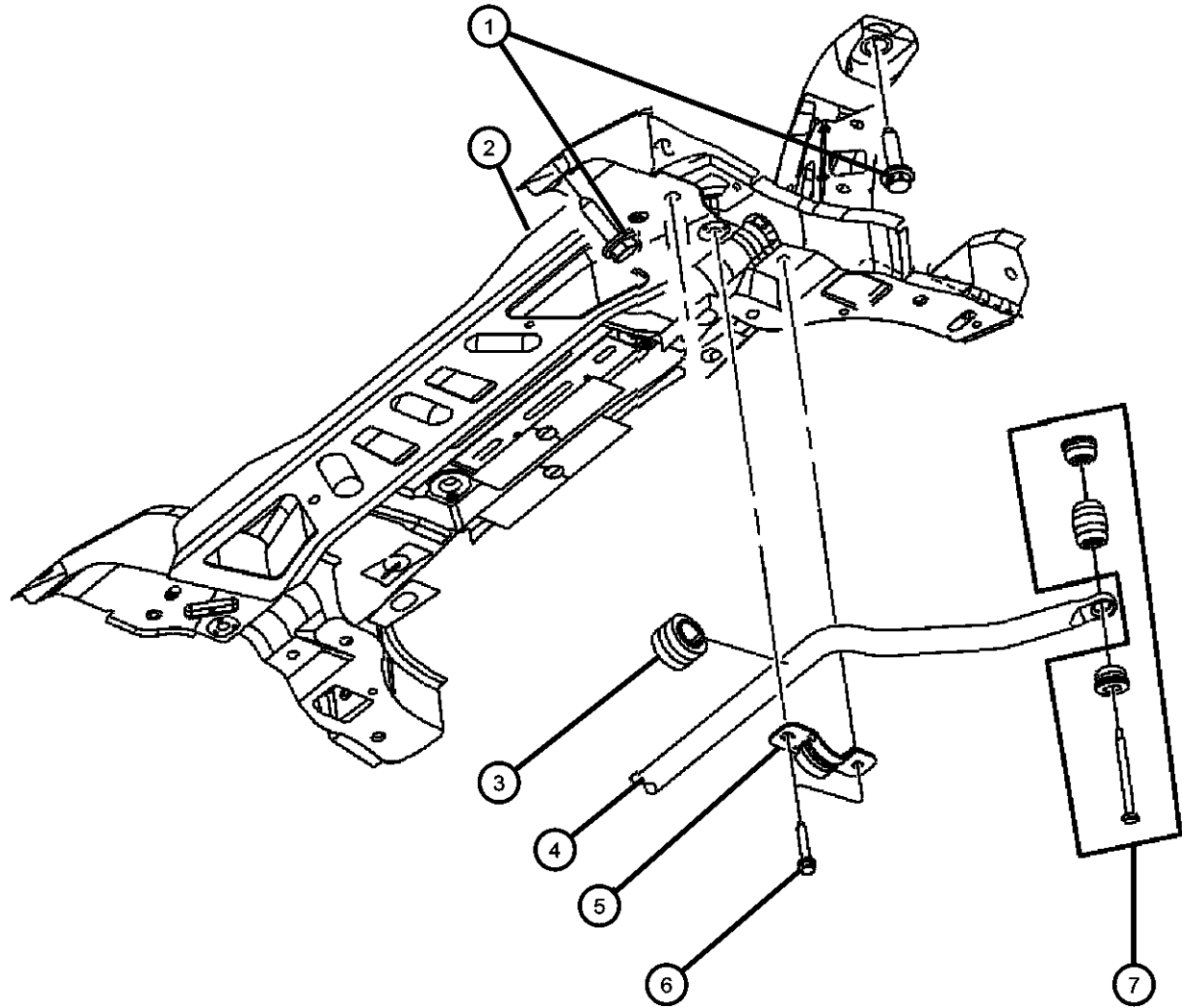
BODY
 27 = 2-DR CONVERTIBLE
 44 = HATCHBACK/QUAD CAB CHASSIS LWB

ENGINE
 EDJ = 2.2L 4 Cyl Turbo Diesel Engine
 EDT = 2.4L 4 Cyl DOHC 16V Turbo Engine
 EDV = 2.4L 4 Cyl DOHC 16V HO Turbo Engine
 EDZ = 2.4L 4 Cyl DOHC 16V SMPI Engine
 EJD = 1.6L 4 Cyl SOHC 16V SMPI

TRANSMISSION
 DGL = 4-Speed Automatic Transmission
 DD5 = 5-Speed Manual Transmission
 DDD = 5-Speed HD Manual Transmission

AR = use ase required - = Non illustrated part

Sway Bar,Front and Suspension Crossmember
Figure 2-120



ITEM	PART NUMBER	QTY	LINE	SERIES	BODY	ENGINE	TRANS	TRIM	DESCRIPTION
Note: Sales Codes [SDA]=Normal Duty Suspension [SDC]=Touring Suspension [SDD]=Performance Suspension [SDE]=Sport Suspension [SDF]=Euro Suspension									
1									SCREW, Hex Head
	06506038AA	2							Crossmember to Siderail Front, Mounting
		2							Crossmember to Siderail Rear, Mounting
2									CROSSMEMBER, Front Suspension
	05272888AF	1				EJD			
	05272962AD	1				EDZ			
		1				EDT, EDV	DGL		
	05272970AH	1				EDJ, EDT, EDV	DDD		
3									CUSHION, Sway Eliminator
	05272506AA	2			44				[SDF]
	05272507AA	2			44				[SDA,SDC,SDE]
		2			27				[SDD]
	05272646AA	2			27				[SDC,SDE,SDF]
		2			44				[SDD]
4									BAR, Front Sway
	04656102	1			44				[SDA,SDC,SDE]
	04656856AA	1			44				[SDF]
	05085452AA	1			27				[SDD]
	05085656AA	1			44				[SDD]
		1			27				[SDF]
	05272535AA	1			27				[SDC,SDE]
5	04656513AA	2							CLAMP, Stabilizer Bar
6	06505622AA	4							SCREW, Hex Head
7	05272324AC	1							LINK, Sway EliminatorRight or Left

PT CRUISER (PT)

SERIES LINE
H = HIGHLINE C = CHRYSLER
P = PREMIUM Z = CHRYSLER (RHD)
S = SPORT
X = SPECIAL

BODY
27 = 2-DR CONVERTIBLE
44 = HATCHBACK/QUAD
CAB CHASSIS LWB

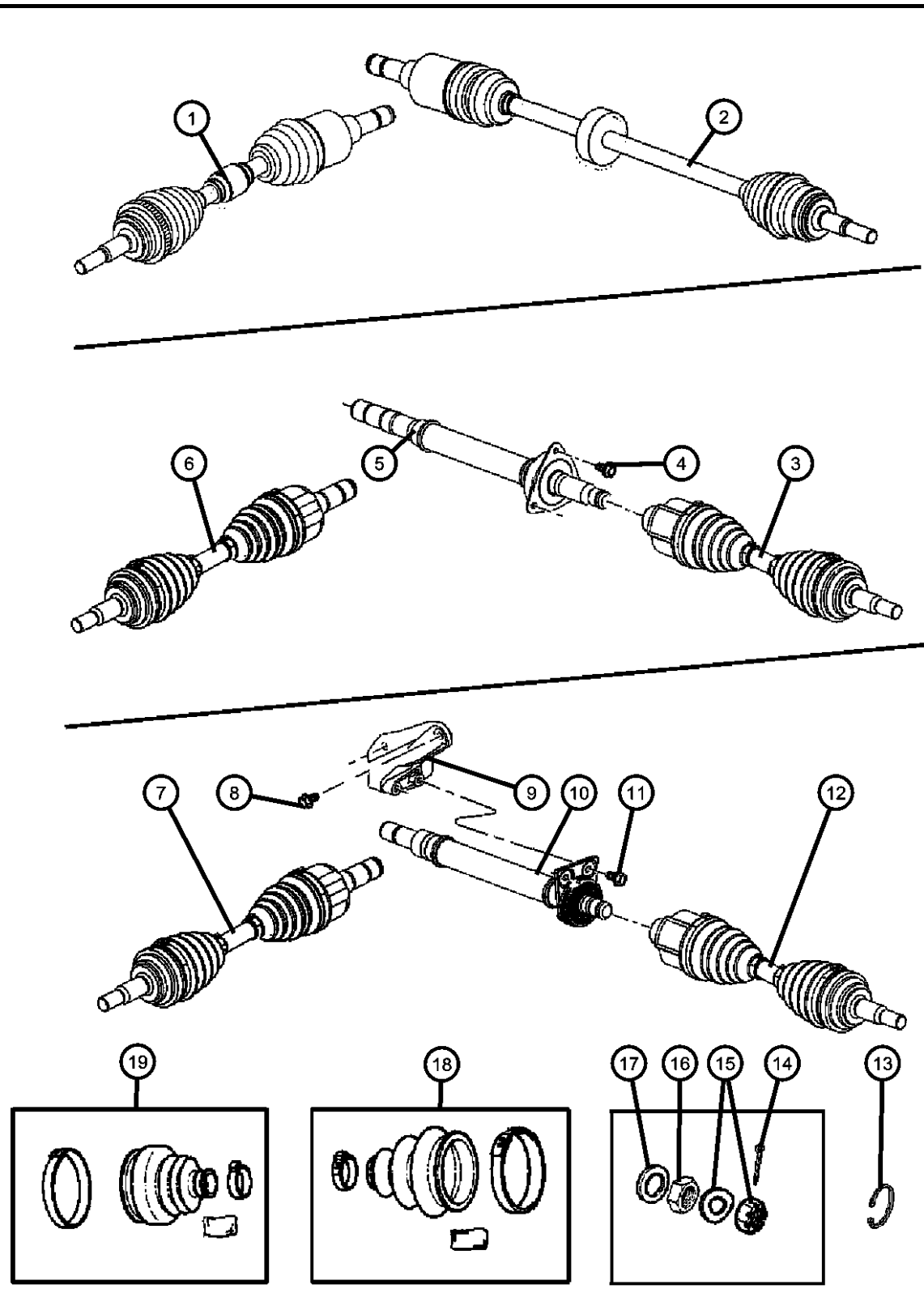
ENGINE
EDJ = 2.2L 4 Cyl Turbo Diesel Engine
EDT = 2.4L 4 Cyl DOHC 16V Turbo Engine
EDV = 2.4L 4 Cyl DOHC 16V HO Turbo Engine
EDZ = 2.4L 4 Cyl DOHC 16V SMPI Engine
EJD = 1.6L 4 Cyl SOHC 16V SMPI

TRANSMISSION
DGL = 4-Speed Automatic Transmission
DD5 = 5-Speed Manual Transmission
DDD = 5-Speed HD Manual Transmission

AR = use ase required - = Non illustrated part

2006 PT

**Shaft,Front Drive
Figure 2-210**



ITEM	PART NUMBER	QTY	LINE	SERIES	BODY	ENGINE	TRANS	TRIM	DESCRIPTION
Note:Sales Codes [BRB]=Power Front Disc/Rear Drum Brakes [BRK]=Anti-Lock Front Disc/Rear Drum Brakes [BRT]=Anti-Lock 4-Wheel Disc Brakes [BR4]=Anti-Lock 4-Wheel Disc Performance Brakes [DDD]=5-Speed Heavy Duty Manual Transmission [DGL]=4-Speed Automatic Transmission,41TE [EDJ]=2.2L 4 Cylinder Turbo Diesel Engine [EDT]=2.4L 4 Cylinder DOHC 16V Turbo Engine [EDV]=2.4L 4 Cylinder DOHC 16Valve HO Turbo Engine [EDZ]=2.4L 4 Cylinder DOHC 16Valve SMPI Engine [EJD]=1.6L 4 CYL SOHC 16V SMPI									
1	04668919AA	1				EDZ, EJD			SHAFT, Axle Half, [BRB,BRK,BRT], Left
2	04668918AA	1				EDZ, EJD			SHAFT, Axle Half, [BRB,BRK,BRT], Right
3	05274806AC	1				EDJ			SHAFT, Axle Half, [BRT,BRK], Right
4	06101452	3				EDJ			SCREW AND WASHER, Hex Head, M8x1.25x20, Intermediate Shaft to Engine Bracket, Mounting
5	05274911AC	1				EDJ			SHAFT, Intermediate
6	05274807AC	1				EDJ			SHAFT, Axle Half, [BRT,BRK], Left
7									SHAFT, Axle Half
	05085060AD	1				EDV	DDD		[BR4], Left
	05274711AD	1				EDT, EDV	DGL		[BRB,BR4], Left
8	06101503	2				EDT, EDV			SCREW AND WASHER, Hex Head, M10x1.5x25, Intermediate Shaft Bracket to Block, Mounting
9	04668874AB	1				EDT, EDV			BRACKET, Intermediate ShaftMounting
10									SHAFT, Intermediate
	05085016AA	1				EDV	DDD		
	05274912AC	1				EDT, EDV	DGL		
11	06101452	2				EDT, EDV			SCREW AND WASHER, Hex Head, M8x1.25x20, Intermediate Shaft to Engine Bracket, Mounting
12									SHAFT, Axle Half
	05085064AC	1				EDV	DDD		[BR4], Right
	05286710AD	1				EDT, EDV	DGL		[BRB,BR4], Right

PT CRUISER (PT)
 SERIES LINE
 H = HIGHLINE C = CHRYSLER
 P = PREMIUM Z = CHRYSLER (RHD)
 S = SPORT
 X = SPECIAL

BODY
 27 = 2-DR CONVERTIBLE
 44 = HATCHBACK/QUAD CAB CHASSIS LWB

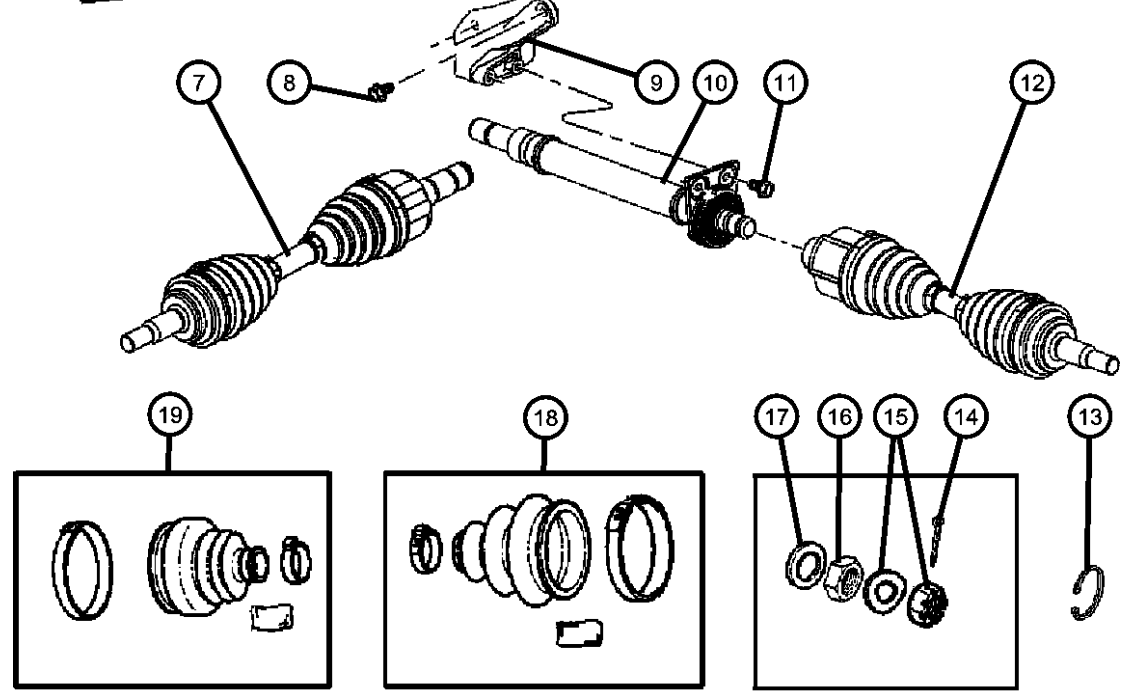
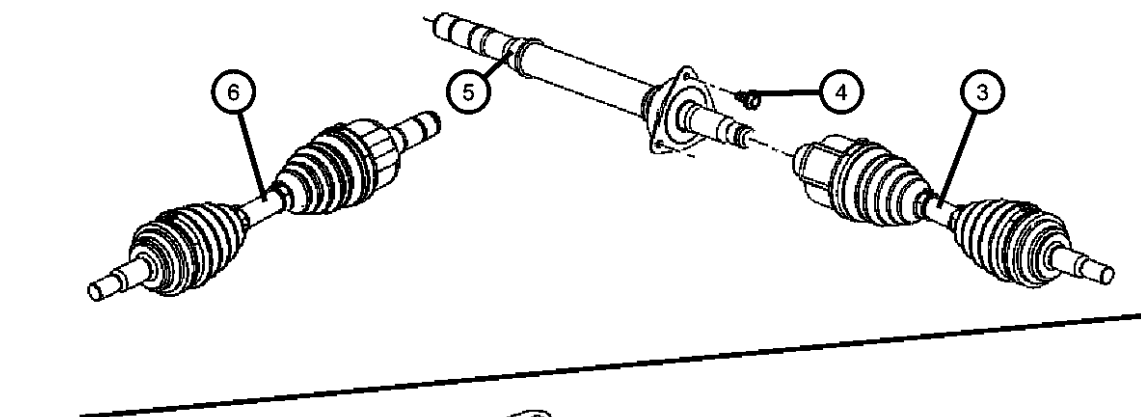
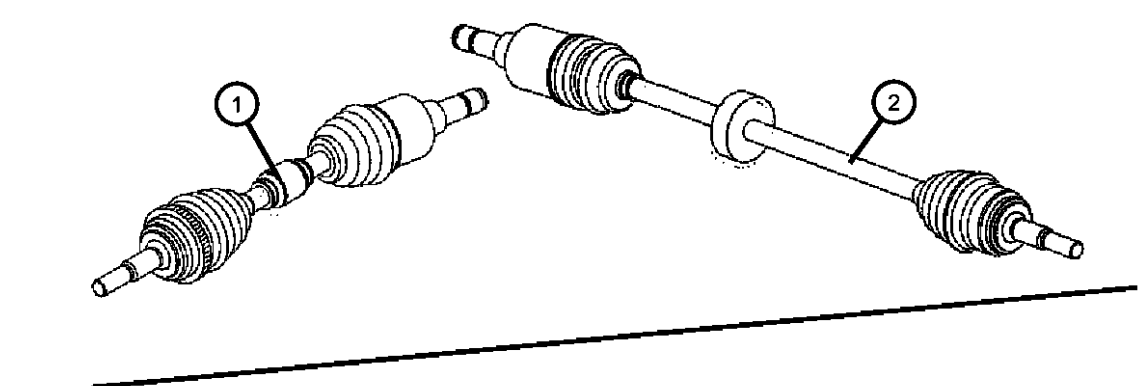
ENGINE
 EDJ = 2.2L 4 Cyl Turbo Diesel Engine
 EDT = 2.4L 4 Cyl DOHC 16V Turbo Engine
 EDV = 2.4L 4 Cyl DOHC 16V HO Turbo Engine
 EDZ = 2.4L 4 Cyl DOHC 16V SMPI Engine
 EJD = 1.6L 4 Cyl SOHC 16V SMPI

TRANSMISSION
 DGL = 4-Speed Automatic Transmission
 DD5 = 5-Speed Manual Transmission
 DDD = 5-Speed HD Manual Transmission

AR = use ase required - = Non illustrated part

Shaft,Front Drive
Figure 2-210

ITEM	PART NUMBER	QTY	LINE	SERIES	BODY	ENGINE	TRANS	TRIM	DESCRIPTION
13	04797704	1				EDV	DDD		CIRCLIP, Half Shaft [BR4]
		1				EDT, EDV	DGL		[BRB,BR4]
		1				EDJ			[BRT,BRK]
		1				EDZ, EJD			[BRB,BRT,BRK]
14	06500336	2							PIN, Cotter, M5x36.00
15	04293167	2							NUT AND WASHER PACKAGE
16	06503685	2							NUT
17	06503352	2							WASHER, Flat, M23x38.0x405
18	05083090AA	1				EDV	DDD		BOOT KIT, Half Shaft, Outer [BR4], Right or Left
		1				EDT, EDV	DGL		[BRB,BR4], Right or Left
		1				EDJ			[BRT,BRK], Right or Left
	05018063AA	1				EDZ, EJD			[BRB,BRT,BRK], Right or Left
19	05014912AA	1				EDJ			BOOT KIT, Half Shaft, Inner [BRT,BRK], Right or Left
	05018065AA	1				EDZ, EJD			[BRB,BRT,BRK], Left
	05083089AA	1				EDV	DDD		[BR4], Right or Left
		1				EDT, EDV	DGL		[BRB,BR4], Right or Left
	05018064AA	1				EDZ, EJD			[BRB,BRT,BRK], Right



PT CRUISER (PT)
 SERIES LINE BODY ENGINE TRANSMISSION
 H = HIGHLINE C = CHRYSLER 27 = 2-DR CONVERTIBLE EDJ = 2.2L 4 Cyl Turbo Diesel DGL = 4-Speed Automatic
 P = PREMIUM Z = CHRYSLER (RHD) 44 = HATCHBACK/QUAD Engine Transmission
 S = SPORT DD5 = 5-Speed Manual Transmission
 X = SPECIAL EDV = 2.4L 4 Cyl DOHC 16V Turbo Engine DDD = 5-Speed HD Manual
 HO Turbo Engine Transmission
 EDZ = 2.4L 4 Cyl DOHC 16V
 SMPI Engine
 EJD = 1.6L 4 Cyl SOHC 16V
 SMPI

AR = use ase required - = Non illustrated part

Group - 4

Parking Brake

Group - 4 Parking Brake

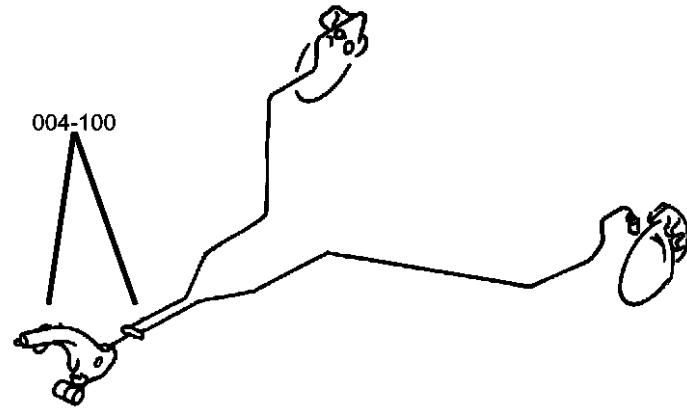
Illustration Title

Group-Fig. No.

Parking Brake Lever and Cables

Park Brake Lever and Cables Fig. 4 - 110

Park Brake Assembly, Disc Fig. 4 - 120



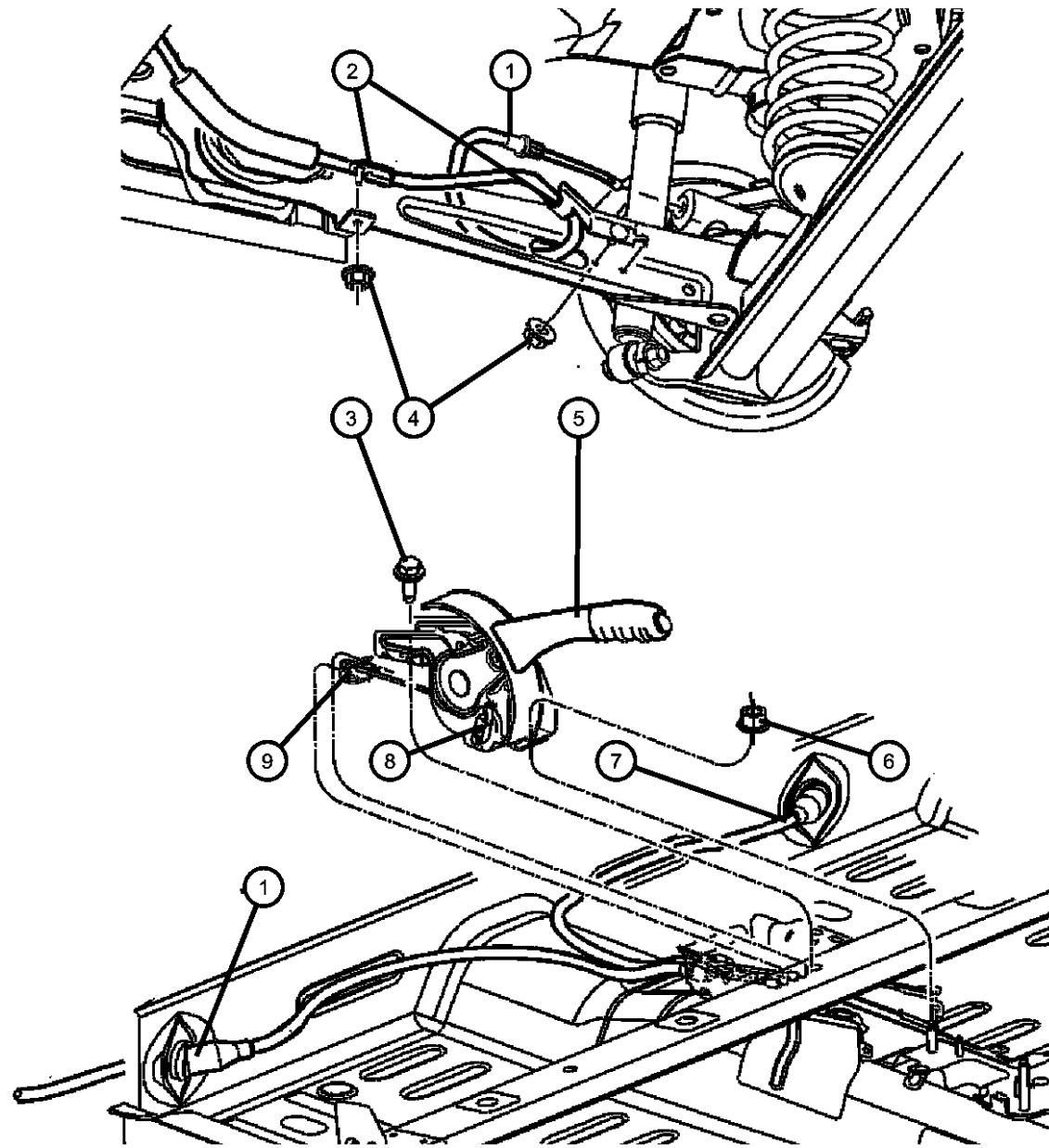
004-100
Parking Brake Lever and Cables



Park Brake Lever and Cables
Figure 4-110

ITEM	PART NUMBER	QTY	LINE	SERIES	BODY	ENGINE	TRANS	TRIM	DESCRIPTION
------	-------------	-----	------	--------	------	--------	-------	------	-------------

Note: Sale Codes
 [BRB]=Power Front Disc/Rear Drum
 [BRK]=Anti-Lock Front Disc/Rear Drum Brakes
 [BRT]= Anti-Lock 4-Wheel Disc
 [BR4]= Anti-Lock 4-Wheel Disc,Performance



1	05273220AA	1							CABLE, Parking Brake [BRK] Or [BRB], Right
	05273964AC	1							[BRT] Or [BR4], Right
2	05273964AC	1							CLIP, Service with Cable, (NOT SERVICED),
3	06503543	1							BOLT AND CONED WASHER, Hex Head, M8x1.25x25, Park Brake Lever to Floor, Mounting
4	06104715AA	4							NUT, Parking Brake Cable to LCA, Mounting
5	1AD86DX9AB	1							LEVER, Parking Brake
6	06505669AA	1							NUT, Hex Flange, Park Brake Lever to Floor, Mounting
7									CABLE, Parking Brake
	05273221AA	1							[BRK] Or [BRB], Left
	05273965AC	1							[BRT] Or [BR4], Left
8	05209922	1							SWITCH, Parking Brake
9	05209922	1							EQUALIZER AND CLIP, Parking Brake Cable, Service in Lever, (NOT SERVICED)

PT CRUISER (PT)

SERIES LINE
 H = HIGHLINE C = CHRYSLER
 P = PREMIUM Z = CHRYSLER (RHD)
 S = SPORT
 X = SPECIAL

BODY
 27 = 2-DR CONVERTIBLE
 44 = HATCHBACK/QUAD
 CAB CHASSIS LWB

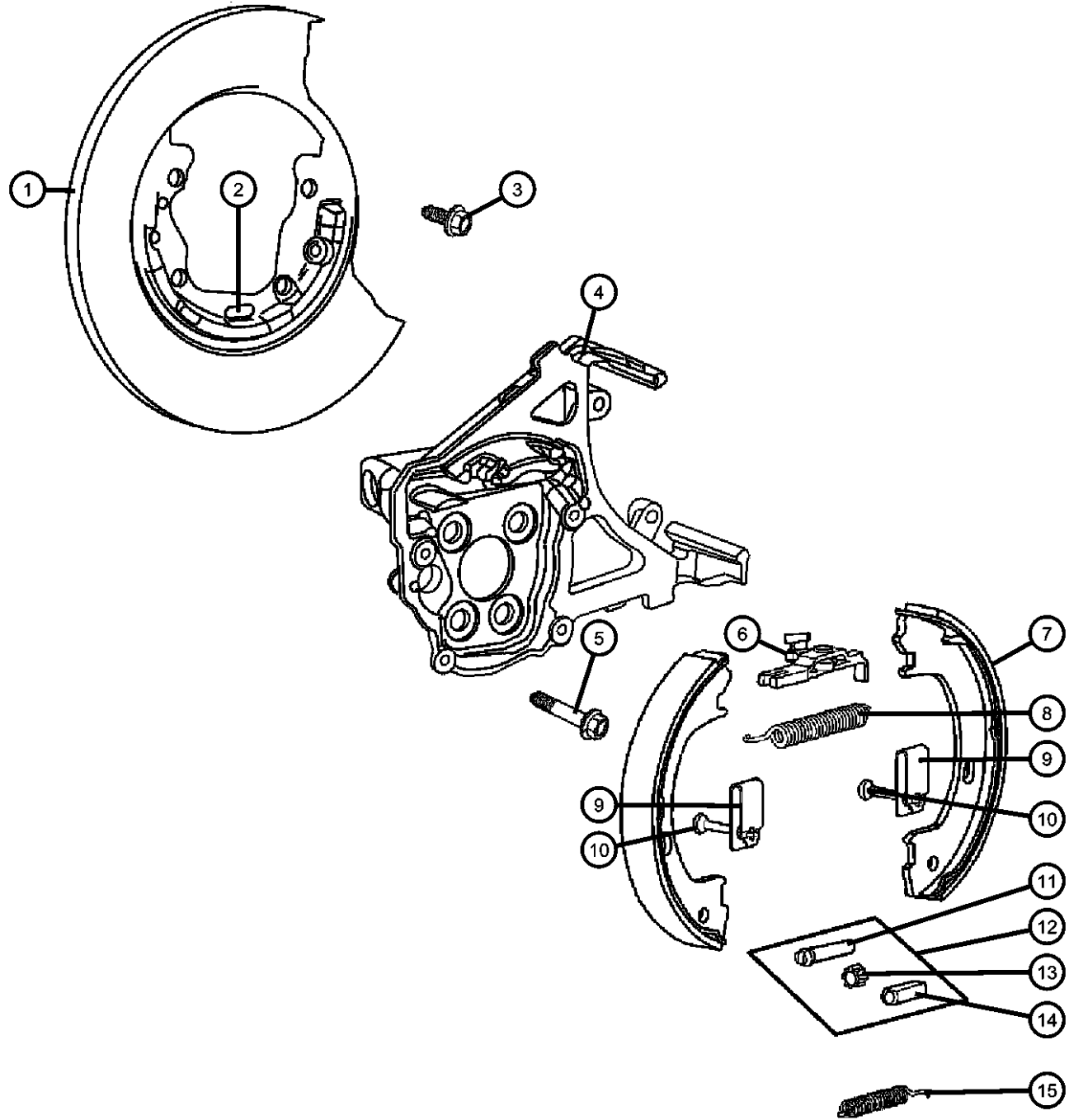
ENGINE
 EDJ = 2.2L 4 Cyl Turbo Diesel Engine
 EDT = 2.4L 4 Cyl DOHC 16V Turbo Engine
 EDV = 2.4L 4 Cyl DOHC 16V HO Turbo Engine
 EDZ = 2.4L 4 Cyl DOHC 16V SMPI Engine
 EJD = 1.6L 4 Cyl SOHC 16V SMPI

TRANSMISSION
 DGL = 4-Speed Automatic Transmission
 DD5 = 5-Speed Manual Transmission
 DDD = 5-Speed HD Manual Transmission

AR = use ase required - = Non illustrated part

2006 PT

**Park Brake Assembly, Disc
Figure 4-120**



ITEM	PART NUMBER	QTY	LINE	SERIES	BODY	ENGINE	TRANS	TRIM	DESCRIPTION
1									SHIELD, Brake
	04728110	1							Right
	04728111	1							Left
2	04238721	1							PLUG, Brake Adjusting Hole
3	04723981	4							SCREW, Rear Brake Dust Shield to AdapterMounting
4									ADAPTER, Disc Brake Caliper
	05073646AA	1							Right
	05073649AA	1							Left
5	06502146	8							BOLT, Hex Head, Adapter, Mounting
6									LEVER, Parking Brake Adjusting
	05073645AA	1							Right
	05073648AA	1							Left
7	05073647AA	1							SHOE AND LINING, Parking Brake
	BHKP7300								Mopar Parking Brake Hardware Kit
	V2013036								Mopar V-Line Alternative Part
8	04383541	1							SPRING, Park Brake Shoe Return
9	04383543	2							CLIP, Brake Shoe Hold Down
10	04238733	2							PIN, Brake Shoe Hold Down
11	04509503	1							SCREW, Parking Brake
12	05015001AA	1							ADJUSTER PACKAGE
13	04383539	1							NUT, Parking Brake Adjusting
14	04509504	1							SOCKET, Brake Adjusting Screw
15	05014930AA	1							SPRING, Park Brake Shoe Return

PT CRUISER (PT)

SERIES LINE
H = HIGHLINE C = CHRYSLER
P = PREMIUM Z = CHRYSLER (RHD)
S = SPORT
X = SPECIAL

BODY
27 = 2-DR CONVERTIBLE
44 = HATCHBACK/QUAD
CAB CHASSIS LWB

ENGINE
EDJ = 2.2L 4 Cyl Turbo Diesel Engine
EDT = 2.4L 4 Cyl DOHC 16V Turbo Engine
EDV = 2.4L 4 Cyl DOHC 16V HO Turbo Engine
EDZ = 2.4L 4 Cyl DOHC 16V SMPI Engine
EJD = 1.6L 4 Cyl SOHC 16V SMPI

TRANSMISSION
DGL = 4-Speed Automatic Transmission
DD5 = 5-Speed Manual Transmission
DDD = 5-Speed HD Manual Transmission

AR = use ase required - = Non illustrated part

2006 PT

Group - 5

Service Brakes

Group - 5 Service Brakes

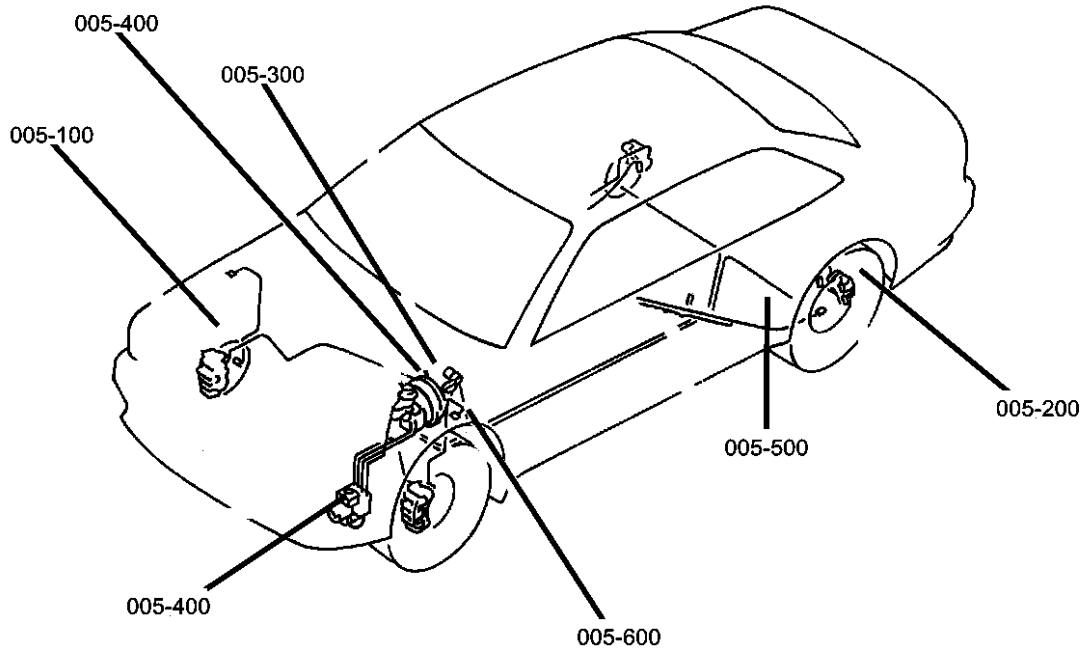


Illustration Title

Group-Fig. No.

Front Brakes

Brakes,Front Fig. 5 - 110

Rear Brakes

Brakes,Rear Drum Fig. 5 - 210

Brakes,Rear Disc Fig. 5 - 220

Power Brake Booster

Brake Booster Fig. 5 - 310

Brake Master Cylinder

Master Cylinder,Brake Fig. 5 - 410

Anti-Lock Brake Control Unit and Front Brake Lines and Hoses-LHD Fig. 5 - 420

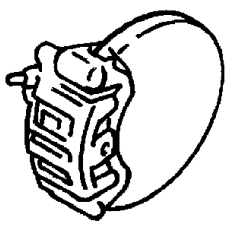
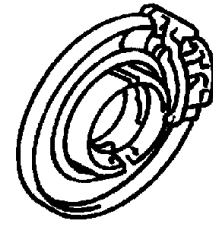
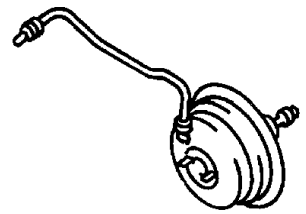
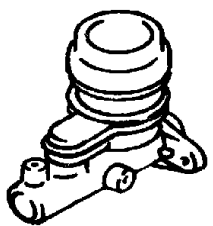
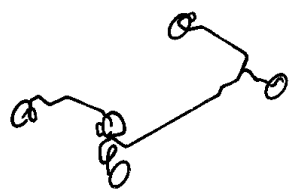
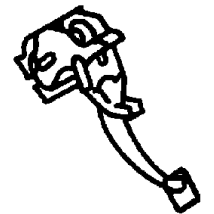
Anti-Lock Brake Control Unit and Front Brake Lines and Hoses-RHD Fig. 5 - 430

Brake Lines and Hoses

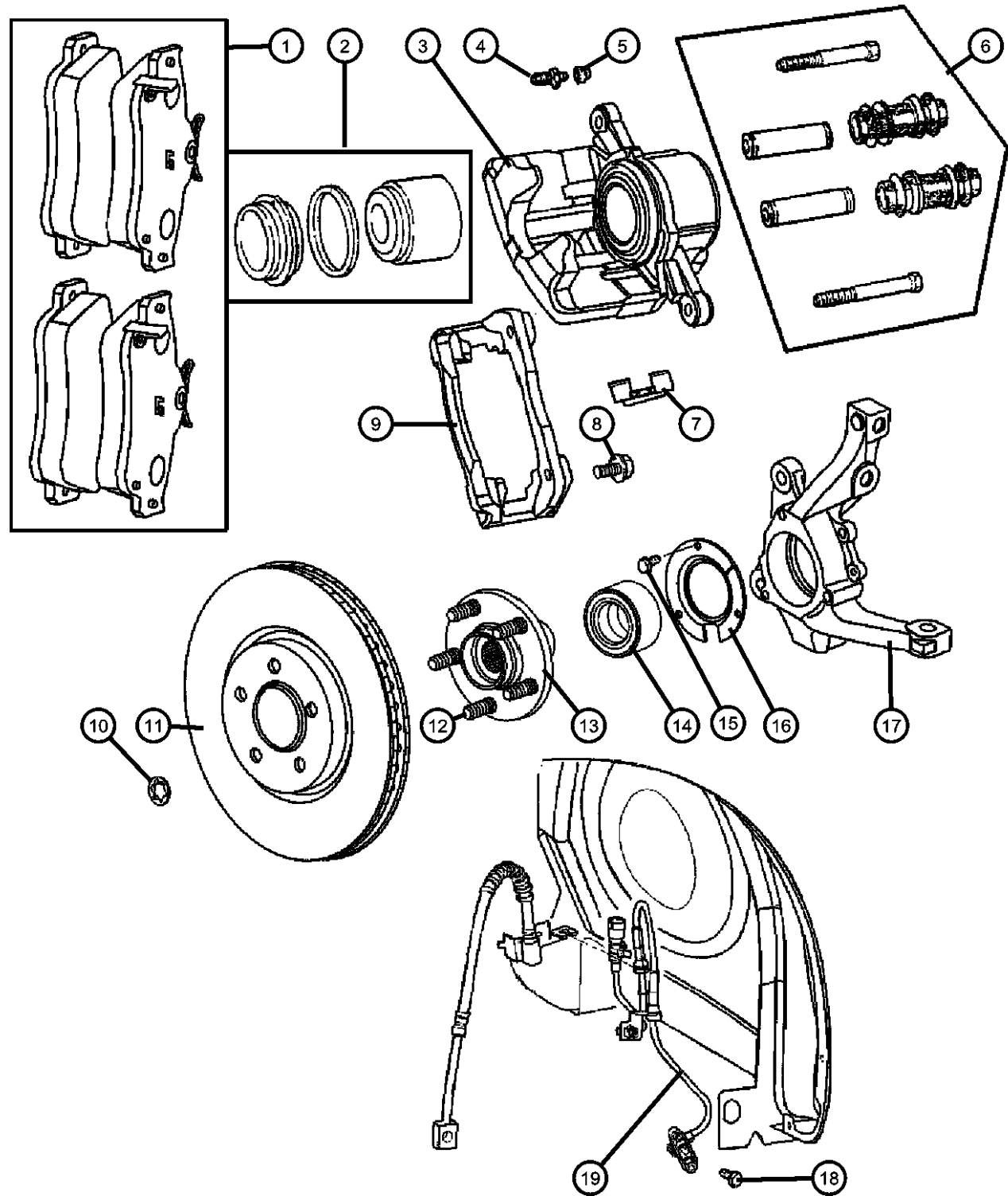
Brake Lines and Hoses,Rear,With or Without ABS Fig. 5 - 510

Brake Pedals

Pedal,Brake Fig. 5 - 610

<p>005-100 Front Brakes</p> 	<p>005-200 Rear Brakes</p> 	<p>005-300 Power Brake Booster</p> 	<p>005-400 Brake Master Cylinder</p> 
<p>005-500 Brake Lines and Hoses</p> 	<p>005-600 Brake Pedals</p> 		

Brakes,Front
Figure 5-110



ITEM	PART NUMBER	QTY	LINE	SERIES	BODY	ENGINE	TRANS	TRIM	DESCRIPTION
------	-------------	-----	------	--------	------	--------	-------	------	-------------

Note:Sales Codes
 [AA4]=Sport Value Group
 [BRB]=Front Disc Rear Drums Brakes
 [BRK]=Anti-Lock Front Disc/Rear Drum Brakes
 [BRT]=4 Wheel Disc Anti Lock Brakes
 [BR4]=Anti-Lock 4-Wheel Disc Performance Brakes
 [DDD]=5-Speed HD Manual
 [DD5]=5-Speed Manual Transmission
 [DGL]=4-Speed Automatic,41TE/41AE
 [EDJ]=2.2L 4 Cylinder Turbo Diesel Engine
 [EDT]=2.4L 4 Cylinder DOHC 16V Turbo Engine
 [EDV]=2.4L 4 Cylinder Turbo
 [EDZ]=2.4L 4 Cylinder
 [EJD]=1.6L 4 CYL SOHC 16V SMPI

1	05083853AA	1							PAD KIT, Disc Brake [BRB,BRK,BRT]
	BHKH5662								Mopar V-Line Alternative Part Disc Hardware
	VE101853								Mopar V-Line Alternative Part E.U. R-90 Regulation Compliant
	V1013843AB								Mopar V-Line Alternative Part
	BHKH5060								Mopar V-Line Alternative Part Caliper Bolts
	V3010841								Mopar V-Line Alternative Part Ceramic
	VCPT0841AA								Make It Ceramic Brake Kit
	VOE83843AA								Make It Original Brake Kit
	VPT13843AA								Make It New Brake Kits
	05086364AA	1							[BR4]
	BHKH5687								Mopar V-Line Alternative Part Disc Hardware
	V1016364								Mopar V-Line Alternative Part
	BHKH5060								Mopar V-Line Alternative Part Caliper Bolts
2	05017842AA	1							PISTON KIT, DISC BRAKE
3	05161514AA	1							CALIPER, Disc Brake [BRB,BRK,BRT], Right
	05161515AA	1							[BRB,BRK,BRT], Left
	05161520AA	1							[BR4], Right

PT CRUISER (PT)

SERIES LINE
 H = HIGHLINE C = CHRYSLER
 P = PREMIUM Z = CHRYSLER (RHD)
 S = SPORT
 X = SPECIAL

BODY
 27 = 2-DR CONVERTIBLE
 44 = HATCHBACK/QUAD
 CAB CHASSIS LWB

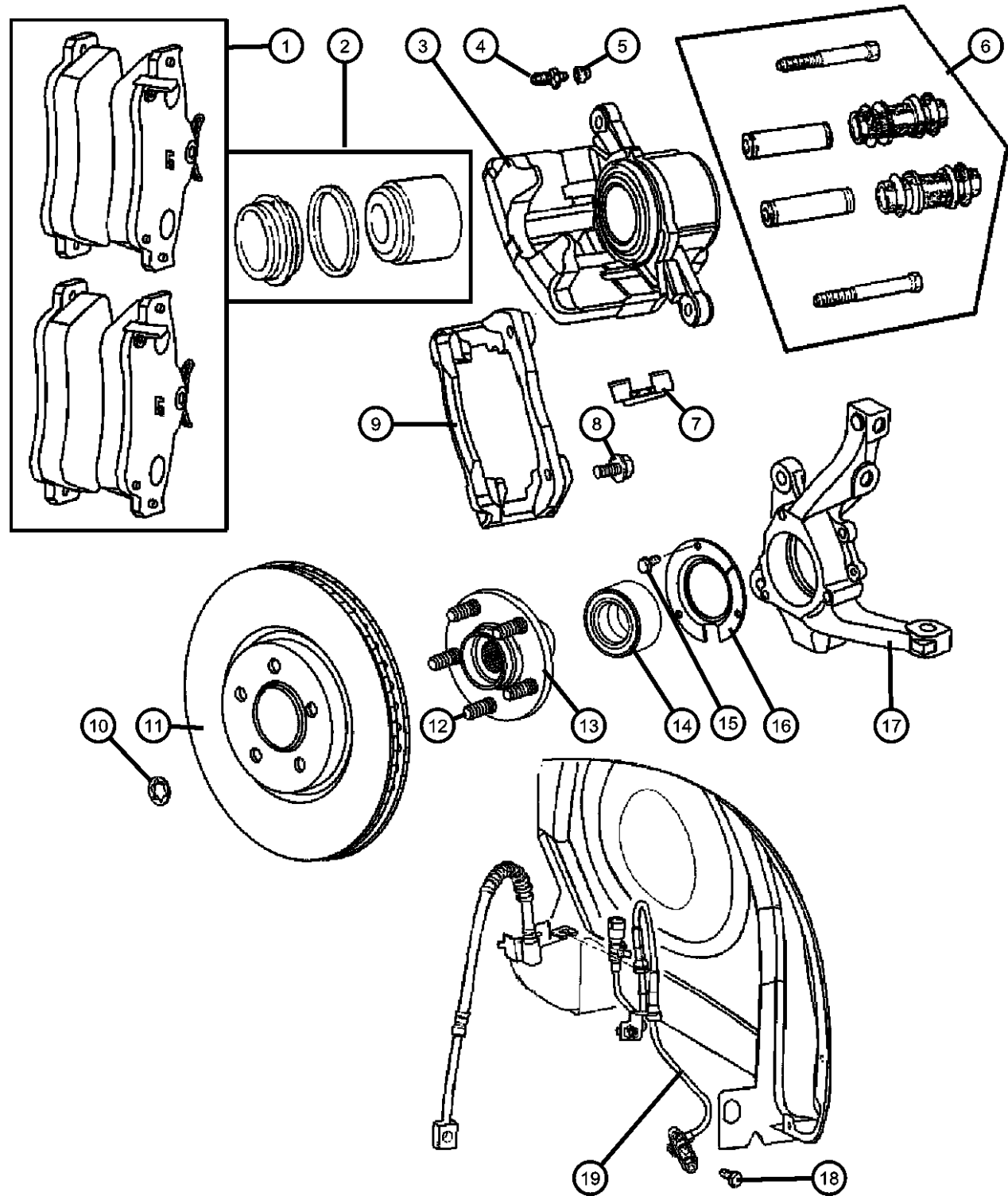
ENGINE
 EDJ = 2.2L 4 Cyl Turbo Diesel
 Engine
 EDT = 2.4L 4 Cyl DOHC 16V
 Turbo Engine
 EDV = 2.4L 4 Cyl DOHC 16V
 HO Turbo Engine
 EDZ = 2.4L 4 Cyl DOHC 16V
 SMPI Engine
 EJD = 1.6L 4 Cyl SOHC 16V
 SMPI

TRANSMISSION
 DGL = 4-Speed Automatic
 Transmission
 DD5 = 5-Speed Manual Transmission
 DDD = 5-Speed HD Manual
 Transmission

AR = use ase required - = Non illustrated part

2006 PT

Brakes,Front
Figure 5-110



ITEM	PART NUMBER	QTY	LINE	SERIES	BODY	ENGINE	TRANS	TRIM	DESCRIPTION
	05161521AA	1							[BR4], Left
	05189294AA	1							[BRB=BRT=BRK] + [XSP], Right
	05189295AA	1							[BRB=BRT=BRK] + [XSP], Left
4	05017844AA	1							BLEEDER SCREW, BrakeRight or Left
5	05017844AA	1							CAP, Bleeder, [Service with the Bleeder Screw], (NOT SERVICED)
6	05017845AA	1							BOLT KIT, Disc brakeRight or Left
7	05086363AA	1							SHIM KIT, Brake, [BR4] Only
8	06505832AA	4							BOLT, Hex Flange Head, Adapter to Knuckle, Mounting
9									BRACKET, Brake Caliper
	05017840AA	1							[BRB,BRK,BRT], Right or Left
	05086362AA	1							[BR4], Right or Left
10	05086362AA	1							NUT, Retainer Front Rotor [For M12 Stud], (NOT SERVICED),
11									ROTOR, Brake
	04509994AA	2							[BRB,BRK,BRT]
	V5019994								Mopar V-Line Alternative Brake Rotors
	VOE83843AA								Make It Original Brake Kit
	VPT13843AA								Make It New Brake Kits
	05273141AA	2							[BR4]
12	06506730AA	5							STUD
13	04670292AF	1							HUB, WheelRight or Left
14	05272448AA	1							BEARING, WheelRight or Left
15	06505982AA	3							SCREW, Hex Head, Retainer Plate to Knuckle, Mounting
16	04668361AD	1							RETAINER, Wheel Bearing, Right or Left
17									KNUCKLE, Front
	05272478AB	1						C	[EDZ,EJD,DD5], Right
	05272479AB	1						C	[EDZ,EJD,DD5], Left
	05272486AB	1							[EDJ,EDT,DDD,DGL], Right
		1							[EDV,DDD], Right

PT CRUISER (PT)

SERIES LINE
H = HIGHLINE C = CHRYSLER
P = PREMIUM Z = CHRYSLER (RHD)
S = SPORT
X = SPECIAL

BODY
27 = 2-DR CONVERTIBLE
44 = HATCHBACK/QUAD
CAB CHASSIS LWB

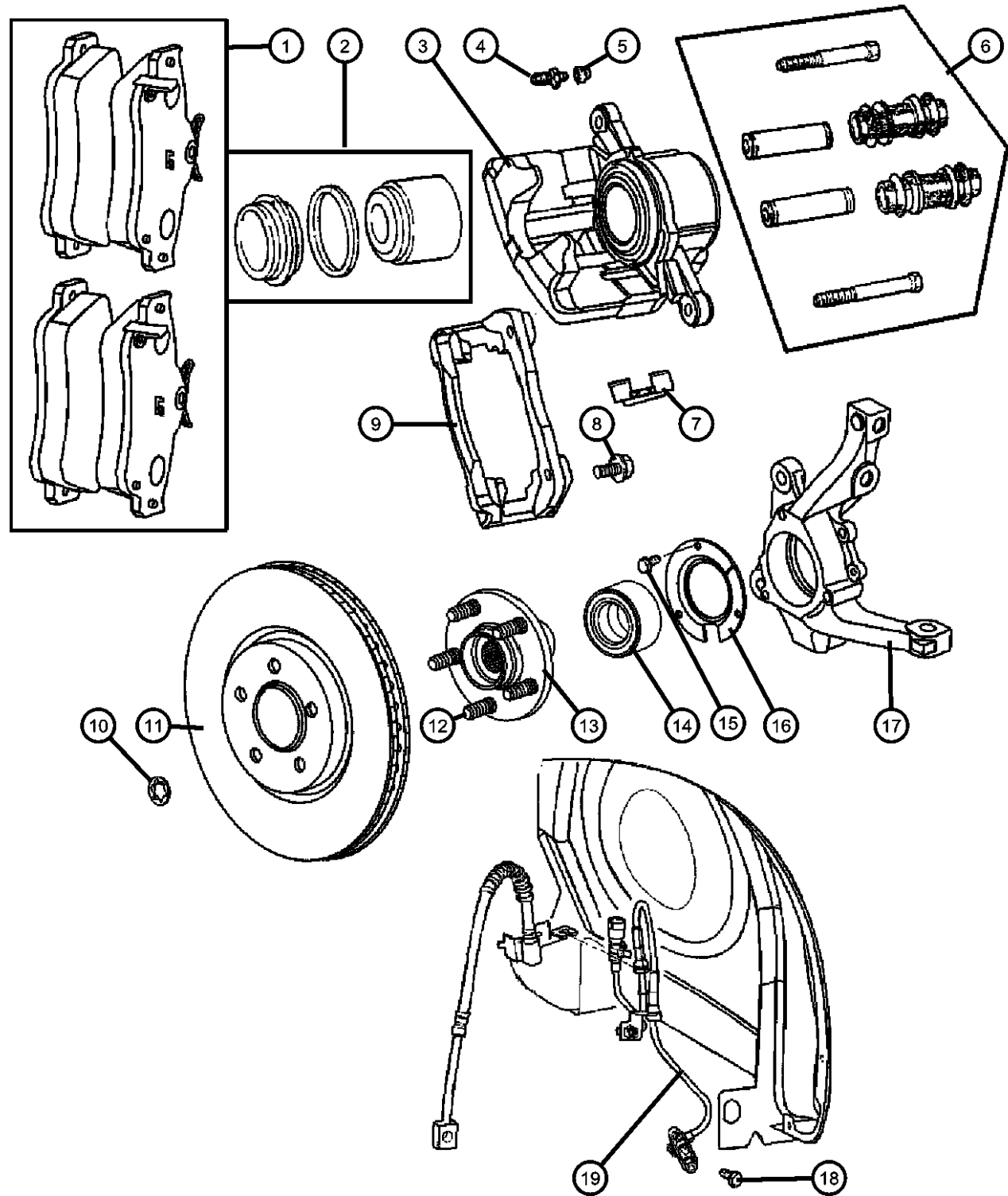
ENGINE
EDJ = 2.2L 4 Cyl Turbo Diesel Engine
EDT = 2.4L 4 Cyl DOHC 16V Turbo Engine
EDV = 2.4L 4 Cyl DOHC 16V HO Turbo Engine
EDZ = 2.4L 4 Cyl DOHC 16V SMPI Engine
EJD = 1.6L 4 Cyl SOHC 16V SMPI

TRANSMISSION
DGL = 4-Speed Automatic Transmission
DD5 = 5-Speed Manual Transmission
DDD = 5-Speed HD Manual Transmission

AR = use ase required - = Non illustrated part

2006 PT

Brakes,Front
Figure 5-110



ITEM	PART NUMBER	QTY	LINE	SERIES	BODY	ENGINE	TRANS	TRIM	DESCRIPTION
		1	Z						[EDZ,DD5], Right
	05272487AB	1							[EDJ,EDT,DDD,DGL], Left
		1							[EDV,DDD], Left
		1	Z						[EDZ,DD5], Left
	05272492AB	1							[EDV,DGL], Right
		1	Z						[EDZ,DGL,AA4], Right
	05272493AB	1							[EDV,DGL], Left
		1	Z						[EDZ,DGL,AA4], Left
18	34201686	2							BOLT, Hex Flange Head, M12x1.18x35, Anti-Lock Brake Sensor, Mounting
19									SENSOR, Anti-Lock Brakes
	05273332AE	1							Right
	05273333AE	1							Left

PT CRUISER (PT)

SERIES LINE
H = HIGHLINE C = CHRYSLER
P = PREMIUM Z = CHRYSLER (RHD)
S = SPORT
X = SPECIAL

BODY
27 = 2-DR CONVERTIBLE
44 = HATCHBACK/QUAD
CAB CHASSIS LWB

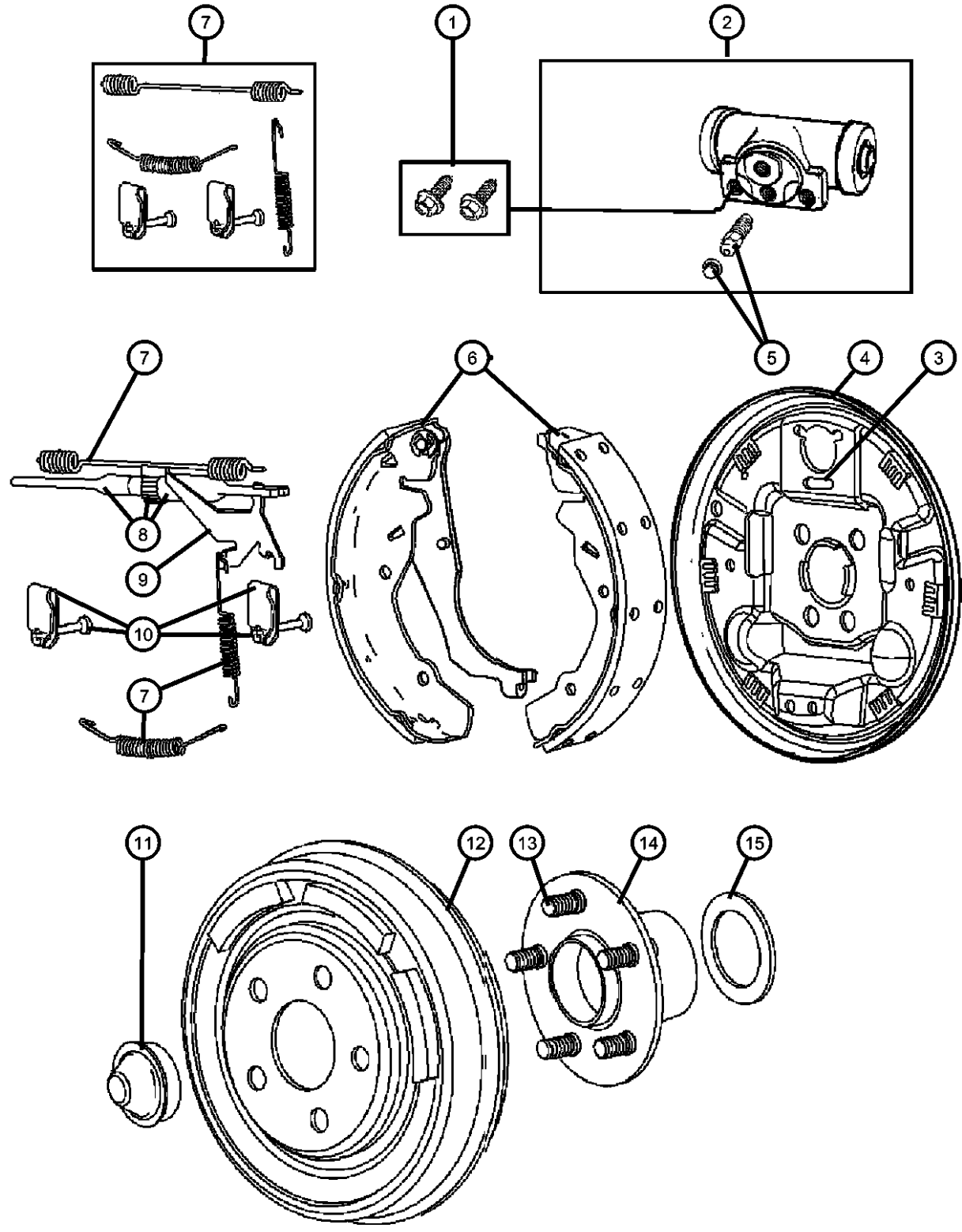
ENGINE
EDJ = 2.2L 4 Cyl Turbo Diesel Engine
EDT = 2.4L 4 Cyl DOHC 16V Turbo Engine
EDV = 2.4L 4 Cyl DOHC 16V HO Turbo Engine
EDZ = 2.4L 4 Cyl DOHC 16V SMPI Engine
EJD = 1.6L 4 Cyl SOHC 16V SMPI

TRANSMISSION
DGL = 4-Speed Automatic Transmission
DD5 = 5-Speed Manual Transmission
DDD = 5-Speed HD Manual Transmission

AR = use ase required - = Non illustrated part

2006 PT

Brakes,Rear Drum
Figure 5-210



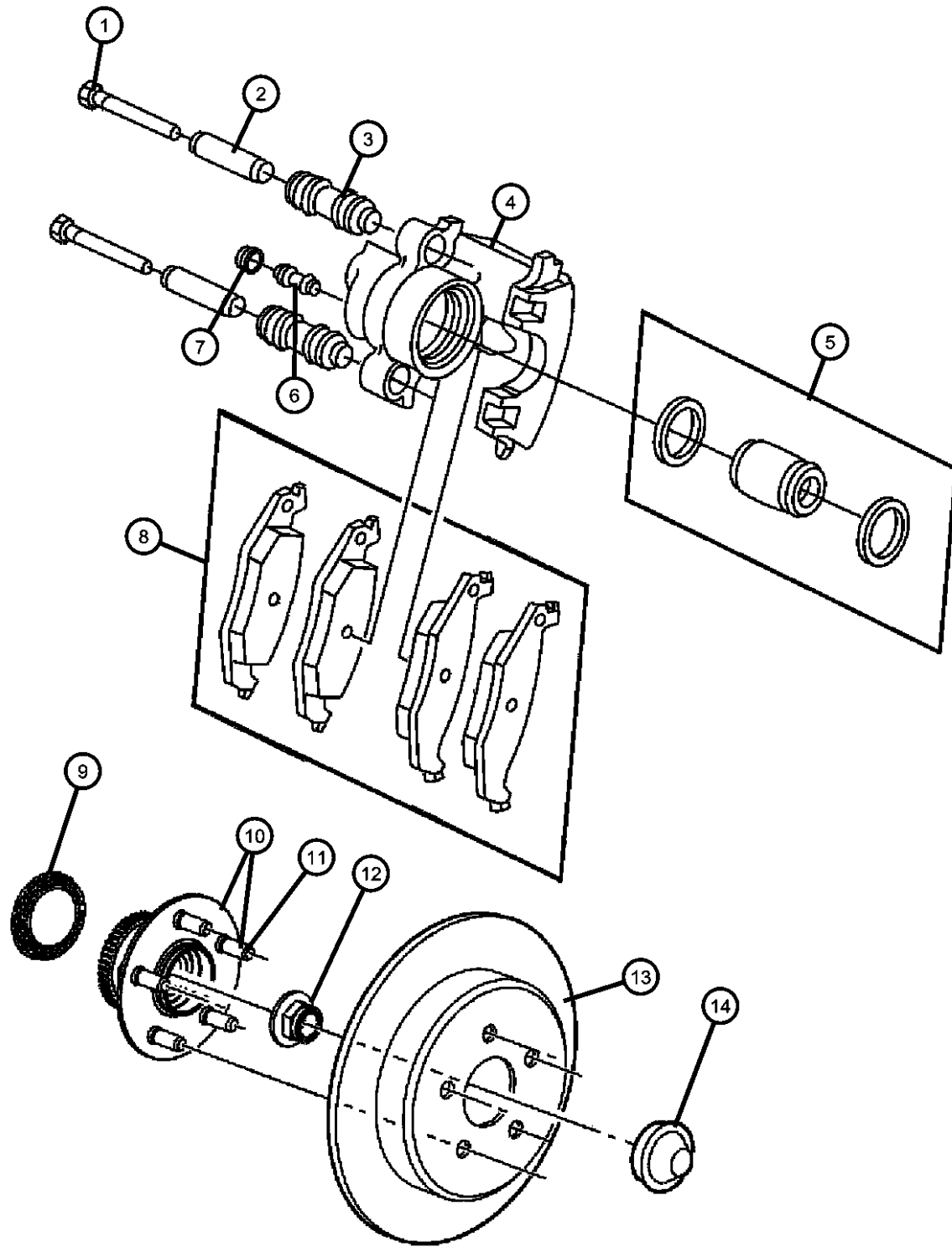
ITEM	PART NUMBER	QTY	LINE	SERIES	BODY	ENGINE	TRANS	TRIM	DESCRIPTION
1	05114494AA	1							BOLT KIT, Wheel Cylinder, Mounting
2	05140708AA	1							CYLINDER, WheelRight or Left
3	05114497AA	1							PLUG, Brake Adjusting HoleRight or Left
4									PLATE, Brake Backing
	05114504AA	1							Right
	05114505AA	1							Left
5	05114495AA	1							BLEEDER SCREW, BrakeRight or Left
6	05140710AA	1							SHOE AND LINING KIT, Drum
7	05114496AA	1							SPRING KIT, Brake Shoe Hold Down
8									ADJUSTER, Brake Shoe
	05114508AA	1							Right
	05114509AA	1							Left
9									LEVER, Rear Wheel Brake Adjust
	05114492AA	1							Left
	05140707AA	1							Right
10	05114498AA	1							CLIP, Brake Shoe Hold Down, Contains; 2 Pins, Clips, Right or Left
11	04509396	2							CAP, Wheel Bearing
12	05273209AA	2							DRUM, Brake
13	05204272	5							STUD, WheelMounting
14	04509766	2							HUB AND BEARING, Brake
15	04509544	2							SEAL, Brake SupportMounting

PT CRUISER (PT)

SERIES	LINE	BODY	ENGINE	TRANSMISSION
H = HIGHLINE	C = CHRYSLER	27 = 2-DR CONVERTIBLE	EDJ = 2.2L 4 Cyl Turbo Diesel Engine	DGL = 4-Speed Automatic Transmission
P = PREMIUM	Z = CHRYSLER (RHD)	44 = HATCHBACK/QUAD CAB CHASSIS LWB	EDT = 2.4L 4 Cyl DOHC 16V Turbo Engine	DD5 = 5-Speed Manual Transmission
S = SPORT			EDV = 2.4L 4 Cyl DOHC 16V HO Turbo Engine	DDD = 5-Speed HD Manual Transmission
X = SPECIAL			EDZ = 2.4L 4 Cyl DOHC 16V SMPI Engine	
			EJD = 1.6L 4 Cyl SOHC 16V SMPI	

AR = use ase required - = Non illustrated part

Brakes,Rear Disc
Figure 5-220



ITEM	PART NUMBER	QTY	LINE	SERIES	BODY	ENGINE	TRANS	TRIM	DESCRIPTION
Note: Sale Codes [BR4]= Anti-Lock 4-Wheel Disc,Performance [BRB]=Power Front Disc/Rear Drum [BRK]=Anti-Lock Front Disc/Rear Drum Brakes [BRT]= Antil-Lock 4-Wheel Disc									
1	06502527	4							BOLT, Hex Flange Head, M8-1.25x68.50, Caliper to Knuckle, Mounting
2	04423573	2							SLEEVE, Disc Brake Caliper
3	04383471	2							BUSHING, Disc Brake Caliper
4									CALIPER, Disc Brake
	05083158AA	1							Less Pads, Right
	05083159AA	1							Less Pads, Left
	05189292AA	1	C, Z		27, 44				Right
	05189293AA	1	C, Z		27, 44				Left
5	05011948AA	1							PISTON PACKAGE, Disc BrakeRight or Left
6	05014431AA	1							BLEEDER SCREW, BrakeRight or Left
7	04238717	1							CAP, BleederRight or Left
8									PAD KIT, Disc Brake
	05018208AA	1							[BRT]
	BHKH5593								Mopar V-Line Alternative Part Disc Hardware
	BHKH5066								Mopar V-Line Alternative Part Caliper Bolts
	V2013208AB								Mopar V-Line Alternative Part
	VRPT3208AA								Make It New Brake Kits
	05086567AA	1							[BR4]
	V2016567								Mopar V-Line Alternative Part
	BHKH5066								Mopar V-Line Alternative Part Caliper Bolts
	BHKH5593								Mopar V-Line Alternative Part Disc Hardware
9	04509544	2							SEAL, Brake Support, Brake Assembly to Spindle, Mounting
10									HUB AND BEARING, Brake
	04509766	2							[BRB]

PT CRUISER (PT)

SERIES LINE
H = HIGHLINE C = CHRYSLER
P = PREMIUM Z = CHRYSLER (RHD)
S = SPORT
X = SPECIAL

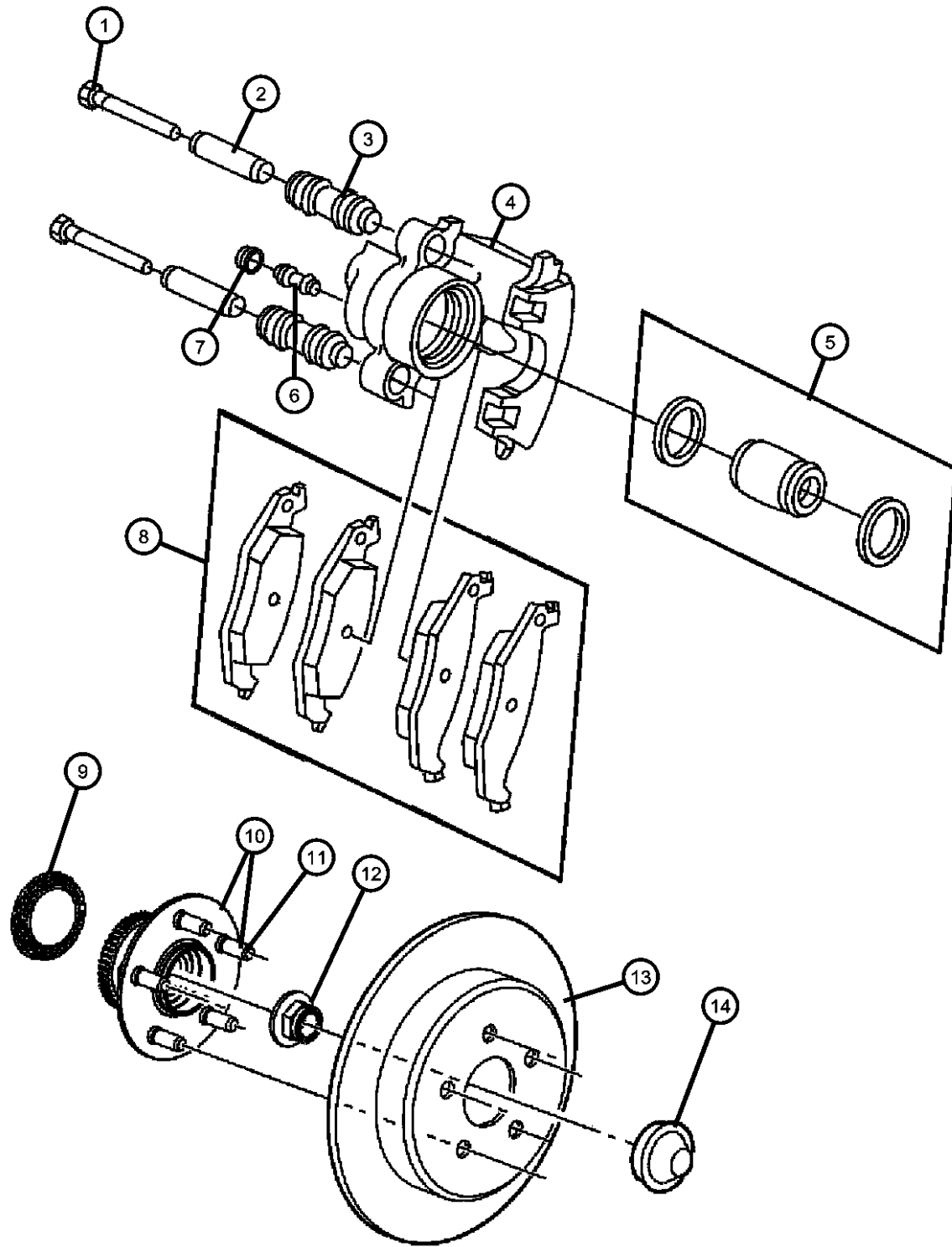
BODY
27 = 2-DR CONVERTIBLE
44 = HATCHBACK/QUAD
CAB CHASSIS LWB

ENGINE TRANSMISSION
EDJ = 2.2L 4 Cyl Turbo Diesel Engine
EDT = 2.4L 4 Cyl DOHC 16V Turbo Engine
EDV = 2.4L 4 Cyl DOHC 16V HO Turbo Engine
EDZ = 2.4L 4 Cyl DOHC 16V SMPI Engine
EJD = 1.6L 4 Cyl SOHC 16V SMPI
DGL = 4-Speed Automatic Transmission
DD5 = 5-Speed Manual Transmission
DDD = 5-Speed HD Manual Transmission

AR = use ase required - = Non illustrated part

2006 PT

Brakes,Rear Disc
Figure 5-220



ITEM	PART NUMBER	QTY	LINE	SERIES	BODY	ENGINE	TRANS	TRIM	DESCRIPTION
	04509767	2							[BR4,BRK,BRT]
11	05204272	5							STUD, WheelRight or Left
12	06502432	2							LOCK NUT, Rear Spindle, M20-1.50, Hub and Bearing, Mounting
13	05085651AA	2							ROTOR, Brake
	V5015650								[BRT] Mopar V-Line Alternative Brake Rotors
	VRJR3767AA								Make It New Brake Kits
	VRPT3208AA								Make It New Brake Kits
	05085652AA	2							[BR4]
14	04509396	2							CAP, Wheel Bearing

PT CRUISER (PT)

SERIES LINE
H = HIGHLINE C = CHRYSLER
P = PREMIUM Z = CHRYSLER (RHD)
S = SPORT
X = SPECIAL

BODY
27 = 2-DR CONVERTIBLE
44 = HATCHBACK/QUAD
CAB CHASSIS LWB

ENGINE
EDJ = 2.2L 4 Cyl Turbo Diesel Engine
EDT = 2.4L 4 Cyl DOHC 16V Turbo Engine
EDV = 2.4L 4 Cyl DOHC 16V HO Turbo Engine
EDZ = 2.4L 4 Cyl DOHC 16V SMPI Engine
EJD = 1.6L 4 Cyl SOHC 16V SMPI

TRANSMISSION
DGL = 4-Speed Automatic Transmission
DD5 = 5-Speed Manual Transmission
DDD = 5-Speed HD Manual Transmission

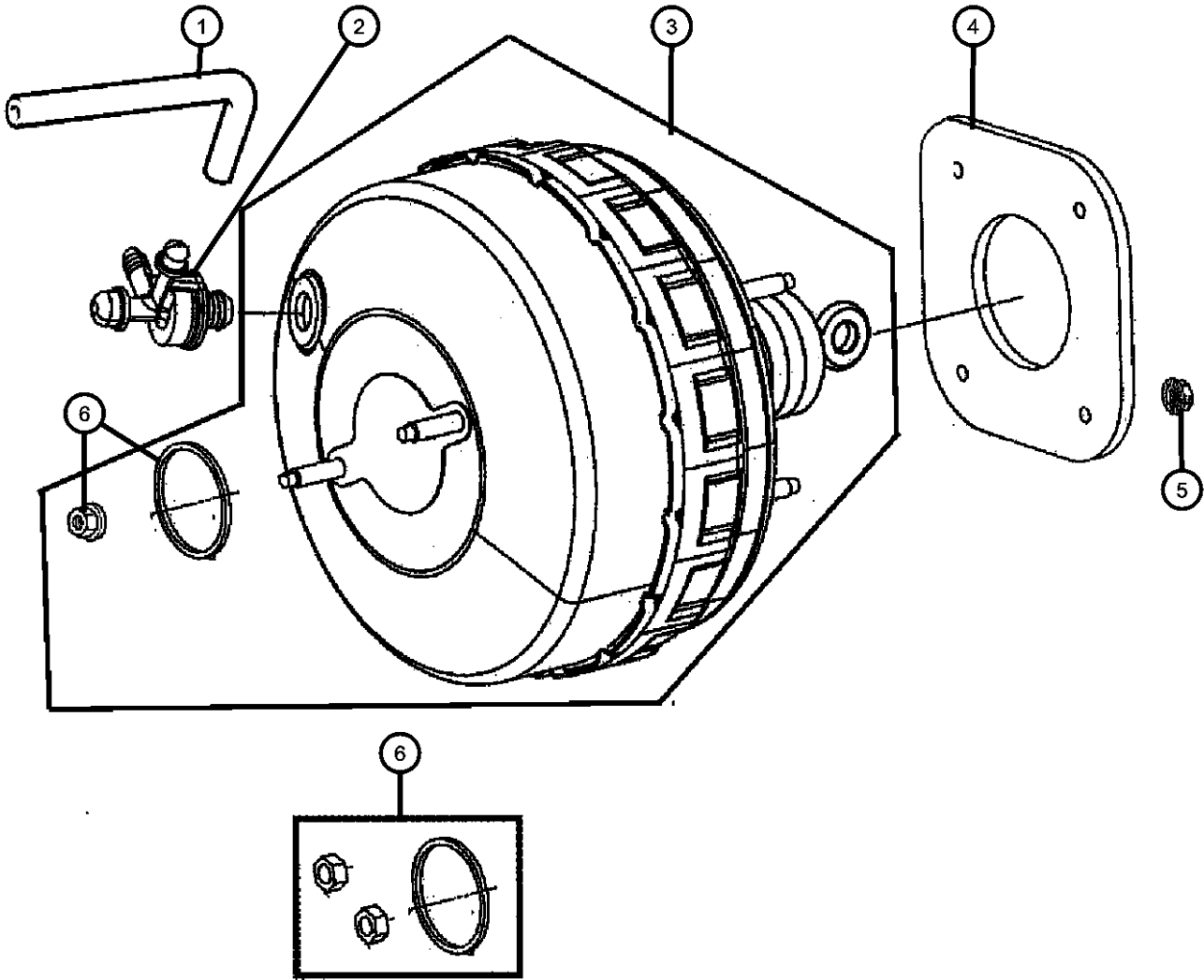
AR = use ase required - = Non illustrated part

2006 PT

Brake Booster
Figure 5-310

ITEM	PART NUMBER	QTY	LINE	SERIES	BODY	ENGINE	TRANS	TRIM	DESCRIPTION
------	-------------	-----	------	--------	------	--------	-------	------	-------------

Note:Sales Codes
 [EDV]=2.4L 4 Cylinder DOHC 16Valve HO Turbo Engine
 [EDZ]=2.4L 4 Cylinder DOHC 16Valve SMPI Engine



1	04860047AB	1	C						HOSE, Brake Booster Vacuum [EJD]
	05273132AC	1	Z		44				[EDJ] Connector to Manifold
	05273133AD	1	C						[EDJ]
	05273140AE	1	Z		44				[EDJ] Booster to Connector
	05273176AC	1	Z		44				[EDZ]
	05273202AE	1							[EDT,EDV]
	05273976AA	1	C						[EDZ]
2	05142501AA	1							CHECK VALVE, Brake Booster, With Grommet
3	05142499AA	1							BOOSTER, Power Brake
4	05142500AA	1							GASKET, Booster To DashMounting
5	06100050	4							NUT AND WASHER, Hex, M8x1.25, Brake Booster to Dash, Mounting
6	05142502AA	1							SEAL PACKAGE, Brake, Master Cylinder To Booster, Master Cylinder to Booster, Mounting

PT CRUISER (PT)

SERIES LINE
 H = HIGHLINE C = CHRYSLER
 P = PREMIUM Z = CHRYSLER (RHD)
 S = SPORT
 X = SPECIAL

BODY
 27 = 2-DR CONVERTIBLE
 44 = HATCHBACK/QUAD
 CAB CHASSIS LWB

ENGINE
 EDJ = 2.2L 4 Cyl Turbo Diesel Engine
 EDT = 2.4L 4 Cyl DOHC 16V Turbo Engine
 EDV = 2.4L 4 Cyl DOHC 16V HO Turbo Engine
 EDZ = 2.4L 4 Cyl DOHC 16V SMPI Engine
 EJD = 1.6L 4 Cyl SOHC 16V SMPI

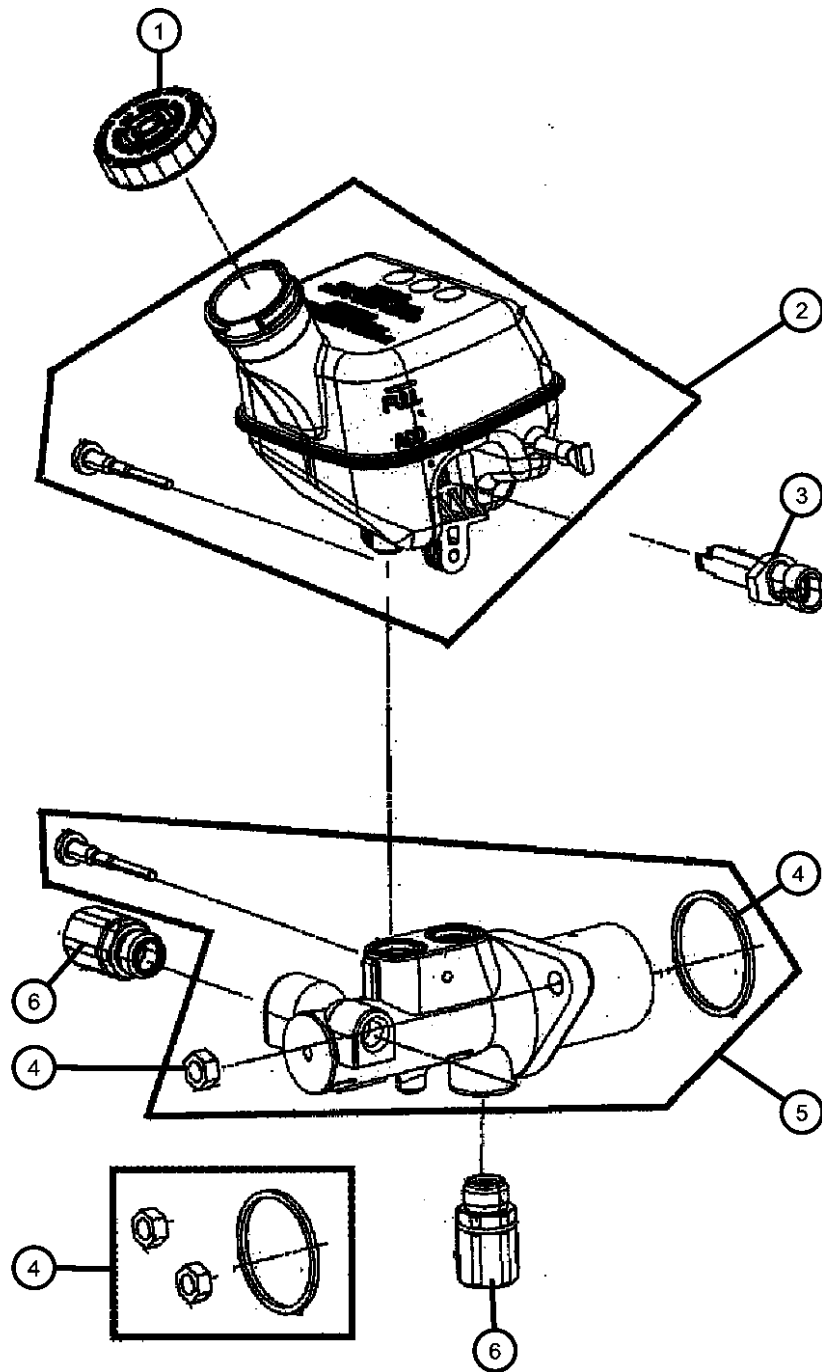
TRANSMISSION
 DGL = 4-Speed Automatic Transmission
 DD5 = 5-Speed Manual Transmission
 DDD = 5-Speed HD Manual Transmission

AR = use ase required - = Non illustrated part

2006 PT

Master Cylinder, Brake
Figure 5-410

ITEM	PART NUMBER	QTY	LINE	SERIES	BODY	ENGINE	TRANS	TRIM	DESCRIPTION
------	-------------	-----	------	--------	------	--------	-------	------	-------------



Note: Sale Codes

[BRB]=Power Front Disc/Rear Drum

[BRT]= Anti-Lock 4-Wheel Disc

[BR4]= ANTI-LOCK 4-WHEEL DISC, PERFORMANCE

1	05014518AA	1							CAP, Master Cylinder Reservoir
2	05142504AA	1							RESERVOIR, Brake Master Cylinder
3	05142505AA	1							SENSOR, Brake Fluid Level
4	05142502AA	1							SEAL PACKAGE, Brake, Master Cylinder To Booster
5									MASTER CYLINDER, Brake
	05142503AA	1							[BRB]
	05142507AA	1							[BR4,BRK,BRT]
6	05142506AA	1							VALVE, Proportioning, [BRB] Only

PT CRUISER (PT)

SERIES LINE
H = HIGHLINE C = CHRYSLER
P = PREMIUM Z = CHRYSLER (RHD)
S = SPORT
X = SPECIAL

BODY
27 = 2-DR CONVERTIBLE
44 = HATCHBACK/QUAD
CAB CHASSIS LWB

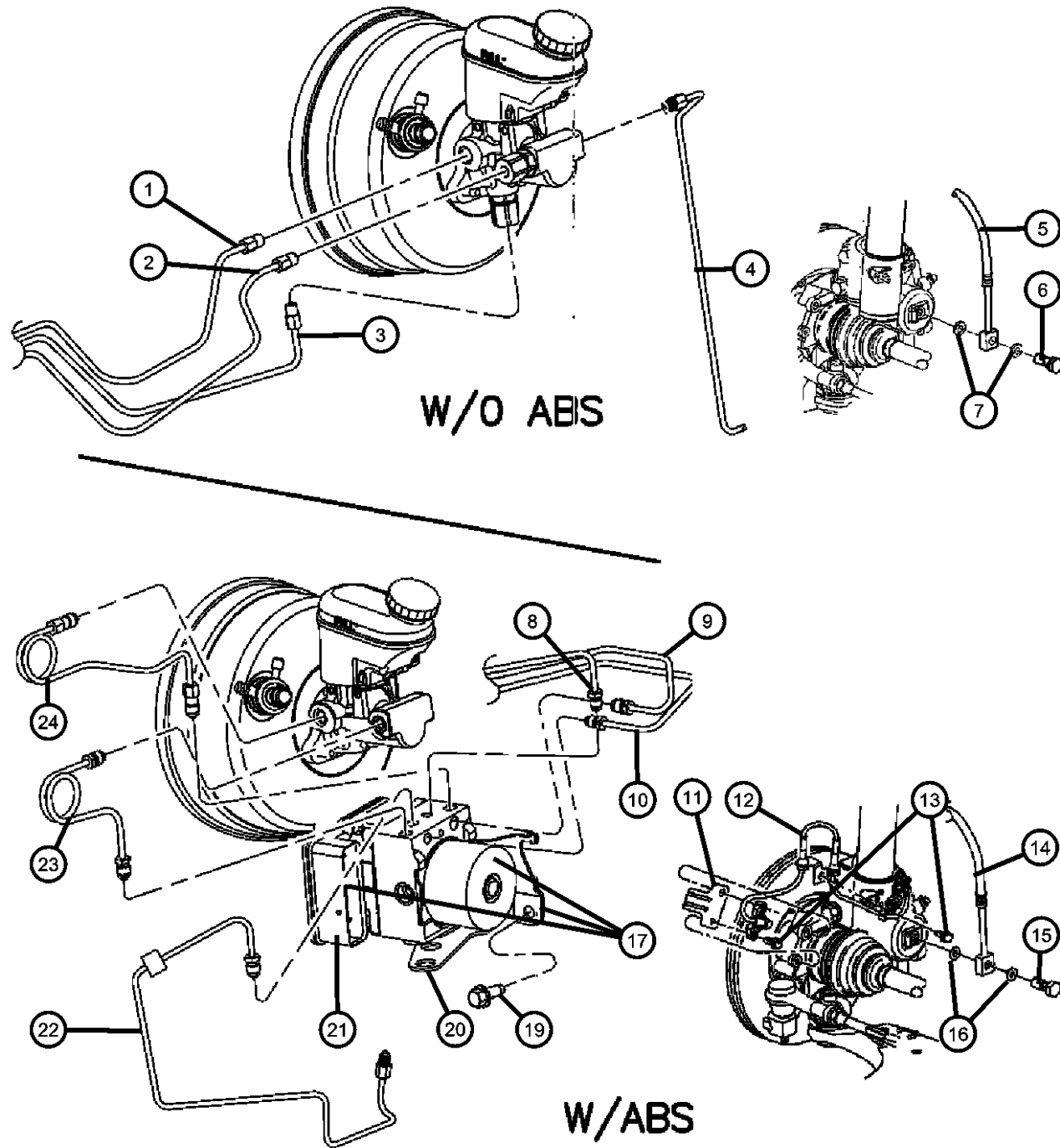
ENGINE
EDJ = 2.2L 4 Cyl Turbo Diesel Engine
EDT = 2.4L 4 Cyl DOHC 16V Turbo Engine
EDV = 2.4L 4 Cyl DOHC 16V HO Turbo Engine
EDZ = 2.4L 4 Cyl DOHC 16V SMPI Engine
EJD = 1.6L 4 Cyl SOHC 16V SMPI

TRANSMISSION
DGL = 4-Speed Automatic Transmission
DD5 = 5-Speed Manual Transmission
DDD = 5-Speed HD Manual Transmission

AR = use ase required - = Non illustrated part

2006 PT

Anti-Lock Brake Control Unit and Front Brake Lines and Hoses-LHD
Figure 5-420



ITEM	PART NUMBER	QTY	LINE	SERIES	BODY	ENGINE	TRANS	TRIM	DESCRIPTION
Note:Sales Codes [ABB]=European Equipment Group [ABJ]=Japan Equipment Group [BR4]=Anti-Lock 4-Wheel Disc Performance Brakes [BRB]=Front Disc Rear Drums Brakes [BRK]=Anti-Lock Front Disc/Rear Drum Brakes [BRT]=4 Wheel Disc Anti Lock Brakes [EDJ]=2.2L 4 Cylinder Turbo Diesel [EDT]=2.4L I4 DOHC 16V Turbo [EDV]=2.4L 4 Cylinder Turbo [EDZ]=2.4L 4 Cylinder [EJD]=1.6L 4 Cylinder SOHC 16V SMPI									
1	05143263AB	1	C						TUBE, Brake, Right Front [BRB,EDT]
	05143272AB	1	C						[BRB,EDZ]
2	05143264AB	1	C						TUBE, Brake, Right Rear [BRB,EDT]
	05143273AB	1	C						[BRB,EDZ]
3	05143265AB	1	C						TUBE, Brake, Left Rear [BRB,EDT]
	05143274AB	1	C						[BRB,EDZ]
4	05085393AC	1	C						TUBE, Brake, [BRB], Left Front
5	04509995AB	1							HOSE, Brake [BRB], Left
	04509996AC	1							[BRB], Right
6	06505801AA	2							BOLT, Banjo
7	06502114	4							WASHER, Brake HoseMounting
8	05143266AB	1	C						TUBE, Brake, Right Front [BR4,EDT,EDV]
	05143269AB	1	C						[BRK,BRT,EDZ,EJD]
		1	C						[BRK,BRT,EDJ]
9	05143268AB	1	C						TUBE, Brake, Left Rear [BR4,EDT,EDV]
	05143271AB	1	C						[BRK,BRT,EDZ,EJD]
		1	C						[BRK,BRT,EDJ]

PT CRUISER (PT)

SERIES LINE
 H = HIGHLINE C = CHRYSLER
 P = PREMIUM Z = CHRYSLER (RHD)
 S = SPORT
 X = SPECIAL

BODY
 27 = 2-DR CONVERTIBLE
 44 = HATCHBACK/QUAD
 CAB CHASSIS LWB

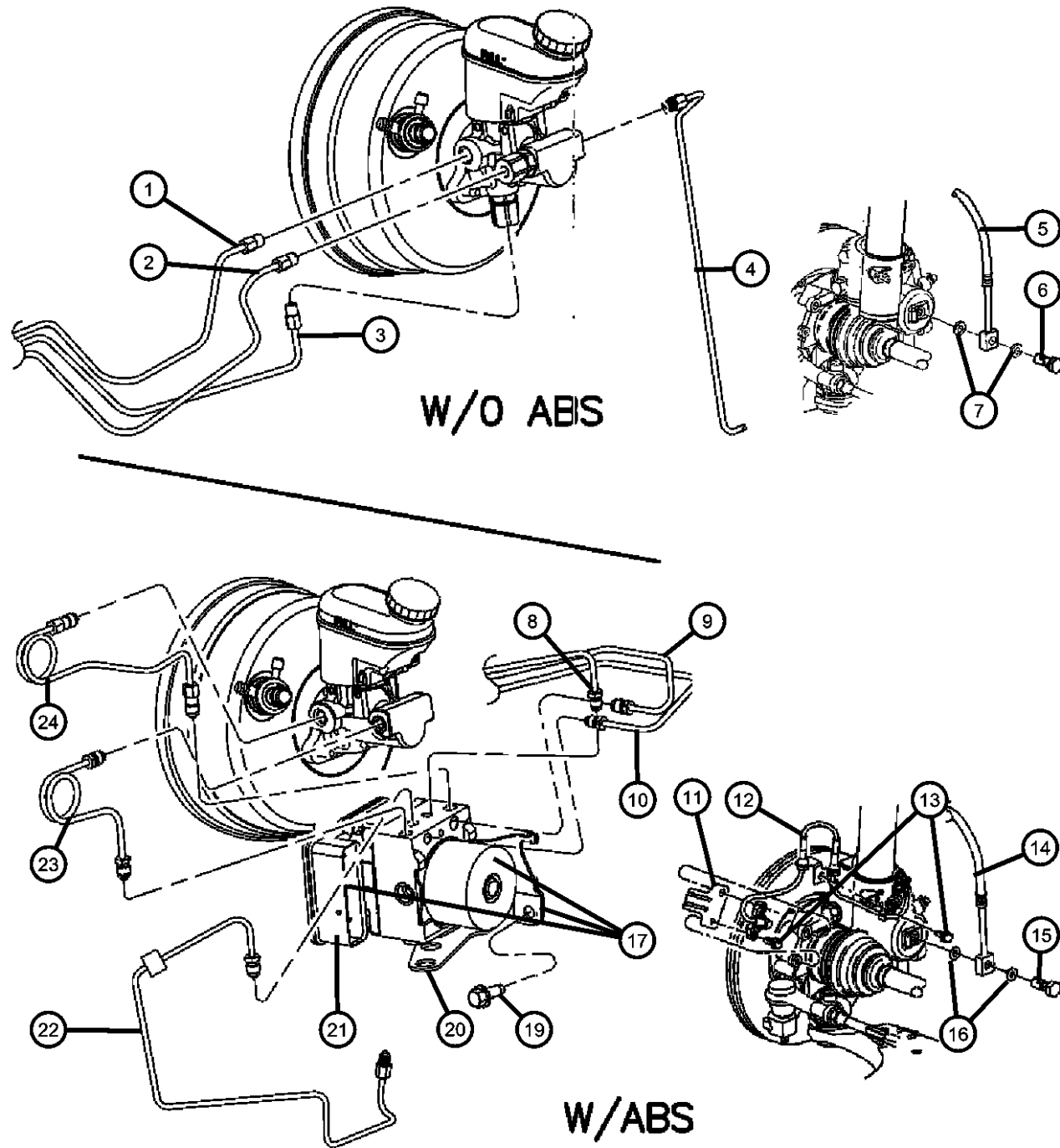
ENGINE
 EDJ = 2.2L 4 Cyl Turbo Diesel
 Engine
 EDT = 2.4L 4 Cyl DOHC 16V
 Turbo Engine
 EDV = 2.4L 4 Cyl DOHC 16V
 HO Turbo Engine
 EDZ = 2.4L 4 Cyl DOHC 16V
 SMPI Engine
 EJD = 1.6L 4 Cyl SOHC 16V
 SMPI

TRANSMISSION
 DGL = 4-Speed Automatic
 Transmission
 DD5 = 5-Speed Manual Transmission
 DDD = 5-Speed HD Manual
 Transmission

AR = use ase required - = Non illustrated part

2006 PT

Anti-Lock Brake Control Unit and Front Brake Lines and Hoses-LHD
Figure 5-420



ITEM	PART NUMBER	QTY	LINE	SERIES	BODY	ENGINE	TRANS	TRIM	DESCRIPTION
10	05143267AB	1	C						TUBE, Brake, Right Rear [BR4,EDT,EDV]
	05143270AB	1	C						[BRK,BRT,EDZ,EJD]
		1	C						[BRK,BRT,EDJ]
11	05273152AA	2	C						SHIELD, Heat BR4,BRK,BRT,ABB]
		2	C						[BRT,ABJ]
12	05273332AE	1							SENSOR, Anti-Lock Brakes [BR4,BRK,BRT], Right
	05273333AE	1							[BR4,BRK,BRT], Left
13	34201686	2							BOLT, Hex Flange Head, M12x1.18x35, Front Hose to Rail, Mounting
14	04860068AC	1							HOSE, Brake [BR4,BRK,BRT], Right
	04860069AB	1							[BR4,BRK,BRT], Left
15	06505801AA	2							BOLT, Banjo
16	06502114	4							WASHER, Brake HoseMounting
17	05142283AA	1							HYDRAULIC CONTROL UNIT, Anti-Lock Brake System [BR4,BRT,BNM]
	05142286AA	1							[BRK,BNM]
-18	05159024AA	1							O RING, Pump Tower, Mounting
19	06102150AA	3							SCREW, Tapping
20	05142284AA	1							BRACKET, Hydraulic Control Unit [BR4,BRT,BNM]
	05142287AA	1							[BRK,BNM]
21	05179520AA	1							MODULE, Anti-lock Brakes [BRK,BNM]
	05179521AA	1							[BR4,BRT,BNM]
22	05085389AD	1							TUBE, Brake, To Front Brake hose, Front Left

PT CRUISER (PT)

SERIES LINE
H = HIGHLINE C = CHRYSLER
P = PREMIUM Z = CHRYSLER (RHD)
S = SPORT
X = SPECIAL

BODY
27 = 2-DR CONVERTIBLE
44 = HATCHBACK/QUAD
CAB CHASSIS LWB

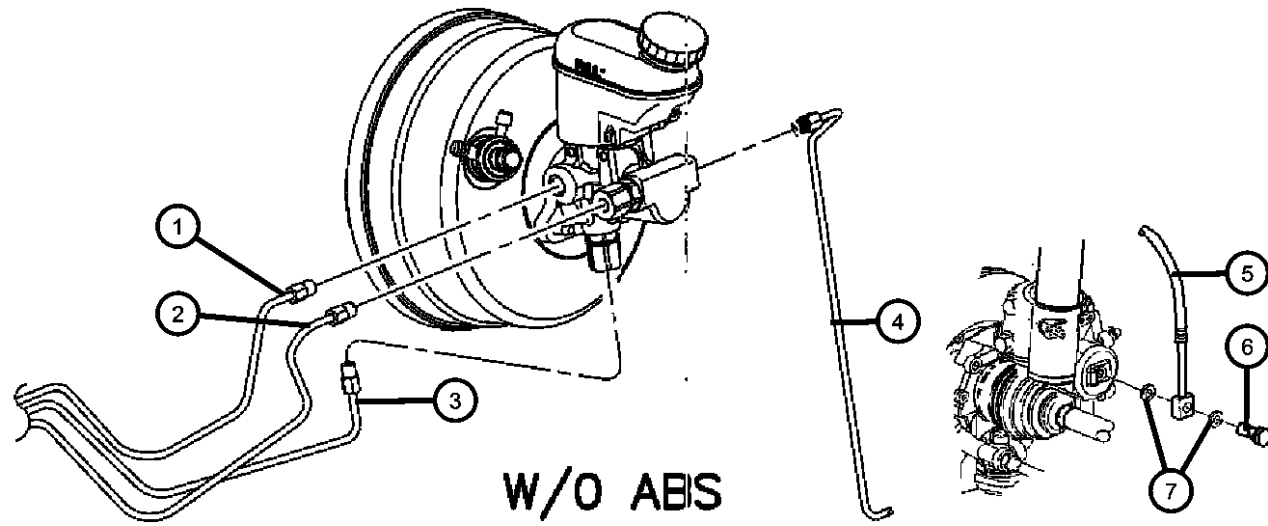
ENGINE TRANSMISSION
EDJ = 2.2L 4 Cyl Turbo Diesel DGL = 4-Speed Automatic
Engine Transmission
EDT = 2.4L 4 Cyl DOHC 16V DD5 = 5-Speed Manual Transmission
Turbo Engine DDD = 5-Speed HD Manual
EDV = 2.4L 4 Cyl DOHC 16V Transmission
HO Turbo Engine
EDZ = 2.4L 4 Cyl DOHC 16V
SMPI Engine
EJD = 1.6L 4 Cyl SOHC 16V
SMPI

AR = use ase required - = Non illustrated part

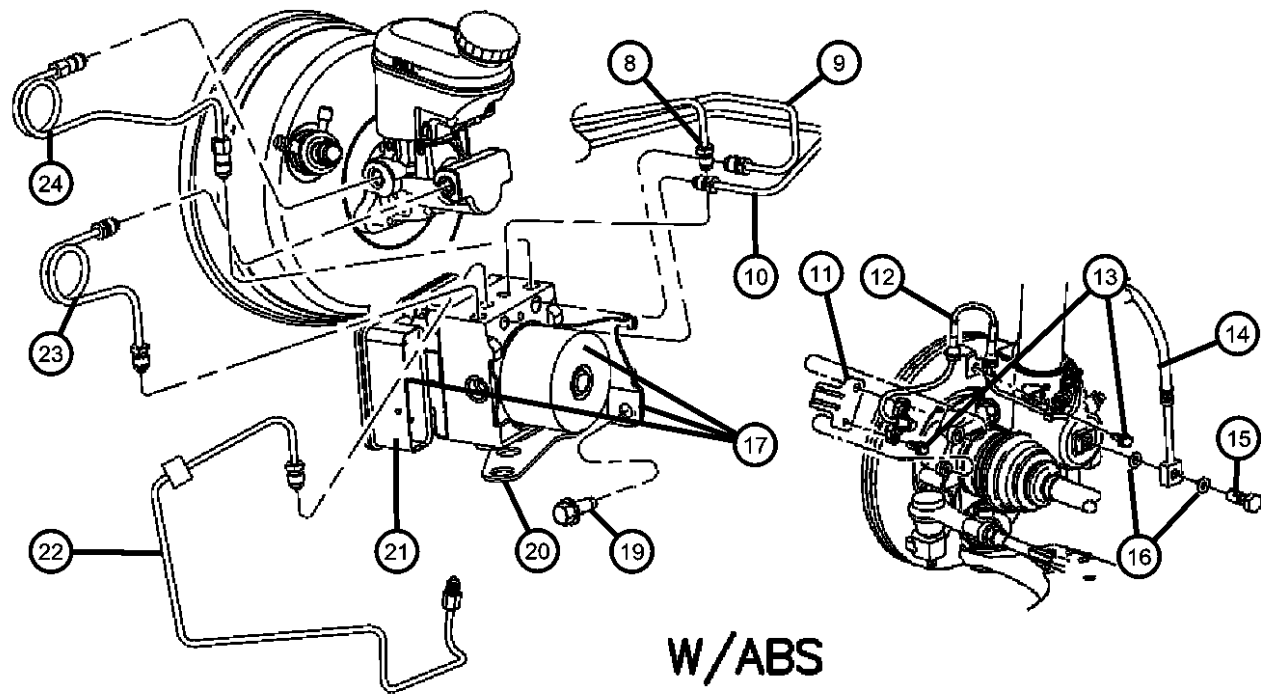
2006 PT

Anti-Lock Brake Control Unit and Front Brake Lines and Hoses-LHD
Figure 5-420

ITEM	PART NUMBER	QTY	LINE	SERIES	BODY	ENGINE	TRANS	TRIM	DESCRIPTION
------	-------------	-----	------	--------	------	--------	-------	------	-------------



23	05085387AE	1	C						TUBE, Brake, [BR4,BRT,BNM] Master Cylinder to HCU, Secondary
24	05085388AF	1	C						TUBE, Brake, [BR4,BRT,BNM] Master Cylinder to HCU, Primary



PT CRUISER (PT)

SERIES	LINE
H = HIGHLINE	C = CHRYSLER
P = PREMIUM	Z = CHRYSLER (RHD)
S = SPORT	
X = SPECIAL	

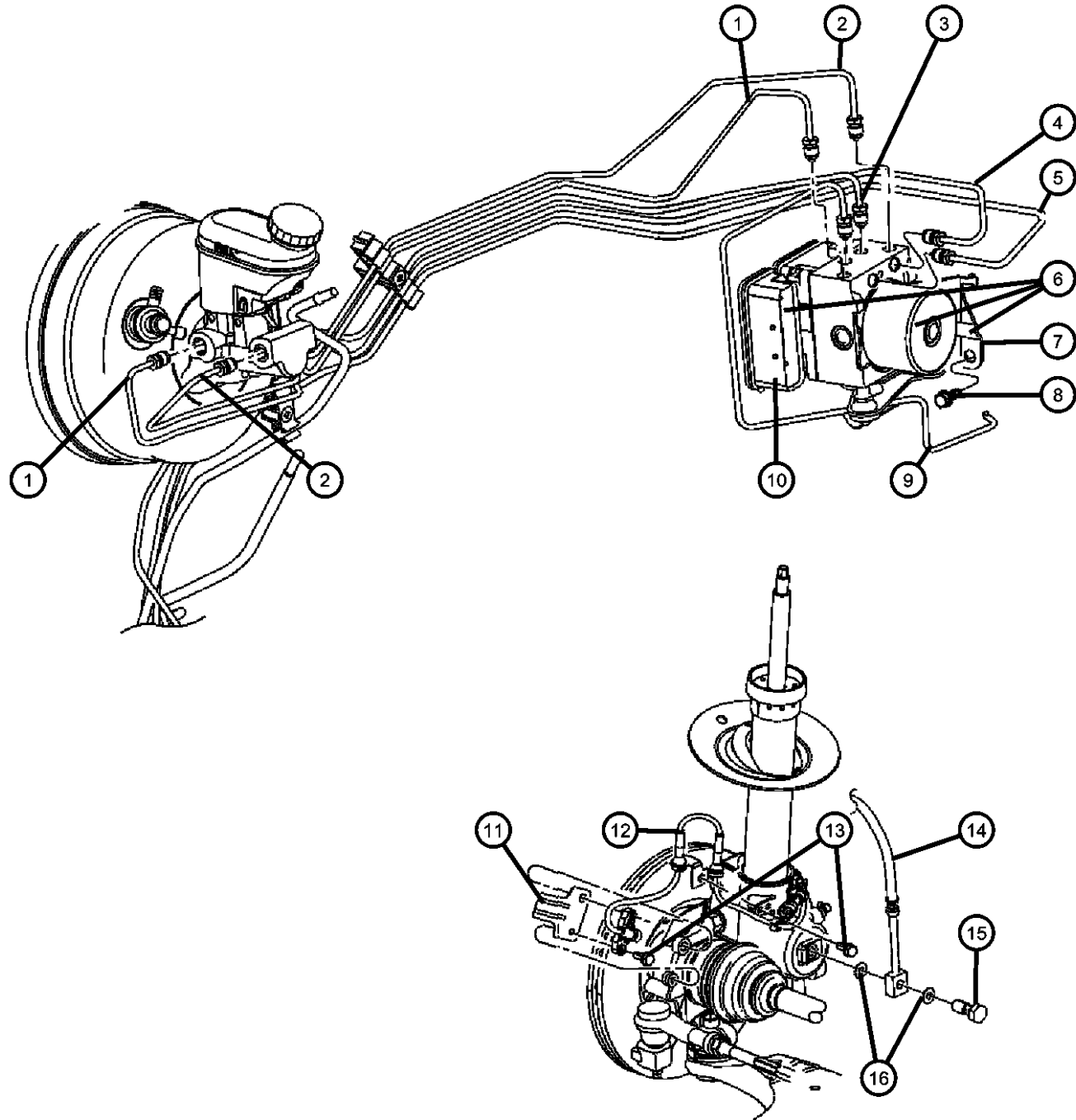
BODY
27 = 2-DR CONVERTIBLE
44 = HATCHBACK/QUAD CAB CHASSIS LWB

ENGINE	TRANSMISSION
EDJ = 2.2L 4 Cyl Turbo Diesel Engine	DGL = 4-Speed Automatic Transmission
EDT = 2.4L 4 Cyl DOHC 16V Turbo Engine	DD5 = 5-Speed Manual Transmission
EDV = 2.4L 4 Cyl DOHC 16V HO Turbo Engine	DDD = 5-Speed HD Manual Transmission
EDZ = 2.4L 4 Cyl DOHC 16V SMPI Engine	
EJD = 1.6L 4 Cyl SOHC 16V SMPI	

AR = use ase required - = Non illustrated part

2006 PT

Anti-Lock Brake Control Unit and Front Brake Lines and Hoses-RHD
Figure 5-430



ITEM	PART NUMBER	QTY	LINE	SERIES	BODY	ENGINE	TRANS	TRIM	DESCRIPTION
Note:Sales Codes [BNM]=Traction Control [BR4]=Anti-Lock 4-Wheel Disc Performance Brakes [BRK]=Anti-Lock Front Disc/Rear Drum Brakes [BRT]=4 Wheel Disc Anti Lock Brakes [EDJ]=2.2L 4 Cylinder Turbo Diesel [EDZ]=2.4L 4 Cylinder									
1	05085384AE	1	Z						TUBE, Brake, Master Cylinder to ABS, Primary
2	05085385AE	1	Z						TUBE, Brake, Master Cylinder to ABS, Secondary
3									TUBE, Brake, Right Front
	05143275AB	1	Z						[BRK,BRT,EDZ]
		1	Z		44				[BRK,BRT,EDJ]
4									TUBE, Brake, Left Rear
	05143277AB	1	Z						[BRK,BRT,EDZ]
		1	Z		44				[BRK,BRT,EDJ]
5									TUBE, Brake, Right Rear
	05143276AB	1	Z						[BRK,BRT,EDZ]
		1	Z		44				[BRK,BRT,EDJ]
6									HYDRAULIC CONTROL UNIT, Anti-Lock Brake System
	05142283AA	1							[BR4,BRT,BNM]
	05142286AA	1							[BRK]
7									BRACKET, Hydraulic Control Unit
	05142284AA	1							[BR4,BRT,BNM]
	05142287AA	1							[BRK]
8	06102150AA	3							SCREW, Tapping, HCU, Mounting
9	05085389AD	1							TUBE, BrakeLeft Front
10									MODULE, Anti-lock Brakes
	05179520AA	1							[BRK]
	05179521AA	1							[BR4,BRT,BNM]
11	05273152AA	2	Z						SHIELD, Heat, ABS
12									SENSOR, Anti-Lock Brakes
	05273332AE	1							Right

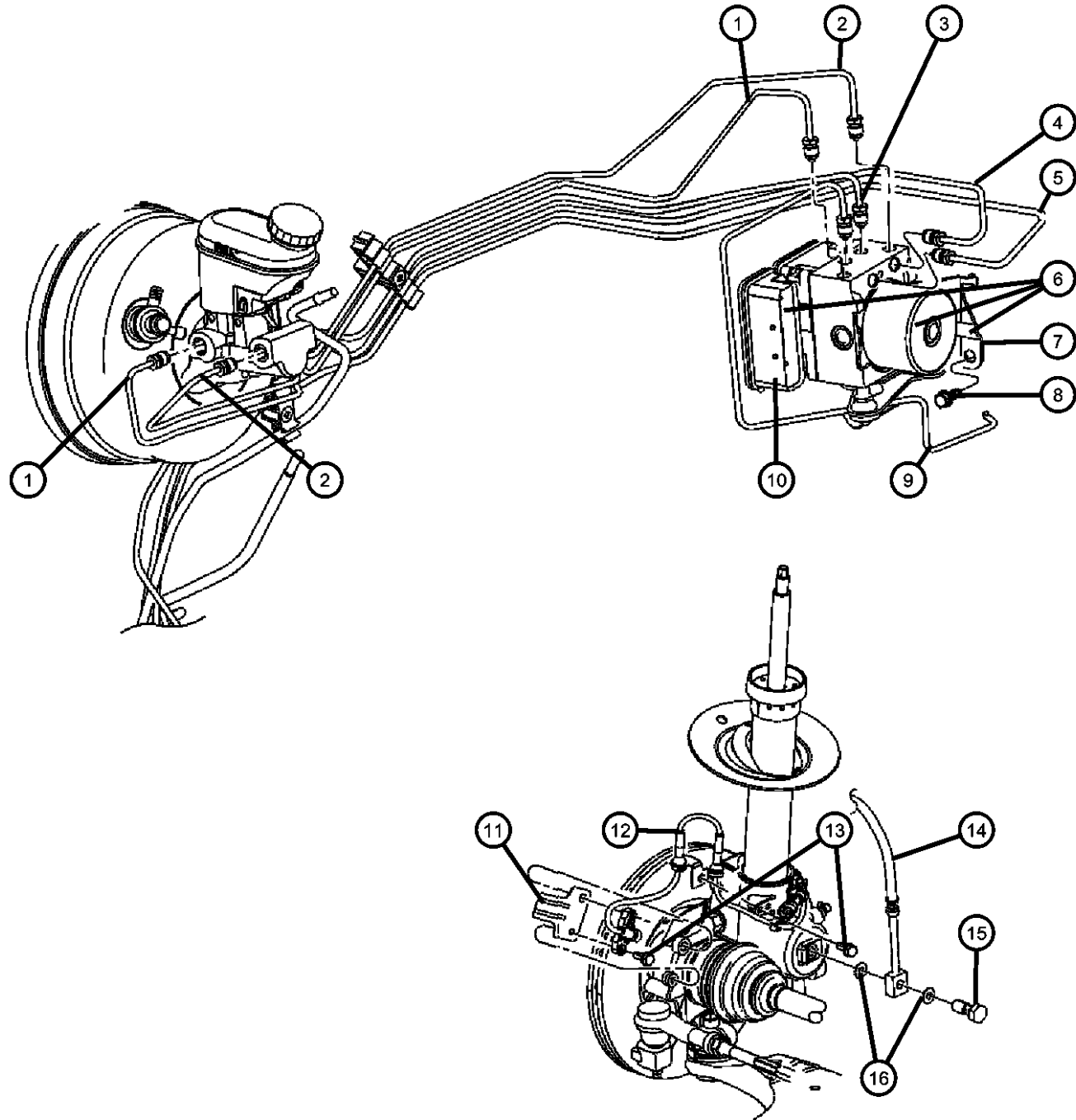
PT CRUISER (PT)

SERIES	LINE	BODY	ENGINE	TRANSMISSION
H = HIGHLINE	C = CHRYSLER	27 = 2-DR CONVERTIBLE	EDJ = 2.2L 4 Cyl Turbo Diesel Engine	DGL = 4-Speed Automatic Transmission
P = PREMIUM	Z = CHRYSLER (RHD)	44 = HATCHBACK/QUAD CAB CHASSIS LWB	EDT = 2.4L 4 Cyl DOHC 16V Turbo Engine	DD5 = 5-Speed Manual Transmission
S = SPORT			EDV = 2.4L 4 Cyl DOHC 16V HO Turbo Engine	DDD = 5-Speed HD Manual Transmission
X = SPECIAL			EDZ = 2.4L 4 Cyl DOHC 16V SMPI Engine	
			EJD = 1.6L 4 Cyl SOHC 16V SMPI	

AR = use ase required - = Non illustrated part

2006 PT

Anti-Lock Brake Control Unit and Front Brake Lines and Hoses-RHD
Figure 5-430



ITEM	PART NUMBER	QTY	LINE	SERIES	BODY	ENGINE	TRANS	TRIM	DESCRIPTION
13	05273333AE	1							Left BOLT, Hex Flange Head, M12x1.18x35
	34201686	2							ABS to Knuckle, Mounting
		2							ABS to Rail, Mounting
14	04860068AC	1							HOSE, Brake Right
	04860069AB	1							Left
15	06505801AA	2							BOLT, Banjo
16	06502114	4							WASHER, Brake HoseMounting

PT CRUISER (PT)

SERIES LINE
H = HIGHLINE C = CHRYSLER
P = PREMIUM Z = CHRYSLER (RHD)
S = SPORT
X = SPECIAL

BODY
27 = 2-DR CONVERTIBLE
44 = HATCHBACK/QUAD
CAB CHASSIS LWB

ENGINE
EDJ = 2.2L 4 Cyl Turbo Diesel Engine
EDT = 2.4L 4 Cyl DOHC 16V Turbo Engine
EDV = 2.4L 4 Cyl DOHC 16V HO Turbo Engine
EDZ = 2.4L 4 Cyl DOHC 16V SMPI Engine
EJD = 1.6L 4 Cyl SOHC 16V SMPI

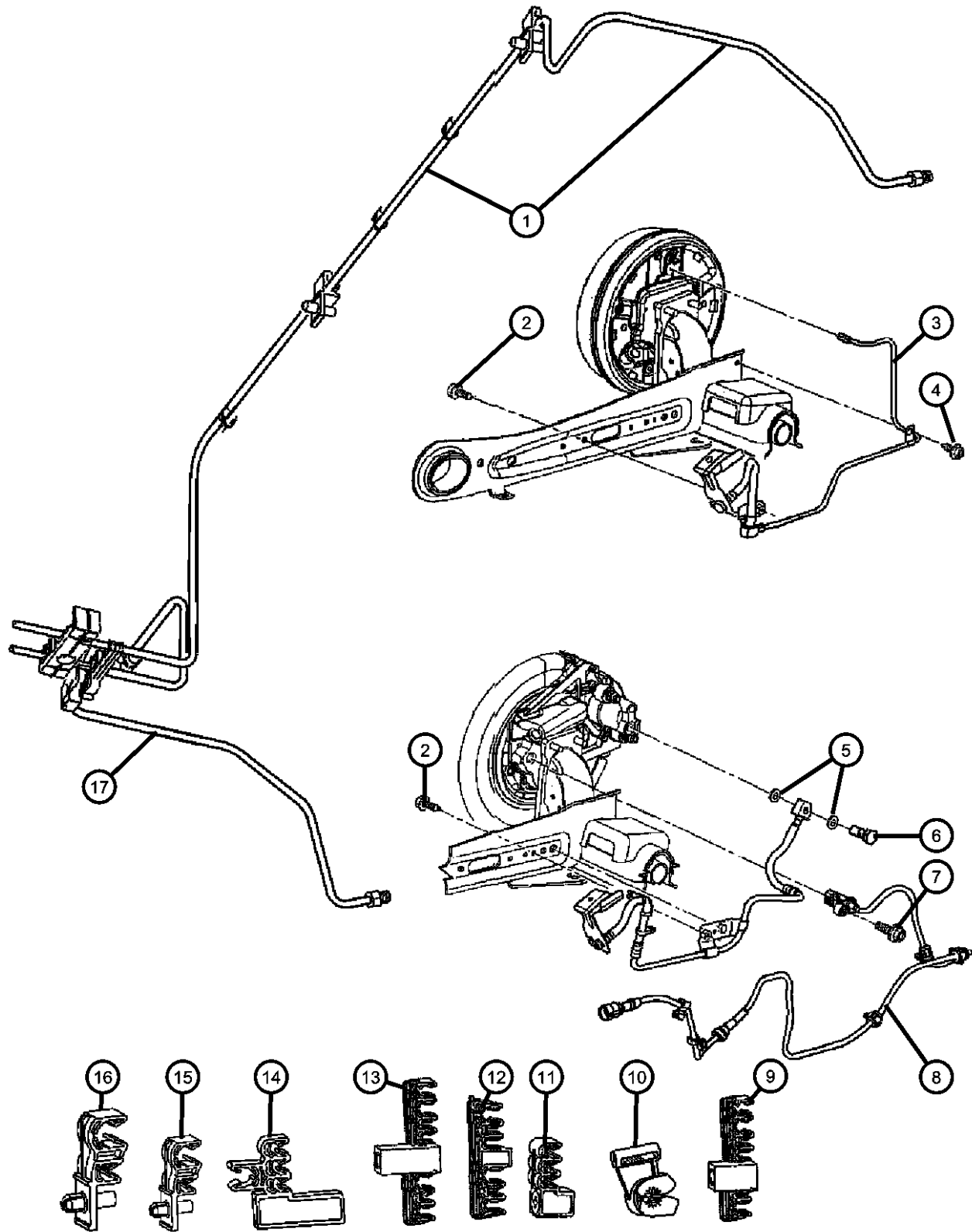
TRANSMISSION
DGL = 4-Speed Automatic Transmission
DD5 = 5-Speed Manual Transmission
DDD = 5-Speed HD Manual Transmission

AR = use ase required - = Non illustrated part

2006 PT

Brake Lines and Hoses, Rear, With or Without ABS

Figure 5-510



ITEM	PART NUMBER	QTY	LINE	SERIES	BODY	ENGINE	TRANS	TRIM	DESCRIPTION
------	-------------	-----	------	--------	------	--------	-------	------	-------------

Note: Sales Codes
 [BR4]=Anti-Lock 4-Wheel Disc Performance Brakes
 [BRB]=Front Disc Rear Drums Brakes
 [BRK]=Anti-Lock Front Disc/Rear Drum Brakes
 [BRT]=4 Wheel Disc Anti Lock Brakes
 [EDJ]=2.2L 4 Cylinder Turbo Diesel
 [EDT]=2.4L I4 DOHC 16V Turbo
 [EDV]=2.4L 4 Cylinder Turbo
 [EDZ]=2.4L 4 Cylinder
 [EJD]=1.6L 4 Cylinder SOHC 16V SMPI

1									TUBE, Brake, Left Rear
	05143265AB	1	C						[BRB,EDT]
	05143268AB	1	C						[BR4,EDT,EDV]
	05143271AB	1	C						[BRK,BRT,EDZ,EJD]
		1	C						[BRK,BRT,EDJ]
	05143274AB	1	C						[BRB,EDZ]
	05143277AB	1	Z						[BRK,BRT,EDZ]
		1	Z		44				[BRK,BRT,EDJ]
2	06101719	2							SCREW AND WASHER, Tapping, M6-1.0x20.0
3									HOSE, Brake
	04860082AE	1							[BR4,BRT], Right
	04860083AD	1							[BR4,BRT], Left
	05085522AC	1							[BRB], Right
	05085523AC	1							[BRB], Left
	05085526AC	1							[BRK], Right
	05085527AC	1							[BRK], Left
4	06503641	2							SCREW, M7X1.25X16.00, Brake Hose Clip to Arm, Mounting
5	06502114	4							WASHER, Brake Hose Mounting
6	06505801AA	2							BOLT, Banjo
7	34201686	2							BOLT, Hex Flange Head, M12x1.18x35, ABS, Mounting
8	04860038AE	2							SENSOR, Anti-Lock Brakes
9									CLIP, Fuel Tube
	05278218AB	1	Z						[BRK,BRT,EDZ]

PT CRUISER (PT)

SERIES LINE
 H = HIGHLINE C = CHRYSLER
 P = PREMIUM Z = CHRYSLER (RHD)
 S = SPORT
 X = SPECIAL

BODY
 27 = 2-DR CONVERTIBLE
 44 = HATCHBACK/QUAD CAB CHASSIS LWB

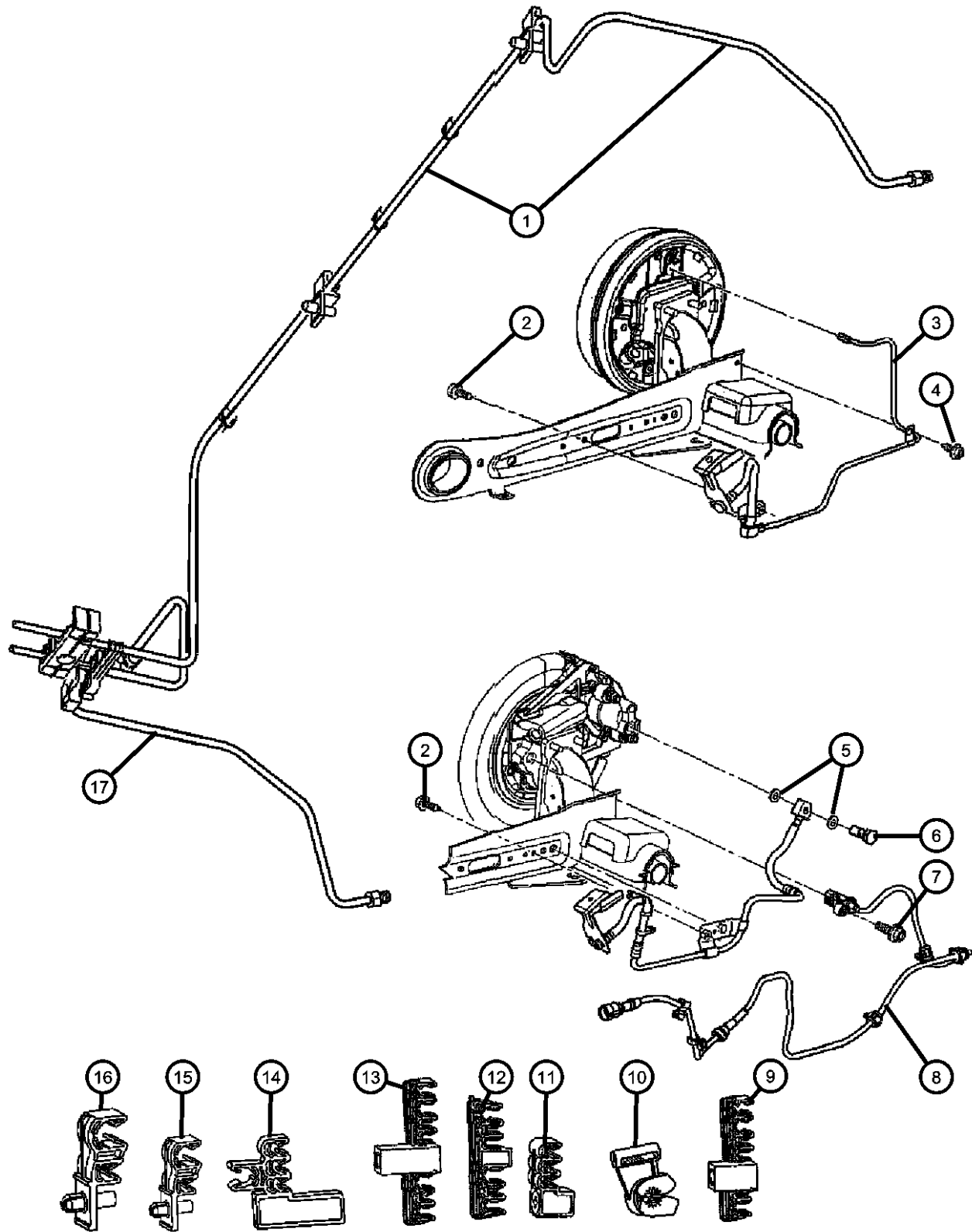
ENGINE
 EDJ = 2.2L 4 Cyl Turbo Diesel Engine
 EDT = 2.4L 4 Cyl DOHC 16V Turbo Engine
 EDV = 2.4L 4 Cyl DOHC 16V HO Turbo Engine
 EDZ = 2.4L 4 Cyl DOHC 16V SMPI Engine
 EJD = 1.6L 4 Cyl SOHC 16V SMPI

TRANSMISSION
 DGL = 4-Speed Automatic Transmission
 DD5 = 5-Speed Manual Transmission
 DDD = 5-Speed HD Manual Transmission

AR = use ase required - = Non illustrated part

2006 PT

Brake Lines and Hoses,Rear,With or Without ABS
Figure 5-510



ITEM	PART NUMBER	QTY	LINE	SERIES	BODY	ENGINE	TRANS	TRIM	DESCRIPTION
10		1	Z		44				[BRK,BRT,EDJ] CLIP, Fuel Bundle
	05278729AA	1	C						[BRB,EDZ]
		1	C						[BRK,BRT,EDJ]
		1	C						[BRK,BRT,EDZ,EJD]
		1	C						[BR4,EDT,EDV]
		1	C						[BRB,EDT]
11									CLIP, Fuel Tube
	04495634	2	C						[BRB,EDT]
		2	C						[BR4,EDT,EDV]
12									CLIP, Fuel Bundle
	05085043AA	5	C						[BRB,EDZ]
		5	C						[BRB,EDT]
		5	C						[BR4,EDT,EDV]
		5	C						[BRK,BRT,EDZ,EJD]
		5	Z		44				[BRK,BRT,EDJ]
		5	Z						[BRK,BRT,EDZ]
13									CLIP, Fuel Tube
	05278179AB	1	C						[BRB,EDZ]
		1	Z						[BRK,BRT,EDZ]
		1	C						[BRK,BRT,EDJ]
		1	Z		44				[BRK,BRT,EDJ]
		1	C						[BRK,BRT,EDZ,EJD]
14									CLIP, Fuel Tube
	05278182AB	1	C						[BRB,EDZ]
		1	C						[BRK,BRT,EDJ]
		1	C						[BRK,BRT,EDZ,EJD]
15									CLIP, Fuel Tube
	04495636	3	C						[BRK,BRT,EDJ]
		3	Z		44				[BRK,BRT,EDJ]
		3	C						[BRB,EDT]

PT CRUISER (PT)
SERIES **LINE**
H = HIGHLINE C = CHRYSLER
P = PREMIUM Z = CHRYSLER (RHD)
S = SPORT
X = SPECIAL

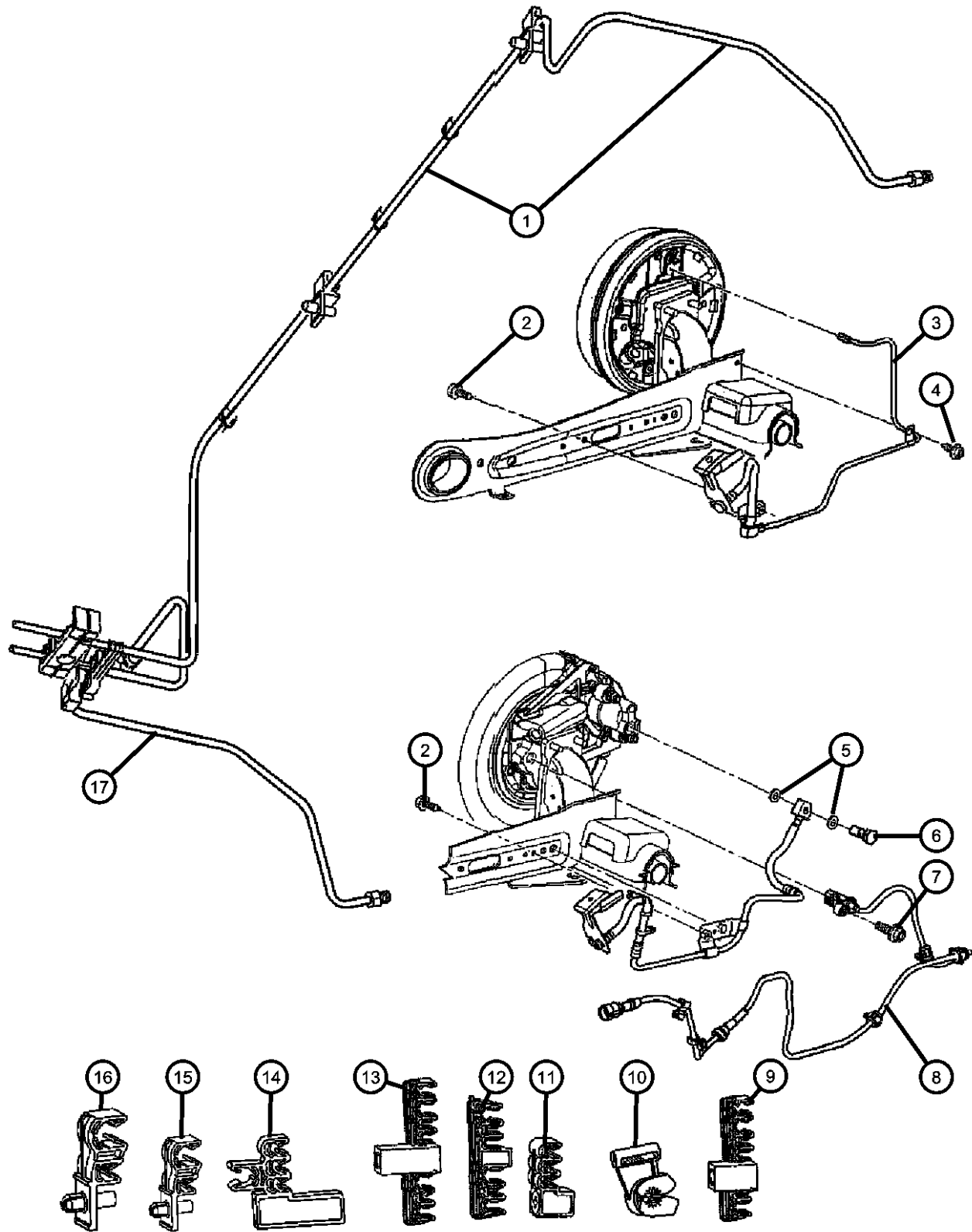
BODY
27 = 2-DR CONVERTIBLE
44 = HATCHBACK/QUAD CAB CHASSIS LWB

ENGINE
EDJ = 2.2L 4 Cyl Turbo Diesel Engine
EDT = 2.4L 4 Cyl DOHC 16V Turbo Engine
EDV = 2.4L 4 Cyl DOHC 16V HO Turbo Engine
EDZ = 2.4L 4 Cyl DOHC 16V SMPI Engine
EJD = 1.6L 4 Cyl SOHC 16V SMPI

TRANSMISSION
DGL = 4-Speed Automatic Transmission
DD5 = 5-Speed Manual Transmission
DDD = 5-Speed HD Manual Transmission

AR = use ase required - = Non illustrated part

Brake Lines and Hoses,Rear,With or Without ABS
Figure 5-510



ITEM	PART NUMBER	QTY	LINE	SERIES	BODY	ENGINE	TRANS	TRIM	DESCRIPTION
		3	C						[BR4,EDT,EDV]
		3	C						[BRK,BRT,EDZ,EJD]
		3	C						[BRB,EDZ]
		3	Z						[BRK,BRT,EDZ]
16									CLIP, Fuel Bundle
	05278609AA	2	C						[BRB,EDZ]
		2	Z						[BRK,BRT,EDZ]
		2	C						[BRK,BRT,EDJ]
		2	Z		44				[BRK,BRT,EDJ]
		2	C						[BRK,BRT,EDZ,EJD]
		2	C						[BR4,EDT,EDV]
		2	C						[BRB,EDT]
17									TUBE, Brake, Right Rear
	05143264AB	1	C						[BRB,EDT]
	05143267AB	1	C						[BR4,EDT,EDV]
	05143270AB	1	C						[BRK,BRT,EDZ,EJD]
		1	C						[BRK,BRT,EDJ]
	05143273AB	1	C						[BRB,EDZ]
	05143276AB	1	Z						[BRK,BRT,EDZ]
		1	Z		44				[BRK,BRT,EDJ]

PT CRUISER (PT)

SERIES LINE
H = HIGHLINE C = CHRYSLER
P = PREMIUM Z = CHRYSLER (RHD)
S = SPORT
X = SPECIAL

BODY
27 = 2-DR CONVERTIBLE
44 = HATCHBACK/QUAD
CAB CHASSIS LWB

ENGINE
EDJ = 2.2L 4 Cyl Turbo Diesel Engine
EDT = 2.4L 4 Cyl DOHC 16V Turbo Engine
EDV = 2.4L 4 Cyl DOHC 16V HO Turbo Engine
EDZ = 2.4L 4 Cyl DOHC 16V SMPI Engine
EJD = 1.6L 4 Cyl SOHC 16V SMPI

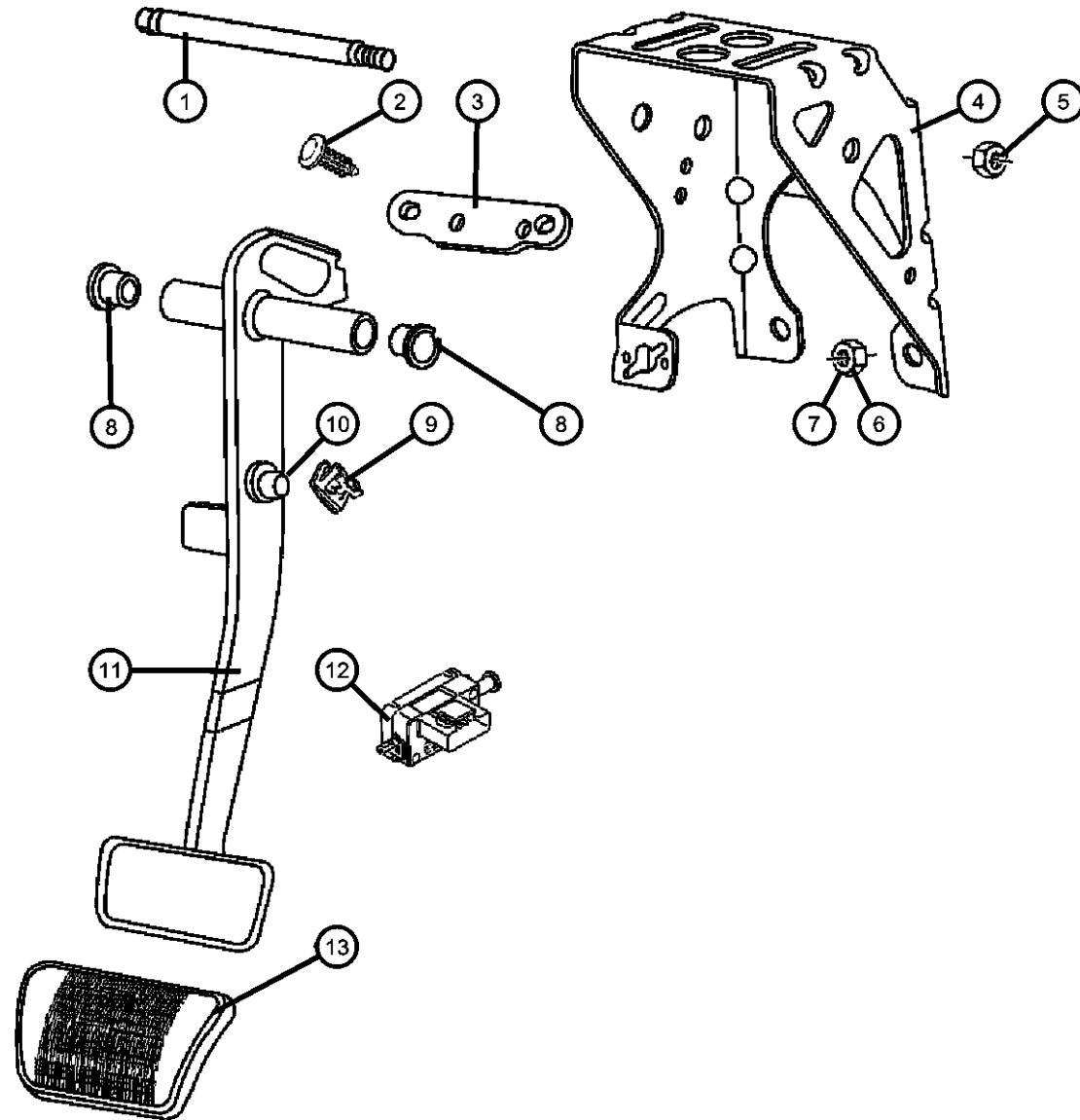
TRANSMISSION
DGL = 4-Speed Automatic Transmission
DD5 = 5-Speed Manual Transmission
DDD = 5-Speed HD Manual Transmission

AR = use ase required - = Non illustrated part

Pedal,Brake
Figure 5-610

ITEM	PART NUMBER	QTY	LINE	SERIES	BODY	ENGINE	TRANS	TRIM	DESCRIPTION
------	-------------	-----	------	--------	------	--------	-------	------	-------------

Note: Sale Codes;
 [DD5]=Transmission - 5-Speed Manual
 [DDD]=5-SPEED HD MANUAL
 [DGL]=Transmission - 4-Speed. Automatic,41TE
 [EDJ]=2.2L 4 Cylinder Turbo Diesel
 [EDT]=2.4L I4 DOHC 16V Turbo
 [EDV]=2.4L 4 Cylinder Turbo
 [EDZ]=2.4L 4 Cylinder
 [EJD]=1.6L 4 Cylinder SOHC 16V SMPI
 [XAR]=Bright Pedals



1	04683022	1	C						SHAFT, Brake Pedal Pivot [DGL]
		1	Z						[DGL]
	04860014AA	1	Z						[DD5,DDD]
	05273101AA	1	C						[DD5,DDD]
2	06504043	2	Z						PIN, Push, M8.6x19 Brake Pedal Bracket, Mounting
		2	C						Brake Pedal Bracket, Mounting
3	04860035AA	1	C						BRACKET, Brake Pedal [DGL]
		1	Z						[DD5,DDD]
		1	Z						[DGL]
		1	C						[DD5,DDD]
4	05273013AA	1	Z						BRACKET, Brake Pedal [DD5,DGL]
	05273026AA	1	C						[DGL]
	05273102AB	1	C						[DD5,DDD]
	05273136AA	1	Z		44				[DDD]
5	06500197	1	C						NUT, M10x1.5 Brake Pedal Pivot Shaft, Mounting
		1	Z						Brake Pedal Pivot Shaft, Mounting
6	06100050	4							NUT AND WASHER, Hex, M8x1.25, Brake Booster to Dash Panel, Mounting

PT CRUISER (PT)

SERIES LINE
 H = HIGHLINE C = CHRYSLER
 P = PREMIUM Z = CHRYSLER (RHD)
 S = SPORT
 X = SPECIAL

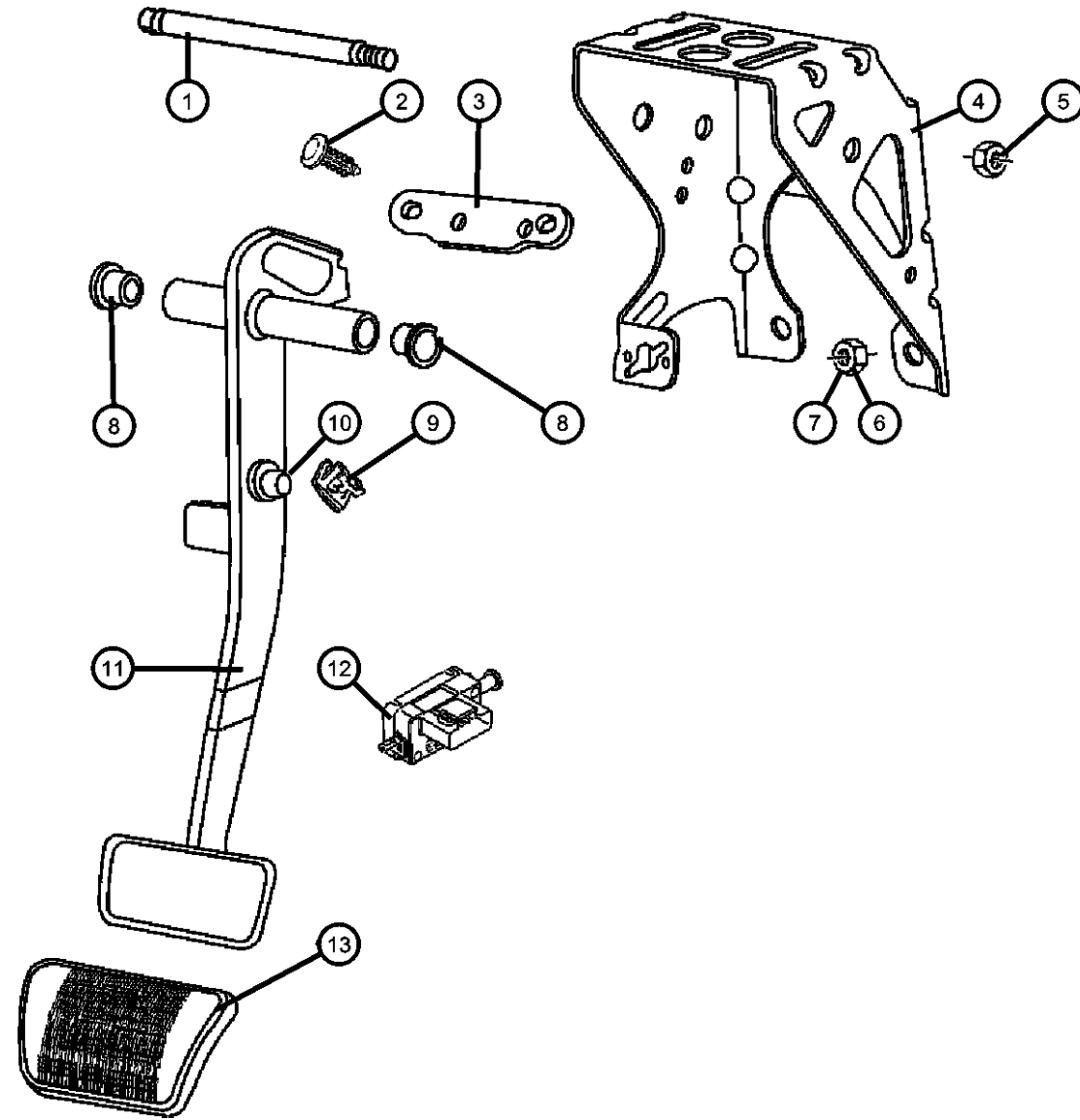
BODY
 27 = 2-DR CONVERTIBLE
 44 = HATCHBACK/QUAD
 CAB CHASSIS LWB

ENGINE TRANSMISSION
 EDJ = 2.2L 4 Cyl Turbo Diesel DGL = 4-Speed Automatic
 Engine Transmission
 EDT = 2.4L 4 Cyl DOHC 16V DD5 = 5-Speed Manual Transmission
 Turbo Engine DDD = 5-Speed HD Manual
 EDV = 2.4L 4 Cyl DOHC 16V Transmission
 HO Turbo Engine
 EDZ = 2.4L 4 Cyl DOHC 16V
 SMPI Engine
 EJD = 1.6L 4 Cyl SOHC 16V
 SMPI

AR = use ase required - = Non illustrated part

2006 PT

Pedal, Brake
Figure 5-610



ITEM	PART NUMBER	QTY	LINE	SERIES	BODY	ENGINE	TRANS	TRIM	DESCRIPTION
7	06104726AB	2							NUT, Brake Pedal Bracket to Plenum, Mounting
8	02467770	2	C						BUSHING, Pedal Shaft
		4	Z						[DGL], Mounting
		2	Z						[DD5,DDD], Mounting
		2	Z						[DGL], Mounting
		4	C						[DD5,DDD], Mounting
9	06035334	1							CLIP, Brake Push RodMounting
10	06035334	1							PIN, Master Cylinder Push Rod, (NOT SERVICED)
11									PEDAL, Brake
	04509770	1	C						[EDJ,EDV,EDZ,EJD,DD5,DDD]
	04509772	1	C						[DGL]
	04509843AA	1	Z						[DGL]
	04509846AA	1	Z		44				[EDJ,DD5,DDD]
	05085245AB	1	C						[DGL,XAR]
	05085246AC	1	C						[EDZ,EDJ,EDV,EJD,DD5,DDD,XAR]
12	05083344AA	1							SWITCH PACKAGE, Stop Lamp
13									PAD, Pedal
	04683021	1	Z						[DD5,DDD]
		1	C						[DD5,DDD]
	05102023AB	1	C						[DGL]
		1	Z						[DGL]
	05161789AA	1	C						[DGL,XAR]
	05273386AA	2	C						[DD5,DDD,XAR]
-14	04274258	1							TAPE, Radio Connector, Foam, Brake Switch Interlock Foam

PT CRUISER (PT)

SERIES LINE
H = HIGHLINE C = CHRYSLER
P = PREMIUM Z = CHRYSLER (RHD)
S = SPORT
X = SPECIAL

BODY
27 = 2-DR CONVERTIBLE
44 = HATCHBACK/QUAD
CAB CHASSIS LWB

ENGINE
EDJ = 2.2L 4 Cyl Turbo Diesel Engine
EDT = 2.4L 4 Cyl DOHC 16V Turbo Engine
EDV = 2.4L 4 Cyl DOHC 16V HO Turbo Engine
EDZ = 2.4L 4 Cyl DOHC 16V SMPI Engine
EJD = 1.6L 4 Cyl SOHC 16V SMPI

TRANSMISSION
DGL = 4-Speed Automatic Transmission
DD5 = 5-Speed Manual Transmission
DDD = 5-Speed HD Manual Transmission

AR = use ase required - = Non illustrated part

2006 PT

Group - 6

Clutch

Group - 6 Clutch

Illustration Title

Group-Fig. No.

Clutch

Clutch, Modular.....	Fig. 6 - 110
Conventional, Clutch & Pressure Plate.....	Fig. 6 - 120
Conventional, Clutch & Pressure Plate.....	Fig. 6 - 130
Conventional, Clutch & Pressure Plate.....	Fig. 6 - 140

Clutch Housing

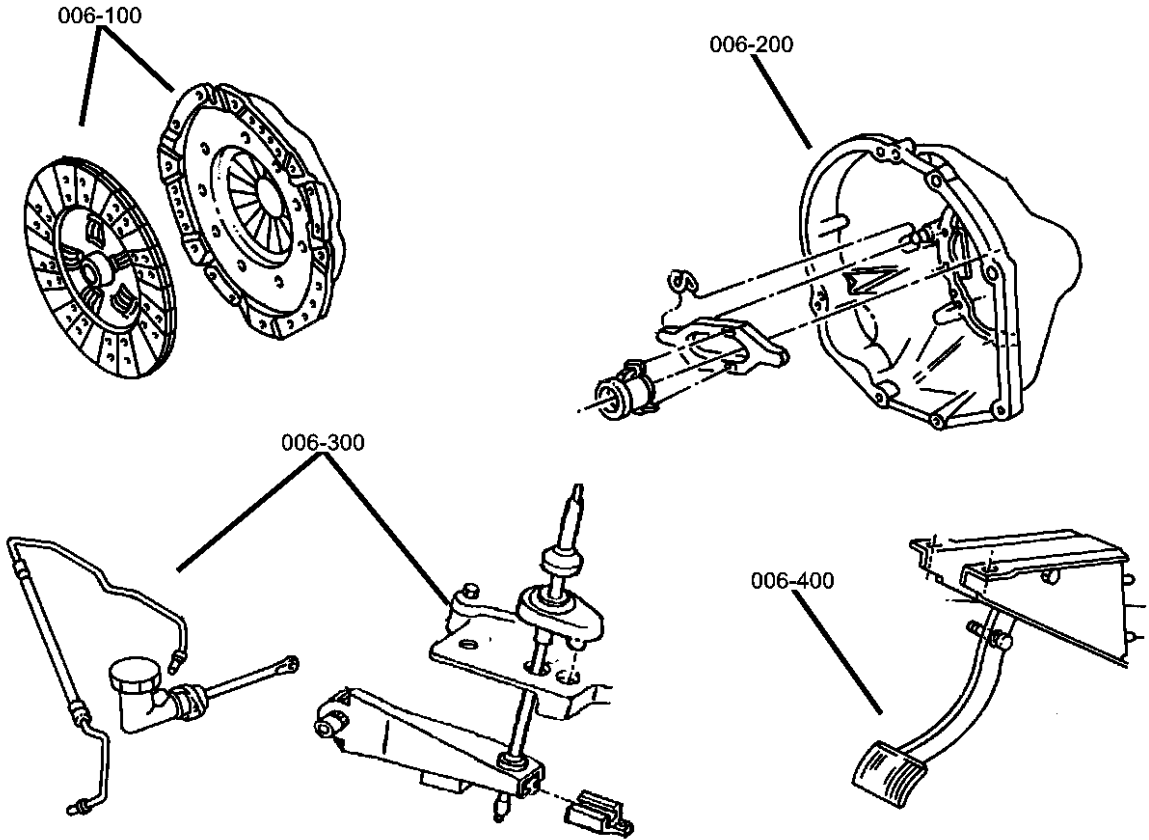
Housing, Clutch & Mounting Bolts.....	Fig. 6 - 210
---------------------------------------	--------------

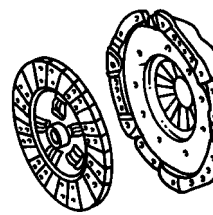
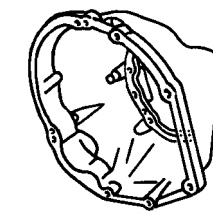
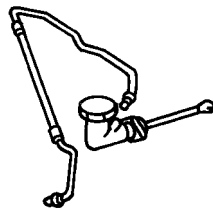
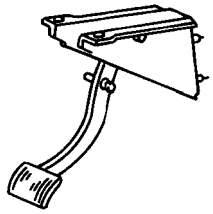
Clutch Controls

Linkage, Clutch / LHD.....	Fig. 6 - 310
Linkage, Clutch / LHD.....	Fig. 6 - 320
Linkage, Clutch / RHD.....	Fig. 6 - 330
Linkage, Clutch / RHD.....	Fig. 6 - 340

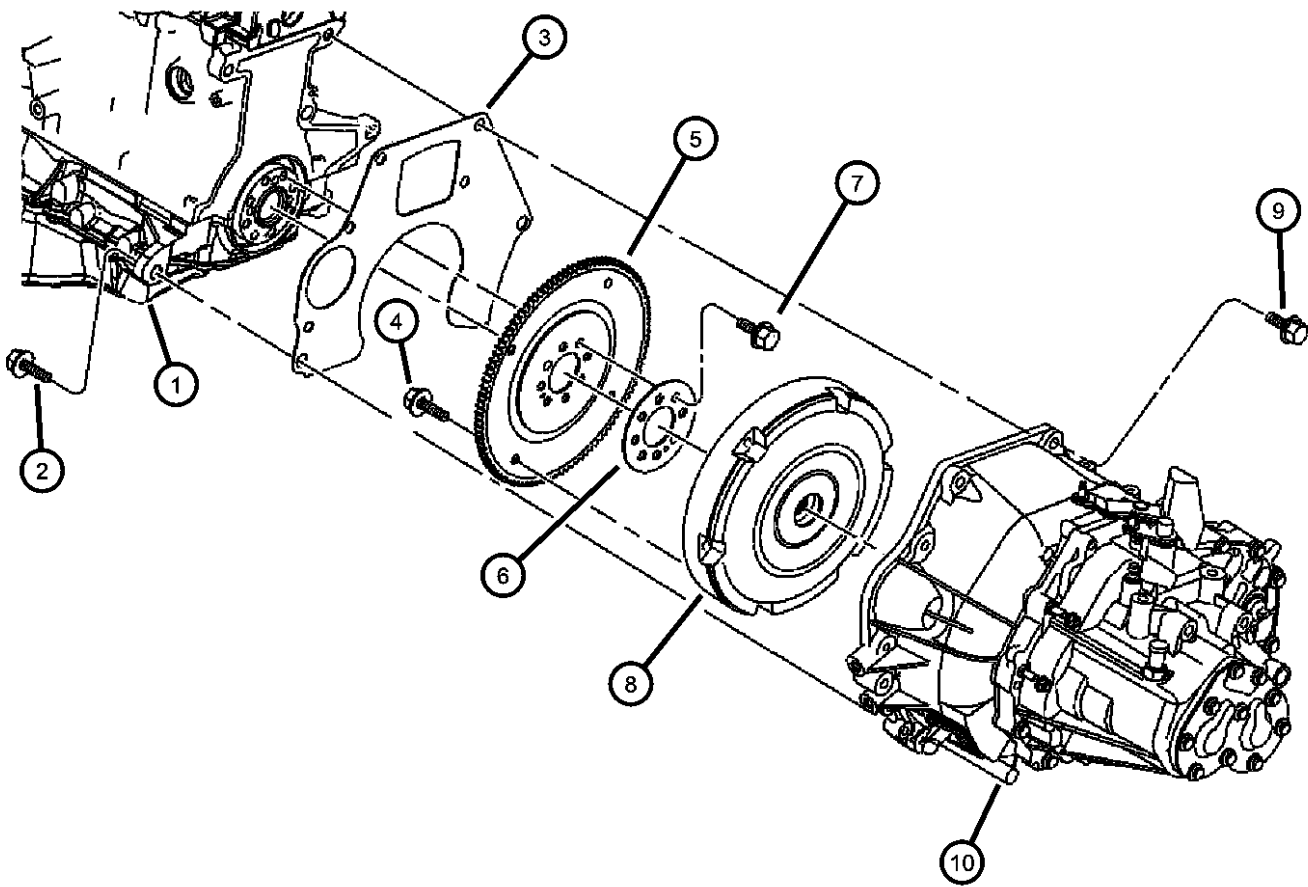
Clutch Pedals

Clutch Pedal.....	Fig. 6 - 410
Clutch Pedal.....	Fig. 6 - 415
Clutch Pedal.....	Fig. 6 - 420
Clutch Pedal.....	Fig. 6 - 425
Clutch Pedal.....	Fig. 6 - 430
Clutch Pedal.....	Fig. 6 - 435
Clutch Pedal.....	Fig. 6 - 445
Clutch Pedal.....	Fig. 6 - 450



<p>006-100 Clutch</p> 	<p>006-200 Clutch Housing</p> 	<p>006-300 Clutch Controls</p> 	<p>006-400 Clutch Pedals</p> 
---	--	--	---

Clutch, Modular
Figure 6-110



ITEM	PART NUMBER	QTY	LINE	SERIES	BODY	ENGINE	TRANS	TRIM	DESCRIPTION
1	04274258	1							ENGINE, Complete, See Engine Group, (NOT SERVICED)
2	06501742	4				EDZ	DD5		SCREW, Hex Head, M12x1.75x50
3	04593175AB	1				EDZ	DD5		COVER, Transmission Dust
4	06504383	4				EDZ	DD5		BOLT, Hex Head, M10x1.50 x 13.20
5	04567143	1				EDZ	DD5		PLATE, Drive Plate
6	04471933	1				EDT, EDV, EDZ			PLATE, Drive Plate Backing
7	06503465	8				EDT, EDV, EDZ, EJD			BOLT, Drive Plate and Flywheel
8	04668555AH	1				EDZ	DD5		CLUTCH, Modular
9	06501742	4				EDZ	DD5		SCREW, Hex Head, M12x1.75x50
10	06501742	4							TRANSMISSION, 5 Speed, See Transmission Group, (NOT SERVICED)

PT CRUISER (PT)

SERIES LINE
H = HIGHLINE C = CHRYSLER
P = PREMIUM Z = CHRYSLER (RHD)
S = SPORT
X = SPECIAL

BODY
27 = 2-DR CONVERTIBLE
44 = HATCHBACK/QUAD
CAB CHASSIS LWB

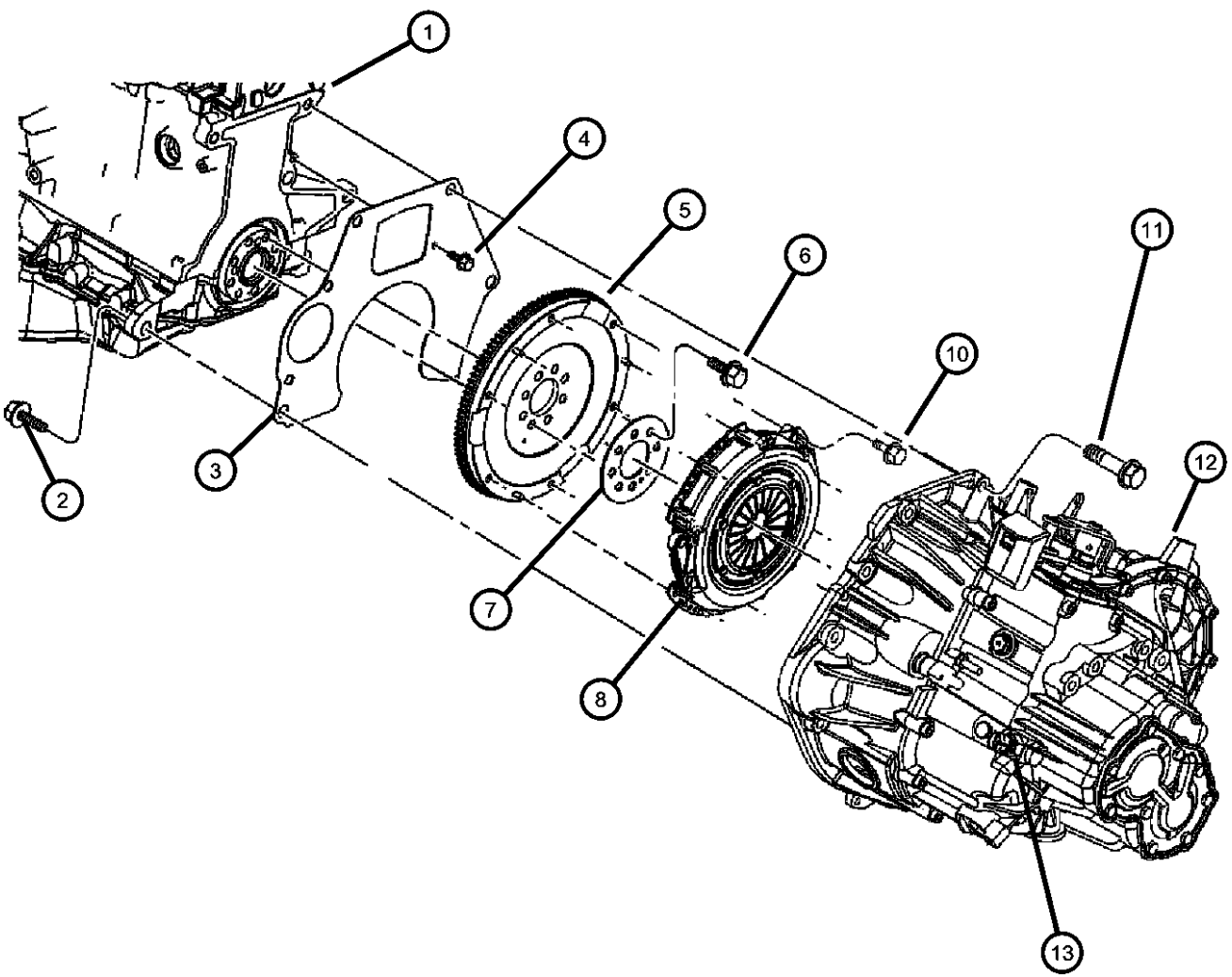
ENGINE
EDJ = 2.2L 4 Cyl Turbo Diesel Engine
EDT = 2.4L 4 Cyl DOHC 16V Turbo Engine
EDV = 2.4L 4 Cyl DOHC 16V HO Turbo Engine
EDZ = 2.4L 4 Cyl DOHC 16V SMPI Engine
EJD = 1.6L 4 Cyl SOHC 16V SMPI

TRANSMISSION
DGL = 4-Speed Automatic Transmission
DD5 = 5-Speed Manual Transmission
DDD = 5-Speed HD Manual Transmission

AR = use ase required - = Non illustrated part

2006 PT

**Conventional, Clutch & Pressure Plate
Figure 6-120**



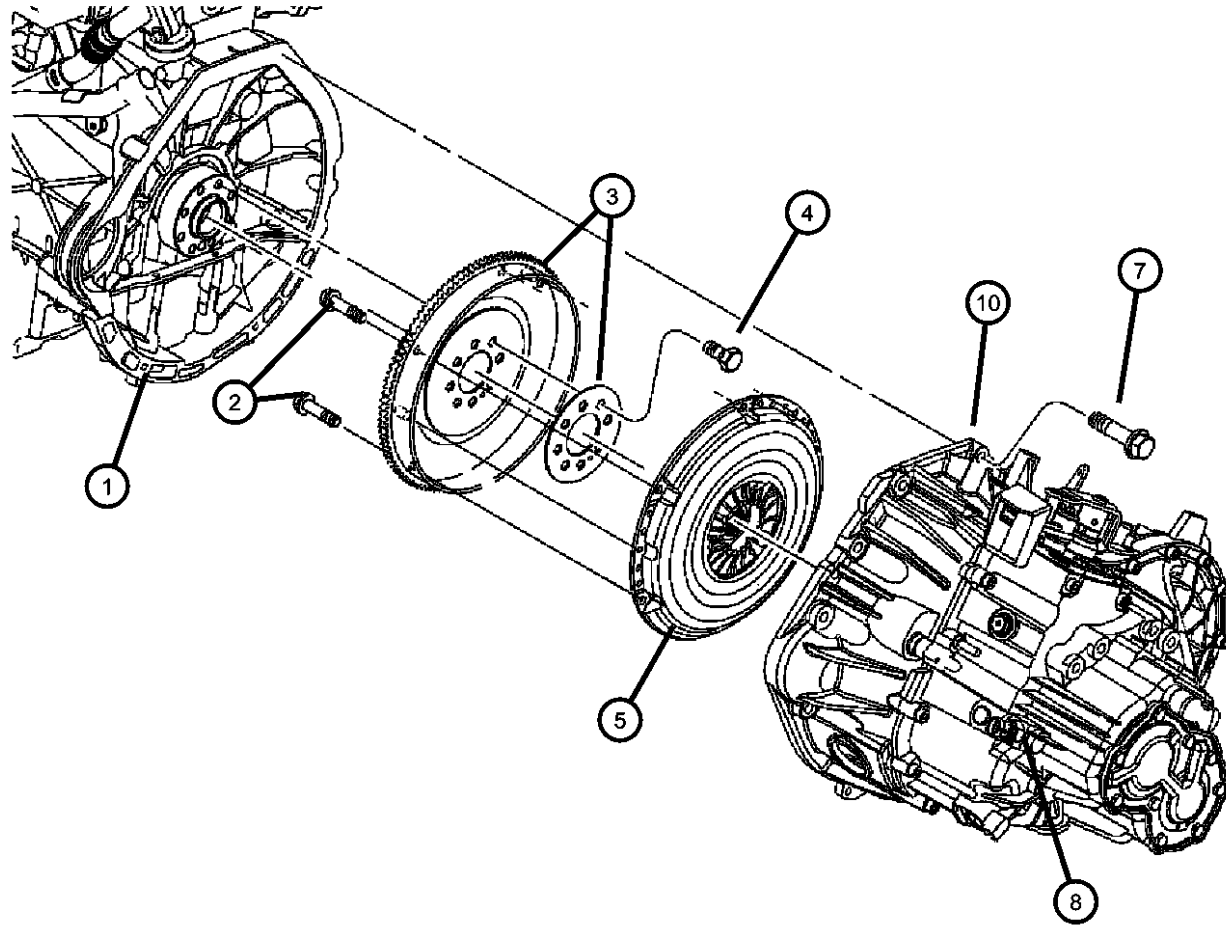
ITEM	PART NUMBER	QTY	LINE	SERIES	BODY	ENGINE	TRANS	TRIM	DESCRIPTION
1	06501742	4							ENGINE, Complete, See Engine Group, (NOT SERVICED)
2	06501742	3				EDV	DDD		SCREW, Hex Head, M12x1.75x50
3	04593175	1				EDV	DDD		COVER, Transmission Dust
4	06501755	2							SCREW AND WASHER, Hex Head, M6x1x16
5	05062017AC	1				EDV	DDD		FLYWHEEL
6	06503465	8				EDT, EDV, EDZ, EJD			BOLT, Drive Plate and Flywheel
7	04471933	1				EDT, EDV, EDZ			PLATE, Drive Plate Backing
8	05103260AB	1				EDV	DDD		CLUTCH KIT, Manual Transmission
-9	05062015AB	1				EDV	DDD		DISC, Clutch
10	06101727	6				EDV	DDD		BOLT, Hex Head
11	06501742	3				EDV	DDD		SCREW, Hex Head, M12x1.75x50
12	06501742	3							TRANSMISSION, 5 Speed, See Transmission Group, (NOT SERVICED)
13	05083756AA	1				EDV	DDD		SWITCH, Back Up Lamp

PT CRUISER (PT)

SERIES	LINE	BODY	ENGINE	TRANSMISSION
H = HIGHLINE	C = CHRYSLER	27 = 2-DR CONVERTIBLE	EDJ = 2.2L 4 Cyl Turbo Diesel Engine	DGL = 4-Speed Automatic Transmission
P = PREMIUM	Z = CHRYSLER (RHD)	44 = HATCHBACK/QUAD CAB CHASSIS LWB	EDT = 2.4L 4 Cyl DOHC 16V Turbo Engine	DD5 = 5-Speed Manual Transmission
S = SPORT			EDV = 2.4L 4 Cyl DOHC 16V HO Turbo Engine	DDD = 5-Speed HD Manual Transmission
X = SPECIAL			EDZ = 2.4L 4 Cyl DOHC 16V SMPI Engine	
			EJD = 1.6L 4 Cyl SOHC 16V SMPI	

AR = use ase required - = Non illustrated part

**Conventional, Clutch & Pressure Plate
Figure 6-130**



ITEM	PART NUMBER	QTY	LINE	SERIES	BODY	ENGINE	TRANS	TRIM	DESCRIPTION
1	05083756AA	1							ENGINE, Complete, See Engine Group, (NOT SERVICED)
2	06507202AA	6				EDJ	DDD		SCREW, Hex Head
3	05073609AA	1				EDJ			FLYWHEEL
4	05073700AB	8				EDJ			SCREW
5	04668725AE	1				EDJ	DDD		PLATE, Clutch Pressure
-6	04668681AE	1				EDJ	DDD		DISC, Clutch
7	06101054	6				EDJ	DD5, DDD		BOLT AND WASHER, Hex Head, M10x1.5x40
8	05083756AA	1				EDJ	DDD		SWITCH, Back Up Lamp
-9	05083757AA	1				EDJ	DDD		VENT, Cap
10	05083757AA	1							TRANSMISSION, 5 Speed, See Transmission Group, (NOT SERVICED)

PT CRUISER (PT)

SERIES LINE
H = HIGHLINE C = CHRYSLER
P = PREMIUM Z = CHRYSLER (RHD)
S = SPORT
X = SPECIAL

BODY
27 = 2-DR CONVERTIBLE
44 = HATCHBACK/QUAD
CAB CHASSIS LWB

ENGINE TRANSMISSION
EDJ = 2.2L 4 Cyl Turbo Diesel Engine
EDT = 2.4L 4 Cyl DOHC 16V Turbo Engine
EDV = 2.4L 4 Cyl DOHC 16V HO Turbo Engine
EDZ = 2.4L 4 Cyl DOHC 16V SMPI Engine
EJD = 1.6L 4 Cyl SOHC 16V SMPI
DGL = 4-Speed Automatic Transmission
DD5 = 5-Speed Manual Transmission
DDD = 5-Speed HD Manual Transmission

AR = use ase required - = Non illustrated part

2006 PT

**Conventional, Clutch & Pressure Plate
Figure 6-140**

ITEM	PART NUMBER	QTY	LINE	SERIES	BODY	ENGINE	TRANS	TRIM	DESCRIPTION
------	-------------	-----	------	--------	------	--------	-------	------	-------------

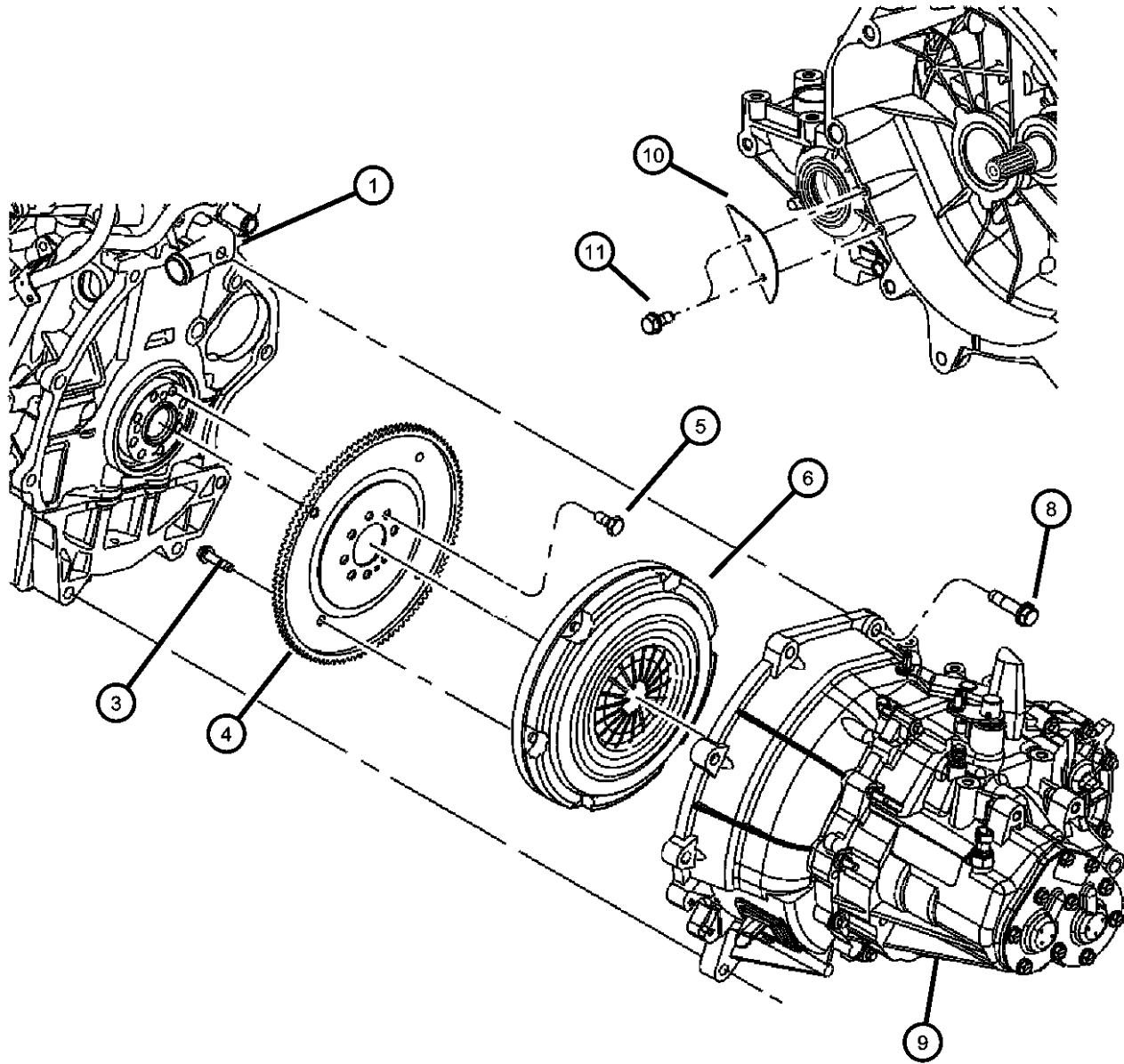
NOTE:

Sales Codes:

[DD5]=5 Speed Manual Transmission - A578

[EJD]=1.6L 4 Cyl. SOHC 16V Engine

1	05083757AA	1							ENGINE, Complete, See Engine Group, (NOT SERVICED)
-2	04777928AA	2				EJD			DOWEL, Block To Clutch Housing
3	06101727	6				EJD	DD5		BOLT, Hex Head
4	04668504AB	1				EJD	DD5		FLYWHEEL
5	06503464	8				EJD	DD5		BOLT, Flywheel
6	04668608AD	1				EJD	DD5		PLATE KIT, Clutch Pressure, Includes Pressure Plate & Clutch Disc
-7	04668503AC	1				EJD	DD5		DISC, Clutch
8	06501742	6				EJD	DD5		SCREW, Hex Head, M12x1.75x50
9	06501742	6							TRANSAXLE, See Transmission Group, (NOT SERVICED)
10	04668514AA	1				EJD	DD5		COVER, Transaxle Converter
11	06501755	1				EDJ, EJD			SCREW AND WASHER, Hex Head, M6x1x16



PT CRUISER (PT)

SERIES LINE
H = HIGHLINE C = CHRYSLER
P = PREMIUM Z = CHRYSLER (RHD)
S = SPORT
X = SPECIAL

BODY
27 = 2-DR CONVERTIBLE
44 = HATCHBACK/QUAD
CAB CHASSIS LWB

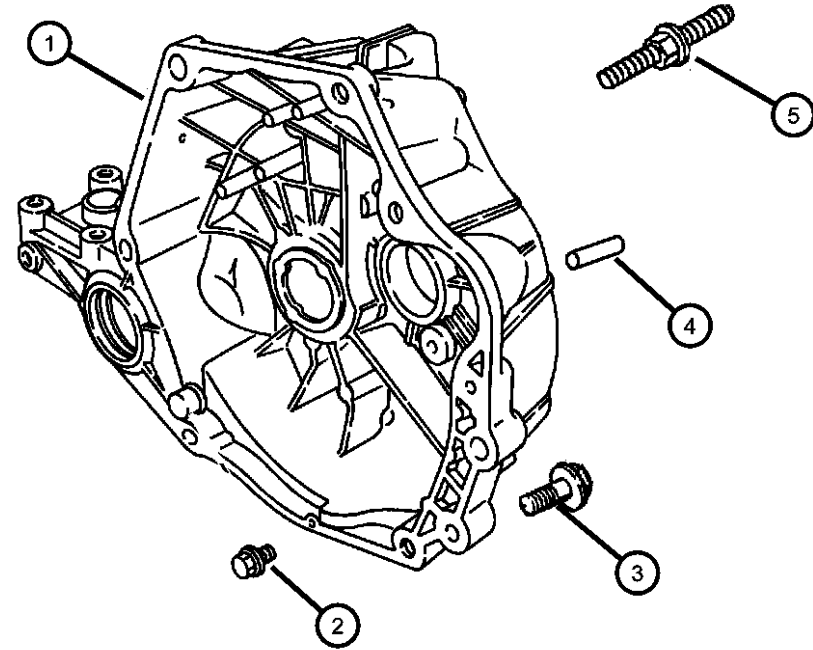
ENGINE
EDJ = 2.2L 4 Cyl Turbo Diesel Engine
EDT = 2.4L 4 Cyl DOHC 16V Turbo Engine
EDV = 2.4L 4 Cyl DOHC 16V HO Turbo Engine
EDZ = 2.4L 4 Cyl DOHC 16V SMPI Engine
EJD = 1.6L 4 Cyl SOHC 16V SMPI

TRANSMISSION
DGL = 4-Speed Automatic Transmission
DD5 = 5-Speed Manual Transmission
DDD = 5-Speed HD Manual Transmission

AR = use ase required - = Non illustrated part

2006 PT

Housing, Clutch & Mounting Bolts
Figure 6-210



ITEM	PART NUMBER	QTY	LINE	SERIES	BODY	ENGINE	TRANS	TRIM	DESCRIPTION
NOTE: Sales Codes: [DDD]=5 Speed Manual Transmission - [G288] [ECC]=2.0L 4 Cyl. DOHC 16V Engine [EDJ]=2.2L 4 Cyl. Turbo Diesel Engine [EDT]=2.4L 4 Cyl. DOHC Turbo Engine [EDZ]=2.4L 4Cyl. DOHC 16V Engine [EDV]=2.4L 16V DOHC 4 Cylinder High OutputTurbo Engine [EJD]=1.6L 4 Cyl. SOHC 16V Engine [DD5]=5 Speed Manual Transmission - A578									
1									HOUSING, Clutch
	05102888AA	1				EDZ	DD5		
	05134986AA	1				EJD	DD5		
	05175700AA	1				EDV	DDD		
	05175775AA	1				EDJ	DDD		
2	06501755	1				EDJ, EJD			SCREW AND WASHER, Hex Head, M6x1x16
3									SCREW, Hex Head, M12x1.75x50
	06501742	4				EDZ	DD5		
		3				EDV	DDD		
		6				EJD	DD5		
4									PIN, Locating
	04761099	2				EDZ	DD5		
		2				EJD	DD5		
		1				EJD	DD5		
		1				EDZ	DD5		
5									STUD
	06506423AA	1				EDT, EDV			
		1				EDZ			
	06507317AA	1				EJD			

PT CRUISER (PT)

SERIES LINE
H = HIGHLINE C = CHRYSLER
P = PREMIUM Z = CHRYSLER (RHD)
S = SPORT
X = SPECIAL

BODY
27 = 2-DR CONVERTIBLE
44 = HATCHBACK/QUAD
CAB CHASSIS LWB

ENGINE
EDJ = 2.2L 4 Cyl Turbo Diesel Engine
EDT = 2.4L 4 Cyl DOHC 16V Turbo Engine
EDV = 2.4L 4 Cyl DOHC 16V HO Turbo Engine
EDZ = 2.4L 4 Cyl DOHC 16V SMPI Engine
EJD = 1.6L 4 Cyl SOHC 16V SMPI

TRANSMISSION
DGL = 4-Speed Automatic Transmission
DD5 = 5-Speed Manual Transmission
DDD = 5-Speed HD Manual Transmission

AR = use ase required - = Non illustrated part

2006 PT

Linkage, Clutch / LHD
Figure 6-310

ITEM	PART NUMBER	QTY	LINE	SERIES	BODY	ENGINE	TRANS	TRIM	DESCRIPTION
------	-------------	-----	------	--------	------	--------	-------	------	-------------

Note:
Sales Codes;
[DD5]=5-Speed Manual Transmission
[DGL]=4-Speed Automatic Transmission
[EDZ]=2.4L 4 Cylinder DOHC 16 Valve SMPI Engine
[EJD]=1.6L 4 Cylinder SOHC 16 Valve SMPI

1	06100050	2							NUT AND WASHER, Hex, M8x1.25, Actuator/Cover To Dash, Mounting
2	04668671AA	1	C				DGL		GASKET, Master Cylinder, Actuator Cover To Dash, Mounting
3	04668637AA	1	C				DGL		COVER, Actuator, Use With [DGL] Transmission Only
4									SCREW AND WASHER, Hex Head, M5x.8x14
	06500776	1	C			EDZ	DD5		Master Cylinder Pushrod Adjusting
		1	C			EJD	DD5		Master Cylinder Pushrod Adjusting
5									BUSHING, Hydraulic Clutch Actuator
	04670265	1				EJD	DD5		
		1				EDZ	DD5		
6									ACTUATOR, Hydraulic Clutch
	05273512AA	1	C			EDZ	DD5		
	05273516AA	1	C			EJD	DD5		
7	06505900AA	1							SCREW, Tapping Hex Flange Head, M6.3 x 1.81 x 19.00, Reservoir Bracket, Mounting
8	04670268	1					DD5, DDD		CLIP, Clutch Tube Mounting
9									CLIP
	04668977AA	1	C			EDZ	DD5		
		1	C			EJD	DD5		
10									SCREW
	06501957	2				EDZ	DD5		Clutch Slave Cylinder, Mounting
		2				EJD	DD5		Clutch Slave Cylinder, Mounting
11									PIN AND SEAL KIT, Clutch Slave Cylinder
	05086841AA	1	C			EDZ	DD5		

PT CRUISER (PT)

SERIES LINE
H = HIGHLINE C = CHRYSLER
P = PREMIUM Z = CHRYSLER (RHD)
S = SPORT
X = SPECIAL

BODY
27 = 2-DR CONVERTIBLE
44 = HATCHBACK/QUAD
CAB CHASSIS LWB

ENGINE
EDJ = 2.2L 4 Cyl Turbo Diesel Engine
EDT = 2.4L 4 Cyl DOHC 16V Turbo Engine
EDV = 2.4L 4 Cyl DOHC 16V HO Turbo Engine
EDZ = 2.4L 4 Cyl DOHC 16V SMPI Engine
EJD = 1.6L 4 Cyl SOHC 16V SMPI

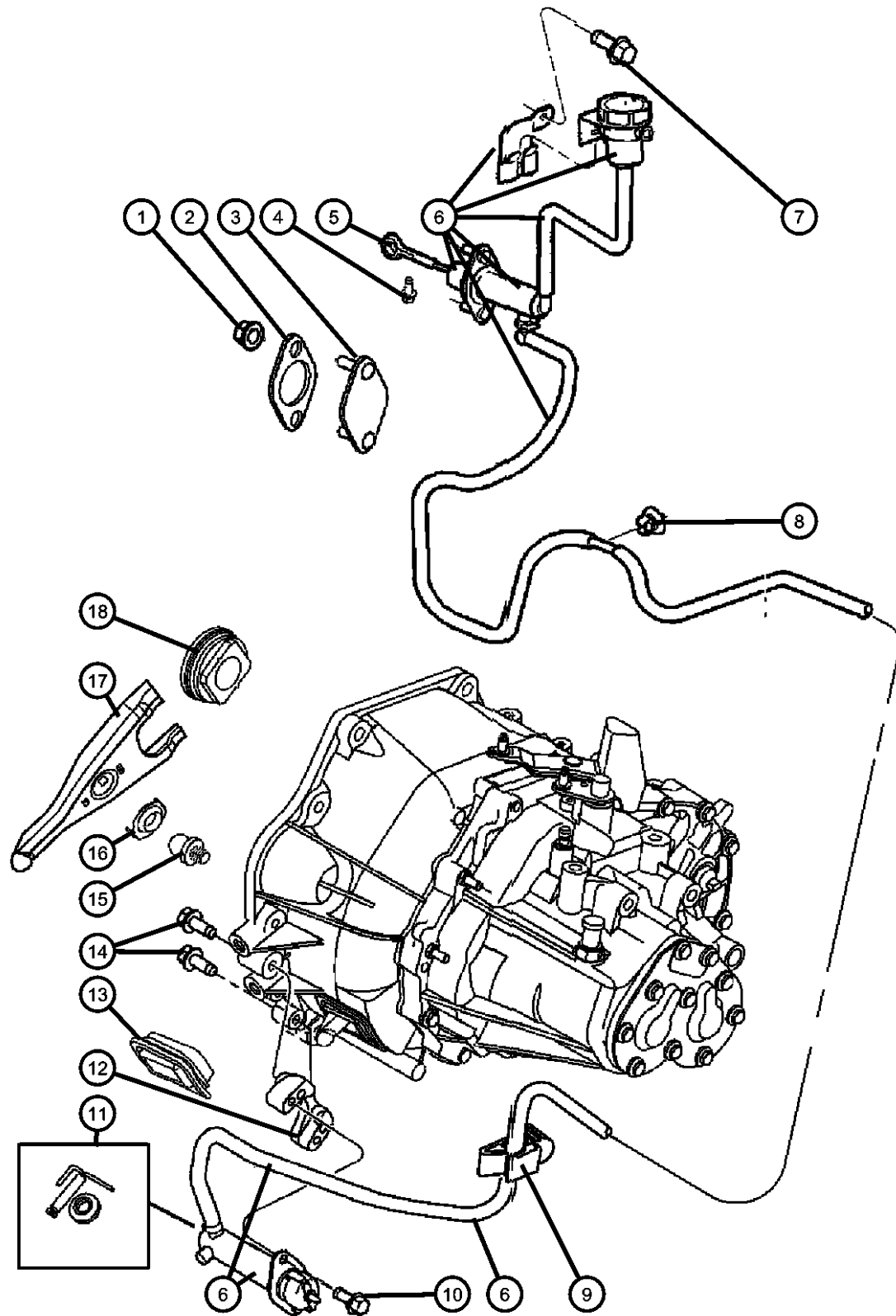
TRANSMISSION
DGL = 4-Speed Automatic Transmission
DD5 = 5-Speed Manual Transmission
DDD = 5-Speed HD Manual Transmission

AR = use ase required - = Non illustrated part

2006 PT

Linkage, Clutch / LHD
Figure 6-310

ITEM	PART NUMBER	QTY	LINE	SERIES	BODY	ENGINE	TRANS	TRIM	DESCRIPTION
12	04670237AB	1	C			EJD	DD5		BRACKET, Clutch Slave CylinderMounting BOOT, Clutch Release Lever
13	04670071	1				EDZ	DD5		
14	06101614	2				EJD	DD5		SCREW AND WASHER, Hex Head, M8x1.25x45 Clutch Slave Cylinder, Mounting Clutch Slave Cylinder, Mounting PIVOT, Clutch Release Lever
15	04670240	1				EDZ	DD5		
16	05019842AA	1				EJD	DD5		CLIP, Clutch Release
17	04796665	1				EDZ	DD5		LEVER PACKAGE, Clutch Release
18	04670026AB	1				EJD	DD5		BEARING, Clutch Release



PT CRUISER (PT)

SERIES LINE
H = HIGHLINE C = CHRYSLER
P = PREMIUM Z = CHRYSLER (RHD)
S = SPORT
X = SPECIAL

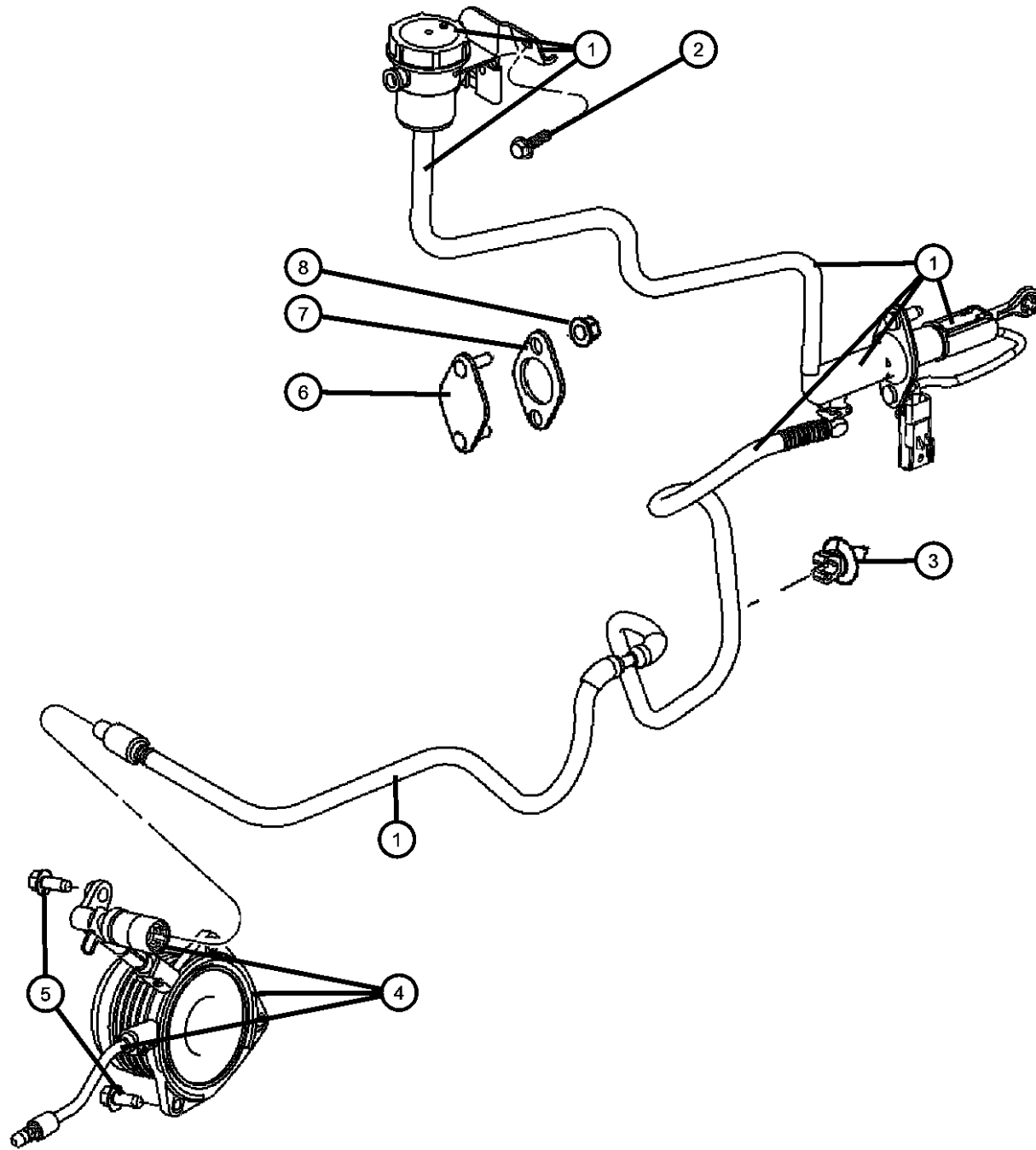
BODY
27 = 2-DR CONVERTIBLE
44 = HATCHBACK/QUAD
CAB CHASSIS LWB

ENGINE TRANSMISSION
EDJ = 2.2L 4 Cyl Turbo Diesel Engine
EDT = 2.4L 4 Cyl DOHC 16V Turbo Engine
EDV = 2.4L 4 Cyl DOHC 16V HO Turbo Engine
EDZ = 2.4L 4 Cyl DOHC 16V SMPI Engine
EJD = 1.6L 4 Cyl SOHC 16V SMPI
DGL = 4-Speed Automatic Transmission
DD5 = 5-Speed Manual Transmission
DDD = 5-Speed HD Manual Transmission

AR = use ase required - = Non illustrated part

2006 PT

Linkage, Clutch / LHD
Figure 6-320



ITEM	PART NUMBER	QTY	LINE	SERIES	BODY	ENGINE	TRANS	TRIM	DESCRIPTION
------	-------------	-----	------	--------	------	--------	-------	------	-------------

Note:
Sales Codes;
[DDD]=5-Speed HD Manual Transmission
[DGL]=4-Speed Automatic Transmission
[EDJ]=2.2L 4 Cylinder Turbo Diesel Engine
[EDV]=2.4L 4 Cylinder DOHC 16V HO Turbo Engine

1	05273518AB	1	C			EDJ, EDV	DDD		ACTUATOR, Hydraulic Clutch
2	06505900AA	1	C				DD5, DDD		SCREW, Tapping Hex Flange Head, M6.3 x 1.81 x 19.00, Reservoir Bracket, Mounting
3	04670268	1					DD5, DDD		CLIP, Clutch TubeMounting
4	05273382AB	1				EDV	DDD		CYLINDER, Clutch Slave
5	05083955AA	4				EDV	DDD		BOLT, Hex Head, M6x20 Clutch Slave Cylinder, Mounting
		4				EDJ	DDD		Clutch Slave Cylinder, Mounting
6	04668637AA	1	C				DGL		COVER, Actuator, Use With [DGL] Transmission Only, Mounting
7	04668671AA	1	C				DGL		GASKET, Master Cylinder, Use With [DGL] Transmission Only, Mounting
8	06100050	2							NUT AND WASHER, Hex, M8x1.25, Actuator To Dash

PT CRUISER (PT)

SERIES LINE
H = HIGHLINE C = CHRYSLER
P = PREMIUM Z = CHRYSLER (RHD)
S = SPORT
X = SPECIAL

BODY
27 = 2-DR CONVERTIBLE
44 = HATCHBACK/QUAD
CAB CHASSIS LWB

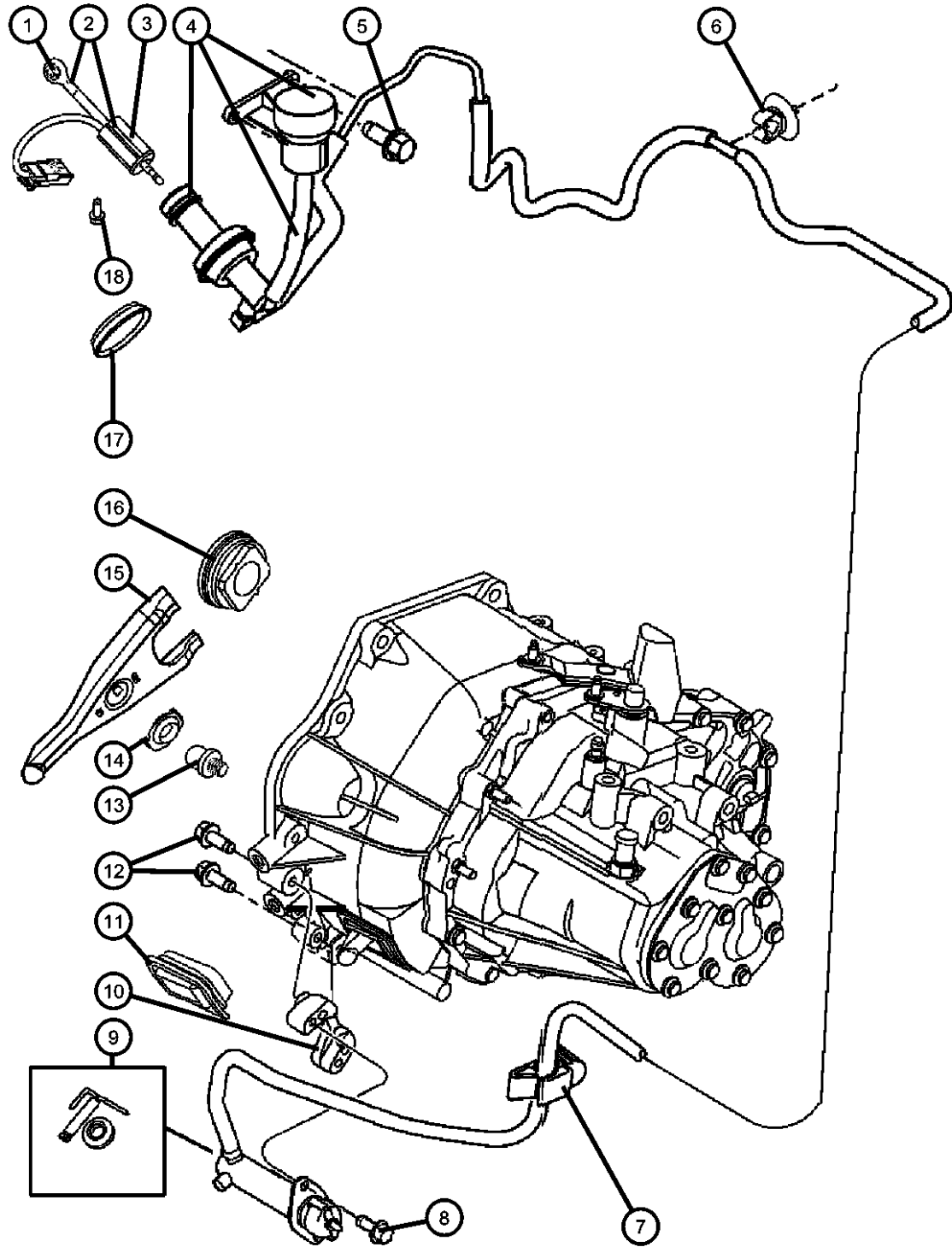
ENGINE
EDJ = 2.2L 4 Cyl Turbo Diesel Engine
EDT = 2.4L 4 Cyl DOHC 16V Turbo Engine
EDV = 2.4L 4 Cyl DOHC 16V HO Turbo Engine
EDZ = 2.4L 4 Cyl DOHC 16V SMPI Engine
EJD = 1.6L 4 Cyl SOHC 16V SMPI

TRANSMISSION
DGL = 4-Speed Automatic Transmission
DD5 = 5-Speed Manual Transmission
DDD = 5-Speed HD Manual Transmission

AR = use ase required - = Non illustrated part

2006 PT

Linkage, Clutch / RHD
Figure 6-330



ITEM	PART NUMBER	QTY	LINE	SERIES	BODY	ENGINE	TRANS	TRIM	DESCRIPTION
------	-------------	-----	------	--------	------	--------	-------	------	-------------

Note: Sales Codes;
 [DD5]=5-Speed Manual Transmission
 [DGL]=4-SPEED Automatic Transmission
 [EDZ]=2.4L 4 Cylinder DOHC 16V SMPI Engine

1	04670265	1				EDZ	DD5		BUSHING, Hydraulic Clutch Actuator
2	04668692AB	1	Z			EDZ	DD5		ROD, Clutch Master Cylinder, With Interlock Switch
3	04671765AB	1	Z			EDZ	DD5		SWITCH, Clutch Starter Interlock
4	05273710AB	1	Z			EDZ	DD5		ACTUATOR, Hydraulic Clutch
5	06505900AA	1							SCREW, Tapping Hex Flange Head, M6.3 x 1.81 x 19.00
6	04670268	1					DD5, DDD		CLIP, Clutch TubeMounting
7	04668977AA	1	Z			EDZ	DD5		CLIP
8	06501957	2				EDZ	DD5		SCREW, Clutch Slave Cylinder, Mounting
9	05086841AA	1	Z			EDZ	DD5		PIN AND SEAL KIT, Clutch Slave Cylinder
10	04670237AB	1				EDZ	DD5		BRACKET, Clutch Slave CylinderMounting
11	04670071	1				EDZ	DD5		BOOT, Clutch Release Lever
12	06101614	2				EDZ	DD5		SCREW AND WASHER, Hex Head, M8x1.25x45, Clutch Slave Cylinder, Mounting
13	04670240	1				EDZ	DD5		PIVOT, Clutch Release Lever
14	05019842AA	1				EDZ	DD5		CLIP, Clutch Release
15	04796665	1				EDZ	DD5		LEVER PACKAGE, Clutch Release
16	04670026AB	1				EDZ	DD5		BEARING, Clutch Release
17	55023694	1	Z				DGL		PLUG, Body, 2 Inch OD, Use Only With [DGL] Transmission
18	06500776	1				EDZ, EJD	DD5		SCREW AND WASHER, Hex Head, M5x.8x14

PT CRUISER (PT)

SERIES LINE
 H = HIGHLINE C = CHRYSLER
 P = PREMIUM Z = CHRYSLER (RHD)
 S = SPORT
 X = SPECIAL

BODY
 27 = 2-DR CONVERTIBLE
 44 = HATCHBACK/QUAD
 CAB CHASSIS LWB

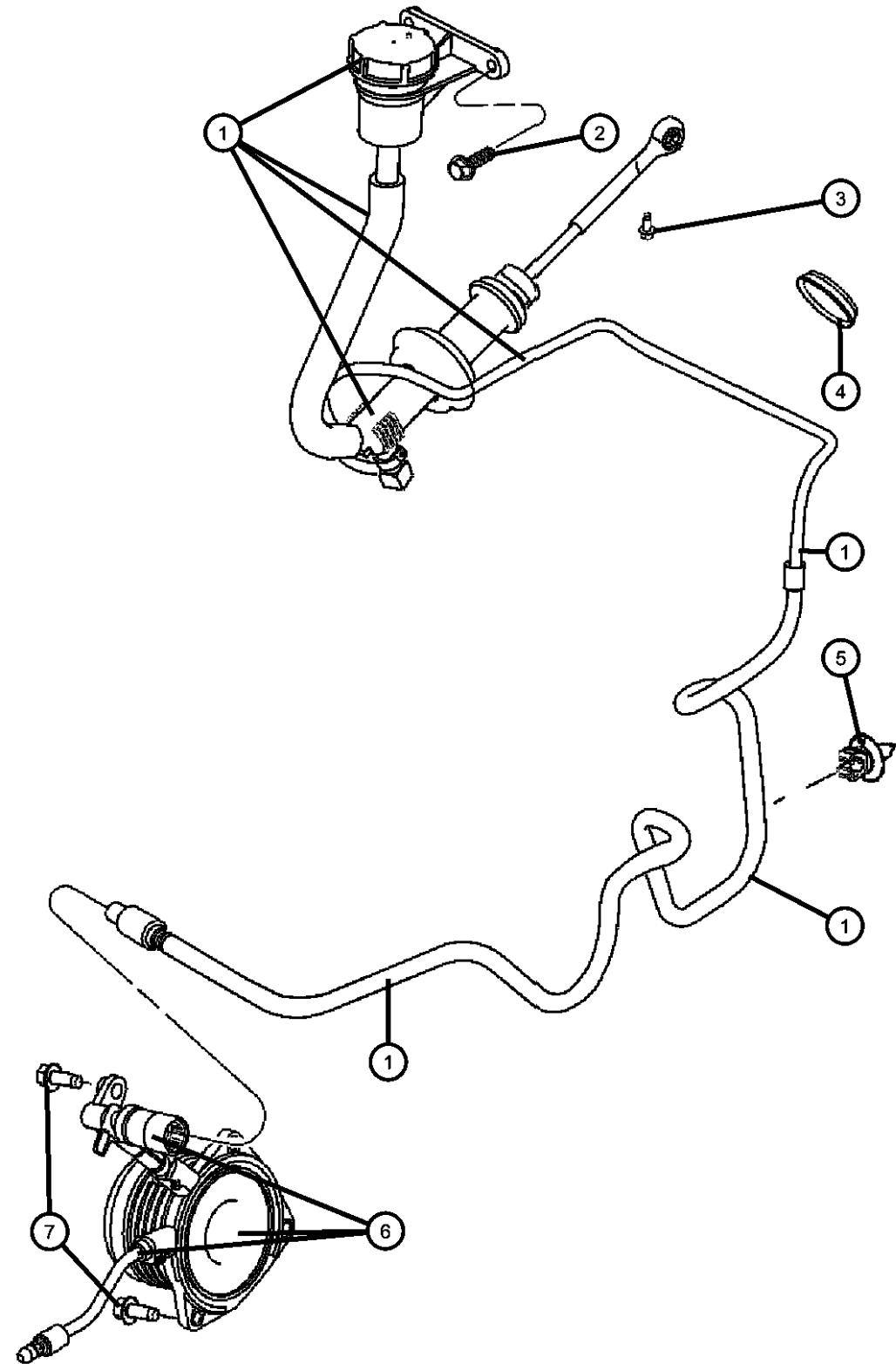
ENGINE
 EDJ = 2.2L 4 Cyl Turbo Diesel Engine
 EDT = 2.4L 4 Cyl DOHC 16V Turbo Engine
 EDV = 2.4L 4 Cyl DOHC 16V HO Turbo Engine
 EDZ = 2.4L 4 Cyl DOHC 16V SMPI Engine
 EJD = 1.6L 4 Cyl SOHC 16V SMPI

TRANSMISSION
 DGL = 4-Speed Automatic Transmission
 DD5 = 5-Speed Manual Transmission
 DDD = 5-Speed HD Manual Transmission

AR = use ase required - = Non illustrated part

2006 PT

Linkage, Clutch / RHD
Figure 6-340



ITEM	PART NUMBER	QTY	LINE	SERIES	BODY	ENGINE	TRANS	TRIM	DESCRIPTION
------	-------------	-----	------	--------	------	--------	-------	------	-------------

Note:
Sales Codes;
[DDD]=5-Speed HD Manual Transmission
[EDJ]=2.2L 4 Cylinder Turbo Diesel Engine

1	05273423AA	1	Z			EDJ	DDD		ACTUATOR, Hydraulic Clutch
2	06505900AA	2				EDJ			SCREW, Tapping Hex Flange Head, M6.3 x 1.81 x 19.00
3	06500776	1				EDJ, EDV	DDD		SCREW AND WASHER, Hex Head, M5x.8x14, Master Cylinder Pushrod Adjusting
4	55023694	1	Z				DGL		PLUG, Body, 2 Inch OD, Use Only With [DGL] Transmission
5	04670268	1					DD5, DDD		CLIP, Clutch TubeMounting
6	05273382AB	1				EDJ	DDD		CYLINDER, Clutch Slave
7	05083955AA	4				EDJ	DDD		BOLT, Hex Head, M6x20

PT CRUISER (PT)

SERIES LINE
H = HIGHLINE C = CHRYSLER
P = PREMIUM Z = CHRYSLER (RHD)
S = SPORT
X = SPECIAL

BODY
27 = 2-DR CONVERTIBLE
44 = HATCHBACK/QUAD
CAB CHASSIS LWB

ENGINE
EDJ = 2.2L 4 Cyl Turbo Diesel Engine
EDT = 2.4L 4 Cyl DOHC 16V Turbo Engine
EDV = 2.4L 4 Cyl DOHC 16V HO Turbo Engine
EDZ = 2.4L 4 Cyl DOHC 16V SMPI Engine
EJD = 1.6L 4 Cyl SOHC 16V SMPI

TRANSMISSION
DGL = 4-Speed Automatic Transmission
DD5 = 5-Speed Manual Transmission
DDD = 5-Speed HD Manual Transmission

AR = use ase required - = Non illustrated part

2006 PT

**Clutch Pedal
Figure 6-410**

ITEM	PART NUMBER	QTY	LINE	SERIES	BODY	ENGINE	TRANS	TRIM	DESCRIPTION
------	-------------	-----	------	--------	------	--------	-------	------	-------------

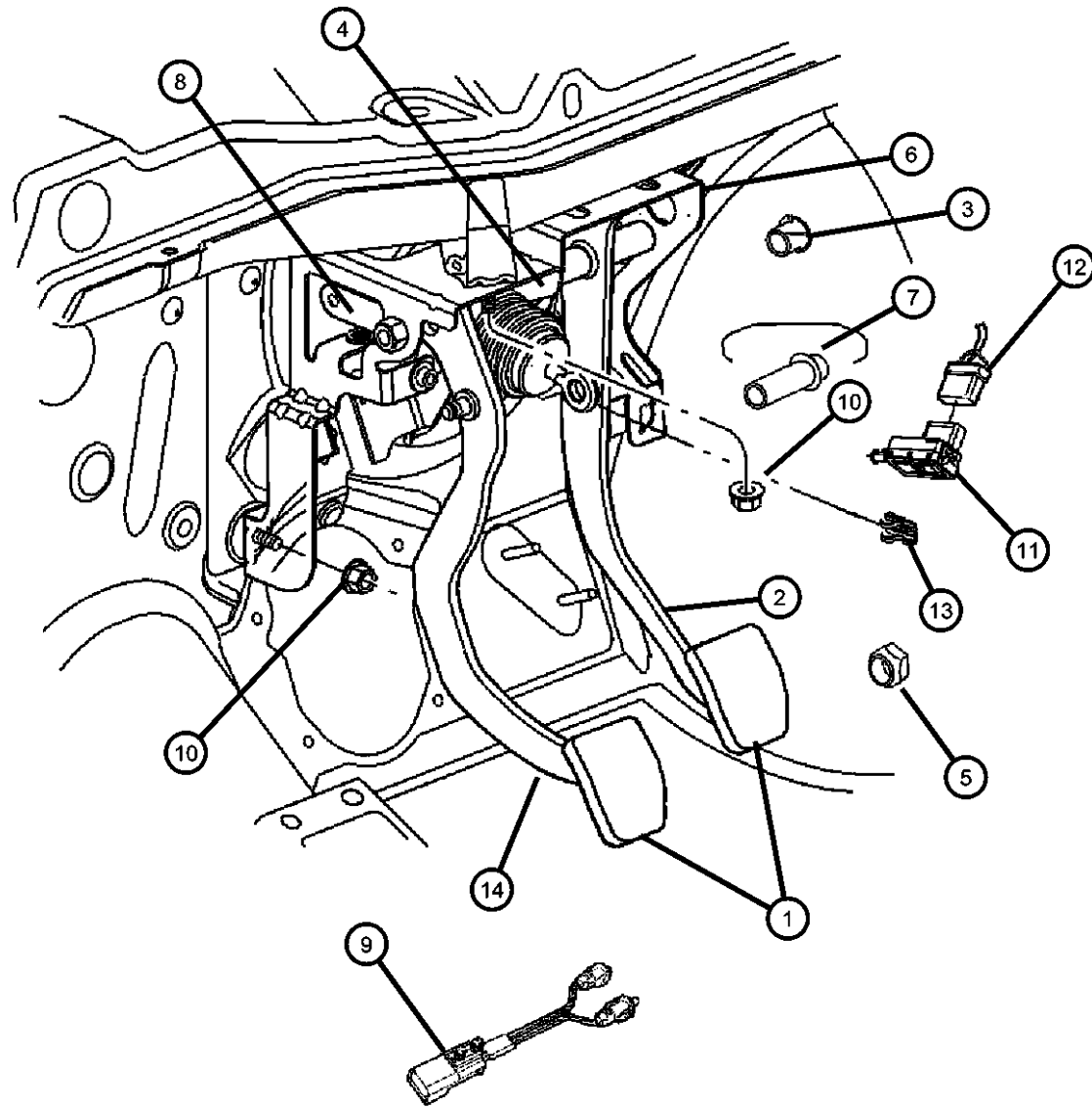
NOTE:

Sales Codes:

[DDD]=5 Speed Heavy Duty Manual Transmission - [G288]

[EDJ]=2.2L 4 Cyl. Turbo Diesel Engine

1	04683021	1	Z			EDJ	DDD		PAD, Pedal
2	04509846AA	1	Z			EDJ	DDD		PEDAL, Brake
3	02467770	4	Z			EDJ	DDD		BUSHING, Pedal Shaft
4	04860014AA	1	Z			EDJ	DDD		SHAFT, Brake Pedal Pivot
5	06500197	1	Z			EDJ	DDD		NUT, M10x1.5
6	05273136AA	1	Z			EDJ	DDD		BRACKET, Brake Pedal, Brake & Clutch Main Bracket Assembly
7	06504043	2	Z			EDJ	DDD		PIN, Push, M8.6x19, Brake Bracket Assembly To Tie Bar
8	04860035AA	1	Z			EDJ	DDD		BRACKET, Brake Pedal, Tie Bar Impact Stop
9	05293187AC	1	Z			EDJ	DDD		SWITCH, Clutch Starter Interlock
10	06100050	4							NUT AND WASHER, Hex, M8x1.25
11	05083344AA	1							SWITCH PACKAGE, Stop Lamp
12	05083344AA	1							WIRING, Headlamp to Dash, See Electrical Group, (NOT SERVICED)
13	06035334	1							CLIP, Brake Push Rod
14	04668789AB	1	Z			EDJ	DDD		PEDAL, Clutch



PT CRUISER (PT)

SERIES LINE
H = HIGHLINE C = CHRYSLER
P = PREMIUM Z = CHRYSLER (RHD)
S = SPORT
X = SPECIAL

BODY
27 = 2-DR CONVERTIBLE
44 = HATCHBACK/QUAD
CAB CHASSIS LWB

ENGINE
EDJ = 2.2L 4 Cyl Turbo Diesel Engine
EDT = 2.4L 4 Cyl DOHC 16V Turbo Engine
EDV = 2.4L 4 Cyl DOHC 16V HO Turbo Engine
EDZ = 2.4L 4 Cyl DOHC 16V SMPI Engine
EJD = 1.6L 4 Cyl SOHC 16V SMPI

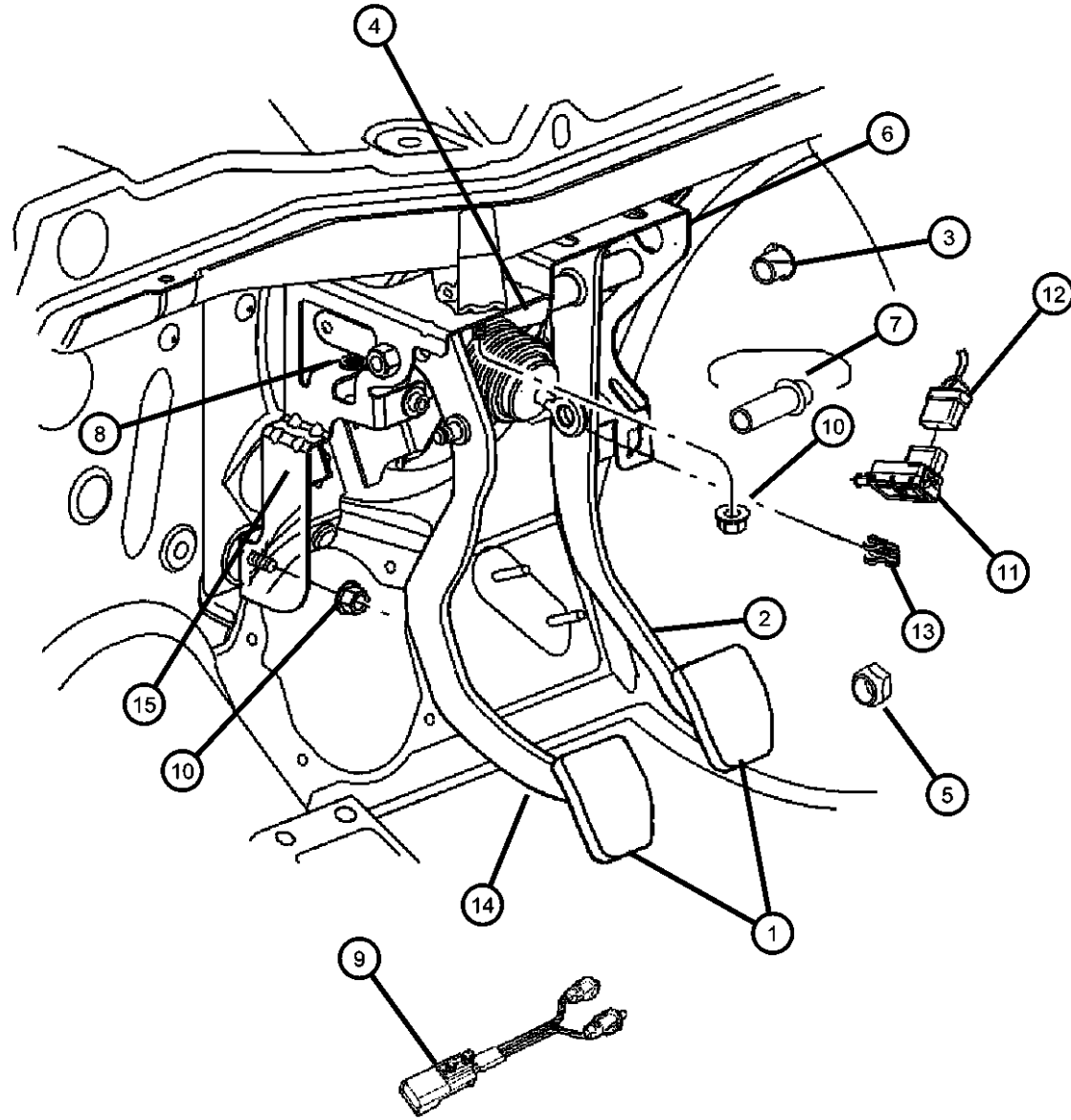
TRANSMISSION
DGL = 4-Speed Automatic Transmission
DD5 = 5-Speed Manual Transmission
DDD = 5-Speed HD Manual Transmission

AR = use ase required - = Non illustrated part

2006 PT

**Clutch Pedal
Figure 6-415**

ITEM	PART NUMBER	QTY	LINE	SERIES	BODY	ENGINE	TRANS	TRIM	DESCRIPTION
NOTE: Sales Codes: [DDD]=5 Speed Heavy Duty Manual Transmission - [G288] [EDZ]=2.4L 4 CYL. 16V Engine									
1	04683021	1	Z				DD5		PAD, Pedal
2	04509846AA	1	Z				DD5		PEDAL, Brake
3	02467770	4	Z				DD5		BUSHING, Pedal Shaft
4	04860014AA	1	Z				DD5		SHAFT, Brake Pedal Pivot
5	06500197	1	Z				DD5		NUT, M10x1.5
6	05273013AA	1	Z				DD5		BRACKET, Brake Pedal, Bracke Pedal Mounting
7	06504043	2	Z				DD5		PIN, Push, M8.6x19, Brake Bracket Assembly To Tie Bar
8	04860035AA	1	Z				DD5		BRACKET, Brake Pedal, Tie Bar Impact Stop
9	04671765AB	1	Z			EDZ	DD5		SWITCH, Clutch Starter Interlock
10	06100050	4							NUT AND WASHER, Hex, M8x1.25
11	05083344AA	1							SWITCH PACKAGE, Stop Lamp
12	05083344AA	1							WIRING, Headlamp to Dash, See Electrical Group, (NOT SERVICED)
13	06035334	1							CLIP, Brake Push Rod
14	04668349AB	1	Z				DD5		PEDAL, Clutch
15	05273013AA	1	Z				DD5		BRACKET, Brake Pedal, Brake Pedal Bracket To Main Pedal Bracket



PT CRUISER (PT)

SERIES LINE
H = HIGHLINE C = CHRYSLER
P = PREMIUM Z = CHRYSLER (RHD)
S = SPORT
X = SPECIAL

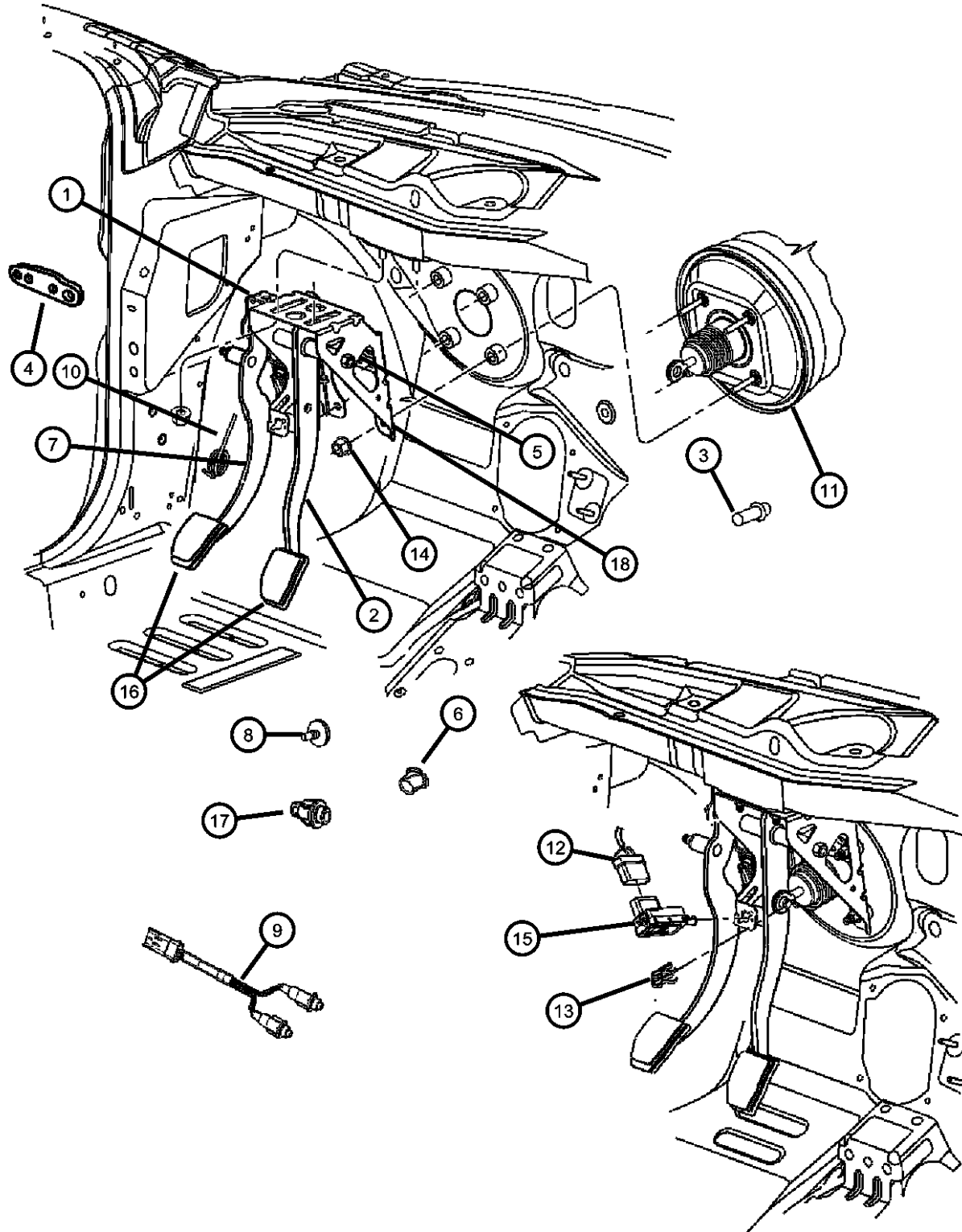
BODY
27 = 2-DR CONVERTIBLE
44 = HATCHBACK/QUAD
CAB CHASSIS LWB

ENGINE TRANSMISSION
EDJ = 2.2L 4 Cyl Turbo Diesel Engine
EDT = 2.4L 4 Cyl DOHC 16V Turbo Engine
EDV = 2.4L 4 Cyl DOHC 16V HO Turbo Engine
EDZ = 2.4L 4 Cyl DOHC 16V SMPI Engine
EJD = 1.6L 4 Cyl SOHC 16V SMPI
DGL = 4-Speed Automatic Transmission
DD5 = 5-Speed Manual Transmission
DDD = 5-Speed HD Manual Transmission

AR = use ase required - = Non illustrated part

2006 PT

**Clutch Pedal
Figure 6-420**



ITEM	PART NUMBER	QTY	LINE	SERIES	BODY	ENGINE	TRANS	TRIM	DESCRIPTION
------	-------------	-----	------	--------	------	--------	-------	------	-------------

NOTE:
Sales Codes:
[EJD]=1.6L 4 Cyl. SOHC 16V Engine
[DD5]=5 Speed Manual Transmission - [A578]

1	05273102AB	1	C			EJD	DD5		BRACKET, Brake Pedal, Main Brake Pedal & Clutch Bracket
2	04509770	1	C			EJD	DD5		PEDAL, Brake
3	06504043	2	C			EJD	DD5		PIN, Push, M8.6x19, Brake Bracket Assembly To Tie Bar
4	04860035AA	1	C			EJD	DD5		BRACKET, Brake Pedal, Pedal Impact Stop
5	05273101AA	1	C			EJD	DD5		SHAFT, Brake Pedal Pivot
6	02467770	4	C			EJD	DD5		BUSHING, Pedal Shaft
7	04668638AC	1	C			EJD	DD5		PEDAL, Clutch
8	04670262	1	C			EJD	DD5		PAD, Pedal, Pad - Clutch Pedal Downstop
9	04671756AC	1	C			EJD	DD5		SWITCH, Clutch Starter Interlock
10	04668641AC	1	C			EJD	DD5		SPRING, Clutch Pedal Return
11	04668641AC	1							BOOSTER, Power Brake, See Brake Group, (NOT SERVICED)
12	04668641AC	1							WIRING, Headlamp to Dash, See Electrical Group, (NOT SERVICED)
13	06035334	1							CLIP, Brake Push Rod
14	06035334	1							NUT AND WASHER, (NOT SERVICED)
15	05083344AA	1							SWITCH PACKAGE, Stop Lamp
16	04683021	1	C			EJD	DD5		PAD, Pedal
17	04668899AA	1	C			EDZ, EJD	DD5		PAD, Clutch Pedal, Clutch Pedal Upstop
18	05273026AA	1	C			EJD	DD5		BRACKET, Brake Pedal, Brake Pedal Mounting

PT CRUISER (PT)

SERIES LINE
H = HIGHLINE C = CHRYSLER
P = PREMIUM Z = CHRYSLER (RHD)
S = SPORT
X = SPECIAL

BODY
27 = 2-DR CONVERTIBLE
44 = HATCHBACK/QUAD
CAB CHASSIS LWB

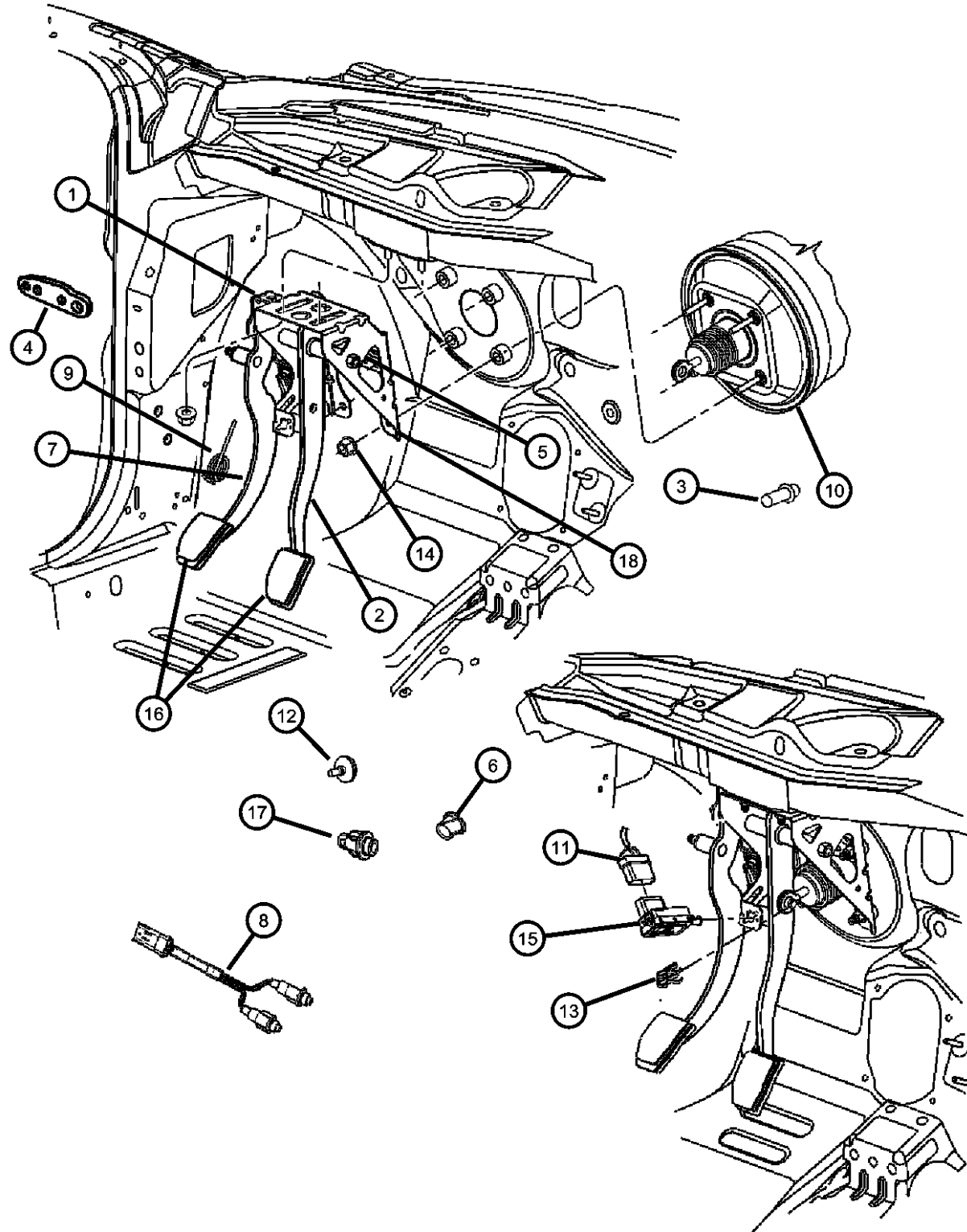
ENGINE
EDJ = 2.2L 4 Cyl Turbo Diesel Engine
EDT = 2.4L 4 Cyl DOHC 16V Turbo Engine
EDV = 2.4L 4 Cyl DOHC 16V HO Turbo Engine
EDZ = 2.4L 4 Cyl DOHC 16V SMPI Engine
EJD = 1.6L 4 Cyl SOHC 16V SMPI

TRANSMISSION
DGL = 4-Speed Automatic Transmission
DD5 = 5-Speed Manual Transmission
DDD = 5-Speed HD Manual Transmission

AR = use ase required - = Non illustrated part

2006 PT

**Clutch Pedal
Figure 6-425**



ITEM	PART NUMBER	QTY	LINE	SERIES	BODY	ENGINE	TRANS	TRIM	DESCRIPTION
------	-------------	-----	------	--------	------	--------	-------	------	-------------

NOTE:
Sales Codes:
[DDD]=5 Speed Heavy Duty Manual Transmission - [G288]
[EDJ]=2.2L 4 Cyl. Turbo Diesel Engine

1	04860035AA	1	C			EDJ	DDD		BRACKET, Brake Pedal
2	04509770	1	C			EDJ	DDD		PEDAL, Brake
3	06504043	2	C			EDJ	DDD		PIN, Push, M8.6x19, Brake Bracket Assembly To Tie Bar
4	04860035AA	1	C			EDJ	DDD		BRACKET, Brake Pedal, Tie Bar Pedal Impact Stop
5	05273101AA	1	C			EDJ	DDD		SHAFT, Brake Pedal Pivot
6	02467770	4	C			EDJ	DDD		BUSHING, Pedal Shaft
7	04509770	1	C			EDJ	DDD		PEDAL, Brake
8	04671756AC	1	C			EDJ	DDD		SWITCH, Clutch Starter Interlock
9	04668641AC	1	C			EDJ	DDD		SPRING, Clutch Pedal Return
10	04668641AC	1							BOOSTER, Power Brake, See Brake Group, (NOT SERVICED)
11	04668641AC	1							WIRING, Headlamp to Dash, See Electrical Group, (NOT SERVICED)
12	04670262	1	C			EDJ	DDD		PAD, Pedal, Pad - Clutch Pedal Downstop
13	06035334	1							CLIP, Brake Push Rod
14	06035334	1							NUT AND WASHER, (NOT SERVICED)
15	05083344AA	1							SWITCH PACKAGE, Stop Lamp
16	04683021	1	C			EDJ	DDD		PAD, Pedal
17	04668899AA	1	C			EDJ, EDV	DDD		PAD, Clutch Pedal, Clutch Pedal Upstop
18	05273026AA	1	C			EDJ	DDD		BRACKET, Brake Pedal, Brake Pedal Mounting

PT CRUISER (PT)

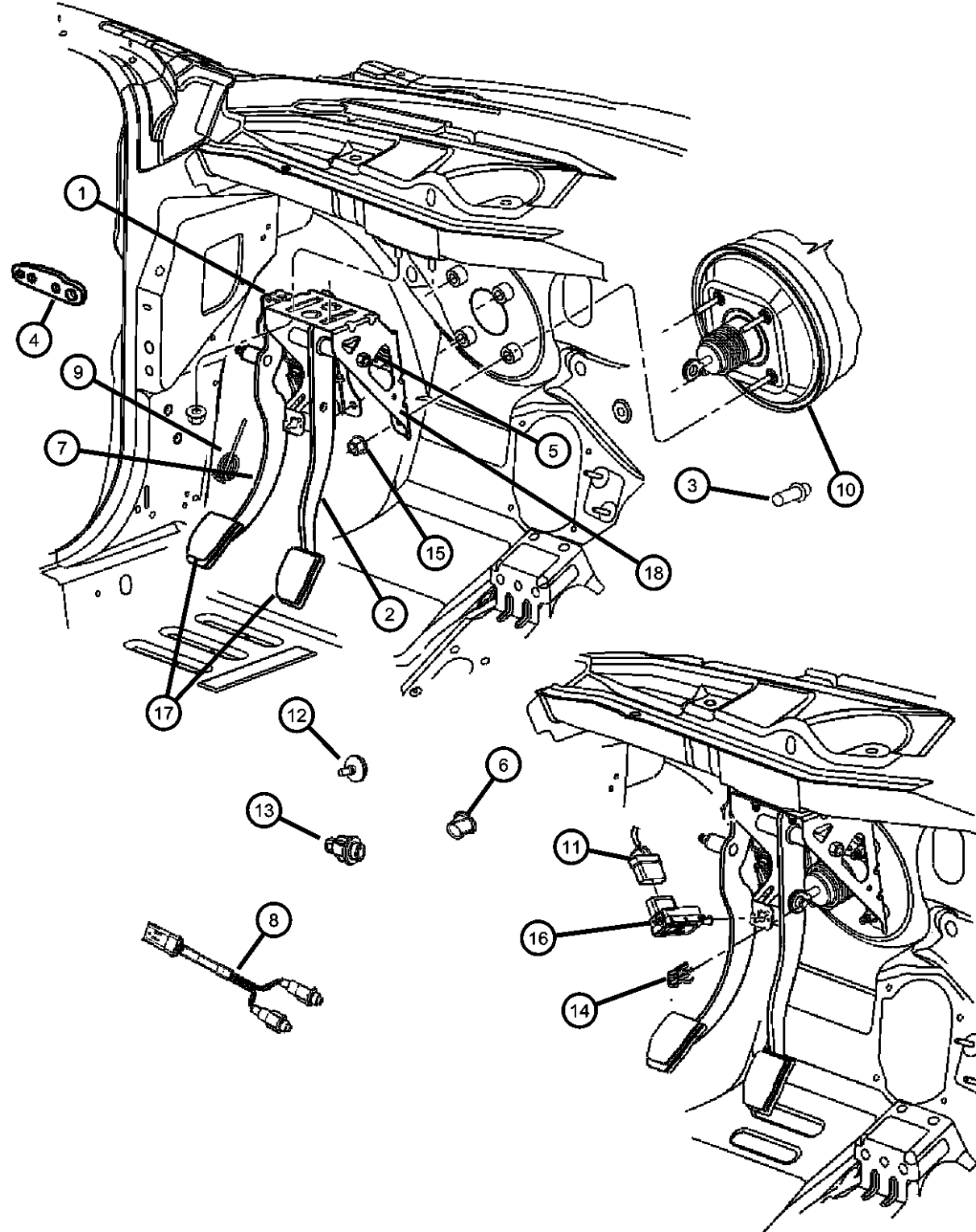
SERIES LINE
H = HIGHLINE C = CHRYSLER
P = PREMIUM Z = CHRYSLER (RHD)
S = SPORT
X = SPECIAL

BODY
27 = 2-DR CONVERTIBLE
44 = HATCHBACK/QUAD
CAB CHASSIS LWB

ENGINE TRANSMISSION
EDJ = 2.2L 4 Cyl Turbo Diesel Engine
EDT = 2.4L 4 Cyl DOHC 16V Turbo Engine
EDV = 2.4L 4 Cyl DOHC 16V HO Turbo Engine
EDZ = 2.4L 4 Cyl DOHC 16V SMPI Engine
EJD = 1.6L 4 Cyl SOHC 16V SMPI
DGL = 4-Speed Automatic Transmission
DD5 = 5-Speed Manual Transmission
DDD = 5-Speed HD Manual Transmission

AR = use ase required - = Non illustrated part

**Clutch Pedal
Figure 6-430**



ITEM	PART NUMBER	QTY	LINE	SERIES	BODY	ENGINE	TRANS	TRIM	DESCRIPTION
------	-------------	-----	------	--------	------	--------	-------	------	-------------

NOTE:
Sales Codes:
[EDZ]=2.4L 4 Cyl. 16 V Engine
[DD5]=5 Speed Manual Transmission - [A578]

1	05273102AB	1	C			EDZ	DD5		BRACKET, Brake Pedal
2	04509770	1	C			EDZ	DD5		PEDAL, Brake
3	06504043	2	C			EDZ	DD5		PIN, Push, M8.6x19, Brake Bracket Assembly To Tie Bar
4	04860035AA	1	C			EDZ	DD5		BRACKET, Brake Pedal, Tie Bar Pedal Impact Stop
5	05273101AA	1	C			EDZ	DD5		SHAFT, Brake Pedal Pivot
6	02467770	4	C			EDZ	DD5		BUSHING, Pedal Shaft
7	04668638AC	1	C			EDZ	DD5		PEDAL, Clutch
8	05033231AA	1	C			EDZ	DD5		SWITCH, Clutch Starter Interlock
9	04668641AC	1	C			EDZ	DD5		SPRING, Clutch Pedal Return
10	04668641AC	1							BOOSTER, Power Brake, See Brake Group, (NOT SERVICED)
11	04668641AC	1							WIRING, Headlamp to Dash, See Electrical Group, (NOT SERVICED)
12	04670262	1	C			EDZ	DD5		PAD, Pedal, Clutch Pedal Downstop
13	04668899AA	1	C			EDZ	DD5		PAD, Clutch Pedal, Clutch Pedal Upstop
14	06035334	1							CLIP, Brake Push Rod
15	06035334	1							NUT AND WASHER, (NOT SERVICED)
16	05083344AA	1							SWITCH PACKAGE, Stop Lamp
17	04683021	1	C			EDZ	DD5		PAD, Pedal
18	05273026AA	1	C			EDZ	DD5		BRACKET, Brake Pedal, Brake Pedal Mounting

PT CRUISER (PT)

SERIES LINE
H = HIGHLINE C = CHRYSLER
P = PREMIUM Z = CHRYSLER (RHD)
S = SPORT
X = SPECIAL

BODY
27 = 2-DR CONVERTIBLE
44 = HATCHBACK/QUAD
CAB CHASSIS LWB

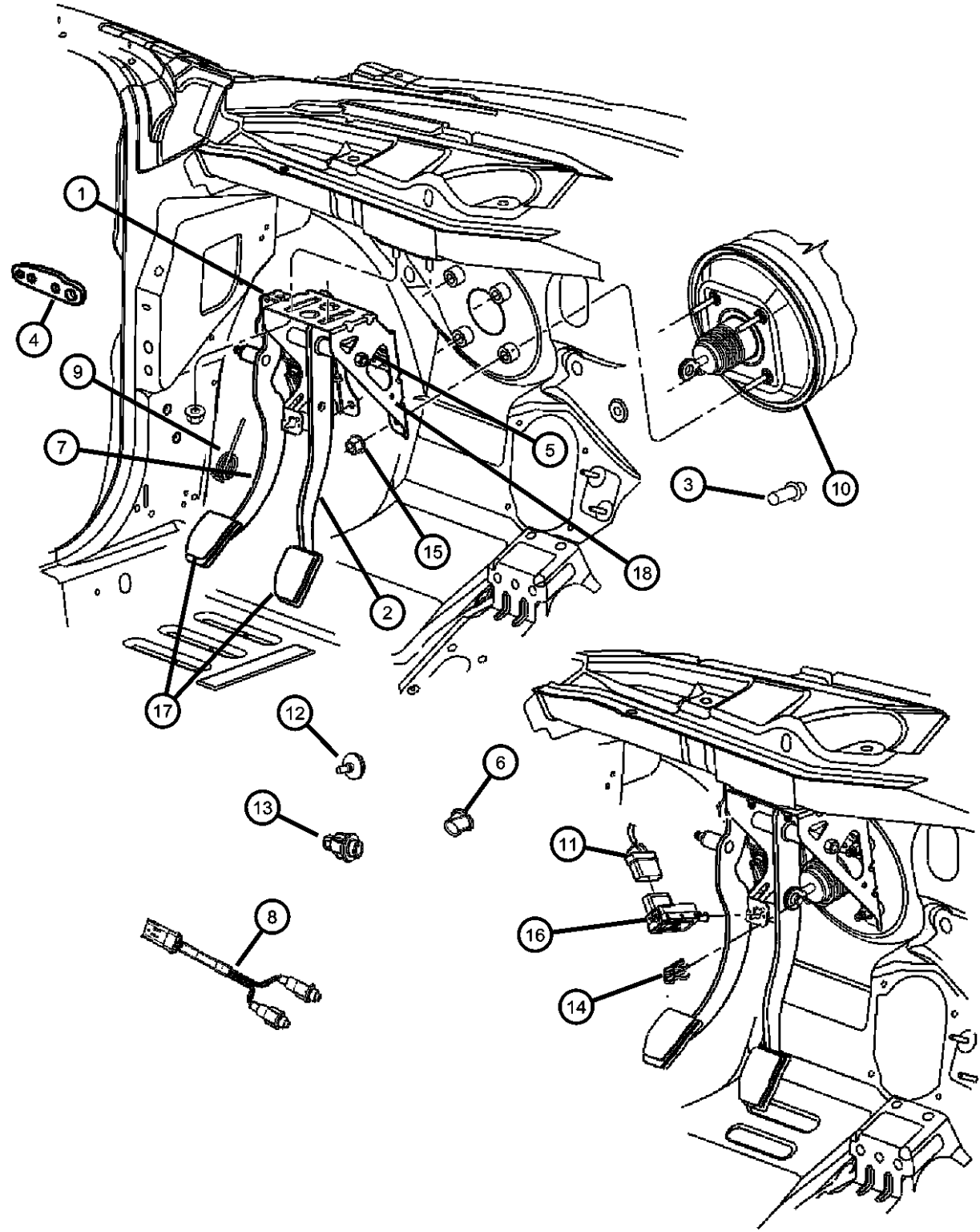
ENGINE
EDJ = 2.2L 4 Cyl Turbo Diesel Engine
EDT = 2.4L 4 Cyl DOHC 16V Turbo Engine
EDV = 2.4L 4 Cyl DOHC 16V HO Turbo Engine
EDZ = 2.4L 4 Cyl DOHC 16V SMPI Engine
EJD = 1.6L 4 Cyl SOHC 16V SMPI

TRANSMISSION
DGL = 4-Speed Automatic Transmission
DD5 = 5-Speed Manual Transmission
DDD = 5-Speed HD Manual Transmission

AR = use ase required - = Non illustrated part

2006 PT

**Clutch Pedal
Figure 6-435**



ITEM	PART NUMBER	QTY	LINE	SERIES	BODY	ENGINE	TRANS	TRIM	DESCRIPTION
------	-------------	-----	------	--------	------	--------	-------	------	-------------

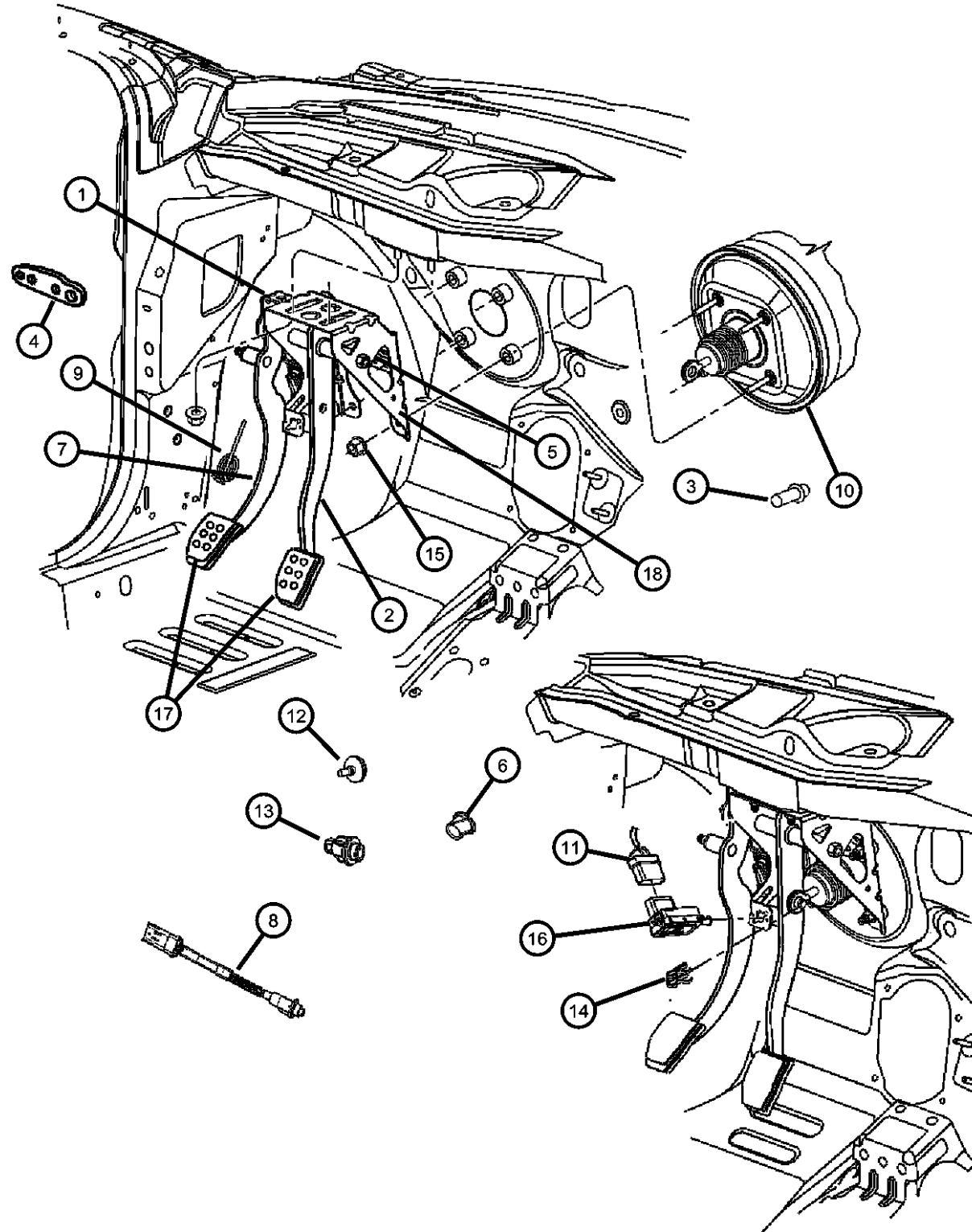
NOTE:
Sales Codes:

1	05273102AB	1	C			EDV	DDD		BRACKET, Brake Pedal
2	04509770	1	C			EDV	DDD		PEDAL, Brake
3	06504043	2	C			EDV	DDD		PIN, Push, M8.6x19, Brake Bracket Assembly To Tie Bar
4	04860035AA	1	C			EDV	DDD		BRACKET, Brake Pedal, Tie Bar Pedal Impact Stop
5	05273101AA	1	C			EDV	DDD		SHAFT, Brake Pedal Pivot
6	02467770	4	C			EDV	DDD		BUSHING, Pedal Shaft
7	04668773AD	1	C			EDV	DDD		PEDAL, Clutch
8	05033231AA	1	C			EDV	DDD		SWITCH, Clutch Starter Interlock
9	04668641AC	1	C			EDV	DDD		SPRING, Clutch Pedal Return
10	04668641AC	1							BOOSTER, Power Brake, See Brake Group, (NOT SERVICED)
11	04668641AC	1							WIRING, Headlamp to Dash, See Electrical Group, (NOT SERVICED)
12	04670262	1	C			EDV	DDD		PAD, Pedal, Clutch Pedal Downstop
13	04668899AA	1	C			EDV	DDD		PAD, Clutch Pedal, Clutch Pedal Upstop
14	06035334	1							CLIP, Brake Push Rod
15	06035334	1							NUT AND WASHER, (NOT SERVICED)
16	05083344AA	1							SWITCH PACKAGE, Stop Lamp
17	04683021	1	C			EDV	DDD		PAD, Pedal
18	05273026AA	1	C			EDV	DDD		BRACKET, Brake Pedal, Brake Pedal Mounting

PT CRUISER (PT)				
SERIES	LINE	BODY	ENGINE	TRANSMISSION
H = HIGHLINE	C = CHRYSLER	27 = 2-DR CONVERTIBLE	EDJ = 2.2L 4 Cyl Turbo Diesel Engine	DGL = 4-Speed Automatic Transmission
P = PREMIUM	Z = CHRYSLER (RHD)	44 = HATCHBACK/QUAD CAB CHASSIS LWB	EDT = 2.4L 4 Cyl DOHC 16V Turbo Engine	DD5 = 5-Speed Manual Transmission
S = SPORT			EDV = 2.4L 4 Cyl DOHC 16V HO Turbo Engine	DDD = 5-Speed HD Manual Transmission
X = SPECIAL			EDZ = 2.4L 4 Cyl DOHC 16V SMPI Engine	
			EJD = 1.6L 4 Cyl SOHC 16V SMPI	

AR = use ase required - = Non illustrated part

**Clutch Pedal
Figure 6-445**



ITEM	PART NUMBER	QTY	LINE	SERIES	BODY	ENGINE	TRANS	TRIM	DESCRIPTION
------	-------------	-----	------	--------	------	--------	-------	------	-------------

NOTE:

Sales Codes:

[EDZ]=2.4L 4 Cyl. 16 V Engine

[DD5]=5 Speed Manual Transmission - [A578]

1	05273102AB	1	C			EDZ, EJD	DD5		BRACKET, Brake Pedal
2	05085246AC	1	C			EDZ, EJD	DD5		PEDAL, Brake, With [XAR]
3	06504043	2	C			EDZ, EJD	DD5		PIN, Push, M8.6x19, Brake Bracket Assembly To Tie Bar
4	04860035AA	1	C			EDZ, EJD	DD5		BRACKET, Brake Pedal, Tie Bar Pedal Impact Stop
5	05273101AA	1	C			EDZ, EJD	DD5		SHAFT, Brake Pedal Pivot
6	02467770	4	C			EDZ, EJD	DD5		BUSHING, Pedal Shaft
7	05085248AB	1	C			EDZ, EJD	DD5		PEDAL, Clutch, With [XAR]
8	05033231AA	1	C			EDZ, EJD	DD5		SWITCH, Clutch Starter Interlock
9	04668641AC	1	C			EDZ, EJD	DD5		SPRING, Clutch Pedal Return
10	04668641AC	1							BOOSTER, Power Brake, See Brake Group, (NOT SERVICED)
11	04668641AC	1							WIRING, Headlamp to Dash, See Electrical Group, (NOT SERVICED)
12	04670262	1	C			EDZ, EJD	DD5		PAD, Pedal, Clutch Pedal Downstop
13	04668899AA	1	C			EDZ, EJD	DD5		PAD, Clutch Pedal, Clutch Pedal Upstop
14	06035334	1							CLIP, Brake Push Rod
15	06035334	1							NUT AND WASHER, (NOT SERVICED)
16	05083344AA	1							SWITCH PACKAGE, Stop Lamp
17	05273386AA	2	C			EDZ, EJD	DD5		PAD, Pedal, With [XAR]
18	05273026AA	1	C			EDZ, EJD	DD5		BRACKET, Brake Pedal, Brake Pedal Mounting

PT CRUISER (PT)

SERIES	LINE
H = HIGHLINE	C = CHRYSLER
P = PREMIUM	Z = CHRYSLER (RHD)
S = SPORT	
X = SPECIAL	

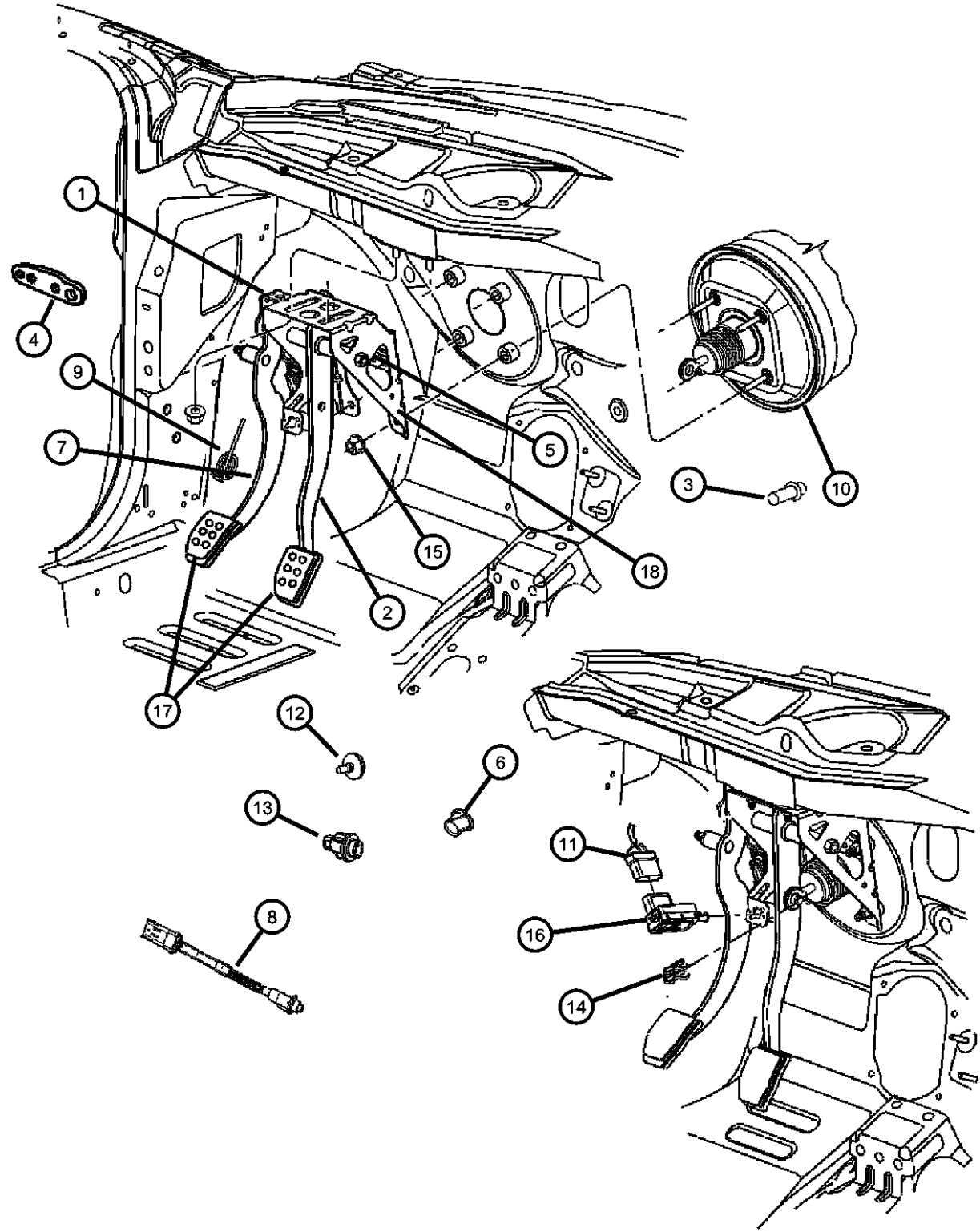
BODY
27 = 2-DR CONVERTIBLE
44 = HATCHBACK/QUAD CAB CHASSIS LWB

ENGINE	TRANSMISSION
EDJ = 2.2L 4 Cyl Turbo Diesel Engine	DGL = 4-Speed Automatic Transmission
EDT = 2.4L 4 Cyl DOHC 16V Turbo Engine	DD5 = 5-Speed Manual Transmission
EDV = 2.4L 4 Cyl DOHC 16V HO Turbo Engine	DDD = 5-Speed HD Manual Transmission
EDZ = 2.4L 4 Cyl DOHC 16V SMPI Engine	
EJD = 1.6L 4 Cyl SOHC 16V SMPI	

AR = use ase required - = Non illustrated part

2006 PT

**Clutch Pedal
Figure 6-450**



ITEM	PART NUMBER	QTY	LINE	SERIES	BODY	ENGINE	TRANS	TRIM	DESCRIPTION
------	-------------	-----	------	--------	------	--------	-------	------	-------------

NOTE:
Sales Codes:
[DDD]=5 Speed Heavy Duty Transmission - [G288]
[EDJ]=2.2L 4 Cyl. Turbo Diesel Engine
[EDV]=2.4 4 Cyl. High Output Turbo Engine

1	05273102AB	1	C			EDJ, EDV	DDD		BRACKET, Brake Pedal
2	05085246AC	1	C			EDJ, EDV	DDD		PEDAL, Brake, With [XAR]
3	06504043	2	C			EDJ, EDV	DDD		PIN, Push, M8.6x19, Brake Bracket Assembly To Tie Bar
4	04860035AA	1	C			EDJ, EDV	DDD		BRACKET, Brake Pedal, Tie Bar Pedal Impact Stop
5	05273101AA	1	C			EDJ, EDV	DDD		SHAFT, Brake Pedal Pivot
6	02467770	4	C			EDJ, EDV	DDD		BUSHING, Pedal Shaft
7	05085247AB	1	C			EDJ, EDV	DDD		PEDAL, Clutch, With [XAR]
8	05033231AA	1	C			EDJ, EDV	DDD		SWITCH, Clutch Starter Interlock
9	04668641AC	1	C			EDJ, EDV	DDD		SPRING, Clutch Pedal Return
10	04668641AC	1							BOOSTER, Power Brake, See Brake Group, (NOT SERVICED)
11	04668641AC	1							WIRING, Headlamp to Dash, See Electrical Group, (NOT SERVICED)
12	04670262	1	C			EDJ, EDV	DDD		PAD, Pedal, Clutch Pedal Downstop
13	04668899AA	1	C			EDJ, EDV	DDD		PAD, Clutch Pedal, Clutch Pedal Upstop
14	06035334	1							CLIP, Brake Push Rod
15	06035334	1							NUT AND WASHER, (NOT SERVICED)
16	05083344AA	1							SWITCH PACKAGE, Stop Lamp
17	05273386AA	2	C			EDJ, EDV	DDD		PAD, Pedal, With [XAR]
18	05273026AA	1	C			EDJ, EDV	DDD		BRACKET, Brake Pedal, Brake Pedal Mounting

PT CRUISER (PT)

SERIES	LINE	BODY	ENGINE	TRANSMISSION
H = HIGHLINE	C = CHRYSLER	27 = 2-DR CONVERTIBLE	EDJ = 2.2L 4 Cyl Turbo Diesel Engine	DGL = 4-Speed Automatic Transmission
P = PREMIUM	Z = CHRYSLER (RHD)	44 = HATCHBACK/QUAD CAB CHASSIS LWB	EDT = 2.4L 4 Cyl DOHC 16V Turbo Engine	DD5 = 5-Speed Manual Transmission
S = SPORT			EDV = 2.4L 4 Cyl DOHC 16V HO Turbo Engine	DDD = 5-Speed HD Manual Transmission
X = SPECIAL			EDZ = 2.4L 4 Cyl DOHC 16V SMPI Engine	
			EJD = 1.6L 4 Cyl SOHC 16V SMPI	

AR = use ase required - = Non illustrated part

Group - 7

Cooling

Group - 7 Cooling

Group-Fig. No.

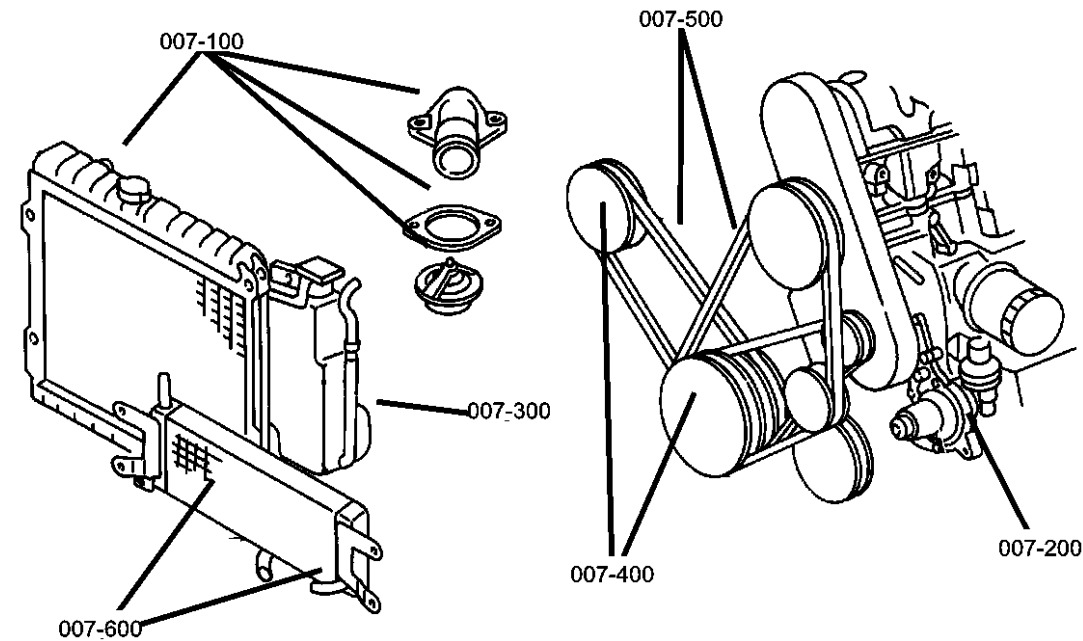


Illustration Title

Radiator and Related Parts

Radiator and Related Parts Fig. 7 - 110
 Radiator Support Fig. 7 - 120

Water Pump and Related Parts

Water Pump and Related Parts Fig. 7 - 203
 Water Pump/ Power Steering Pump Fig. 7 - 205

Tank, Coolant Engine

Tank, Coolant Reserve Fig. 7 - 310

Pulleys and Related Parts

Pulleys and Related Parts - 2.4L Engine Fig. 7 - 403
 Pulleys & Related Parts - 1.6L Engine Fig. 7 - 420
 Pulleys & Related Parts - 2.2L Engine Fig. 7 - 430

Drive Belts

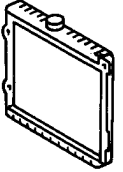


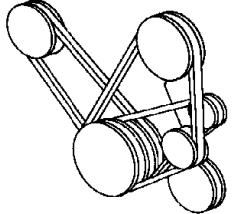
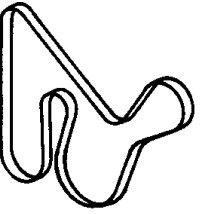
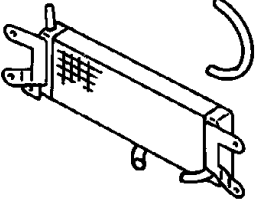
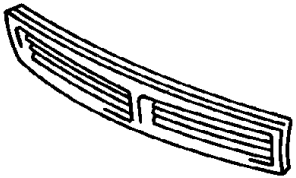
Belts, Drive - 2.4L Engine Fig. 7 - 510
 Belts, Drive - 1.6L Engine Fig. 7 - 520
 Belts, Drive - 2.2L Diesel Fig. 7 - 530

Lines, Transmission Oil Cooler

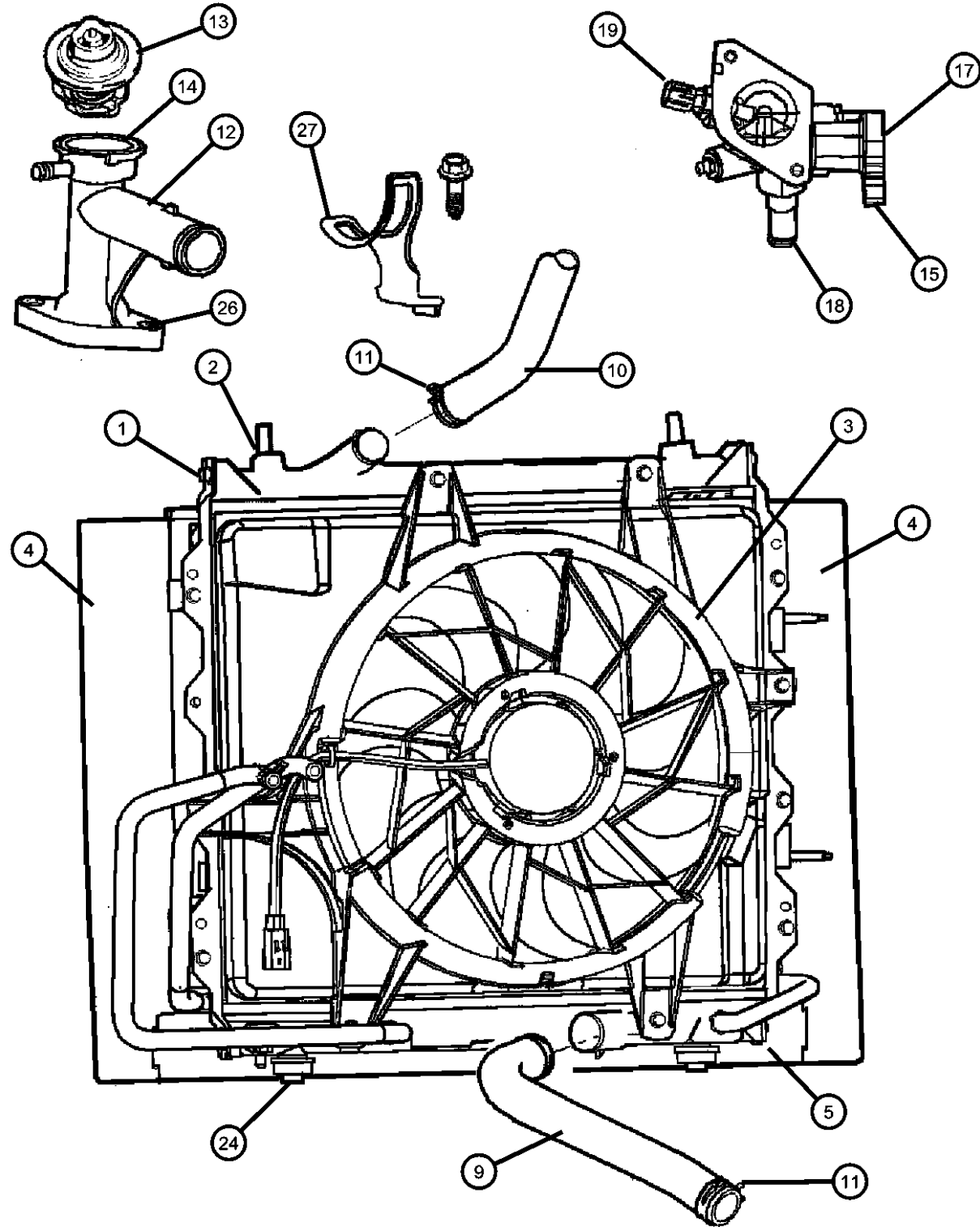
Cooler and Lines Fig. 7 - 610

Grilles

Grille and Related Parts Fig. 7 - 710

<p>007-100 Radiator and Related Parts</p> 	<p>007-200 Water Pump and Related Parts</p> 	<p>007-300 Tank, Coolant Engine</p> 	<p>007-400 Pulleys and Related Parts</p> 
<p>007-500 Drive Belts</p> 	<p>007-600 Lines, Transmission Oil Cooler</p> 	<p>007-700 Grilles</p> 	

Radiator and Related Parts
Figure 7-110



ITEM	PART NUMBER	QTY	LINE	SERIES	BODY	ENGINE	TRANS	TRIM	DESCRIPTION
------	-------------	-----	------	--------	------	--------	-------	------	-------------

NOTE:

See Illustration 310 for Radiator Cap

Sales Codes:

[DGL] = TRANSMISSION - AUTOMATIC 4-SPD, 41TE

[DD5] = TRANSMISSION - PERF. MANUAL 5-SPEED

[ECC] = 2.0L DOHC 16V

[EDJ] = 2.2L 4 CYL TURBO DIESEL

[EDV] = 2.4L 4 CYL DOHC 16V TURBO

[EDZ] = 2.4L 4 CYL DOHC 16V

[EJD] = 1.6L 4 CYL SOHC 16V

1									RADIATOR, Engine Cooling
	05073504AC	1				EJD	DD5		
	05066386AA								Mopar Coolant 5 Year/100,000 Mile Formula 1 Gallon
	05073578AB	1				EDJ	DDD		
	05066386AA								Mopar Coolant 5 Year/100,000 Mile Formula 1 Gallon
	05086547AB	1				EDZ	DD5		
	05066386aa								Mopar Coolant 5 Year/100,000 Mile Formula 1 Gallon
		1				EDZ	DGL		
	05066386aa								Mopar Coolant 5 Year/100,000 Mile Formula 1 Gallon
	05096190AA	1				EDT, EDV	DGL		
	05066386aa								Mopar Coolant 5 Year/100,000 Mile Formula 1 Gallon
		1				EDT, EDV	DDD		
	05066386aa								Mopar Coolant 5 Year/100,000 Mile Formula 1 Gallon
2	05278200AC	2							ISOLATOR, Radiator
3									FAN MODULE, Radiator Cooling
	05179449AA	1				EJD	DD5		
	05179463AA	1				EDT, EDV	DGL		
		1				EDT, EDV	DDD		
	05179465AA	1				EDJ	DDD		
	05179470AA	1				EDZ	DGL		
		1				EDZ	DD5		
4									SEAL, Radiator Side Air

PT CRUISER (PT)

SERIES LINE
H = HIGHLINE C = CHRYSLER
P = PREMIUM Z = CHRYSLER (RHD)
S = SPORT
X = SPECIAL

BODY
27 = 2-DR CONVERTIBLE
44 = HATCHBACK/QUAD
CAB CHASSIS LWB

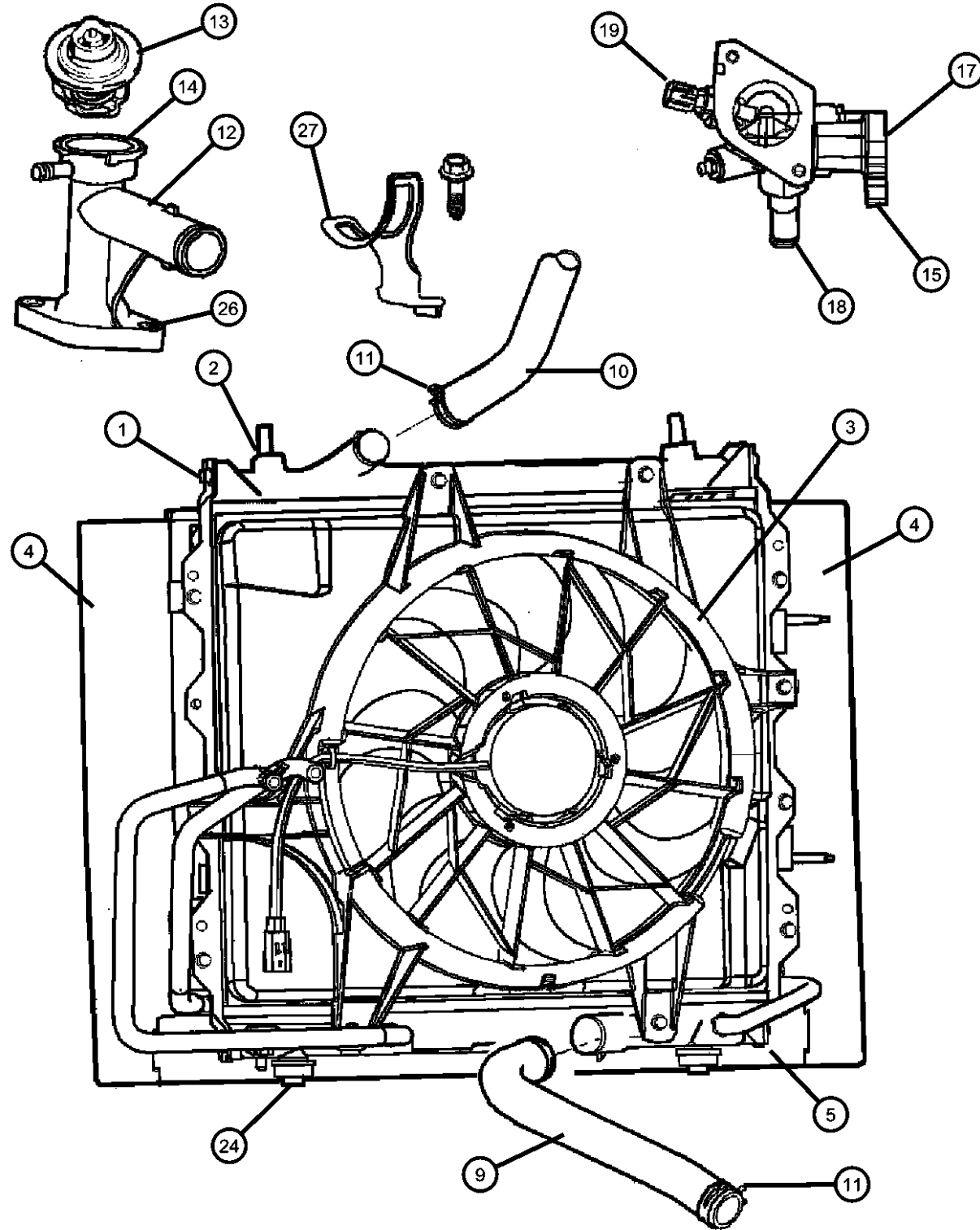
ENGINE
EDJ = 2.2L 4 Cyl Turbo Diesel Engine
EDT = 2.4L 4 Cyl DOHC 16V Turbo Engine
EDV = 2.4L 4 Cyl DOHC 16V HO Turbo Engine
EDZ = 2.4L 4 Cyl DOHC 16V SMPI Engine
EJD = 1.6L 4 Cyl SOHC 16V SMPI

TRANSMISSION
DGL = 4-Speed Automatic Transmission
DD5 = 5-Speed Manual Transmission
DDD = 5-Speed HD Manual Transmission

AR = use ase required - = Non illustrated part

2006 PT

Radiator and Related Parts
Figure 7-110



ITEM	PART NUMBER	QTY	LINE	SERIES	BODY	ENGINE	TRANS	TRIM	DESCRIPTION
	05017408AA	2				EDZ	DGL		
		2				EDZ	DD5		
		2				EDJ	DDD		
		2				EJD	DD5		
5	05017409AA	1				EDZ	DD5		SEAL, Radiator Lower
		1				EJD	DD5		
		1				EDZ	DGL		
-6	05017410AA	3				EDZ	DD5		PIN, Push, Radiator Seal
		3				EJD	DD5		
-7	05017411AA	4				EDZ	DD5		SCREW, M6x1.0
		6				EJD	DD5		
		4				EDT, EDV	DGL		
		4				EDT, EDV	DDD		
		4				EDJ	DDD		
		6				EDZ	DGL		
-8	06504118	2							U-NUT, M6 x 1.00, M6x1.00
9	05278202AE	1				EDT, EDV, EDZ			HOSE, Radiator Outlet
	05278705AC	1				EJD			
	05278967AE	1				EDJ			
10	05278201AH	1				EDZ			HOSE, Radiator Inlet
	05278704AC	1				EJD			
	05278817AE	1				EDT, EDV			
	05278968AC	1				EDJ			
11	05278968AC	1							CLAMP, Hose, (NOT SERVICED)
12	05278829AC	1				EDT, EDV			CONNECTOR, Engine Coolant Outlet

PT CRUISER (PT)

SERIES LINE
H = HIGHLINE C = CHRYSLER
P = PREMIUM Z = CHRYSLER (RHD)
S = SPORT
X = SPECIAL

BODY
27 = 2-DR CONVERTIBLE
44 = HATCHBACK/QUAD
CAB CHASSIS LWB

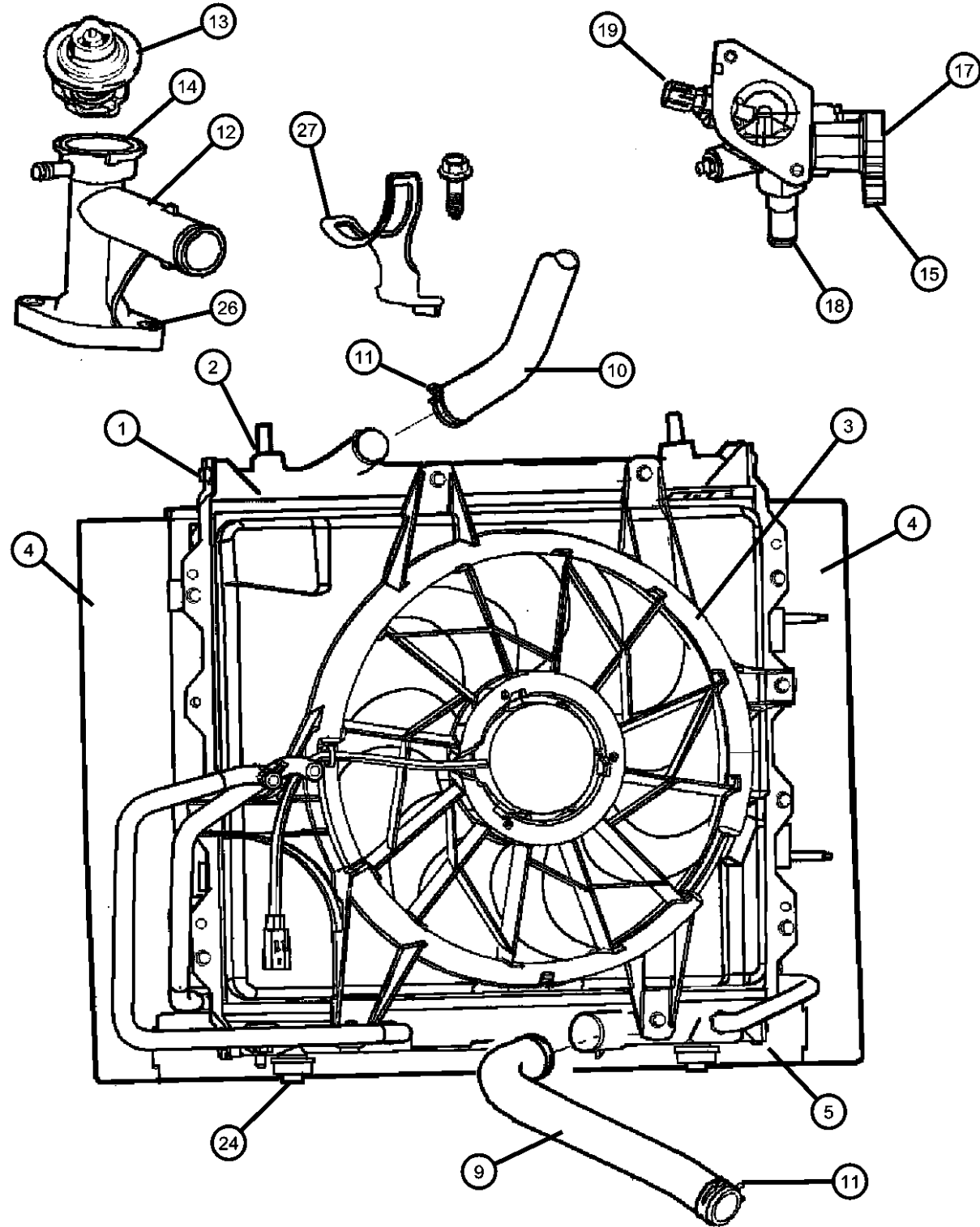
ENGINE
EDJ = 2.2L 4 Cyl Turbo Diesel Engine
EDT = 2.4L 4 Cyl DOHC 16V Turbo Engine
EDV = 2.4L 4 Cyl DOHC 16V HO Turbo Engine
EDZ = 2.4L 4 Cyl DOHC 16V SMPI Engine
EJD = 1.6L 4 Cyl SOHC 16V SMPI

TRANSMISSION
DGL = 4-Speed Automatic Transmission
DD5 = 5-Speed Manual Transmission
DDD = 5-Speed HD Manual Transmission

AR = use ase required - = Non illustrated part

2006 PT

Radiator and Related Parts
Figure 7-110



ITEM	PART NUMBER	QTY	LINE	SERIES	BODY	ENGINE	TRANS	TRIM	DESCRIPTION
13	04693117AA	1				EJD			THERMOSTAT, With Seal
	05278144AA	1				EDT, EDV, EDZ			
14	05080150AA	1				EDJ			GASKET, Thermostat
15									CONNECTOR, Engine Coolant Outlet, Adapter
	05278203AB	1				EDZ			
	05278829AC	1				EDT, EDV			
-16									CONNECTOR, Water Outlet
	04693099AA	1				EJD			
	04884220AA	1				EDT, EDV, EDZ			
17	04792637AA	1				EDT, EDV, EDZ			GASKET, Coolant Outlet
18	04621653	1				EDT, EDV, EDZ			NIPPLE, Heater Return
19									SENSOR, Coolant Temperature
	05269870AB	1				EDT, EDV, EDZ			
		1				EJD			
-20	06504171	3				EDT, EDV, EDZ			SCREW, Hex Flange Head, M8x1.25x32
-21									COOLER, Charge Air
	05096198AA	1				EDT, EDV	DGL		
		1				EDT, EDV	DDD		
	05179464AA	1				EDJ	DDD		
-22	04891478AA	1				EDT, EDV			HOSE, Intercooler to Throttle Body
-23	04891605AA	1				EDT, EDV			HOSE, Turbocharger to Inter Cooler
24									ISOLATOR, Radiator
	04741109AB	2				EDZ	DD5		
		2				EJD	DD5		
		2				EDT, EDV	DGL		
		2				EDT, EDV	DDD		

PT CRUISER (PT)

SERIES LINE
H = HIGHLINE C = CHRYSLER
P = PREMIUM Z = CHRYSLER (RHD)
S = SPORT
X = SPECIAL

BODY
27 = 2-DR CONVERTIBLE
44 = HATCHBACK/QUAD
CAB CHASSIS LWB

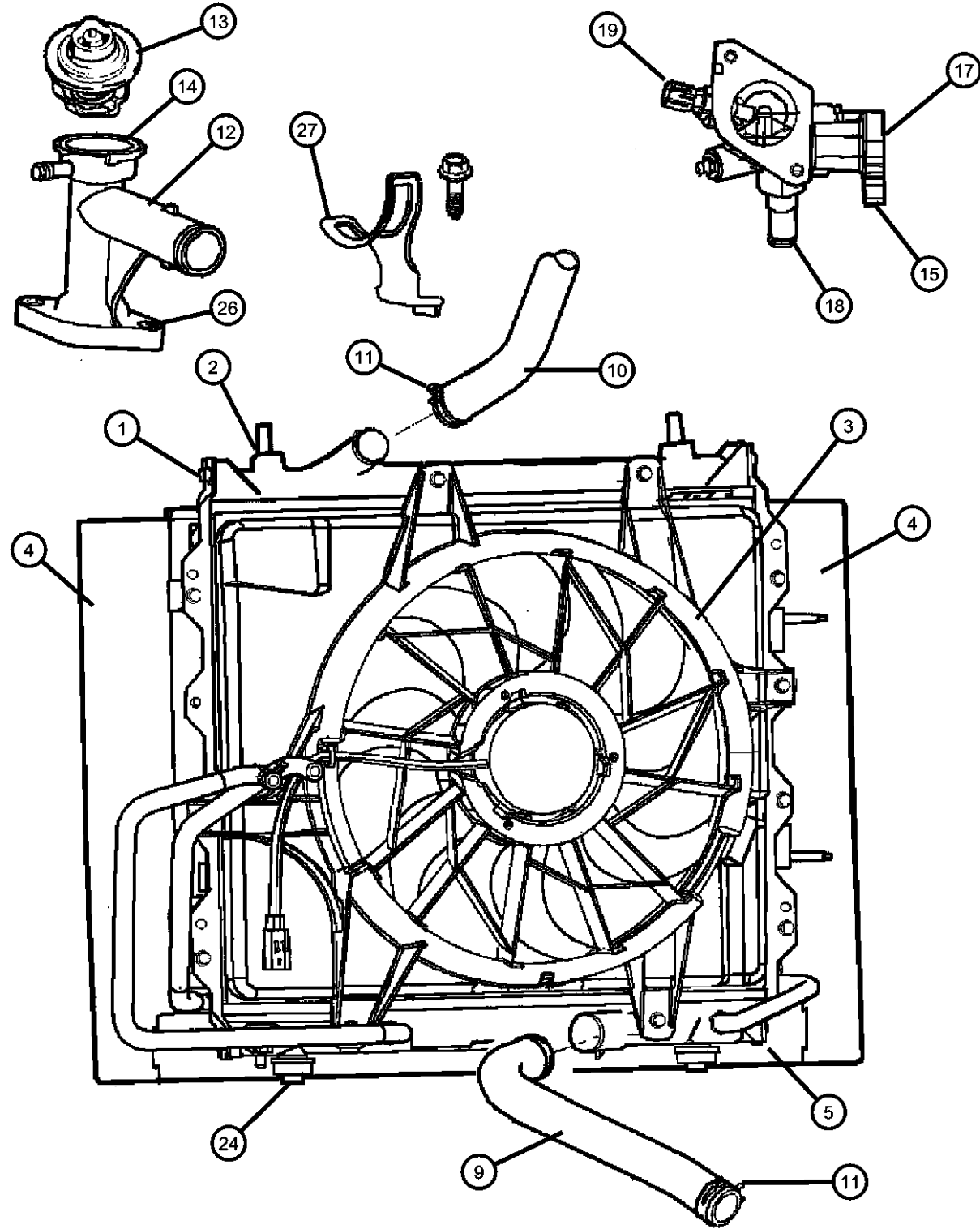
ENGINE
EDJ = 2.2L 4 Cyl Turbo Diesel Engine
EDT = 2.4L 4 Cyl DOHC 16V Turbo Engine
EDV = 2.4L 4 Cyl DOHC 16V HO Turbo Engine
EDZ = 2.4L 4 Cyl DOHC 16V SMPI Engine
EJD = 1.6L 4 Cyl SOHC 16V SMPI

TRANSMISSION
DGL = 4-Speed Automatic Transmission
DD5 = 5-Speed Manual Transmission
DDD = 5-Speed HD Manual Transmission

AR = use ase required - = Non illustrated part

2006 PT

Radiator and Related Parts
Figure 7-110



ITEM	PART NUMBER	QTY	LINE	SERIES	BODY	ENGINE	TRANS	TRIM	DESCRIPTION
		2				EDJ	DDD		
		2				EDZ	DGL		
-25	04596198	1				EJD	DD5		CAP, Radiator
26									SCREW AND WASHER, Hex Head, M6x1x30
	06101939	2				EDZ			
		3				EJD			
		1				EDT, EDV			
27	04891512AA	1				EDZ			BRACKET, Upper Radiator Hose Support

PT CRUISER (PT)

SERIES LINE
H = HIGHLINE C = CHRYSLER
P = PREMIUM Z = CHRYSLER (RHD)
S = SPORT
X = SPECIAL

BODY
27 = 2-DR CONVERTIBLE
44 = HATCHBACK/QUAD
CAB CHASSIS LWB

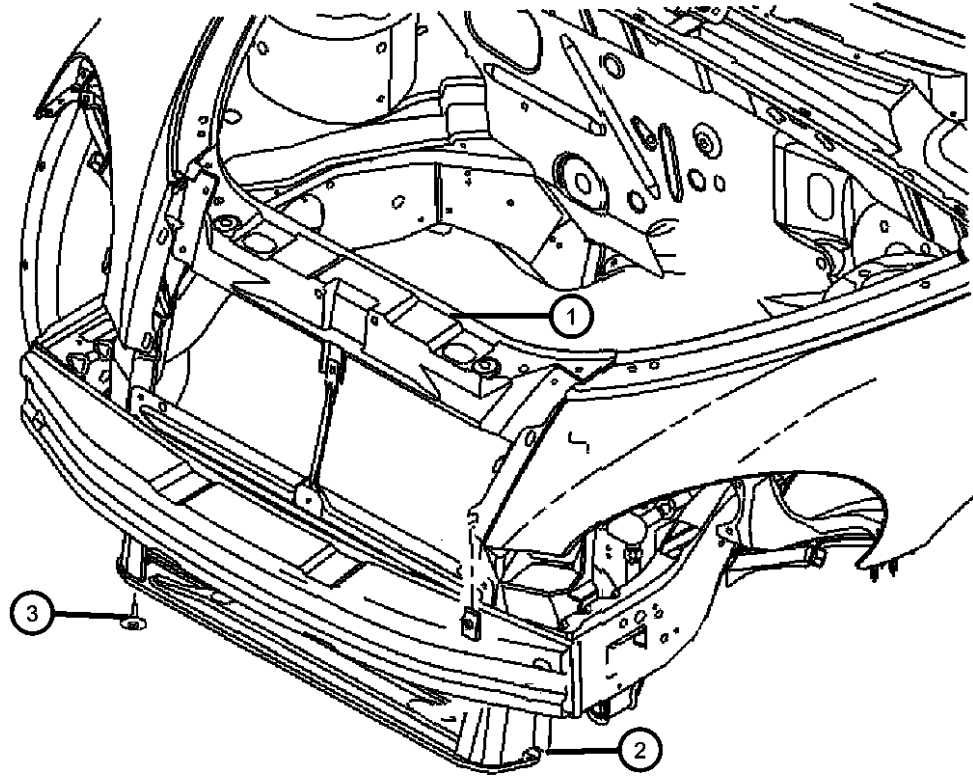
ENGINE TRANSMISSION
EDJ = 2.2L 4 Cyl Turbo Diesel Engine
EDT = 2.4L 4 Cyl DOHC 16V Turbo Engine
EDV = 2.4L 4 Cyl DOHC 16V HO Turbo Engine
EDZ = 2.4L 4 Cyl DOHC 16V SMPI Engine
EJD = 1.6L 4 Cyl SOHC 16V SMPI
DGL = 4-Speed Automatic Transmission
DD5 = 5-Speed Manual Transmission
DDD = 5-Speed HD Manual Transmission

AR = use ase required - = Non illustrated part

2006 PT

**Radiator Support
Figure 7-120**

ITEM	PART NUMBER	QTY	LINE	SERIES	BODY	ENGINE	TRANS	TRIM	DESCRIPTION
1	04724509AC	1							CROSSMEMBER, Radiator Closure Panel
2	05027984AD	1							CROSSMEMBER, RadiatorLower
3	06506161AA	2							SCREW AND WASHER, Tapping Hex Head, M4.2x1.41x20
-4	06102001	2							BOLT AND WASHER, M6x12



PT CRUISER (PT)

SERIES LINE
H = HIGHLINE C = CHRYSLER
P = PREMIUM Z = CHRYSLER (RHD)
S = SPORT
X = SPECIAL

BODY
27 = 2-DR CONVERTIBLE
44 = HATCHBACK/QUAD
CAB CHASSIS LWB

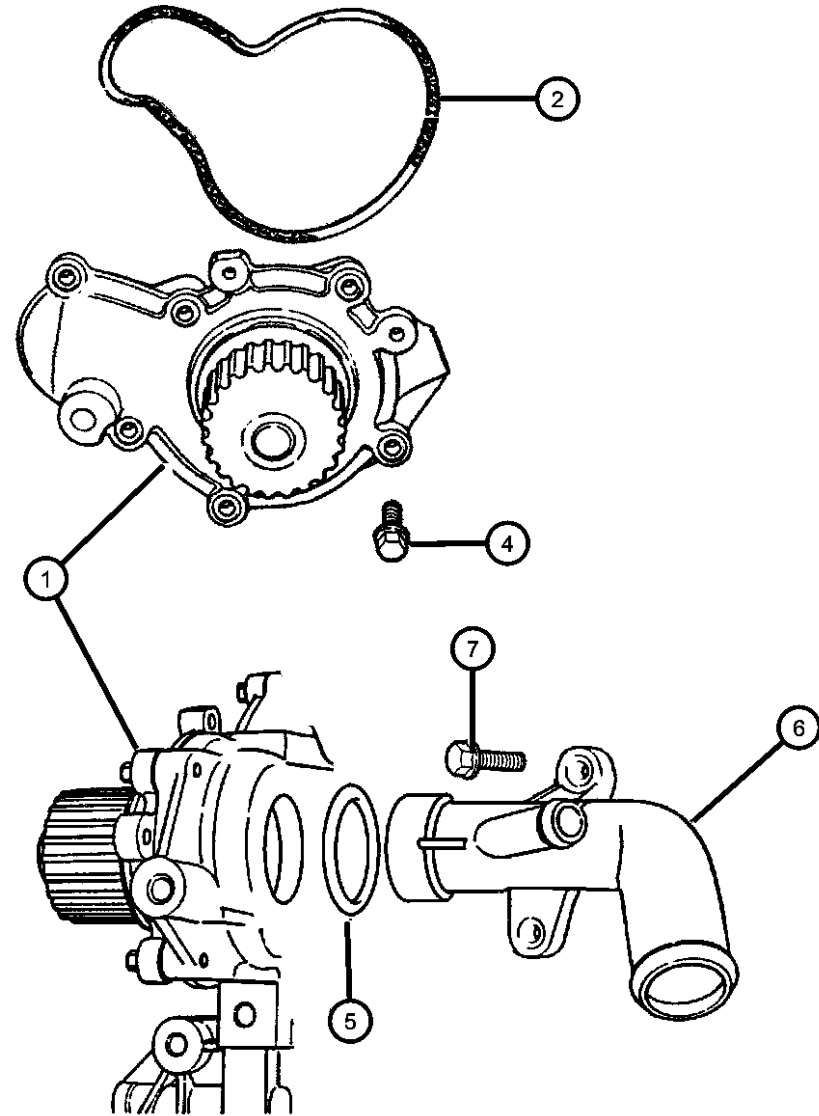
ENGINE TRANSMISSION
EDJ = 2.2L 4 Cyl Turbo Diesel Engine
EDT = 2.4L 4 Cyl DOHC 16V Turbo Engine
EDV = 2.4L 4 Cyl DOHC 16V HO Turbo Engine
EDZ = 2.4L 4 Cyl DOHC 16V SMPI Engine
EJD = 1.6L 4 Cyl SOHC 16V SMPI
DGL = 4-Speed Automatic Transmission
DD5 = 5-Speed Manual Transmission
DDD = 5-Speed HD Manual Transmission

AR = use ase required - = Non illustrated part

**Water Pump and Related Parts
Figure 7-203**

ITEM	PART NUMBER	QTY	LINE	SERIES	BODY	ENGINE	TRANS	TRIM	DESCRIPTION
------	-------------	-----	------	--------	------	--------	-------	------	-------------

NOTE:Sales Codes:
 [EDV] = 2.4L 4 CYL DOHC 16V TURBO
 [EDT] = 2.4L 4 CYL DOHC 16V TURBO
 [EDZ] = 2.4L 4 CYL DOHC 16V



1									PUMP, Water
	04694307AE	1				EDZ			
	04884159AA	1				EDT, EDV			
2	04621564	1				EDT, EDV, EDZ			SEAL, Water Pump Body
-3	04621653	1				EDT, EDV, EDZ			NIPPLE, Heater Return
4									BOLT, Hex Head, M6x1.0x22
	06503255	4				EDT, EDV			
		4				EDZ			
5	06503180	1				EDT, EDV, EDZ			O RING, Water Inlet Tube
6									TUBE, Water Inlet
	04621491AB	1				EDZ			
	04884291AA	1				EDT, EDV			
7	06100274	2				EDT, EDV, EDZ			BOLT AND CONED WASHER, Hex Head, M6x14x14

PT CRUISER (PT)

SERIES LINE
 H = HIGHLINE C = CHRYSLER
 P = PREMIUM Z = CHRYSLER (RHD)
 S = SPORT
 X = SPECIAL

BODY
 27 = 2-DR CONVERTIBLE
 44 = HATCHBACK/QUAD
 CAB CHASSIS LWB

ENGINE
 EDJ = 2.2L 4 Cyl Turbo Diesel Engine
 EDT = 2.4L 4 Cyl DOHC 16V Turbo Engine
 EDV = 2.4L 4 Cyl DOHC 16V HO Turbo Engine
 EDZ = 2.4L 4 Cyl DOHC 16V SMPI Engine
 EJD = 1.6L 4 Cyl SOHC 16V SMPI

TRANSMISSION
 DGL = 4-Speed Automatic Transmission
 DD5 = 5-Speed Manual Transmission
 DDD = 5-Speed HD Manual Transmission

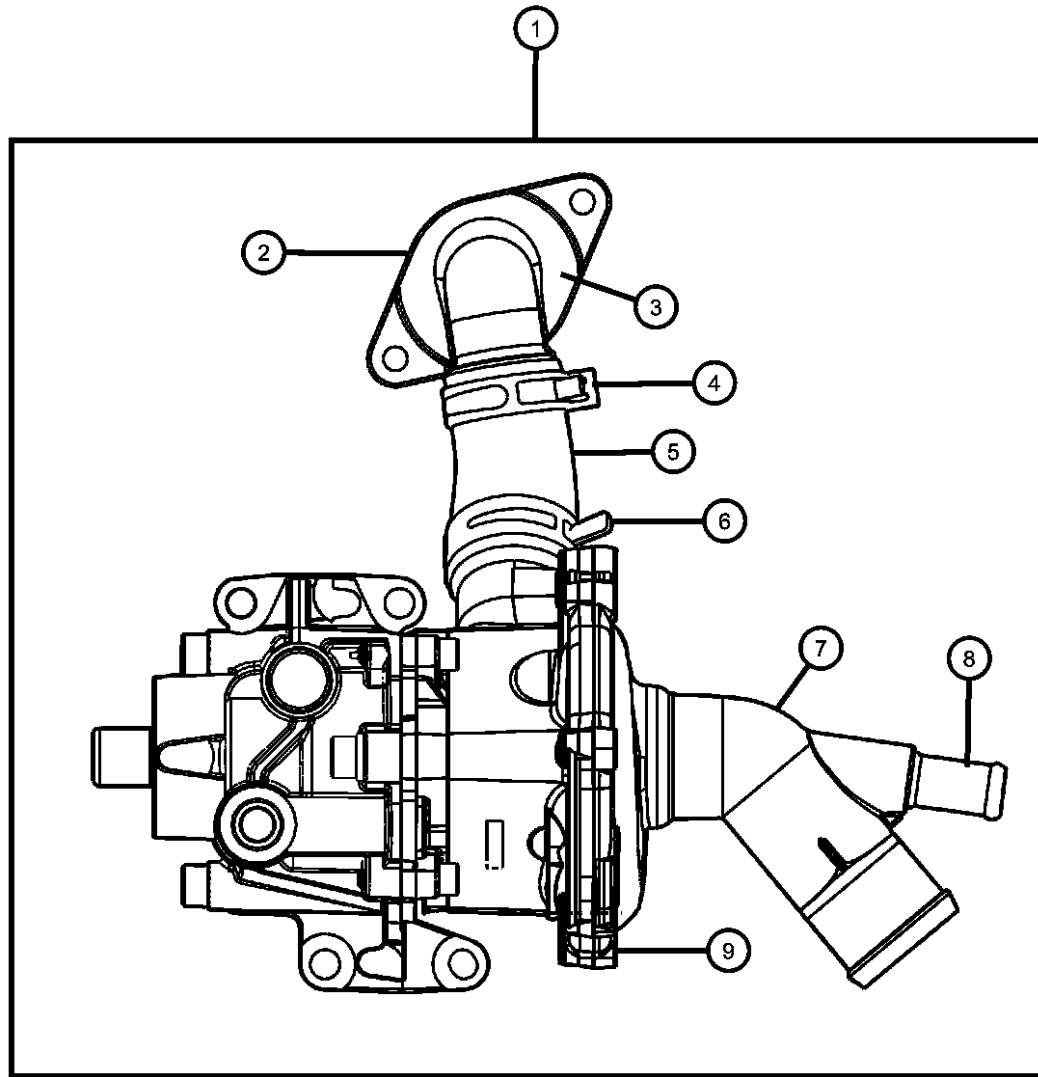
AR = use ase required - = Non illustrated part

2006 PT

**Water Pump/ Power Steering Pump
Figure 7-205**

ITEM	PART NUMBER	QTY	LINE	SERIES	BODY	ENGINE	TRANS	TRIM	DESCRIPTION
------	-------------	-----	------	--------	------	--------	-------	------	-------------

NOTE: Sales Codes:
[EDJ] = 2.2L 4 CYL TURBO DIESEL
[EJD] = ENGINE - 1.6L 4 CYL SOHC 16V SMPI



1	04693090AH	1				EJD			PUMP, Power Steering/Water
	05080488AB	1				EDJ			
2	04693097AA	1				EJD			SEAL, O-Ring
3	04777876AB	1				EJD			HOUSING, Water Outlet
4									CLAMP, Hose
	04592126	1	C			EDJ			
	04693169AA	1				EJD			
5	04693112AB	1				EJD			HOSE, Water Pump
6	04693168AB	1				EJD			CLAMP, Hose
7	04693092AA	1				EJD			COVER, Water Pump
8	04693170AA	1				EJD			NIPPLE, Heater Inlet
9	06101940	2				EJD			SCREW
-10	04693096AA	1				EJD			SEAL, Water Pump Body, Housing to Body
-11	06506300AA	7				EJD			SCREW

PT CRUISER (PT)

SERIES LINE
H = HIGHLINE C = CHRYSLER
P = PREMIUM Z = CHRYSLER (RHD)
S = SPORT
X = SPECIAL

BODY
27 = 2-DR CONVERTIBLE
44 = HATCHBACK/QUAD
CAB CHASSIS LWB

ENGINE
EDJ = 2.2L 4 Cyl Turbo Diesel Engine
EDT = 2.4L 4 Cyl DOHC 16V Turbo Engine
EDV = 2.4L 4 Cyl DOHC 16V HO Turbo Engine
EDZ = 2.4L 4 Cyl DOHC 16V SMPI Engine
EJD = 1.6L 4 Cyl SOHC 16V SMPI

TRANSMISSION
DGL = 4-Speed Automatic Transmission
DD5 = 5-Speed Manual Transmission
DDD = 5-Speed HD Manual Transmission

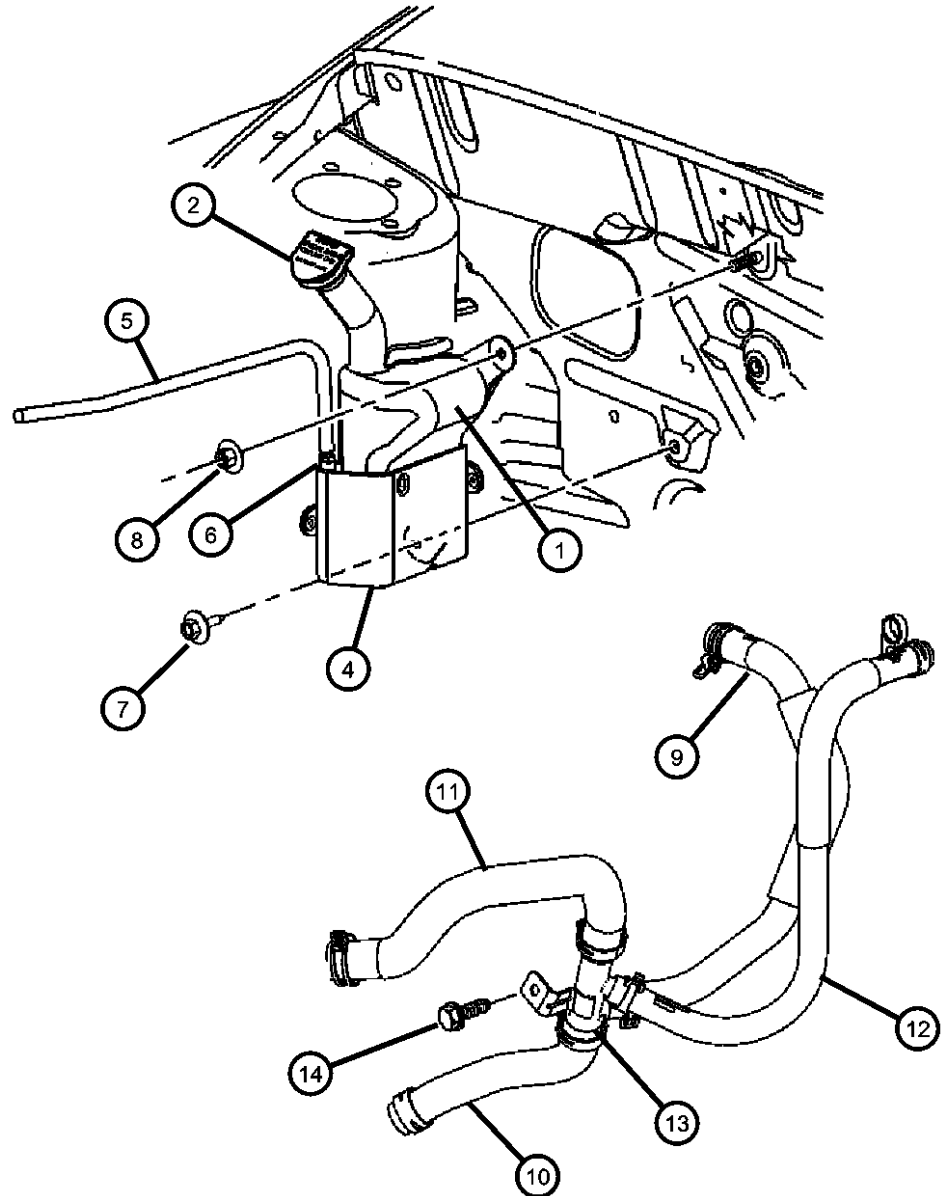
AR = use ase required - = Non illustrated part

2006 PT

**Tank, Coolant Reserve
Figure 7-310**

ITEM	PART NUMBER	QTY	LINE	SERIES	BODY	ENGINE	TRANS	TRIM	DESCRIPTION
------	-------------	-----	------	--------	------	--------	-------	------	-------------

NOTE:Sales Codes:
 [ECC] = 2.0L 4 CYL DOHC 16V SMPI
 [EDJ] = 2.2L 4 CYL TURBO DIESEL
 [EDZ] = 2.4L 4 CYL DOHC 16V
 [EDV] = 2.4L 4 CYL DOHC 16V Turbo
 [EJD] = 1.6L 4 CYL SOHC 16V



1									BOTTLE, Coolant Recovery
	05058070AC	1	C			EDT, EDV			
	05058741AA	1				EDZ			
	05058742AA	1				EJD			
	05278766AC	1				EDJ			
2									CAP, Coolant Reserve Tank
	05066851AA	1	C			EDT, EDV			
	05086226AA	1				EDZ			
-3									HOSE, Overflow, Roll Stock
	04266423	1				EDZ			
		1	C			EDT, EDV			
		1				EJD			
4	05083379AA	1				EDJ			SHIELD, Heat
5	05072195AA	1				EDJ			HOSE, Coolant Reserve Tank
6	04592126	1	C			EDJ			CLAMP, Hose
7	06034716	1							SCREW AND WASHER, Hex Flange Head, .25-14x.875
8	06503676	1							NUT, Hex Flange, M6x1
9	05072184AA	1	Z			EDJ			HOSE, Coolant Bottle Return
10	05072183AA	1	Z			EDJ			HOSE, Engine Oil Cooler Return
11	05072186AA	1	Z			EDJ			HOSE, Water Pump Inlet
12	05058672AF	1	C			EDT, EDV			HOSE, Heater Return
13	05072182AA	1	Z			EDJ			TEE, Coolant Hose
14									BOLT AND CONED WASHER, M8x1.25x18
	06101506	2				EDT, EDV, EDZ			
		1				EDJ			Hose to Engine Block
		2				EJD			

PT CRUISER (PT)

SERIES	LINE	BODY	ENGINE	TRANSMISSION
H = HIGHLINE	C = CHRYSLER	27 = 2-DR CONVERTIBLE	EDJ = 2.2L 4 Cyl Turbo Diesel Engine	DGL = 4-Speed Automatic Transmission
P = PREMIUM	Z = CHRYSLER (RHD)	44 = HATCHBACK/QUAD CAB CHASSIS LWB	EDT = 2.4L 4 Cyl DOHC 16V Turbo Engine	DD5 = 5-Speed Manual Transmission
S = SPORT			EDV = 2.4L 4 Cyl DOHC 16V HO Turbo Engine	DDD = 5-Speed HD Manual Transmission
X = SPECIAL			EDZ = 2.4L 4 Cyl DOHC 16V SMPI Engine	
			EJD = 1.6L 4 Cyl SOHC 16V SMPI	

AR = use ase required - = Non illustrated part

**Pulleys and Related Parts - 2.4L Engine
Figure 7-403**

ITEM	PART NUMBER	QTY	LINE	SERIES	BODY	ENGINE	TRANS	TRIM	DESCRIPTION
------	-------------	-----	------	--------	------	--------	-------	------	-------------

NOTE:Sales Codes:

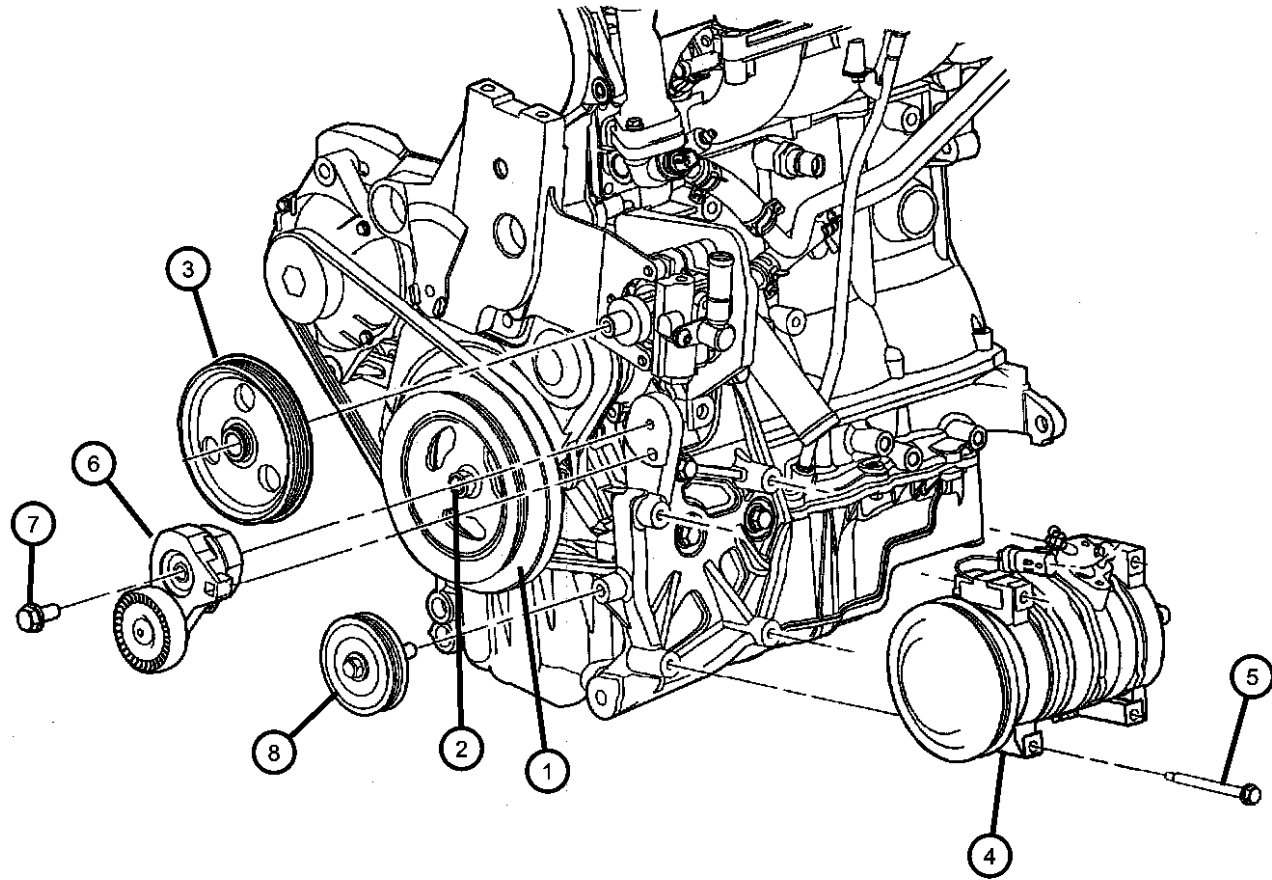
[EDT] = 2.4L I4 DOHC 16V TURBO

[EDV] = 2.4L I4 DOHC 16V H.O. TURBO

[EDZ] = 2.4L 4 CYL DOHC 16V

[DGL] = TRANSMISSION - AUTOMATIC 4-SPD, 41TE

[DD5] = TRANSMISSION - PERF. MANUAL 5-SPEED



1	04777618AF	1				EDT, EDV, EDZ			DAMPER, Crankshaft
2	06503553	1				EDT, EDV, EDZ			BOLT, Hex Flange Head, M12x1.75x87.50
3									PULLEY, Power Steering Pump
	04668448AA	1				EDT, EDV			
		1				EDZ			
4									COMPRESSOR, Air Conditioning
	05058031AC	1				EDT, EDV	DGL		
	05058032AC	1				EDT, EDV	DD5, DDD		
		1				EDZ			
5	06503219	4				EDT, EDV, EDZ			SCREW AND WASHER, Hex Head, M8x1.25x100
6	04668509AD	1				EDT, EDV, EDZ			BRACKET, Tensioner
7	06101763	1				EDT, EDV, EDZ			BOLT AND WASHER, Hex Head, M10x1.5
8	04668588AA	1				EDT, EDV, EDZ			PULLEY, A/C Belt Idler

PT CRUISER (PT)

SERIES	LINE
H = HIGHLINE	C = CHRYSLER
P = PREMIUM	Z = CHRYSLER (RHD)
S = SPORT	
X = SPECIAL	

BODY
27 = 2-DR CONVERTIBLE
44 = HATCHBACK/QUAD CAB CHASSIS LWB

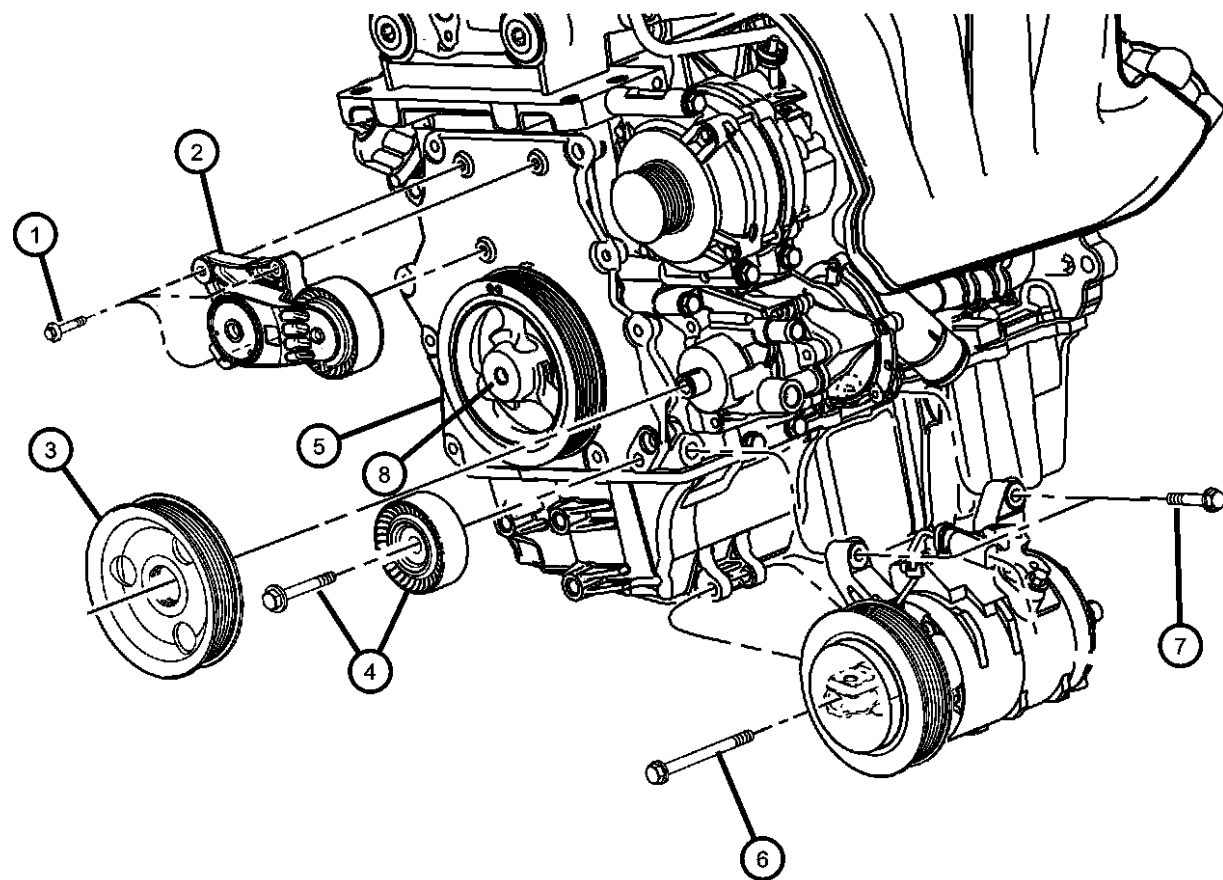
ENGINE	TRANSMISSION
EDJ = 2.2L 4 Cyl Turbo Diesel Engine	DGL = 4-Speed Automatic Transmission
EDT = 2.4L 4 Cyl DOHC 16V Turbo Engine	DD5 = 5-Speed Manual Transmission
EDV = 2.4L 4 Cyl DOHC 16V HO Turbo Engine	DDD = 5-Speed HD Manual Transmission
EDZ = 2.4L 4 Cyl DOHC 16V SMPI Engine	
EJD = 1.6L 4 Cyl SOHC 16V SMPI	

AR = use ase required - = Non illustrated part

2006 PT

Pulleys & Related Parts - 1.6L Engine
Figure 7-420

ITEM	PART NUMBER	QTY	LINE	SERIES	BODY	ENGINE	TRANS	TRIM	DESCRIPTION
1	04668588AA	1							SCREW, Hex Flange Head, (NOT SERVICED)
2	04668451AA	1				EJD			TENSIONER, Belt
3	04668450AA	1				EJD			PULLEY, Power Steering Pump
4	04668455AA	1				EJD			PULLEY, Idler
5	04777681AB	1				EJD			DAMPER, Crankshaft
6	06503219	1				EJD			SCREW AND WASHER, Hex Head, M8x1.25x100
7	06101614	2				EJD			SCREW AND WASHER, Hex Head, M8x1.25x45
8	06506442AA	1				EJD			SCREW



PT CRUISER (PT)

SERIES LINE
H = HIGHLINE C = CHRYSLER
P = PREMIUM Z = CHRYSLER (RHD)
S = SPORT
X = SPECIAL

BODY
27 = 2-DR CONVERTIBLE
44 = HATCHBACK/QUAD
CAB CHASSIS LWB

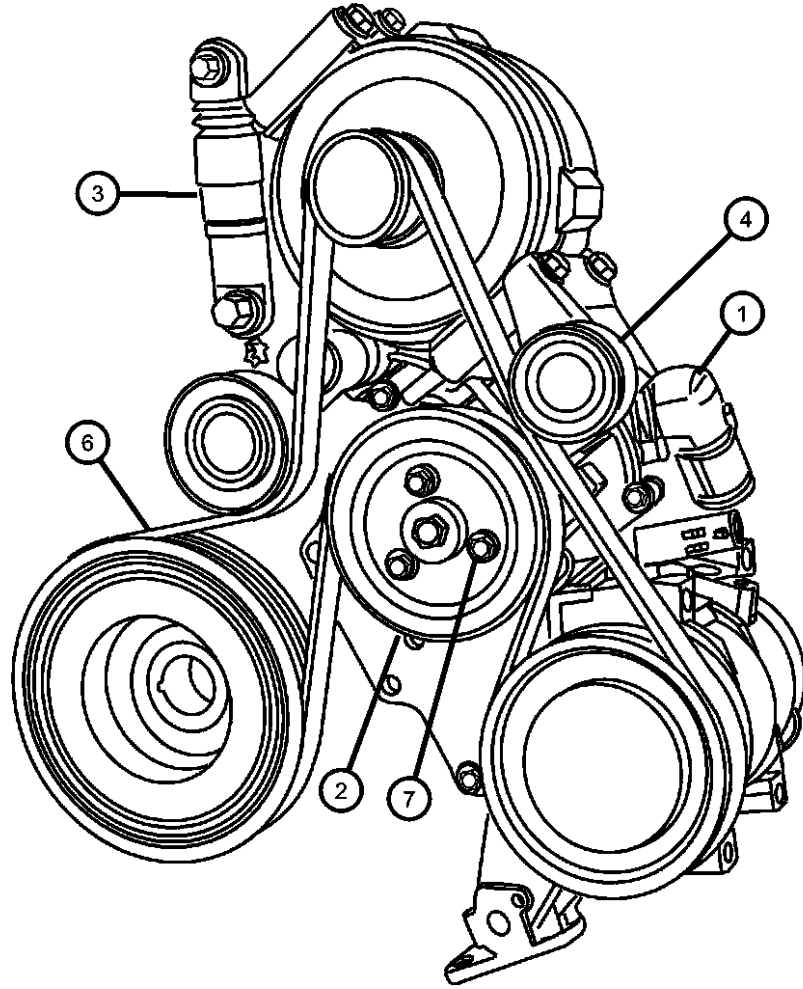
ENGINE TRANSMISSION
EDJ = 2.2L 4 Cyl Turbo Diesel Engine
EDT = 2.4L 4 Cyl DOHC 16V Turbo Engine
EDV = 2.4L 4 Cyl DOHC 16V HO Turbo Engine
EDZ = 2.4L 4 Cyl DOHC 16V SMPI Engine
EJD = 1.6L 4 Cyl SOHC 16V SMPI
DGL = 4-Speed Automatic Transmission
DD5 = 5-Speed Manual Transmission
DDD = 5-Speed HD Manual Transmission

AR = use ase required - = Non illustrated part

2006 PT

Pulleys & Related Parts - 2.2L Engine
Figure 7-430

ITEM	PART NUMBER	QTY	LINE	SERIES	BODY	ENGINE	TRANS	TRIM	DESCRIPTION
1	05080276AA	1				EDJ			TUBE, Water Pump
2	05080492AA	1				EDJ			PULLEY, Water Pump
3	05080312AB	1				EDJ			TENSIONER, Belt
4	05080319AA	1				EDJ			PULLEY, Tensioner
-5	05073717AA	1				EDJ			SCREW Tension Pulley
6	05080313AB	1				EDJ			BELT, V-Belt
7	06104085AA	3				EDJ			SCREW



PT CRUISER (PT)

SERIES LINE
H = HIGHLINE C = CHRYSLER
P = PREMIUM Z = CHRYSLER (RHD)
S = SPORT
X = SPECIAL

BODY
27 = 2-DR CONVERTIBLE
44 = HATCHBACK/QUAD
CAB CHASSIS LWB

ENGINE TRANSMISSION
EDJ = 2.2L 4 Cyl Turbo Diesel Engine
EDT = 2.4L 4 Cyl DOHC 16V Turbo Engine
EDV = 2.4L 4 Cyl DOHC 16V HO Turbo Engine
EDZ = 2.4L 4 Cyl DOHC 16V SMPI Engine
EJD = 1.6L 4 Cyl SOHC 16V SMPI
DGL = 4-Speed Automatic Transmission
DD5 = 5-Speed Manual Transmission
DDD = 5-Speed HD Manual Transmission

AR = use ase required - = Non illustrated part

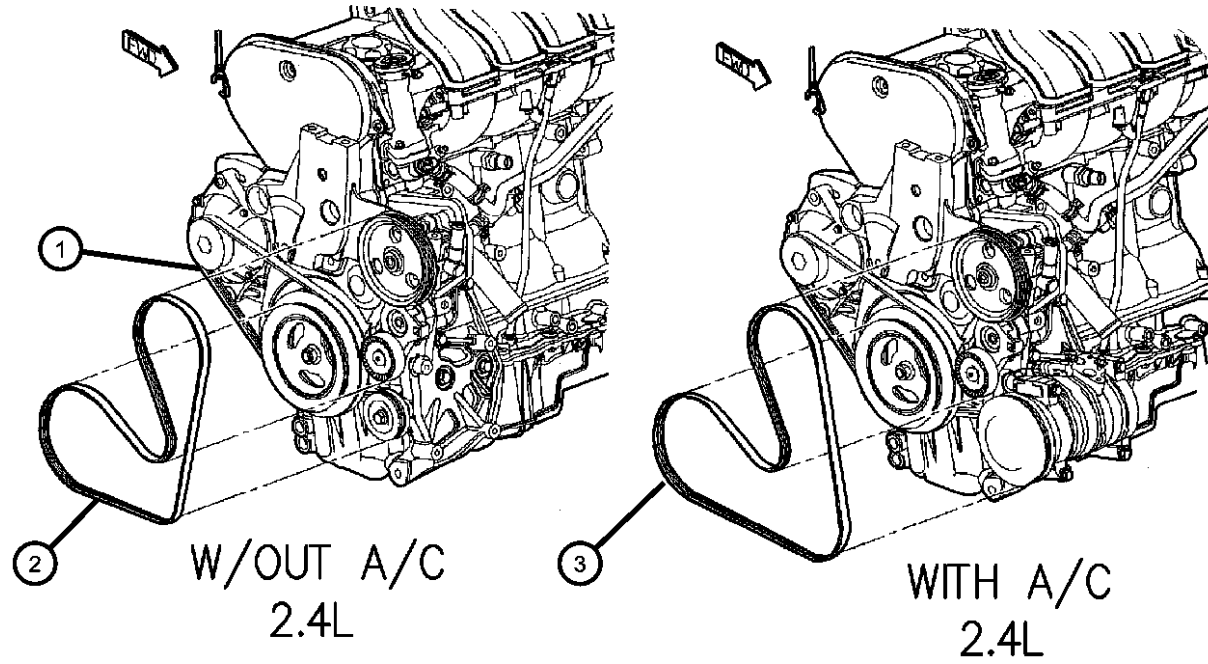
2006 PT

**Belts, Drive - 2.4L Engine
Figure 7-510**

ITEM	PART NUMBER	QTY	LINE	SERIES	BODY	ENGINE	TRANS	TRIM	DESCRIPTION
------	-------------	-----	------	--------	------	--------	-------	------	-------------

NOTE:Sales Code:
 [EDT] = 2.4L I4 DOHC 16V TURBO
 [EDV] = 2.4L I4 DOHC 16V H.O. TURBO
 [EDZ] = 2.4L 4 CYL DOHC 16V

1	04668380AE	1				EDT, EDV, EDZ			BELT, Alternator Drive
	Q4040345								Mopar V-Line Alternative Part
2	04668444AD	1				EDT, EDV, EDZ			BELT, Power Steering
3	04891519AD	1				EDT, EDV, EDZ			BELT, Accessory Drive



PT CRUISER (PT)

SERIES LINE
 H = HIGHLINE C = CHRYSLER
 P = PREMIUM Z = CHRYSLER (RHD)
 S = SPORT
 X = SPECIAL

BODY
 27 = 2-DR CONVERTIBLE
 44 = HATCHBACK/QUAD
 CAB CHASSIS LWB

ENGINE TRANSMISSION
 EDJ = 2.2L 4 Cyl Turbo Diesel Engine
 EDT = 2.4L 4 Cyl DOHC 16V Turbo Engine
 EDV = 2.4L 4 Cyl DOHC 16V HO Turbo Engine
 EDZ = 2.4L 4 Cyl DOHC 16V SMPI Engine
 EJD = 1.6L 4 Cyl SOHC 16V SMPI
 DGL = 4-Speed Automatic Transmission
 DD5 = 5-Speed Manual Transmission
 DDD = 5-Speed HD Manual Transmission

AR = use ase required - = Non illustrated part

2006 PT

**Belts, Drive - 1.6L Engine
Figure 7-520**

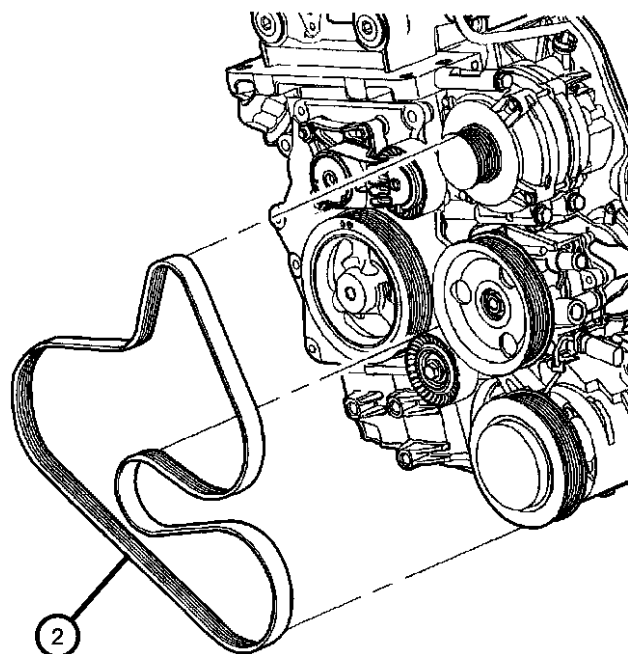
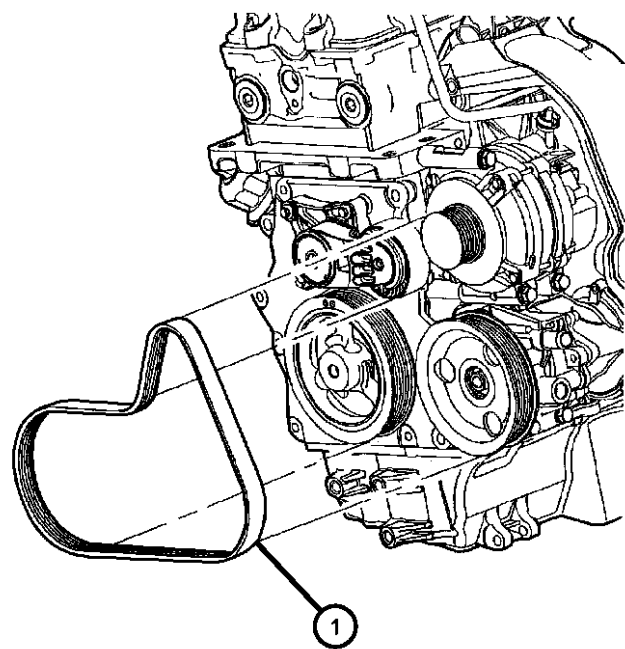
ITEM	PART NUMBER	QTY	LINE	SERIES	BODY	ENGINE	TRANS	TRIM	DESCRIPTION
------	-------------	-----	------	--------	------	--------	-------	------	-------------

NOTE:

Sales Codes:

[EJD] = 1.6L 4 CYL SOHC 16V SMPI

1	04891506AD	1				EJD			BELT, Accessory Drive
2	04891505AB	1				EJD			BELT, Accessory DriveAir Conditioning



PT CRUISER (PT)

SERIES LINE
H = HIGHLINE C = CHRYSLER
P = PREMIUM Z = CHRYSLER (RHD)
S = SPORT
X = SPECIAL

BODY
27 = 2-DR CONVERTIBLE
44 = HATCHBACK/QUAD
CAB CHASSIS LWB

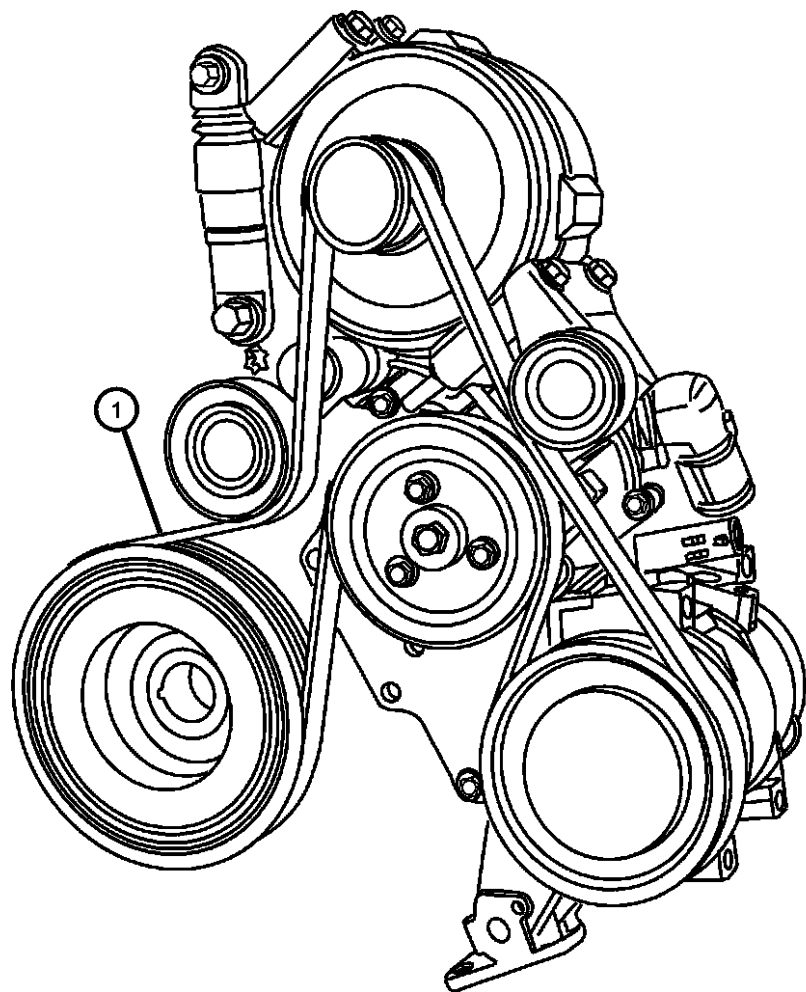
ENGINE TRANSMISSION
EDJ = 2.2L 4 Cyl Turbo Diesel Engine
EDT = 2.4L 4 Cyl DOHC 16V Turbo Engine
EDV = 2.4L 4 Cyl DOHC 16V HO Turbo Engine
EDZ = 2.4L 4 Cyl DOHC 16V SMPI Engine
EJD = 1.6L 4 Cyl SOHC 16V SMPI
DGL = 4-Speed Automatic Transmission
DD5 = 5-Speed Manual Transmission
DDD = 5-Speed HD Manual Transmission

AR = use ase required - = Non illustrated part

2006 PT

**Belts, Drive - 2.2L Diesel
Figure 7-530**

ITEM	PART NUMBER	QTY	LINE	SERIES	BODY	ENGINE	TRANS	TRIM	DESCRIPTION
1	05080313AB	1				EDJ			BELT, V-Belt



PT CRUISER (PT)

SERIES LINE
H = HIGHLINE C = CHRYSLER
P = PREMIUM Z = CHRYSLER (RHD)
S = SPORT
X = SPECIAL

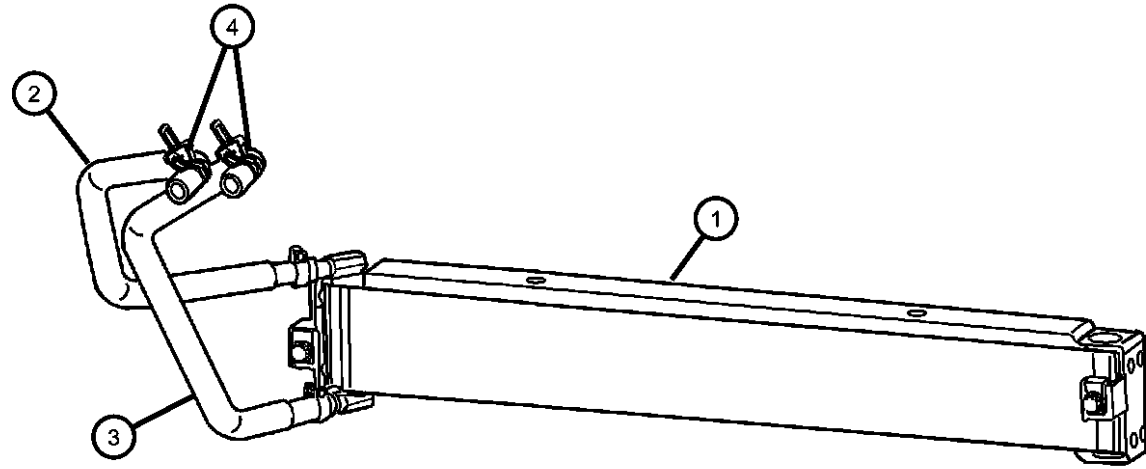
BODY
27 = 2-DR CONVERTIBLE
44 = HATCHBACK/QUAD
CAB CHASSIS LWB

ENGINE TRANSMISSION
EDJ = 2.2L 4 Cyl Turbo Diesel Engine
EDT = 2.4L 4 Cyl DOHC 16V Turbo Engine
EDV = 2.4L 4 Cyl DOHC 16V HO Turbo Engine
EDZ = 2.4L 4 Cyl DOHC 16V SMPI Engine
EJD = 1.6L 4 Cyl SOHC 16V SMPI
DGL = 4-Speed Automatic Transmission
DD5 = 5-Speed Manual Transmission
DDD = 5-Speed HD Manual Transmission

AR = use ase required - = Non illustrated part

2006 PT

**Cooler and Lines
Figure 7-610**



ITEM	PART NUMBER	QTY	LINE	SERIES	BODY	ENGINE	TRANS	TRIM	DESCRIPTION
NOTE:Sales Code: [ECC] = 2.0L DOHC 16V [EDV] = 2.4L 4 CYL DOHC 16V TURBO [EDZ] = 2.4L 4 CYL DOHC 16V [DGL] = TRANSMISSION - AUTOMATIC 4-SPD, 41TE									
1	05096195AC	1				EDT, EDV	DGL		COOLER KIT, Auxiliary Trans Oil
	05142920AA	1	C, Z			EDZ	DGL		Includes Cooler,Inlet and Outlet Hose ,Clamps,Clip and Screw HOSE, Transmission Oil Outlet
2	05174521AA	1				EDZ	DGL		
	05174523AA	1				EDT, EDV	DGL		
3	05174520AA	1				EDZ	DGL		HOSE, Transmission Oil Inlet
	05174522AA	1				EDT, EDV	DGL		
4	04596424AA	2				EDT, EDV	DGL		CLAMP, Hose
-5	05086551AA	4				EDT, EDV	DGL		CLIP, Auxiliary Trans Oil Cooler
		4				EDZ	DGL		

PT CRUISER (PT)

SERIES LINE
H = HIGHLINE C = CHRYSLER
P = PREMIUM Z = CHRYSLER (RHD)
S = SPORT
X = SPECIAL

BODY
27 = 2-DR CONVERTIBLE
44 = HATCHBACK/QUAD
CAB CHASSIS LWB

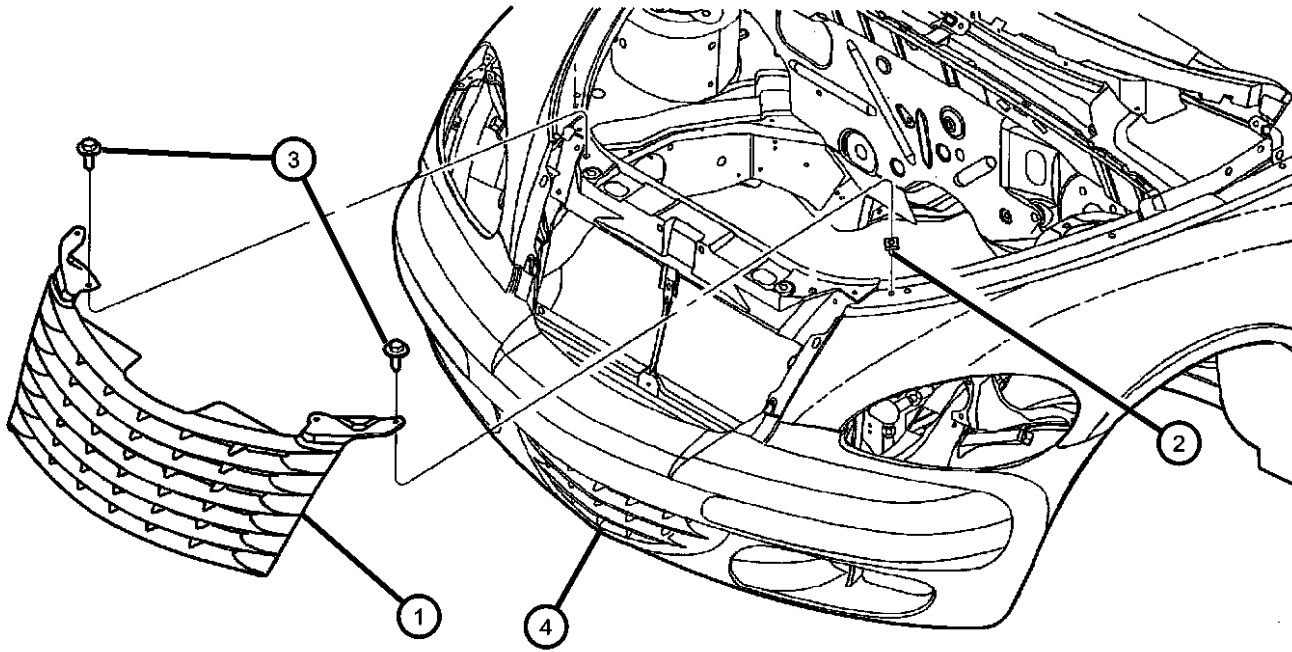
ENGINE
EDJ = 2.2L 4 Cyl Turbo Diesel Engine
EDT = 2.4L 4 Cyl DOHC 16V Turbo Engine
EDV = 2.4L 4 Cyl DOHC 16V HO Turbo Engine
EDZ = 2.4L 4 Cyl DOHC 16V SMPI Engine
EJD = 1.6L 4 Cyl SOHC 16V SMPI

TRANSMISSION
DGL = 4-Speed Automatic Transmission
DD5 = 5-Speed Manual Transmission
DDD = 5-Speed HD Manual Transmission

AR = use ase required - = Non illustrated part

**Grille and Related Parts
Figure 7-710**

ITEM	PART NUMBER	QTY	LINE	SERIES	BODY	ENGINE	TRANS	TRIM	DESCRIPTION
1	05179089AA	1	C, Z						GRILLE, RADIATOR, Primed
		1	C, Z						[MF3] Includes Chrome Strips
	68002102AA	1	C, Z						[MFT]
2	06035802	2							NUT, Spring, Grille to Fender .164-18
3	06506161AA	2							SCREW AND WASHER, Tapping Hex Head, M4.2x1.41x20 Grille to Crossmember
		2							Grille to Fender
4	05116182AB	1							GRILLE, Lower [MCJ,-LNJ]
		1							[MCJ,+LNJ]
	05152033AA	1							[LNJ], Export
		1							Export



PT CRUISER (PT)

SERIES LINE
H = HIGHLINE C = CHRYSLER
P = PREMIUM Z = CHRYSLER (RHD)
S = SPORT
X = SPECIAL

BODY
27 = 2-DR CONVERTIBLE
44 = HATCHBACK/QUAD
CAB CHASSIS LWB

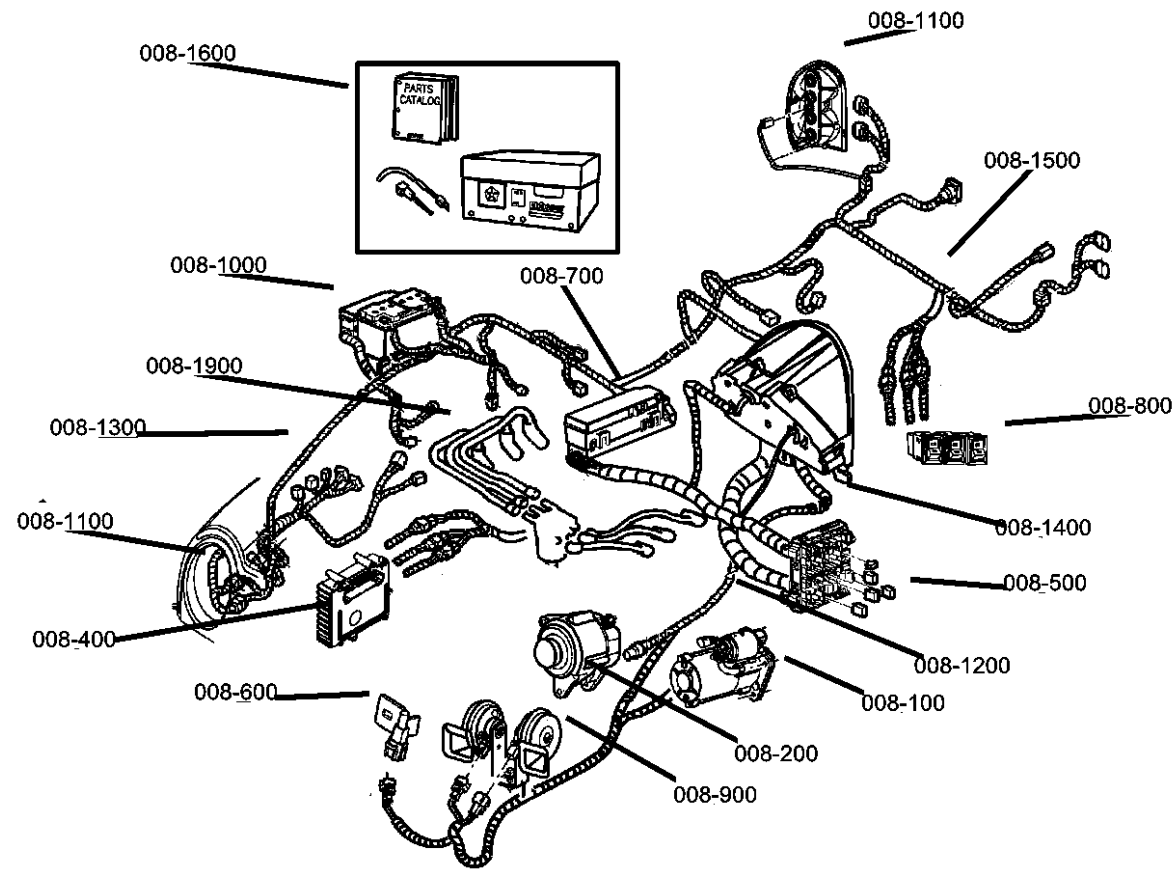
ENGINE TRANSMISSION
EDJ = 2.2L 4 Cyl Turbo Diesel Engine
EDT = 2.4L 4 Cyl DOHC 16V Turbo Engine
EDV = 2.4L 4 Cyl DOHC 16V HO Turbo Engine
EDZ = 2.4L 4 Cyl DOHC 16V SMPI Engine
EJD = 1.6L 4 Cyl SOHC 16V SMPI
DGL = 4-Speed Automatic Transmission
DD5 = 5-Speed Manual Transmission
DDD = 5-Speed HD Manual Transmission

AR = use ase required - = Non illustrated part

2006 PT

Group - 8

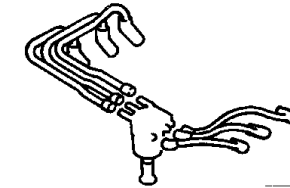
Electrical



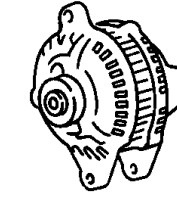
008-1700
Air Bag System



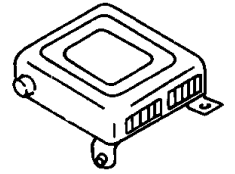
008-1900
Spark Plugs-Cables-Coils



008-200
Alternators



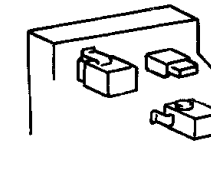
008-400
Modules



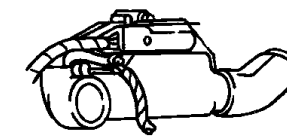
008-500
Relays



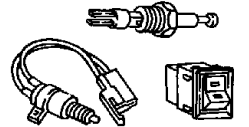
008-600
Sensors



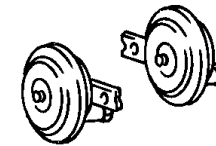
008-700
Single Board Engine Controllers

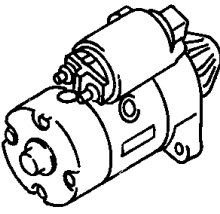
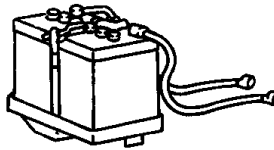
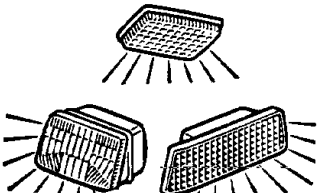
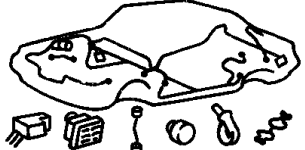
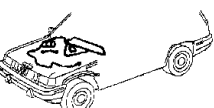
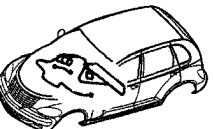
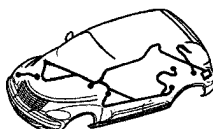


008-800
Switches



008-900
Horns



<p>008-100 Starters</p> 	<p>008-1000 Battery Tray and Cables</p> 	<p>008-1100 Lamps - Front, Rear and Courtesy</p> 	<p>008-1200 Wiring-Engine & Related Parts</p> 
<p>008-1300 Wiring-Headlamp to Dash</p> 	<p>008-1400 Wiring-Instrument Panel</p> 	<p>008-1500 Wiring-Body & Accessories</p> 	<p>008-1600 Wiring Repair</p> <p>WIRING REPAIR PKG.</p>

Group - 8 Electrical

Air Bags and Clockspring.....Fig. 8 - 1710

Spark Plugs-Cables-Coils

Sparkplugs, Cables, CoilsFig. 8 - 1905

Glow Plugs.....Fig. 8 - 1910

Illustration Title

Group-Fig. No.

Starters
Starter.....Fig. 8 - 105

Alternators
Alternator [1.6L-EJD].....Fig. 8 - 205
Alternator [2.4L-EDZ, EDV].....Fig. 8 - 215
Alternator [2.2L-EDJ] Turbo DieselFig. 8 - 220
Alternator [2.4L EDT] DOHC Turbo.....Fig. 8 - 225

Modules
Modules, ElectronicFig. 8 - 405

Relays
Relays, Fuses - Power Distribution Center.....Fig. 8 - 505
Totally Integrated Power Module related partsFig. 8 - 510

Sensors
Sensors, Engine.....Fig. 8 - 605
Sensors, Oxygen.....Fig. 8 - 610
Sensors, TransmissionFig. 8 - 615
Sensors, Body.....Fig. 8 - 620

Single Board Engine Controllers
Powertrain Control Modules.....Fig. 8 - 705

Switches
Switches, Instrument PanelFig. 8 - 805
Switches, Powertrain.....Fig. 8 - 810
Switches, Body.....Fig. 8 - 815

Horns
Horns.....Fig. 8 - 905
Alarm SystemsFig. 8 - 910

Battery Tray and Cables
Battery Tray.....Fig. 8 - 1005

Lamps - Front, Rear and Courtesy
Lamps, FrontFig. 8 - 1105
Lamps, Rear.....Fig. 8 - 1110
Lamps, Cargo-Dome-Courtesy-ReadingFig. 8 - 1115
BulbsFig. 8 - 1120

Wiring-Engine & Related Parts
Wiring-Engine & Related Parts.....Fig. 8 - 1205
Ground Straps.....Fig. 8 - 1210

Wiring-Headlamp to Dash
Wiring, Headlamp to Dash.....Fig. 8 - 1305

Wiring-Instrument Panel
Wiring, Instrument PanelFig. 8 - 1405

Wiring-Body & Accessories
Wiring Body Model 44Fig. 8 - 1505
Wiring Body Model 27Fig. 8 - 1510
Wiring Seats.....Fig. 8 - 1515

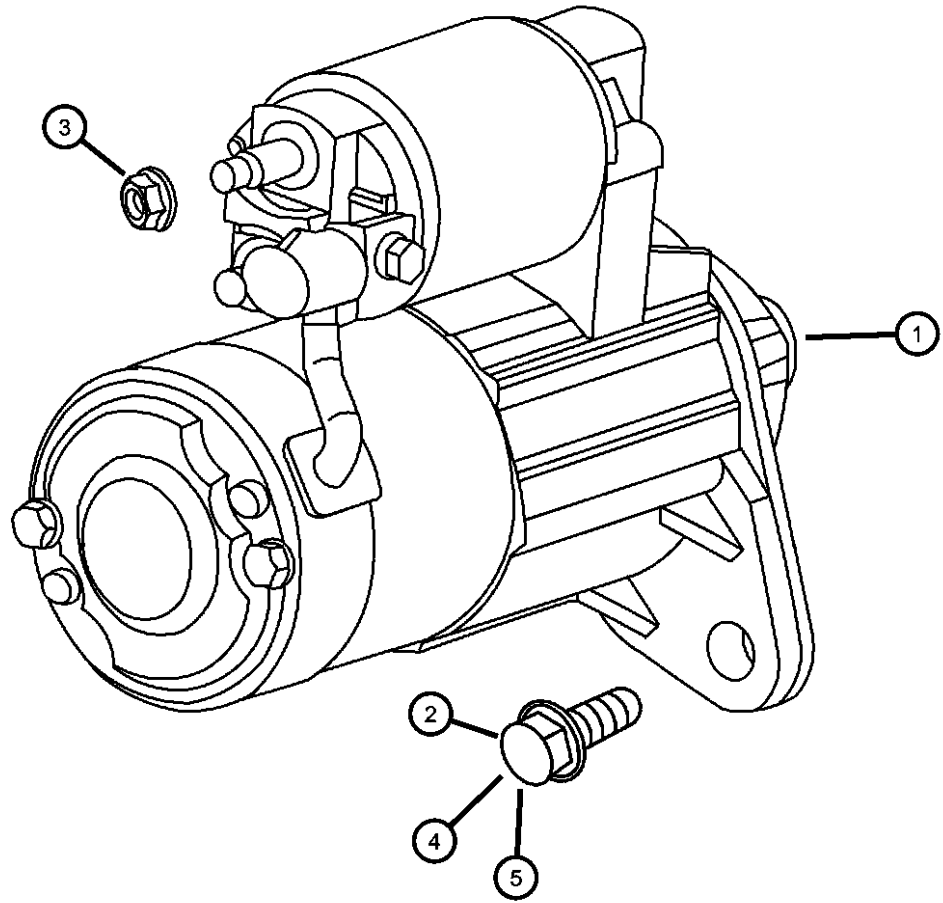
Wiring Repair
Wiring Repair.....Fig. 8 - 1605

Air Bag System
Air Bag Modules and Sensors.....Fig. 8 - 1705

Starter
Figure 8-105

ITEM	PART NUMBER	QTY	LINE	SERIES	BODY	ENGINE	TRANS	TRIM	DESCRIPTION
------	-------------	-----	------	--------	------	--------	-------	------	-------------

[ECC] = 2.0L DOHC 16V
[EDZ] = 2.4L 4 CYL DOHC 16V



1									STARTER
	05033067AB	1				EDZ			
	05033125AB	1				EDJ			
	05033141AB	1				EDT, EDV			
	05293135AB	1				EJD			
2	06502717	2				EDT, EDV, EDZ			SCREW AND WASHER, Hex Head, M10x1.5x50, M10x1.50x50.00, Starter to trans
3	06101809	1							NUT AND WASHER, Hex, M8x1.25, Starter B connector
4	06102018	2				EJD			BOLT, Hex Flange Head, M12x1.75x65, Starter to trans
5	06101999	2				EDJ			SCREW AND WASHER, Hex, Starter to trans

PT CRUISER (PT)

SERIES LINE
H = HIGHLINE C = CHRYSLER
P = PREMIUM Z = CHRYSLER (RHD)
S = SPORT
X = SPECIAL

BODY
27 = 2-DR CONVERTIBLE
44 = HATCHBACK/QUAD
CAB CHASSIS LWB

ENGINE TRANSMISSION
EDJ = 2.2L 4 Cyl Turbo Diesel Engine
EDT = 2.4L 4 Cyl DOHC 16V Turbo Engine
EDV = 2.4L 4 Cyl DOHC 16V HO Turbo Engine
EDZ = 2.4L 4 Cyl DOHC 16V SMPI Engine
EJD = 1.6L 4 Cyl SOHC 16V SMPI
DGL = 4-Speed Automatic Transmission
DD5 = 5-Speed Manual Transmission
DDD = 5-Speed HD Manual Transmission

AR = use ase required - = Non illustrated part

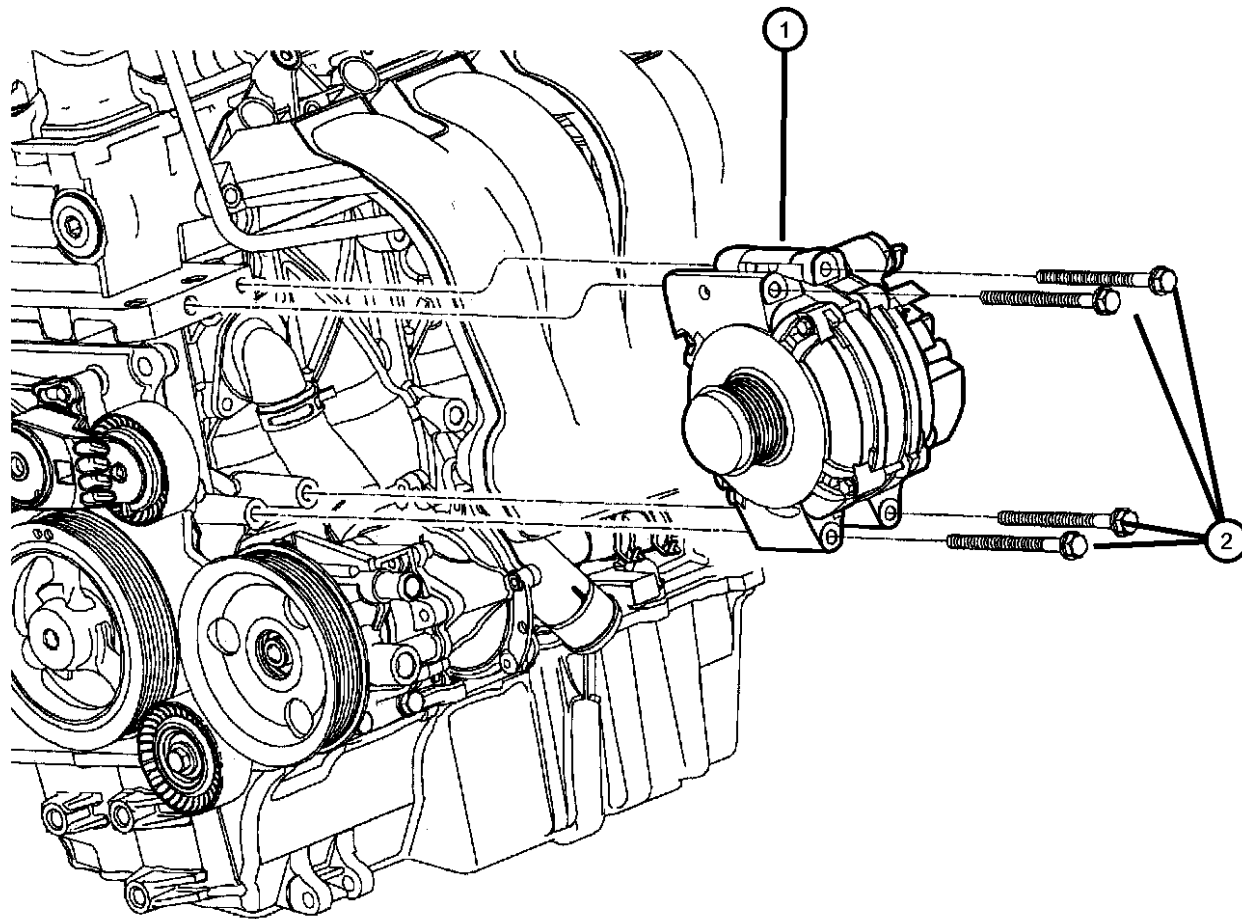
2006 PT

**Alternator [1.6L-EJD]
Figure 8-205**

ITEM	PART NUMBER	QTY	LINE	SERIES	BODY	ENGINE	TRANS	TRIM	DESCRIPTION
------	-------------	-----	------	--------	------	--------	-------	------	-------------

[EJD] = 1.6L 4 Cylinder SOHC

1	04801325AA	1				EJD			ALTERNATOR, Engine
2	06102171AA	4				EJD			SCREW AND WASHER, Hex Head, M8 x 1.25 x 105.00, Alternator mounting



PT CRUISER (PT)

SERIES	LINE
H = HIGHLINE	C = CHRYSLER
P = PREMIUM	Z = CHRYSLER (RHD)
S = SPORT	
X = SPECIAL	

BODY
27 = 2-DR CONVERTIBLE
44 = HATCHBACK/QUAD CAB CHASSIS LWB

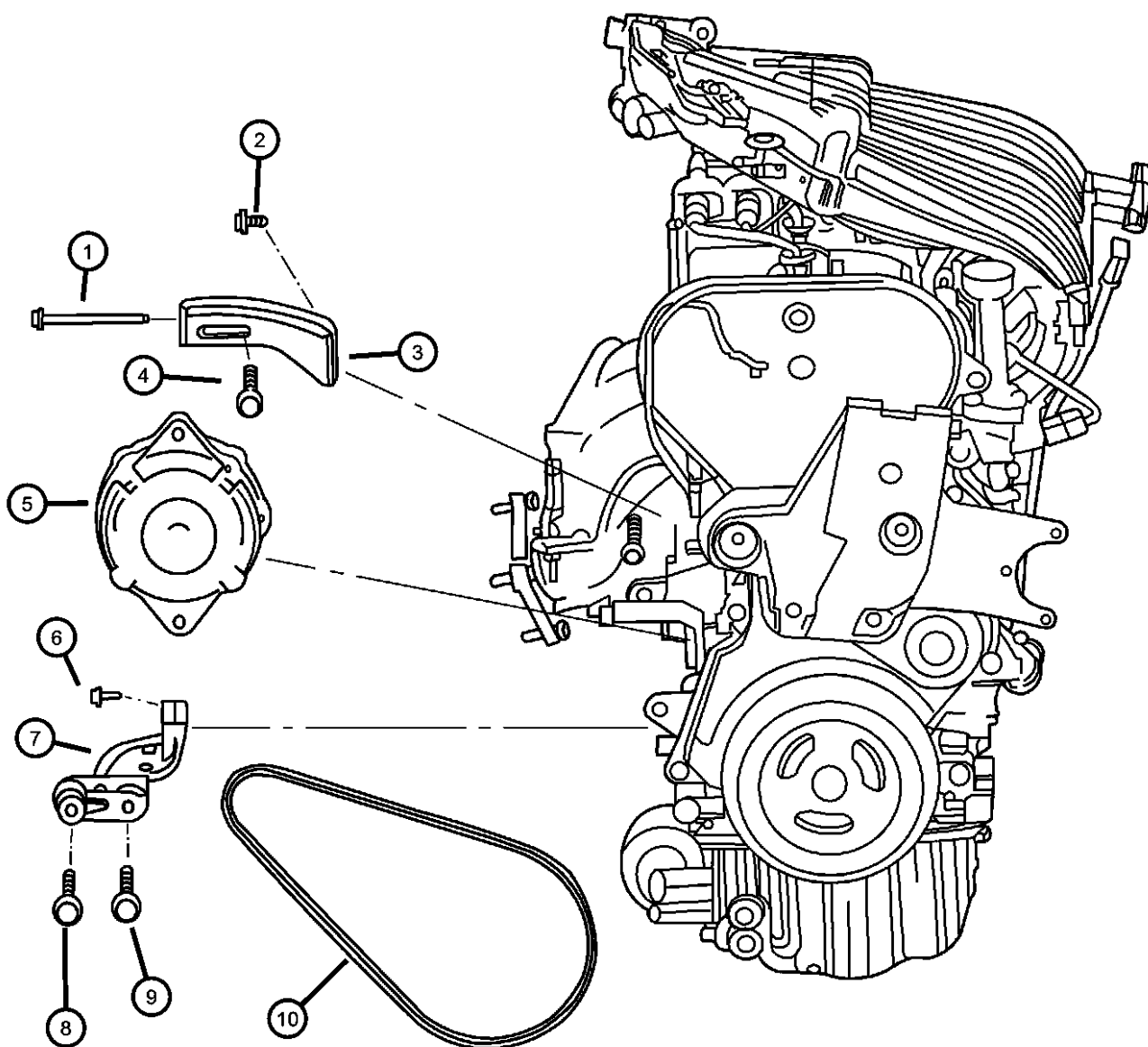
ENGINE	TRANSMISSION
EDJ = 2.2L 4 Cyl Turbo Diesel Engine	DGL = 4-Speed Automatic Transmission
EDT = 2.4L 4 Cyl DOHC 16V Turbo Engine	DD5 = 5-Speed Manual Transmission
EDV = 2.4L 4 Cyl DOHC 16V HO Turbo Engine	DDD = 5-Speed HD Manual Transmission
EDZ = 2.4L 4 Cyl DOHC 16V SMPI Engine	
EJD = 1.6L 4 Cyl SOHC 16V SMPI	

AR = use ase required - = Non illustrated part

2006 PT

Alternator [2.4L-EDZ, EDV]

Figure 8-215



ITEM	PART NUMBER	QTY	LINE	SERIES	BODY	ENGINE	TRANS	TRIM	DESCRIPTION
[EDZ]=2.4L 4 Cylinder									
1	06504286	1				EDT, EDV, EDZ			SCREW, Header Point, M10x1.50x50.00
2	06101503	2				EDT, EDV, EDZ			SCREW AND WASHER, Hex Head, M10x1.5x25
3	04668446AA	1				EDZ			BRACKET, Alternator Adjusting
4	06503705	1				EDT, EDV, EDZ			SCREW AND WASHER, Hex Head Lock, M8x1.25x95, Alternator to alternator bracket
5									ALTERNATOR
	05033343AA	1				EDZ			
	05034702AA	1				EDT, EDV			
6	06101512	2				EDT, EDV			SCREW AND WASHER, Hex Head, M10x1.5x45, Alternator pivot bracket to block
7	04668445AA	1				EDT, EDV, EDZ			BRACKET, Alternator
8									SCREW AND WASHER, Hex Head, M10x1.5x105
	06101623	1				EDZ			Alternator to alternator bracket
		1				EDT, EDV			Alternator to alternator bracket
9	06503705	1				EDT, EDV, EDZ			SCREW AND WASHER, Hex Head Lock, M8x1.25x95, Alternator to alternator bracket
10	04668380AE	1				EDT, EDV, EDZ			BELT, Alternator Drive
	Q4040345								Mopar V-Line Alternative Part
-11	06101448	1				EDT, EDV, EDZ			NUT AND WASHER, Hex Nut-Coned Washer, M10 x 1.5, Alternator to alternator adjuster bracket
-12	06502987	1				EDT, EDV, EDZ			NUT AND RETAINER, Hex Flange Locking, M10 x 1.50, Alternator to alternator bracket
-13	06101802	1				EDZ, EJD			NUT, Alternator B+ connector
-14	06507192AA	1				EDT, EDV			STUD, M10-1.50/M8-1.25x54, Alternator to alternator pivot bracket

PT CRUISER (PT)

SERIES LINE
 H = HIGHLINE C = CHRYSLER
 P = PREMIUM Z = CHRYSLER (RHD)
 S = SPORT
 X = SPECIAL

BODY
 27 = 2-DR CONVERTIBLE
 44 = HATCHBACK/QUAD
 CAB CHASSIS LWB

ENGINE
 EDJ = 2.2L 4 Cyl Turbo Diesel Engine
 EDT = 2.4L 4 Cyl DOHC 16V Turbo Engine
 EDV = 2.4L 4 Cyl DOHC 16V HO Turbo Engine
 EDZ = 2.4L 4 Cyl DOHC 16V SMPI Engine
 EJD = 1.6L 4 Cyl SOHC 16V SMPI

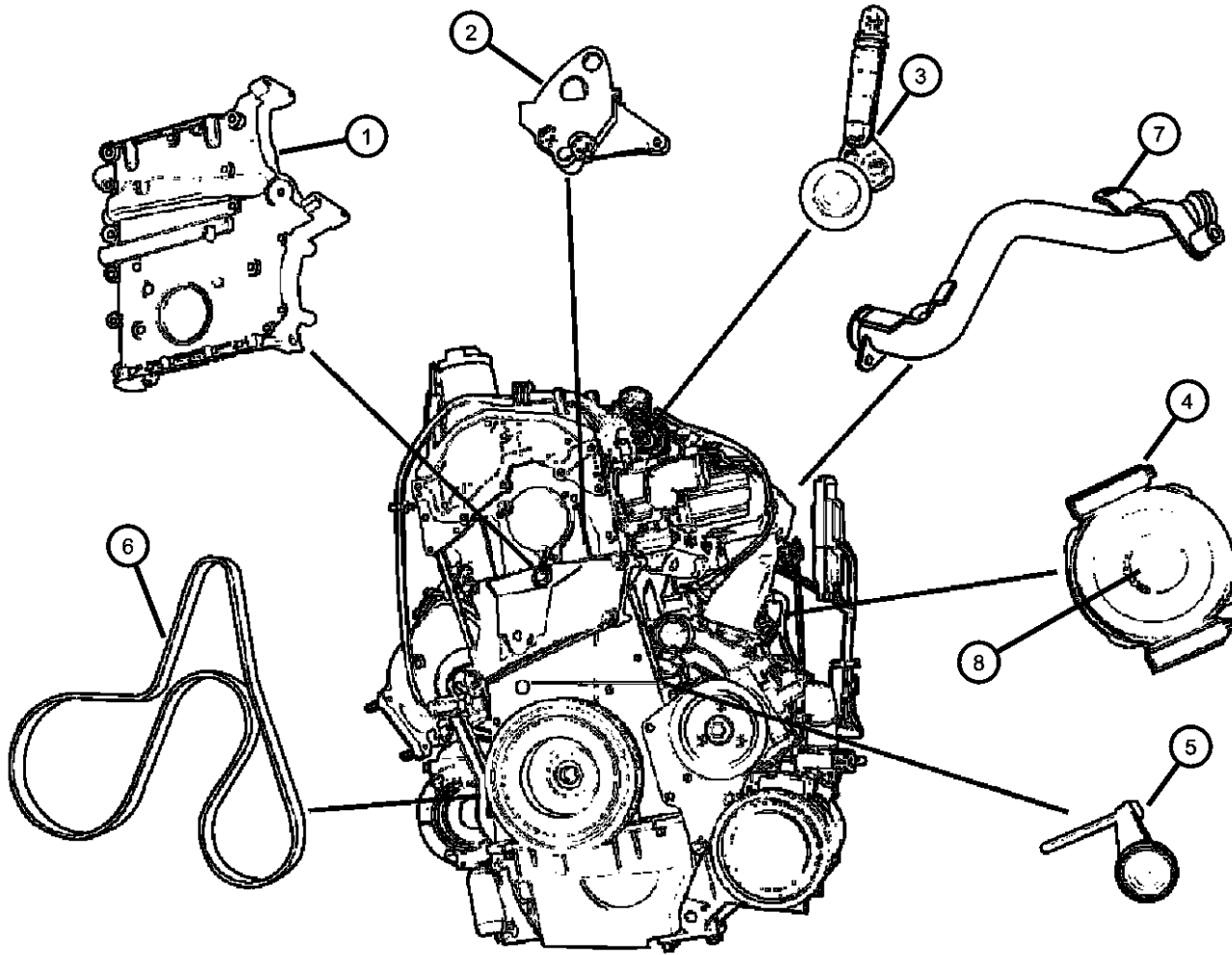
TRANSMISSION
 DGL = 4-Speed Automatic Transmission
 DD5 = 5-Speed Manual Transmission
 DDD = 5-Speed HD Manual Transmission

AR = use ase required - = Non illustrated part

2006 PT

**Alternator [2.2L-EDJ] Turbo Diesel
Figure 8-220**

ITEM	PART NUMBER	QTY	LINE	SERIES	BODY	ENGINE	TRANS	TRIM	DESCRIPTION
1	05073674AB	1				EDJ			COVER, Timing Case
2	05080318AA	1				EDJ			BRACKET, Pulley tensioner
3	05080319AA	1				EDJ			PULLEY, Tensioner
4									ALTERNATOR
	04862629AA	1	C, Z		44, 27	EDJ			Stamped A 013 154 58 02 80
	05080464AC	1				EDJ			Stamped A 013 154 07 02
5	05080312AB	1				EDJ			TENSIONER, Belt
6	05080313AB	1				EDJ			BELT, V-Belt
7	05080264AA	1				EDJ			HOSE, Alternator to cylinder head
8	05117591AA	1				EDJ			PULLEY, Alternator



PT CRUISER (PT)

SERIES LINE
H = HIGHLINE C = CHRYSLER
P = PREMIUM Z = CHRYSLER (RHD)
S = SPORT
X = SPECIAL

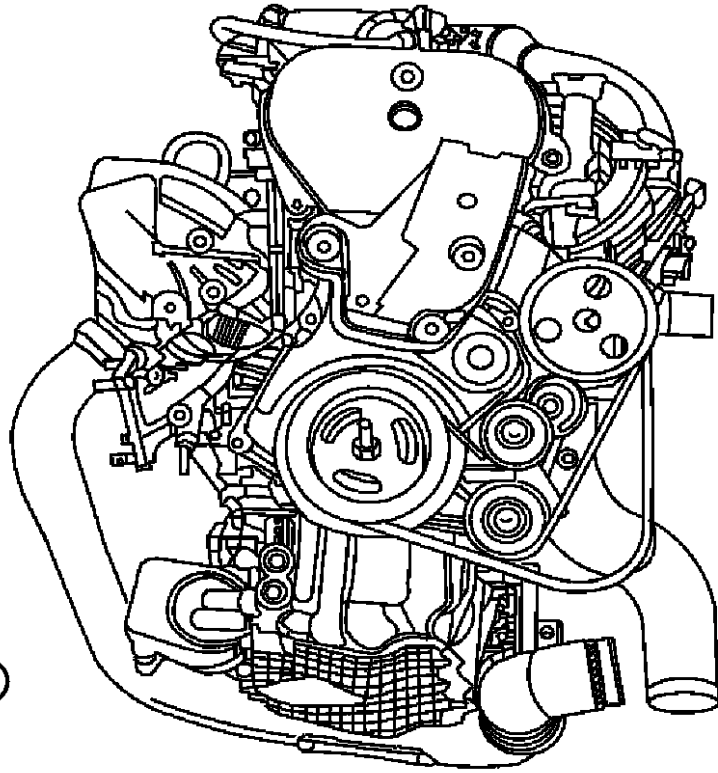
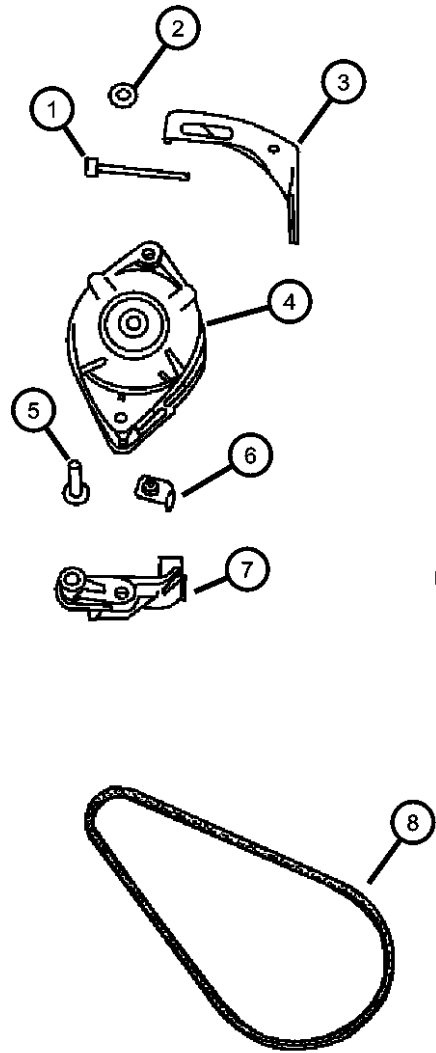
BODY
27 = 2-DR CONVERTIBLE
44 = HATCHBACK/QUAD
CAB CHASSIS LWB

ENGINE TRANSMISSION
EDJ = 2.2L 4 Cyl Turbo Diesel Engine
EDT = 2.4L 4 Cyl DOHC 16V Turbo Engine
EDV = 2.4L 4 Cyl DOHC 16V HO Turbo Engine
EDZ = 2.4L 4 Cyl DOHC 16V SMPI Engine
EJD = 1.6L 4 Cyl SOHC 16V SMPI
DGL = 4-Speed Automatic Transmission
DD5 = 5-Speed Manual Transmission
DDD = 5-Speed HD Manual Transmission

AR = use ase required - = Non illustrated part

2006 PT

Alternator [2.4L EDT] DOHC Turbo
Figure 8-225



ITEM	PART NUMBER	QTY	LINE	SERIES	BODY	ENGINE	TRANS	TRIM	DESCRIPTION
1	06503705	1				EDT, EDV, EDZ			SCREW AND WASHER, Hex Head Lock, M8x1.25x95, Alternator to alternator bracket
2	06101448	1				EDT, EDV, EDZ			NUT AND WASHER, Hex Nut-Coned Washer, M10 x 1.5, Alternator to alternator adjuster bracket
3	04891533AA	1				EDT, EDV			BRACKET, Alternator Adjusting
4	05034702AA	1				EDT, EDV			ALTERNATOR
5	06101623	1				EDT, EDV			SCREW AND WASHER, Hex Head, M10x1.5x105, Alternator to alternator adjuster bracket
6	06502987	1				EDT, EDV, EDZ			NUT AND RETAINER, Hex Flange Locking, M10 x 1.50, Alternator to alternator bracket
7	04668445AA	1				EDT, EDV, EDZ			BRACKET, Alternator
8	04668380AE	1				EDT, EDV, EDZ			BELT, Alternator Drive
	Q4040345								Mopar V-Line Alternative Part

PT CRUISER (PT)

SERIES LINE
H = HIGHLINE C = CHRYSLER
P = PREMIUM Z = CHRYSLER (RHD)
S = SPORT
X = SPECIAL

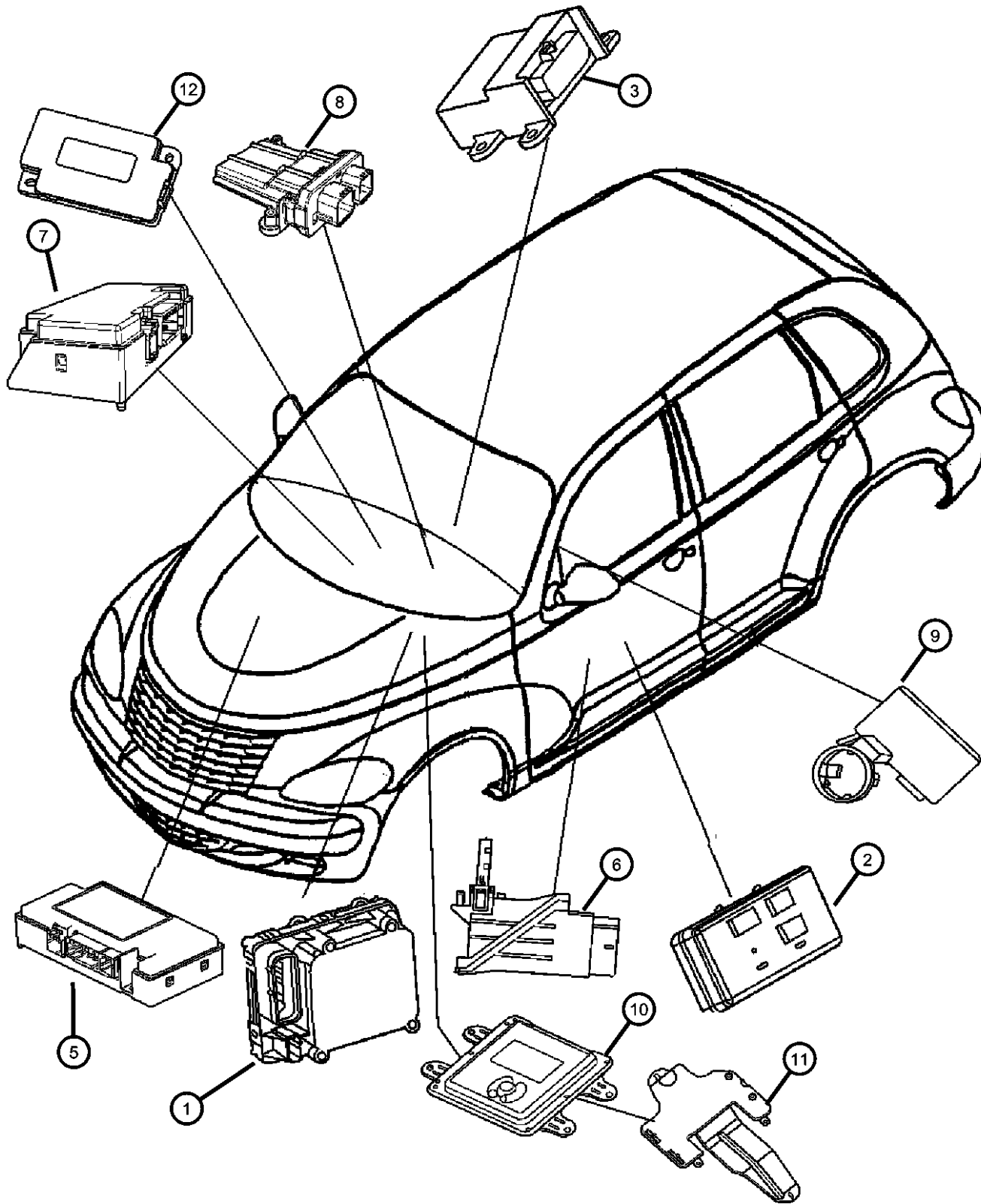
BODY
27 = 2-DR CONVERTIBLE
44 = HATCHBACK/QUAD
CAB CHASSIS LWB

ENGINE TRANSMISSION
EDJ = 2.2L 4 Cyl Turbo Diesel Engine
EDT = 2.4L 4 Cyl DOHC 16V Turbo Engine
EDV = 2.4L 4 Cyl DOHC 16V HO Turbo Engine
EDZ = 2.4L 4 Cyl DOHC 16V SMPI Engine
EJD = 1.6L 4 Cyl SOHC 16V SMPI
DGL = 4-Speed Automatic Transmission
DD5 = 5-Speed Manual Transmission
DDD = 5-Speed HD Manual Transmission

AR = use ase required - = Non illustrated part

2006 PT

Modules, Electronic
Figure 8-405



ITEM	PART NUMBER	QTY	LINE	SERIES	BODY	ENGINE	TRANS	TRIM	DESCRIPTION
1	05179520AA	1							MODULE, Anti-lock Brakes [BRK]
	05179521AA	1							[BRT,BR4,BNM]
2	04602522AD	1	Z		44	EAD			MODULE, Heated Seat Control
		1	Z		44	EAG			
		1	C		44				
		1	C		27				
3	04714680AD	1			44				MODULE, Occupant Restraint [CG3,CJ1]
	04714681AD	1			44				[CG1,CJ1]
	04714682AD	1							[CG3]
	04714684AD	1			27				[CG3,CJ1]
	04714685AD	1			27				[CG1,CJ1]
-4	06504341	3							SCREW, Tapping, M6x1.00x15.00
5	05064013AU	1							MODULE, Telematics
6	05064013AU	1							SMART MODULE, Serviced in regulator assy, (NOT SERVICED)
7	56040704AD	1							MODULE, Telematics, Attaches to back of radio
8	05084006AH	1	C		44				MODULE, Occupant Classification
		1	C		27				
9	05026045AI	1							MODULE, Receiver [GXN,GXX] After 04/18/05
	05026227AC	1							[GXX,GXP,LS9]
	56040547AE	1							Export
	56040680AE	1							[GXX,GXR]
	56040680AH	1							[GXX] Up to 04/18/05
	05026045AE	1							[GXN,GXX] Up to 04/18/05
	56040684AH	1							[GXX] After 04/18/05
10	04692041AD	1				EJD		MODULE, Gateway	
11	04692056AA	1				EJD		BRACKET, Module	

PT CRUISER (PT)

SERIES LINE
H = HIGHLINE C = CHRYSLER
P = PREMIUM Z = CHRYSLER (RHD)
S = SPORT
X = SPECIAL

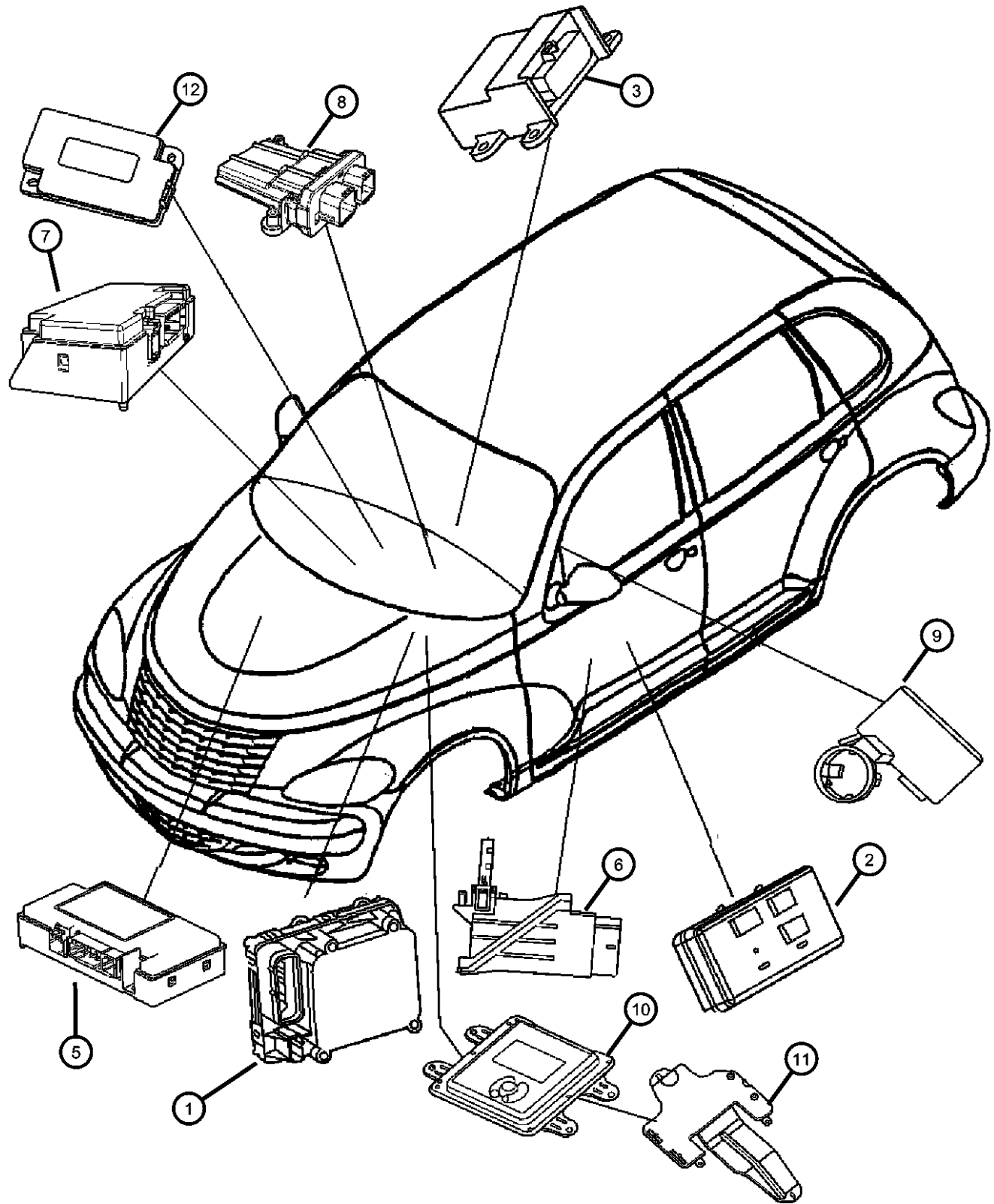
BODY
27 = 2-DR CONVERTIBLE
44 = HATCHBACK/QUAD
CAB CHASSIS LWB

ENGINE
EDJ = 2.2L 4 Cyl Turbo Diesel Engine
EDT = 2.4L 4 Cyl DOHC 16V Turbo Engine
EDV = 2.4L 4 Cyl DOHC 16V HO Turbo Engine
EDZ = 2.4L 4 Cyl DOHC 16V SMPI Engine
EJD = 1.6L 4 Cyl SOHC 16V SMPI

TRANSMISSION
DGL = 4-Speed Automatic Transmission
DD5 = 5-Speed Manual Transmission
DDD = 5-Speed HD Manual Transmission

AR = use ase required - = Non illustrated part

Modules, Electronic
Figure 8-405



ITEM	PART NUMBER	QTY	LINE	SERIES	BODY	ENGINE	TRANS	TRIM	DESCRIPTION
12	04671918AD	1							MODULE, Compass
-13	05026120AC	1	C, Z		27				RECEIVER, Alarm, Convertible Only

PT CRUISER (PT)

SERIES LINE
H = HIGHLINE C = CHRYSLER
P = PREMIUM Z = CHRYSLER (RHD)
S = SPORT
X = SPECIAL

BODY
27 = 2-DR CONVERTIBLE
44 = HATCHBACK/QUAD
CAB CHASSIS LWB

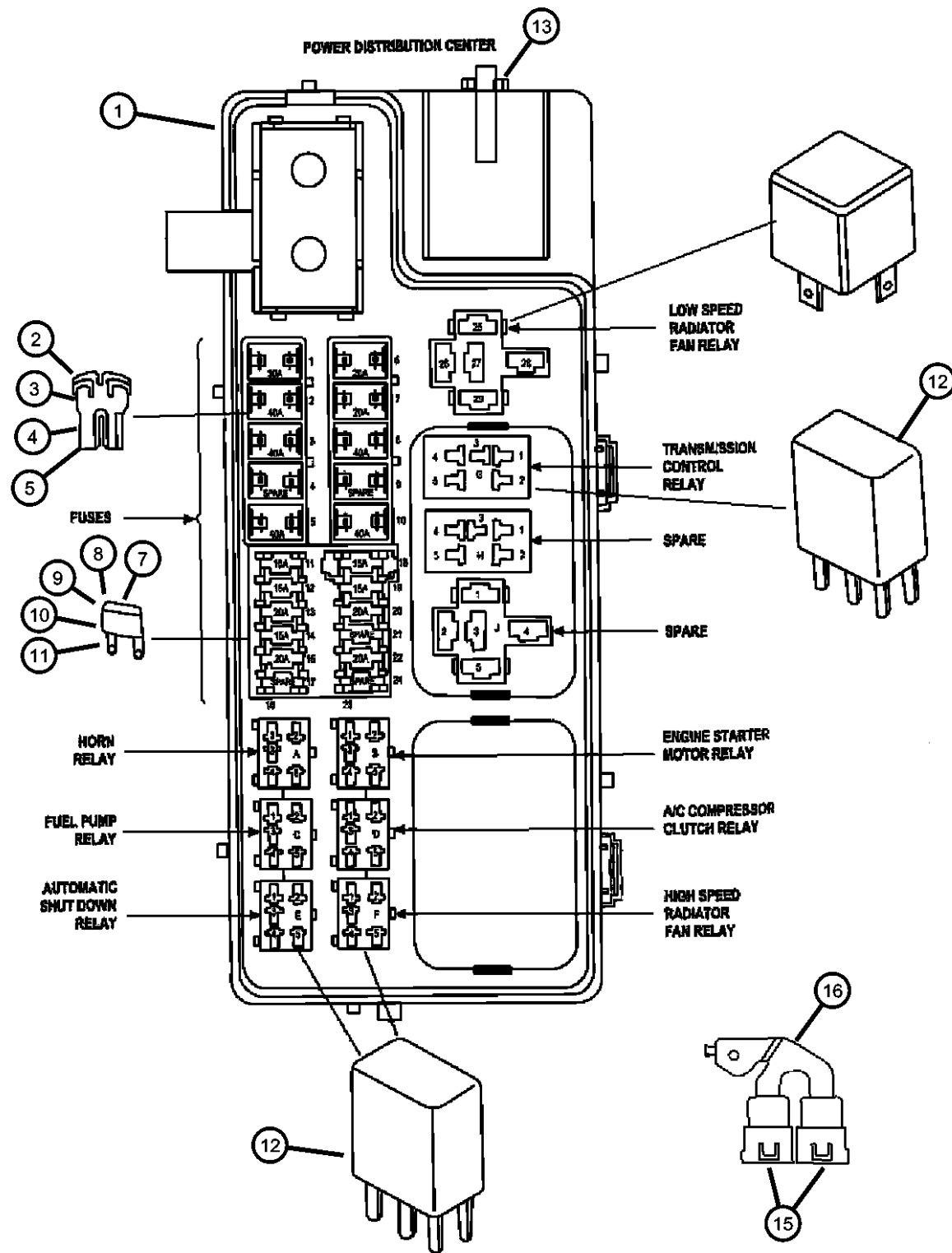
ENGINE
EDJ = 2.2L 4 Cyl Turbo Diesel Engine
EDT = 2.4L 4 Cyl DOHC 16V Turbo Engine
EDV = 2.4L 4 Cyl DOHC 16V HO Turbo Engine
EDZ = 2.4L 4 Cyl DOHC 16V SMPI Engine
EJD = 1.6L 4 Cyl SOHC 16V SMPI

TRANSMISSION
DGL = 4-Speed Automatic Transmission
DD5 = 5-Speed Manual Transmission
DDD = 5-Speed HD Manual Transmission

AR = use ase required - = Non illustrated part

2006 PT

Relays, Fuses - Power Distribution Center
Figure 8-505



ITEM	PART NUMBER	QTY	LINE	SERIES	BODY	ENGINE	TRANS	TRIM	DESCRIPTION
1	56049714AH	1			27				MODULE, Totally Integrated Power
	56049719AH	1			44				
2	06102075AA	AR							FUSE CARTRIDGE, 20 Amp
3	04868007AA	2			27				FUSE CARTRIDGE, 30 Amp
		2			44				
4	04868008AA	5			27				FUSE CARTRIDGE, 40 Amp
		4			44				
5	06102078AA	1			27				FUSE CARTRIDGE, 50 Amp
		1			44				
-6	68021185AA	1	Z		44	EDJ	DDD		FUSE CARTRIDGE, 80 Amp
		1	C		44	EDJ	DDD		
7	000ATM30	2			44				FUSE, Mini, 30 AMP, Green
		1			27				
8	000ATM25	2			27				FUSE, Mini, 25 Amp, Natural
		1			44				
9	000ATM20	7			44				FUSE, Mini, 20 AMP, Yellow
		7			27				
10	000ATM15	AR							FUSE, Mini, 15 AMP, Light Blue
11	000ATM10	AR							FUSE, Mini, 10 AMP, Red
12	05269988AA	AR							RELAY, Mini
13	06101757	1	C		27				FUSIBLE LINK
		1				EJD			

PT CRUISER (PT)

SERIES LINE
 H = HIGHLINE C = CHRYSLER
 P = PREMIUM Z = CHRYSLER (RHD)
 S = SPORT
 X = SPECIAL

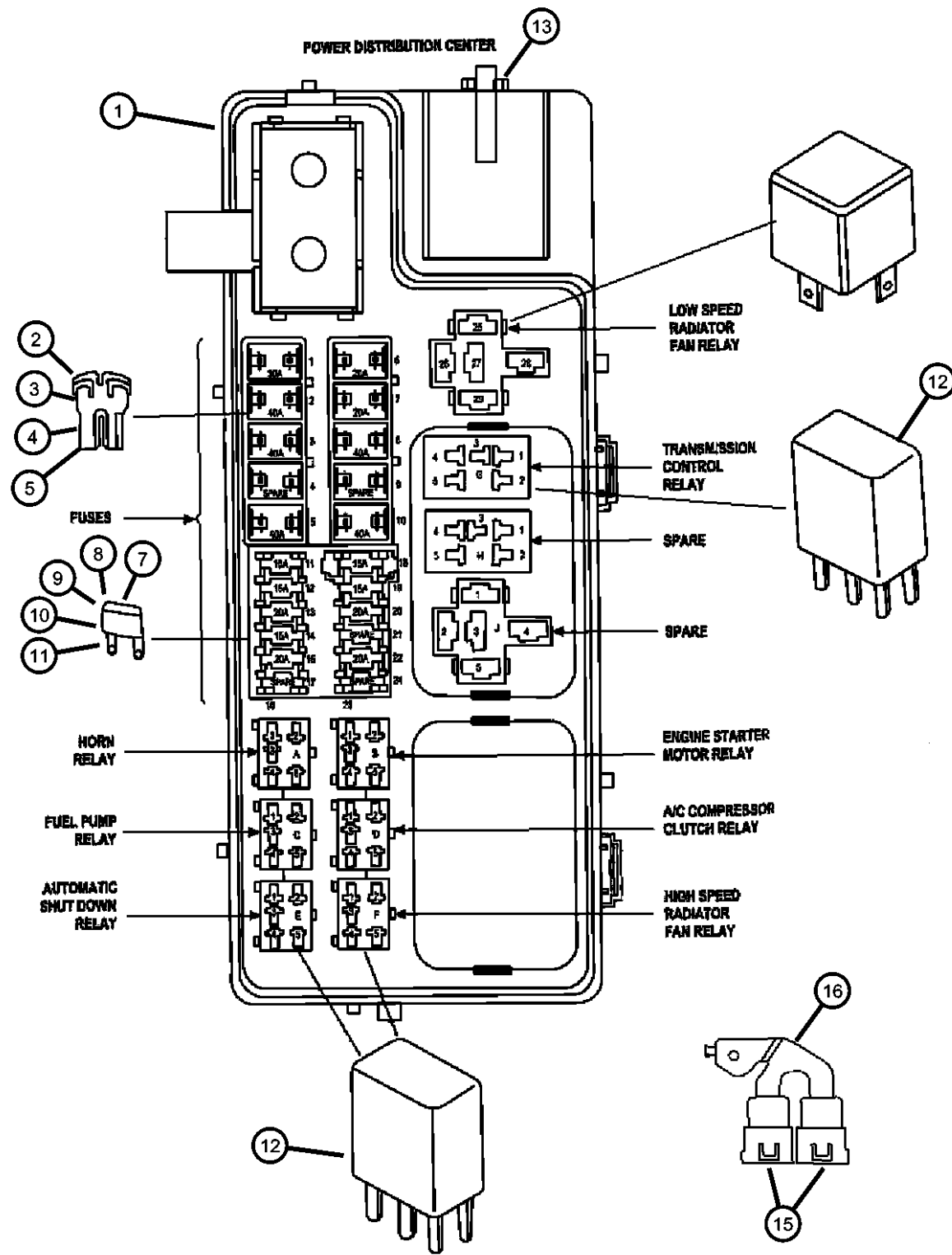
BODY
 27 = 2-DR CONVERTIBLE
 44 = HATCHBACK/QUAD
 CAB CHASSIS LWB

ENGINE
 EDJ = 2.2L 4 Cyl Turbo Diesel Engine
 EDT = 2.4L 4 Cyl DOHC 16V Turbo Engine
 EDV = 2.4L 4 Cyl DOHC 16V HO Turbo Engine
 EDZ = 2.4L 4 Cyl DOHC 16V SMPI Engine
 EJD = 1.6L 4 Cyl SOHC 16V SMPI

TRANSMISSION
 DGL = 4-Speed Automatic Transmission
 DD5 = 5-Speed Manual Transmission
 DDD = 5-Speed HD Manual Transmission

AR = use as required - = Non illustrated part

Relays, Fuses - Power Distribution Center
Figure 8-505



ITEM	PART NUMBER	QTY	LINE	SERIES	BODY	ENGINE	TRANS	TRIM	DESCRIPTION
-14									COVER, Totally Integrated Power Module
	05175568AA	1			27				
		1			44				
15	04692153AA	2							RELAY, Mini, Mounts to bracket
16	04692082AB	1							BRACKET, Relay
-17	56006769AB	1			27				RELAY, Convertible Top
-18									RELAY, High Voltage
	04671886AA	3	C		44	EDJ	DDD		
		3	Z		44	EDJ	DDD		

PT CRUISER (PT)

SERIES LINE
H = HIGHLINE C = CHRYSLER
P = PREMIUM Z = CHRYSLER (RHD)
S = SPORT
X = SPECIAL

BODY
27 = 2-DR CONVERTIBLE
44 = HATCHBACK/QUAD
CAB CHASSIS LWB

ENGINE TRANSMISSION
EDJ = 2.2L 4 Cyl Turbo Diesel DGL = 4-Speed Automatic
Engine Transmission
EDT = 2.4L 4 Cyl DOHC 16V DD5 = 5-Speed Manual Transmission
Turbo Engine DDD = 5-Speed HD Manual
EDV = 2.4L 4 Cyl DOHC 16V Transmission
HO Turbo Engine
EDZ = 2.4L 4 Cyl DOHC 16V
SMPI Engine
EJD = 1.6L 4 Cyl SOHC 16V
SMPI

AR = use ase required - = Non illustrated part

2006 PT

**Totally Integrated Power Module related parts
Figure 8-510**

ITEM	PART NUMBER	QTY	LINE	SERIES	BODY	ENGINE	TRANS	TRIM	DESCRIPTION
1	04692043AB	1							SHIELD, Splash
2	05084047AB	1				EDJ			WIRING, Jumper, TIPM to battery
3	04795980AB	1				EDT, EDV, EDZ, EJD			WIRING, Jumper, TIPM to battery

PT CRUISER (PT)

SERIES	LINE	BODY	ENGINE	TRANSMISSION
H = HIGHLINE	C = CHRYSLER	27 = 2-DR CONVERTIBLE	EDJ = 2.2L 4 Cyl Turbo Diesel Engine	DGL = 4-Speed Automatic Transmission
P = PREMIUM	Z = CHRYSLER (RHD)	44 = HATCHBACK/QUAD CAB CHASSIS LWB	EDT = 2.4L 4 Cyl DOHC 16V Turbo Engine	DD5 = 5-Speed Manual Transmission
S = SPORT			EDV = 2.4L 4 Cyl DOHC 16V HO Turbo Engine	DDD = 5-Speed HD Manual Transmission
X = SPECIAL			EDZ = 2.4L 4 Cyl DOHC 16V SMPI Engine	
			EJD = 1.6L 4 Cyl SOHC 16V SMPI	

AR = use ase required - = Non illustrated part

2006 PT

Sensors, Engine
Figure 8-605

ITEM	PART NUMBER	QTY	LINE	SERIES	BODY	ENGINE	TRANS	TRIM	DESCRIPTION
1	05269870AB	1				EDT, EDV, EDZ			SENSOR, Coolant Temperature
2	05293199AA	1				EDT, EDV, EDZ			CAM MAGNET, Target
-3	06503688	1	C, Z		27, 44	EDT, EDV, EDZ			BOLT, Hex Flange Head, M6x1.00x40
4	05093508AA	1				EDT, EDV, EDZ			SENSOR PACKAGE, Camshaft
-5	06506428AA	2				EDT, EDV, EDZ			SCREW, M6x1x20
6	05080346AA	1				EDJ			SENSOR, Camshaft
	05293161AA	1				EJD			
-7	06501957	1				EJD			SCREW, Cam sensor mounting
8	04884111AA	1				EDT, EDV, EDZ			SEAL, Camshaft Sensor
9	05080348AA	1				EDJ			O RING, Cam sensor
10	56028563AA	1				EDT, EDV, EDZ			SENSOR, Knock
11	04606093AC	1				EJD			SENSOR, Detonation
12	05080352AA	1				EDJ			SENSOR, Crankshaft Position
	05269873AB	1				EDT, EDV, EDZ			
	05293093AA	1				EJD			
-13	06507220AA	1				EDT, EDV, EDZ			SCREW, M6x1x14
14	04608303AB	1				EDT, EDV, EDZ			SWITCH, Oil Pressure
	04707670AB	1				EJD			
	04725579AA	1				EDJ			
15	05033300AA	1				EJD			SENSOR, Oxygen Downstream
	05149027AA	1				EDJ			Downstream

PT CRUISER (PT)

SERIES LINE
H = HIGHLINE C = CHRYSLER
P = PREMIUM Z = CHRYSLER (RHD)
S = SPORT
X = SPECIAL

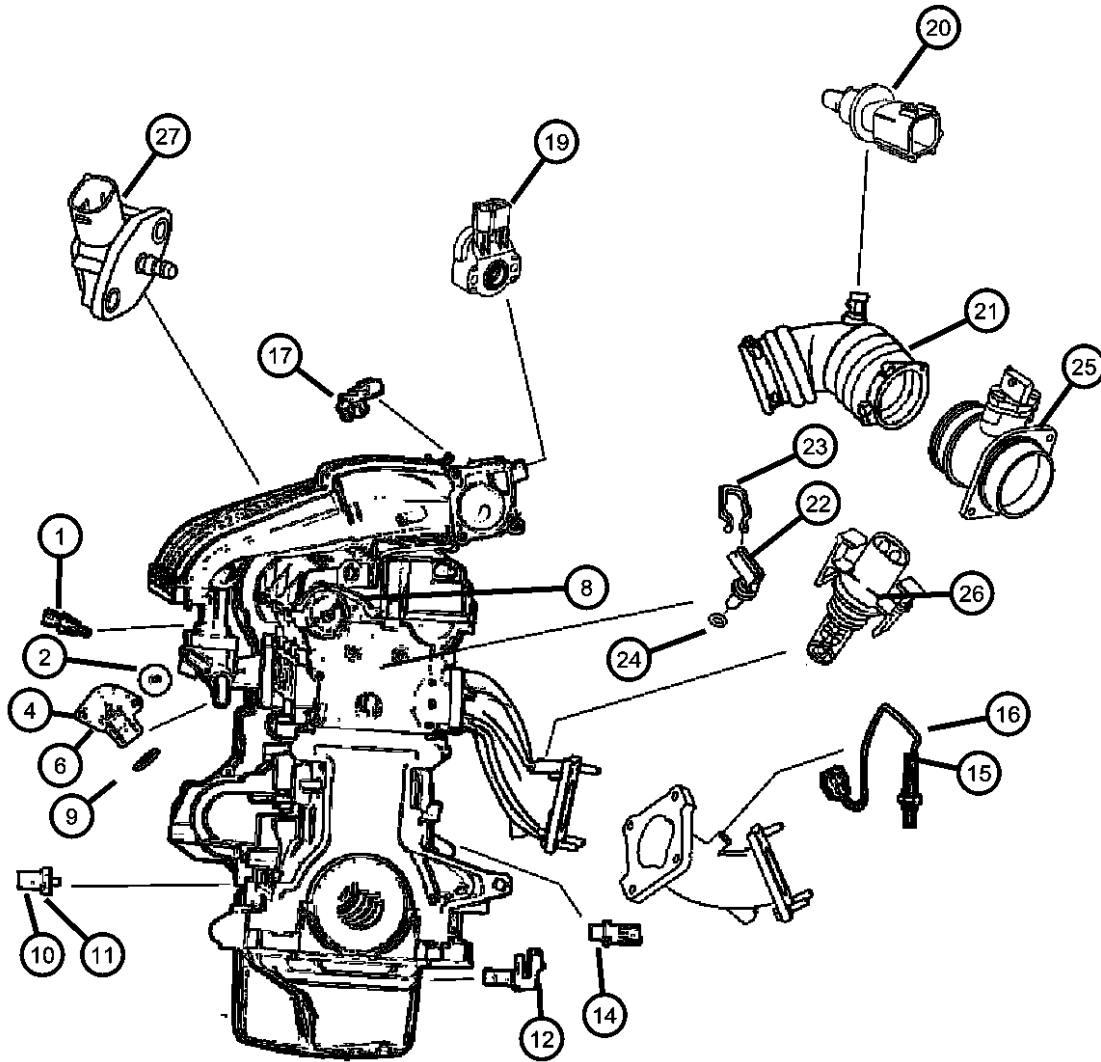
BODY
27 = 2-DR CONVERTIBLE
44 = HATCHBACK/QUAD
CAB CHASSIS LWB

ENGINE
EDJ = 2.2L 4 Cyl Turbo Diesel Engine
EDT = 2.4L 4 Cyl DOHC 16V Turbo Engine
EDV = 2.4L 4 Cyl DOHC 16V HO Turbo Engine
EDZ = 2.4L 4 Cyl DOHC 16V SMPI Engine
EJD = 1.6L 4 Cyl SOHC 16V SMPI

TRANSMISSION
DGL = 4-Speed Automatic Transmission
DD5 = 5-Speed Manual Transmission
DDD = 5-Speed HD Manual Transmission

AR = use ase required - = Non illustrated part

2006 PT



Sensors, Engine
Figure 8-605

ITEM	PART NUMBER	QTY	LINE	SERIES	BODY	ENGINE	TRANS	TRIM	DESCRIPTION
	56029049AA	1				EDT, EDV, EDZ			Downstream
16	56029050AA	1				EDZ			SENSOR, Oxygen
		1				EJD			Upstream
	56029049AA	1				EDT, EDV			Upstream
17									SENSOR, MAP
	04686684AA	1				EJD			
	04896003AB	1	C, Z		27, 44	EDZ			
	05033224AA	1				EDT, EDV			
	05080345AA	1				EDJ			
	05080345AB	1	C, Z		27, 44	EDJ			Up to engine serial number 30029438
	05117545AA	1				EDJ			After engine serial number 30029438
-18									SCREW, Round Head, .164-15x1.00
	06035978AA	2				EJD			MAP sensor mounting
		2				EDZ			MAP sensor mounting
		2				EDT, EDV			MAP sensor mounting
19									SENSOR, Throttle Position
	04606197	1				EDV, EDZ	DD5, DDD		
		1				EDT, EDV, EDZ	DGL		
20									SENSOR, Charge Air Temp
	04606487AB	1				EDZ			
		1				EDT, EDV			
		1				EJD			
21									HOSE, Air Cleaner to T/Body
	04891496AB	1				EJD			
	04891558AA	1				EDZ			
	05080147AA	1				EDJ			SENDING UNIT, Temperature Gauge, Oil temperature
	05080149AA	1				EDJ			CLIP, Oil temperature sending unit

PT CRUISER (PT)

SERIES LINE
H = HIGHLINE C = CHRYSLER
P = PREMIUM Z = CHRYSLER (RHD)
S = SPORT
X = SPECIAL

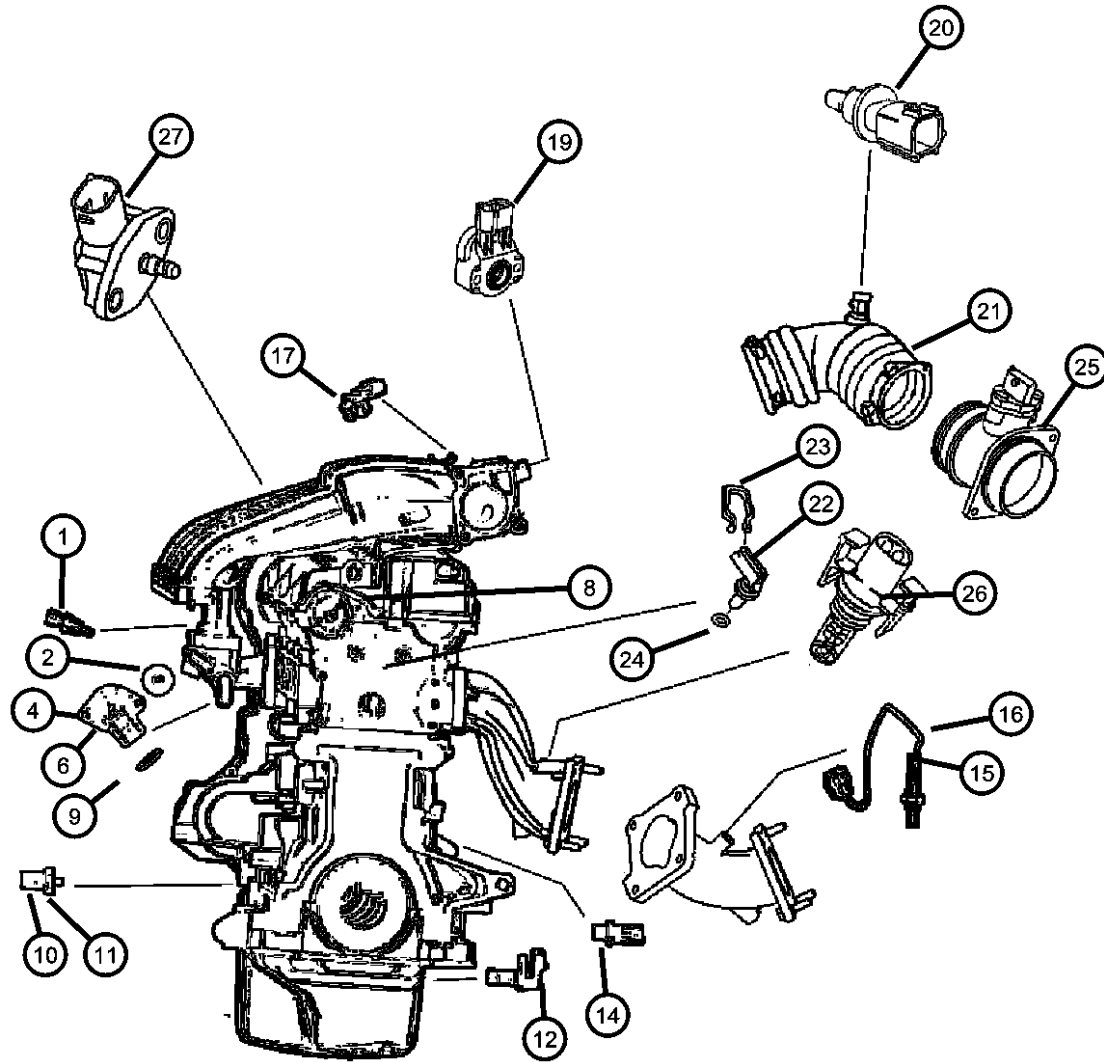
BODY
27 = 2-DR CONVERTIBLE
44 = HATCHBACK/QUAD
CAB CHASSIS LWB

ENGINE
EDJ = 2.2L 4 Cyl Turbo Diesel Engine
EDT = 2.4L 4 Cyl DOHC 16V Turbo Engine
EDV = 2.4L 4 Cyl DOHC 16V HO Turbo Engine
EDZ = 2.4L 4 Cyl DOHC 16V SMPI Engine
EJD = 1.6L 4 Cyl SOHC 16V SMPI

TRANSMISSION
DGL = 4-Speed Automatic Transmission
DD5 = 5-Speed Manual Transmission
DDD = 5-Speed HD Manual Transmission

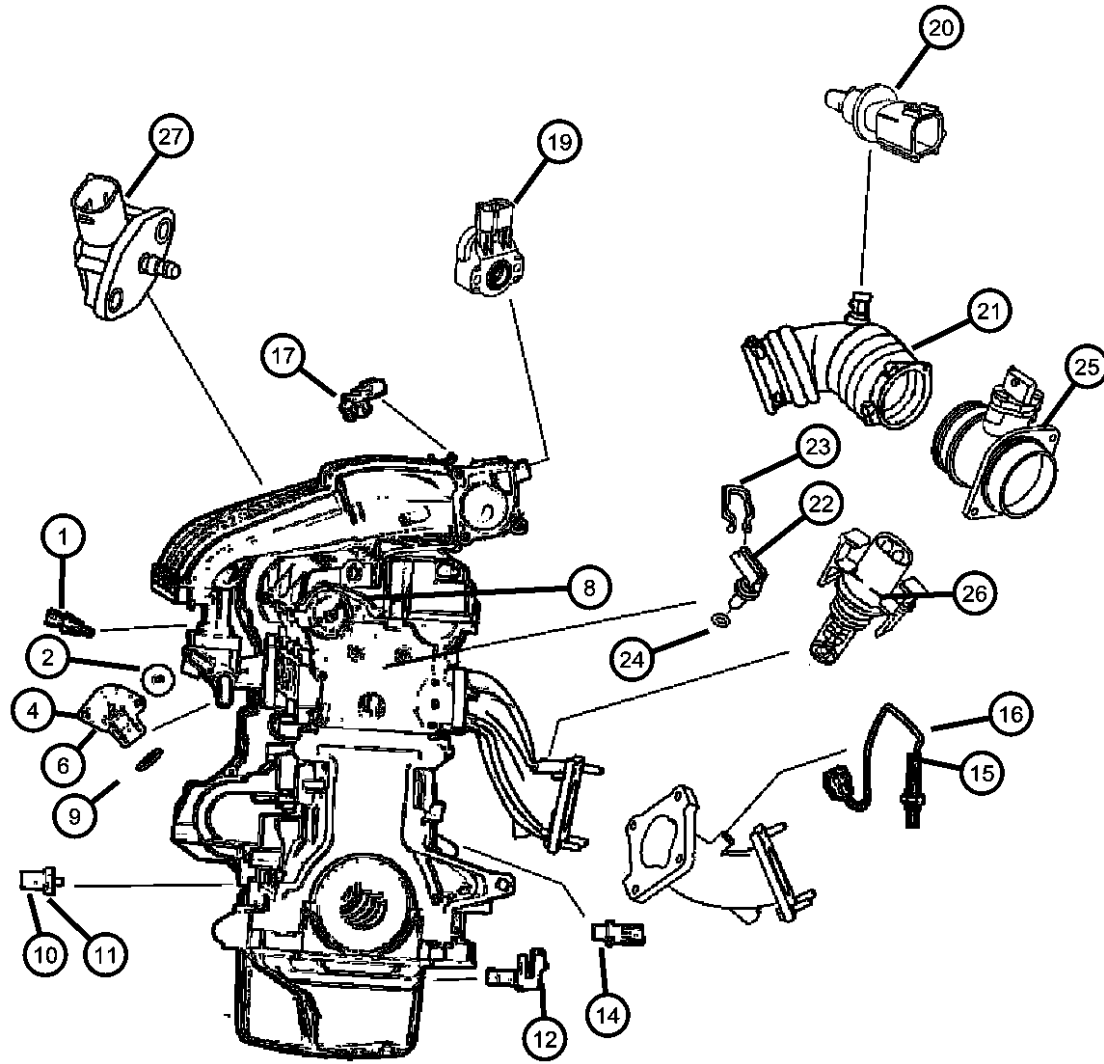
AR = use ase required - = Non illustrated part

2006 PT



Sensors, Engine
Figure 8-605

ITEM	PART NUMBER	QTY	LINE	SERIES	BODY	ENGINE	TRANS	TRIM	DESCRIPTION
24	05080148AA	1				EDJ			O RING
25	05033109AB	1				EDJ			SENSOR, Mass Airflow
26	05080343AA	1				EDJ			SENSOR, Temperature, Intake air temperature
27	56044591AA	1				EDJ			SENSOR, Air Pressure
-28	05033223AB	1				EDT, EDV			SENSOR AND BRACKET, Throttle Inlet Pressure
-29	05103534AB	1	C, Z		27, 44	EDJ			SENDING UNIT, Temperature Gauge, Fuel temperature



PT CRUISER (PT)

SERIES LINE
H = HIGHLINE C = CHRYSLER
P = PREMIUM Z = CHRYSLER (RHD)
S = SPORT
X = SPECIAL

BODY
27 = 2-DR CONVERTIBLE
44 = HATCHBACK/QUAD
CAB CHASSIS LWB

ENGINE
EDJ = 2.2L 4 Cyl Turbo Diesel Engine
EDT = 2.4L 4 Cyl DOHC 16V Turbo Engine
EDV = 2.4L 4 Cyl DOHC 16V HO Turbo Engine
EDZ = 2.4L 4 Cyl DOHC 16V SMPI Engine
EJD = 1.6L 4 Cyl SOHC 16V SMPI

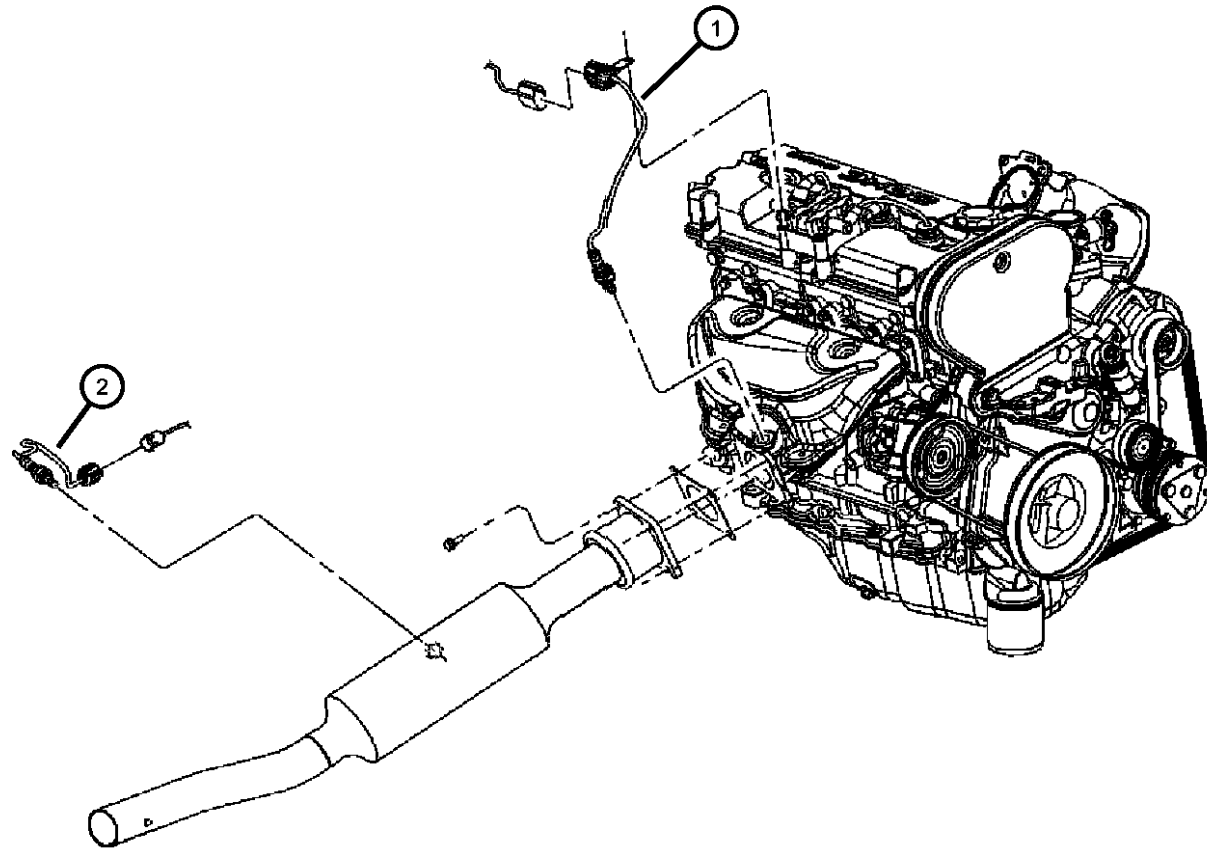
TRANSMISSION
DGL = 4-Speed Automatic Transmission
DD5 = 5-Speed Manual Transmission
DDD = 5-Speed HD Manual Transmission

AR = use ase required - = Non illustrated part

2006 PT

Sensors, Oxygen
Figure 8-610

ITEM	PART NUMBER	QTY	LINE	SERIES	BODY	ENGINE	TRANS	TRIM	DESCRIPTION
1	56029049AA	1				EDT, EDV			SENSOR, Oxygen Before catalyst
	56029050AA	1				EDZ			Before catalyst
		1				EJD			Before catalyst
2	05033300AA	1				EJD			SENSOR, Oxygen After catalyst
	05149027AA	1				EDJ			After catalyst
	56029049AA	1				EDT, EDV, EDZ			After catalyst



PT CRUISER (PT)

SERIES LINE
H = HIGHLINE C = CHRYSLER
P = PREMIUM Z = CHRYSLER (RHD)
S = SPORT
X = SPECIAL

BODY
27 = 2-DR CONVERTIBLE
44 = HATCHBACK/QUAD
CAB CHASSIS LWB

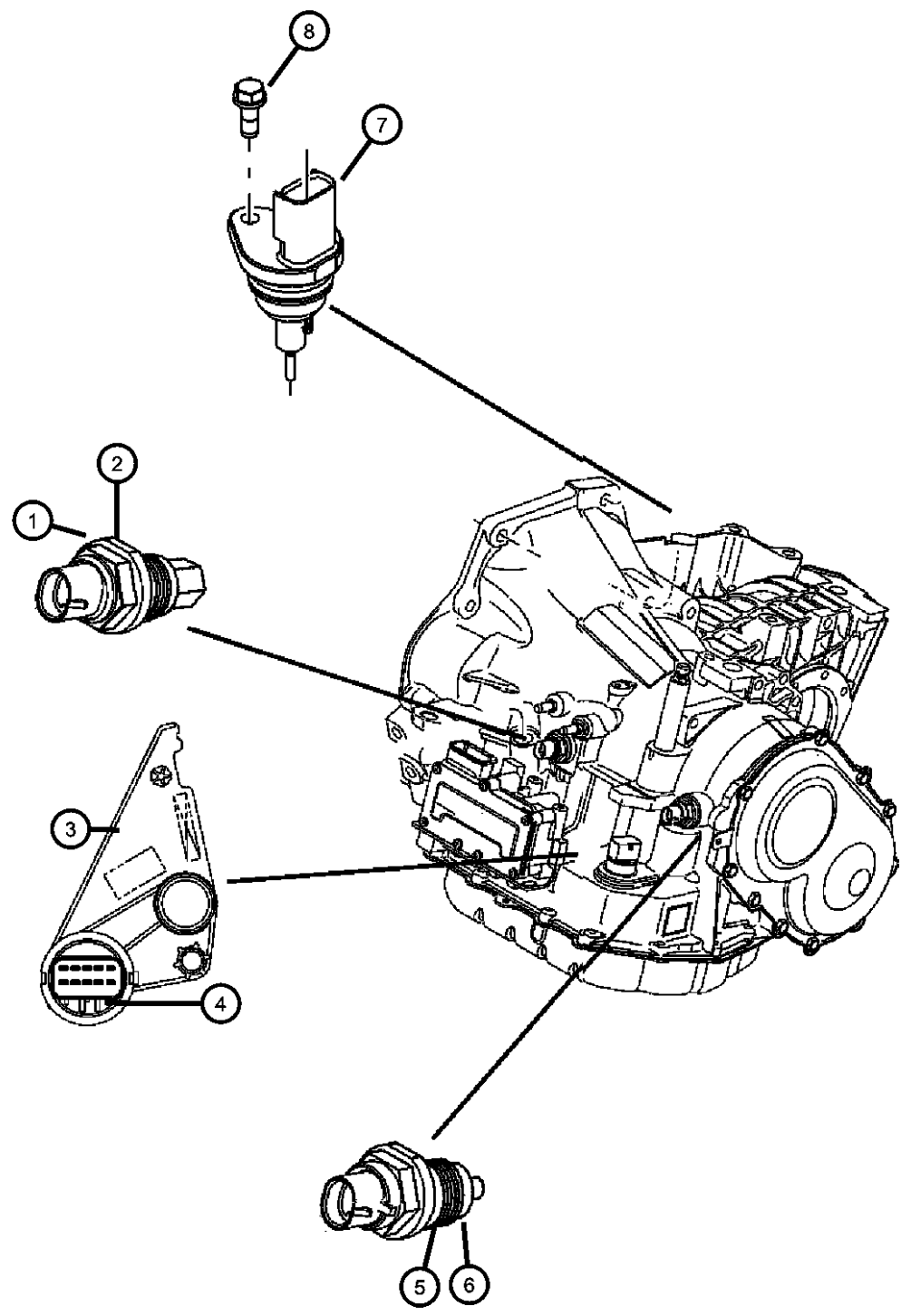
ENGINE
EDJ = 2.2L 4 Cyl Turbo Diesel Engine
EDT = 2.4L 4 Cyl DOHC 16V Turbo Engine
EDV = 2.4L 4 Cyl DOHC 16V HO Turbo Engine
EDZ = 2.4L 4 Cyl DOHC 16V SMPI Engine
EJD = 1.6L 4 Cyl SOHC 16V SMPI

TRANSMISSION
DGL = 4-Speed Automatic Transmission
DD5 = 5-Speed Manual Transmission
DDD = 5-Speed HD Manual Transmission

AR = use ase required - = Non illustrated part

2006 PT

Sensors, Transmission
Figure 8-615



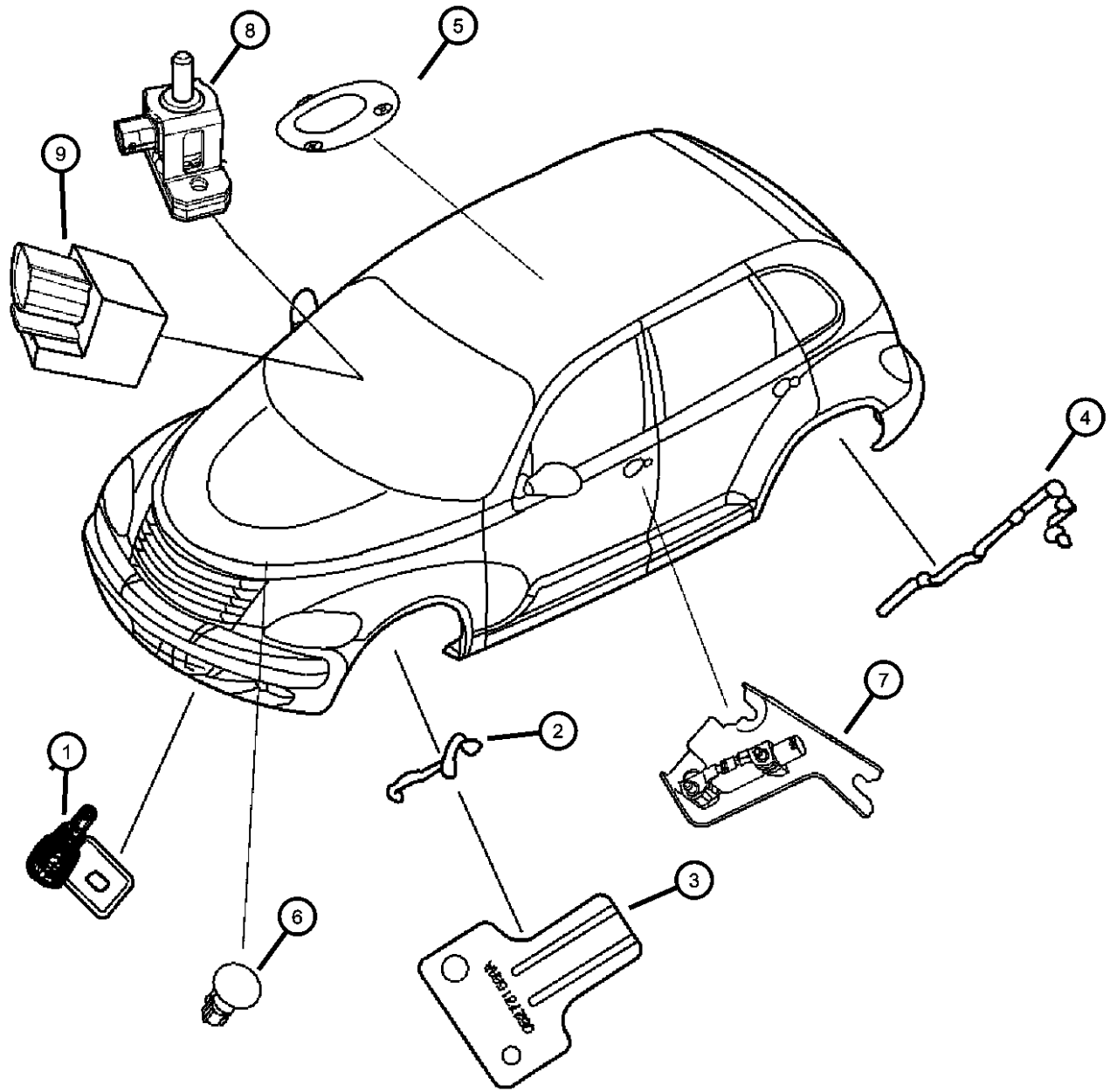
ITEM	PART NUMBER	QTY	LINE	SERIES	BODY	ENGINE	TRANS	TRIM	DESCRIPTION
1									SENSOR, Transmission Input Speed
	04800878	1				EDT, EDV	DGL		
		1				EDZ	DGL		
2									O RING, Trans Speed Sensor
	06501657AB	1				EDT, EDV	DGL		
		1				EDZ	DGL		
3									SENSOR, Transmission Range
	04659676AC	1				EDT, EDV	DGL		
		1				EDZ	DGL		
4									SEAL, Manual Valve Position Sensor
	04659678	1				EDT, EDV	DGL		
		1				EDZ	DGL		
5									SENSOR, Transmission Output Speed
	04800879	1				EDT, EDV	DGL		
		1				EDZ	DGL		
6									O RING, Trans Speed Sensor
	06501658AB	1				EDT, EDV	DGL		
		1				EDZ	DGL		
7	04707839AA	1				EDZ, EJD	DD5		SENSOR, Vehicle Speed
8	06501714	1					DD5		SCREW AND WASHER, Hex Head, M6x1x18

PT CRUISER (PT)

SERIES	LINE	BODY	ENGINE	TRANSMISSION
H = HIGHLINE	C = CHRYSLER	27 = 2-DR CONVERTIBLE	EDJ = 2.2L 4 Cyl Turbo Diesel Engine	DGL = 4-Speed Automatic Transmission
P = PREMIUM	Z = CHRYSLER (RHD)	44 = HATCHBACK/QUAD CAB CHASSIS LWB	EDT = 2.4L 4 Cyl DOHC 16V Turbo Engine	DD5 = 5-Speed Manual Transmission
S = SPORT			EDV = 2.4L 4 Cyl DOHC 16V HO Turbo Engine	DDD = 5-Speed HD Manual Transmission
X = SPECIAL			EDZ = 2.4L 4 Cyl DOHC 16V SMPI Engine	
			EJD = 1.6L 4 Cyl SOHC 16V SMPI	

AR = use ase required - = Non illustrated part

Sensors, Body
Figure 8-620



ITEM	PART NUMBER	QTY	LINE	SERIES	BODY	ENGINE	TRANS	TRIM	DESCRIPTION
1	05293138AA	1				EDT, EDV, EDJ, EDZ EJD			SENSOR, Air Temperature
2	05273332AE	1							SENSOR, Anti-Lock Brakes Right Front
	05273333AE	1							Left Front
3	05273152AA	2	C						SHIELD, Heat
		2	Z						
4	04860038AE	2							SENSOR, Anti-Lock Brakes
5	1BX26DW1AE	1	C, Z		44				SENSOR, Intrusion Module
6	05293138AA	1			44	EDJ			SENSOR, Air Temperature, Battery temp
7	04671779AC	2			44				SENSOR, Side Airbag Impact
	04686957AC	2			27				
8	04606947AH	4	C		44				SENSOR, Strain Gauge
		4	C		27				
9	05084008AA	2	C		44				SENSOR, Seat Position
		2	C		27				

PT CRUISER (PT)

SERIES LINE
H = HIGHLINE C = CHRYSLER
P = PREMIUM Z = CHRYSLER (RHD)
S = SPORT
X = SPECIAL

BODY
27 = 2-DR CONVERTIBLE
44 = HATCHBACK/QUAD
CAB CHASSIS LWB

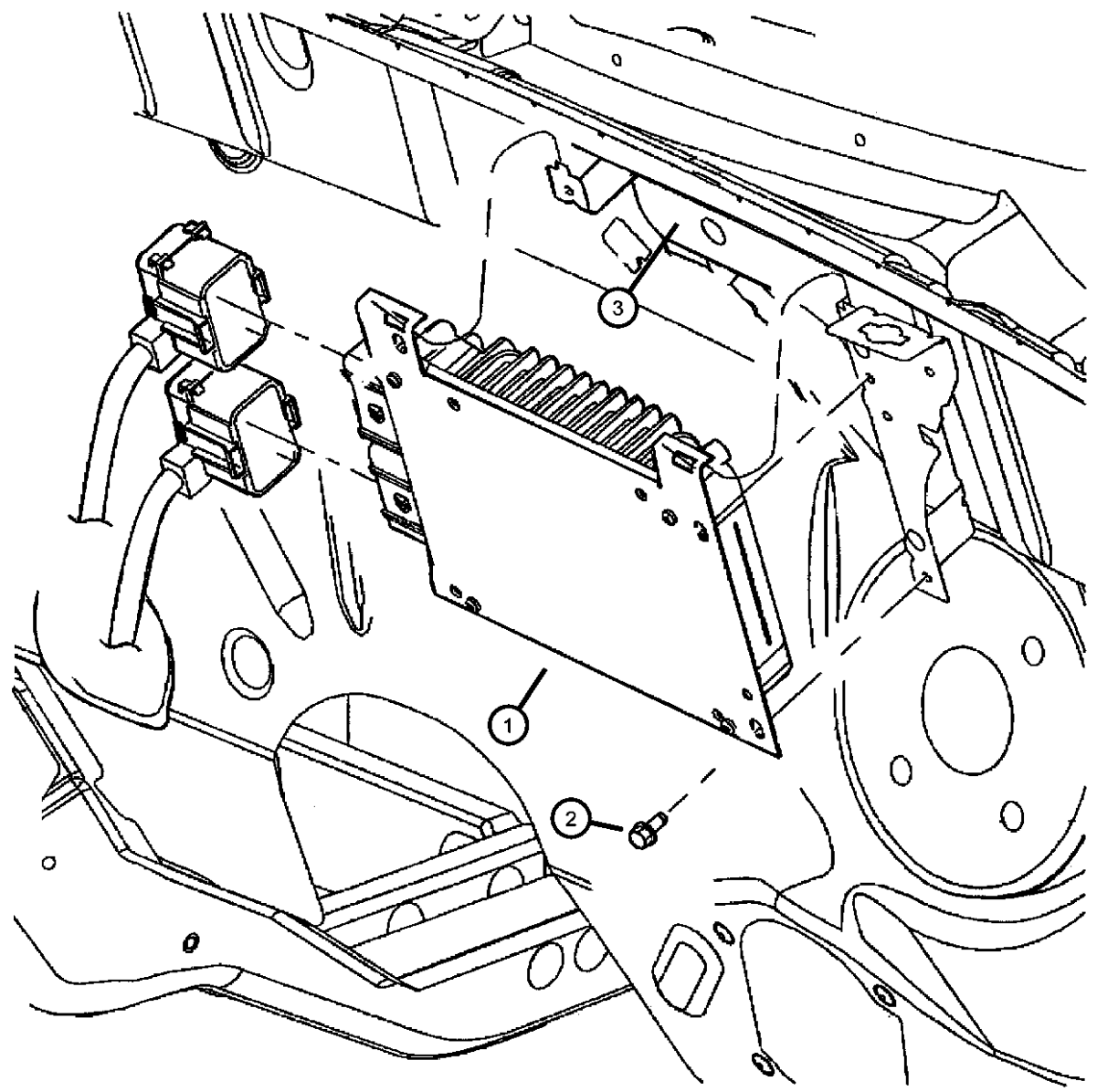
ENGINE
EDJ = 2.2L 4 Cyl Turbo Diesel Engine
EDT = 2.4L 4 Cyl DOHC 16V Turbo Engine
EDV = 2.4L 4 Cyl DOHC 16V HO Turbo Engine
EDZ = 2.4L 4 Cyl DOHC 16V SMPI Engine
EJD = 1.6L 4 Cyl SOHC 16V SMPI

TRANSMISSION
DGL = 4-Speed Automatic Transmission
DD5 = 5-Speed Manual Transmission
DDD = 5-Speed HD Manual Transmission

AR = use ase required - = Non illustrated part

2006 PT

**Powertrain Control Modules
Figure 8-705**



ITEM	PART NUMBER	QTY	LINE	SERIES	BODY	ENGINE	TRANS	TRIM	DESCRIPTION
1									MODULE, Powertrain Control, Generic Export
	05033174AA	1				EJD			
	05033439AB	1			44	EDZ	DD5		
		1			27	EDZ	DD5		
		1			44	EDV	DDD		
		1			27	EDV	DDD		
	05033441AB	1				EDT, EDV	DGL		
		1			44	EDV	DGL		
		1			27	EDV	DGL		
		1			44	EDT	DGL		
		1			27	EDT	DGL		
	05034440AB	1			44	EDZ	DGL		
		1			27	EDZ	DGL		
2									MODULE, Engine Controller
	05034093AC	1				EJD	DD5		
	05034094AD	1				EDJ	DDD		
3									SCREW, Tapping Hex Flange Head, M6.3 x 1.81 x 19.00
	06505900AA	3				EJD			Module mounting
		1				EDJ			Module mounting
4									BRACKET, Engine Control Module
	05033077AB	1				EDT, EDV, EDZ			
	05033113AE	1				EDJ			
	05033121AC	1				EJD			Export

PT CRUISER (PT)

SERIES LINE
H = HIGHLINE C = CHRYSLER
P = PREMIUM Z = CHRYSLER (RHD)
S = SPORT
X = SPECIAL

BODY
27 = 2-DR CONVERTIBLE
44 = HATCHBACK/QUAD CAB CHASSIS LWB

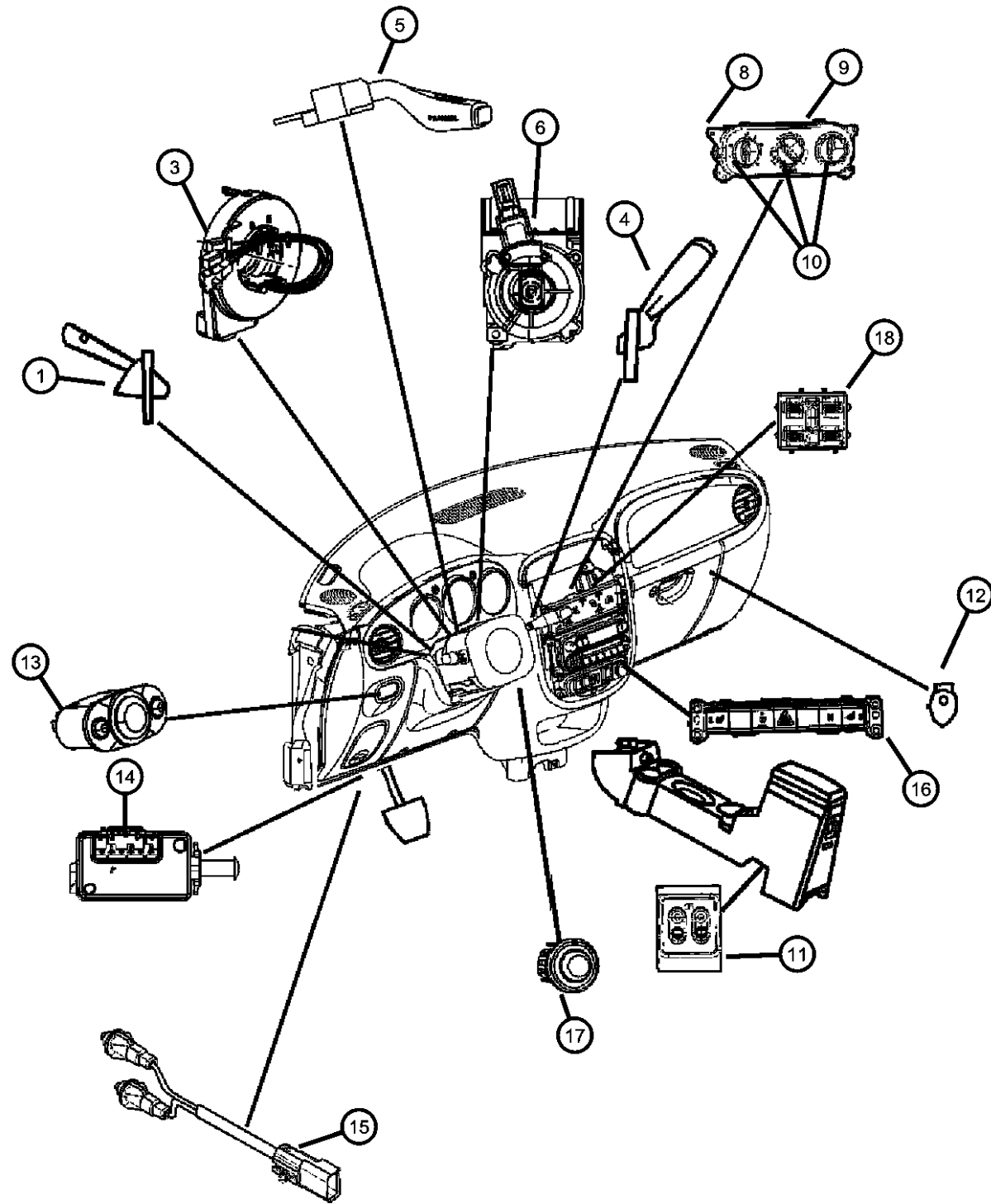
ENGINE
EDJ = 2.2L 4 Cyl Turbo Diesel Engine
EDT = 2.4L 4 Cyl DOHC 16V Turbo Engine
EDV = 2.4L 4 Cyl DOHC 16V HO Turbo Engine
EDZ = 2.4L 4 Cyl DOHC 16V SMPI Engine
EJD = 1.6L 4 Cyl SOHC 16V SMPI

TRANSMISSION
DGL = 4-Speed Automatic Transmission
DD5 = 5-Speed Manual Transmission
DDD = 5-Speed HD Manual Transmission

AR = use ase required - = Non illustrated part

2006 PT

Switches, Instrument Panel
Figure 8-805



ITEM	PART NUMBER	QTY	LINE	SERIES	BODY	ENGINE	TRANS	TRIM	DESCRIPTION
1	05175889AA	1			44				SWITCH, Multifunction [JHA,JHB,LNJ,LPG] After 10/31/05, Export
	05183947AA	1			44				[JHA,JHB,LNJ] After 10/31/05,
		1			27				[JHA,LNJ] After 10/31/05
		1			27				[JHA,LNJ,LPG] Up to 10/31/05
		1			44				[JHA,JHB,LNJ,LPG] Up to 10/31/05
	05175891AA	1			44				[JHA,JHB,LNJ] Up to 10/31/05
		1			27				[JHA,LNJ] Up to 10/31/05
	05175893AA	1			27				[JHA,LPG] Up to 10/31/05
		1			44				[JHA,JHB,LPG] Up to 10/31/05
	05183946AA	1			27				[JHA,LNJ,LPG] After 10/31/05
		1			44				[JHA,JHB,LNJ,LPG]
	05183950AA	1			27				[JHA,LPG] After 10/31/05
		1			44				[JHA,JHB,LPG] After 10/31/05
	05183952AA	1			44				[JHA,JHB]
		1			27				[JHA]
-2									WIRING, Jumper
	05189814AA	1			44				Multifunction switch
		1			27				Multifunction switch
3									CLOCKSPRING
	05175900AA	1			44				Up to 01/10/06
		1			27				Up to 01/10/06
	05183959AA	1			44				After 01/10/06
		1			27				After 01/10/06
4									SWITCH, Wiper
	05175897AA	1			27				Up to 10/31/05
	05183956AA	1	C, Z		44				[JHA,JHB,LPG]
	05183955AA	1			27				[JHA] After 10/31/05
	05183957AA	1			44				[JHA,JHB,LNJ]
5									SWITCH, Speed Control
	04671929AB	1	C, Z		27				

PT CRUISER (PT)

SERIES LINE
H = HIGHLINE C = CHRYSLER
P = PREMIUM Z = CHRYSLER (RHD)
S = SPORT
X = SPECIAL

BODY
27 = 2-DR CONVERTIBLE
44 = HATCHBACK/QUAD
CAB CHASSIS LWB

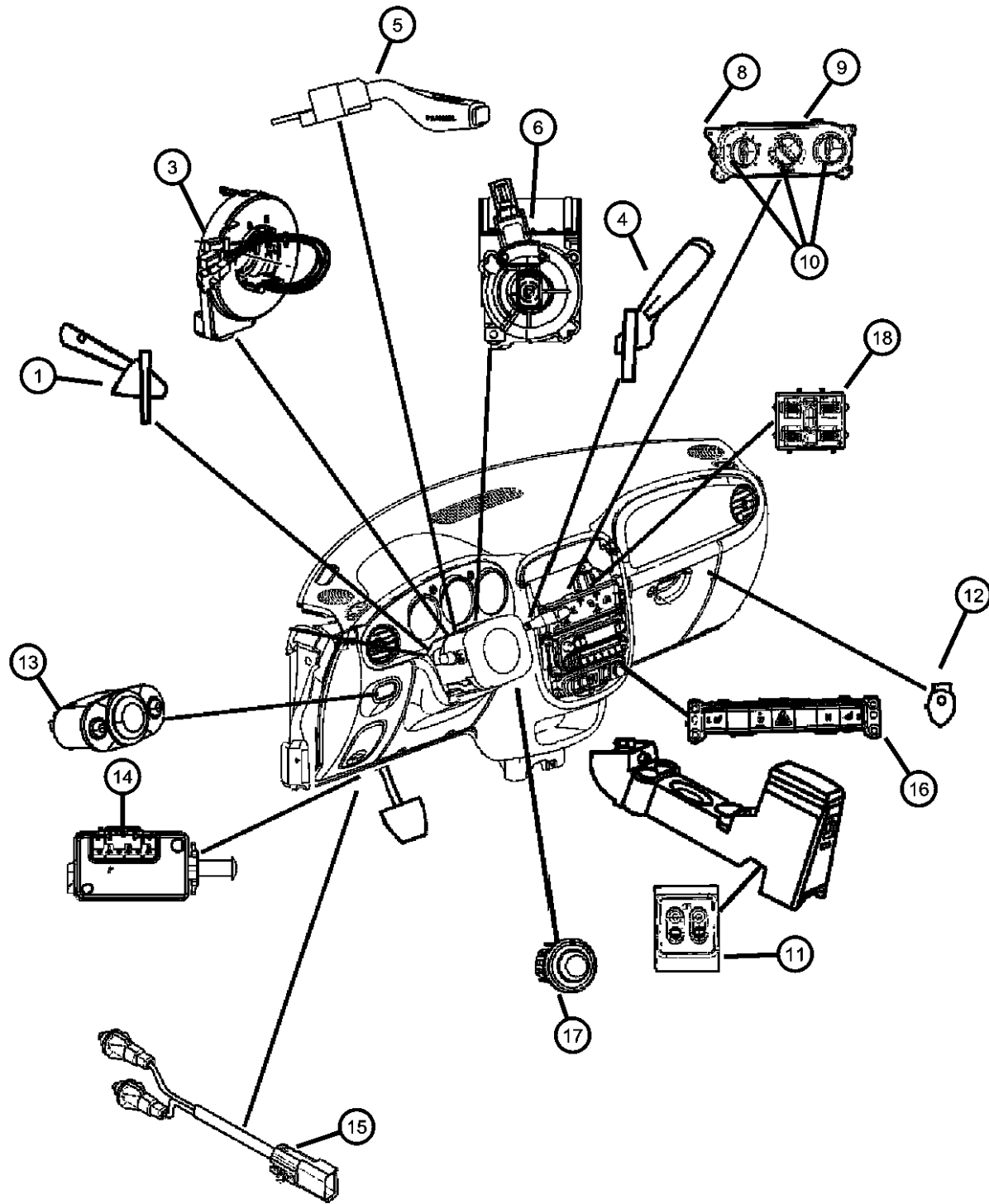
ENGINE
EDJ = 2.2L 4 Cyl Turbo Diesel Engine
EDT = 2.4L 4 Cyl DOHC 16V Turbo Engine
EDV = 2.4L 4 Cyl DOHC 16V HO Turbo Engine
EDZ = 2.4L 4 Cyl DOHC 16V SMPI Engine
EJD = 1.6L 4 Cyl SOHC 16V SMPI

TRANSMISSION
DGL = 4-Speed Automatic Transmission
DD5 = 5-Speed Manual Transmission
DDD = 5-Speed HD Manual Transmission

AR = use ase required - = Non illustrated part

2006 PT

Switches, Instrument Panel
Figure 8-805



ITEM	PART NUMBER	QTY	LINE	SERIES	BODY	ENGINE	TRANS	TRIM	DESCRIPTION
6		1	C, Z		44				SWITCH, Ignition
	04685719AD	1	C						
-7		1	Z						SCREW, Pan Head Tapping, .125-40x.437
	06035021	1	C						Ignition switch attaching
		1	Z						Ignition switch attaching
8	55111844AD	1							CONTROL, A/C And Heater
9	55111845AD	1							CONTROL, Heater
10		1							KNOB, A/C or Heater Control - Rotary
	05179430AA	3							[HCD]
		3							[HAA]
11		1			44				SWITCH AND BEZEL, Power Window
	0UG381DAAD	1			44				[DA]
	0UG381KAAD	1			44				[KA]
12	0UG381KAAD	1							SWITCH AND LAMP, Glove Box, (NOT SERVICED), SWITCH, Mirror
13		1	Z		44				
	56040536AF	1							Mopar Alternative Switch
	V7700008AA								
	56040524AF	1							Mopar Alternative Switch
	V7700007AA								
14	05083344AA	1							SWITCH PACKAGE, Stop Lamp
15		1	C			EJD	DD5		SWITCH, Clutch Starter Interlock
	04671756AC	1	C			EDJ	DDD		
		1	C			EDZ	DD5		
	05033231AA	1	C			EDZ, EJD	DD5		[XAR]
		1	C			EDJ, EDV	DDD		[XAR]
16		1							SWITCH, Pod

PT CRUISER (PT)

SERIES LINE
H = HIGHLINE C = CHRYSLER
P = PREMIUM Z = CHRYSLER (RHD)
S = SPORT
X = SPECIAL

BODY
27 = 2-DR CONVERTIBLE
44 = HATCHBACK/QUAD CAB CHASSIS LWB

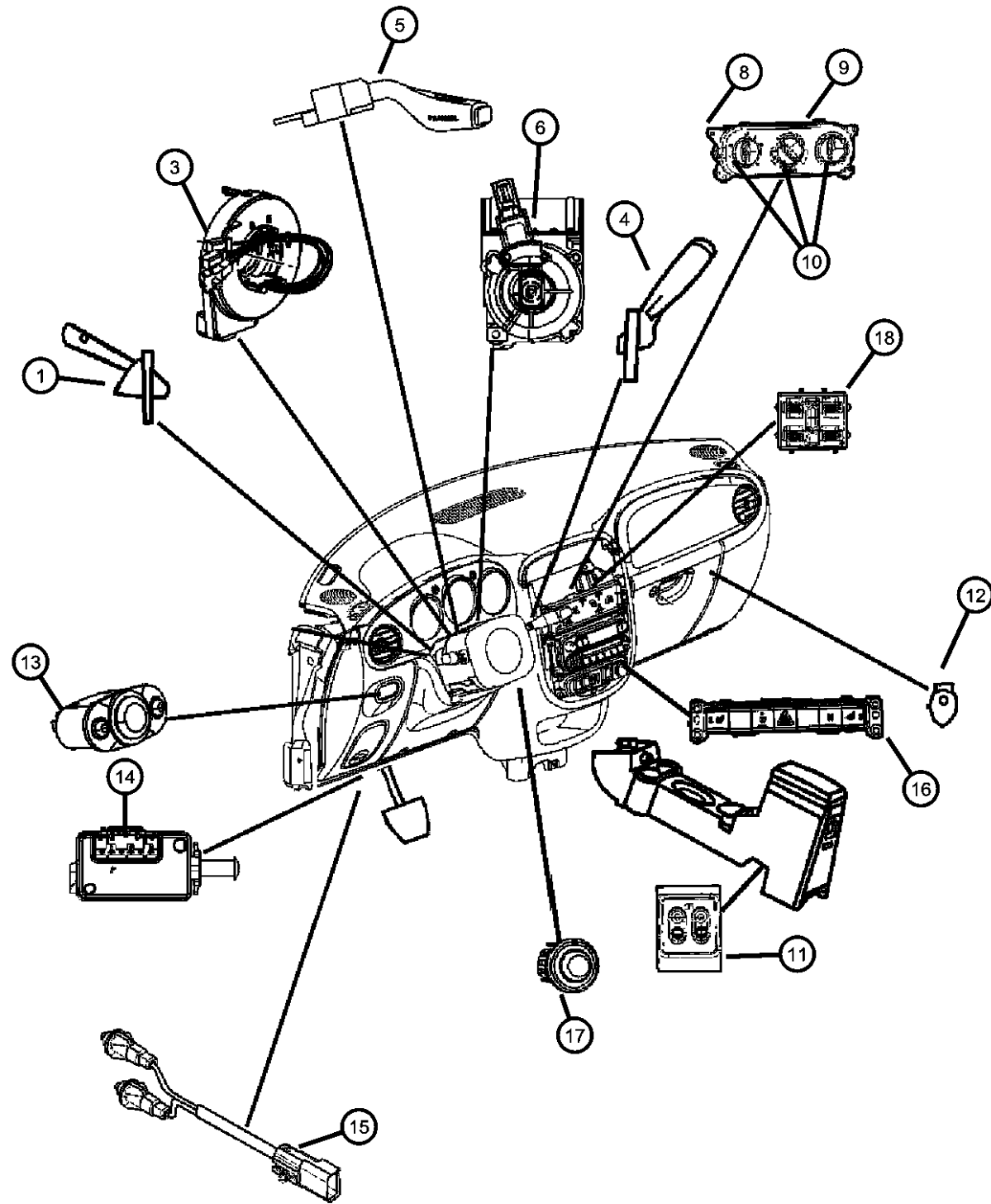
ENGINE
EDJ = 2.2L 4 Cyl Turbo Diesel Engine
EDT = 2.4L 4 Cyl DOHC 16V Turbo Engine
EDV = 2.4L 4 Cyl DOHC 16V HO Turbo Engine
EDZ = 2.4L 4 Cyl DOHC 16V SMPI Engine
EJD = 1.6L 4 Cyl SOHC 16V SMPI

TRANSMISSION
DGL = 4-Speed Automatic Transmission
DD5 = 5-Speed Manual Transmission
DDD = 5-Speed HD Manual Transmission

AR = use ase required - = Non illustrated part

2006 PT

Switches, Instrument Panel
Figure 8-805



ITEM	PART NUMBER	QTY	LINE	SERIES	BODY	ENGINE	TRANS	TRIM	DESCRIPTION
	04602653AC	1			44				[XCA]
	04602654AC	1			44				[XCA,BNM]
	04602655AC	1			44				[XCA,CMA]
	04602656AC	1			44				[XCA,BNM,CMA]
	04602657AC	1			27				[XCA]
	04602658AC	1			27				[XCA,BNM]
	04602659AC	1			27				[XCA,CMA]
	04602660AC	1			27				[XCA,BNM,CMA]
	04602661AC	1			44				[JKL]
	04602662AC	1			44				[JKL,BNM]
	04602663AC	1			44				[JKL,CMA]
	04602664AC	1			44				[JKL,CMA,BNM]
	04602665AC	1			44				
	04602666AC	1			44				[BNM]
	04602667AC	1			44				[CMA]
	04602668AC	1			44				[CMA,BNM]
	04602669AC	1			27				[JKL,CMA,BNM]
17	04760847AC	1							SWITCH, Deck Lid Release
18									SWITCH, 5 Gang
	04602698AB	1			44				Window
	04602701AB	1			27				Window
-19									SWITCH PACKAGE, Horn
	05183670AA	1							[NHM]
	05183669AA	1							

PT CRUISER (PT)

SERIES LINE
H = HIGHLINE C = CHRYSLER
P = PREMIUM Z = CHRYSLER (RHD)
S = SPORT
X = SPECIAL

BODY
27 = 2-DR CONVERTIBLE
44 = HATCHBACK/QUAD
CAB CHASSIS LWB

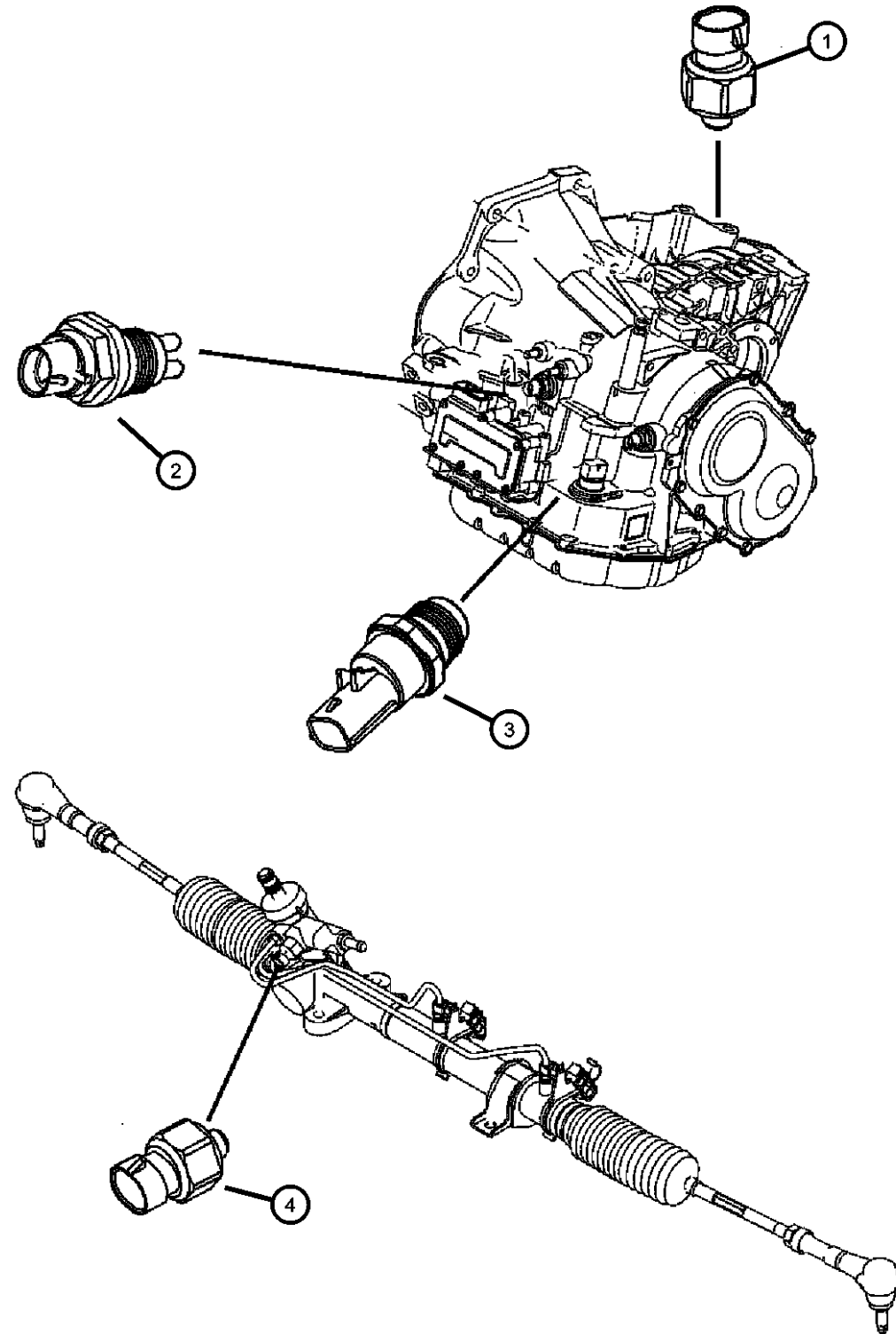
ENGINE
EDJ = 2.2L 4 Cyl Turbo Diesel Engine
EDT = 2.4L 4 Cyl DOHC 16V Turbo Engine
EDV = 2.4L 4 Cyl DOHC 16V HO Turbo Engine
EDZ = 2.4L 4 Cyl DOHC 16V SMPI Engine
EJD = 1.6L 4 Cyl SOHC 16V SMPI

TRANSMISSION
DGL = 4-Speed Automatic Transmission
DD5 = 5-Speed Manual Transmission
DDD = 5-Speed HD Manual Transmission

AR = use ase required - = Non illustrated part

2006 PT

Switches, Powertrain
Figure 8-810



ITEM	PART NUMBER	QTY	LINE	SERIES	BODY	ENGINE	TRANS	TRIM	DESCRIPTION
1	05014574AA	1				EJD			SWITCH, A/C High Pressure Cut Off
		1				EDT, EDV	DGL		
		1				EDT, EDV	DD5, DDD		
		1				EDZ			
2	04864775	1				EDZ	DD5		SWITCH, Back Up Lamp
		1				EJD	DD5		
	05083756AA	1				EDV	DDD		
		1				EDJ	DDD		
3	04608303AB	1				EDT, EDV, EDZ			SWITCH, Oil Pressure
	04707670AB	1				EJD			
	04725579AA	1				EDJ			
4	05269625	1	C				DD5		SWITCH, Power Steering
		1	C				DGL		
		1	Z		44	EDZ	DD5		
		1	C			EDV	DDD		
		1	C			EDT			
		1	Z		44	EDZ	DGL		
		1	Z			EDZ	DD5		

PT CRUISER (PT)

SERIES LINE
H = HIGHLINE C = CHRYSLER
P = PREMIUM Z = CHRYSLER (RHD)
S = SPORT
X = SPECIAL

BODY
27 = 2-DR CONVERTIBLE
44 = HATCHBACK/QUAD CAB CHASSIS LWB

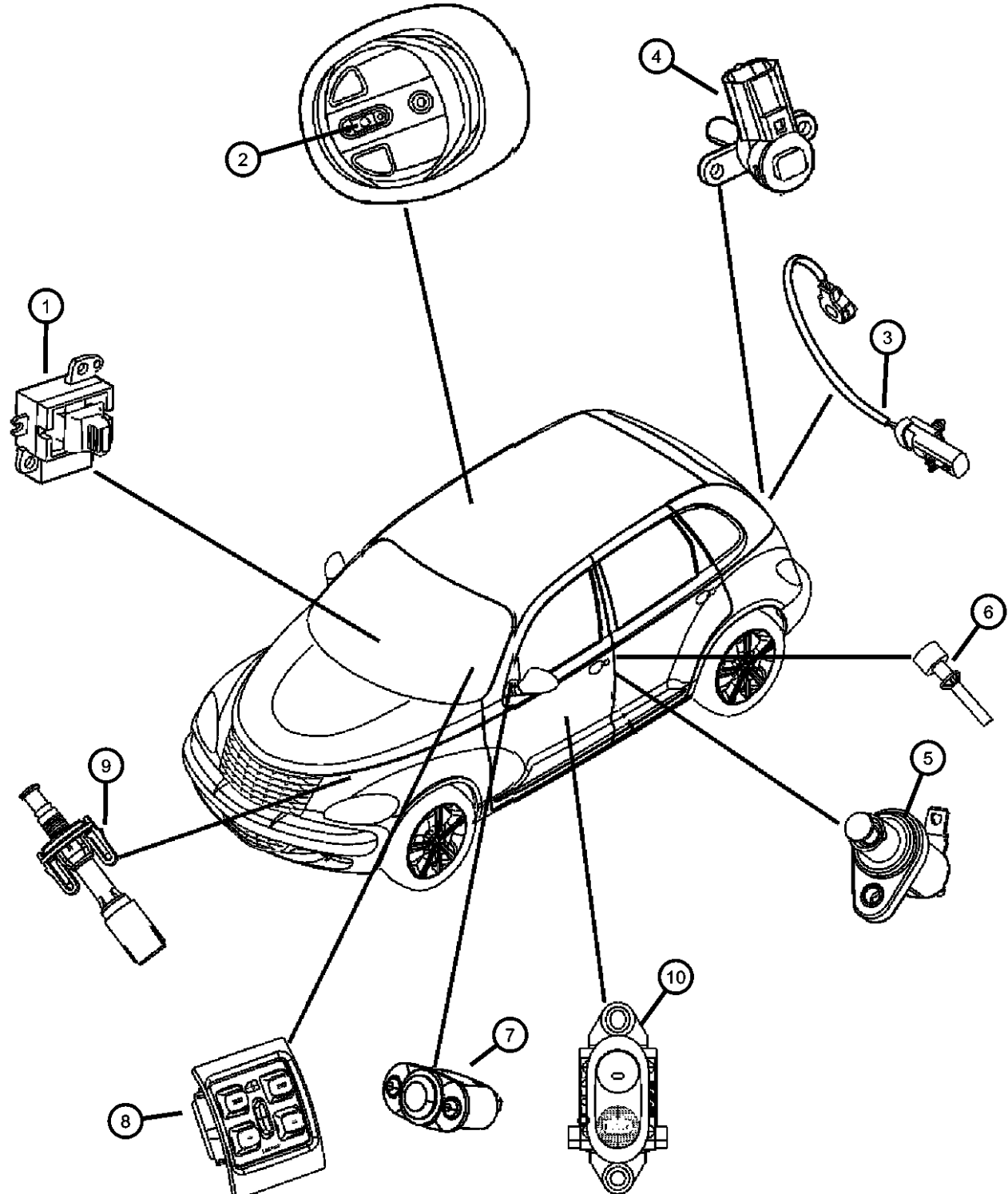
ENGINE
EDJ = 2.2L 4 Cyl Turbo Diesel Engine
EDT = 2.4L 4 Cyl DOHC 16V Turbo Engine
EDV = 2.4L 4 Cyl DOHC 16V HO Turbo Engine
EDZ = 2.4L 4 Cyl DOHC 16V SMPI Engine
EJD = 1.6L 4 Cyl SOHC 16V SMPI

TRANSMISSION
DGL = 4-Speed Automatic Transmission
DD5 = 5-Speed Manual Transmission
DDD = 5-Speed HD Manual Transmission

AR = use ase required - = Non illustrated part

2006 PT

Switches, Body
Figure 8-815



ITEM	PART NUMBER	QTY	LINE	SERIES	BODY	ENGINE	TRANS	TRIM	DESCRIPTION
1	04671623AA	1			44				SWITCH, Door Lock
		1			27				
2	04602688AA	1			44				SWITCH, Sunroof
3	04671966AA	1	C		44				SWITCH, Liftgate
		1	Z						
		1	C		27				
4		1							SWITCH, Liftgate, Serviced in latch assembly, (NOT SERVICED)
5	04671264	2			44				SWITCH, Door Ajar
6	04615952	2			44				BUMPER, Door Ajar Switch
7	04602697AA	1	C		44				SWITCH, Seat
		1	Z		44	EAG			
		1	Z		44	EAD			
		1	C		27				
		1	Z		27				
8									SWITCH, 5 Gang
	04602698AC	1			44				
	04602701AB	1			27				
9	04707875AB	1							SWITCH, Underhood
10	56040524AF	1							SWITCH, Mirror
	V7700007AA								Mopar Alternative Switch
11									KNOB, Power Seat Switch
	04602699AA	1	C		27				
		1	C		44				
		1	Z		44	EAG			
		1	Z		44	EAD			
-12									SWITCH AND BEZEL, Power Window
	0UG381DAAD	1	C, Z		44				[DA], Console, Rear
	0UG381KAAD	1	C, Z		44				[KA], Console, Rear

PT CRUISER (PT)

SERIES LINE
H = HIGHLINE C = CHRYSLER
P = PREMIUM Z = CHRYSLER (RHD)
S = SPORT
X = SPECIAL

BODY
27 = 2-DR CONVERTIBLE
44 = HATCHBACK/QUAD
CAB CHASSIS LWB

ENGINE
EDJ = 2.2L 4 Cyl Turbo Diesel Engine
EDT = 2.4L 4 Cyl DOHC 16V Turbo Engine
EDV = 2.4L 4 Cyl DOHC 16V HO Turbo Engine
EDZ = 2.4L 4 Cyl DOHC 16V SMPI Engine
EJD = 1.6L 4 Cyl SOHC 16V SMPI

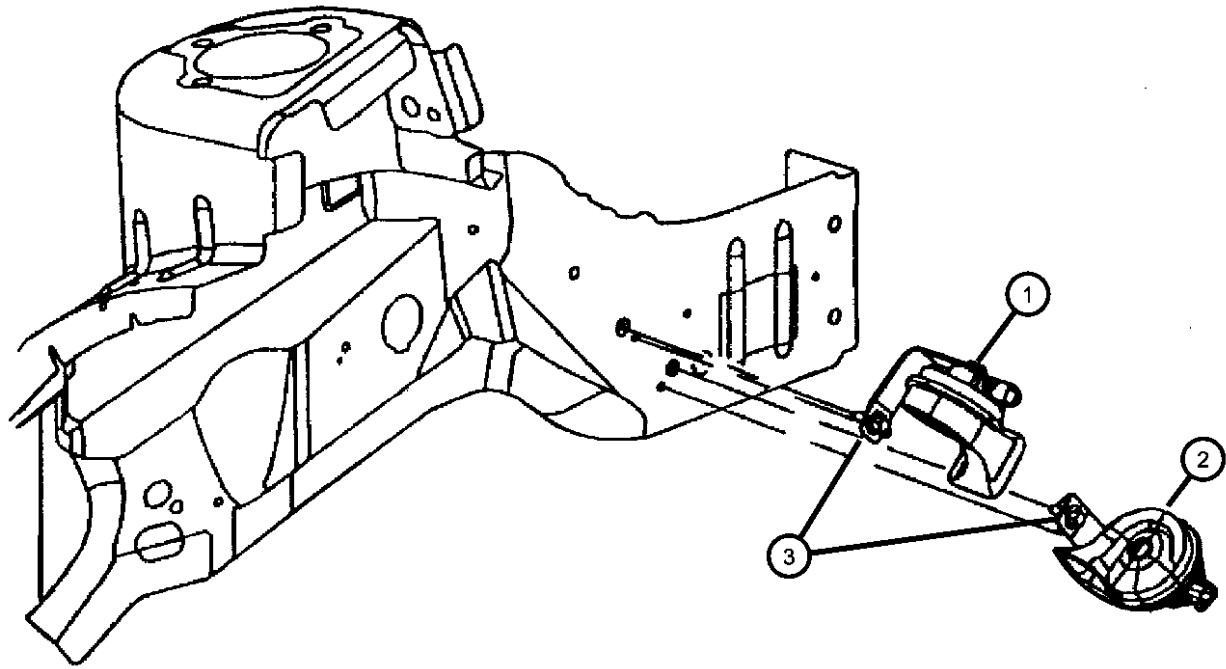
TRANSMISSION
DGL = 4-Speed Automatic Transmission
DD5 = 5-Speed Manual Transmission
DDD = 5-Speed HD Manual Transmission

AR = use ase required - = Non illustrated part

2006 PT

**Horns
Figure 8-905**

ITEM	PART NUMBER	QTY	LINE	SERIES	BODY	ENGINE	TRANS	TRIM	DESCRIPTION
1	05107071AA	1							HORN AND BRACKET, Low Note
2	05107072AB	1							HORN AND BRACKET, High Note
3	06506150AA	1							SCREW, Hex Head, M6x1x20, Horn mounting



PT CRUISER (PT)

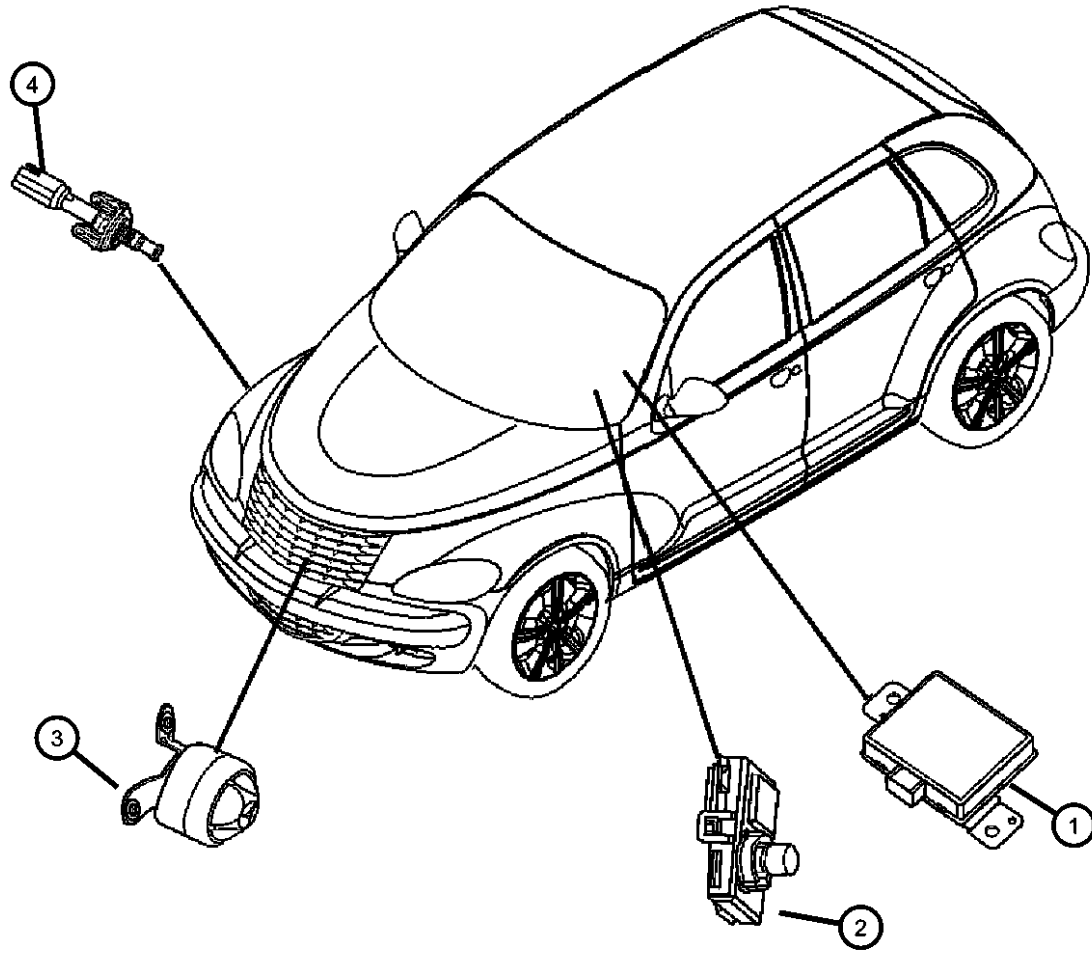
SERIES	LINE	BODY	ENGINE	TRANSMISSION
H = HIGHLINE	C = CHRYSLER	27 = 2-DR CONVERTIBLE	EDJ = 2.2L 4 Cyl Turbo Diesel Engine	DGL = 4-Speed Automatic Transmission
P = PREMIUM	Z = CHRYSLER (RHD)	44 = HATCHBACK/QUAD CAB CHASSIS LWB	EDT = 2.4L 4 Cyl DOHC 16V Turbo Engine	DD5 = 5-Speed Manual Transmission
S = SPORT			EDV = 2.4L 4 Cyl DOHC 16V HO Turbo Engine	DDD = 5-Speed HD Manual Transmission
X = SPECIAL			EDZ = 2.4L 4 Cyl DOHC 16V SMPI Engine	
			EJD = 1.6L 4 Cyl SOHC 16V SMPI	

AR = use ase required - = Non illustrated part

2006 PT

**Alarm Systems
Figure 8-910**

ITEM	PART NUMBER	QTY	LINE	SERIES	BODY	ENGINE	TRANS	TRIM	DESCRIPTION
1	04692053AA	1	Z		27				MODULE, Alarm Up to 11/07/05
	04692053AB	1	Z		27				After 11/07/05
	56038728AC	1							Up to 07/25/05
	56038728AH	1	C		27				After 07/25/05
	05026120AA	1			27				RECEIVER, Alarm
3	04692047AB	1							SIREN, Alarm After 06/08/05
	56038724AB	1							Up to 06/08/05
	04707875AB	1							SWITCH, Underhood



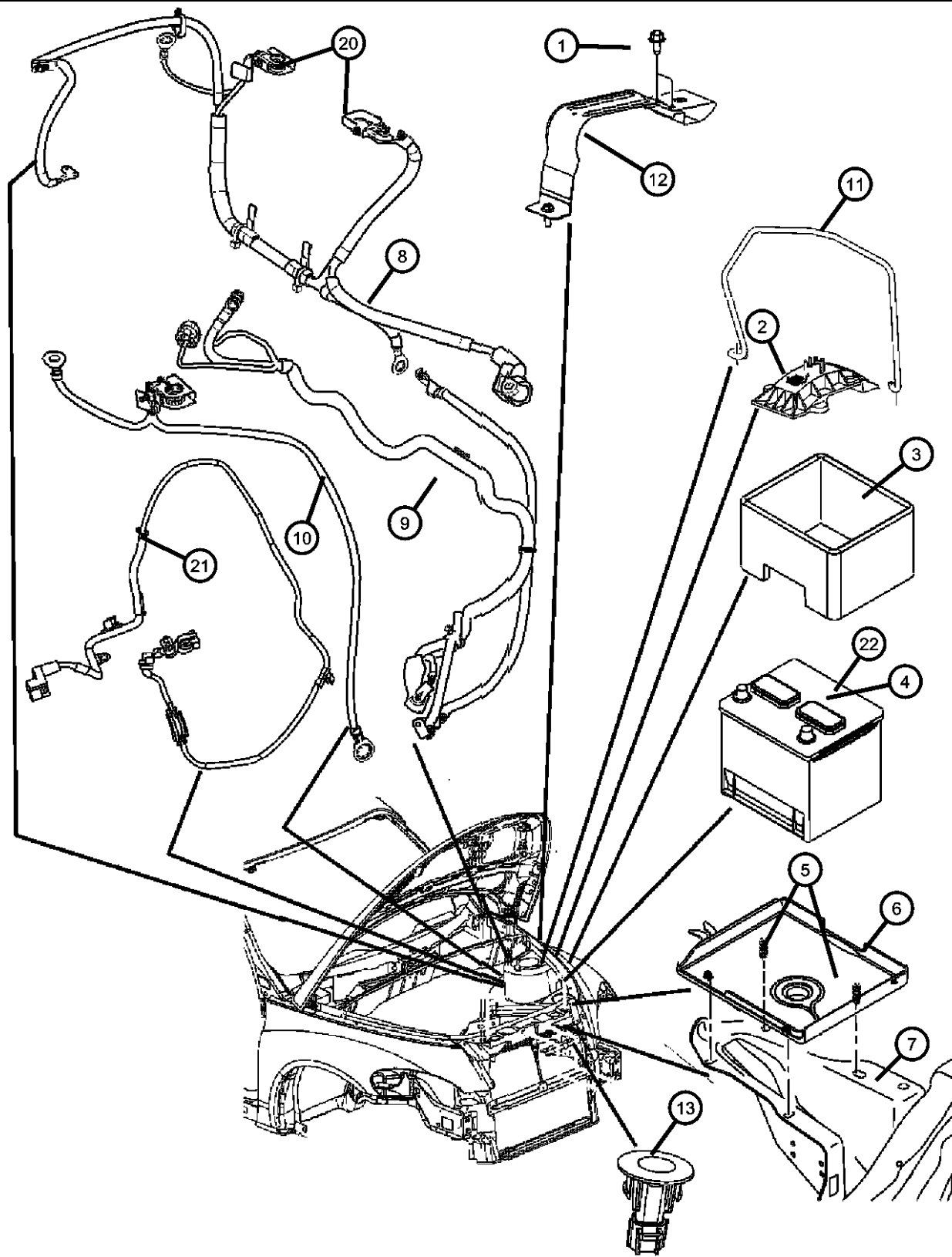
PT CRUISER (PT)

SERIES	LINE	BODY	ENGINE	TRANSMISSION
H = HIGHLINE	C = CHRYSLER	27 = 2-DR CONVERTIBLE	EDJ = 2.2L 4 Cyl Turbo Diesel Engine	DGL = 4-Speed Automatic Transmission
P = PREMIUM	Z = CHRYSLER (RHD)	44 = HATCHBACK/QUAD CAB CHASSIS LWB	EDT = 2.4L 4 Cyl DOHC 16V Turbo Engine	DD5 = 5-Speed Manual Transmission
S = SPORT			EDV = 2.4L 4 Cyl DOHC 16V HO Turbo Engine	DDD = 5-Speed HD Manual Transmission
X = SPECIAL			EDZ = 2.4L 4 Cyl DOHC 16V SMPI Engine	
			EJD = 1.6L 4 Cyl SOHC 16V SMPI	

AR = use ase required - = Non illustrated part

2006 PT

Battery Tray
Figure 8-1005



ITEM	PART NUMBER	QTY	LINE	SERIES	BODY	ENGINE	TRANS	TRIM	DESCRIPTION
1	04707875AB	1							SCREW, Hex Head, M8x1.25x55, (NOT SERVICED)
2	05033053AA	1				EDZ, EJD			RETAINER, Battery Hold Down
	05033259AA	1				EDT, EDV			
3	05033354AA	1				EAG			SHIELD, Battery
4	04671579AB	1							BATTERY
	0VU01207								Repair Battery Terminal End Side Post (Ten Per Box)
	0VU01205								Repair Battery Terminal End Top Post (Ten Per Box)
	BA26R510EX								Mopar Power Pro 6
	BA26R450EX								Mopar Power Pro 5
5	04671579AB	1							SCREW, Hex Flange Head, M6x1.00x35.00, (NOT SERVICED)
6	05033155AB	1			44	EJD			TRAY, Battery
	0VU01205								Repair Battery Terminal End Top Post (Ten Per Box)
	0VU01207								Repair Battery Terminal End Side Post (Ten Per Box)
	05033189AD	1				EDT, EDV			
	0VU01205								Repair Battery Terminal End Top Post (Ten Per Box)
	0VU01207								Repair Battery Terminal End Side Post (Ten Per Box)
	04671780AC	1				EDZ			
	BA26R510EX								Mopar Power Pro 5
	00467159AB								Mopar Power Pro 7
	0VU01205								Repair Battery Terminal End Top Post (Ten Per Box)
	0VU01207								Repair Battery Terminal End Side Post (Ten Per Box)
7	04724931AC	1				EDZ, EJD			SUPPORT, Battery Tray
	05027936AB	1				EDT, EDV			
8									WIRING, Battery

PT CRUISER (PT)

SERIES LINE
H = HIGHLINE C = CHRYSLER
P = PREMIUM Z = CHRYSLER (RHD)
S = SPORT
X = SPECIAL

BODY
27 = 2-DR CONVERTIBLE
44 = HATCHBACK/QUAD
CAB CHASSIS LWB

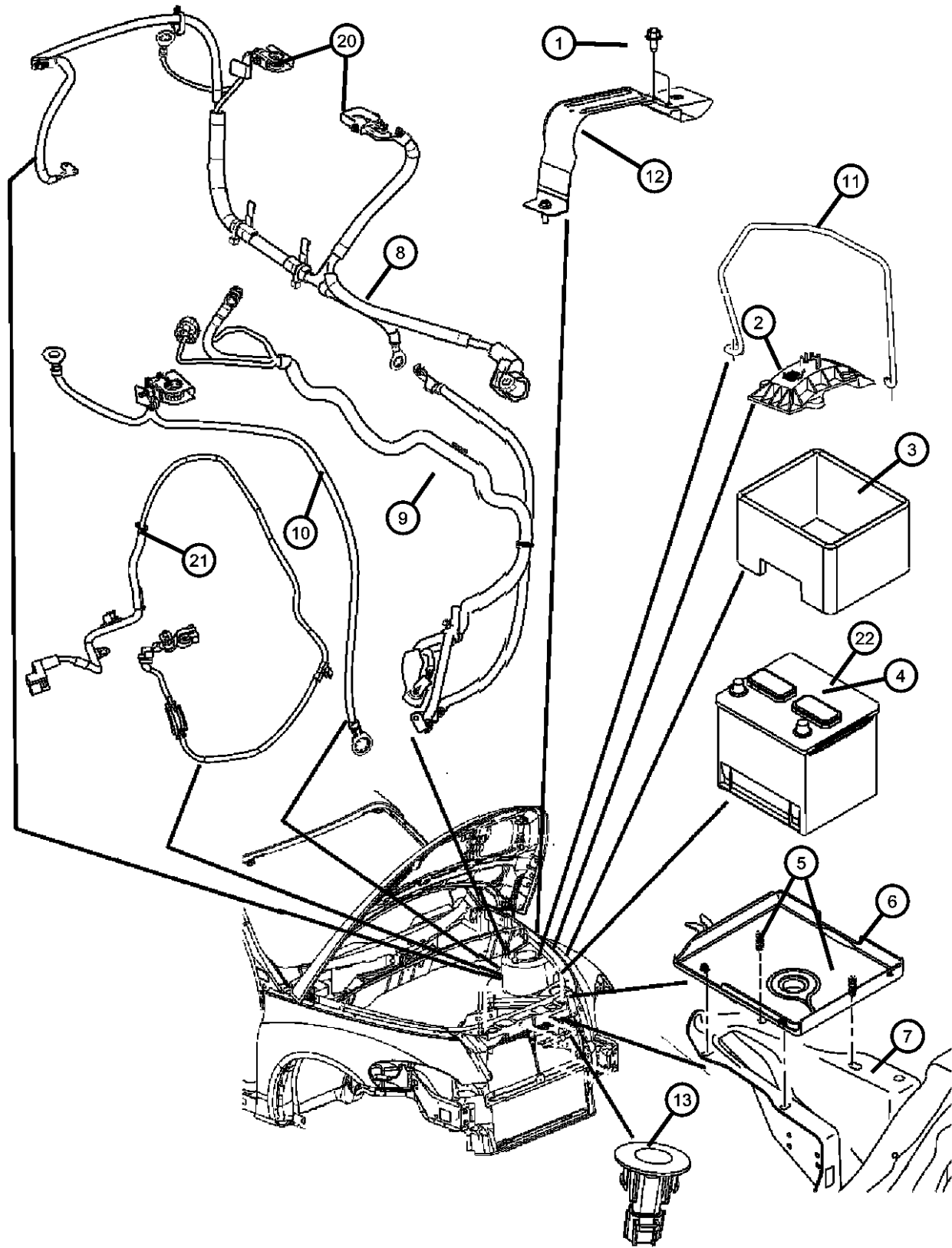
ENGINE
EDJ = 2.2L 4 Cyl Turbo Diesel Engine
EDT = 2.4L 4 Cyl DOHC 16V Turbo Engine
EDV = 2.4L 4 Cyl DOHC 16V HO Turbo Engine
EDZ = 2.4L 4 Cyl DOHC 16V SMPI Engine
EJD = 1.6L 4 Cyl SOHC 16V SMPI

TRANSMISSION
DGL = 4-Speed Automatic Transmission
DD5 = 5-Speed Manual Transmission
DDD = 5-Speed HD Manual Transmission

AR = use ase required - = Non illustrated part

2006 PT

Battery Tray
Figure 8-1005



ITEM	PART NUMBER	QTY	LINE	SERIES	BODY	ENGINE	TRANS	TRIM	DESCRIPTION
	04795680AB	1				EDZ			
	04795683AC	1	C		44	EDJ			
	04795684AC	1	Z		44	EDJ			
	04795686AB	1				EDT, EDV			
9	04795685AA	1			44	EDJ			WIRING, Battery Jumper, Remote jump post
10	04795682AB	1			44	EJD			WIRING, Battery Negative
11	05033258AA	1				EDT, EDV			ROD, Battery
12	05033153AF	1			44	EDJ			STRAP, Battery
13									SENSOR, Air Temperature
	05293138AA	1				EDJ, EDT, EDV, EDZ			
		1				EJD			
		1			44	EDJ			
-14	06101808	1							NUT, Hex, M6x1, Battery Terminal
-15	06101957	1							NUT, Hex Flange Lock, M14x1.50, Battery ground
-16	06505875AA	1							STUD AND WASHER, Two End, M10 x 1.50 x 50.00, Battery ground
-17	05080716AA	1			44	EDJ			KIT, Battery Vent
-18	06101340	1			44	EDJ			U-NUT, M10-1.50
-19	06100842	1			44	EDJ			NUT, Push On, Spacer tp battery strap
20									TERMINAL, Battery
	05161516AA	1				EDZ			Positive Battery Cable
		1			44	EJD			
		1				EDT, EDV			Positive Battery Cable
	05161517AA	1				EDZ			Negative battery cable
		1			44	EJD			Negative battery cable
		1				EDT, EDV			Negative battery cable
21	04795681AB	1			44	EJD			WIRING, Battery Positive
22									BATTERY, Storage
	04868999AB	1	C, Z		27	EDJ			

PT CRUISER (PT)

SERIES LINE
H = HIGHLINE C = CHRYSLER
P = PREMIUM Z = CHRYSLER (RHD)
S = SPORT
X = SPECIAL

BODY
27 = 2-DR CONVERTIBLE
44 = HATCHBACK/QUAD
CAB CHASSIS LWB

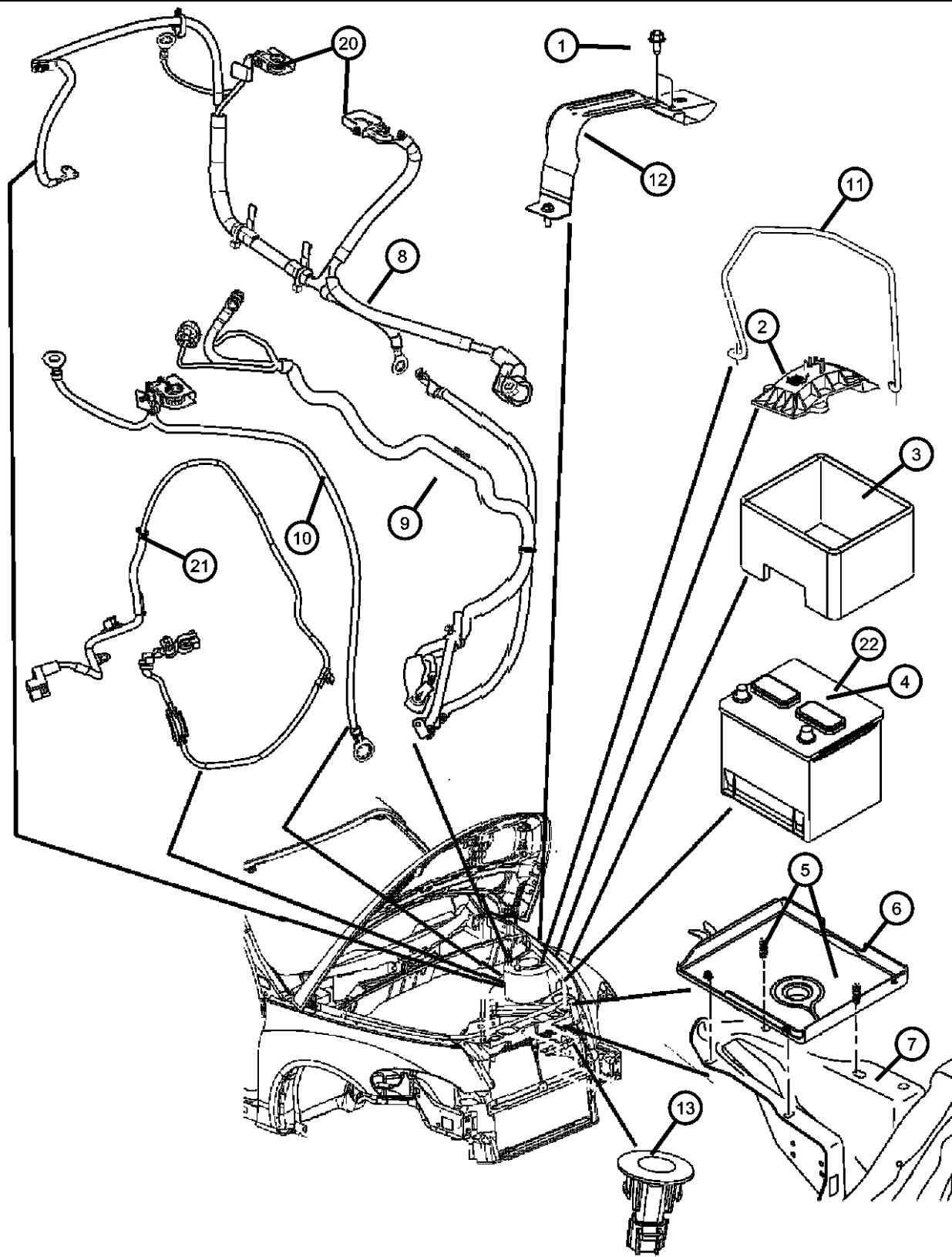
ENGINE
EDJ = 2.2L 4 Cyl Turbo Diesel Engine
EDT = 2.4L 4 Cyl DOHC 16V Turbo Engine
EDV = 2.4L 4 Cyl DOHC 16V HO Turbo Engine
EDZ = 2.4L 4 Cyl DOHC 16V SMPI Engine
EJD = 1.6L 4 Cyl SOHC 16V SMPI

TRANSMISSION
DGL = 4-Speed Automatic Transmission
DD5 = 5-Speed Manual Transmission
DDD = 5-Speed HD Manual Transmission

AR = use ase required - = Non illustrated part

2006 PT

Battery Tray
Figure 8-1005



ITEM	PART NUMBER	QTY	LINE	SERIES	BODY	ENGINE	TRANS	TRIM	DESCRIPTION
------	-------------	-----	------	--------	------	--------	-------	------	-------------

		1	C, Z		44	EDJ			
-23	06501850	1			44	EDJ			SPACER, Battery strap

PT CRUISER (PT)

SERIES LINE
H = HIGHLINE C = CHRYSLER
P = PREMIUM Z = CHRYSLER (RHD)
S = SPORT
X = SPECIAL

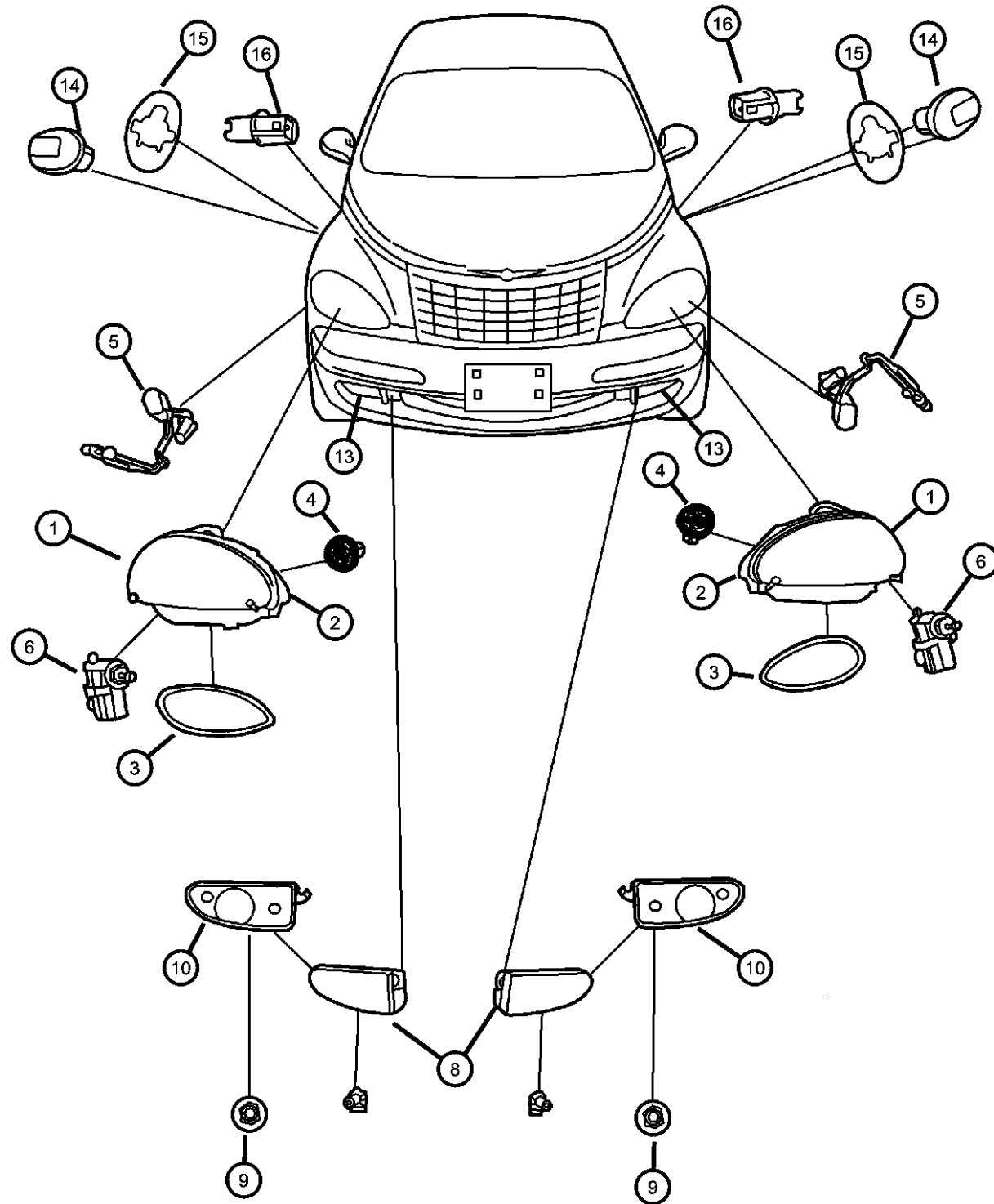
BODY
27 = 2-DR CONVERTIBLE
44 = HATCHBACK/QUAD
CAB CHASSIS LWB

ENGINE
EDJ = 2.2L 4 Cyl Turbo Diesel Engine
EDT = 2.4L 4 Cyl DOHC 16V Turbo Engine
EDV = 2.4L 4 Cyl DOHC 16V HO Turbo Engine
EDZ = 2.4L 4 Cyl DOHC 16V SMPI Engine
EJD = 1.6L 4 Cyl SOHC 16V SMPI

TRANSMISSION
DGL = 4-Speed Automatic Transmission
DD5 = 5-Speed Manual Transmission
DDD = 5-Speed HD Manual Transmission

AR = use ase required - = Non illustrated part

Lamps, Front
Figure 8-1105



ITEM	PART NUMBER	QTY	LINE	SERIES	BODY	ENGINE	TRANS	TRIM	DESCRIPTION
------	-------------	-----	------	--------	------	--------	-------	------	-------------

For Bulbs see illustration 1120

1	05116042AC	1							MODULE, Headlamp
	LBK14001								[LME] Up to 01/06/06, Right Light Bulb Kit (Assorted Bulbs and Fuses)
	05116042AD	1	C, Z		27, 44				[LME] After 01/06/06, Right
	05116043AC	1							[LME] Up to 01/06/06, Left Light Bulb Kit (Assorted Bulbs and Fuses)
	05116043AD	1	C, Z		27, 44				[LME] After 01/06/06, Left
	05116044AC	1							[LMM], Right
	05116045AC	1							[LMM], Left
	05116046AC	1							[LMW], Right
	05116047AC	1							[LMW], Left
2	05116047AC	1							PLATE, Headlamp, serviced with the Headlamp Module, (NOT SERVICED), WELT, Headlamp
3	05179574AA	1							SOCKET, Side Marker
4	05288914AB	1							WIRING, Headlamp, Serviced in headlamp to dash wiring, (NOT SERVICED)
5	05288914AB	1							MOTOR, Headlamp Leveling, (NOT REQUIRED)
6	05288914AB	1							LABEL, Headlamp Leveling
-7	05288631AA	1							LAMP, Fog
8	04805856AA	2							NUT, U Multi Thread, Fog lamp attaching
9	06505468AA	6							BEZEL, Fog Lamp
10	05116212AB	1							Right
	05116213AB	1							Left
-11	04523105	1	C						SOCKET, Cornering Lamp
		1	Z						
-12									SEAL

PT CRUISER (PT)

SERIES LINE
H = HIGHLINE C = CHRYSLER
P = PREMIUM Z = CHRYSLER (RHD)
S = SPORT
X = SPECIAL

BODY
27 = 2-DR CONVERTIBLE
44 = HATCHBACK/QUAD
CAB CHASSIS LWB

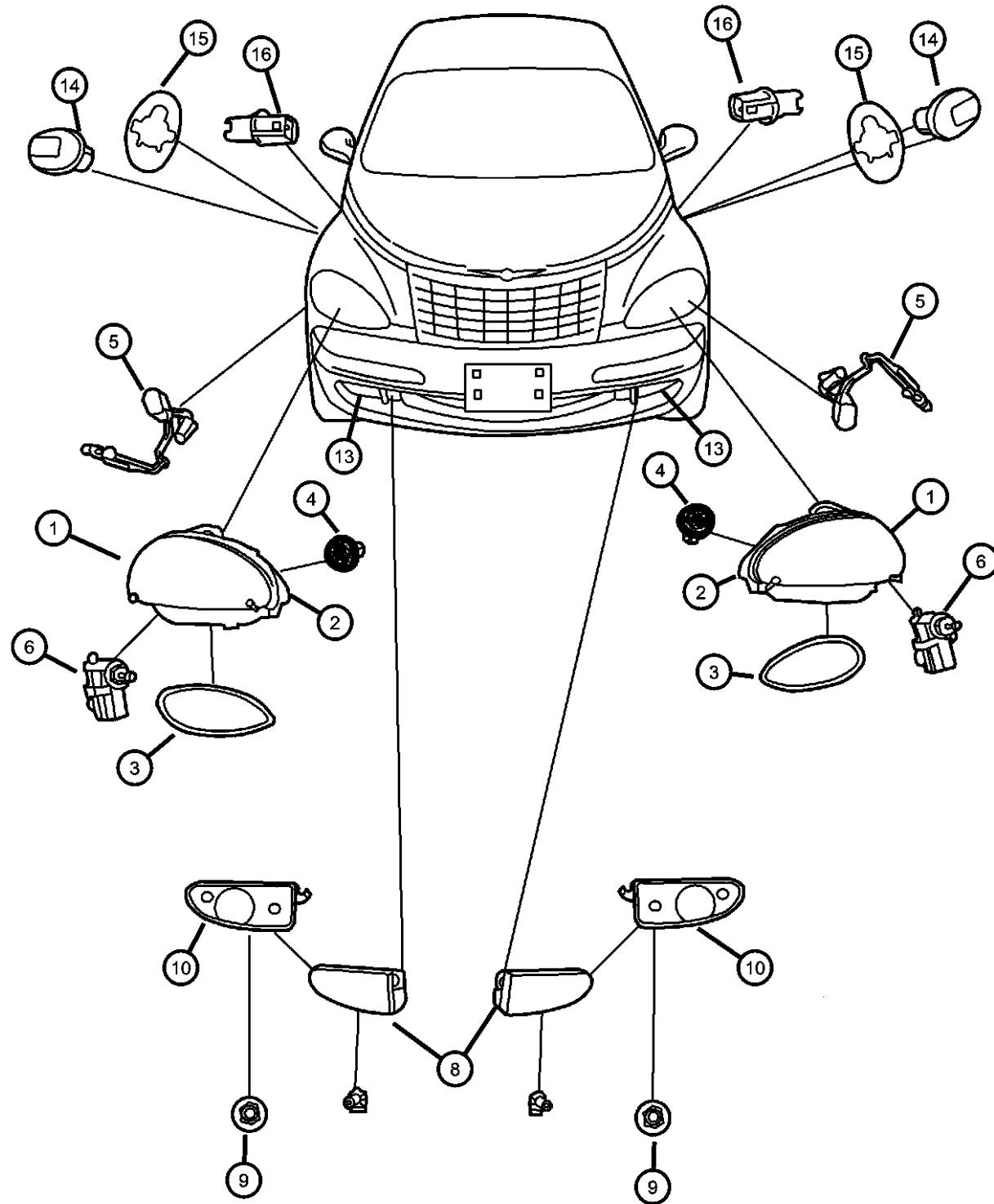
ENGINE
EDJ = 2.2L 4 Cyl Turbo Diesel Engine
EDT = 2.4L 4 Cyl DOHC 16V Turbo Engine
EDV = 2.4L 4 Cyl DOHC 16V HO Turbo Engine
EDZ = 2.4L 4 Cyl DOHC 16V SMPI Engine
EJD = 1.6L 4 Cyl SOHC 16V SMPI

TRANSMISSION
DGL = 4-Speed Automatic Transmission
DD5 = 5-Speed Manual Transmission
DDD = 5-Speed HD Manual Transmission

AR = use ase required - = Non illustrated part

2006 PT

Lamps, Front
Figure 8-1105



ITEM	PART NUMBER	QTY	LINE	SERIES	BODY	ENGINE	TRANS	TRIM	DESCRIPTION
	04399599	1	C						
		1	Z						
13	05116214AB	1							PLUG, Fog Lamp Hole Right
	05116215AB	1							Left
14	05288895AC	2							LAMP, Side Repeater
15	04676801	2							GASKET, Side Marker Lamp
16	05288931AA	2							SOCKET, Side Repeater Lamp

PT CRUISER (PT)

SERIES LINE
H = HIGHLINE C = CHRYSLER
P = PREMIUM Z = CHRYSLER (RHD)
S = SPORT
X = SPECIAL

BODY
27 = 2-DR CONVERTIBLE
44 = HATCHBACK/QUAD
CAB CHASSIS LWB

ENGINE
EDJ = 2.2L 4 Cyl Turbo Diesel Engine
EDT = 2.4L 4 Cyl DOHC 16V Turbo Engine
EDV = 2.4L 4 Cyl DOHC 16V HO Turbo Engine
EDZ = 2.4L 4 Cyl DOHC 16V SMPI Engine
EJD = 1.6L 4 Cyl SOHC 16V SMPI

TRANSMISSION
DGL = 4-Speed Automatic Transmission
DD5 = 5-Speed Manual Transmission
DDD = 5-Speed HD Manual Transmission

AR = use ase required - = Non illustrated part

2006 PT

Lamps, Rear
Figure 8-1110

ITEM	PART NUMBER	QTY	LINE	SERIES	BODY	ENGINE	TRANS	TRIM	DESCRIPTION
------	-------------	-----	------	--------	------	--------	-------	------	-------------

For Bulbs see illustration 1120

1									LAMP, Tail Stop Turn
	05116222AA	1							Right
	05116223AA	1							Left
2									SOCKET, Cornering Lamp
	04523105	1	C						
		1	Z						
-3	68024308AA	1	C, Z		27, 44				SOCKET, Tail, Stop, and Turn Lamp
-4									SOCKET, Tail lamp
	68040132AA	1	C, Z		27				
		1	C, Z		44				
5	06505460AA	2							SCREW, Pan Head, M6 x 1.00 x 25.00, Tail lamp mounting
6	06506130AA	2							NUT, U Multi Thread, M6 x 1.0 x 16, Tail lamp mounting
7	05303609AC	1			27				LAMP, Center High Mounted Stop
-8	05303609AC	1							NUT, Wing, M6, (NOT SERVICED)
9	05288750AD	1			44				HOUSING, CHMSL
10	05288749AA	1			44				LENS, CHMSL
11	05288897AA	1			44				WIRING, CHMSL
-12	06102152AA	AR							SCREW, Tapping Hex Flange Head, M6.3x1.81x20.00
-13									SEAL
	04399599	1	C						
		1	Z						
14	05303021AD	2							LAMP, License Plate
-15	04400588	2							SOCKET, Tail and Side Lamp, License lamp
-16	04400588	2							SCREW, Tapping, .164-18x.75, (NOT SERVICED)
17	05303605AA	4							SPACER, License Lamp
18									LAMP, BackUp
	05116068AB	1	C						Right
	05116069AB	1	C						Left

PT CRUISER (PT)

SERIES LINE
H = HIGHLINE C = CHRYSLER
P = PREMIUM Z = CHRYSLER (RHD)
S = SPORT
X = SPECIAL

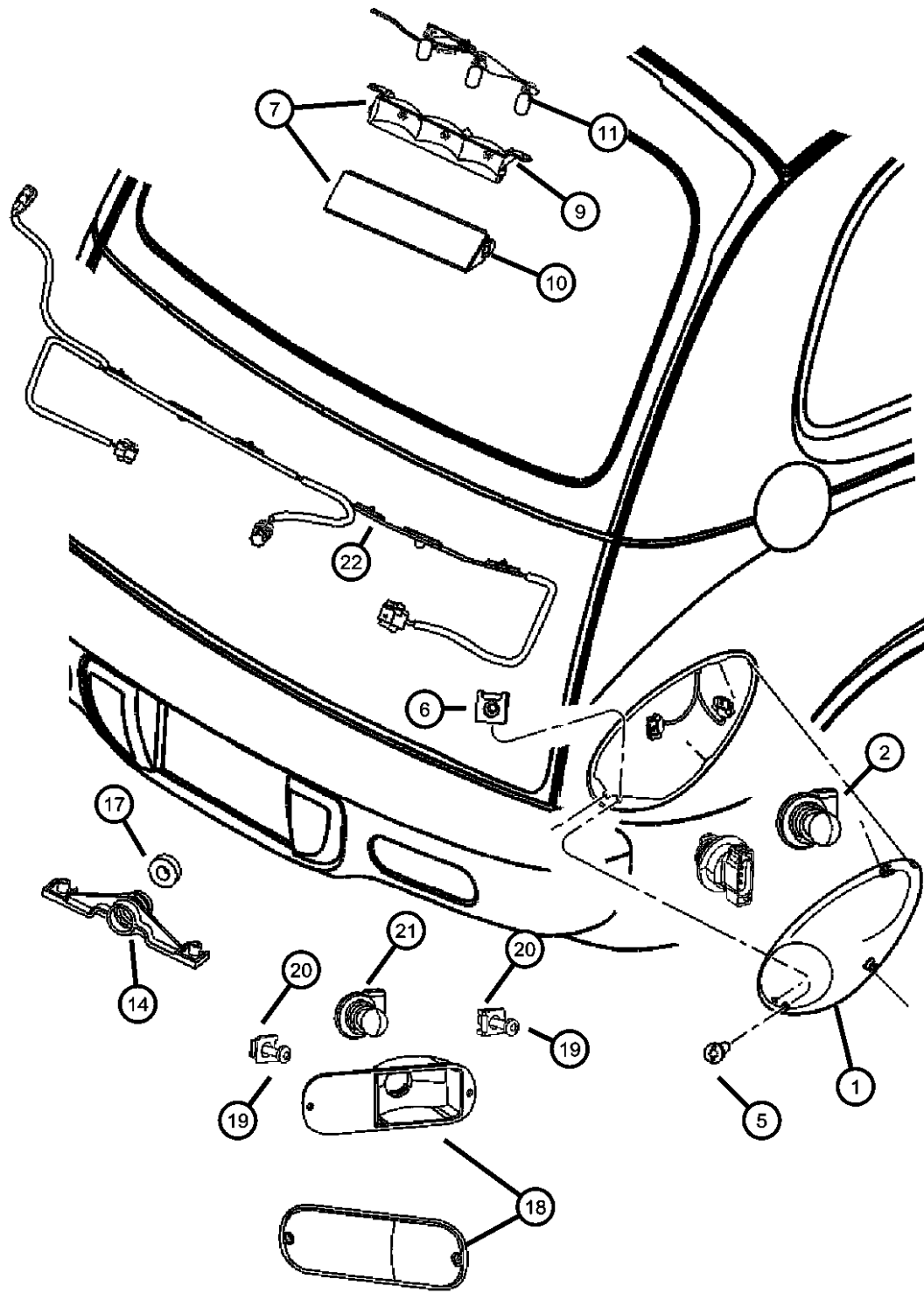
BODY
27 = 2-DR CONVERTIBLE
44 = HATCHBACK/QUAD
CAB CHASSIS LWB

ENGINE
EDJ = 2.2L 4 Cyl Turbo Diesel Engine
EDT = 2.4L 4 Cyl DOHC 16V Turbo Engine
EDV = 2.4L 4 Cyl DOHC 16V HO Turbo Engine
EDZ = 2.4L 4 Cyl DOHC 16V SMPI Engine
EJD = 1.6L 4 Cyl SOHC 16V SMPI

TRANSMISSION
DGL = 4-Speed Automatic Transmission
DD5 = 5-Speed Manual Transmission
DDD = 5-Speed HD Manual Transmission

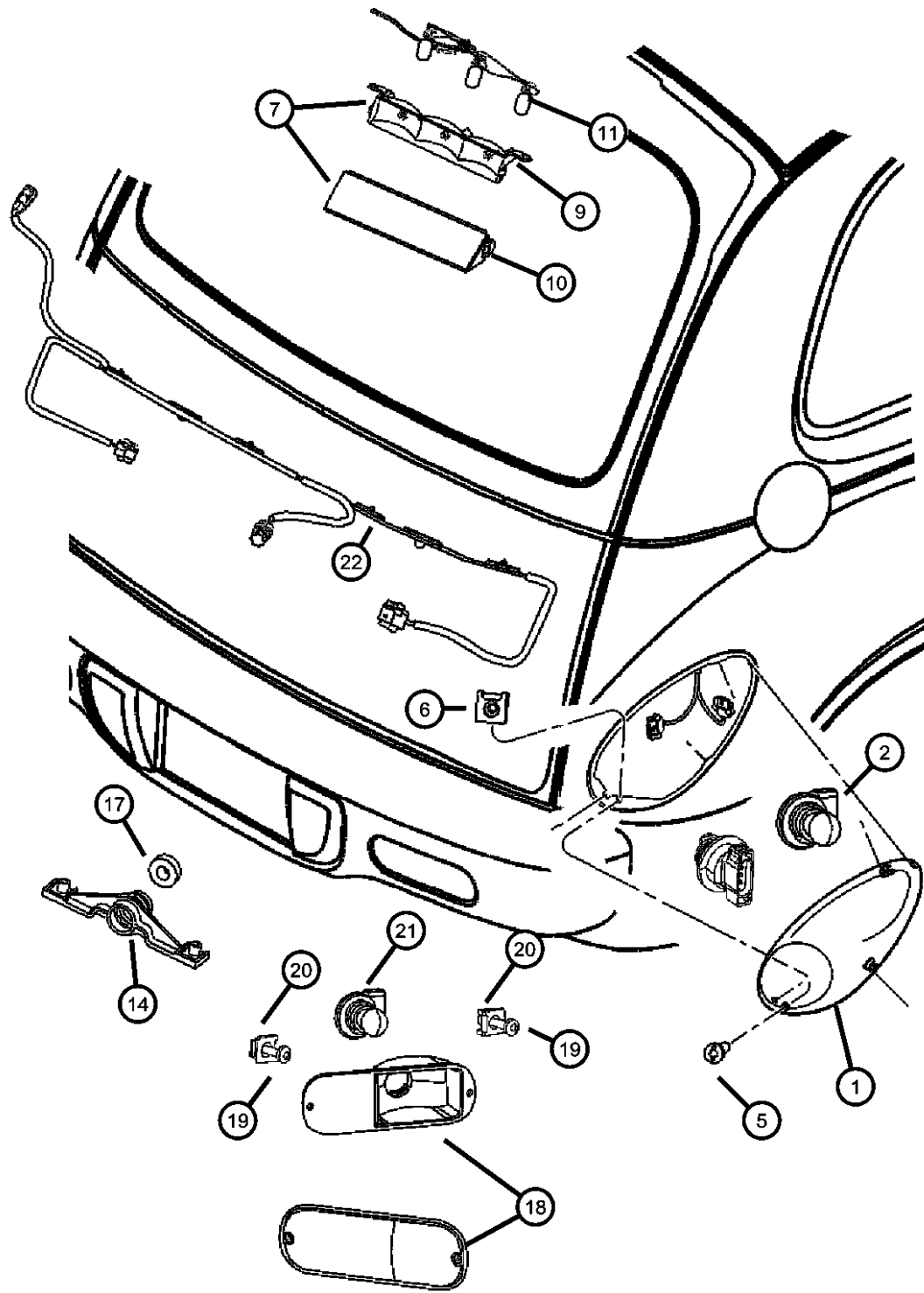
AR = use ase required - = Non illustrated part

2006 PT



Lamps, Rear
Figure 8-1110

ITEM	PART NUMBER	QTY	LINE	SERIES	BODY	ENGINE	TRANS	TRIM	DESCRIPTION
		1	Z						
	05303500AB	1	C						[LPW]
	05303501AB	1	Z						[LPW]
19	06505887AA	6							SCREW, Pan Head, M4 x 0.70 x 25.00, Fog lamp to fascia
20	06505468AA	6							NUT, U Multi Thread, Fog lamp to fascia
21									SOCKET, Cornering Lamp
	04523105	1	C						
		1	Z						
22									WIRING, Rear Fascia
	04795652AA	1	C						[LPT]
	04795653AA	1	C						[LPG]
	04795654AA	1	C						[LPG,MLR]
	04795655AA	1	C						[LPT,LPG,ABJ]
		1	Z						
-23									LAMP, Fog
	05303502AB	1	Z						
		1	C						Japan, Passenger
	05303503AB	1	C						Driver



PT CRUISER (PT)

SERIES LINE
H = HIGHLINE C = CHRYSLER
P = PREMIUM Z = CHRYSLER (RHD)
S = SPORT
X = SPECIAL

BODY
27 = 2-DR CONVERTIBLE
44 = HATCHBACK/QUAD
CAB CHASSIS LWB

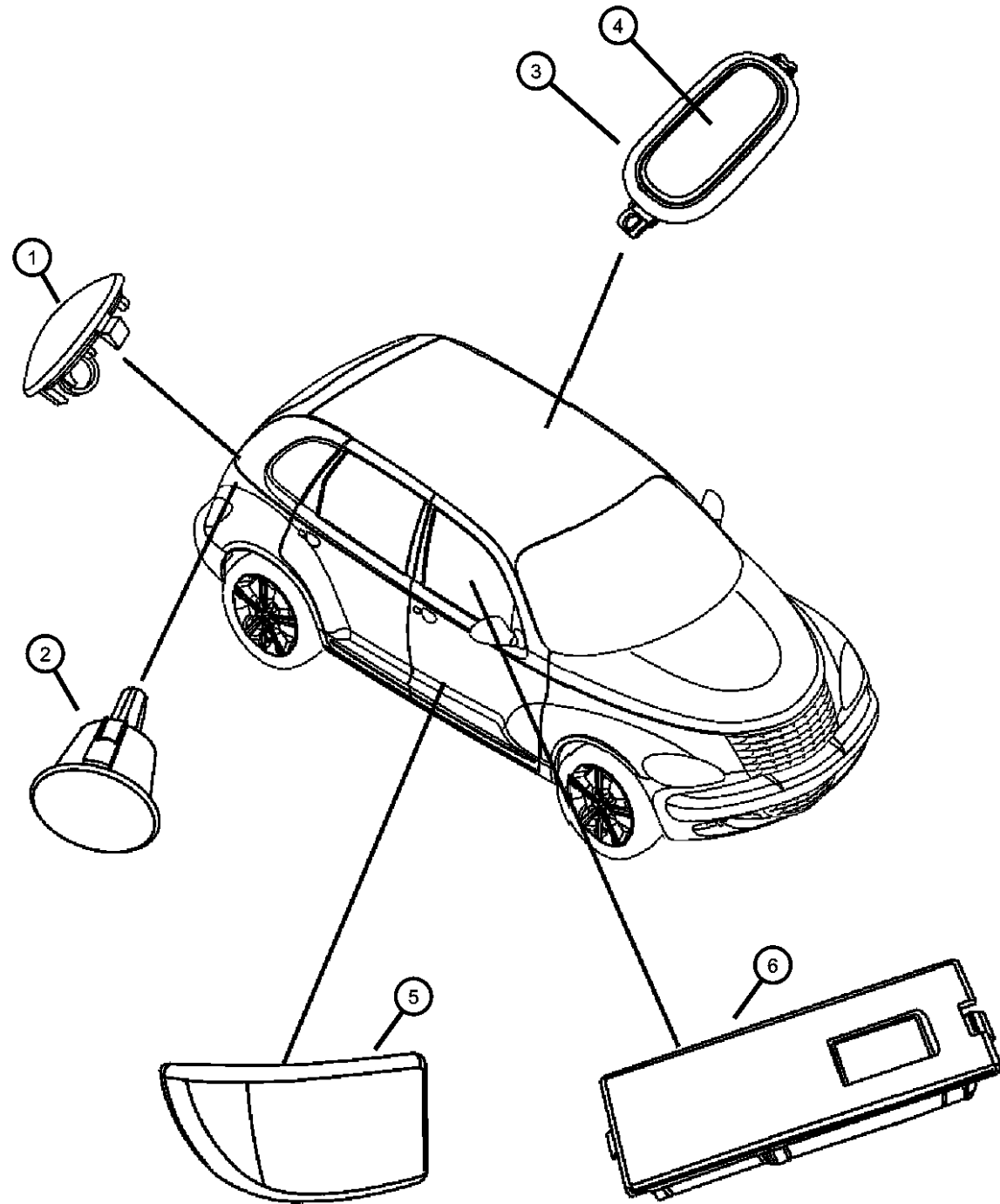
ENGINE
EDJ = 2.2L 4 Cyl Turbo Diesel Engine
EDT = 2.4L 4 Cyl DOHC 16V Turbo Engine
EDV = 2.4L 4 Cyl DOHC 16V HO Turbo Engine
EDZ = 2.4L 4 Cyl DOHC 16V SMPI Engine
EJD = 1.6L 4 Cyl SOHC 16V SMPI

TRANSMISSION
DGL = 4-Speed Automatic Transmission
DD5 = 5-Speed Manual Transmission
DDD = 5-Speed HD Manual Transmission

AR = use ase required - = Non illustrated part

2006 PT

Lamps, Cargo-Dome-Courtesy-Reading
Figure 8-1115



ITEM	PART NUMBER	QTY	LINE	SERIES	BODY	ENGINE	TRANS	TRIM	DESCRIPTION
For Bulbs see illustration 1120									
1									LENS, Cargo Lamp
	05018023AA	1							
	05209554	2			27				
2	05018024AB	1							HOUSING, Cargo Lamp
3	5JG55DW1AB	1			44				LAMP, Dome
4	05093413AA	1			44				LENS, Dome Lamp
5									REFLECTOR, Door Trim Panel
	05023709AA	1			27				Left
	05023758AA	1			27				Right
6	04608669AA	1							LAMP, Console Flood
7									LAMP, Reading
	1AN73DW1AA	1			44				
	1AP63DW1AA	1			44				[GWA]

PT CRUISER (PT)

SERIES LINE
H = HIGHLINE C = CHRYSLER
P = PREMIUM Z = CHRYSLER (RHD)
S = SPORT
X = SPECIAL

BODY
27 = 2-DR CONVERTIBLE
44 = HATCHBACK/QUAD
CAB CHASSIS LWB

ENGINE TRANSMISSION
EDJ = 2.2L 4 Cyl Turbo Diesel Engine DGL = 4-Speed Automatic Transmission
EDT = 2.4L 4 Cyl DOHC 16V Turbo Engine DD5 = 5-Speed Manual Transmission
EDV = 2.4L 4 Cyl DOHC 16V HO Turbo Engine DDD = 5-Speed HD Manual Transmission
EDZ = 2.4L 4 Cyl DOHC 16V SMPI Engine
EJD = 1.6L 4 Cyl SOHC 16V SMPI

AR = use ase required - = Non illustrated part

2006 PT

Bulbs
Figure 8-1120

INTERIOR LAMPS

BULB APPLICATION TABLE

BULB	LAMP	CANDLE POWER
ABS INDICATOR	LED	
AIRBAG INDICATOR	LED	
BRAKE SYSTEM WARNING INDICATOR	LED	
CLIMATE CONTROLS	6233137	0.95 (12)
CONSOLE FLOOD LAMP	T37	0.5 (13)
CONSOLE TRANSMISSION RANGE INDICATOR (PRNDL)	T194	2.0 (14)
DOVE LAMP	T579	9.0 (15)
DOVE LAMP WITH INTRUSION SENSOR EXPORT	T578	9.0 (16)
FRONT FOG LAMP INDICATOR	LED	
HIGH BEAM INDICATOR	PC74	0.7 (17)
INSTRUMENT CLUSTER ILLUMINATION	PC74	0.7 (17)
LOW FUEL INDICATOR	LED	
LOW OIL PRESSURE INDICATOR	LED	
MALFUNCTION INDICATOR LIGHT	LED	
MAP/READING LAMP	T1037	4.4
REAR CARGO LAMP	T904	4.0 (18)
SEAT BELT INDICATOR	LED	
SECURITY ALARM INDICATOR	LED	
TRAC OFF INDICATOR	LED	
TURN SIGNAL INDICATOR	T74	0.7 (19)
VISOR VANITY	6501966	4.4 (20)
VOLTAGE INDICATOR	LED	

EXTERIOR LAMPS

BULB APPLICATION TABLE

LAMP	BULB
BACK-UP LAMP	3157-P27/7W (1)
CHMSL	W16W (2)
FRONT FOG LAMP	9006 (3)
FRONT PARK/TURN SIGNAL LAMP/SIDE MARKER	(4) 4157NAKX (5)
HEADLAMP LOW BEAM	9006XS (6) (7)
HEADLAMP HIGH BEAM	9005XS (8)
LICENSE PLATE LAMP	168 (9)
TAIL LAMP	3157-P27/7W (1)

BULB APPLICATION TABLE - EXPORT

LAMP	BULB
FRONT POSITION LAMP	W5W (10)
SIDE REPEATER LAMP	W5W (11)

ITEM	PART NUMBER	QTY	LINE	SERIES	BODY	ENGINE	TRANS	TRIM	DESCRIPTION
1	L0003157	1							BULB, 3157
2	00154883AA	1			44				BULB, 921
3	L0009145	2							BULB, Fog Lamp, 50 Watt
4	L04157NAKX	1							BULB, 4157 NAKX, Up to 01/06/06
5	L00003157A	1	C, Z		27, 44				BULB, 3157A, After 01/06/06
	L0003157ST								SilverStar
6	L003757A	1							BULB, 3757APY27/7W
7	L0000000H7	1							BULB, Headlamp, H-7
8	L0009006XS	1							BULB, Headlamp, 9006XS
9									BULB, Headlamp
	L0009005	1							[LMM]
	L09005XSLL	1							[LME]
10	L0000168	1	C						BULB, 168
11	L002825W5W	1							BULB, W10/5
12	L0003893	2							BULB, T8/4
13	L0003893	2							BULB, Heater and A/C Control, Serviced in A/C heater control assembly only, (NOT SERVICED)
14	L0000037	1							BULB, 37
15	L0000194	1					DGL		BULB, 194
16	L0000194	1							BULB, 579, (NOT REQUIRED)
17	L0000578	1			44				BULB, 578
18									BULB, PC74
	L000PC74	AR				EDZ			
		AR				EDJ			
		AR				EDT, EDZ			
		AR				EDV			
19	L0000904	2			27				BULB
20	L0000074	2							BULB, 74
21	L0000074	2							BULB, 74, Visor bulb
22	L003157K	1							BULB, 3157K

PT CRUISER (PT)

SERIES LINE
H = HIGHLINE C = CHRYSLER
P = PREMIUM Z = CHRYSLER (RHD)
S = SPORT
X = SPECIAL

BODY
27 = 2-DR CONVERTIBLE
44 = HATCHBACK/QUAD
CAB CHASSIS LWB

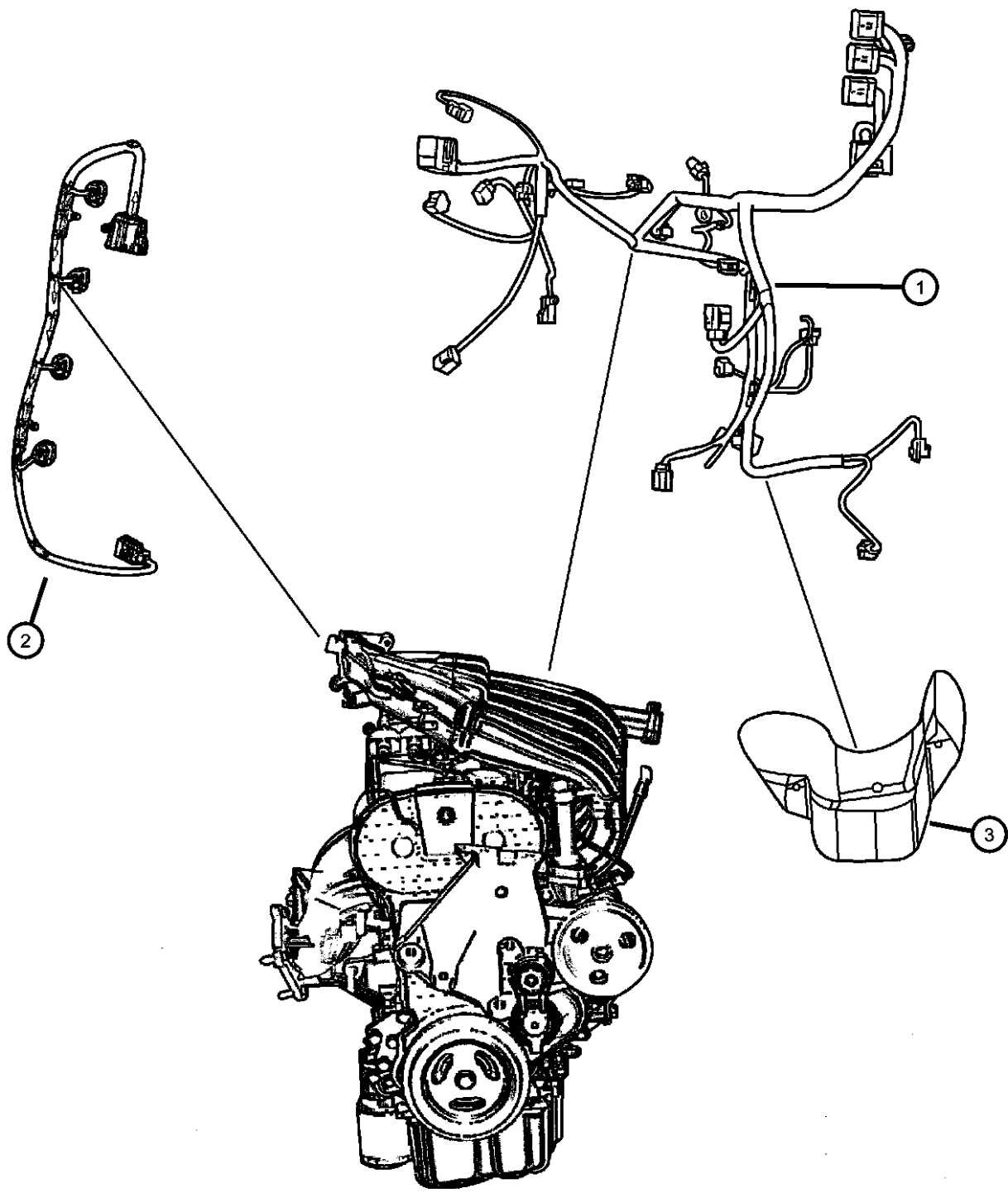
ENGINE
EDJ = 2.2L 4 Cyl Turbo Diesel Engine
EDT = 2.4L 4 Cyl DOHC 16V Turbo Engine
EDV = 2.4L 4 Cyl DOHC 16V HO Turbo Engine
EDZ = 2.4L 4 Cyl DOHC 16V SMPI Engine
EJD = 1.6L 4 Cyl SOHC 16V SMPI

TRANSMISSION
DGL = 4-Speed Automatic Transmission
DD5 = 5-Speed Manual Transmission
DDD = 5-Speed HD Manual Transmission

AR = use ase required - = Non illustrated part

2006 PT

**Wiring-Engine & Related Parts
Figure 8-1205**



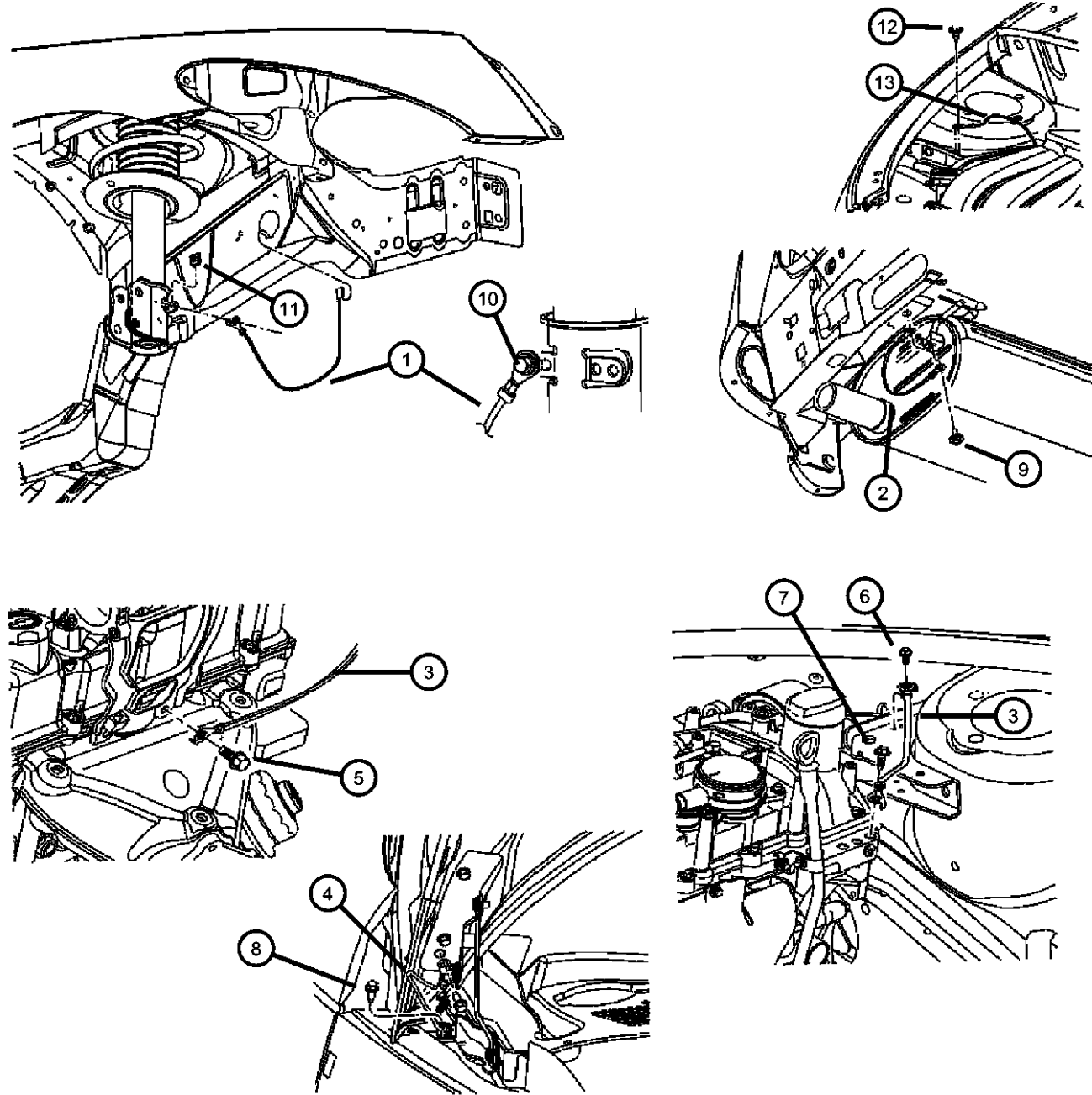
ITEM	PART NUMBER	QTY	LINE	SERIES	BODY	ENGINE	TRANS	TRIM	DESCRIPTION
[DD5]=5 Speed Manual Transmission [DGL]=4 Speed Automatic Transmission [ECC]=2.0L 4 Cylinder DOHC [EDZ]=2.2L 4 Cylinder DOHC									
1									WIRING, Engine
	04795671AB	1				EDZ	DD5		
	04795672AB	1				EDZ	DGL		
	04795673AB	1				EDV	DDD		
	04795674AB	1				EDT, EDV	DGL		
	04795676AC	1				EJD			
	68002137AA	1	C, Z		27, 44	EDJ			
2									WIRING, Injector
	04795678AB	1				EDT, EDV			
	04795679AB	1				EDZ			
3									SHIELD, Wiring
	04671701AF	1				EDZ			
	04794510AC	1			44	EJD			
-4	06504516	2				EDZ			NUT AND WASHER, M6x1.00
-5	06504175	1				EDZ, EJD			NUT AND WASHER, Hex, M8x1.25
-6	04794373AC	1				EJD			CLIP, Eng.
-7	04717297AB	1							CLIP, Wiring
-8									SHIELD, Wiring
	04794510AC	1			44	EJD			
	04794776AB	1				EDT, EDV			
	04794880AA	1	C			EDT, EDV			
-9	05096466AA	2				EDJ			BRACKET, Wiring

PT CRUISER (PT)

SERIES	LINE	BODY	ENGINE	TRANSMISSION
H = HIGHLINE	C = CHRYSLER	27 = 2-DR CONVERTIBLE	EDJ = 2.2L 4 Cyl Turbo Diesel Engine	DGL = 4-Speed Automatic Transmission
P = PREMIUM	Z = CHRYSLER (RHD)	44 = HATCHBACK/QUAD CAB CHASSIS LWB	EDT = 2.4L 4 Cyl DOHC 16V Turbo Engine	DD5 = 5-Speed Manual Transmission
S = SPORT			EDV = 2.4L 4 Cyl DOHC 16V HO Turbo Engine	DDD = 5-Speed HD Manual Transmission
X = SPECIAL			EDZ = 2.4L 4 Cyl DOHC 16V SMPI Engine	
			EJD = 1.6L 4 Cyl SOHC 16V SMPI	

AR = use ase required - = Non illustrated part

Ground Straps
Figure 8-1210



ITEM	PART NUMBER	QTY	LINE	SERIES	BODY	ENGINE	TRANS	TRIM	DESCRIPTION
1	04794264AD	1							STRAP, Ground Strut to body, Right
	04794265AE	1							Strut to body, Left
2	04671169AB	1							STRAP, GroundExhaust
3	04671698AA	1				EDT, EDV, EDZ EDJ			STRAP, Ground Engine to body
	04671744AD	1							Engine to body
4	04671842AB	1							STRAP, Ground, Hood hinge to body
5	06102085AA	1							SCREW AND WASHER, Hex Head, M8x1.25x20
6	06505900AA	1							SCREW, Tapping Hex Flange Head, M6.3 x 1.81 x 19.00
7	06101828	1				EDJ			SCREW, Hex Flange Head
8	06101828	1							SCREW, Pan Head, M4.8x1.59x13.00, (NOT SERVICED)
9	06504341	2							SCREW, Tapping, M6x1.00x15.00
10	06101826	2							SCREW, M6x1x20
11	06505171AA	2							NUT, U Multi Thread, M6 x 1.00
12	06505900AA	1							SCREW, Tapping Hex Flange Head, M6.3 x 1.81 x 19.00
13	06505900AA	1							STRAP, Ground, Serviced in engine harness, (NOT SERVICED)

PT CRUISER (PT)

SERIES LINE
H = HIGHLINE C = CHRYSLER
P = PREMIUM Z = CHRYSLER (RHD)
S = SPORT
X = SPECIAL

BODY
27 = 2-DR CONVERTIBLE
44 = HATCHBACK/QUAD
CAB CHASSIS LWB

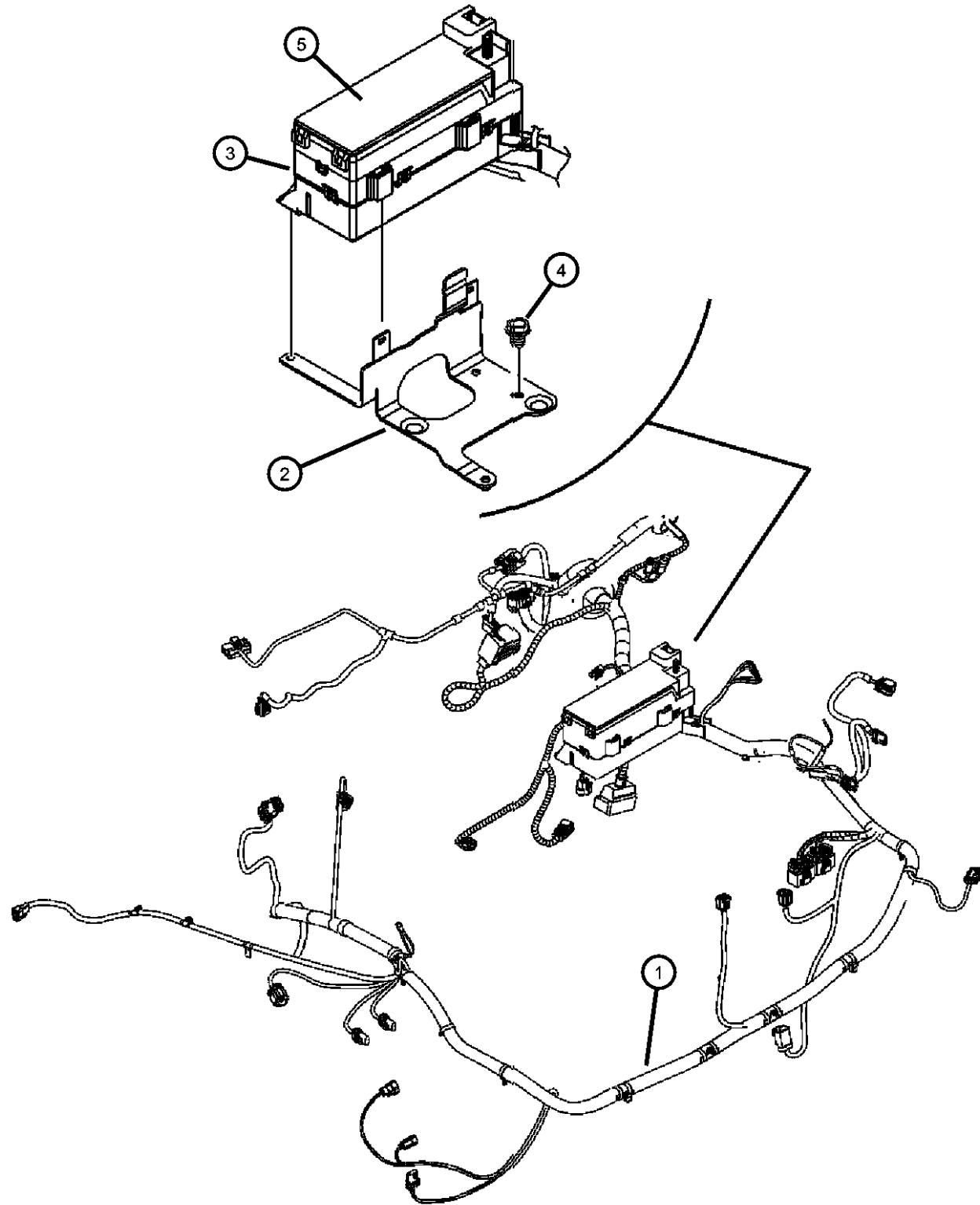
ENGINE
EDJ = 2.2L 4 Cyl Turbo Diesel Engine
EDT = 2.4L 4 Cyl DOHC 16V Turbo Engine
EDV = 2.4L 4 Cyl DOHC 16V HO Turbo Engine
EDZ = 2.4L 4 Cyl DOHC 16V SMPI Engine
EJD = 1.6L 4 Cyl SOHC 16V SMPI

TRANSMISSION
DGL = 4-Speed Automatic Transmission
DD5 = 5-Speed Manual Transmission
DDD = 5-Speed HD Manual Transmission

AR = use ase required - = Non illustrated part

2006 PT

Wiring, Headlamp to Dash
Figure 8-1305



ITEM	PART NUMBER	QTY	LINE	SERIES	BODY	ENGINE	TRANS	TRIM	DESCRIPTION
1									WIRING, Headlamp and Dash
	04795600AD	1	C		44	EDZ	DGL		[BRB]
	04795601AD	1	C		44	EDZ	DGL		[BRB,LSA]
		1	C		27	EDZ	DGL		[BRB]
	04795602AD	1	C			EDZ	DGL		[BRK]
	04795603AD	1	C			EDZ	DD5		[BRB]
	04795604AD	1	C			EDZ	DD5		[BRT,BRK]
	04795605AD	1	C		44	EDZ	DGL		[BRT,BRK,DHD]
	04795606AD	1	C			EDT			[BRB]
	04795608AD	1	C			EDT, EDV	DGL		[BR4]
	04795609AD	1	C			EDV	DDD		[-JKL]
	04795612AD	1	C			EDZ	DD5		[JKL]
	04795613AD	1	C			EDZ	DGL		[JKL]
	04795614AD	1	C		44	EJD			Base
	04795615AD	1	C		44	EDJ	DDD		[LMM,BRT]
	04795616AD	1	C			EDV	DDD		[JKL]
	04795617AD	1	Z			EDZ	DD5		[LMW,BRT]
	04795618AD	1	Z			EDZ	DGL		[LMW,BRT]
	04795619AD	1	Z		44	EDJ	DDD		[LMW,BRT]
2									BRACKET, Air Cleaner
	04891648AA	1				EDT, EDV			Also mounts the totally integrated power module
	04891654AB	1				EDJ			Also mounts the totally integrated power module
	04891656AA	1				EDZ, EJD			Also mounts the totally integrated power module
3									MODULE, Totally Integrated Power
	56049714AH	1			27				
	56049719AH	1			44				
4	56049719AH	1							SCREW, Hex Flange Head, M4.8x1.59x15.74, (NOT SERVICED)
5									COVER, Totally Integrated Power Module

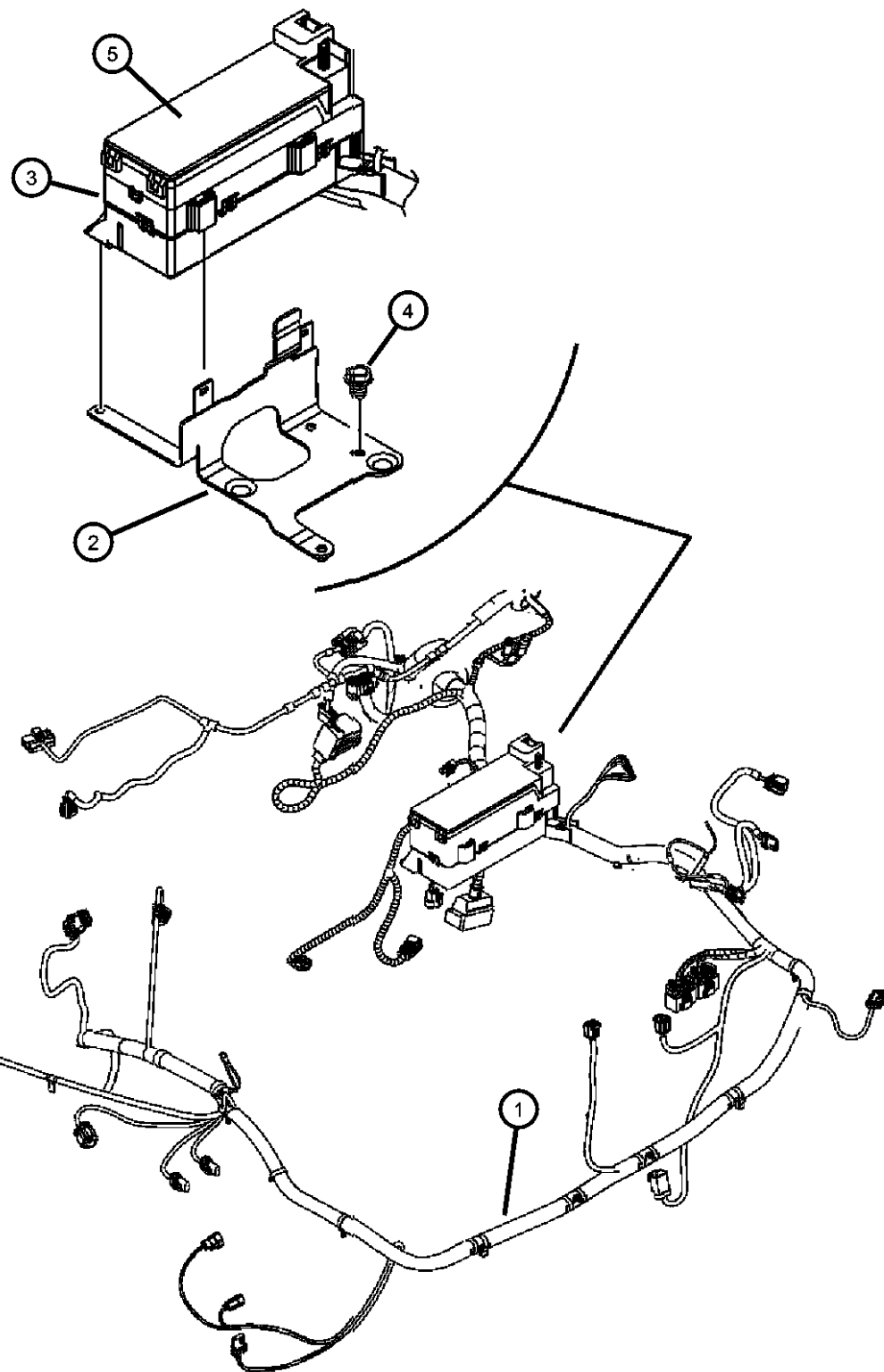
PT CRUISER (PT)

SERIES	LINE	BODY	ENGINE	TRANSMISSION
H = HIGHLINE	C = CHRYSLER	27 = 2-DR CONVERTIBLE	EDJ = 2.2L 4 Cyl Turbo Diesel Engine	DGL = 4-Speed Automatic Transmission
P = PREMIUM	Z = CHRYSLER (RHD)	44 = HATCHBACK/QUAD CAB CHASSIS LWB	EDT = 2.4L 4 Cyl DOHC 16V Turbo Engine	DD5 = 5-Speed Manual Transmission
S = SPORT			EDV = 2.4L 4 Cyl DOHC 16V HO Turbo Engine	DDD = 5-Speed HD Manual Transmission
X = SPECIAL			EDZ = 2.4L 4 Cyl DOHC 16V SMPI Engine	
			EJD = 1.6L 4 Cyl SOHC 16V SMPI	

AR = use ase required - = Non illustrated part

Wiring, Headlamp to Dash
Figure 8-1305

ITEM	PART NUMBER	QTY	LINE	SERIES	BODY	ENGINE	TRANS	TRIM	DESCRIPTION
------	-------------	-----	------	--------	------	--------	-------	------	-------------



	05175568AA	1			27				
		1			44				

PT CRUISER (PT)

SERIES LINE
H = HIGHLINE C = CHRYSLER
P = PREMIUM Z = CHRYSLER (RHD)
S = SPORT
X = SPECIAL

BODY
27 = 2-DR CONVERTIBLE
44 = HATCHBACK/QUAD
CAB CHASSIS LWB

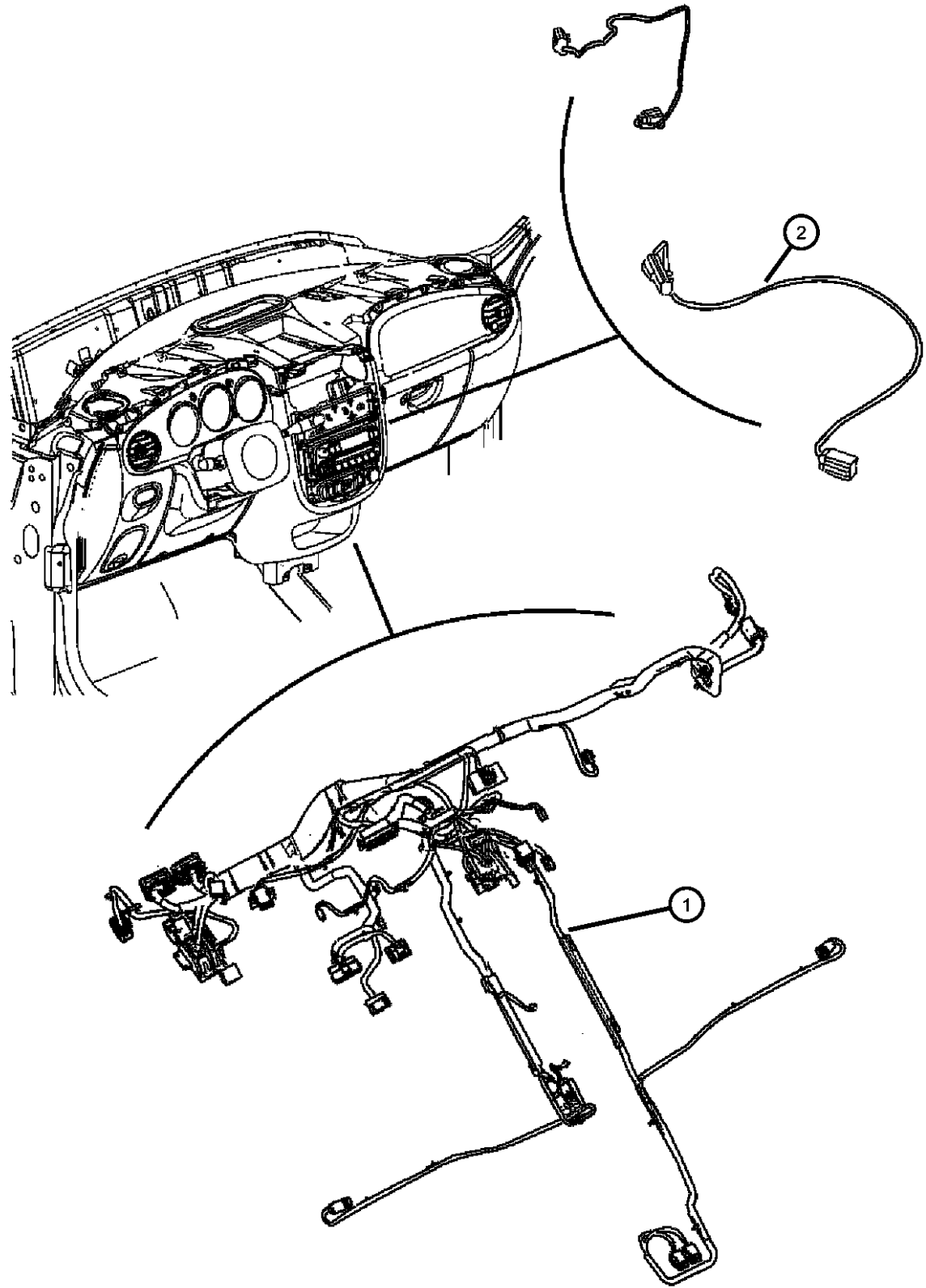
ENGINE
EDJ = 2.2L 4 Cyl Turbo Diesel Engine
EDT = 2.4L 4 Cyl DOHC 16V Turbo Engine
EDV = 2.4L 4 Cyl DOHC 16V HO Turbo Engine
EDZ = 2.4L 4 Cyl DOHC 16V SMPI Engine
EJD = 1.6L 4 Cyl SOHC 16V SMPI

TRANSMISSION
DGL = 4-Speed Automatic Transmission
DD5 = 5-Speed Manual Transmission
DDD = 5-Speed HD Manual Transmission

AR = use ase required - = Non illustrated part

Wiring, Instrument Panel
Figure 8-1405

ITEM	PART NUMBER	QTY	LINE	SERIES	BODY	ENGINE	TRANS	TRIM	DESCRIPTION
NOTE:									
1									WIRING, Instrument Panel
	04795620AD	1	C		44				[RCG,RDD] Up to 10/28/05
	04795620AE	1	C		44				[RCG,RDD] After 10/28/05
	04795622AD	1	C		44				[RC2,RDD] Up to 10/28/05
	04795622AE	1	C		44				[RC2,RDD] After 10/28/05
	04795624AD	1	C		44				[RCG,RDD,RSP] Up to 10/28/05
	04795624AE	1	C		44				[RCG,RDD,RSP] After 10/28/05
	04795626AD	1	C		44				[RC2,RDD,RSP] Up to 10/28/05
	04795626AE	1	C		44				[RC2,RDD,RSP] After 10/28/05
	04795628AD	1	C		44				[RCG,RDB] Up to 10/28/05
	04795628AE	1	C		44				[RCG,RDB] After 10/28/05
	04795629AD	1	C		44				[RC2,RDB] Up to 10/28/05
	04795629AE	1	C		44				[RC2,RDB] After 10/28/05
	04795632AD	1	Z		44				[RCG,RDB] Up to 10/28/05
	04795632AE	1	Z		44				[RCG,RDB] After 10/28/05
	04795633AD	1	Z		44				[RC2,RDB] Up to 10/28/05
	04795633AE	1	Z		44				[RC2,RDB] After 10/28/05
	04795636AD	1	C		27				[RCG] Up to 10/28/05
	04795636AE	1	C		27				[RCG] After 10/28/05
	04795638AD	1	C		27				[RC5] Up to 06/28/05
	04795638AE	1	C		27				[RC5] After 06/28/05
	04795878AB	1	Z		27				[RD6] Up to 10/28/05
	04795878AC	1	Z		27				[RD6] After 10/28/05
	04795979AC	1	C			EJD			Base up to 06/28/05
	04795979AD	1	C		27, 44	EJD			Base After 06/28/05
	04795987AB	1	Z		27				[-RD6] Up to 10/28/05
	04795987AC	1	Z		27				[-RD6] After 10/28/05
2	04671712AA	1	Z						WIRING, A/C and HEATER



PT CRUISER (PT)

SERIES LINE
H = HIGHLINE C = CHRYSLER
P = PREMIUM Z = CHRYSLER (RHD)
S = SPORT
X = SPECIAL

BODY
27 = 2-DR CONVERTIBLE
44 = HATCHBACK/QUAD
CAB CHASSIS LWB

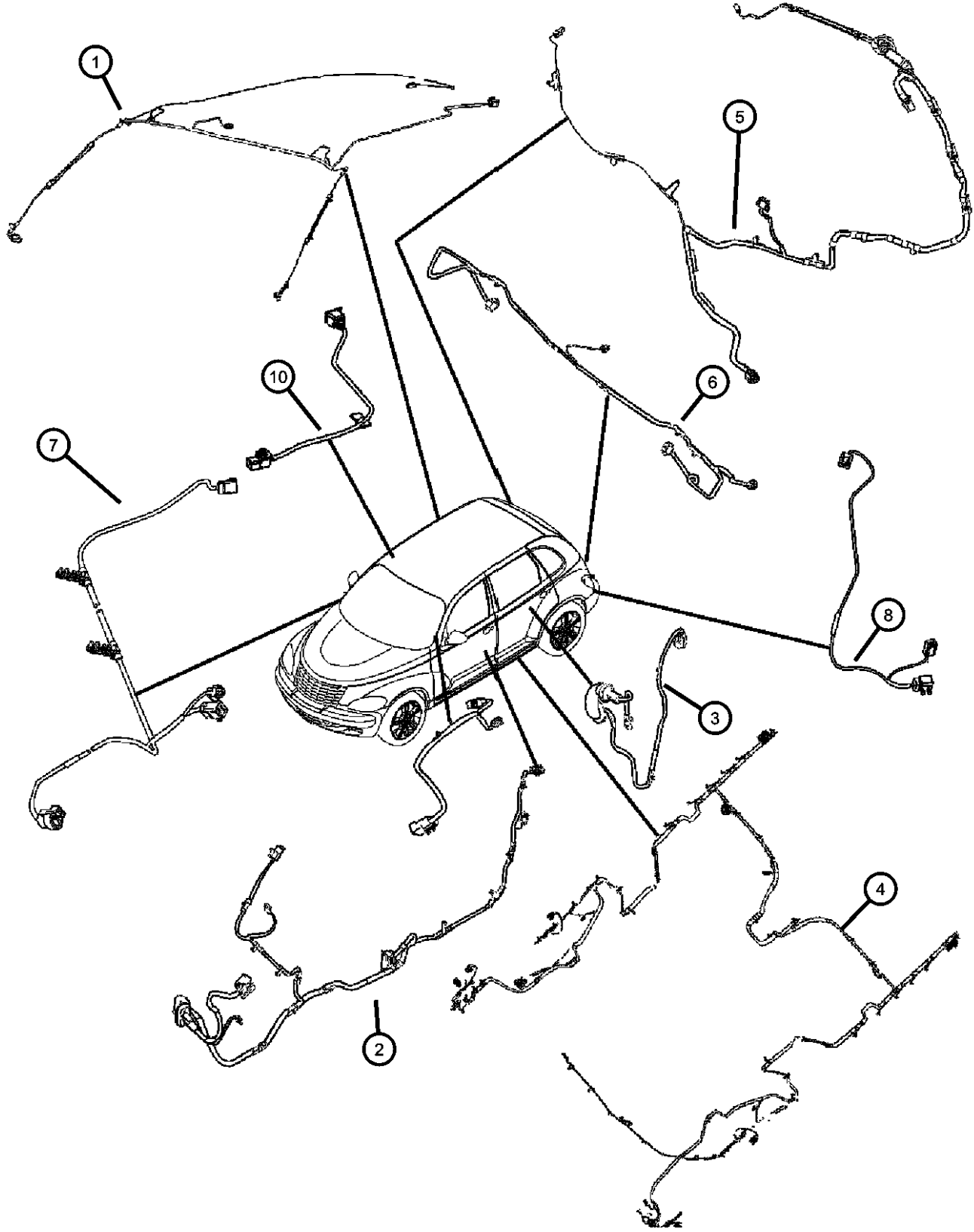
ENGINE
EDJ = 2.2L 4 Cyl Turbo Diesel Engine
EDT = 2.4L 4 Cyl DOHC 16V Turbo Engine
EDV = 2.4L 4 Cyl DOHC 16V HO Turbo Engine
EDZ = 2.4L 4 Cyl DOHC 16V SMPI Engine
EJD = 1.6L 4 Cyl SOHC 16V SMPI

TRANSMISSION
DGL = 4-Speed Automatic Transmission
DD5 = 5-Speed Manual Transmission
DDD = 5-Speed HD Manual Transmission

AR = use ase required - = Non illustrated part

2006 PT

Wiring Body Model 44
Figure 8-1505



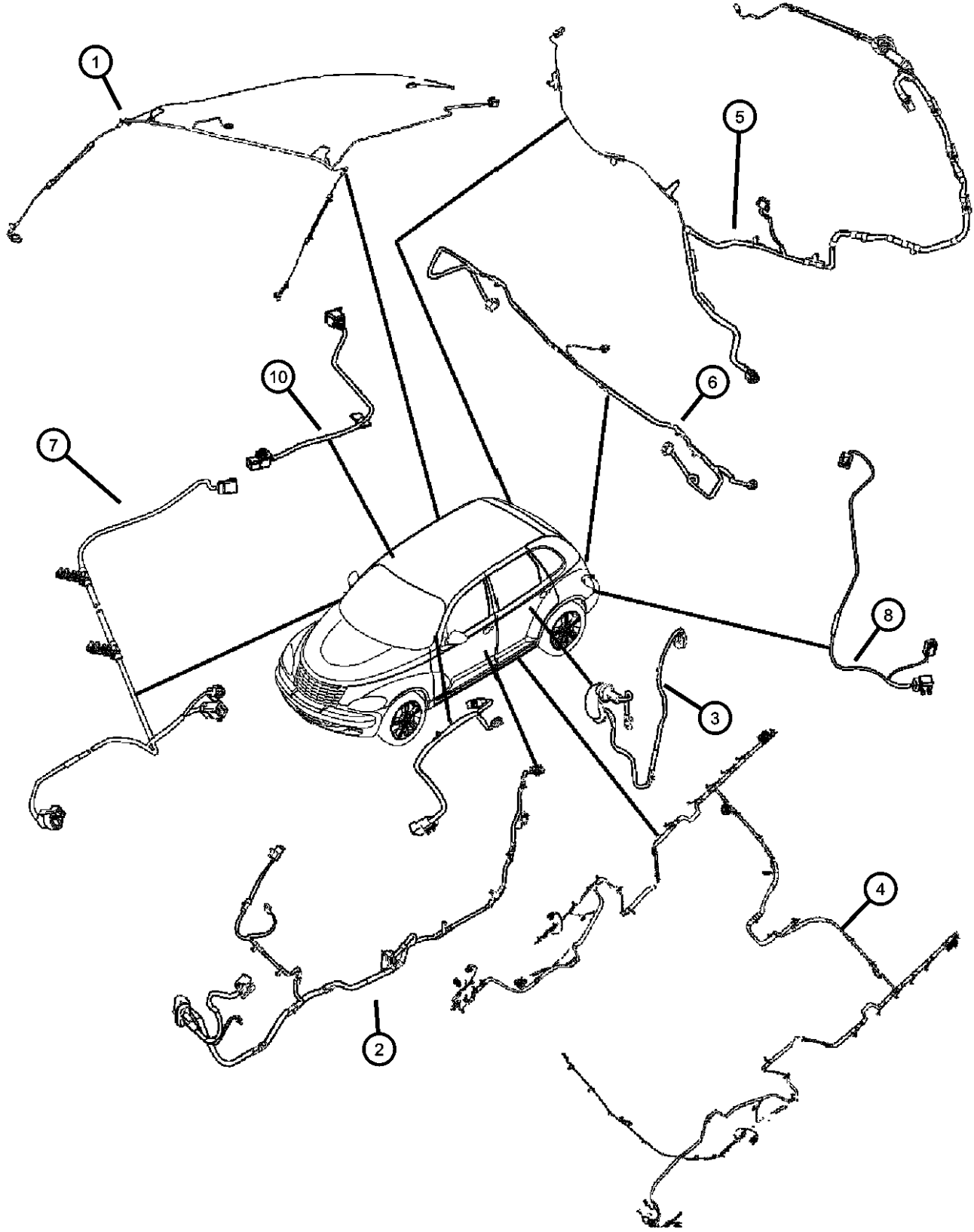
ITEM	PART NUMBER	QTY	LINE	SERIES	BODY	ENGINE	TRANS	TRIM	DESCRIPTION
1	05084688AA	1			44				WIRING, Headliner
2									WIRING, Front Door
	04795656AC	2	C		44				[GTE], Right or Left
	04795660AC	1	C		44				[GTN,GTS], Right
	04795661AC	2	Z		44				[GT5], Right or Left
	04795657AC	1	C		44				[GUR], Left
	04795658AC	1	C		44				[GUR], Right
	04795659AC	1	C		44				[GTN,GTS], Left
3	04795665AC	2			44				WIRING, Rear DoorRight or Left
4									WIRING, Unified Body
	04795640AC	1	C		44				[RCG,RDD] Up to 10/28/05
	04795640AD	1	C		44				[RCG,RDD] After 10/28/05
	04795641AC	1	C		44				[RCG,RDD,CJ1] Up to 10/28/05
	04795641AD	1	C		44				[RCG,RDD,CJ1] After 10/28/05
	04795642AC	1	C		44				[RC2,RDD] Up to 10/28/05
	04795644AD	1	C		44				[RCG,RDD,CJ1,RSA] After 10/28/05
	04795645AC	1	C		44				[RC2,RDD,CJ1,RSA] Up to 10/28/05
	04795645AD	1	C		44				[RC2,RDD,CJ1,RSA] After 10/28/05
	04795646AC	1	C		44				[RCG,RDB] Up to 10/28/05
	04795646AD	1	C		44				[RCG,RDB] After 10/28/05
	04795647AC	1	C		44				[RC2,RDB] Up to 10/28/05
	04795647AD	1	C		44				[RC2,RDB] After 10/28/05
	04795648AC	1	Z		44				[RC2,RDB] Up to 10/28/05
	04795642AD	1	C		44				[RC2,RDD] After 10/28/05
	04795643AC	1	C		44				[RC2,RDD,CJ1] Up to 10/28/05
	04795643AD	1	C		44				[RC2,RDD,CJ1] After 10/28/05
	04795644AC	1	C		44				[RCG,RDD,CJ1,RSA] Up to 10/28/05
	04795648AD	1	Z		44				[RC2,RDB] After 10/28/05
	05084671AC	1	C		44				[RCG,RDD,RSA] Up to 10/28/05
	05084671AD	1	C		44				[RCG,RDD,RSA] After 10/28/05

PT CRUISER (PT)

SERIES	LINE	BODY	ENGINE	TRANSMISSION
H = HIGHLINE	C = CHRYSLER	27 = 2-DR CONVERTIBLE	EDJ = 2.2L 4 Cyl Turbo Diesel Engine	DGL = 4-Speed Automatic Transmission
P = PREMIUM	Z = CHRYSLER (RHD)	44 = HATCHBACK/QUAD CAB CHASSIS LWB	EDT = 2.4L 4 Cyl DOHC 16V Turbo Engine	DD5 = 5-Speed Manual Transmission
S = SPORT			EDV = 2.4L 4 Cyl DOHC 16V HO Turbo Engine	DDD = 5-Speed HD Manual Transmission
X = SPECIAL			EDZ = 2.4L 4 Cyl DOHC 16V SMPI Engine	
			EJD = 1.6L 4 Cyl SOHC 16V SMPI	

AR = use ase required - = Non illustrated part

Wiring Body Model 44
Figure 8-1505



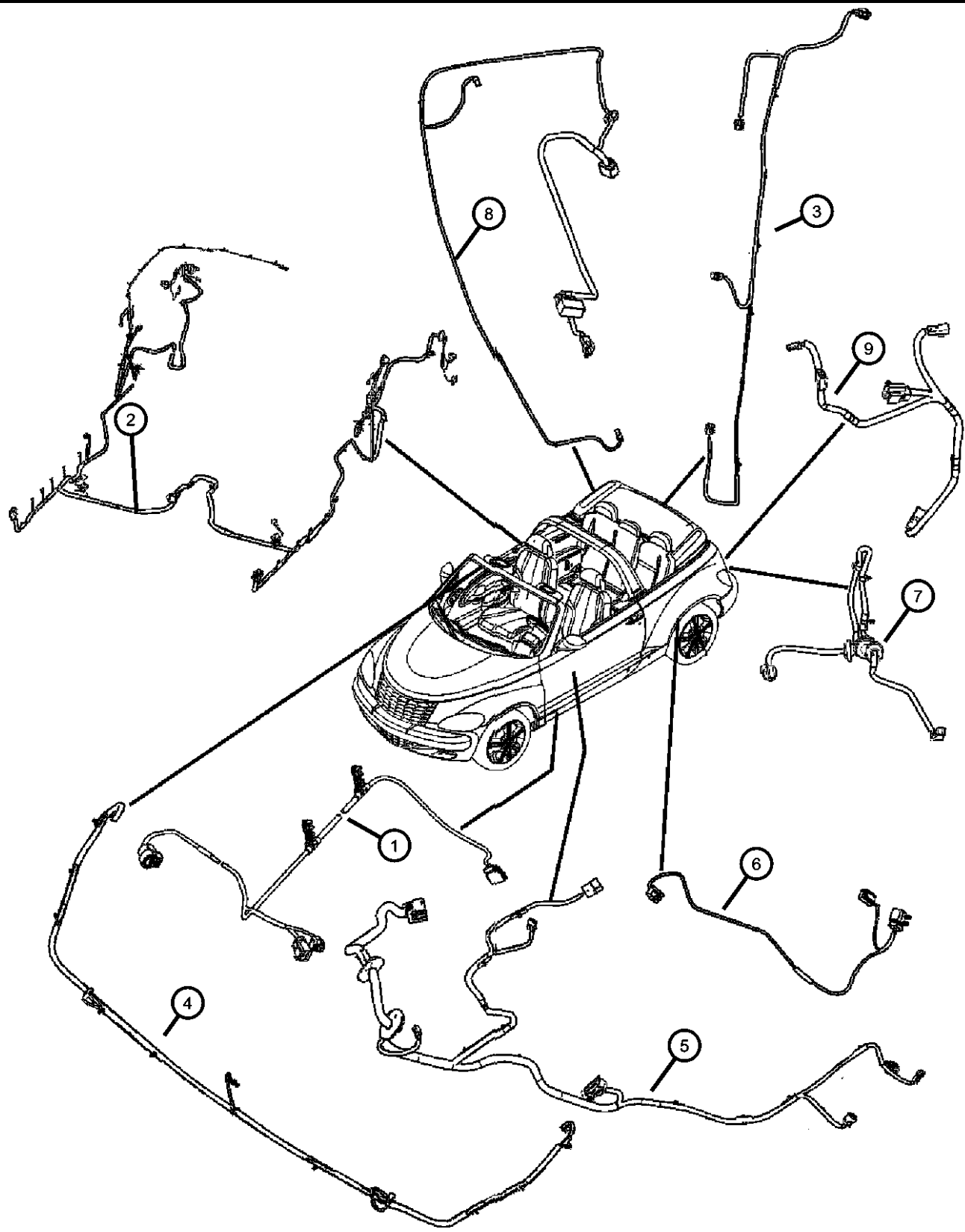
ITEM	PART NUMBER	QTY	LINE	SERIES	BODY	ENGINE	TRANS	TRIM	DESCRIPTION
	05084672AC	1	C		44				[RC2,RDD,RSA] Up to 10/28/05
	05084672AD	1	C		44				[RC2,RDD,RSA] After 10/28/05
	05084673AC	1	Z		44				[RCG,RDB] Up to 10/28/05
	05084673AD	1	Z		44				[RCG,RDB] After 10/28/05
5	04795667AB	1			44				WIRING, Liftgate
6									WIRING, Rear Fascia
	04795652AA	1	C						[LPT]
	04795653AA	1	C						[LPG]
	04795655AA	1	C						[LPT,LPG,ABJ]
	04795654AA	1	Z						[LPT,MLR]]
7									WIRING, Underbody
	05085365AB	1	C			EDZ, EJD			[BRT,BRK]
		1	C			EDT, EDV			[BR4]
	05085366AB	1	Z			EDZ			[BRT,BRK]
		1	C			EDJ			[BRT,BRK]
		1	Z		44	EDJ			[BRT,BRK]
	05273492AA	1	C			EDZ			[BRB]
		1	C			EDT			[BRB]
8									WIRING, Fuel Tank
	04795839AA	1				EDT, EDV			
		1				EDZ			
	04795840AA	1				EDJ			
		1				EDZ, EJD			
-9	05114086AA	1	C		44				HARNES, Air Bag JumperDrivers Side
10	05096261AB	1			44				WIRING, Sunroof

PT CRUISER (PT)

SERIES	LINE	BODY	ENGINE	TRANSMISSION
H = HIGHLINE	C = CHRYSLER	27 = 2-DR CONVERTIBLE	EDJ = 2.2L 4 Cyl Turbo Diesel Engine	DGL = 4-Speed Automatic Transmission
P = PREMIUM	Z = CHRYSLER (RHD)	44 = HATCHBACK/QUAD CAB CHASSIS LWB	EDT = 2.4L 4 Cyl DOHC 16V Turbo Engine	DD5 = 5-Speed Manual Transmission
S = SPORT			EDV = 2.4L 4 Cyl DOHC 16V HO Turbo Engine	DDD = 5-Speed HD Manual Transmission
X = SPECIAL			EDZ = 2.4L 4 Cyl DOHC 16V SMPI Engine	
			EJD = 1.6L 4 Cyl SOHC 16V SMPI	

AR = use ase required - = Non illustrated part

Wiring Body Model 27
Figure 8-1510



ITEM	PART NUMBER	QTY	LINE	SERIES	BODY	ENGINE	TRANS	TRIM	DESCRIPTION
1	04795662AC	1			27				WIRING, Front Door Right
	04795663AC	1			27				Left
2	04795649AB	1	C		27				WIRING, Unified Body [RCG] Up to 10/28/05
	04795649AC	1	C		27				[RCG] After 10/28/05
	04795650AB	1	C		27				[RCG,CJ1] Up to 10/28/05
	04795650AC	1	C		27				[RCG,CJ1] After 10/28/05
	04795651AB	1	C		27				[RC6] Up to 10/28/05
	04795651AC	1	C		27				[RC6] After 10/28/05
	04795879AB	1	Z		27				[RC6] Up to 10/28/05
	04795879AC	1	Z		27				[RC6] After 10/28/05
	04795988AB	1	Z		27				[RCG] Up to 10/28/05
	04795988AC	1	Z		27				[RCG] After 10/28/05
	05084674AB	1	C		27				[RC6,CJ1] Up to 10/28/05
	05084674AC	1	C		27				[RC6,CJ1] After 10/28/05
3	04795652AA	1	C						WIRING, Rear Fascia [LPT]
	04795653AA	1	C						[LPG]
	04795654AA	1	C						[LPT,MLR]
	04795655AA	1	C						[LPT,LPG,ABJ]
		1	Z						Base
4	04795670AD	1	C		27				WIRING, Header
	04795947AB	1	Z		27				
5	05085365AB	1	C			EDZ, EJD			WIRING, Underbody [BRT,BRK]
		1	C			EDT, EDV			[BR4]
	05085366AB	1	Z			EDZ			[BRT,BRK]
		1	C			EDJ			[BRT,BRK]
	05273492AA	1	C			EDZ			[BRB]
	1	C			EDT			[BRB]	

PT CRUISER (PT)

SERIES LINE
H = HIGHLINE C = CHRYSLER
P = PREMIUM Z = CHRYSLER (RHD)
S = SPORT
X = SPECIAL

BODY
27 = 2-DR CONVERTIBLE
44 = HATCHBACK/QUAD
CAB CHASSIS LWB

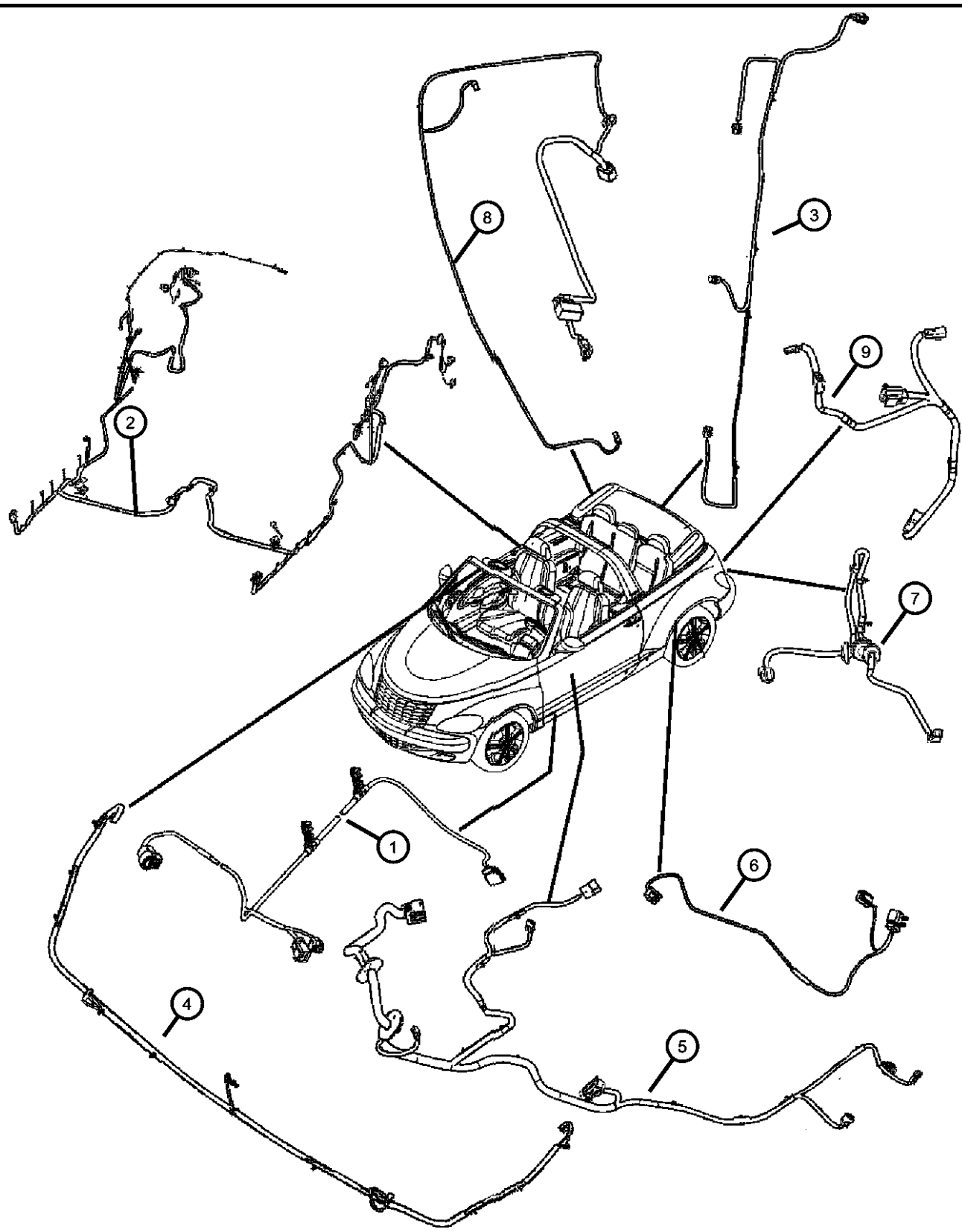
ENGINE
EDJ = 2.2L 4 Cyl Turbo Diesel Engine
EDT = 2.4L 4 Cyl DOHC 16V Turbo Engine
EDV = 2.4L 4 Cyl DOHC 16V HO Turbo Engine
EDZ = 2.4L 4 Cyl DOHC 16V SMPI Engine
EJD = 1.6L 4 Cyl SOHC 16V SMPI

TRANSMISSION
DGL = 4-Speed Automatic Transmission
DD5 = 5-Speed Manual Transmission
DDD = 5-Speed HD Manual Transmission

AR = use ase required - = Non illustrated part

2006 PT

Wiring Body Model 27
Figure 8-1510



ITEM	PART NUMBER	QTY	LINE	SERIES	BODY	ENGINE	TRANS	TRIM	DESCRIPTION
6	04795839AA	1				EDT, EDV			WIRING, Fuel Tank [NFS]
	04795840AA	1				EDZ			[NAS,NAA,NAE,NFS]
		1				EDJ			[NFS,NA1]
		1				EDZ, EJD			[NFS,NA1]
7	04795669AB	1			27				WIRING, Jumper
8	04795838AA	1			27				WIRING, Convertible Top
9	04795668AA	1			27				WIRING, Deck Lid

PT CRUISER (PT)

SERIES LINE
H = HIGHLINE C = CHRYSLER
P = PREMIUM Z = CHRYSLER (RHD)
S = SPORT
X = SPECIAL

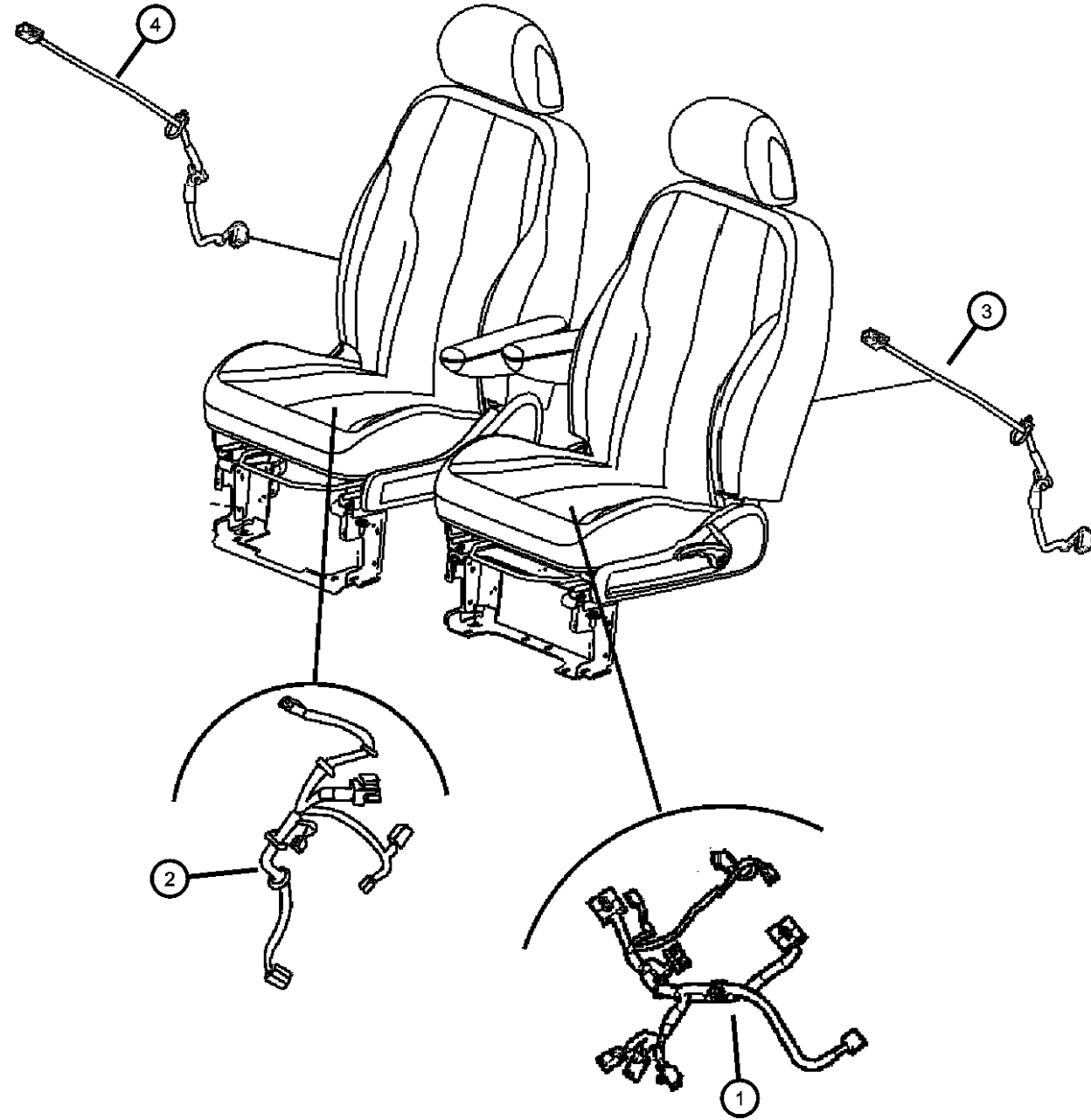
BODY
27 = 2-DR CONVERTIBLE
44 = HATCHBACK/QUAD
CAB CHASSIS LWB

ENGINE
EDJ = 2.2L 4 Cyl Turbo Diesel Engine
EDT = 2.4L 4 Cyl DOHC 16V Turbo Engine
EDV = 2.4L 4 Cyl DOHC 16V HO Turbo Engine
EDZ = 2.4L 4 Cyl DOHC 16V SMPI Engine
EJD = 1.6L 4 Cyl SOHC 16V SMPI

TRANSMISSION
DGL = 4-Speed Automatic Transmission
DD5 = 5-Speed Manual Transmission
DDD = 5-Speed HD Manual Transmission

AR = use ase required - = Non illustrated part

**Wiring Seats
Figure 8-1515**



ITEM	PART NUMBER	QTY	LINE	SERIES	BODY	ENGINE	TRANS	TRIM	DESCRIPTION
1									WIRING, Power Seat
	05175737AA	1	C		44				[ASM,Manual, Domestic][Tag 1109893], Drivers Side
	05175744AA	1	C		27				[ASM,Power,Domestic][Tag 1109894], Drivers Side
		1	C		27				[ASM,Manual, Domestic][Tag 1109893], Drivers Side
		1	C		44				[ASM,Power,Domestic][Tag 1109894], Drivers Side
	05175757AA	1	Z		44	EAD			[ASM,Power,BUX][Tag 1194543], Drivers Side
	05175758AA	1	C		44	EAG			[ASM,Power,BUX][Tag 1109896], Drivers Side
		1	C		44	EAD			[ASM,Power,BUX][Tag 1109896], Drivers Side
	05175753AA	1	C		27				[ASM,Power,Domestic,Heated Seat][Tag 1109895], Drivers Side
		1	C		44				[ASM,Power,Domestic,Heated Seat][Tag 1109895], Drivers Side
		1	Z		44	EAG			[ASM,Power,BUX][Tag 1194543], Drivers Side
	05175883AA	1	Z		44	EAD			[ASM,Power,BUX][Tag 1194546], Drivers Side
		1	Z		44	EAG			[ASM,Power,BUX][Tag 1194546], Drivers Side
2									WIRING, Power Seat
	05175724AA	1	C		44				[ASM,Manual,Domestic][tag 1110014], Passenger Side
		1	C		27				[ASM,Manual,Domestic][tag 1110014], Passenger Side
	05175879AA	1	C		27				[ASM,Manual,Heat,BUX][tag 1110016], Passenger Side
		1	C		44	EAG			[ASM,Manual,Heat,BUX][tag 1110016], Passenger Side
		1	Z		44	EAG			[ASM,Manual,Heat,BUX][tag 1110016], Passenger Side
		1	C		44	EAD			[ASM,Manual,Heat,BUX][tag 1110016], Passenger Side
		1	Z		44	EAD			[ASM,Manual,Heat,BUX][tag 1110016], Passenger Side
	05175754AA	1	C		27				[ASM,Manual,Heat,Domestic][tag 1110015], Passenger Side

PT CRUISER (PT)

SERIES LINE
H = HIGHLINE C = CHRYSLER
P = PREMIUM Z = CHRYSLER (RHD)
S = SPORT
X = SPECIAL

BODY
27 = 2-DR CONVERTIBLE
44 = HATCHBACK/QUAD CAB CHASSIS LWB

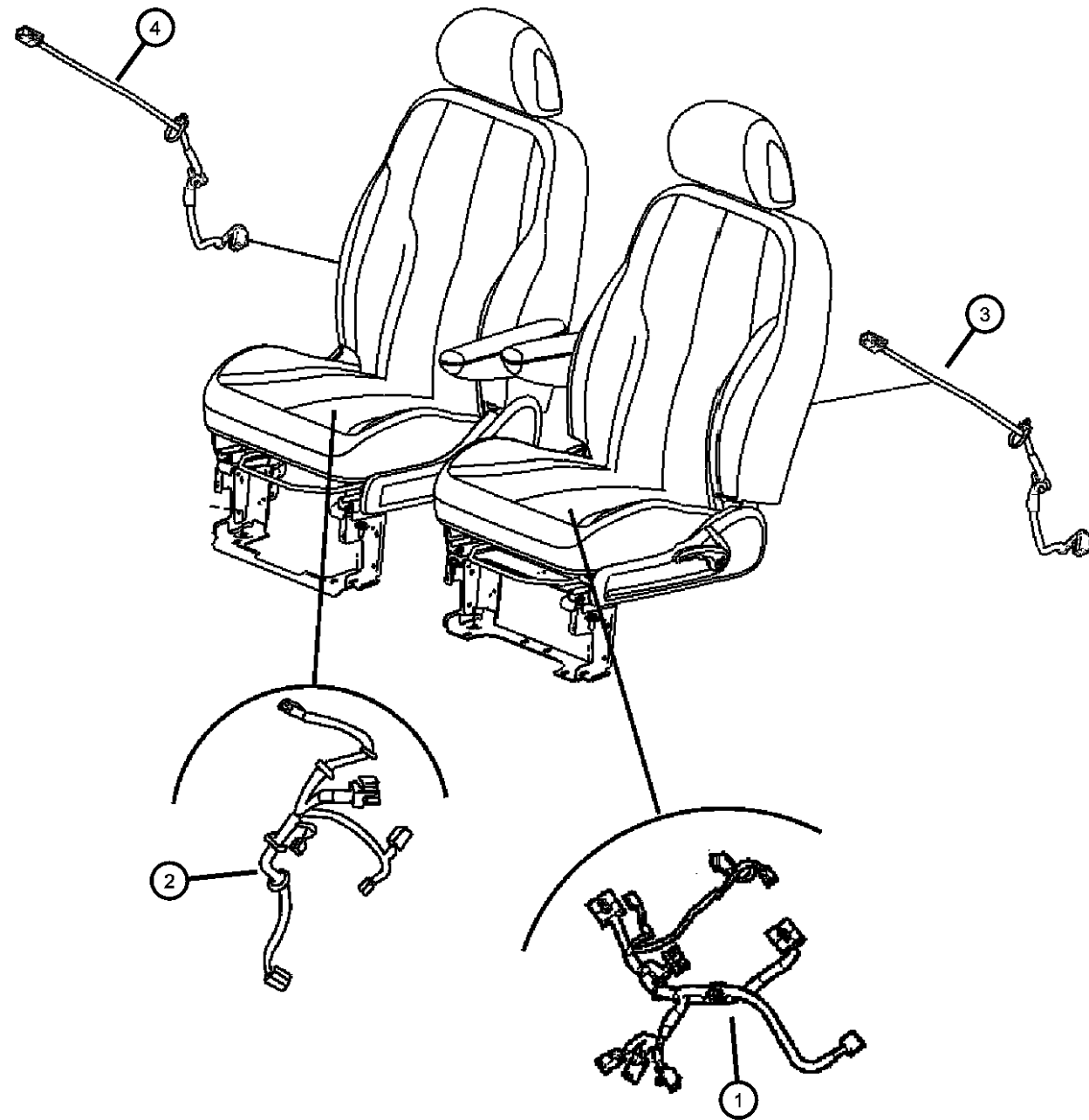
ENGINE
EDJ = 2.2L 4 Cyl Turbo Diesel Engine
EDT = 2.4L 4 Cyl DOHC 16V Turbo Engine
EDV = 2.4L 4 Cyl DOHC 16V HO Turbo Engine
EDZ = 2.4L 4 Cyl DOHC 16V SMPI Engine
EJD = 1.6L 4 Cyl SOHC 16V SMPI

TRANSMISSION
DGL = 4-Speed Automatic Transmission
DD5 = 5-Speed Manual Transmission
DDD = 5-Speed HD Manual Transmission

AR = use ase required - = Non illustrated part

2006 PT

Wiring Seats
Figure 8-1515



ITEM	PART NUMBER	QTY	LINE	SERIES	BODY	ENGINE	TRANS	TRIM	DESCRIPTION
		1	C		44				[ASM,Manual,Heat,Domes- tic][tag 1110015], Passenger Side
3	05175749AA	1	C		44				WIRING, Seat Back With Fold Flat Seats, Passenger Side
		1	Z		44	EAG			With Fold Flat Seats, Passenger Side
4	05175742AA	1	C		44				WIRING, Seat Back Tag #1194530, Drivers Side
		1	Z		27				Tag #1194530, Drivers Side
		1	C		27				Tag #1194530, Drivers Side
	05175750AA	1	C		44				Tag #1109898, Drivers Side
		1	C		27				Tag #1109898, Drivers Side

PT CRUISER (PT)

SERIES LINE
H = HIGHLINE C = CHRYSLER
P = PREMIUM Z = CHRYSLER (RHD)
S = SPORT
X = SPECIAL

BODY
27 = 2-DR CONVERTIBLE
44 = HATCHBACK/QUAD
CAB CHASSIS LWB

ENGINE
EDJ = 2.2L 4 Cyl Turbo Diesel Engine
EDT = 2.4L 4 Cyl DOHC 16V Turbo Engine
EDV = 2.4L 4 Cyl DOHC 16V HO Turbo Engine
EDZ = 2.4L 4 Cyl DOHC 16V SMPI Engine
EJD = 1.6L 4 Cyl SOHC 16V SMPI

TRANSMISSION
DGL = 4-Speed Automatic Transmission
DD5 = 5-Speed Manual Transmission
DDD = 5-Speed HD Manual Transmission

AR = use ase required - = Non illustrated part

2006 PT

**Wiring Repair
Figure 8-1605**

ITEM	PART NUMBER	QTY	LINE	SERIES	BODY	ENGINE	TRANS	TRIM	DESCRIPTION
									ECC = 2.0 DOHC EDZ = 2.4 DOHC
-1		1							WIRING PACKAGE, Underhood Connector Repair, For Electrical Connector Repair Information visit the World Wide Web at http://dto.vftis.com/mopar/disclaimer.asp , (NOT SERVICED),
-2	06102206AA	1							SCREW, Hex Flange Head, M6.3x1.81x16, Engine Ground
-3	06505171AA	2							NUT, U Multi Thread, M6 x 1.00
-4	04794880AA	1	C			EDT, EDV			SHIELD, Wiring, Oil sensor connector
-5									SHIELD, Wiring
	04671701AF	1				EDZ			
	04794510AC	1			44	EJD			
-6									CLIP, Eng.
	04602128	2				EDT, EDZ			
	04794373AC	1				EJD			
-7	06101799	1				EJD			
-8	06102085AA	1							BOLT AND WASHER, Hex Head, M8x1.25x20, Engine body ground
									SCREW AND WASHER, Hex Head, M8x1.25x20, Engine Wiring Clip attaching
-9	06036359AA	2				EJD			WASHER, Flat, Round, ID.301, OD.610, THK.068
-10	04759514AB	3	C						GROMMET
-11									STRAP, Tie
	05073039AA	2				EDJ			
		1				EDZ			
	06036396AA	AR							Engine to Instrument Panel Repair
-12									CLIP, Wiring
	04717297AB	1							Siren wiring
	04794513AB	1				EDT, EDV, EDZ			Starter
	04794661AB	1				EDZ			MAP Sensor attaching
-13									CLIP

For Electrical Connector Repair Information visit the World Wide Web at

<http://dto.vftis.com/mopar/disclaimer.asp>

PT CRUISER (PT)

SERIES	LINE	BODY	ENGINE	TRANSMISSION
H = HIGHLINE	C = CHRYSLER	27 = 2-DR CONVERTIBLE	EDJ = 2.2L 4 Cyl Turbo Diesel Engine	DGL = 4-Speed Automatic Transmission
P = PREMIUM	Z = CHRYSLER (RHD)	44 = HATCHBACK/QUAD CAB CHASSIS LWB	EDT = 2.4L 4 Cyl DOHC 16V Turbo Engine	DD5 = 5-Speed Manual Transmission
S = SPORT			EDV = 2.4L 4 Cyl DOHC 16V HO Turbo Engine	DDD = 5-Speed HD Manual Transmission
X = SPECIAL			EDZ = 2.4L 4 Cyl DOHC 16V SMPI Engine	
			EJD = 1.6L 4 Cyl SOHC 16V SMPI	

AR = use ase required - = Non illustrated part

2006 PT

**Wiring Repair
Figure 8-1605**

ITEM	PART NUMBER	QTY	LINE	SERIES	BODY	ENGINE	TRANS	TRIM	DESCRIPTION
	04795062AA	1			27				
	05080149AA	1				EDJ			Oil temp sending unit
-14									TAPE, Radio Connector, Foam
	04274258	1			44	EDJ			
		1					DD5		
-15	04671709AA	1							BRACKET, 26 Way Connector
-16	06016020	AR							STRAP, Tie
-17	04794707AA	1				EDZ			CLIP, Wiring

For Electrical Connector Repair Information visit
the World Wide Web at

<http://dto.vftis.com/mopar/disclaimer.asp>

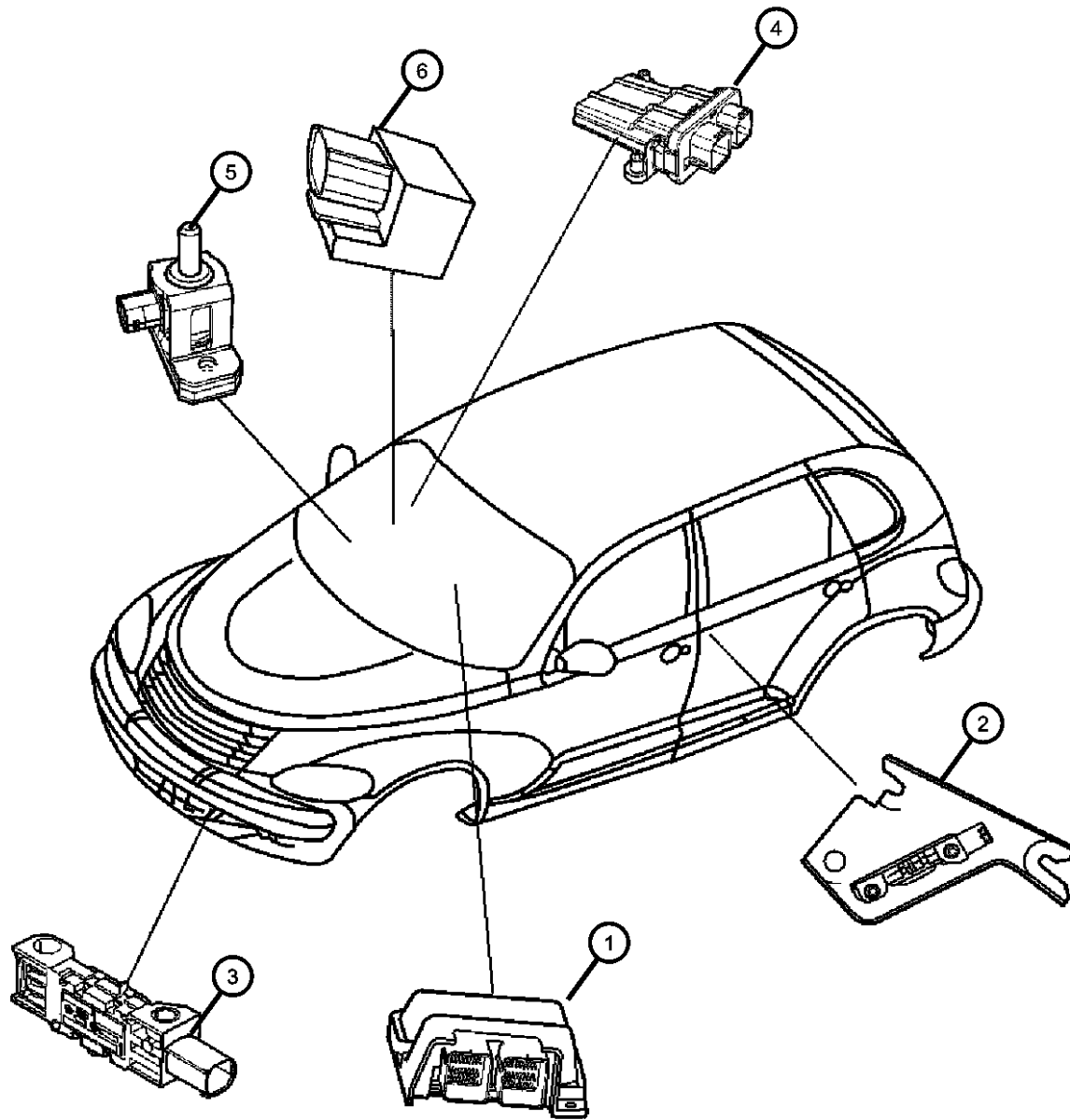
PT CRUISER (PT)

SERIES	LINE	BODY	ENGINE	TRANSMISSION
H = HIGHLINE	C = CHRYSLER	27 = 2-DR CONVERTIBLE	EDJ = 2.2L 4 Cyl Turbo Diesel Engine	DGL = 4-Speed Automatic Transmission
P = PREMIUM	Z = CHRYSLER (RHD)	44 = HATCHBACK/QUAD CAB CHASSIS LWB	EDT = 2.4L 4 Cyl DOHC 16V Turbo Engine	DD5 = 5-Speed Manual Transmission
S = SPORT			EDV = 2.4L 4 Cyl DOHC 16V HO Turbo Engine	DDD = 5-Speed HD Manual Transmission
X = SPECIAL			EDZ = 2.4L 4 Cyl DOHC 16V SMPI Engine	
			EJD = 1.6L 4 Cyl SOHC 16V SMPI	

AR = use ase required - = Non illustrated part

2006 PT

Air Bag Modules and Sensors
Figure 8-1705



ITEM	PART NUMBER	QTY	LINE	SERIES	BODY	ENGINE	TRANS	TRIM	DESCRIPTION
1	04714680AD	1			44				MODULE, Occupant Restraint [CG3,CJ1]
	04714681AD	1			44				[CG1,CJ1]
	04714682AD	1							[CG3]
	04714684AD	1			27				[CG3,CJ1]
	04714685AD	1			27				[CG1,CJ1]
2	04671779AC	2			44				SENSOR, Side Airbag Impact
	04686957AC	2			27				
3	04686957AC	2							SENSOR, Side Airbag Impact
4	05084006AH	1	C		44				MODULE, Occupant Classification
		1	C		27				
5	04606947AH	4	C		44				SENSOR, Strain Gauge
		4	C		27				
6	05084008AA	2	C		44				SENSOR, Seat Position
		2	C		27				
7	52029338AB	1							KNEEBLOCKER, Steering Column Opening, Inflatable

PT CRUISER (PT)

SERIES LINE
H = HIGHLINE C = CHRYSLER
P = PREMIUM Z = CHRYSLER (RHD)
S = SPORT
X = SPECIAL

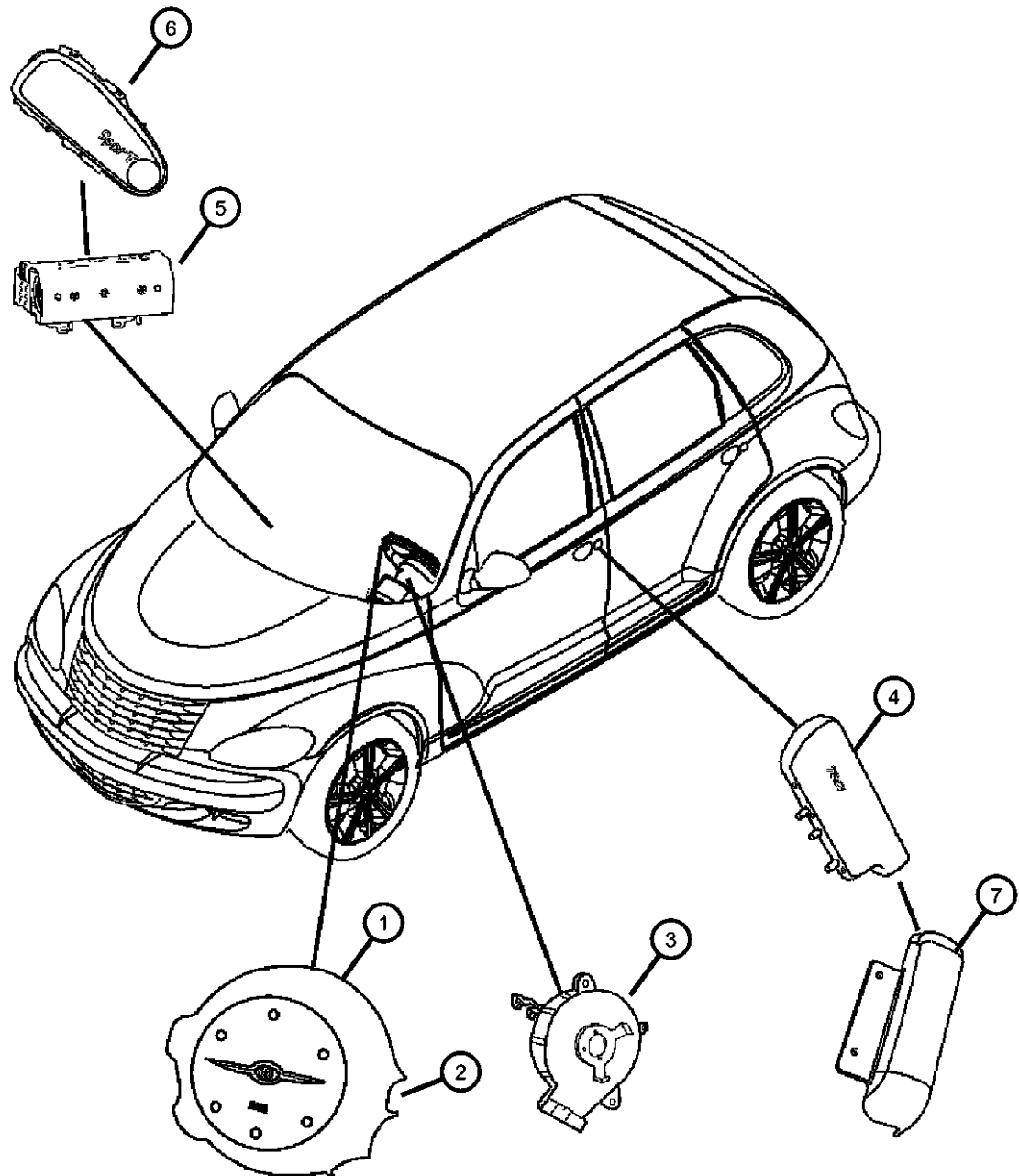
BODY
27 = 2-DR CONVERTIBLE
44 = HATCHBACK/QUAD
CAB CHASSIS LWB

ENGINE TRANSMISSION
EDJ = 2.2L 4 Cyl Turbo Diesel Engine
EDT = 2.4L 4 Cyl DOHC 16V Turbo Engine
EDV = 2.4L 4 Cyl DOHC 16V HO Turbo Engine
EDZ = 2.4L 4 Cyl DOHC 16V SMPI Engine
EJD = 1.6L 4 Cyl SOHC 16V SMPI
DGL = 4-Speed Automatic Transmission
DD5 = 5-Speed Manual Transmission
DDD = 5-Speed HD Manual Transmission

AR = use ase required - = Non illustrated part

2006 PT

Air Bags and Clockspring
Figure 8-1710



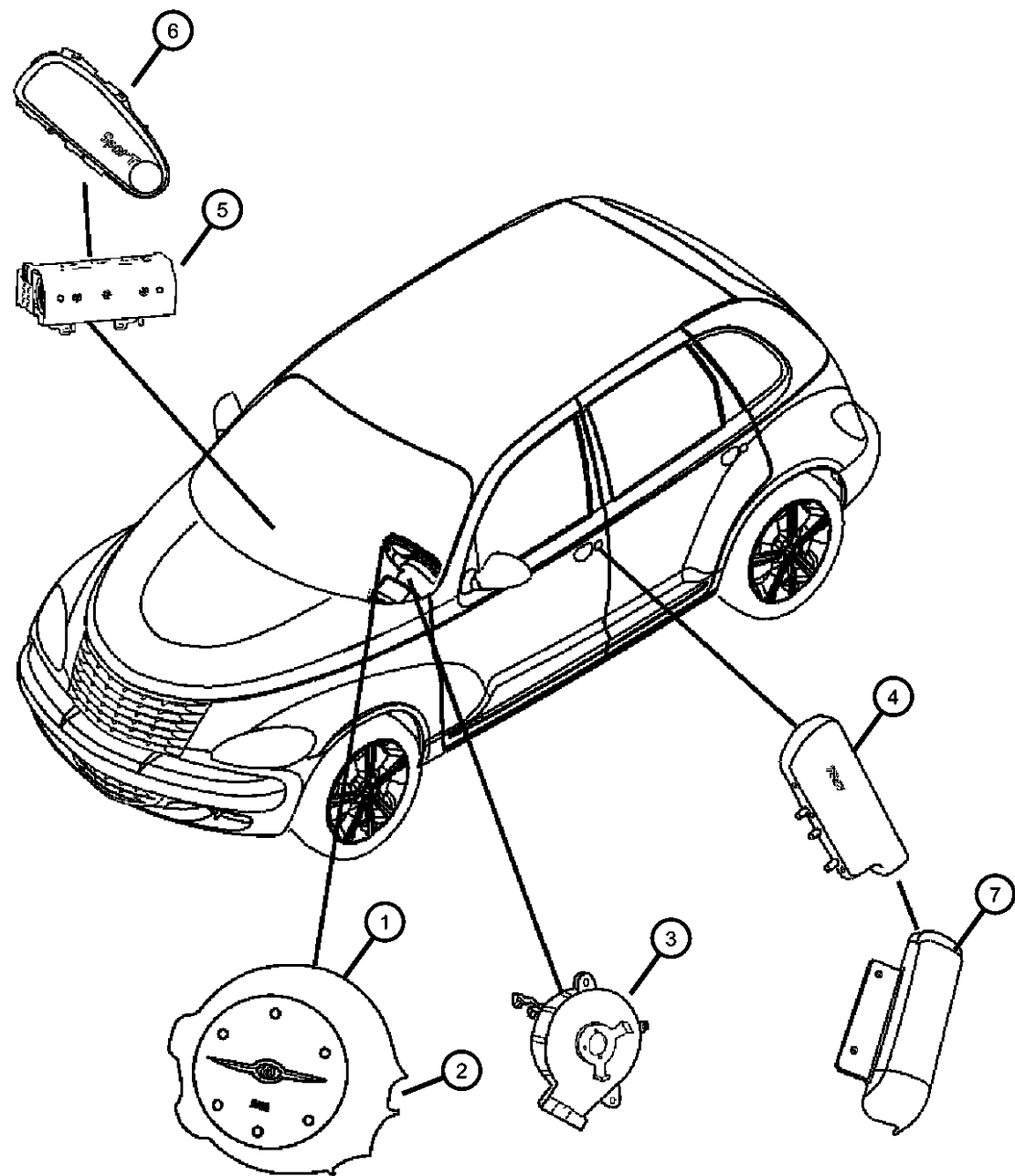
ITEM	PART NUMBER	QTY	LINE	SERIES	BODY	ENGINE	TRANS	TRIM	DESCRIPTION
1	0ZE64DK5AE	1	C, Z		27, 44				AIR BAG, Driver [KA] Up to 03/22/06
	0ZE64XDHAE	1	C, Z		27, 44				[DA] Up to 03/22/06
	0ZE64DK5AF	1	C, Z		27, 44				[KA] After 03/22/06
	0ZE64XDHAF	1	C, Z		27, 44				[DA] After 03/22/06
2	1BS56BDAAB	1							COVER, Air Bag Module [DA] Up to 06/30/05, Driver Air Bag
	1BS56DK5AB	1	C, Z		27, 44				[DA] After 06/30/05,
	1BS56DKAAB	1							[KA] Up to 06/30/05, Driver Air Bag
	1BS56XDHAB	1	C, Z		27, 44				[KA] After 06/30/05
3	05175900AA	1			27				CLOCKSPRING Up to 01/10/06
		1			44				Up to 01/10/06
	05183959AA	1			44				After 01/10/06
		1			27				After 01/10/06
4	04645986AA	2	C		44				AIR BAG, Seat
		2	Z		44	EAG			
		2	Z		44	EAD			
	04664289AA	1	C		44				[JP8,CJ1]
5	52029311AC	1							AIR BAG, Passenger
6	0YW781B5AF	1	C						COVER, Air Bag Module [B5]
	0YW781B6AF	1	C						[B6]
	0YW781FFAF	1	C						[FF]
	0YW781PKAF	1	C						[PK]
	0YW781RHAF	1	C						[RH]
	0YW781S2AF	1	C						[S2]
	0YW781YHAF	1	C						[YH]
	0YW791B5AF	1	Z						[B5]
	0YW791B6AF	1	Z						[B6]

PT CRUISER (PT)

SERIES	LINE	BODY	ENGINE	TRANSMISSION
H = HIGHLINE	C = CHRYSLER	27 = 2-DR CONVERTIBLE	EDJ = 2.2L 4 Cyl Turbo Diesel Engine	DGL = 4-Speed Automatic Transmission
P = PREMIUM	Z = CHRYSLER (RHD)	44 = HATCHBACK/QUAD CAB CHASSIS LWB	EDT = 2.4L 4 Cyl DOHC 16V Turbo Engine	DD5 = 5-Speed Manual Transmission
S = SPORT			EDV = 2.4L 4 Cyl DOHC 16V HO Turbo Engine	DDD = 5-Speed HD Manual Transmission
X = SPECIAL			EDZ = 2.4L 4 Cyl DOHC 16V SMPI Engine	
			EJD = 1.6L 4 Cyl SOHC 16V SMPI	

AR = use ase required - = Non illustrated part

**Air Bags and Clockspring
Figure 8-1710**



ITEM	PART NUMBER	QTY	LINE	SERIES	BODY	ENGINE	TRANS	TRIM	DESCRIPTION
	0YW791FFAF	1	Z						[FF]
	0YW791PKAF	1	Z						[PK]
	0YW791YHAF	1	Z						[YH]
	0YW791RHAF	1	Z						[RH]
	0YW791S2AF	1	Z						[S2]
7	05080848AA	1	C		44				COVER, A/B Frt Seat Back Right
	05080849AA	1	C		44				Left
-8	05139476AA	1	C		44				WIRING, Side Air Bag Jumper

PT CRUISER (PT)

SERIES LINE
H = HIGHLINE C = CHRYSLER
P = PREMIUM Z = CHRYSLER (RHD)
S = SPORT
X = SPECIAL

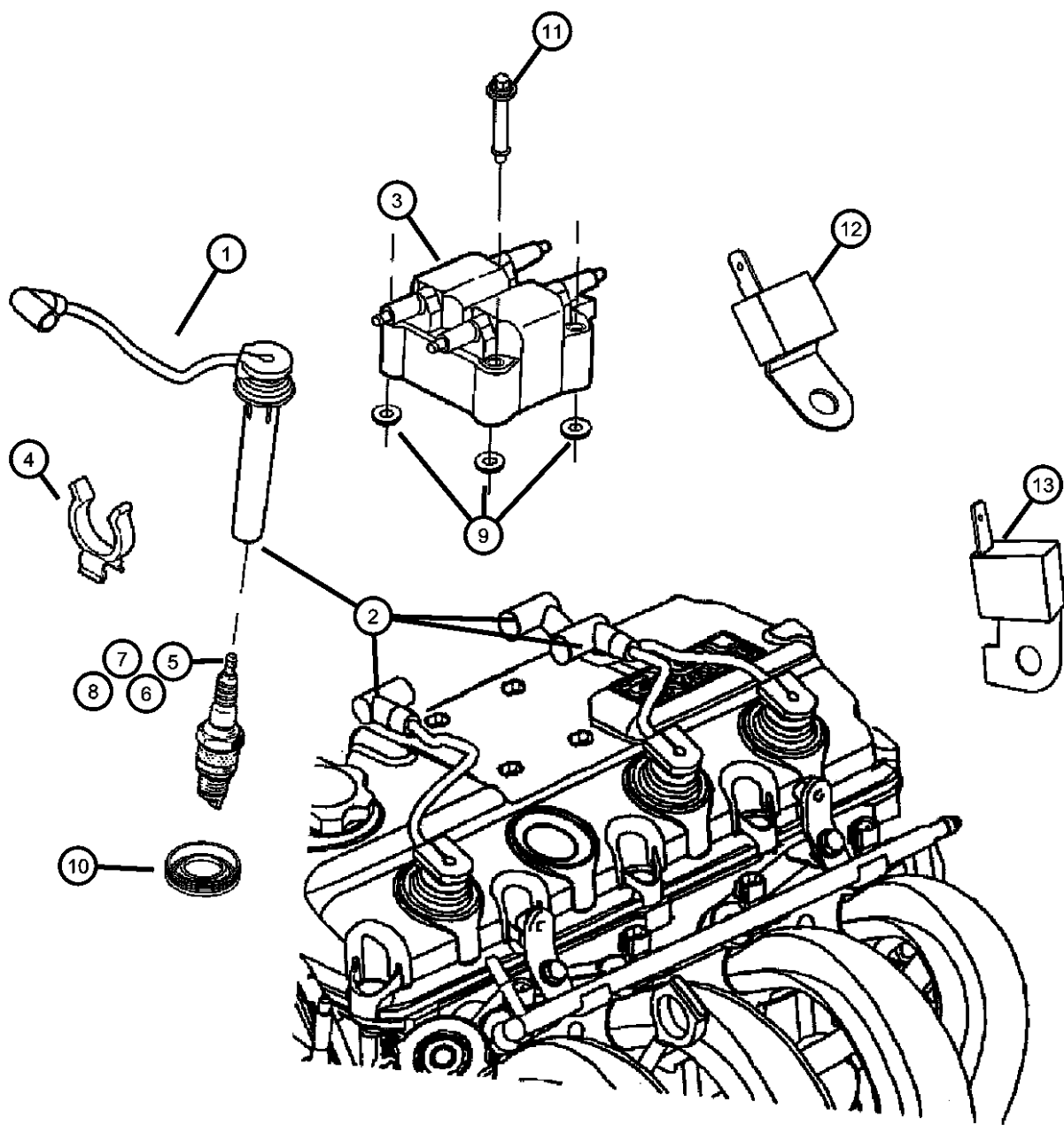
BODY
27 = 2-DR CONVERTIBLE
44 = HATCHBACK/QUAD
CAB CHASSIS LWB

ENGINE TRANSMISSION
EDJ = 2.2L 4 Cyl Turbo Diesel Engine
EDT = 2.4L 4 Cyl DOHC 16V Turbo Engine
EDV = 2.4L 4 Cyl DOHC 16V HO Turbo Engine
EDZ = 2.4L 4 Cyl DOHC 16V SMPI Engine
EJD = 1.6L 4 Cyl SOHC 16V SMPI
DGL = 4-Speed Automatic Transmission
DD5 = 5-Speed Manual Transmission
DDD = 5-Speed HD Manual Transmission

AR = use ase required - = Non illustrated part

2006 PT

Sparkplugs, Cables, Coils
Figure 8-1905



ITEM	PART NUMBER	QTY	LINE	SERIES	BODY	ENGINE	TRANS	TRIM	DESCRIPTION
1	05033216AC	1				EJD			CABLE, Ignition
	05033217AC	1				EJD			[#1]
	05033218AC	1				EJD			[#2]
	05033219AC	1				EJD			[#3]
	05033233AD	4				EDZ			[#4]
		3				EDT, EDV			[#1,2,3]
	05033266AB	1				EDT, EDV			[#4]
2	05018394AG	3				EDT, EDV			CABLE PACKAGE, Ignition
	05136001AB	1				EDT, EDV			
3	04609103AB	1				EDT, EDV, EDZ			COIL, Ignition
	05269670AB	1				EJD			
4	05269670AB	1							SEPERATOR, Ignition Cable, (NOT REQUIRED)
5	S3RE14MCC5	4				EDT, EDV			SPARK PLUG
6	SP00RC9MCC	4				EJD			SPARK PLUG, RC-9-MCC
7	04606402AD	4				EDT, EDV			SPARK PLUG, RE-14MC-C5
8	SP00RE16MC	4				EDZ			SPARK PLUG, RE16MC
9	04693243AA	4				EJD			ISOLATOR, Ignition coil
10	04621851	4				EDT, EDV			SEAL, Spark Plug Tube
11	06502921	4				EDT, EDV, EDZ			SCREW, Coil mounting
12	04606866AA	1				EDT, EDV			CAPACITOR, Ignition
13	04606881AA	1				EDZ			CAPACITOR, Radio Noise Suppression

PT CRUISER (PT)

SERIES LINE
H = HIGHLINE C = CHRYSLER
P = PREMIUM Z = CHRYSLER (RHD)
S = SPORT
X = SPECIAL

BODY
27 = 2-DR CONVERTIBLE
44 = HATCHBACK/QUAD
CAB CHASSIS LWB

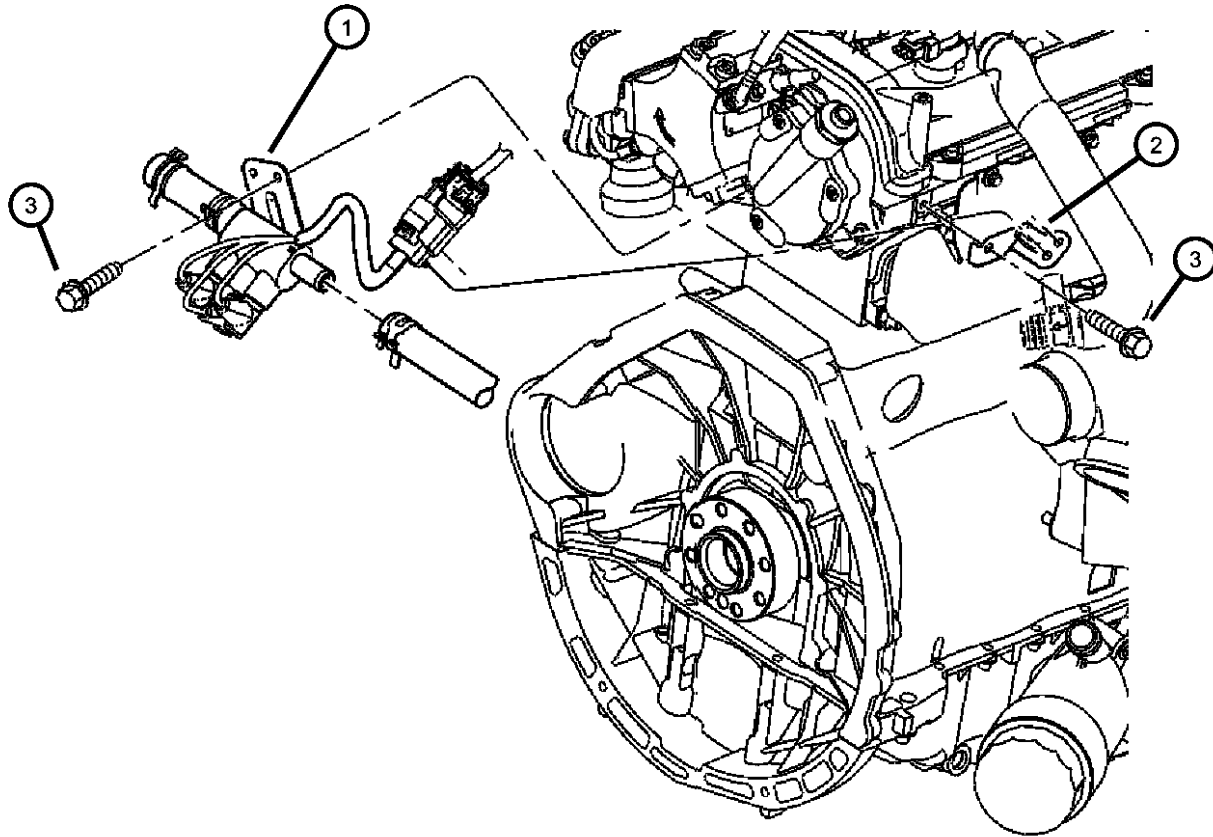
ENGINE
EDJ = 2.2L 4 Cyl Turbo Diesel Engine
EDT = 2.4L 4 Cyl DOHC 16V Turbo Engine
EDV = 2.4L 4 Cyl DOHC 16V HO Turbo Engine
EDZ = 2.4L 4 Cyl DOHC 16V SMPI Engine
EJD = 1.6L 4 Cyl SOHC 16V SMPI

TRANSMISSION
DGL = 4-Speed Automatic Transmission
DD5 = 5-Speed Manual Transmission
DDD = 5-Speed HD Manual Transmission

AR = use ase required - = Non illustrated part

**Glow Plugs
Figure 8-1910**

ITEM	PART NUMBER	QTY	LINE	SERIES	BODY	ENGINE	TRANS	TRIM	DESCRIPTION
1	05080047AB	4				EDJ			PLUG, Glow
2	05058012AD	1				EDJ			BRACKET, Glow Plug Mtg.
3	06505728AA	1				EDJ			SCREW AND WASHER, Hex Head, M6x1x17
4	05033375AA	1				EDJ			MODULE, Glow Plug
5	04801412AA	1				EDJ			WIRING, Glow Plug



PT CRUISER (PT)

SERIES LINE
H = HIGHLINE C = CHRYSLER
P = PREMIUM Z = CHRYSLER (RHD)
S = SPORT
X = SPECIAL

BODY
27 = 2-DR CONVERTIBLE
44 = HATCHBACK/QUAD
CAB CHASSIS LWB

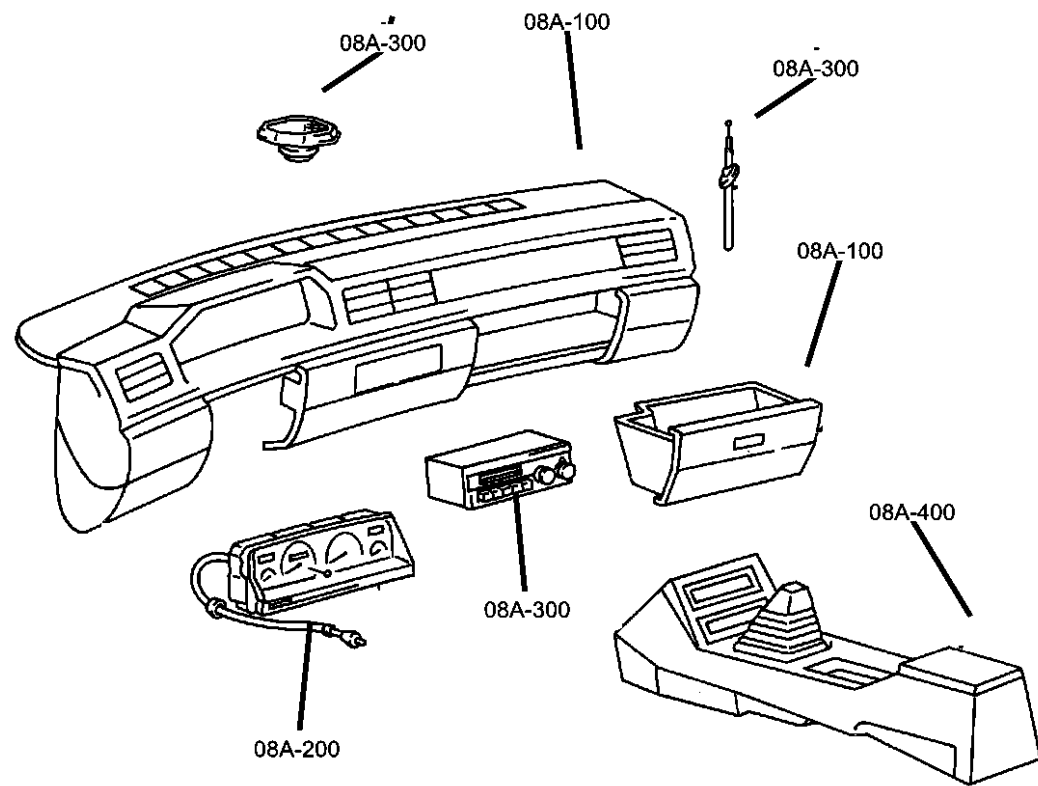
ENGINE TRANSMISSION
EDJ = 2.2L 4 Cyl Turbo Diesel Engine
EDT = 2.4L 4 Cyl DOHC 16V Turbo Engine
EDV = 2.4L 4 Cyl DOHC 16V HO Turbo Engine
EDZ = 2.4L 4 Cyl DOHC 16V SMPI Engine
EJD = 1.6L 4 Cyl SOHC 16V SMPI
DGL = 4-Speed Automatic Transmission
DD5 = 5-Speed Manual Transmission
DDD = 5-Speed HD Manual Transmission

AR = use ase required - = Non illustrated part

2006 PT

Group - 08A

Instrument Panel and Radios and Consoles



Group - 08A Instrument Panel and Radios and Consoles

Illustration Title

Group-Fig. No.

Instrument Panel

Instrument Panel Fig. 08A - 105

Instrument Panel Cluster

Cluster, Instrument Panel..... Fig. 08A - 205

Radio, Antenna, and Speakers

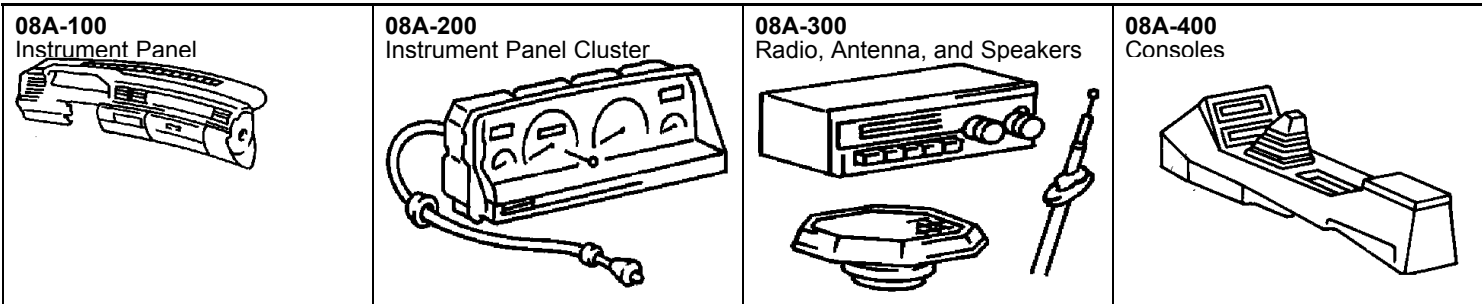
Radio..... Fig. 08A - 305

Antenna..... Fig. 08A - 310

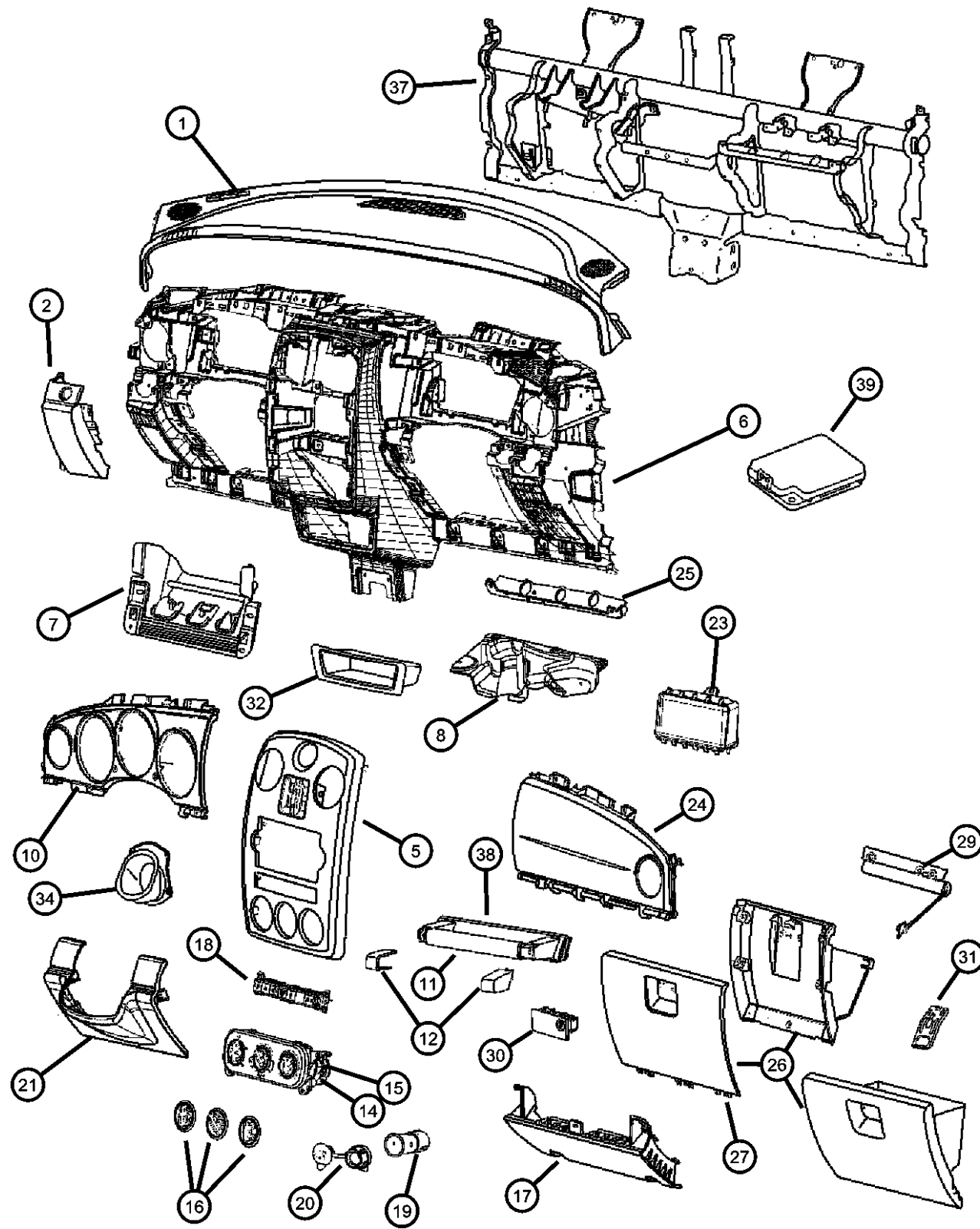
Speakers..... Fig. 08A - 315

Consoles

Console, Floor..... Fig. 08A - 405



**Instrument Panel
Figure 08A-105**



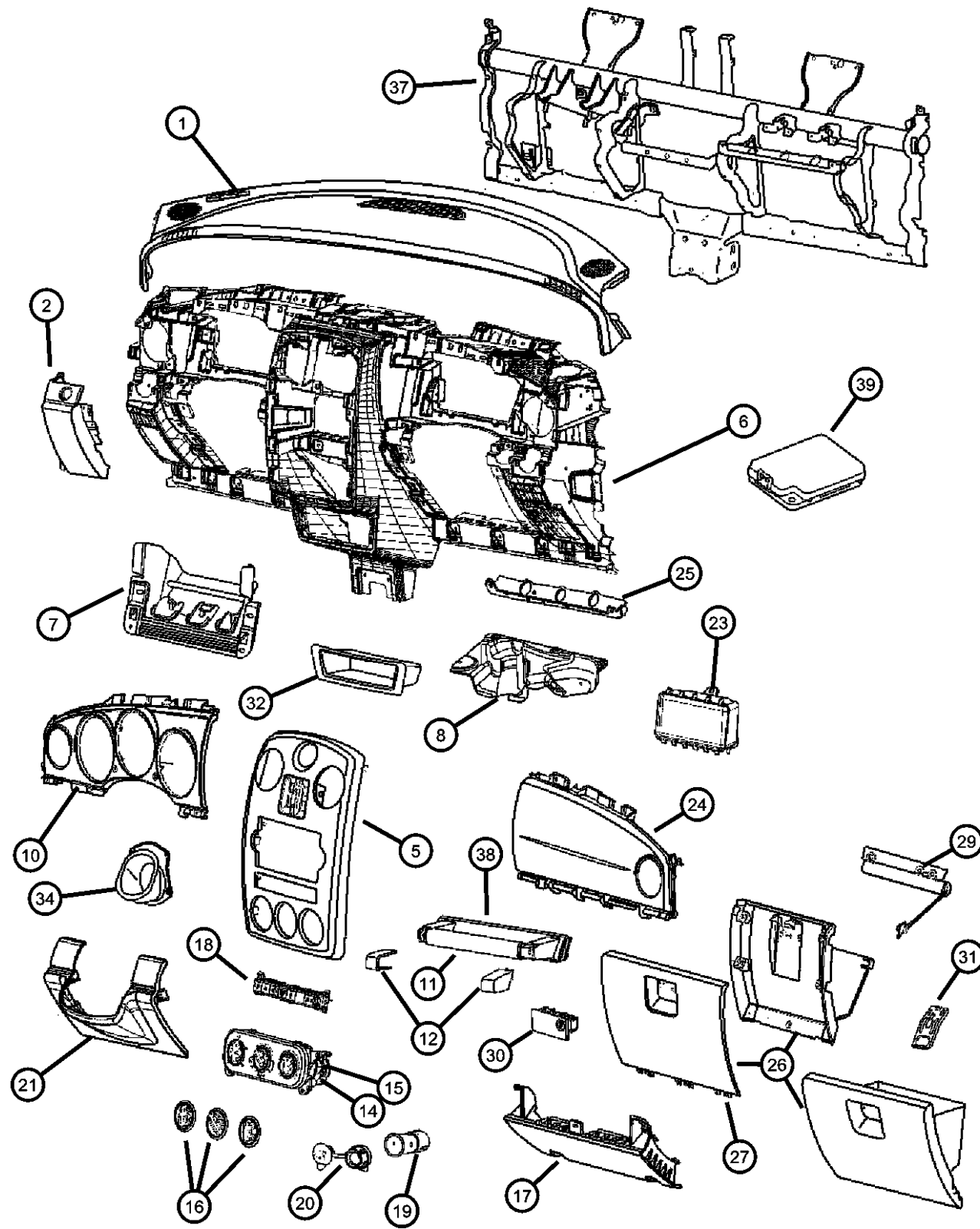
ITEM	PART NUMBER	QTY	LINE	SERIES	BODY	ENGINE	TRANS	TRIM	DESCRIPTION
1	0YW75DK5AC	1	C, Z		27, 44				COVER, Instrument Panel [KA]
	0YW75XD-HAC	1	C, Z		27, 44				[DA]
2	0YW86BDAAC	1	C						CAP, Instrument Panel End [DA], Right, Export
	0YW86DKAAC	1	C						[KA], Right, Export
	0YW87BDAAC	1	C						[DA][GTS,GUR,GTN], Left
	0YW87DKAAC	1	C						[KA][GTS,GUR,GTN], Left
	0YW89BDAAC	1	Z						[DA], Left
	0YW90DKAAC	1	Z						[KA], Right
	1DK41BDAAA	1	C						[DA][GTE], Left
	1DK41DKAAA	1	C						[KA][GTE], Left
	1DK44BDAAA	1	C						[DA], Right
	0YW89DKAAC	1	Z						[KA], Left
	0YW90BDAAC	1	Z						[DA], Right
	1DK44DKAAA	1	C						[KA], Right
-3	06504301	1	C						CLIP, Moulding Top cover mounting
		1	Z						Top cover mounting
-4	68001504AA	1	Z		27, 44				CLIP, Instrument Panel Olive green
		1	C		27, 44				Olive green
5	0YW821Z2AE	1	C, Z		44				BEZEL, Instrument Panel, Center [JBM]
	0YW821AAAF	1	C, Z		44				[JBQ]
	1BQ541AAAD	1			27				[JBQ]
	1BQ541Z2AD	1			27				[JBM]
	1EK701AAAA	1	C, Z		27				[JBQ,RC6]
	1EK701Z2AA	1	C, Z		27				[JBM,RC6]
	1EK721AAAB	1	C, Z		44				[JBQ,RC2]
	1EK721Z2AB	1	C, Z		44				[JBM,RC2]

PT CRUISER (PT)

SERIES	LINE	BODY	ENGINE	TRANSMISSION
H = HIGHLINE	C = CHRYSLER	27 = 2-DR CONVERTIBLE	EDJ = 2.2L 4 Cyl Turbo Diesel Engine	DGL = 4-Speed Automatic Transmission
P = PREMIUM	Z = CHRYSLER (RHD)	44 = HATCHBACK/QUAD CAB CHASSIS LWB	EDT = 2.4L 4 Cyl DOHC 16V Turbo Engine	DD5 = 5-Speed Manual Transmission
S = SPORT			EDV = 2.4L 4 Cyl DOHC 16V HO Turbo Engine	DDD = 5-Speed HD Manual Transmission
X = SPECIAL			EDZ = 2.4L 4 Cyl DOHC 16V SMPI Engine	
			EJD = 1.6L 4 Cyl SOHC 16V SMPI	

AR = use ase required - = Non illustrated part

Instrument Panel
Figure 08A-105



ITEM	PART NUMBER	QTY	LINE	SERIES	BODY	ENGINE	TRANS	TRIM	DESCRIPTION
6	1DD141DAAA	1	C						PANEL, Instrument [DA]
	1DD141KAAA	1	C						[KA]
7	05023857AB	1							REINFORCEMENT, Instrument Panel
8	05023919AA	1	C						PANEL, Instrument Panel Closeout
	05023920AA	1	Z						
-9	06032217	2							RIVET, .197 Grip-.187-.375
10	0YW801FFAE	1	C						BEZEL, Instrument Cluster [KBA] Up to 11/07/05
	0YW801PKAE	1	C						[KBP] Up to 11/07/05
	0YW801RHAE	1	C						[KBW] Up to 11/07/05
	0YW801S2AE	1	C						[KBD] Up to 11/07/05
	0YW801YHAE	1	C						[KBY] Up to 11/07/05
	0YW801B5AF	1	C						[KBF] After 11/07/05
	0YW801B6AF	1	C						[KBH] After 11/07/05
	0YW801FFAF	1	C						[KBA] After 11/07/05
	0YW801B5AE	1	C						[KBF] Up to 11/07/05
	0YW801B6AE	1	C						[KBH] Up to 11/07/05
	0YW801YHAF	1	C						[KBY] After 11/07/05
	0YW811B5AE	1	Z						[KBF] Up to 11/07/05
	0YW811B6AE	1	Z						[KBH] Up to 11/07/05
	0YW811FFAE	1	Z						[KBA] Up to 11/07/05
	0YW811PKAE	1	Z						[KBP] Up to 11/07/05
	0YW811RHAE	1	Z						[KBW] Up to 11/07/05
	0YW811S2AE	1	Z						[KBD] Up to 11/07/05
	0YW801PKAF	1	C						[KBP] After 11/07/05
	0YW801RHAF	1	C						[KBW][DA]
	0YW801RKAF	1	C						[KBW][KA]
	0YW801S2AF	1	C						[KBD][DA]

PT CRUISER (PT)
 SERIES LINE
 H = HIGHLINE C = CHRYSLER
 P = PREMIUM Z = CHRYSLER (RHD)
 S = SPORT
 X = SPECIAL

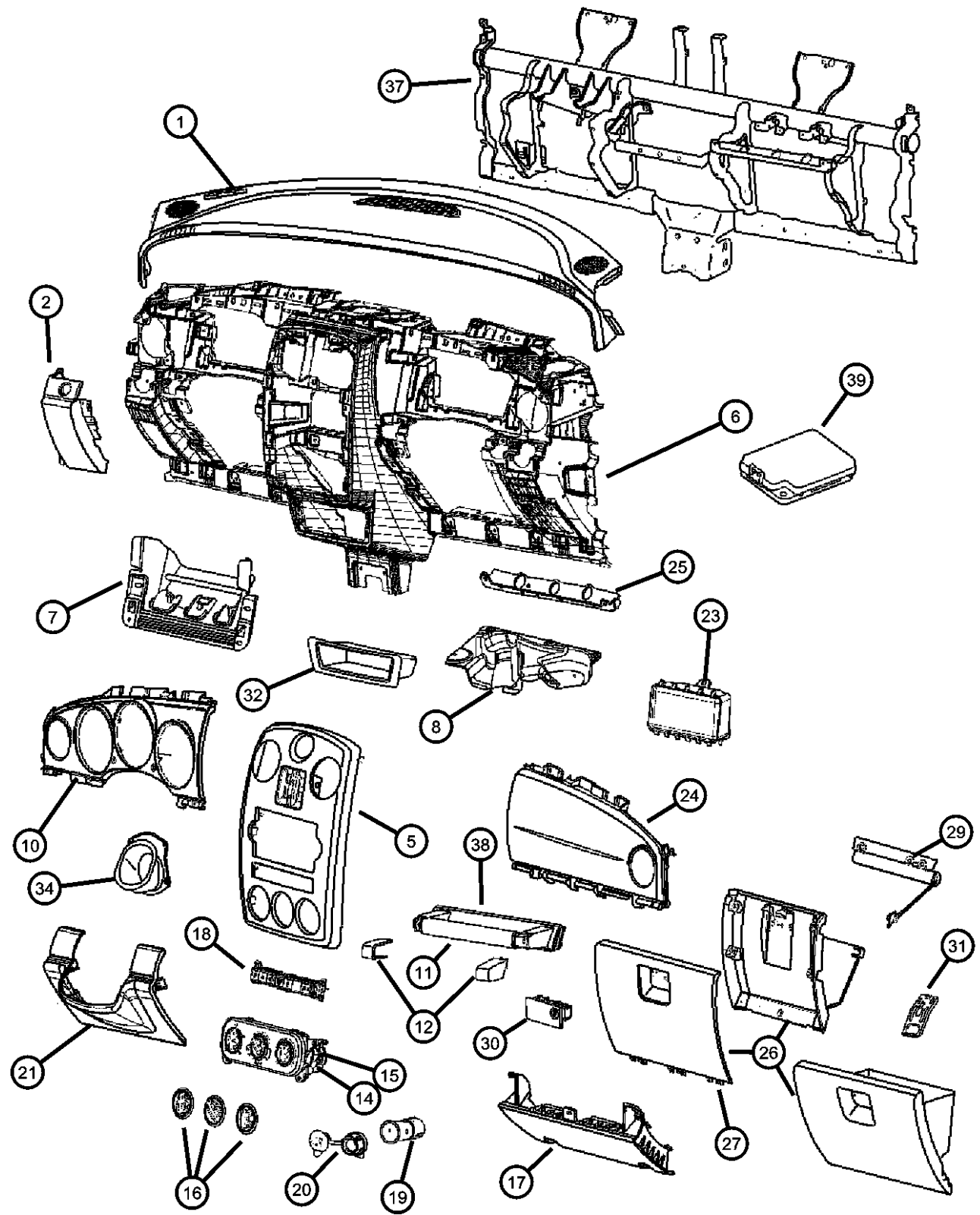
BODY
 27 = 2-DR CONVERTIBLE
 44 = HATCHBACK/QUAD CAB CHASSIS LWB

ENGINE
 EDJ = 2.2L 4 Cyl Turbo Diesel Engine
 EDT = 2.4L 4 Cyl DOHC 16V Turbo Engine
 EDV = 2.4L 4 Cyl DOHC 16V HO Turbo Engine
 EDZ = 2.4L 4 Cyl DOHC 16V SMPI Engine
 EJD = 1.6L 4 Cyl SOHC 16V SMPI

TRANSMISSION
 DGL = 4-Speed Automatic Transmission
 DD5 = 5-Speed Manual Transmission
 DDD = 5-Speed HD Manual Transmission

AR = use ase required - = Non illustrated part

**Instrument Panel
Figure 08A-105**



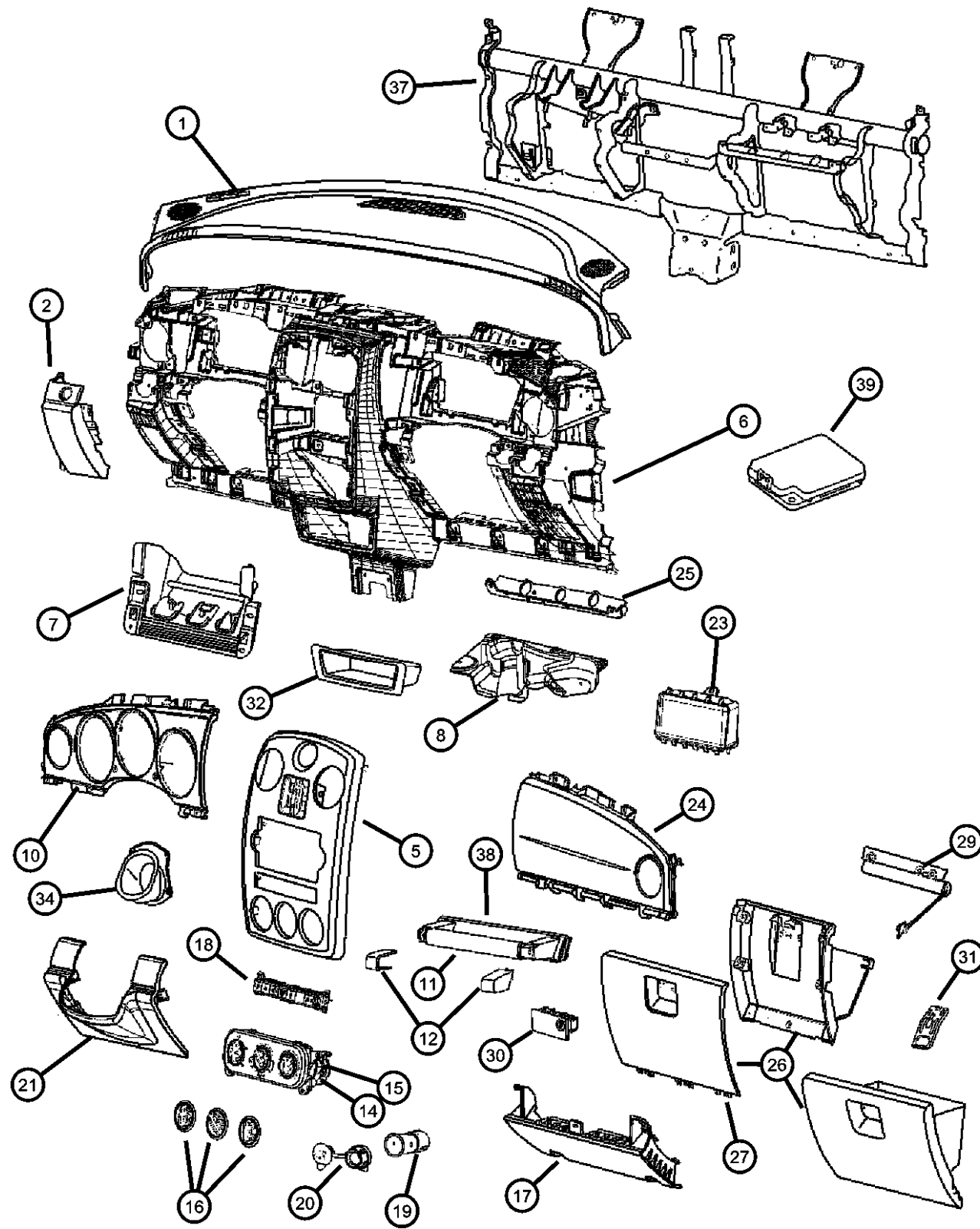
ITEM	PART NUMBER	QTY	LINE	SERIES	BODY	ENGINE	TRANS	TRIM	DESCRIPTION
	0YW801SKAF	1	C						[KBD][KA]
	0YW811RKAF	1	Z						[KBW][KA]
	0YW811S2AF	1	Z						[KBD][DA]
	0YW811SKAF	1	Z						[KBD][KA]
	0YW811YHAF	1	Z						[KBY] After 11/07/05
	0YW811YHAE	1	Z						[KBY] Up to 11/07/05
	0YW811B5AF	1	Z						[KBF] After 11/07/05
	0YW811B6AF	1	Z						[KBH] After 11/07/05
	0YW811FFAF	1	Z						[KBA] After 11/07/05
	0YW811PKAF	1	Z						[KBP] After 11/07/05
	0YW811RHAF	1	Z						[KBW][DA]
11									HANDLE, Grab
	1DW80BDAAA	1	C						[DA]
	1DW80DKAAA	1	C						[KA]
12									END CAP, Instrument Panel
	1BC24BDAAA	1	C						[DA] Grab handle end, Right
	1BC24DKAAA	1	C						[KA] Grab handle end, Right
	1BC25BDAAA	1	C						[DA] Grab handle end, Left
	1BC25DKAAA	1	C						[KA] Grab handle end, Left
-13	05183896AA	1	C						SUPPORT, Instrument Panel, Grab handle
14	55111844AD	1							CONTROL, A/C And Heater
15	55111845AD	1							CONTROL, Heater
16									KNOB, A/C or Heater Control - Rotary
	05179430AA	3							[HCD]
		3							[HAA]
17									PANEL, Knee Blocker
	0ZJ88BDAAC	1							[DA]
	0ZJ88DKAAC	1							[KA]
18									SWITCH, Pod
	04602659AC	1					27		[XCA,CMA]

PT CRUISER (PT)
 SERIES LINE BODY ENGINE TRANSMISSION
 H = HIGHLINE C = CHRYSLER 27 = 2-DR CONVERTIBLE EDJ = 2.2L 4 Cyl Turbo Diesel DGL = 4-Speed Automatic Transmission
 P = PREMIUM Z = CHRYSLER (RHD) 44 = HATCHBACK/QUAD CAB CHASSIS LWB EDT = 2.4L 4 Cyl DOHC 16V Turbo Engine DD5 = 5-Speed Manual Transmission
 S = SPORT EDV = 2.4L 4 Cyl DOHC 16V Turbo Engine DDD = 5-Speed HD Manual Transmission
 X = SPECIAL HO Turbo Engine
 EDZ = 2.4L 4 Cyl DOHC 16V SMPI Engine
 EJD = 1.6L 4 Cyl SOHC 16V SMPI

AR = use ase required - = Non illustrated part

2006 PT

Instrument Panel
Figure 08A-105



ITEM	PART NUMBER	QTY	LINE	SERIES	BODY	ENGINE	TRANS	TRIM	DESCRIPTION
	04602660AC	1			27				[XCA,CMA,BNM]
	04602661AC	1			44				[JKL]
	04602662AC	1			44				[JKL,BNM]
	04602653AC	1			44				[XCA]
	04602654AC	1			44				[XCA,BNM]
	04602655AC	1			44				[XCA,CMA]
	04602656AC	1			44				[XCA,CMA,BNM]
	04602657AC	1			27				[XCA]
	04602658AC	1			27				[XCA,BNM]
	04602663AC	1			44				[JKL,CMA]
	04602664AC	1			44				[JKL,CMA,BNM]
	04602665AC	1			44				Base
	04602666AC	1			44				[BNM]
	04602667AC	1			44				[CMA]
	04602668AC	1			44				[CMA,BNM]
	04602669AC	1			27				[JKL,CMA,BNM]
19	04793554AB	1							POWER OUTLET
20	04685591AD	1							CAP, Power Outlet
21									COVER, Steering Column
	0YW76DKAAC	1	C, Z		27, 44				[KA]
	0YW76BDAAC	1	C, Z		27, 44				[DA]
-22									CLIP, Moulding
	06504301	4	C, Z		27				Steering column cover mounting
		4	C, Z		44				Steering column cover mounting
23	52029311AC	1							AIR BAG, Passenger
24									COVER, Air Bag Module, SEE NOTE:
	0YW781B5AF	1	C						[KBF]
	0YW781B6AF	1	C						[KBH]
	0YW781FFAF	1	C						[KBA]
	0YW781PKAF	1	C						[KBP]

PT CRUISER (PT)
 SERIES LINE
 H = HIGHLINE C = CHRYSLER
 P = PREMIUM Z = CHRYSLER (RHD)
 S = SPORT
 X = SPECIAL

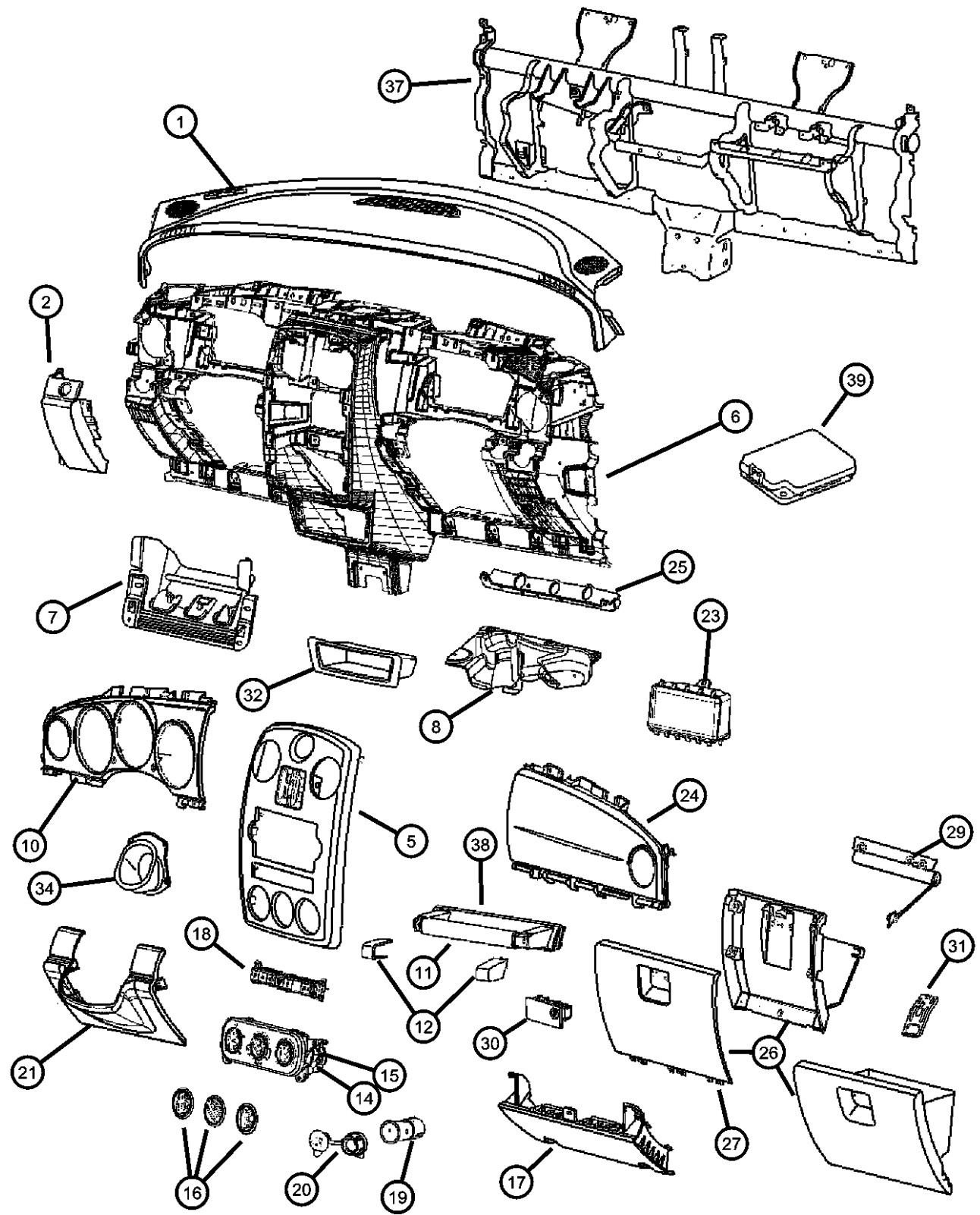
BODY
 27 = 2-DR CONVERTIBLE
 44 = HATCHBACK/QUAD CAB CHASSIS LWB

ENGINE
 EDJ = 2.2L 4 Cyl Turbo Diesel Engine
 EDT = 2.4L 4 Cyl DOHC 16V Turbo Engine
 EDV = 2.4L 4 Cyl DOHC 16V HO Turbo Engine
 EDZ = 2.4L 4 Cyl DOHC 16V SMPI Engine
 EJD = 1.6L 4 Cyl SOHC 16V SMPI

TRANSMISSION
 DGL = 4-Speed Automatic Transmission
 DD5 = 5-Speed Manual Transmission
 DDD = 5-Speed HD Manual Transmission

AR = use ase required - = Non illustrated part

Instrument Panel
Figure 08A-105



ITEM	PART NUMBER	QTY	LINE	SERIES	BODY	ENGINE	TRANS	TRIM	DESCRIPTION
	0YW781RHAF	1	C						[KBW]
	0YW781S2AF	1	C						[KBD]
	0YW781YHAF	1	C						[KBY]
	0YW791B5AF	1	Z						[KBF]
	0YW791B6AF	1	Z						[KBH]
	0YW791FFAF	1	Z						[KBA]
	0YW791PKAF	1	Z						[KBP]
	0YW791RHAF	1	Z						[KBW]
	0YW791S2AF	1	Z						[KBD]
	0YW791YHAF	1	Z						[KBY]
25									SUPPORT, Instrument Panel
	05175800AA	1	C						Structural strap
	05175801AA	1	Z						Structural strap
26									GLOVE BOX, Instrument Panel
	1DD131KAAA	1	Z						[KA]
	1DD131DAAA	1	C						[DA]
		1	Z						[DA]
		1	C						[KA]
27									DOOR, Glove Box
	1DW781KAAA	1	C						[KA]
	1DW781DAAA	1	C						[DA]
-28									BUMPER, Glove Box Door
	05023921AA	1	C						
		1	Z						
29									DAMPENER, Glove Box Door
	05175799AA	1	C						
		1	Z						
30									LATCH, Glovebox
	1CJ43DKAAB	1	C						[KA]
	1CJ43BDAAB	1	C						[DA]
		1	Z						[DA]

PT CRUISER (PT)
 SERIES LINE
 H = HIGHLINE C = CHRYSLER
 P = PREMIUM Z = CHRYSLER (RHD)
 S = SPORT
 X = SPECIAL

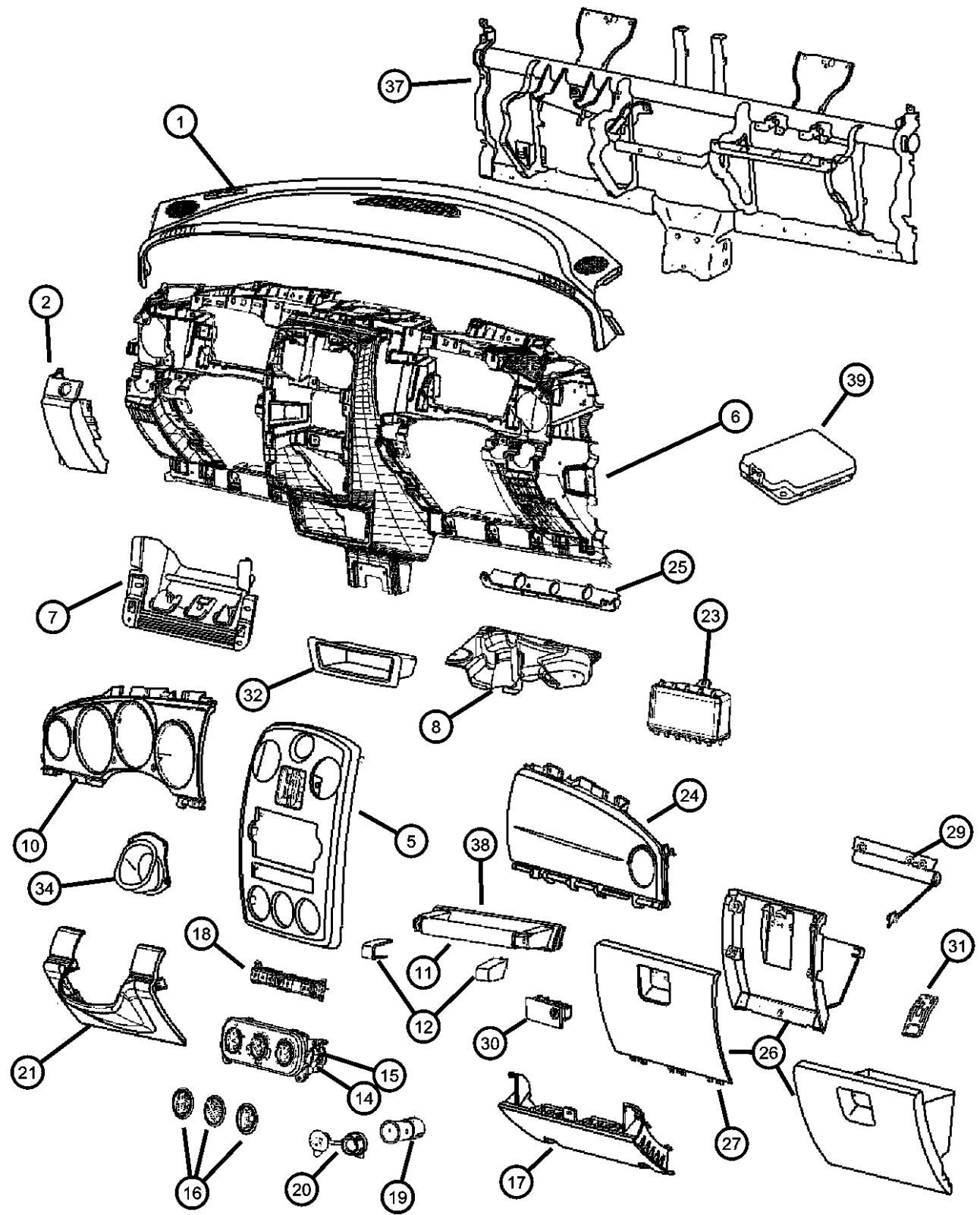
BODY
 27 = 2-DR CONVERTIBLE
 44 = HATCHBACK/QUAD
 CAB CHASSIS LWB

ENGINE
 EDJ = 2.2L 4 Cyl Turbo Diesel Engine
 EDT = 2.4L 4 Cyl DOHC 16V Turbo Engine
 EDV = 2.4L 4 Cyl DOHC 16V HO Turbo Engine
 EDZ = 2.4L 4 Cyl DOHC 16V SMPI Engine
 EJD = 1.6L 4 Cyl SOHC 16V SMPI

TRANSMISSION
 DGL = 4-Speed Automatic Transmission
 DD5 = 5-Speed Manual Transmission
 DDD = 5-Speed HD Manual Transmission

AR = use ase required - = Non illustrated part

Instrument Panel
Figure 08A-105



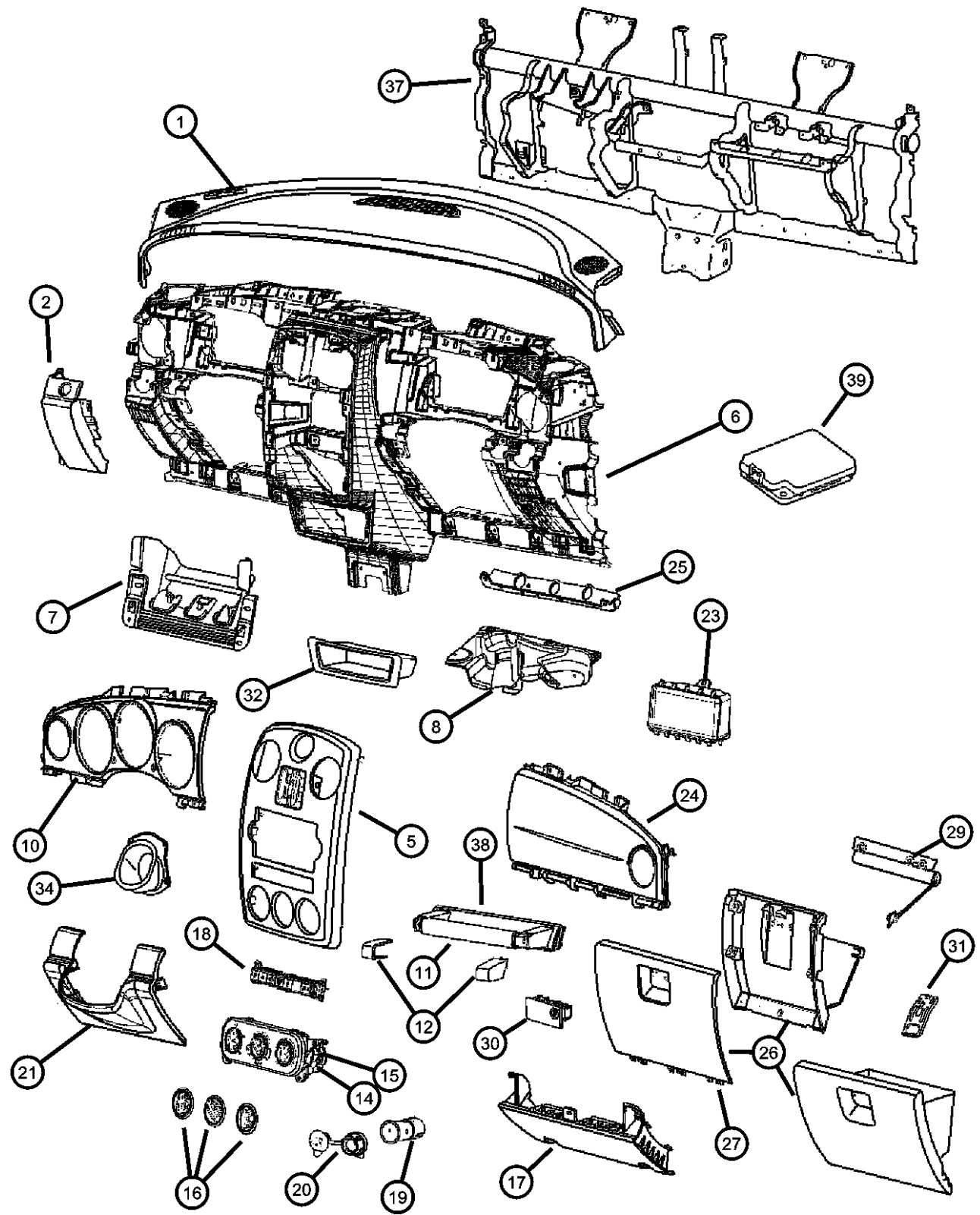
ITEM	PART NUMBER	QTY	LINE	SERIES	BODY	ENGINE	TRANS	TRIM	DESCRIPTION
									[KA]
31		1	Z						STRIKER, Glove Box Door Latch
	05179625AA	1	Z						
		1	C						
32		1	C						BIN, Instrument Panel
	05175798AA	1	C						
		1	Z						
-33									BEZEL, Instrument Panel
	0ZE89BDAAB	1	Z						[DA], Passenger Side
	0ZE89DKAAB	1	Z						[KA], Passenger Side
34									COVER, Steering Column
	04664263AA	1	C						Dash cover column seal
	04664283AA	1	Z						Dash cover column seal
-35	06505668AA	2							STUD, Double Ended, M8 x 1.25 x 46.50, Instrument Panel to Cowl attaching
-36	06104568AA	4							SCREW, Center bezel mounting
37									REINFORCEMENT, Instrument Panel
	05175708AA	1	C						Cross car beam
	05175797AA	1	Z						Cross car beam
38									BEZEL, Instrument Panel
	1DW79BDAAA	1	C						[DA] BEZEL BETWEEN GRAB HANDLE SUPPORTS
	1DW79DKAAA	1	C						[KA] BEZEL BETWEEN GRAB HANDLE SUPPORTS
39	04671918AD	1							MODULE, Compass
-40									BRACKET, Instrument Panel
	05175802AA	1	C						Passenger air bag upper support
		1	Z						Passenger air bag upper support
-41									NUT
	06508251AA	26	Z						Instrument panel attaching
		26	C						Instrument panel attaching

PT CRUISER (PT)

SERIES	LINE	BODY	ENGINE	TRANSMISSION
H = HIGHLINE	C = CHRYSLER	27 = 2-DR CONVERTIBLE	EDJ = 2.2L 4 Cyl Turbo Diesel Engine	DGL = 4-Speed Automatic Transmission
P = PREMIUM	Z = CHRYSLER (RHD)	44 = HATCHBACK/QUAD CAB CHASSIS LWB	EDT = 2.4L 4 Cyl DOHC 16V Turbo Engine	DD5 = 5-Speed Manual Transmission
S = SPORT			EDV = 2.4L 4 Cyl DOHC 16V HO Turbo Engine	DDD = 5-Speed HD Manual Transmission
X = SPECIAL			EDZ = 2.4L 4 Cyl DOHC 16V SMPI Engine	
			EJD = 1.6L 4 Cyl SOHC 16V SMPI	

AR = use ase required - = Non illustrated part

Instrument Panel
Figure 08A-105



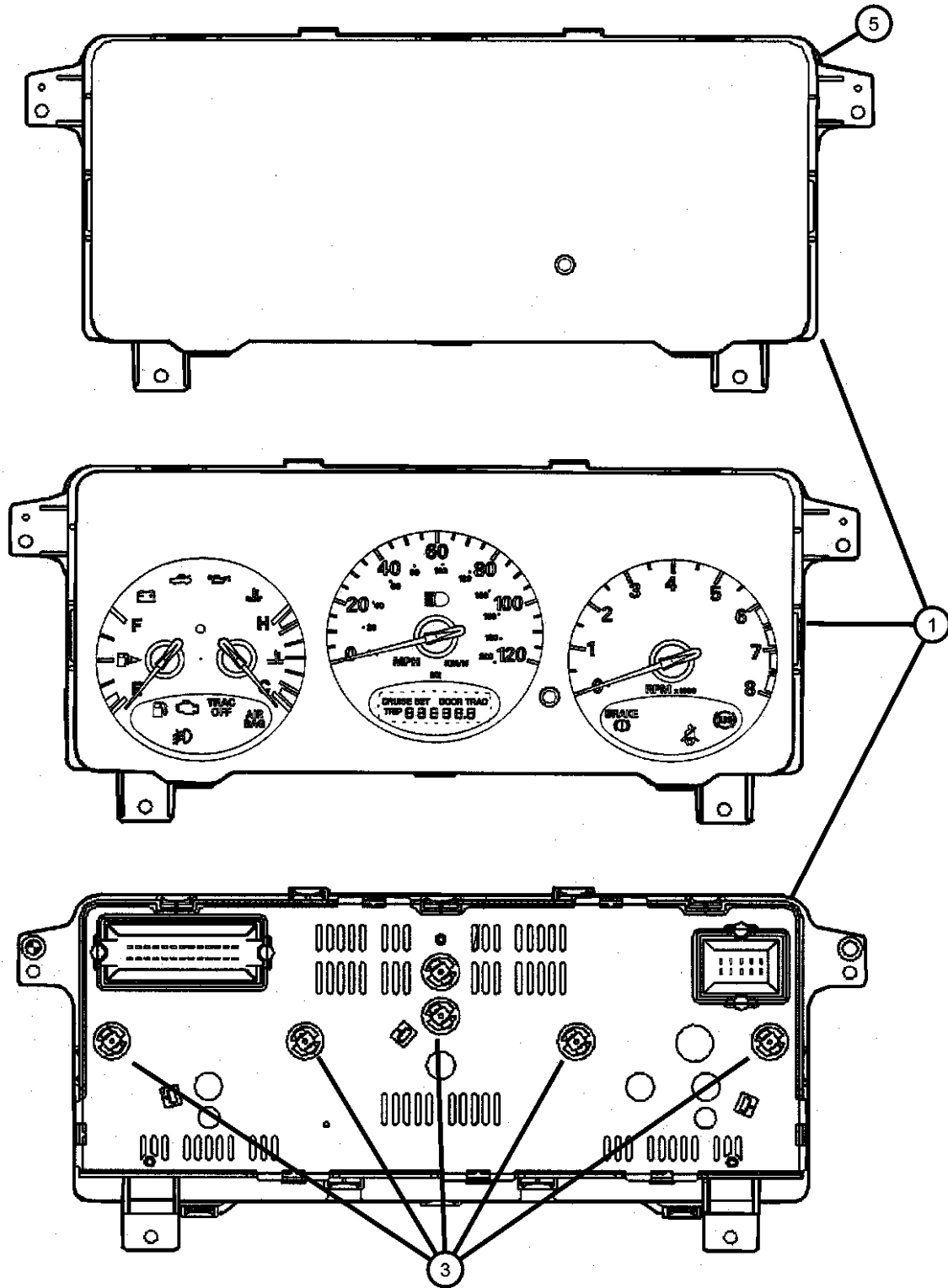
ITEM	PART NUMBER	QTY	LINE	SERIES	BODY	ENGINE	TRANS	TRIM	DESCRIPTION
-42	06508241AA	56	Z						NUT Instrument panel
		56	C						Instrument panel
-43	06104568AA	1							SCREW, Instrument panel end caps
-44	05023857AB	1	C, Z		27, 44				REINFORCEMENT, Instrument Panel, Steering column cover

PT CRUISER (PT)

SERIES	LINE	BODY	ENGINE	TRANSMISSION
H = HIGHLINE	C = CHRYSLER	27 = 2-DR CONVERTIBLE	EDJ = 2.2L 4 Cyl Turbo Diesel Engine	DGL = 4-Speed Automatic Transmission
P = PREMIUM	Z = CHRYSLER (RHD)	44 = HATCHBACK/QUAD CAB CHASSIS LWB	EDT = 2.4L 4 Cyl DOHC 16V Turbo Engine	DD5 = 5-Speed Manual Transmission
S = SPORT			EDV = 2.4L 4 Cyl DOHC 16V HO Turbo Engine	DDD = 5-Speed HD Manual Transmission
X = SPECIAL			EDZ = 2.4L 4 Cyl DOHC 16V SMPI Engine	
			EJD = 1.6L 4 Cyl SOHC 16V SMPI	

AR = use ase required - = Non illustrated part

Cluster, Instrument Panel
Figure 08A-205



ITEM	PART NUMBER	QTY	LINE	SERIES	BODY	ENGINE	TRANS	TRIM	DESCRIPTION
------	-------------	-----	------	--------	------	--------	-------	------	-------------

Note:
Cluster Contains All Gauges and Circuit Board
JA2 = Instrument Cluster
JDJ = 240 KPH w/Tach
JDR = 240 KPH w/Tach

1									CLUSTER, Instrument Panel
	05107621AF	1				EDZ			[JA2,JCB]
	05107622AF	1				EDT, EDZ			[JA2,JCB,LAZ]
	05107623AF	1				EDV			[JA2,JCE,LAZ]
	05107627AF	1				EDZ, EJD			[JA2,JDJ]
	05107628AF	1				EDT, EDZ, EJD			[JA2,JDJ,LAZ]
	05107629AF	1				EDV			[JA2,JDJ,LAZ]
	05107630AF	1				EDJ			[JA7,JDJ]
	05107631AF	1				EDJ			[JA7,JDJ,LAZ]
	05107632AF	1				EDZ			[JA2,JCE]
	05107633AF	1				EDZ			[JA2,JCE,LAZ]
	05107634AF	1				EDJ			[JA7,JCE]
	05107635AF	1				EDJ			[JA7,JCE,LAZ]
	05107636AD	1				EDZ			[JA2,JDR,LAZ]
-2	06104568AA	4							SCREW
3									BULB, PC74
	L000PC74	AR				EDZ			
		AR				EDJ			
		AR				EDT, EDZ			
		AR				EDV			
-4									COVER, Instrument Cluster
	05179687AA	1				EDZ			Visor for cluster
		1				EDT, EDZ, EJD			Visor for cluster
		1				EDV			Visor for cluster
		1				EDJ			Visor for cluster
5									MASK AND LENS, Instrument Cluster

PT CRUISER (PT)

SERIES LINE
H = HIGHLINE C = CHRYSLER
P = PREMIUM Z = CHRYSLER (RHD)
S = SPORT
X = SPECIAL

BODY
27 = 2-DR CONVERTIBLE
44 = HATCHBACK/QUAD
CAB CHASSIS LWB

ENGINE
EDJ = 2.2L 4 Cyl Turbo Diesel Engine
EDT = 2.4L 4 Cyl DOHC 16V Turbo Engine
EDV = 2.4L 4 Cyl DOHC 16V HO Turbo Engine
EDZ = 2.4L 4 Cyl DOHC 16V SMPI Engine
EJD = 1.6L 4 Cyl SOHC 16V SMPI

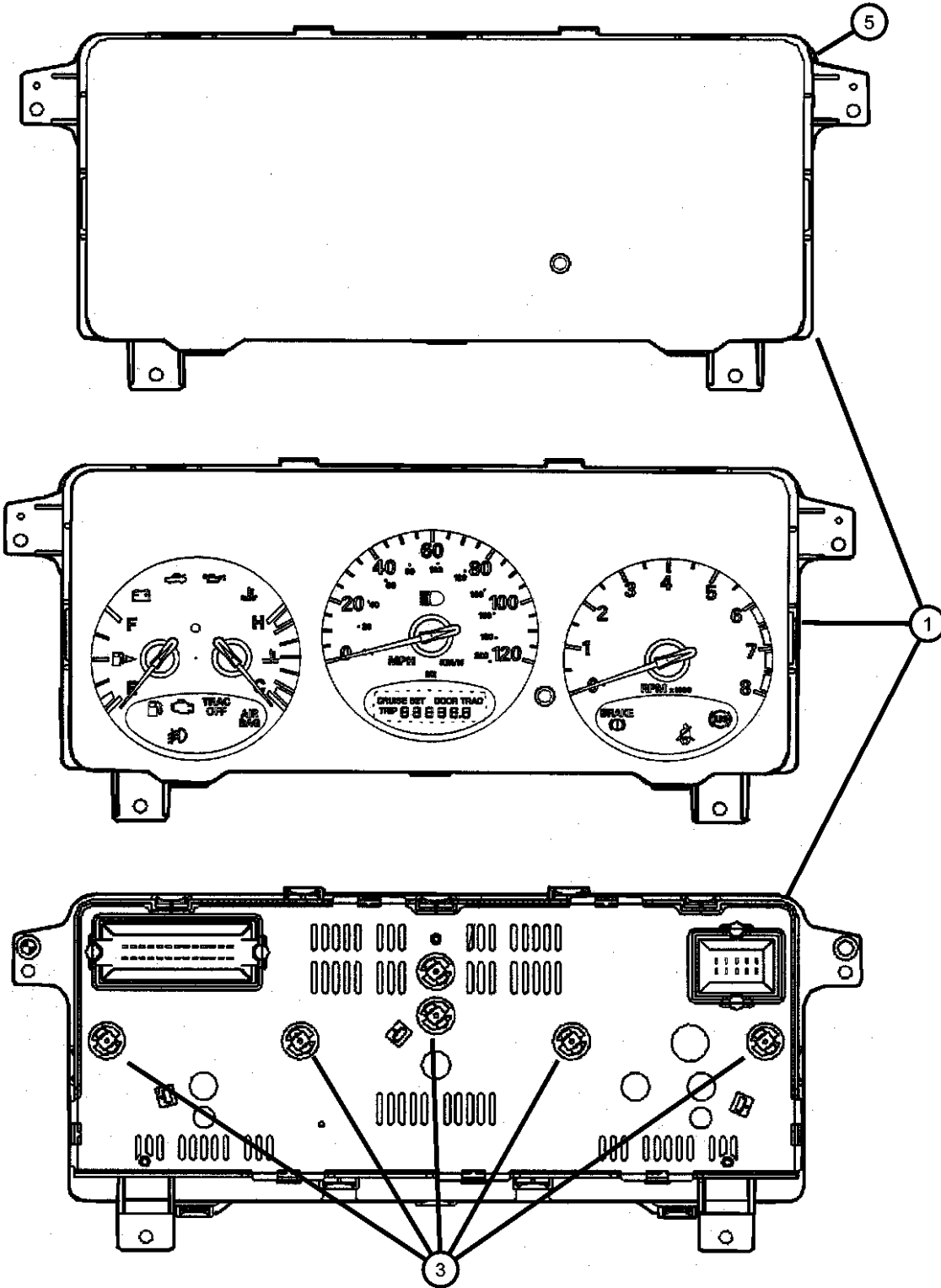
TRANSMISSION
DGL = 4-Speed Automatic Transmission
DD5 = 5-Speed Manual Transmission
DDD = 5-Speed HD Manual Transmission

AR = use ase required - = Non illustrated part

2006 PT

Cluster, Instrument Panel
Figure 08A-205

ITEM	PART NUMBER	QTY	LINE	SERIES	BODY	ENGINE	TRANS	TRIM	DESCRIPTION
	05179685AA	1				EDZ			1 hole for reset knob
		1				EDJ			1 hole for reset knob
	05179686AA	1				EDT, EDZ			2 holes for reset knobs
		1				EDV			2 holes for reset knobs
		1				EDJ			2 holes for reset knobs
		1				EDZ			2 holes for reset knobs
-6	04602626AA	1							CLOCK



PT CRUISER (PT)

SERIES LINE
H = HIGHLINE C = CHRYSLER
P = PREMIUM Z = CHRYSLER (RHD)
S = SPORT
X = SPECIAL

BODY
27 = 2-DR CONVERTIBLE
44 = HATCHBACK/QUAD
CAB CHASSIS LWB

ENGINE
EDJ = 2.2L 4 Cyl Turbo Diesel Engine
EDT = 2.4L 4 Cyl DOHC 16V Turbo Engine
EDV = 2.4L 4 Cyl DOHC 16V HO Turbo Engine
EDZ = 2.4L 4 Cyl DOHC 16V SMPI Engine
EJD = 1.6L 4 Cyl SOHC 16V SMPI

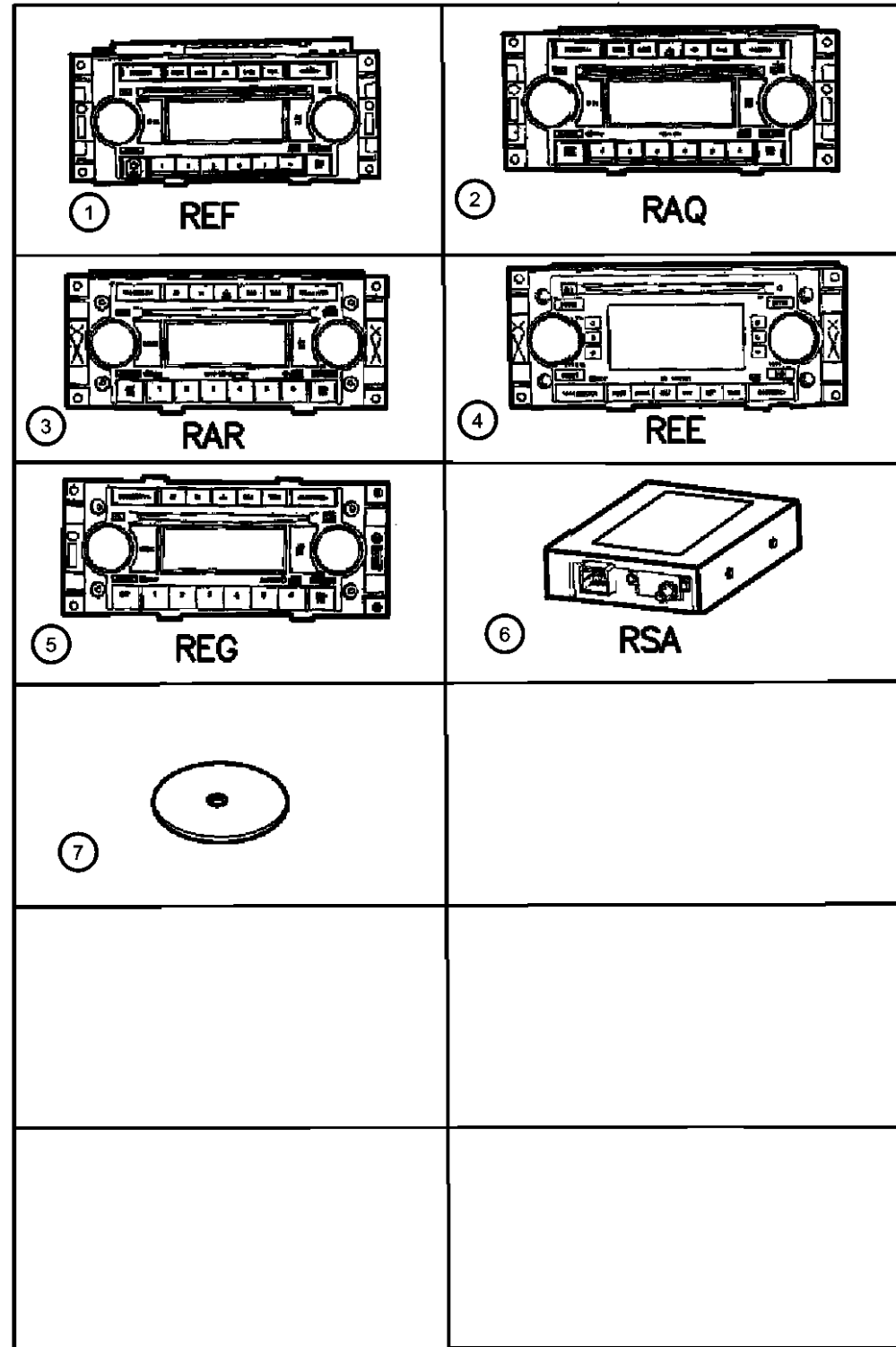
TRANSMISSION
DGL = 4-Speed Automatic Transmission
DD5 = 5-Speed Manual Transmission
DDD = 5-Speed HD Manual Transmission

AR = use ase required - = Non illustrated part

2006 PT

Radio
Figure 08A-305

ITEM	PART NUMBER	QTY	LINE	SERIES	BODY	ENGINE	TRANS	TRIM	DESCRIPTION
1	05064173AB	1							RADIO, AM/FM with CD and Equalizer, [REF]
2	05064174AB	1							RADIO, AM/FM with CD and Equalizer, [RAQ]
3	05064065AE	1							RADIO, AM/FM with CD and Equalizer, [RAR]
4	05091522AB	1							RADIO, AM/FM CD W/NAV/DVD & CD-CTRL, [REE]
5	05091509AE	1							RADIO, AM/FM with CD and Equalizer, [REG]
6	05064075AC	1			44				RECEIVER, Satellite, [RSA]
7	05064109AA	1							COMPACT DISC, Navigation
-8	05183920AA	1							MODULE, Telematics, Attaches to back of radio



PT CRUISER (PT)

SERIES LINE
H = HIGHLINE C = CHRYSLER
P = PREMIUM Z = CHRYSLER (RHD)
S = SPORT
X = SPECIAL

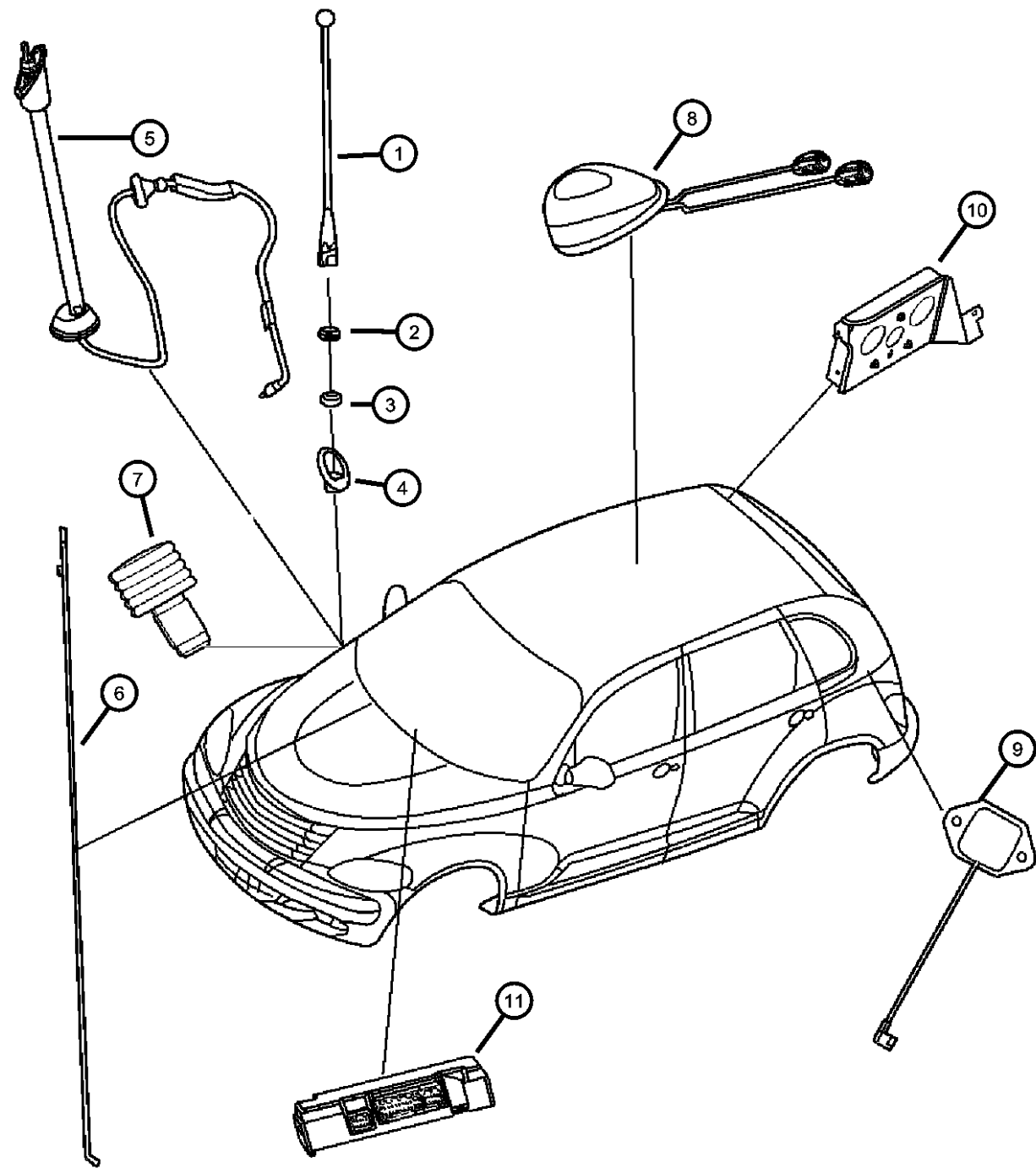
BODY
27 = 2-DR CONVERTIBLE
44 = HATCHBACK/QUAD
CAB CHASSIS LWB

ENGINE TRANSMISSION
EDJ = 2.2L 4 Cyl Turbo Diesel Engine
EDT = 2.4L 4 Cyl DOHC 16V Turbo Engine
EDV = 2.4L 4 Cyl DOHC 16V HO Turbo Engine
EDZ = 2.4L 4 Cyl DOHC 16V SMPI Engine
EJD = 1.6L 4 Cyl SOHC 16V SMPI
DGL = 4-Speed Automatic Transmission
DD5 = 5-Speed Manual Transmission
DDD = 5-Speed HD Manual Transmission

AR = use ase required - = Non illustrated part

2006 PT

Antenna
Figure 08A-310



ITEM	PART NUMBER	QTY	LINE	SERIES	BODY	ENGINE	TRANS	TRIM	DESCRIPTION
1	04671868AB	1							MAST, Antenna
	04671894AA	1							[RDD]
	04671906AA	1			44				[RDA]
	04671906AA	1			44				[RDB]
2	04685498	1							SHROUD, Antenna Cap Nut
3	56007570AB	1							CAP NUT, Antenna
4	04671602AC	1							ADAPTER, Antenna
5									BASE, Antenna
	04671626AC	1							
	04671892AB	1							Export
6									CABLE, Antenna Extension
	04671771AB	1							
	04671907AA	1	C		44				[RBD] Body
	04671908AA	1	C		44				[RBD] Instrument panel
	04671909AA	1							[RSA]
	04671910AA	1							[RSB] Module to Antenna
	04671915AA	1	Z		44				[RBD] Instrument panel
7	04671915AA	1							CAP, Antenna Body, (NOT SERVICED),
8	05150048AA	1							ANTENNA, Satellite
9	04672321AA	1							ANTENNA, GPS
10	05064075AC	1			44				RECEIVER, Satellite
11									MODULE, Telematics
	05064013AU	1							
	56040704AD	1							Attaches back of radio

PT CRUISER (PT)

SERIES LINE
H = HIGHLINE C = CHRYSLER
P = PREMIUM Z = CHRYSLER (RHD)
S = SPORT
X = SPECIAL

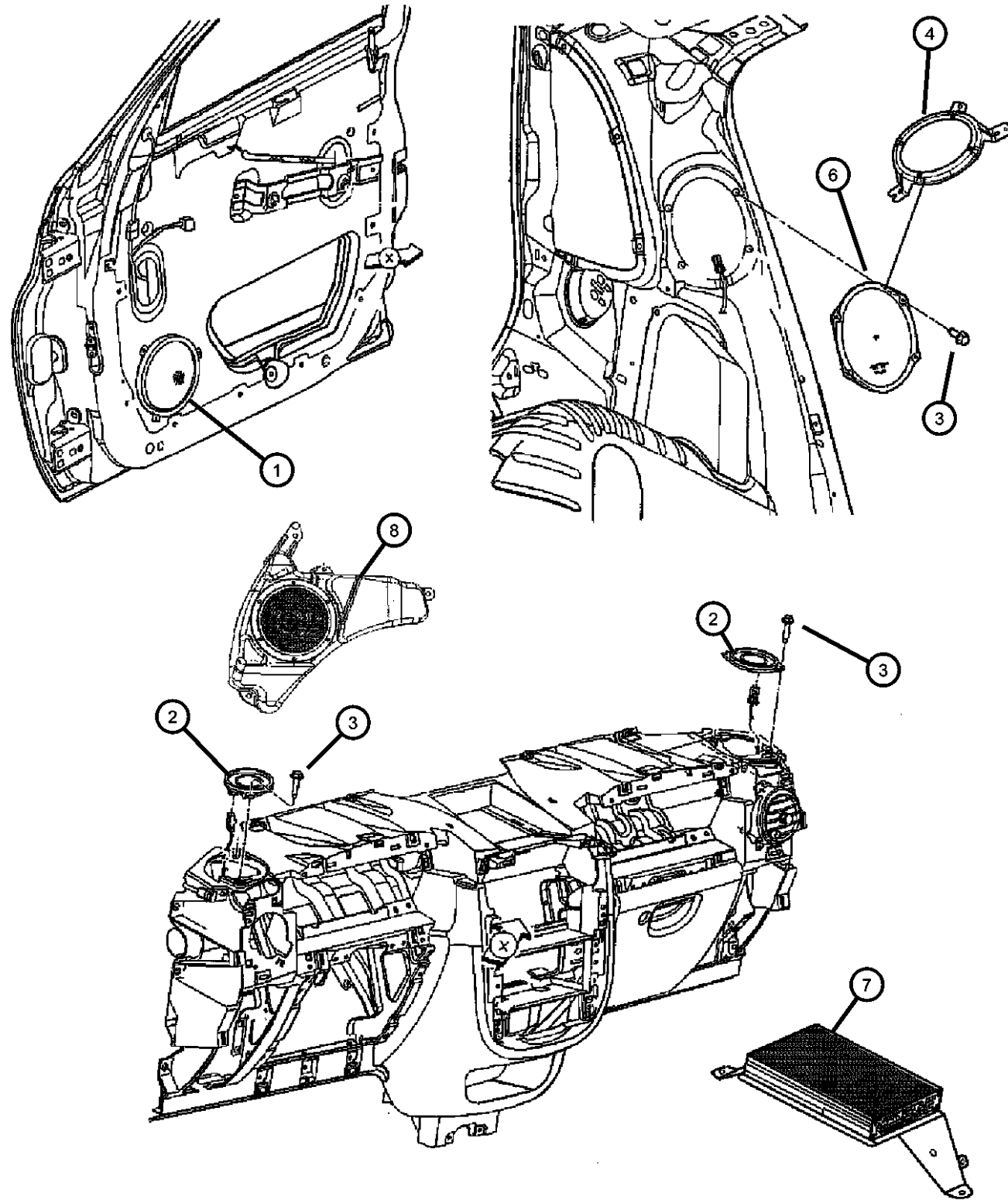
BODY
27 = 2-DR CONVERTIBLE
44 = HATCHBACK/QUAD
CAB CHASSIS LWB

ENGINE TRANSMISSION
EDJ = 2.2L 4 Cyl Turbo Diesel Engine
EDT = 2.4L 4 Cyl DOHC 16V Turbo Engine
EDV = 2.4L 4 Cyl DOHC 16V HO Turbo Engine
EDZ = 2.4L 4 Cyl DOHC 16V SMPI Engine
EJD = 1.6L 4 Cyl SOHC 16V SMPI
DGL = 4-Speed Automatic Transmission
DD5 = 5-Speed Manual Transmission
DDD = 5-Speed HD Manual Transmission

AR = use ase required - = Non illustrated part

2006 PT

Speakers
Figure 08A-315



ITEM	PART NUMBER	QTY	LINE	SERIES	BODY	ENGINE	TRANS	TRIM	DESCRIPTION
1	04672455AB	2							SPEAKER, Front Door, [RCG]
2	05059062AA	2							SPEAKER, Instrument Panel [RCG]
	05059068AB	2							[RC2,RC6]
3	06104568AA	4							SCREW, Speaker mounting
4	05067332AD	1				27			BRACKET, Speaker Right
	05067333AD	1				27			Left
-5	06102132AA	6				27			SCREW, Hex Head, M6x1x20, Speaker bracket mounting
6	04714606AA	2				27			SPEAKER, Rear, 6x9, [RCG]
7	05081670AB	2							SPEAKER, 6.5", [RC2,RC6]
8	56046909AA	2				27			SPEAKER, 6"X9", [RC6]
9	04672383AD	1		C					AMPLIFIER, Audio [RD6]
	04672458AD	1		Z					[RD6]
10	04672384AB	1				44			SPEAKER, Sub Woofer
-11	04714602AB	1				44			SPEAKER, Rear Door [RC2], Right
	04714603AB	1				44			[RC2], Left
	04714604AB	1				44			[RCG], Right
	04714605AB	1				44			[RCG], Left

PT CRUISER (PT)

SERIES LINE
H = HIGHLINE C = CHRYSLER
P = PREMIUM Z = CHRYSLER (RHD)
S = SPORT
X = SPECIAL

BODY
27 = 2-DR CONVERTIBLE
44 = HATCHBACK/QUAD CAB CHASSIS LWB

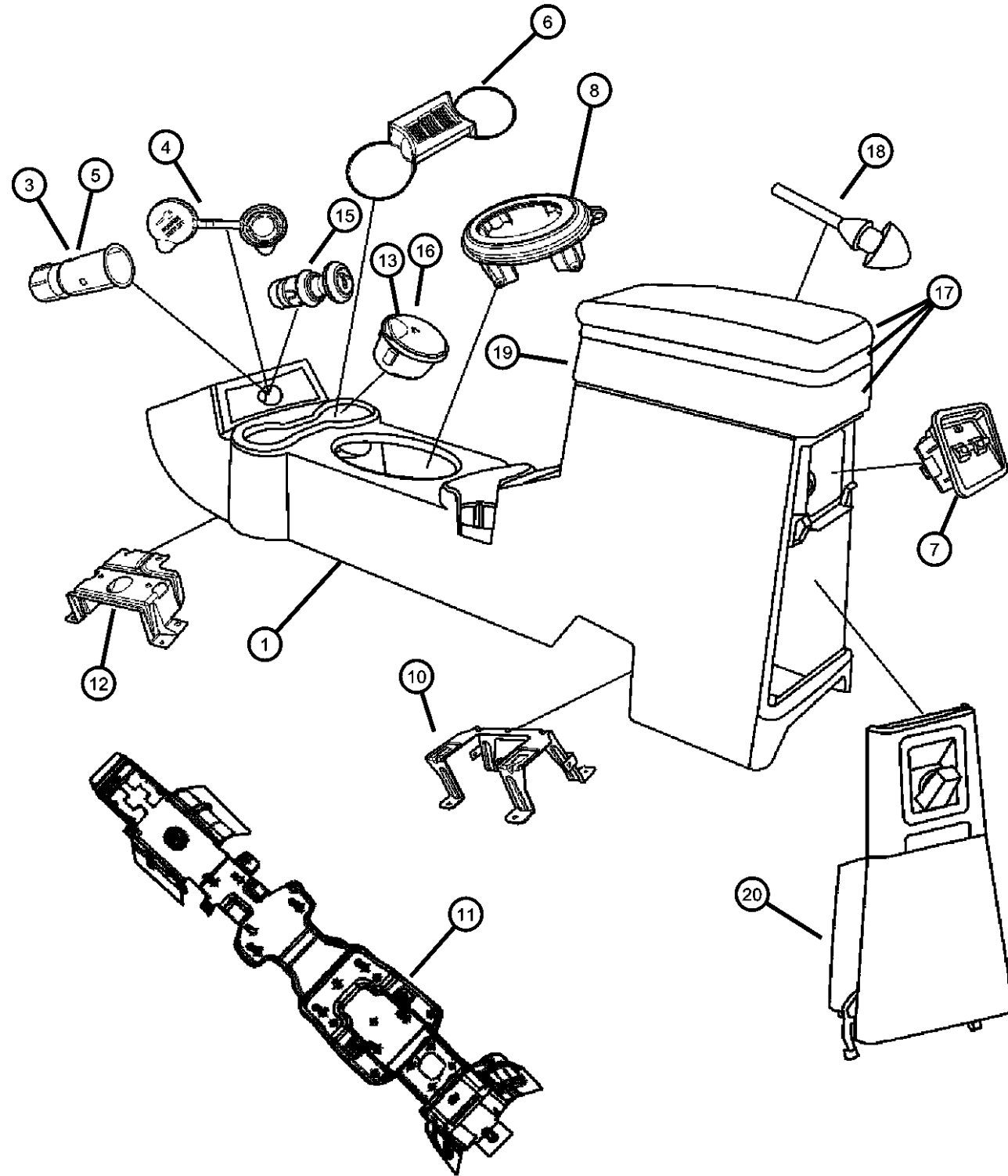
ENGINE
EDJ = 2.2L 4 Cyl Turbo Diesel Engine
EDT = 2.4L 4 Cyl DOHC 16V Turbo Engine
EDV = 2.4L 4 Cyl DOHC 16V HO Turbo Engine
EDZ = 2.4L 4 Cyl DOHC 16V SMPI Engine
EJD = 1.6L 4 Cyl SOHC 16V SMPI

TRANSMISSION
DGL = 4-Speed Automatic Transmission
DD5 = 5-Speed Manual Transmission
DDD = 5-Speed HD Manual Transmission

AR = use ase required - = Non illustrated part

2006 PT

Console, Floor
Figure 08A-405



ITEM	PART NUMBER	QTY	LINE	SERIES	BODY	ENGINE	TRANS	TRIM	DESCRIPTION
1	0YZ971DAAB	1							CONSOLE, Base [DA][CM7,JKP]
	0YZ971KAAB	1							[KA][CM7,JKP]
	1AC941DAAB	1							[DA][CM7,JKP,CU2]
	1AC941KAAB	1							[KA][CM7,JKP,CU2]
	1BB091DAAB	1							[DA][CM7]
	1BB091KAAB	1							[KA][CM7]
-2	06032723	4							SCREW, Self Tapping, M4.2x1.69x19.05
3	04793554AB	1							POWER OUTLET
4	04685591AE	1							CAP, Power Outlet
5	04685668AA	1							MOUNT, Power Outlet
6	04685590	1							BASE, Cigar Lighter
7	1CD69DX9AA	1							MAT, Floor Console
8									SWITCH AND BEZEL, Power Window
	0UG381DAAD	1			44				[DA]
	0UG381KAAD	1			44				[KA]
9									BEZEL, Console PRNDL
	0TR421DAAD	1	C				DGL		[DA][DHD,JBS]
	0TR421KAAD	1	C				DGL		[KA][DHD,JBS]
	0TR431DAAD	1	Z				DGL		[DA][JBS]
	0TR431KAAD	1	Z				DGL		[KA][JBS]
	0TZ25BDAAA	1	C				DGL		[DA][JBS]
	0TZ25DKAAA	1	C				DGL		[KA][JBS]
	0WC261Z2AD	1	C				DGL		[JBW]
	0XA391Z0AB	1	C				DGL		[DHD,JBV]
	0XA401Z0AB	1	Z				DGL		[JBV]
	0XA41SZ0AA	1	C				DGL		[JBV]
-10	0XA41SZ0AA	1							SCREW, M5X1.81X15, (NOT SERVICED),
11	05023840AA	1							BRACKET, Console, Mounting rear
12	05027979AD	1							BRACKET, Floor Console

PT CRUISER (PT)

SERIES LINE
H = HIGHLINE C = CHRYSLER
P = PREMIUM Z = CHRYSLER (RHD)
S = SPORT
X = SPECIAL

BODY
27 = 2-DR CONVERTIBLE
44 = HATCHBACK/QUAD
CAB CHASSIS LWB

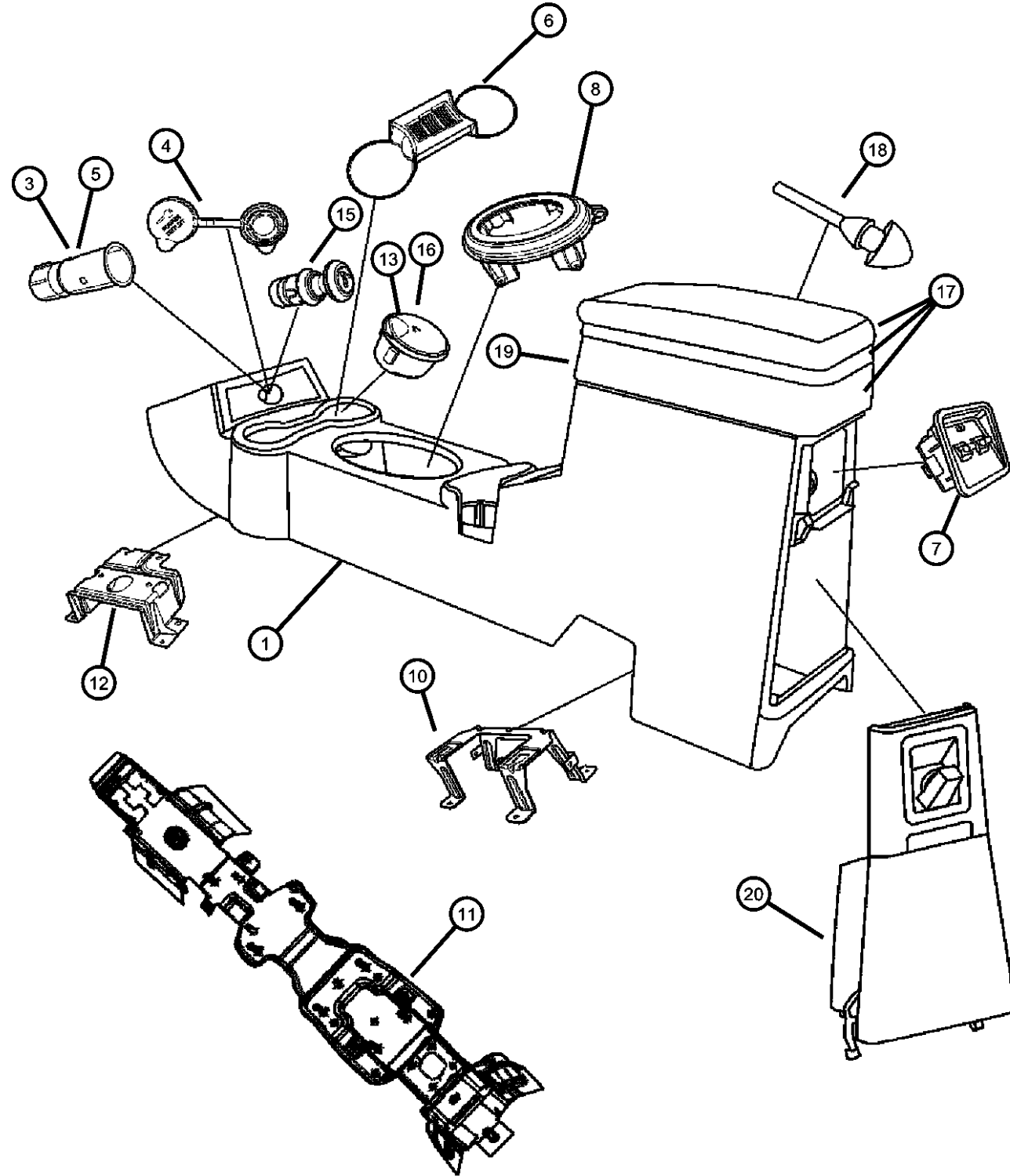
ENGINE
EDJ = 2.2L 4 Cyl Turbo Diesel Engine
EDT = 2.4L 4 Cyl DOHC 16V Turbo Engine
EDV = 2.4L 4 Cyl DOHC 16V HO Turbo Engine
EDZ = 2.4L 4 Cyl DOHC 16V SMPI Engine
EJD = 1.6L 4 Cyl SOHC 16V SMPI

TRANSMISSION
DGL = 4-Speed Automatic Transmission
DD5 = 5-Speed Manual Transmission
DDD = 5-Speed HD Manual Transmission

AR = use ase required - = Non illustrated part

2006 PT

Console, Floor
Figure 08A-405



ITEM	PART NUMBER	QTY	LINE	SERIES	BODY	ENGINE	TRANS	TRIM	DESCRIPTION
13	05023860AA	1							BRACKET, Console, Mounting front
14	04595823AB	1							SMOKERS KIT, Ash Receiver With Lighter
-15	06032452	2							SCREW, Self Piercing, .164-15x.625, Console base to console front
16	04685536	1							KNOB AND ELEMENT, Cigar Lighter
17	04595665	1							ASH RECEIVER, Instrument Panel
18									ARMREST, Console
	1AC951DAAA	1							[DA]
	1AC951KAAA	1							[KA]
19	04665361	2							BUMPER, Armrest Lid
20									TRAY, Floor Console
	1AC971DAAB	1							[DA]
	1AC971KAAB	1							[KA]
21									TRAY, Floor Console
	1AD001DAAC	1			44				[DA]
	1AD001KAAC	1			44				[KA]
	1AD01BDAAB	1			27				[DA]
	1AD01DKAAB	1			27				[KA]
22	05023916AA	1							BUMPER, Armrest Lid
23	05023917AA	1							BUMPER, Armrest Lid
24	05023807AA	1							LATCH, Armrest Lid
25	05023808AA	1							HINGE, Floor Console Lid
26	05023876AB	1							HINGE, Floor Console Lid
27									PLUG, 12 V-Outlet
	0HX32BDAAB	1							[DA] Without power outlet
	0HX32DKAAB	1							[KA] Without power outlet
28									COVER, Switch Opening
	1AQ28BDAAA	1			27				[DA]
	1AQ28DKAAA	1			27				[KA]

PT CRUISER (PT)

SERIES LINE
H = HIGHLINE C = CHRYSLER
P = PREMIUM Z = CHRYSLER (RHD)
S = SPORT
X = SPECIAL

BODY
27 = 2-DR CONVERTIBLE
44 = HATCHBACK/QUAD CAB CHASSIS LWB

ENGINE TRANSMISSION
EDJ = 2.2L 4 Cyl Turbo Diesel Engine
EDT = 2.4L 4 Cyl DOHC 16V Turbo Engine
EDV = 2.4L 4 Cyl DOHC 16V HO Turbo Engine
EDZ = 2.4L 4 Cyl DOHC 16V SMPI Engine
EJD = 1.6L 4 Cyl SOHC 16V SMPI
DGL = 4-Speed Automatic Transmission
DD5 = 5-Speed Manual Transmission
DDD = 5-Speed HD Manual Transmission

AR = use ase required - = Non illustrated part

2006 PT

Group - 9

Engine Mounting

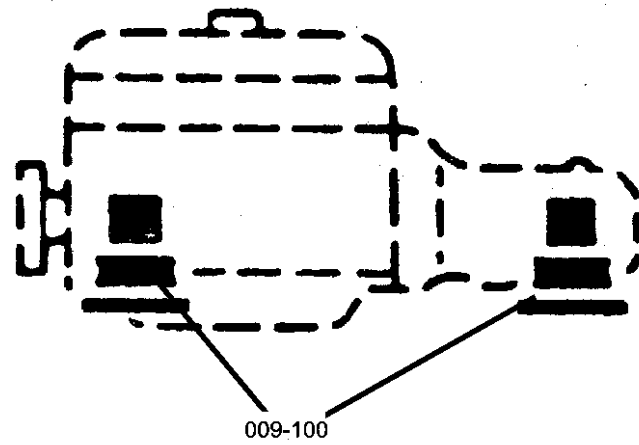
Group - 9 Engine Mounting

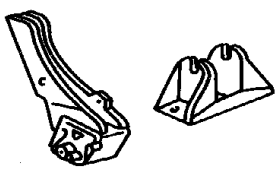
Illustration Title

Group-Fig. No.

Engine Mounting

Engine Mount - Front	Fig. 9 - 110
Engine Mount - Front	Fig. 9 - 115
Engine Mount - Front	Fig. 9 - 120
Engine Mount - Front	Fig. 9 - 125
Engine Mount - Front	Fig. 9 - 130
Engine Mount - Front	Fig. 9 - 135
Engine Mount - Front	Fig. 9 - 140
Transaxle Mounting Bracket.....	Fig. 9 - 145
Transaxle Mounting Bracket.....	Fig. 9 - 150
Transaxle Mounts	Fig. 9 - 155



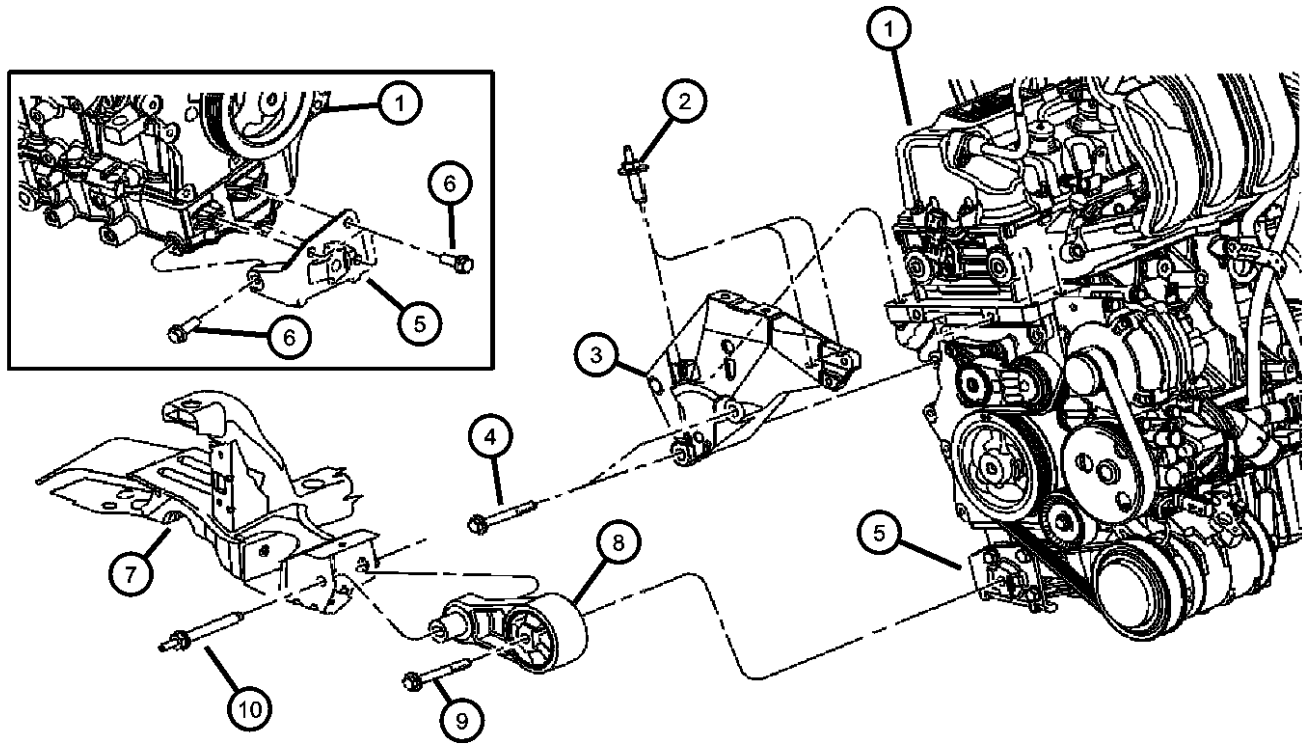
<p>009-100 Engine Mounting</p> 			
--	--	--	--

**Engine Mount - Front
Figure 9-110**

ITEM	PART NUMBER	QTY	LINE	SERIES	BODY	ENGINE	TRANS	TRIM	DESCRIPTION
------	-------------	-----	------	--------	------	--------	-------	------	-------------

NOTE:
Sales Codes:
[EJD]=1.6L 4 Cyl. Engine
[DD5]=5 Speed Manual Transmission - [T350]

1	1AQ28DKAAA	1							ENGINE, Complete, See Engine Group, (NOT SERVICED), STUD
2	06507035AA	3				EJD			BRACKET, Engine Mount
3	04668458AB	1				EJD			BOLT
4	06506419AA	2				EJD			BRACKET, Torque Reaction
5	04668459AB	1				EJD			BOLT AND WASHER, Hex Head, M10x1.5x30
6	06506019AA	4				EJD			CROSSMEMBER, Front Suspension, See Group 13, (NOT SERVICED)
7	06506019AA	4							ISOLATOR, Transmission Mount, Torque Reaction Strut Lower
8	04668966AC	1				EJD	DD5		BOLT, Torque Strut To Engine
9	06506067AA	1				EDZ, EJD			STUD, Torque Strut To Crossmember
10	06505658AA	1							



PT CRUISER (PT)

SERIES LINE
H = HIGHLINE C = CHRYSLER
P = PREMIUM Z = CHRYSLER (RHD)
S = SPORT
X = SPECIAL

BODY
27 = 2-DR CONVERTIBLE
44 = HATCHBACK/QUAD
CAB CHASSIS LWB

ENGINE
EDJ = 2.2L 4 Cyl Turbo Diesel Engine
EDT = 2.4L 4 Cyl DOHC 16V Turbo Engine
EDV = 2.4L 4 Cyl DOHC 16V HO Turbo Engine
EDZ = 2.4L 4 Cyl DOHC 16V SMPI Engine
EJD = 1.6L 4 Cyl SOHC 16V SMPI

TRANSMISSION
DGL = 4-Speed Automatic Transmission
DD5 = 5-Speed Manual Transmission
DDD = 5-Speed HD Manual Transmission

AR = use ase required - = Non illustrated part

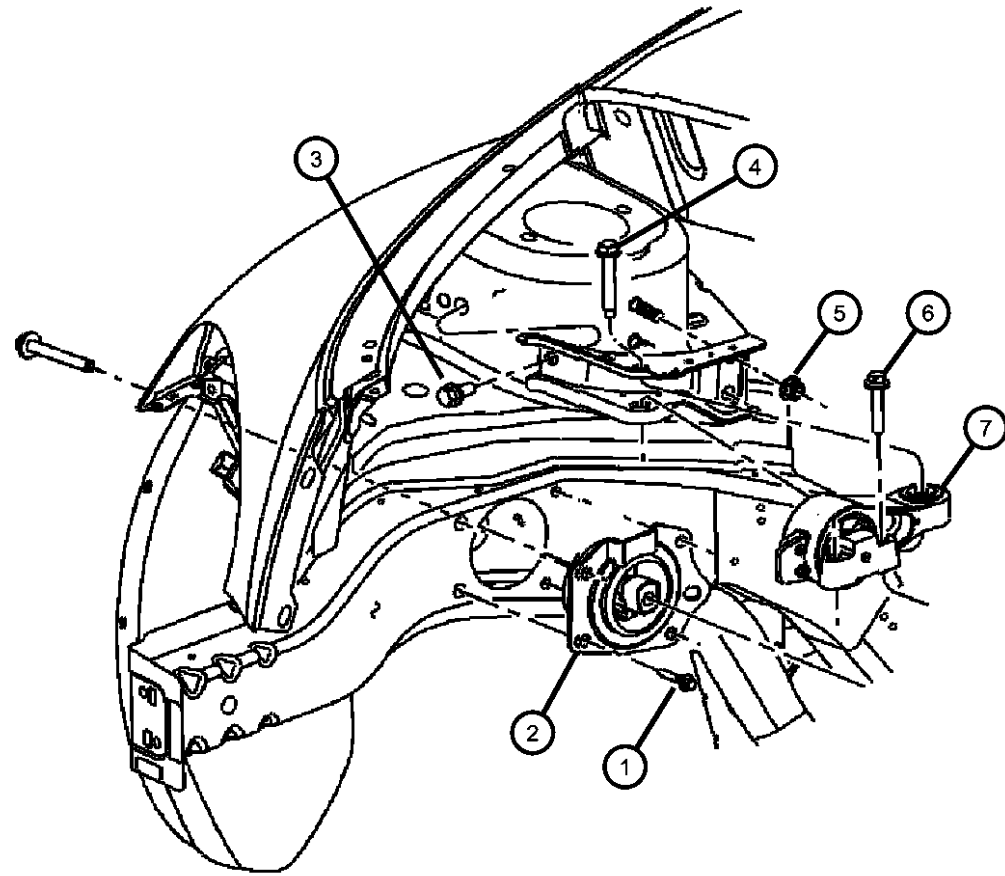
2006 PT

Engine Mount - Front
Figure 9-115

ITEM	PART NUMBER	QTY	LINE	SERIES	BODY	ENGINE	TRANS	TRIM	DESCRIPTION
------	-------------	-----	------	--------	------	--------	-------	------	-------------

NOTE:
Sales Code;
[DDD]=5 Speed Heavy Duty Manual Transmission
[DD5]=5 Speed Manual Transmission

1	06102067AA	4							BOLT, Engine Mount To Frame Rail
2	04668902AD	1							SUPPORT, Engine Mount
3	06102237AA	1							BOLT
4	06507491AA	1							BOLT
5	06503711	2							NUT, Hex Flange, M12x1.75
6	06505699AA	2							SCREW
7	05085122AB	1					DD5, DDD		ISOLATOR, Engine Mount



PT CRUISER (PT)

SERIES LINE
H = HIGHLINE C = CHRYSLER
P = PREMIUM Z = CHRYSLER (RHD)
S = SPORT
X = SPECIAL

BODY
27 = 2-DR CONVERTIBLE
44 = HATCHBACK/QUAD
CAB CHASSIS LWB

ENGINE TRANSMISSION
EDJ = 2.2L 4 Cyl Turbo Diesel Engine
EDT = 2.4L 4 Cyl DOHC 16V Turbo Engine
EDV = 2.4L 4 Cyl DOHC 16V HO Turbo Engine
EDZ = 2.4L 4 Cyl DOHC 16V SMPI Engine
EJD = 1.6L 4 Cyl SOHC 16V SMPI
DGL = 4-Speed Automatic Transmission
DD5 = 5-Speed Manual Transmission
DDD = 5-Speed HD Manual Transmission

AR = use ase required - = Non illustrated part

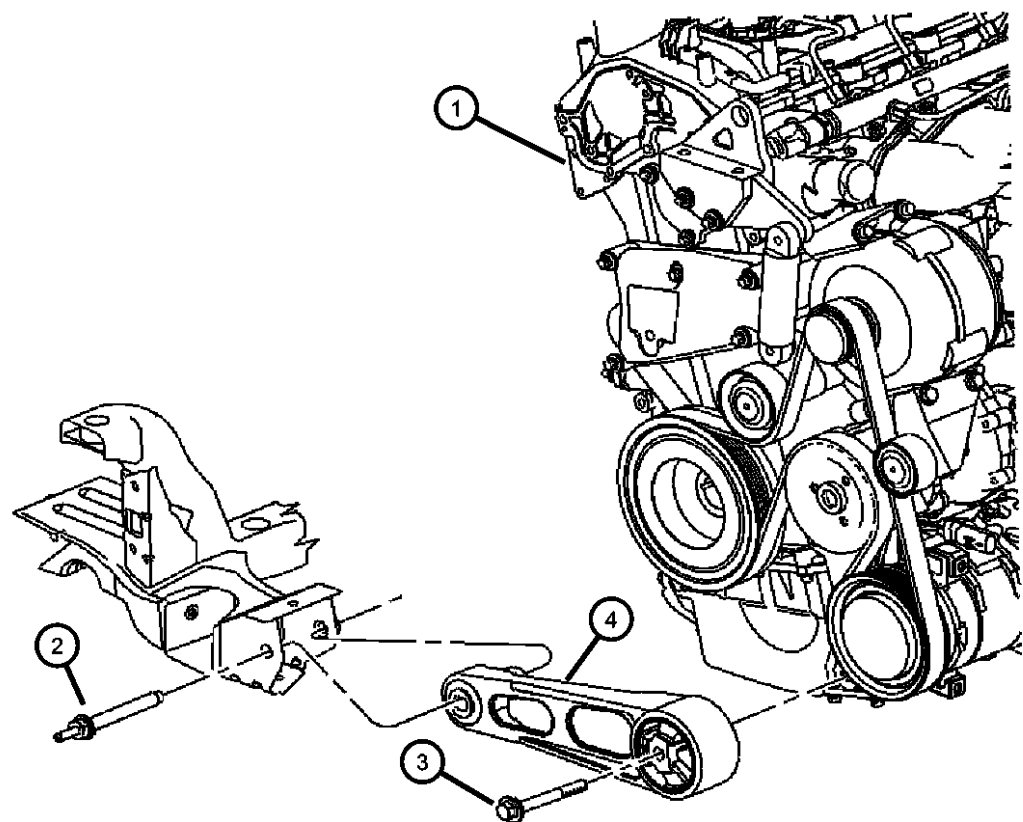
2006 PT

**Engine Mount - Front
Figure 9-120**

ITEM	PART NUMBER	QTY	LINE	SERIES	BODY	ENGINE	TRANS	TRIM	DESCRIPTION
------	-------------	-----	------	--------	------	--------	-------	------	-------------

NOTE:
Sales Code:
[EDJ]=2.2L 4 Cyl. Turbo Diesel Engine

1	05085122AB	1							ENGINE, Complete, Diesel, See Engine Group, (NOT SERVICED)
2	06505658AA	1							STUD, Torque Strut Lower To Crossmember
3	06504989AA	1				EDJ			SCREW AND WASHER, Hex Head, M14-2x95, Torque Strut To Engine
4	04668968AD	1				EDJ			ISOLATOR, Transmission Mount, Torque Strut



PT CRUISER (PT)

SERIES LINE
H = HIGHLINE C = CHRYSLER
P = PREMIUM Z = CHRYSLER (RHD)
S = SPORT
X = SPECIAL

BODY
27 = 2-DR CONVERTIBLE
44 = HATCHBACK/QUAD
CAB CHASSIS LWB

ENGINE TRANSMISSION
EDJ = 2.2L 4 Cyl Turbo Diesel Engine
EDT = 2.4L 4 Cyl DOHC 16V Turbo Engine
EDV = 2.4L 4 Cyl DOHC 16V HO Turbo Engine
EDZ = 2.4L 4 Cyl DOHC 16V SMPI Engine
EJD = 1.6L 4 Cyl SOHC 16V SMPI
DGL = 4-Speed Automatic Transmission
DD5 = 5-Speed Manual Transmission
DDD = 5-Speed HD Manual Transmission

AR = use ase required - = Non illustrated part

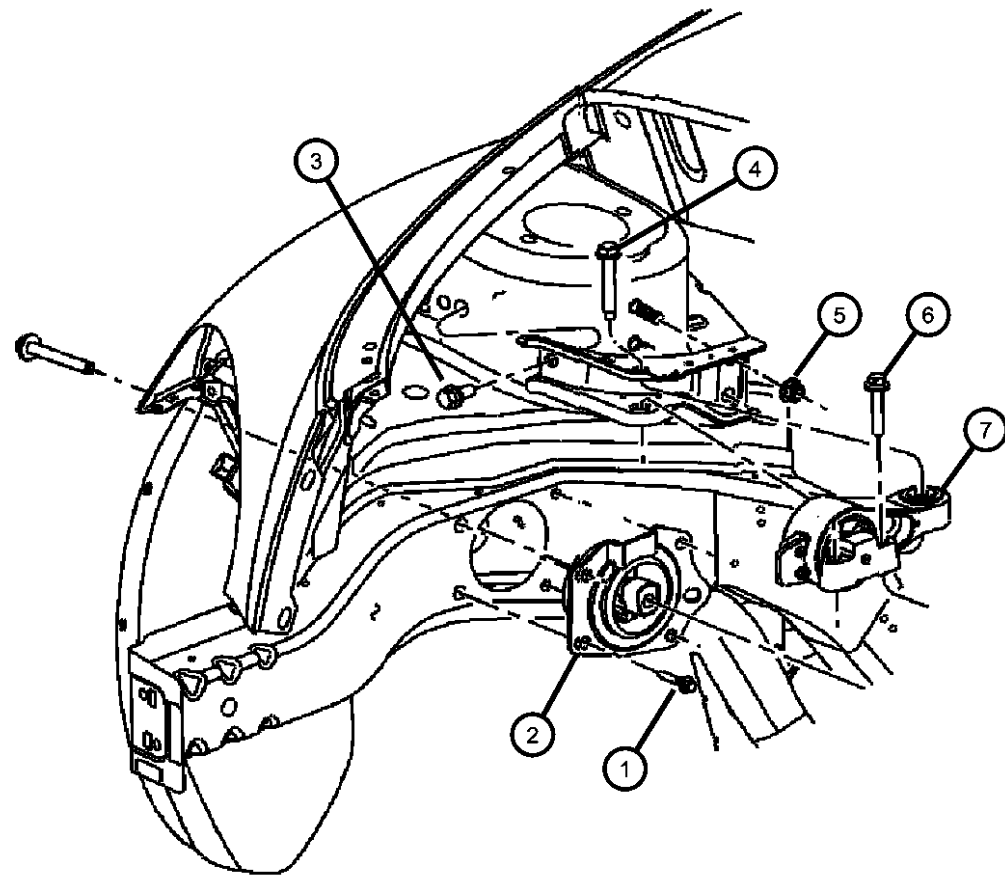
2006 PT

**Engine Mount - Front
Figure 9-125**

ITEM	PART NUMBER	QTY	LINE	SERIES	BODY	ENGINE	TRANS	TRIM	DESCRIPTION
------	-------------	-----	------	--------	------	--------	-------	------	-------------

NOTE:
Sales Code;
[DDD]=5 Speed Heavy Duty Manual Transmission
[DD5]=5 Speed Manual Transmission

1	06102067AA	4							BOLT, Engine Mount To Frame Rail
2	04668902AD	1							SUPPORT, Engine Mount
3	06102237AA	1							BOLT
4	06507491AA	1							BOLT
5	06503711	2							NUT, Hex Flange, M12x1.75
6	06505699AA	2							SCREW
7	05085122AB	1					DD5, DDD		ISOLATOR, Engine Mount



PT CRUISER (PT)

SERIES LINE
H = HIGHLINE C = CHRYSLER
P = PREMIUM Z = CHRYSLER (RHD)
S = SPORT
X = SPECIAL

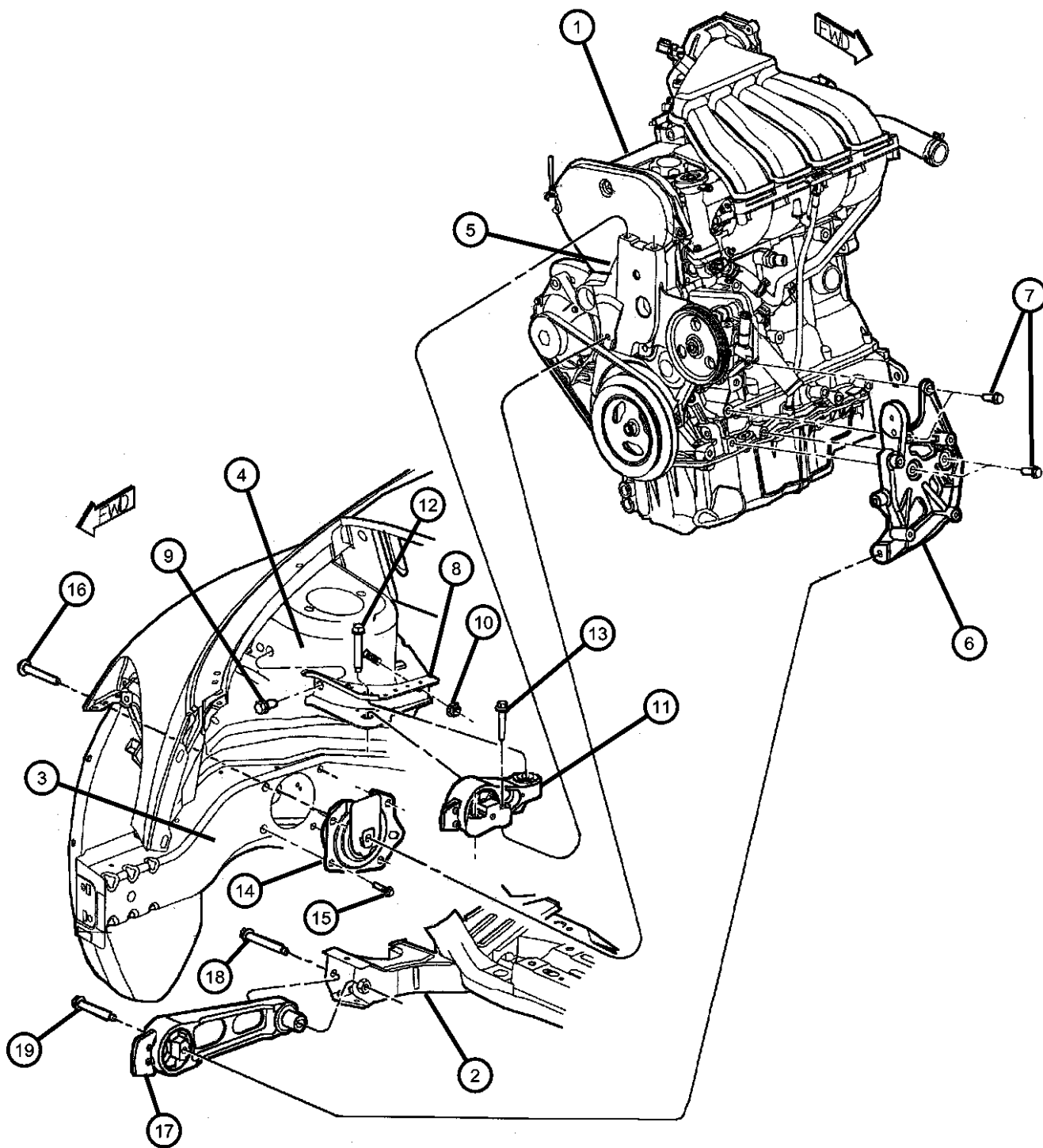
BODY
27 = 2-DR CONVERTIBLE
44 = HATCHBACK/QUAD
CAB CHASSIS LWB

ENGINE TRANSMISSION
EDJ = 2.2L 4 Cyl Turbo Diesel Engine
EDT = 2.4L 4 Cyl DOHC 16V Turbo Engine
EDV = 2.4L 4 Cyl DOHC 16V HO Turbo Engine
EDZ = 2.4L 4 Cyl DOHC 16V SMPI Engine
EJD = 1.6L 4 Cyl SOHC 16V SMPI
DGL = 4-Speed Automatic Transmission
DD5 = 5-Speed Manual Transmission
DDD = 5-Speed HD Manual Transmission

AR = use ase required - = Non illustrated part

2006 PT

Engine Mount - Front
Figure 9-130



ITEM	PART NUMBER	QTY	LINE	SERIES	BODY	ENGINE	TRANS	TRIM	DESCRIPTION
------	-------------	-----	------	--------	------	--------	-------	------	-------------

NOTE:

Sales Codes:

[DD5]=5 Speed Manual [T350] Transaxle

[DDD]=5 Speed Heavy Duty Manual [G288] Transaxle

[DGL]=4 Speed Automatic Transaxle

[EDT]=2.4L 4 Cylinder DOHC 16V Turbo Engine

[EDV]=2.4L 4 Cylinder DOHC 16V High Output Turbo Engine

[EDZ]=2.4L 4 Cylinder DOHC 16V SMPI Engine

[EJD]=1.6L 4 Cylinder SOHC 16V SMPI Engine

1	05085122AB	1							ENGINE, Complete, See Group 2.4L, (NOT SERVICED)
2	05085122AB	1							CROSSMEMBER, Front Suspension, See Group 013, (NOT SERVICED)
3	05085122AB	1							RAIL, Front Right, See Group 013, (NOT SERVICED)
4	05085122AB	1							TOWER, Front Suspension, See Group SPT, (NOT SERVICED)
5	05274500AB	1				EDT, EDV, EDZ			BRACKET, Engine Mount, Engine Mount to Block
6	04668687AB	1				EDZ			BRACKET, Torque Reaction, Torque Reaction Strut to Block
7	06101864	4				EDZ, EDT, EDV			SCREW AND WASHER, Hex Head, M10x1.5x35, Lower Torque Strut Bracket to Block
8	04668865AC	1							BRACKET, Torque Reaction, Upper Torque Strut To Shock Tower
9	06102237AA	1							BOLT, Upper Torque Strut Bracket to Shock Tower
10	06503711	2							NUT, Hex Flange, M12x1.75, Upper Torque Strut Bracket to Shock Tower
11	05085121AC	1					DGL		ISOLATOR, Engine Mount Torque Reaction Strut
	05085122AB	1					DD5, DDD		Torque Reaction Strut
12	06507491AA	1							BOLT, Torque Strut Upper to Shock Tower Bracket
13	06505699AA	2							SCREW, Adaptor to Engine Mount Right
14	04668902AD	1							SUPPORT, Engine Mount [44] Body Code, Body Side Right

PT CRUISER (PT)

SERIES	LINE
H = HIGHLINE	C = CHRYSLER
P = PREMIUM	Z = CHRYSLER (RHD)
S = SPORT	
X = SPECIAL	

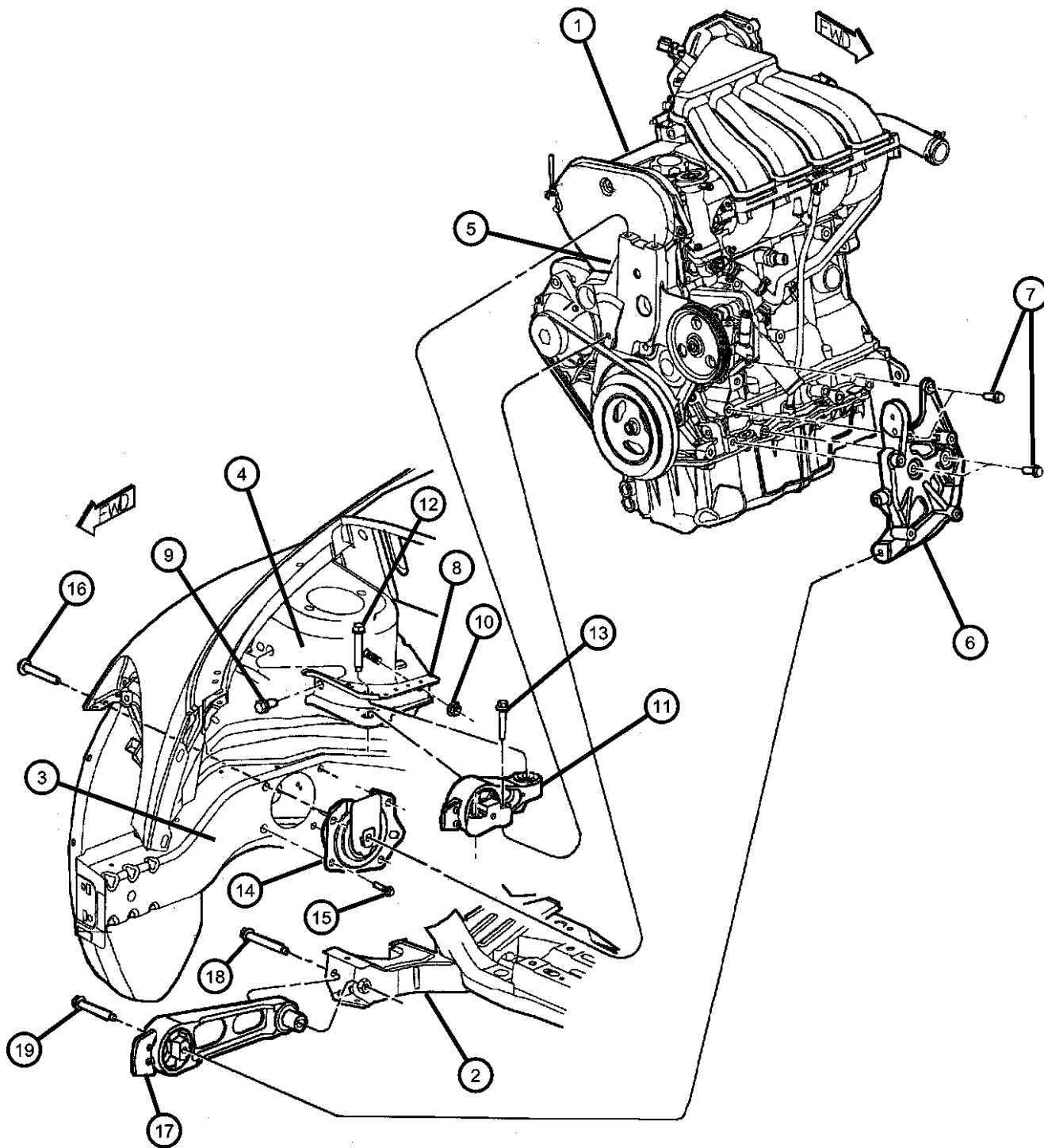
BODY
27 = 2-DR CONVERTIBLE
44 = HATCHBACK/QUAD CAB CHASSIS LWB

ENGINE	TRANSMISSION
EDJ = 2.2L 4 Cyl Turbo Diesel Engine	DGL = 4-Speed Automatic Transmission
EDT = 2.4L 4 Cyl DOHC 16V Turbo Engine	DD5 = 5-Speed Manual Transmission
EDV = 2.4L 4 Cyl DOHC 16V HO Turbo Engine	DDD = 5-Speed HD Manual Transmission
EDZ = 2.4L 4 Cyl DOHC 16V SMPI Engine	
EJD = 1.6L 4 Cyl SOHC 16V SMPI	

AR = use ase required - = Non illustrated part

2006 PT

Engine Mount - Front
Figure 9-130



ITEM	PART NUMBER	QTY	LINE	SERIES	BODY	ENGINE	TRANS	TRIM	DESCRIPTION
	05273550AC	1				EDT, EDV, EDZ			[27] Body Code, Body Side Right
15	06102067AA	4							BOLT, Engine Mount Right to Rail
16	06508086AA	1							SCREW, M12x1.75x85, Engine Mount Thru-Bolt Right
17	05274904AD	1				EDZ	DD5		ISOLATOR, Transmission Mount Assembly - Torque Reaction Strut - Lower
	05274903AD	1				EDZ	DGL		Assembly - Torque Reaction Strut - Lower
18	06505658AA	1							STUD, Torque Strut Lower to Suspension Crossmember
19	06506067AA	1				EDZ, EJD			BOLT, Torque Strut Lower To Engine Bracket

PT CRUISER (PT)

SERIES LINE
H = HIGHLINE C = CHRYSLER
P = PREMIUM Z = CHRYSLER (RHD)
S = SPORT
X = SPECIAL

BODY
27 = 2-DR CONVERTIBLE
44 = HATCHBACK/QUAD
CAB CHASSIS LWB

ENGINE TRANSMISSION
EDJ = 2.2L 4 Cyl Turbo Diesel Engine
EDT = 2.4L 4 Cyl DOHC 16V Turbo Engine
EDV = 2.4L 4 Cyl DOHC 16V HO Turbo Engine
EDZ = 2.4L 4 Cyl DOHC 16V SMPI Engine
EJD = 1.6L 4 Cyl SOHC 16V SMPI
DGL = 4-Speed Automatic Transmission
DD5 = 5-Speed Manual Transmission
DDD = 5-Speed HD Manual Transmission

AR = use ase required - = Non illustrated part

Engine Mount - Front
Figure 9-135

ITEM	PART NUMBER	QTY	LINE	SERIES	BODY	ENGINE	TRANS	TRIM	DESCRIPTION
------	-------------	-----	------	--------	------	--------	-------	------	-------------

NOTES:

Sales Code

[DDD]=5 Speed Heavy Duty Manual Transmission

[DGL]=4 Speed Automatic Transmission

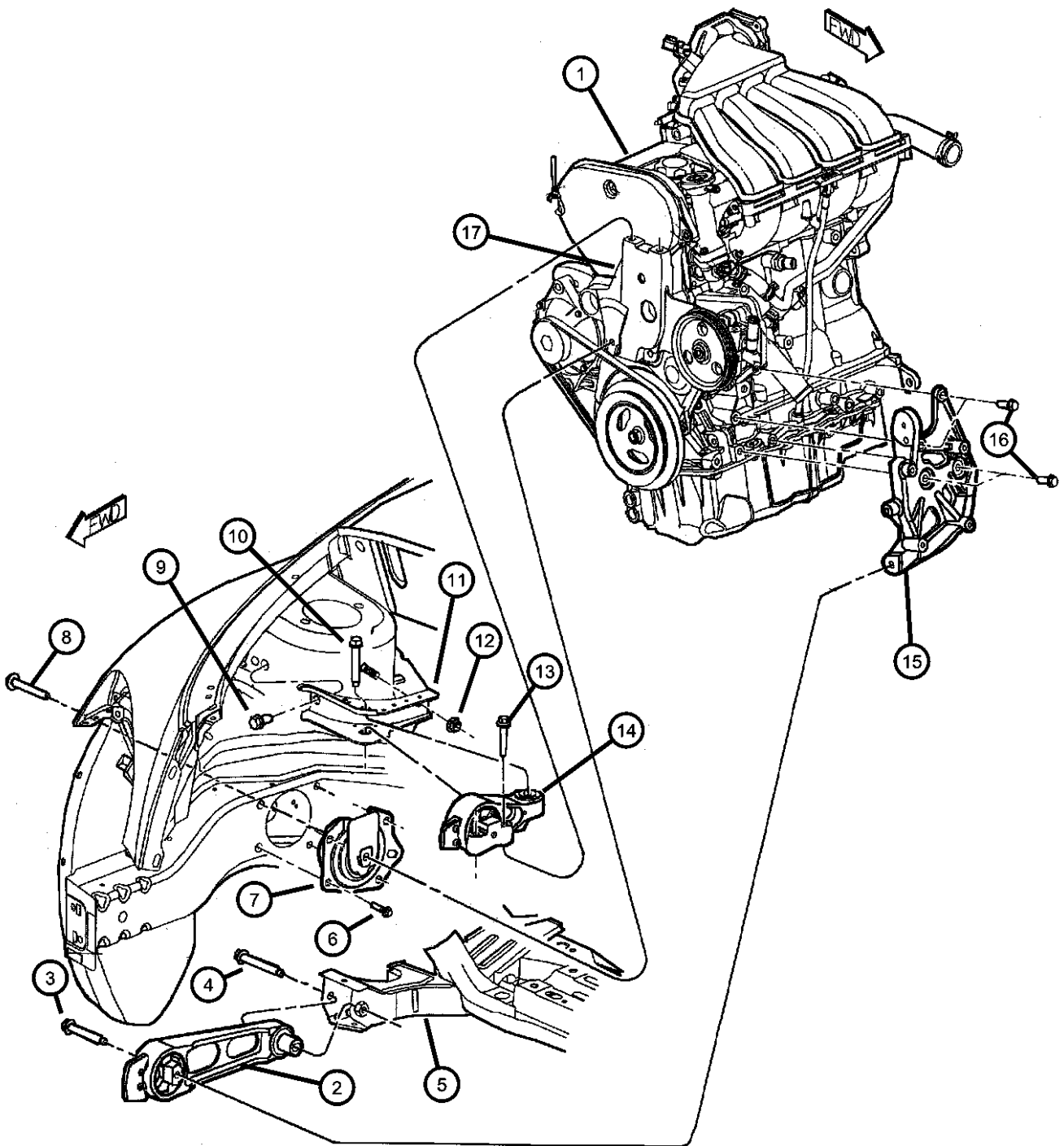
[DD5]=5 Speed Manual Transmission

[EDJ]=2.2L 4 Cylinder Turbo Diesel

[EDT]=2.4L Cylinder DOHC 16V Turbo Engine

[EDV]=2.4L Inline 4 Cylinder DOHC 16V High Output Turbo

[EDZ]=2.4L 4 Cylinder DOHC 16V SMPI



1	06506067AA	1							ENGINE, Complete, See Engine Group, (NOT SERVICED)
2	05274908AD	1				EDT, EDV	DGL		ISOLATOR, Transmission Mount
3	06504989AA	1				EDJ, EDT, EDV			SCREW AND WASHER, Hex Head, M14-2x95
4	06505658AA	1							STUD, Torque Strut To Crossmember
5	06505658AA	1							CROSSMEMBER, Front Suspension, See Group 13, (NOT SERVICED)
6	06102067AA	4							BOLT, Engine Mount To Frame Rail
7									SUPPORT, Engine Mount
	04668902AD	1							
	05273550AC	1				EDT, EDV, EDZ			[27] Body Code
8	06508086AA	1							SCREW, M12x1.75x85
9	06102237AA	1							BOLT
10	06507491AA	1							BOLT
11	04668865AC	1							BRACKET, Torque Reaction, Upper Torque Strut To Shock Tower
12	06503711	2							NUT, Hex Flange, M12x1.75
13	06505699AA	2							SCREW
14	05085121AC	1					DGL		ISOLATOR, Engine Mount
15	05085226AA	1				EDT, EDV	DGL		BRACKET, Torque Reaction
16	06101864	4				EDT, EDV, EDZ			SCREW AND WASHER, Hex Head, M10x1.5x35, Lower Torque Bracket To Block
17	05274500AB	1				EDT, EDV, EDZ			BRACKET, Engine Mount

PT CRUISER (PT)

SERIES LINE
H = HIGHLINE C = CHRYSLER
P = PREMIUM Z = CHRYSLER (RHD)
S = SPORT
X = SPECIAL

BODY
27 = 2-DR CONVERTIBLE
44 = HATCHBACK/QUAD
CAB CHASSIS LWB

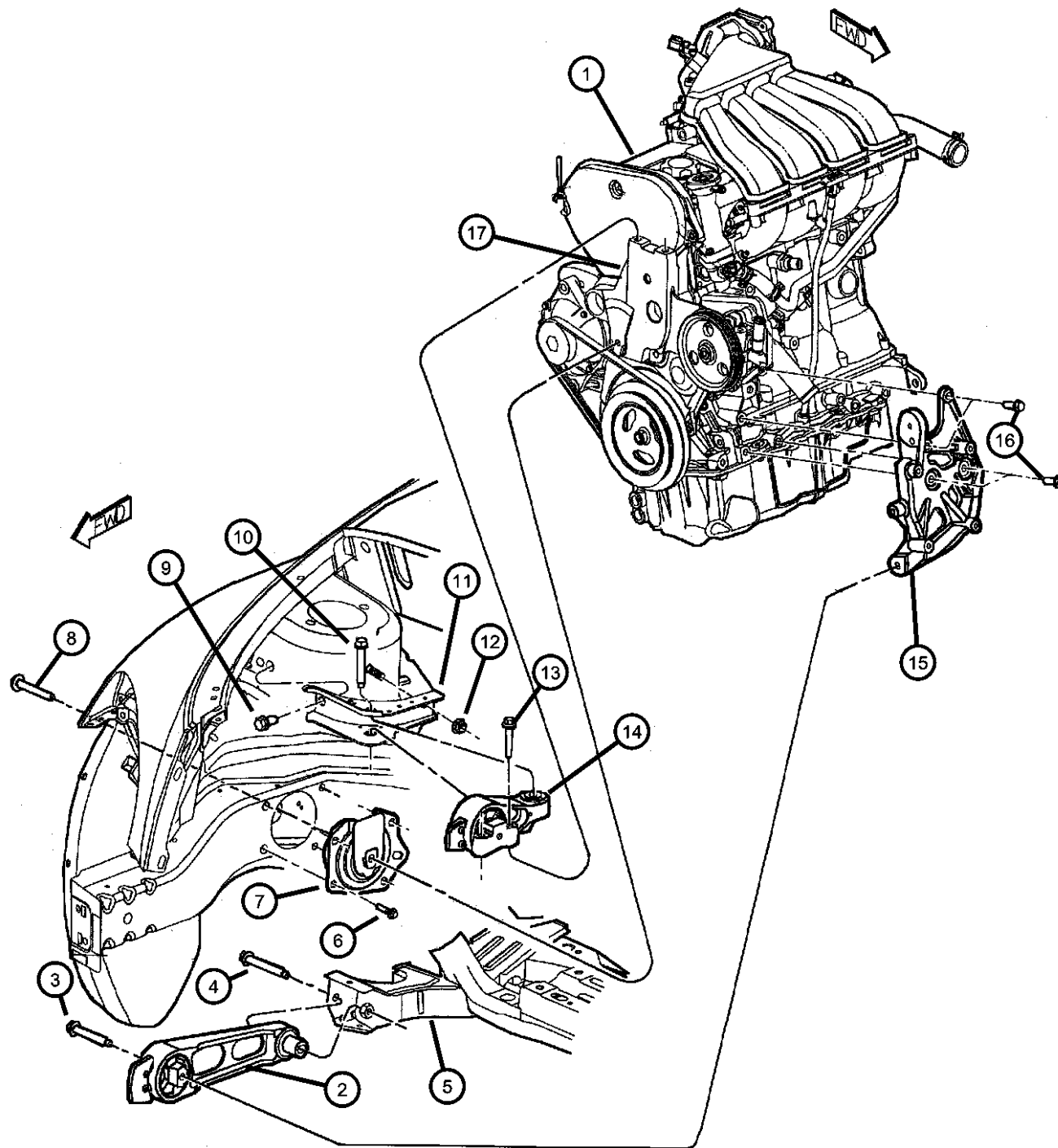
ENGINE
EDJ = 2.2L 4 Cyl Turbo Diesel Engine
EDT = 2.4L 4 Cyl DOHC 16V Turbo Engine
EDV = 2.4L 4 Cyl DOHC 16V HO Turbo Engine
EDZ = 2.4L 4 Cyl DOHC 16V SMPI Engine
EJD = 1.6L 4 Cyl SOHC 16V SMPI

TRANSMISSION
DGL = 4-Speed Automatic Transmission
DD5 = 5-Speed Manual Transmission
DDD = 5-Speed HD Manual Transmission

AR = use ase required - = Non illustrated part

2006 PT

Engine Mount - Front
Figure 9-140



ITEM	PART NUMBER	QTY	LINE	SERIES	BODY	ENGINE	TRANS	TRIM	DESCRIPTION
------	-------------	-----	------	--------	------	--------	-------	------	-------------

NOTES:

Sales Code

[DDD]=5 Speed Heavy Duty Manual Transmission

[DGL]=4 Speed Automatic Transmission

[DD5]=5 Speed Manual Transmission

[EDJ]=2.2L 4 Cylinder Turbo Diesel

[EDT]=2.4L Cylinder DOHC 16V Turbo Engine

[EDV]=2.4L Inline 4 Cylinder DOHC 16V High Output Turbo

[EDZ]=2.4L 4 Cylinder DOHC 16V SMPI

1	05274500AB	1							ENGINE, Complete, See Engine Group, (NOT SERVICED)
2									ISOLATOR, Transmission Mount
	05274907AE	1				EDV	DDD		Torque Reaction Lower
	05274908AD	1				EDT, EDV	DGL		Torque Reaction Lower
3	06504989AA	1				EDJ, EDT, EDV			SCREW AND WASHER, Hex Head, M14-2x95
4	06505658AA	1							STUD, Torque Strut To Crossmember
5	06505658AA	1							CROSSMEMBER, Front Suspension, See Group 13, (NOT SERVICED)
6	06102067AA	4							BOLT, Engine Mount To Frame Rail
7									SUPPORT, Engine Mount
	04668902AD	1							
	05273550AC	1				EDT, EDV, EDZ			[27] Body Code
8	06508086AA	1							SCREW, M12x1.75x85
9	06102237AA	1							BOLT
10	06507491AA	1							BOLT
11	04668865AC	1							BRACKET, Torque Reaction, Upper Torque Strut To Shock Tower
12	06503711	2							NUT, Hex Flange, M12x1.75
13	06505699AA	2							SCREW
14									ISOLATOR, Engine Mount
	05085121AC	1					DGL		Torque Reaction Upper
	05085122AB	1					DD5, DDD		Torque Reaction Upper
15									BRACKET, Torque Reaction
	05085226AA	1				EDT, EDV	DGL		Torque Reaction To Block

PT CRUISER (PT)

SERIES LINE
H = HIGHLINE C = CHRYSLER
P = PREMIUM Z = CHRYSLER (RHD)
S = SPORT
X = SPECIAL

BODY
27 = 2-DR CONVERTIBLE
44 = HATCHBACK/QUAD
CAB CHASSIS LWB

ENGINE
EDJ = 2.2L 4 Cyl Turbo Diesel
EDT = 2.4L 4 Cyl DOHC 16V Turbo Engine
EDV = 2.4L 4 Cyl DOHC 16V HO Turbo Engine
EDZ = 2.4L 4 Cyl DOHC 16V SMPI Engine
EJD = 1.6L 4 Cyl SOHC 16V SMPI

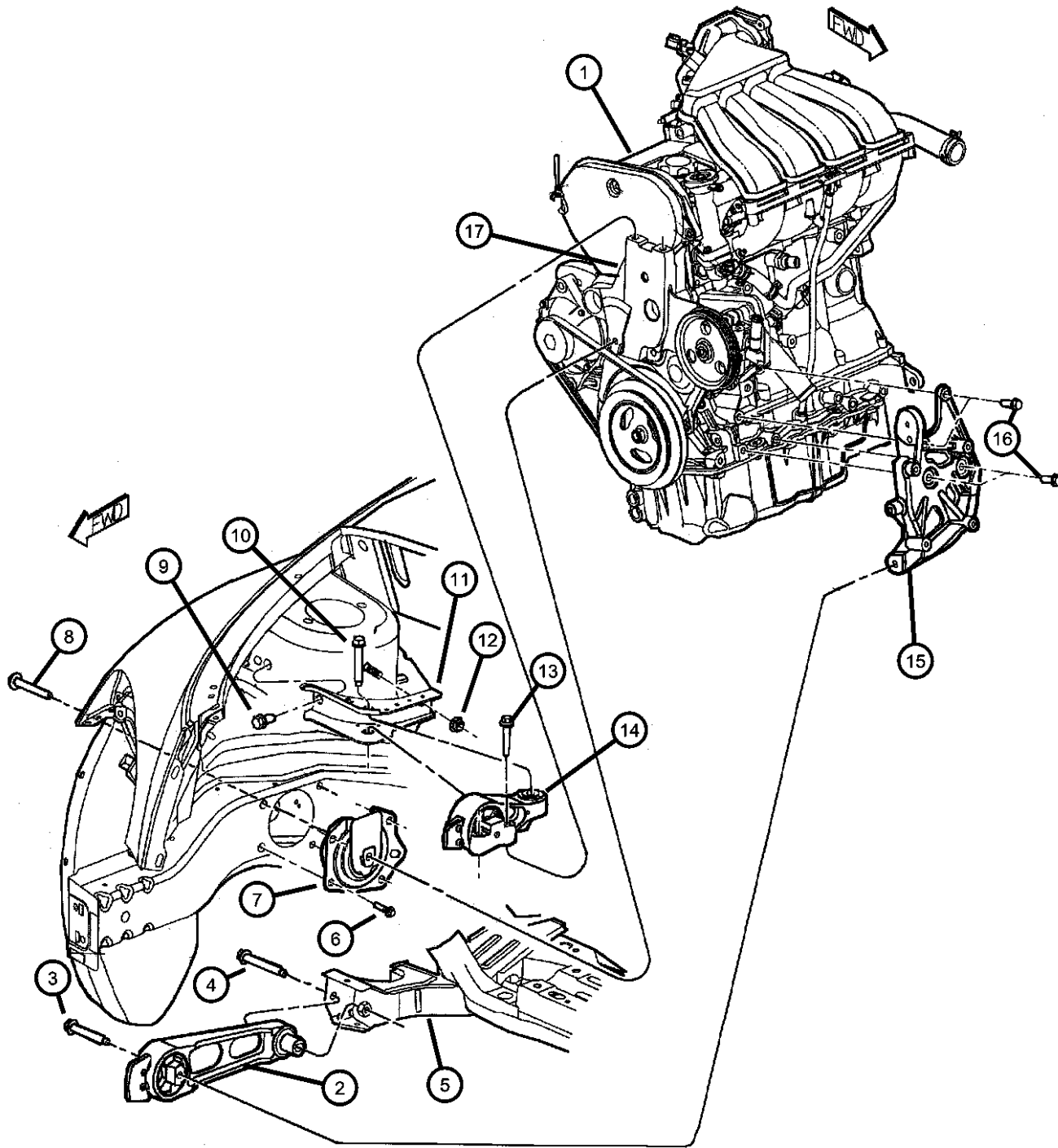
TRANSMISSION
DGL = 4-Speed Automatic Transmission
DD5 = 5-Speed Manual Transmission
DDD = 5-Speed HD Manual Transmission

AR = use ase required - = Non illustrated part

2006 PT

Engine Mount - Front
Figure 9-140

ITEM	PART NUMBER	QTY	LINE	SERIES	BODY	ENGINE	TRANS	TRIM	DESCRIPTION
	05085227AA	1				EDV	DDD		Torque Reaction To Block
16	06101864	4				EDT, EDV, EDZ			SCREW AND WASHER, Hex Head, M10x1.5x35, Lower Torque Bracket To Block
17	05274500AB	1				EDT, EDV, EDZ			BRACKET, Engine Mount



PT CRUISER (PT)

SERIES LINE
H = HIGHLINE C = CHRYSLER
P = PREMIUM Z = CHRYSLER (RHD)
S = SPORT
X = SPECIAL

BODY
27 = 2-DR CONVERTIBLE
44 = HATCHBACK/QUAD
CAB CHASSIS LWB

ENGINE
EDJ = 2.2L 4 Cyl Turbo Diesel Engine
EDT = 2.4L 4 Cyl DOHC 16V Turbo Engine
EDV = 2.4L 4 Cyl DOHC 16V HO Turbo Engine
EDZ = 2.4L 4 Cyl DOHC 16V SMPI Engine
EJD = 1.6L 4 Cyl SOHC 16V SMPI

TRANSMISSION
DGL = 4-Speed Automatic Transmission
DD5 = 5-Speed Manual Transmission
DDD = 5-Speed HD Manual Transmission

AR = use ase required - = Non illustrated part

2006 PT

**Transaxle Mounting Bracket
Figure 9-145**

ITEM	PART NUMBER	QTY	LINE	SERIES	BODY	ENGINE	TRANS	TRIM	DESCRIPTION
------	-------------	-----	------	--------	------	--------	-------	------	-------------

NOTE:

Sales Codes:

[DD5]=5 Speed Manual [T350] Transaxle

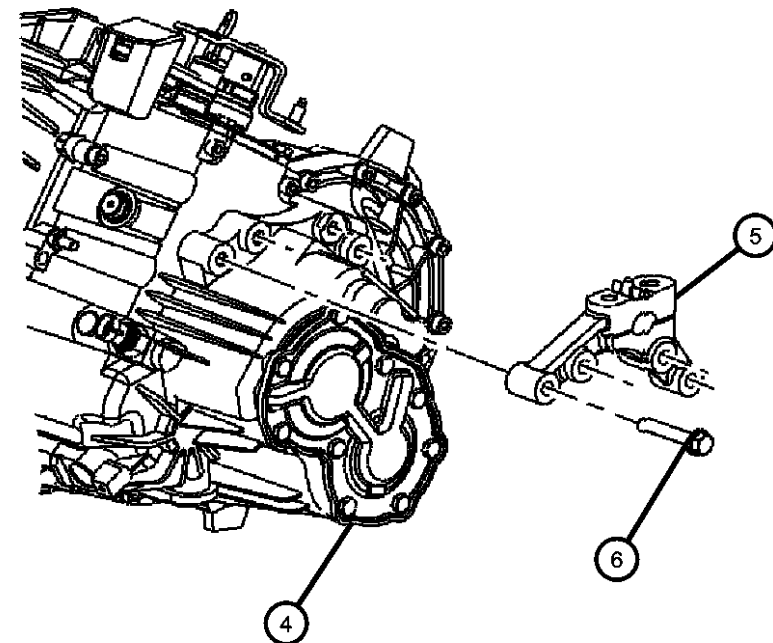
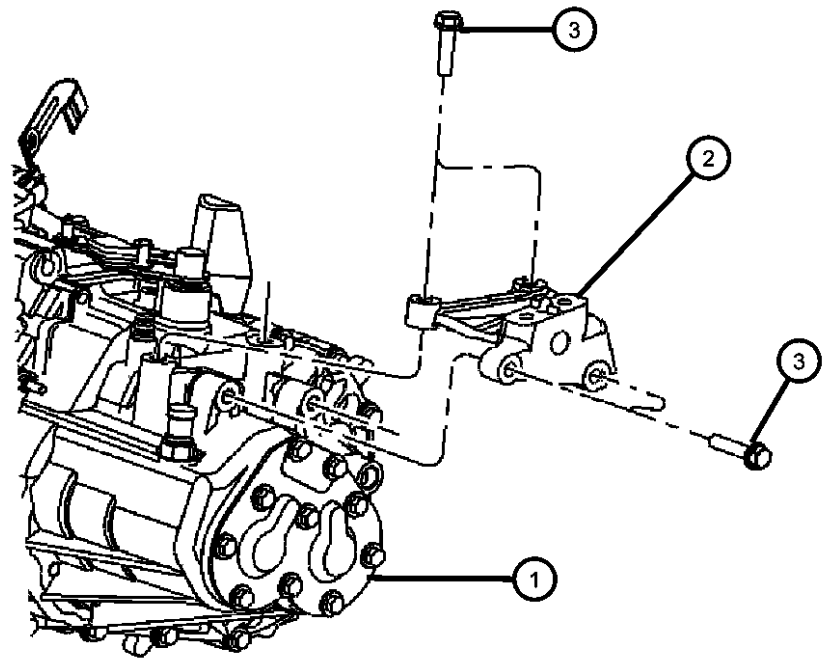
[DDD]=5 Speed Heavy Duty Manual [G288] Transaxle

[EDJ]=2.2L 4 Cylinder Turbo Diesel Engine

[EDV]=2.4L 4 Cylinder DOHC 16V High Output Turbo Engine

[EDZ]=2.4L 4 Cylinder DOHC 16V SMPI Engine

[EJD]=1.6L 4 Cylinder SOHC 16V SMPI Engine



1	05274500AB	1							TRANSAXLE, See Group [T350], (NOT SERVICED)
2	04668578AD	1				EDZ, EJD	DD5		SUPPORT, Engine Mount, Transaxle Side Left
3	06101512	4				EDZ, EJD	DD5		SCREW AND WASHER, Hex Head, M10x1.5x45
4	06101512	4							TRANSAXLE, See Group [GET288], (NOT SERVICED)
5	04668719AA	1				EDJ, EDV	DDD		BRACKET, Engine Mount, Transaxle Side Left
6	06101622	4				EDJ, EDV	DDD		SCREW AND WASHER, Hex Head, M10x1.5x55

PT CRUISER (PT)

SERIES	LINE
H = HIGHLINE	C = CHRYSLER
P = PREMIUM	Z = CHRYSLER (RHD)
S = SPORT	
X = SPECIAL	

BODY
27 = 2-DR CONVERTIBLE
44 = HATCHBACK/QUAD CAB CHASSIS LWB

ENGINE	TRANSMISSION
EDJ = 2.2L 4 Cyl Turbo Diesel Engine	DGL = 4-Speed Automatic Transmission
EDT = 2.4L 4 Cyl DOHC 16V Turbo Engine	DD5 = 5-Speed Manual Transmission
EDV = 2.4L 4 Cyl DOHC 16V HO Turbo Engine	DDD = 5-Speed HD Manual Transmission
EDZ = 2.4L 4 Cyl DOHC 16V SMPI Engine	
EJD = 1.6L 4 Cyl SOHC 16V SMPI	

AR = use ase required - = Non illustrated part

2006 PT

**Transaxle Mounting Bracket
Figure 9-150**

ITEM	PART NUMBER	QTY	LINE	SERIES	BODY	ENGINE	TRANS	TRIM	DESCRIPTION
------	-------------	-----	------	--------	------	--------	-------	------	-------------

NOTE:

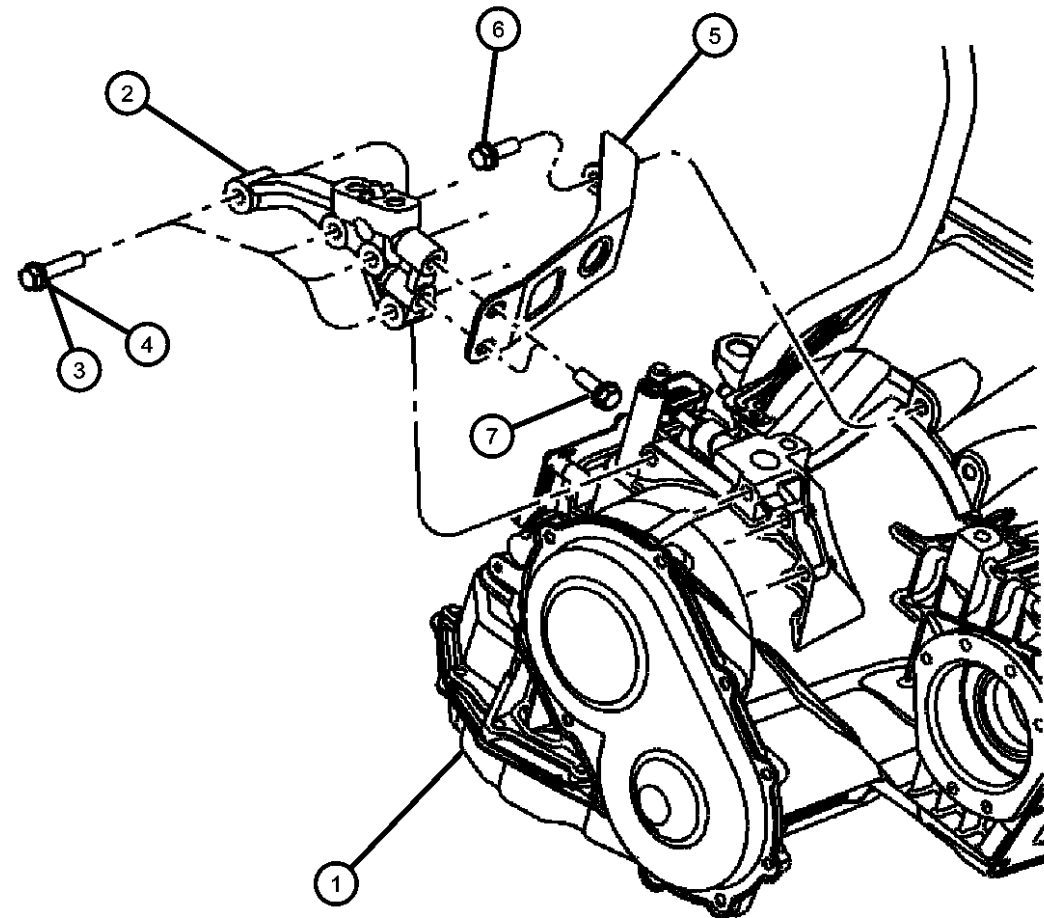
Sales Codes:

[DGL]=4 Speed Automatic Transaxle

[EDT]=2.4L 4 Cylinder DOHC 16V Turbo Engine

[EDV]=2.4L 4 Cylinder DOHC 16V High Output Turbo Engine

[EDZ]=2.4L 4 Cylinder DOHC 16V SMPI Engine



1	06101622	4							TRANSAXLE, See Transaxle Group, (NOT SERVICED)
2	04668628AB	1				EDZ	DGL		SUPPORT, Engine Mount Transaxle Side Left
	05274504AA	1				EDT, EDV	DGL		Transaxle Side Left
3	06101701	4				EDT, EDV	DGL		SCREW
4	06101622	4				EDZ	DGL		SCREW AND WASHER, Hex Head, M10x1.5x55, [M10X1.50X65.00]
5	04668629AB	1					DGL		BRACKET, Engine Mount, Cable Support
6	06506019AA	1					DGL		BOLT AND WASHER, Hex Head, M10x1.5x30
7	06506019AA	2					DGL		BOLT AND WASHER, Hex Head, M10x1.5x30

PT CRUISER (PT)

SERIES	LINE
H = HIGHLINE	C = CHRYSLER
P = PREMIUM	Z = CHRYSLER (RHD)
S = SPORT	
X = SPECIAL	

BODY
27 = 2-DR CONVERTIBLE
44 = HATCHBACK/QUAD CAB CHASSIS LWB

ENGINE	TRANSMISSION
EDJ = 2.2L 4 Cyl Turbo Diesel Engine	DGL = 4-Speed Automatic Transmission
EDT = 2.4L 4 Cyl DOHC 16V Turbo Engine	DD5 = 5-Speed Manual Transmission
EDV = 2.4L 4 Cyl DOHC 16V HO Turbo Engine	DDD = 5-Speed HD Manual Transmission
EDZ = 2.4L 4 Cyl DOHC 16V SMPI Engine	
EJD = 1.6L 4 Cyl SOHC 16V SMPI	

AR = use ase required - = Non illustrated part

2006 PT

**Transaxle Mounts
Figure 9-155**

ITEM	PART NUMBER	QTY	LINE	SERIES	BODY	ENGINE	TRANS	TRIM	DESCRIPTION
------	-------------	-----	------	--------	------	--------	-------	------	-------------

NOTE: Automatic Transaxle Illustrated but Installation is Similar for Manual Transaxle

Sales Codes:

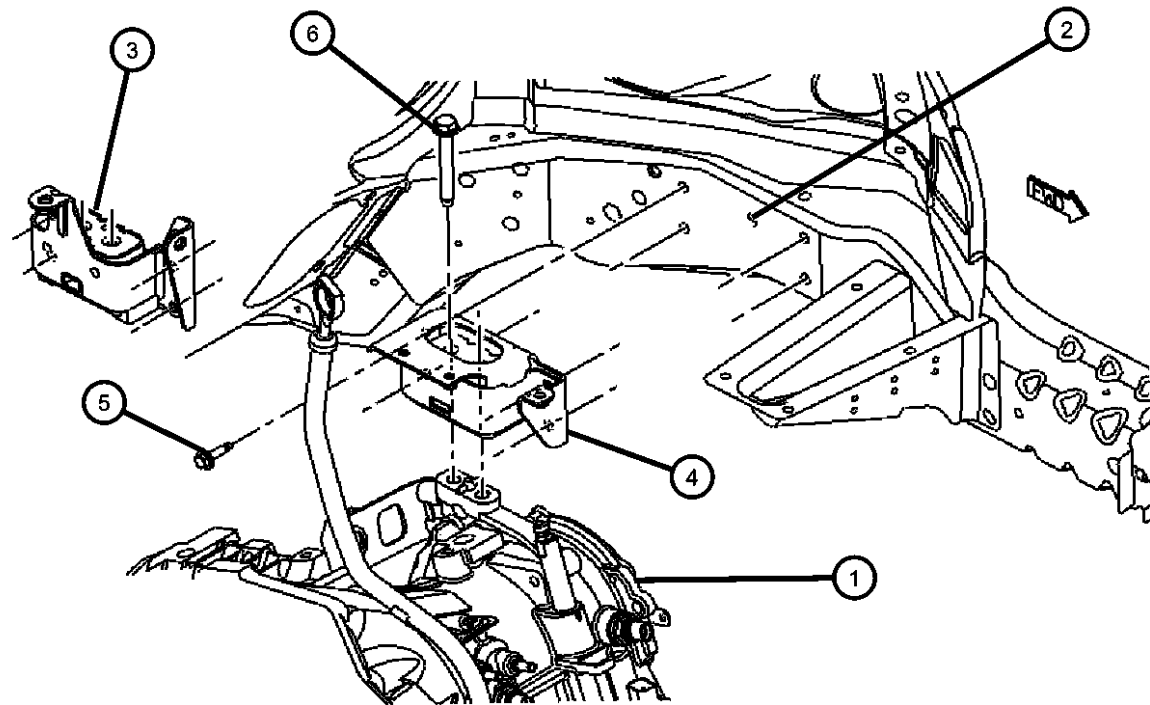
[EDJ]=2.2L 4 Cylinder Turbo Diesel Engine

[EDT]=2.4L 4 Cylinder DOHC 16V Turbo Engine

[EDV]=2.4L 4 Cylinder DOHC 16V High Output Turbo Engine

[EDZ]=2.4L 4 Cylinder DOHC 16V SMPI Engine

[EJD]=1.6L 4 Cylinder SOHC 16V SMPI Engine



1	06506019AA	2							TRANSAXLE, See Transaxle Group, (NOT SERVICED)
2	06506019AA	2							RAIL, Front Left, See Group 013, (NOT SERVICED)
3									SUPPORT, Engine Mount
	04668718AE	1				EDT, EDV			Transaxle Mount, Body Side Left
	05273798AB	1				EDJ			Transaxle Mount, Body Side Left
4	04668577AD	1				EDZ, EJD			SUPPORT, Engine Mount, Transaxle Mount, Body Side Left
5	06102067AA	4							BOLT, Transaxle Mount Left to Rail
6	06506394AA	2							BOLT, Transaxle Mount to Transaxle Bracket - Top Down

PT CRUISER (PT)

SERIES	LINE
H = HIGHLINE	C = CHRYSLER
P = PREMIUM	Z = CHRYSLER (RHD)
S = SPORT	
X = SPECIAL	

BODY
27 = 2-DR CONVERTIBLE
44 = HATCHBACK/QUAD CAB CHASSIS LWB

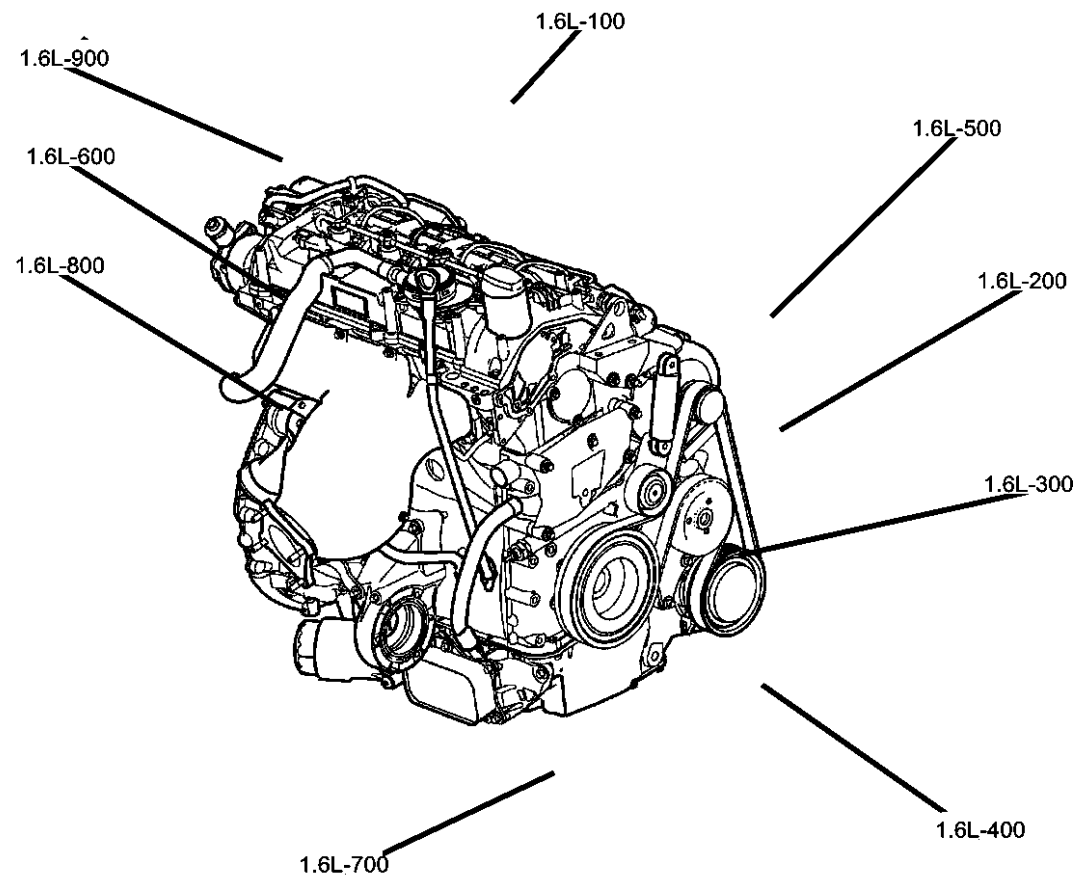
ENGINE	TRANSMISSION
EDJ = 2.2L 4 Cyl Turbo Diesel Engine	DGL = 4-Speed Automatic Transmission
EDT = 2.4L 4 Cyl DOHC 16V Turbo Engine	DD5 = 5-Speed Manual Transmission
EDV = 2.4L 4 Cyl DOHC 16V HO Turbo Engine	DDD = 5-Speed HD Manual Transmission
EDZ = 2.4L 4 Cyl DOHC 16V SMPI Engine	
EJD = 1.6L 4 Cyl SOHC 16V SMPI	

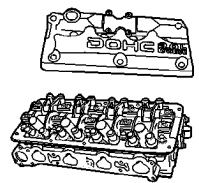
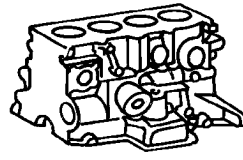
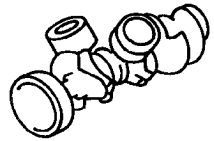
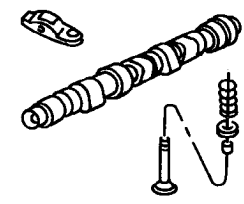
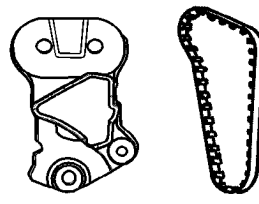
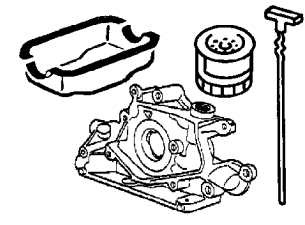
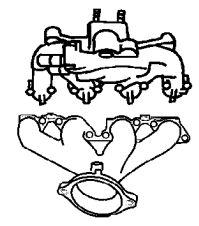
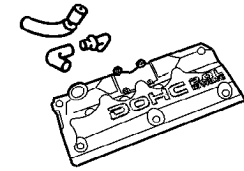
AR = use ase required - = Non illustrated part

2006 PT

Group - 1.6L

Engine 1.6L Four Cylinder



<p>1.6L-100 Engine Identification</p> <table border="1"> <tr> <td>X Model Year</td> <td>X Manufacturing Plant</td> <td>XXXXX Component Code/Design</td> <td>XXXX Month/Day</td> <td>XXXXXXXXXX Serial Code</td> </tr> <tr> <td>Last digit of model year</td> <td>Sutlu S Trenton T Tokoo K</td> <td>Engine</td> <td></td> <td>Last 8 Digits of VIN</td> </tr> </table>	X Model Year	X Manufacturing Plant	XXXXX Component Code/Design	XXXX Month/Day	XXXXXXXXXX Serial Code	Last digit of model year	Sutlu S Trenton T Tokoo K	Engine		Last 8 Digits of VIN	<p>1.6L-200 Cylinder Head</p> 	<p>1.6L-300 Cylinder Block</p> 	<p>1.6L-400 Crankshaft, Piston and Drive Plate</p> 
X Model Year	X Manufacturing Plant	XXXXX Component Code/Design	XXXX Month/Day	XXXXXXXXXX Serial Code									
Last digit of model year	Sutlu S Trenton T Tokoo K	Engine		Last 8 Digits of VIN									
<p>1.6L-500 Camshafts & Valve</p> 	<p>1.6L-600 Timing Belt/Chain and Cover</p> 	<p>1.6L-700 Engine Oiling</p> 	<p>1.6L-800 Manifolds</p> 										
<p>1.6L-900 Crankcase Ventilation</p> 													

Group - 1.6L Engine 1.6L Four Cylinder

Illustration Title	Group-Fig. No.
Engine Identification	
I.D. Location [EJD]	Fig. 1.6L - 110
Cylinder Head	
Cylinder Head [EJD]	Fig. 1.6L - 210
Cylinder Block	
Cylinder Block [EJD]	Fig. 1.6L - 310
Crankshaft, Piston and Drive Plate	
Crankshaft, Piston and Drive Plate [EJD]	Fig. 1.6L - 410
Camshafts & Valve	
Camshaft and Valves [EJD]	Fig. 1.6L - 510
Timing Belt/Chain and Cover	
Timing Chain and Cover [EJD]	Fig. 1.6L - 610
Engine Oiling	
Engine, Oiling [EJD]	Fig. 1.6L - 710
Manifolds	
Manifolds [EJD]	Fig. 1.6L - 810
Crankcase Ventilation	
Crankcase Ventilation System	Fig. 1.6L - 910

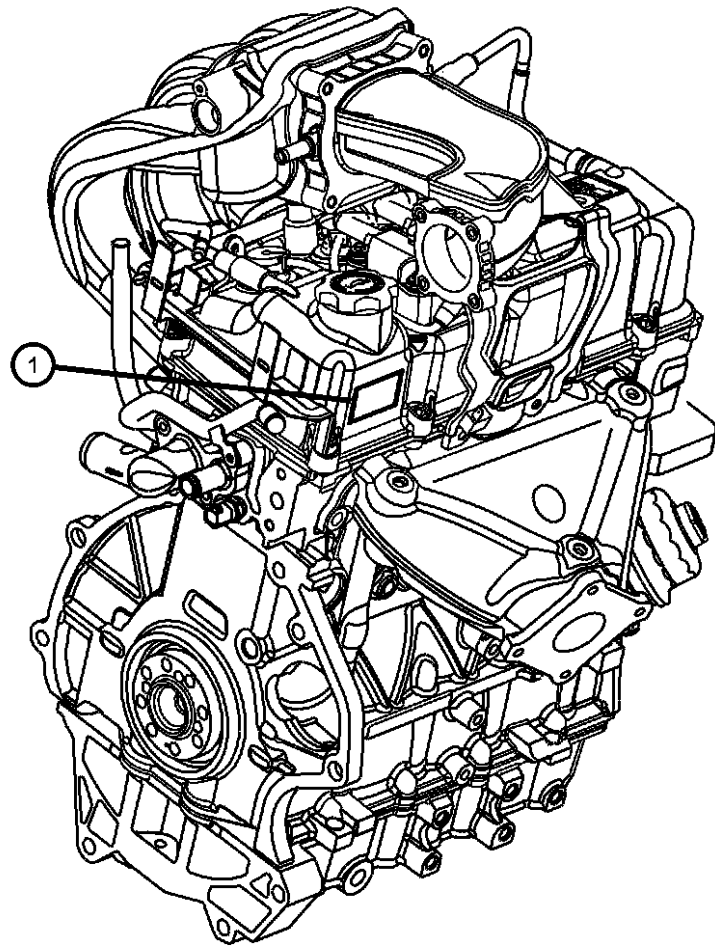
I.D. Location [EJD]
Figure 1.6L-110

ITEM	PART NUMBER	QTY	LINE	SERIES	BODY	ENGINE	TRANS	TRIM	DESCRIPTION
------	-------------	-----	------	--------	------	--------	-------	------	-------------

Engine ID is located on the left bank at the rear of the block just below the head.
NOTE: Sales Codes
[EJD] = 1.6L 4 Cylinder SOHC 16V SMPI

1 06506394AA 2

LABEL, Engine Identification, (NOT SERVICED)



PT CRUISER (PT)

SERIES LINE
H = HIGHLINE C = CHRYSLER
P = PREMIUM Z = CHRYSLER (RHD)
S = SPORT
X = SPECIAL

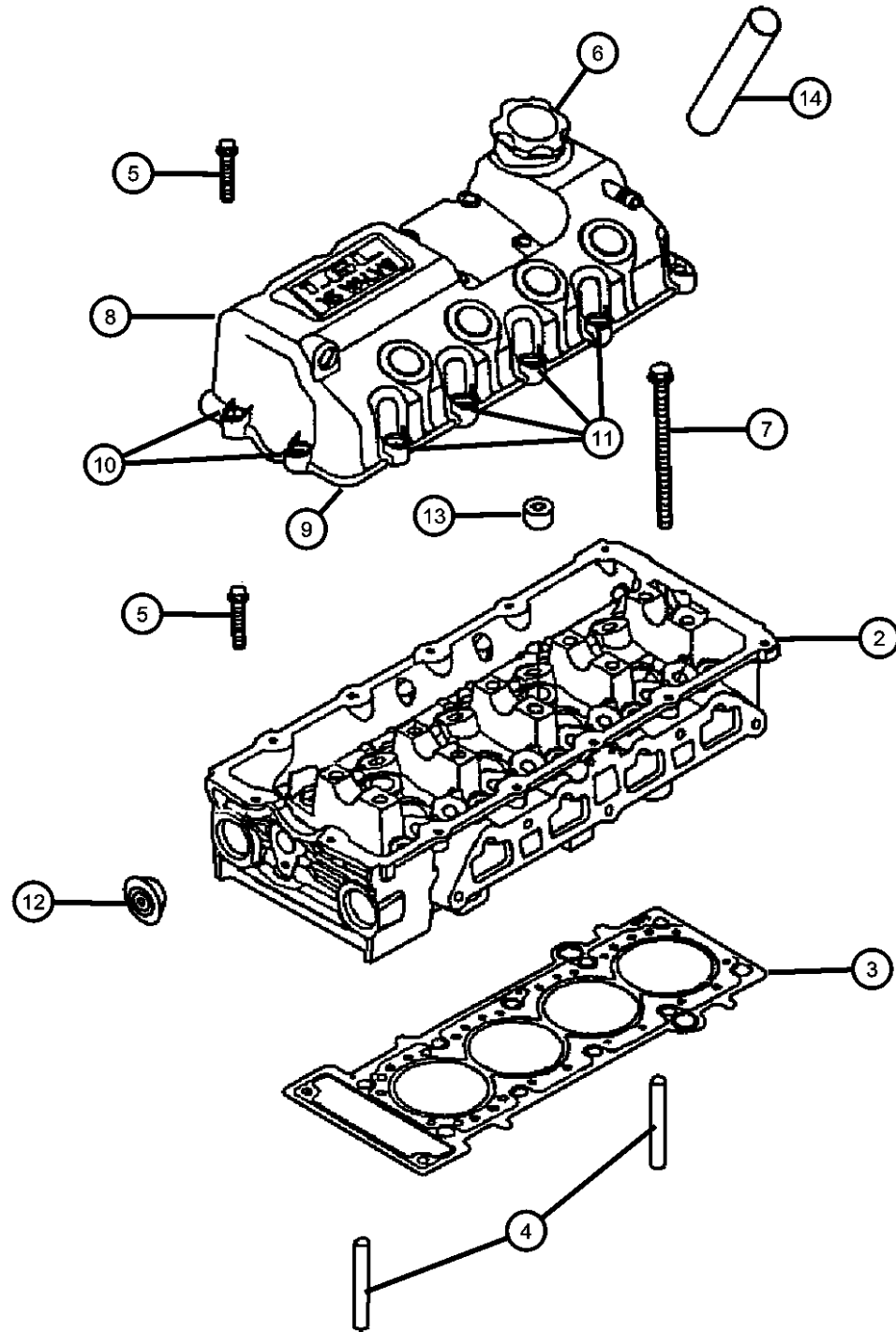
BODY
27 = 2-DR CONVERTIBLE
44 = HATCHBACK/QUAD
CAB CHASSIS LWB

ENGINE TRANSMISSION
EDJ = 2.2L 4 Cyl Turbo Diesel Engine
EDT = 2.4L 4 Cyl DOHC 16V Turbo Engine
EDV = 2.4L 4 Cyl DOHC 16V HO Turbo Engine
EDZ = 2.4L 4 Cyl DOHC 16V SMPI Engine
EJD = 1.6L 4 Cyl SOHC 16V SMPI
DGL = 4-Speed Automatic Transmission
DD5 = 5-Speed Manual Transmission
DDD = 5-Speed HD Manual Transmission

AR = use ase required - = Non illustrated part

2006 PT

**Cylinder Head [EJD]
Figure 1.6L-210**



ITEM	PART NUMBER	QTY	LINE	SERIES	BODY	ENGINE	TRANS	TRIM	DESCRIPTION
NOTE: An Upper Gasket Package is not available. Service individual parts. Sales Codes [EJD] = 1.6L 4 Cylinder SOHC 16V SMPI									
-1	06506394AA	2							GASKET PACKAGE, Engine Upper, See Notes, (NOT SERVICED)
2	04777739AB	1				EJD			HEAD, Cylinder
3	04693083AA	1				EJD			GASKET, Cylinder Head
4	53010533AA	2				EJD			DOWEL
5	06101940	2				EJD			SCREW
6	04693134AA	1				EJD			CAP, Oil Filler, Includes O-Ring
7									O RING
	68029299AA	1			C, Z	EJD			Oil Filler Cap 27
		1			Z, C	EJD			Oil Filler Cap
8	06505239AA	10				EJD			BOLT, Hex Head
9	04777796AG	1				EJD			COVER, Cylinder Head
10	04777799AA	1				EJD			GASKET, Cylinder Cover
11	04693174AA	4				EJD			ISOLATOR, Cylinder Head Cover, Grommet And Bolt
12	04777997AA	8				EJD			ISOLATOR, Cylinder Head Cover, Grommet And Bolt
13	04693124AA	2				EJD			PLUG, [M33x2]
14	06036346AA	2				EJD			PLUG, Pipe, [.50-14x.63]
15	04777794AA	4				EJD			TUBE, Spark Plug

PT CRUISER (PT)

SERIES LINE
H = HIGHLINE C = CHRYSLER
P = PREMIUM Z = CHRYSLER (RHD)
S = SPORT
X = SPECIAL

BODY
27 = 2-DR CONVERTIBLE
44 = HATCHBACK/QUAD
CAB CHASSIS LWB

ENGINE
EDJ = 2.2L 4 Cyl Turbo Diesel Engine
EDT = 2.4L 4 Cyl DOHC 16V Turbo Engine
EDV = 2.4L 4 Cyl DOHC 16V HO Turbo Engine
EDZ = 2.4L 4 Cyl DOHC 16V SMPI Engine
EJD = 1.6L 4 Cyl SOHC 16V SMPI

TRANSMISSION
DGL = 4-Speed Automatic Transmission
DD5 = 5-Speed Manual Transmission
DDD = 5-Speed HD Manual Transmission

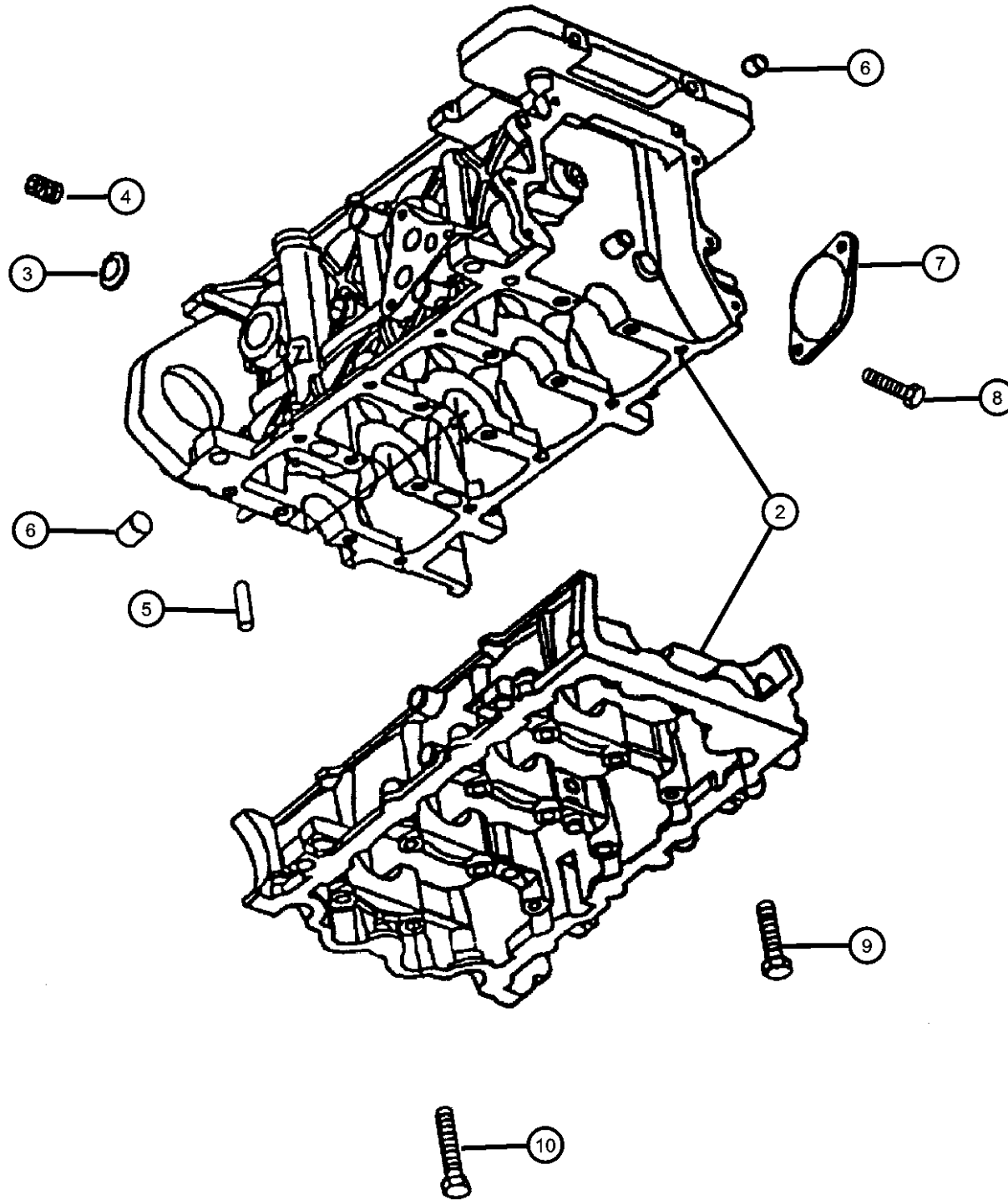
AR = use ase required - = Non illustrated part

2006 PT

**Cylinder Block [EJD]
Figure 1.6L-310**

ITEM	PART NUMBER	QTY	LINE	SERIES	BODY	ENGINE	TRANS	TRIM	DESCRIPTION
------	-------------	-----	------	--------	------	--------	-------	------	-------------

NOTE: Sales Codes
[EJD] = 1.6L 4 Cylinder SOHC 16V SMPI



-1	05066616AA	1				EJD			GASKET PACKAGE, Engine Lower
2	05066416AF	1				EJD			BLOCK, Short
3	06034804	2				EJD			PLUG, Core, 1.39 Diameter
4	06035743	1				EJD			PLUG, Water Jacket (.25-18x.56]
5	04694106	3				EJD			DOWEL, Engine Block To Bedplate
6	04556018AB	2				EJD			PLUG, Cylinder Block Oil Hole
7	04693156AA	1				EJD			PLATE, Cylinder Block Core Hole
8	06506567AA	2				EJD			SCREW AND WASHER, Hex Head, M6 x 1.0 x 16.0
9	06505763AA	7				EJD			BOLT, [M8x1.25x85.0]
10	06100945	10				EJD			BOLT, Hex Head, M10x1.50x75

PT CRUISER (PT)

SERIES LINE
H = HIGHLINE C = CHRYSLER
P = PREMIUM Z = CHRYSLER (RHD)
S = SPORT
X = SPECIAL

BODY
27 = 2-DR CONVERTIBLE
44 = HATCHBACK/QUAD
CAB CHASSIS LWB

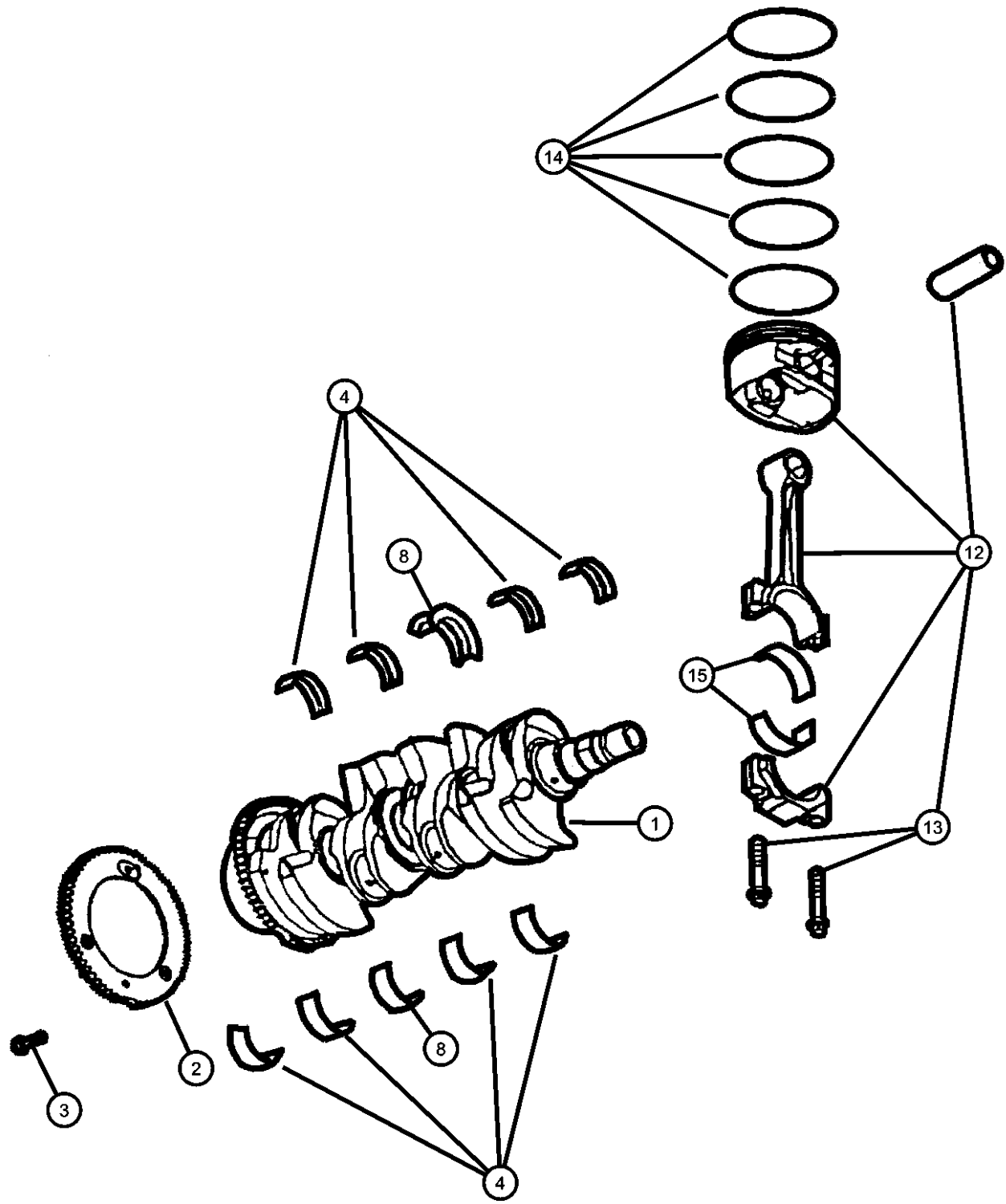
ENGINE
EDJ = 2.2L 4 Cyl Turbo Diesel Engine
EDT = 2.4L 4 Cyl DOHC 16V Turbo Engine
EDV = 2.4L 4 Cyl DOHC 16V HO Turbo Engine
EDZ = 2.4L 4 Cyl DOHC 16V SMPI Engine
EJD = 1.6L 4 Cyl SOHC 16V SMPI

TRANSMISSION
DGL = 4-Speed Automatic Transmission
DD5 = 5-Speed Manual Transmission
DDD = 5-Speed HD Manual Transmission

AR = use ase required - = Non illustrated part

2006 PT

**Crankshaft, Piston and Drive Plate [EJD]
Figure 1.6L-410**



ITEM	PART NUMBER	QTY	LINE	SERIES	BODY	ENGINE	TRANS	TRIM	DESCRIPTION
------	-------------	-----	------	--------	------	--------	-------	------	-------------

NOTE: Sales Codes
[EJD] = 1.6L 4 Cylinder SOHC 16V SMPI

1	04777864AF	1				EJD			CRANKSHAFT
2	04777685AC	1				EJD			DISC, Crankshaft Position Indicator
3	06505673AA	3				EJD			SCREW
4	05015902AA	AR				EJD			BEARING PACKAGE, Crankshaft, Standard
-5	05015903AA	AR				EJD			BEARING PACKAGE, Crankshaft, .016mm Undersize
-6	05015904AA	5				EJD			BEARING PACKAGE, Crankshaft, .032mm Undersize
-7	05015905AA	AR				EJD			BEARING PACKAGE, Crankshaft, .25mm Undersize
8	05015906AB	1				EJD			BEARING PACKAGE, Crankshaft Thrust, STD.
-9	05015907AB	1				EJD			BEARING PACKAGE, Crankshaft Thrust, .016mm Undersize
-10	05015908AB	1				EJD			BEARING PACKAGE, Crankshaft Thrust, .032mm Undersize
-11	05015909AB	1				EJD			BEARING PACKAGE, Crankshaft Thrust, .25mm Undersize
12	04777711AC	4				EJD			PISTON PIN AND ROD
13	06505279AA	8				EJD			BOLT, Connecting Rod
14	05019834AA	4				EJD			RING PACKAGE, Piston
15	05015910AA	4				EJD			BEARING PACKAGE, Connecting Rod, Standard
-16	05015911AA	4				EJD			BEARING PACKAGE, Connecting Rod, .016mm Undersize
-17	05015912AA	AR				EJD			BEARING PACKAGE, Connecting Rod, .032mm Undersize
-18	05015913AA	AR				EJD			BEARING PACKAGE, Connecting Rod, .25mm Undersize
-19	04667198	1				EJD			SEAL, Front Main Crankshaft

PT CRUISER (PT)

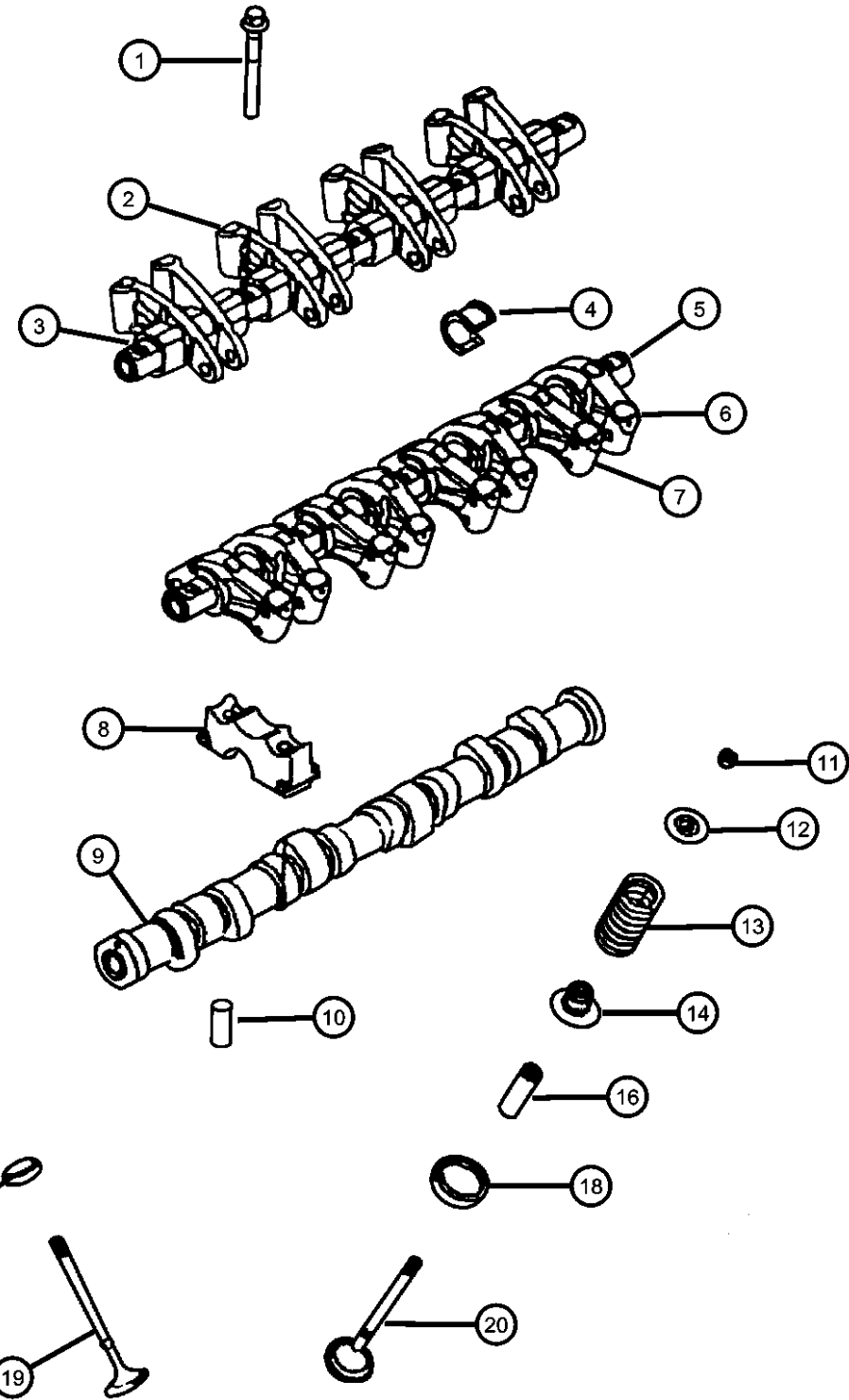
SERIES	LINE
H = HIGHLINE	C = CHRYSLER
P = PREMIUM	Z = CHRYSLER (RHD)
S = SPORT	
X = SPECIAL	

BODY
27 = 2-DR CONVERTIBLE
44 = HATCHBACK/QUAD CAB CHASSIS LWB

ENGINE EDJ = 2.2L 4 Cyl Turbo Diesel Engine EDT = 2.4L 4 Cyl DOHC 16V Turbo Engine EDV = 2.4L 4 Cyl DOHC 16V HO Turbo Engine EDZ = 2.4L 4 Cyl DOHC 16V SMPI Engine EJD = 1.6L 4 Cyl SOHC 16V SMPI	TRANSMISSION DGL = 4-Speed Automatic Transmission DD5 = 5-Speed Manual Transmission DDD = 5-Speed HD Manual Transmission
---	--

AR = use ase required - = Non illustrated part

**Camshaft and Valves [EJD]
Figure 1.6L-510**



ITEM	PART NUMBER	QTY	LINE	SERIES	BODY	ENGINE	TRANS	TRIM	DESCRIPTION
NOTE: Sales Codes [EJD] = 1.6L 4 Cylinder SOHC 16V SMPI									
1	06501689	1				EJD			BOLT, Hex Flange Head, M8x1.25x65
2	04693304AA	4				EJD			ROCKER ARM, Exhaust
3	04777785AA	1				EJD			SHAFT, Rocker ArmExhaust
4	04777783AA	4				EJD			SPACER, Rocker Shaft
5	04777776AA	1				EJD			SHAFT, Rocker ArmIntake
6	04777778AB	4				EJD			ROCKER ARM, Intake
7	04777879AB	4				EJD			ROCKER ARM, Intake
8	04777879AB	4							CAP, Rocker Shaft, Serviced in Cyl Head, (NOT SERVICED)
9	04693122AA	1				EJD			CAMSHAFT
10	04693122AA	1							DOWEL, Camshaft Retainer, Serviced in Cyl Head, (NOT SERVICED)
11	04777050AC	32				EJD			LOCK, Valve Spring Retainer
12	04777774AA	16				EJD			RETAINER, Valve Spring
13	04777773AA	16				EJD			SPRING, Valve
14	04663904	16				EJD			SEAL, Valve Guide
15	04663904	16							GUIDE, Exhaust Valve, 0.05mm Oversize, Serviced in Cyl Head, (NOT SERVICED)
16	04663904	16							GUIDE, Intake Valve, 0.05mm Oversize, Serviced in Cyl Head, (NOT SERVICED)
17	04663904	16							SEAT, Exhaust Valve, Serviced in Cyl Head, (NOT SERVICED)
18	04663904	16							SEAT, Intake Valve, Serviced in Cyl Head, (NOT SERVICED)
19	04777772AC	8				EJD			VALVE, Exhaust, Standard
20	04777770AB	8				EJD			VALVE, Intake, Standard
-21	06506647AA	1				EJD			PINCamshaft Sprocket

PT CRUISER (PT)

SERIES LINE
H = HIGHLINE C = CHRYSLER
P = PREMIUM Z = CHRYSLER (RHD)
S = SPORT
X = SPECIAL

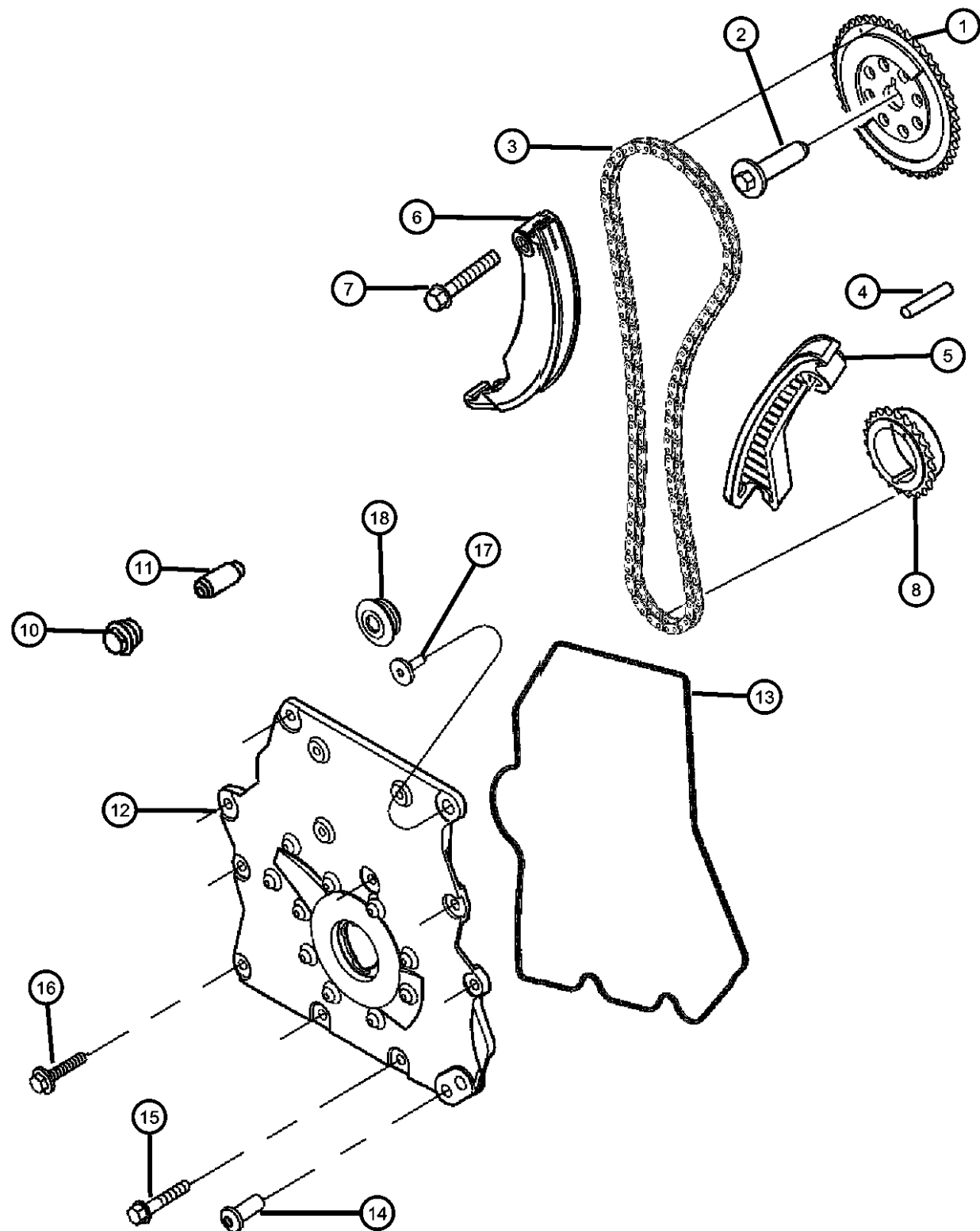
BODY
27 = 2-DR CONVERTIBLE
44 = HATCHBACK/QUAD
CAB CHASSIS LWB

ENGINE
EDJ = 2.2L 4 Cyl Turbo Diesel Engine
EDT = 2.4L 4 Cyl DOHC 16V Turbo Engine
EDV = 2.4L 4 Cyl DOHC 16V HO Turbo Engine
EDZ = 2.4L 4 Cyl DOHC 16V SMPI Engine
EJD = 1.6L 4 Cyl SOHC 16V SMPI

TRANSMISSION
DGL = 4-Speed Automatic Transmission
DD5 = 5-Speed Manual Transmission
DDD = 5-Speed HD Manual Transmission

AR = use ase required - = Non illustrated part

**Timing Chain and Cover [EJD]
Figure 1.6L-610**



ITEM	PART NUMBER	QTY	LINE	SERIES	BODY	ENGINE	TRANS	TRIM	DESCRIPTION
------	-------------	-----	------	--------	------	--------	-------	------	-------------

NOTE: Sales Codes
[EJD] = 1.6L 4 Cylinder SOHC 16V SMPI

1	04777736AB	1				EJD			SPROCKET, Camshaft
2	06506197AA	1				EJD			SCREW, [M12x1.5x52.0]
3	04777699AA	1				EJD			CHAIN, Timing
4	06505758AA	1				EJD			PIN, Timing Chain Guide
5	04777707AA	1				EJD			GUIDE, Timing Chain, Fixed
6	04777710AB	1				EJD			GUIDE, Timing Chain Tensioner
7	06505825AA	2				EJD			BOLT, Hex Flange Head, M8x1.25x45
8	04777694AB	1				EJD			SPROCKET, Crankshaft
-9	06506196AA	1				EJD			PIN Crankshaft Sprocket
10	04693110AB	1				EJD			PLUG Camshaft Sprocket
11	04693261AB	1				EJD			TENSIONER, Belt, Timing Chain
12	04777836AC	1				EJD			COVER, Timing Case
13	04777680AA	1				EJD			SEAL, Chain Case Cover
14	06506620AA	1				EJD			SCREW
15	06102001	8				EJD			BOLT AND WASHER, M6x12
16	06506062AA	1				EJD			SCREW
17	06505690AA	1				EJD			SCREW, [M6x1.0x20.0]
18	04693124AA	2				EJD			PLUG, [33x2.0]

PT CRUISER (PT)

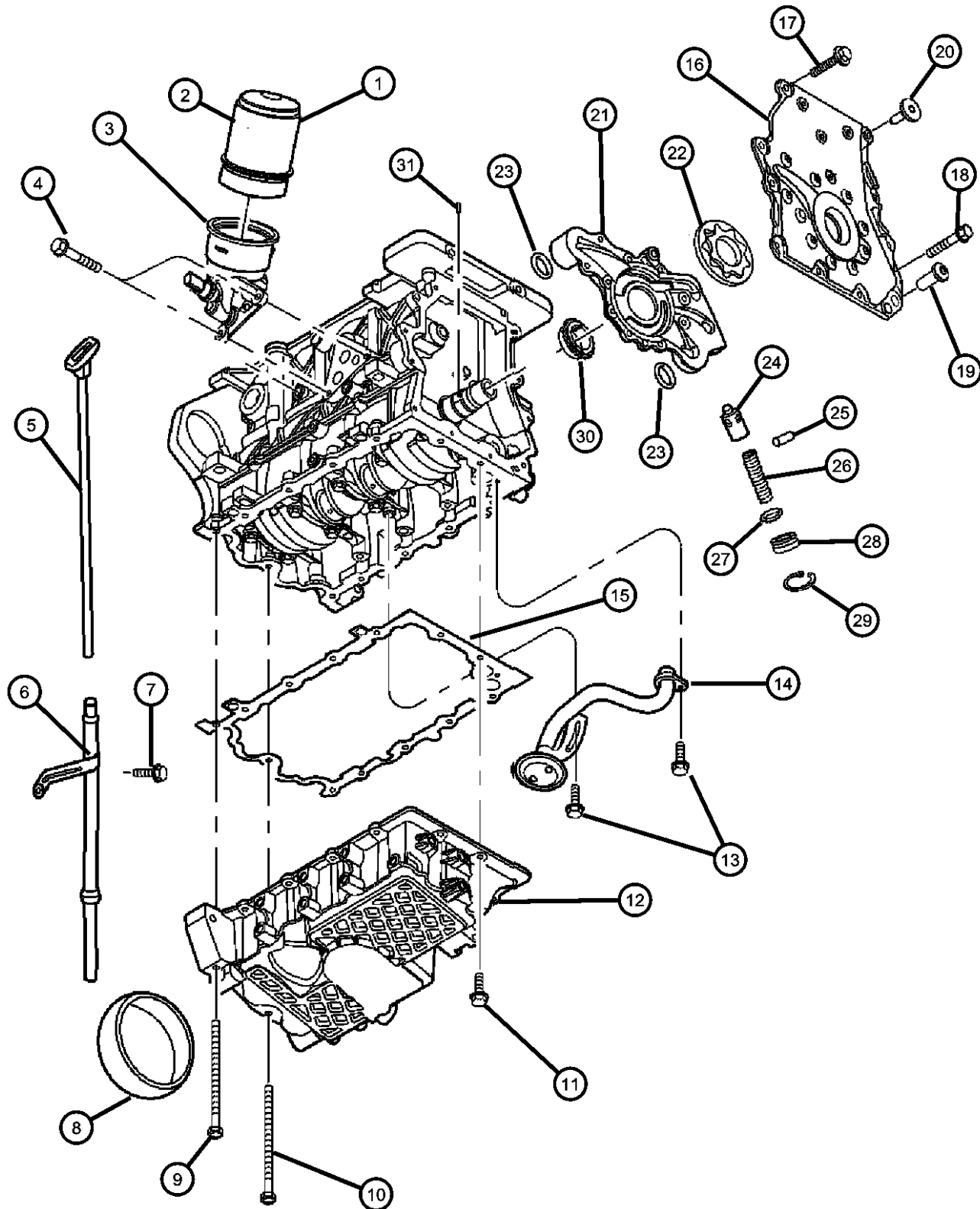
SERIES LINE
H = HIGHLINE C = CHRYSLER
P = PREMIUM Z = CHRYSLER (RHD)
S = SPORT
X = SPECIAL

BODY
27 = 2-DR CONVERTIBLE
44 = HATCHBACK/QUAD
CAB CHASSIS LWB

ENGINE TRANSMISSION
EDJ = 2.2L 4 Cyl Turbo Diesel Engine
EDT = 2.4L 4 Cyl DOHC 16V Turbo Engine
EDV = 2.4L 4 Cyl DOHC 16V HO Turbo Engine
EDZ = 2.4L 4 Cyl DOHC 16V SMPI Engine
EJD = 1.6L 4 Cyl SOHC 16V SMPI
DGL = 4-Speed Automatic Transmission
DD5 = 5-Speed Manual Transmission
DDD = 5-Speed HD Manual Transmission

AR = use ase required - = Non illustrated part

**Engine, Oiling [EJD]
Figure 1.6L-710**



ITEM	PART NUMBER	QTY	LINE	SERIES	BODY	ENGINE	TRANS	TRIM	DESCRIPTION
------	-------------	-----	------	--------	------	--------	-------	------	-------------

NOTE: Sales Codes
[EJD] = 1.6L 4 Cylinder SOHC 16V SMPI

1	04693270AC	1				EJD			CAP, Oil Filter Adapter
2	05139034AA	1				EJD			FILTER PACKAGE, Engine Oil
3	04693355AA	1				EJD			ADAPTER, Oil Filter
4	06101611	3				EJD			SCREW AND WASHER, Hex Head, M8x1.25x25
5	04693192AB	1				EJD			INDICATOR, Engine Oil Level
6	04693191AB	1				EJD			TUBE, Engine Oil Indicator
7	06101996	1				EJD			BOLT
8	04621939AB	1				EJD			SEAL, Rear Main Crankshaft
9	06506401AA	1				EJD			SCREW AND WASHER, Hex Head, M6 x 1.0 x 16.0
10	06506402AA	1				EJD			SCREW AND WASHER, Hex Head, M6 x 1.0 x 16.0
11	06506403AA	11				EJD			SCREW AND WASHER, Hex Head, M6 x 1.0 x 16.0
12	04777833AD	1				EJD			PAN, Engine Oil
13	06101010	2				EJD			SCREW AND WASHER, Hex Head, M6x1x18
14	04693165AA	1				EJD			PICKUP, Engine Oil
15	04777835AA	1				EJD			GASKET, Oil Pan
16	04777836AC	1				EJD			COVER, Timing Case
17	06505690AA	1				EJD			SCREW
18	06102001	8				EJD			BOLT AND WASHER, M6x12
19	06506620AA	1				EJD			SCREW
20	06506062AA	1				EJD			SCREW, [M6x1.0x30.5]
21	04693103AA	1				EJD			HOUSING, Pump
22	05066741AA	1				EJD			ROTOR PACKAGE, Oil Pump
23									SEAL, Oil Pump
	04693104AA	1				EJD			Inlet
	04693164AA	1				EJD			Outlet
24	04693105AA	1				EJD			PLUNGER, Oil Pressure Relief Valve
25									PIN

PT CRUISER (PT)

SERIES LINE
H = HIGHLINE C = CHRYSLER
P = PREMIUM Z = CHRYSLER (RHD)
S = SPORT
X = SPECIAL

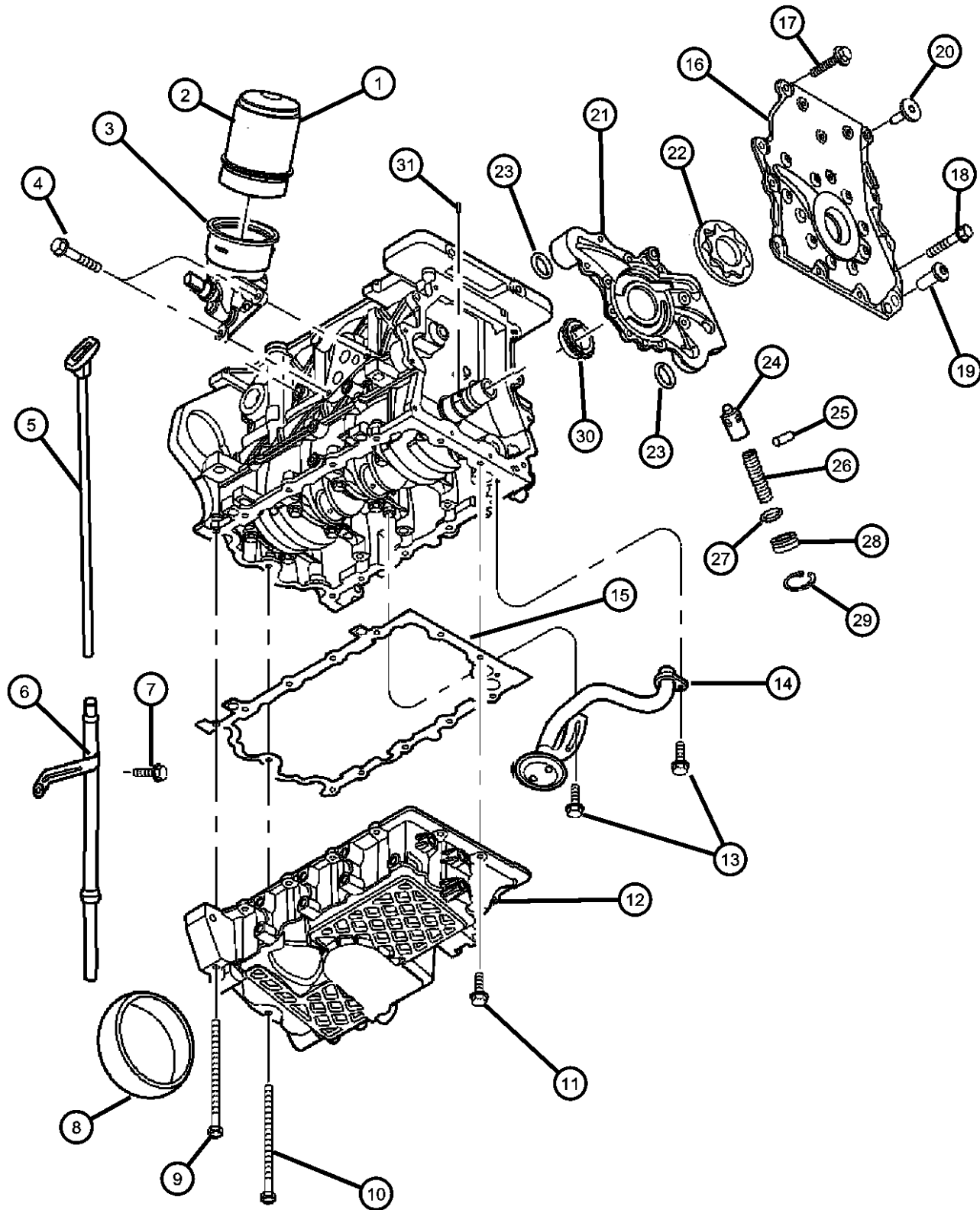
BODY
27 = 2-DR CONVERTIBLE
44 = HATCHBACK/QUAD
CAB CHASSIS LWB

ENGINE TRANSMISSION
EDJ = 2.2L 4 Cyl Turbo Diesel Engine
EDT = 2.4L 4 Cyl DOHC 16V Turbo Engine
EDV = 2.4L 4 Cyl DOHC 16V HO Turbo Engine
EDZ = 2.4L 4 Cyl DOHC 16V SMPI Engine
EJD = 1.6L 4 Cyl SOHC 16V SMPI
DGL = 4-Speed Automatic Transmission
DD5 = 5-Speed Manual Transmission
DDD = 5-Speed HD Manual Transmission

AR = use ase required - = Non illustrated part

2006 PT

Engine, Oiling [EJD]
Figure 1.6L-710



ITEM	PART NUMBER	QTY	LINE	SERIES	BODY	ENGINE	TRANS	TRIM	DESCRIPTION
	06505955AA	1				EJD			[M8x10], Oil Pump Body
	06505956AA	1				EJD			[M9x9.5], Oil Pump Body
26	04693108AA	1				EJD			SPRING, Oil Pressure Relief Valve
27	04693107AA	1				EJD			SEAL, Oil Pressure Relief Valve
28	04693106AB	1				EJD			CAP, Oil Pressure Relief Valve
29	04693188AA	1				EJD			SNAP RING Oil Pressure Relief Valve
30	04777694AB	1				EJD			SPROCKET, Crankshaft
31	06506196AA	1				EJD			PIN Crankshaft Sprocket

PT CRUISER (PT)

SERIES LINE
H = HIGHLINE C = CHRYSLER
P = PREMIUM Z = CHRYSLER (RHD)
S = SPORT
X = SPECIAL

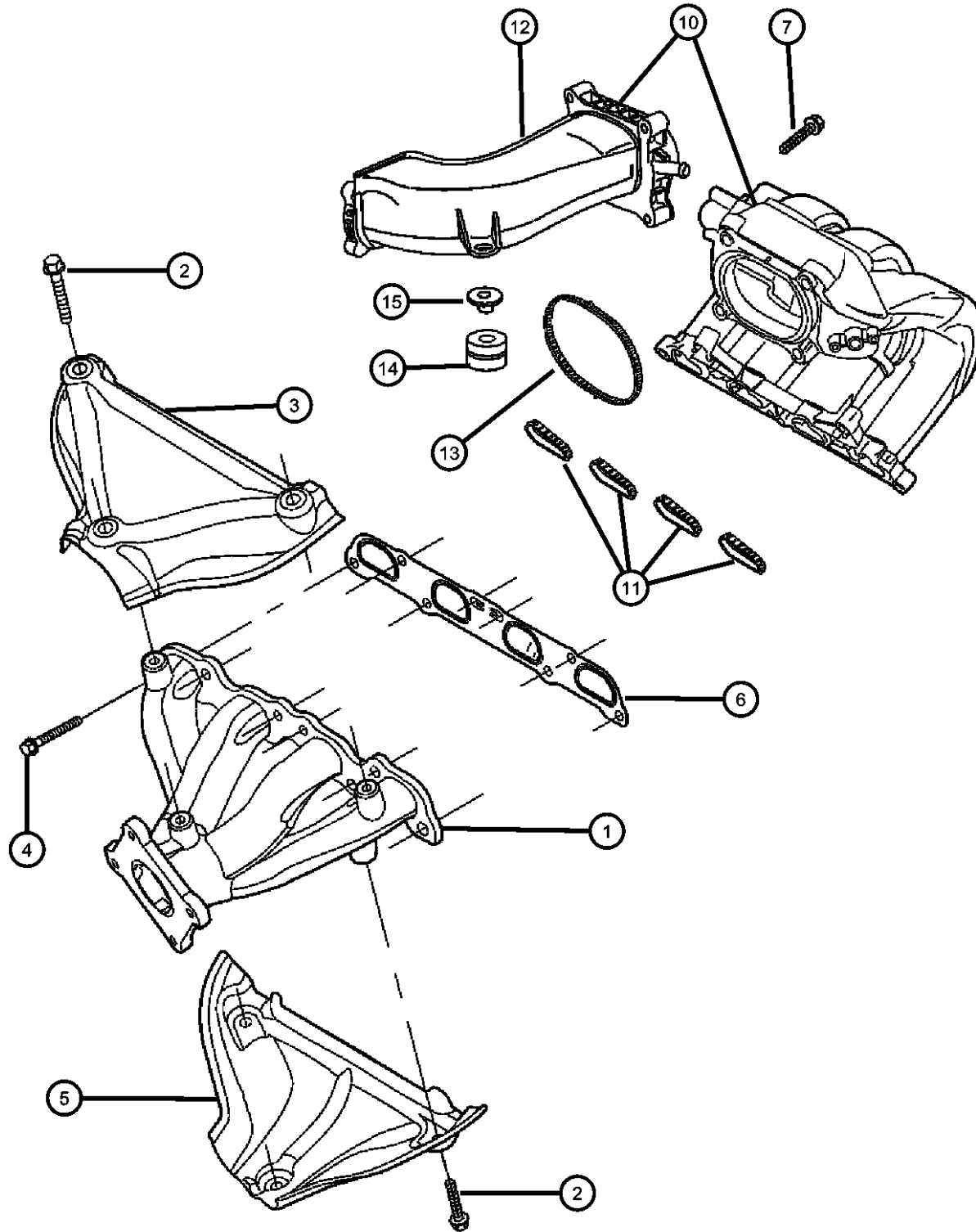
BODY
27 = 2-DR CONVERTIBLE
44 = HATCHBACK/QUAD
CAB CHASSIS LWB

ENGINE TRANSMISSION
EDJ = 2.2L 4 Cyl Turbo Diesel Engine
EDT = 2.4L 4 Cyl DOHC 16V Turbo Engine
EDV = 2.4L 4 Cyl DOHC 16V HO Turbo Engine
EDZ = 2.4L 4 Cyl DOHC 16V SMPI Engine
EJD = 1.6L 4 Cyl SOHC 16V SMPI
DGL = 4-Speed Automatic Transmission
DD5 = 5-Speed Manual Transmission
DDD = 5-Speed HD Manual Transmission

AR = use ase required - = Non illustrated part

2006 PT

Manifolds {EJD}
Figure 1.6L-810



ITEM	PART NUMBER	QTY	LINE	SERIES	BODY	ENGINE	TRANS	TRIM	DESCRIPTION
------	-------------	-----	------	--------	------	--------	-------	------	-------------

NOTE: Sales Codes
[EJD] = 1.6L 4 Cylinder SOHC 16V SMPI

1	04693133AD	1				EJD			MANIFOLD, Exhaust
2	06506461AA	5				EJD			SCREW
3	04693051AB	1				EJD			SHIELD, Exhaust ManifoldUpper
4	06503131	8				EJD			BOLT, Hex Flange Head, M8x1.25x30
5	04693052AA	1				EJD			SHIELD, Exhaust ManifoldLower
6	04777852AB	1				EJD			GASKET, Exhaust Manifold
7	06506462AA	5				EJD			BOLT
-8	04693232AB	1				EJD			BRACKET, Intake Manifold
-9	06100584	2				EJD			SCREW AND WASHER, Hex Head, M8x1.25x30
10	04693162AD	1				EJD			MANIFOLD, Intake
11	04777847AB	4				EJD			GASKET, Intake Manifold
12	04693190AD	1				EJD			TUBE, Intake Manifold Tuning
13	04693189AA	1				EJD			GASKET, Intake Manifold
14	04693189AA	1							LIMITER, Compression, Serviced in Assembly, (NOT SERVICED)
15	04693189AA	1							ISOLATOR, Serviced in Assembly, (NOT SERVICED)
-16	06100289	4				EJD			SCREW, Hex Head, [M6x1.0x35.0]

PT CRUISER (PT)

SERIES LINE
H = HIGHLINE C = CHRYSLER
P = PREMIUM Z = CHRYSLER (RHD)
S = SPORT
X = SPECIAL

BODY
27 = 2-DR CONVERTIBLE
44 = HATCHBACK/QUAD
CAB CHASSIS LWB

ENGINE
EDJ = 2.2L 4 Cyl Turbo Diesel Engine
EDT = 2.4L 4 Cyl DOHC 16V Turbo Engine
EDV = 2.4L 4 Cyl DOHC 16V HO Turbo Engine
EDZ = 2.4L 4 Cyl DOHC 16V SMPI Engine
EJD = 1.6L 4 Cyl SOHC 16V SMPI

TRANSMISSION
DGL = 4-Speed Automatic Transmission
DD5 = 5-Speed Manual Transmission
DDD = 5-Speed HD Manual Transmission

AR = use ase required - = Non illustrated part

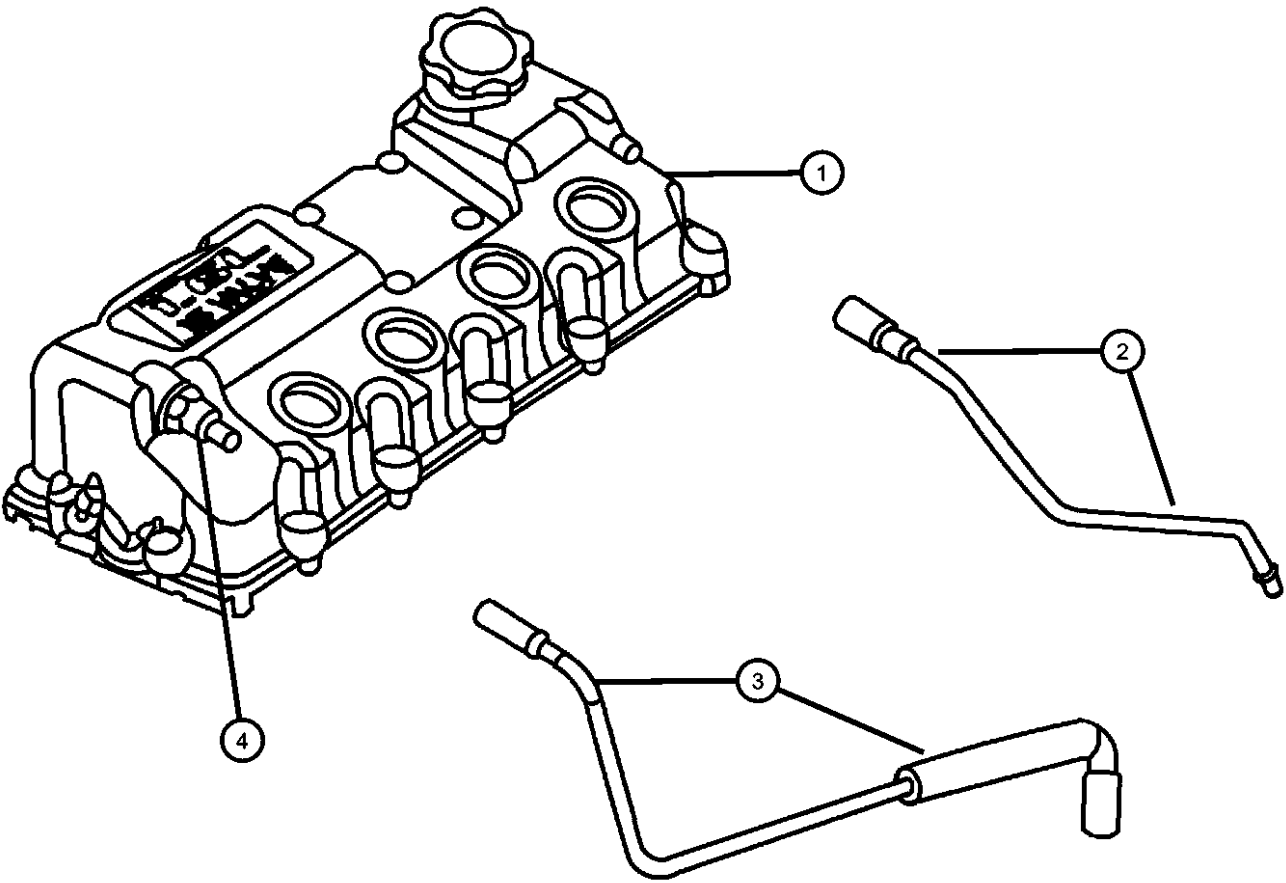
2006 PT

**Crankcase Ventilation System
Figure 1.6L-910**

ITEM	PART NUMBER	QTY	LINE	SERIES	BODY	ENGINE	TRANS	TRIM	DESCRIPTION
------	-------------	-----	------	--------	------	--------	-------	------	-------------

NOTE: Sales Codes
[EJD] = 1.6L 4 Cylinder SOHC 16V SMPI

1	04777796AG	1				EJD			COVER, Cylinder Head
2	04693235AD	1				EJD			HOSE, Make Up Air
3	04693206AB	1				EJD			HOSE, Crankcase Vent
4	04693369AA	1				EJD			VALVE, PCV



PT CRUISER (PT)

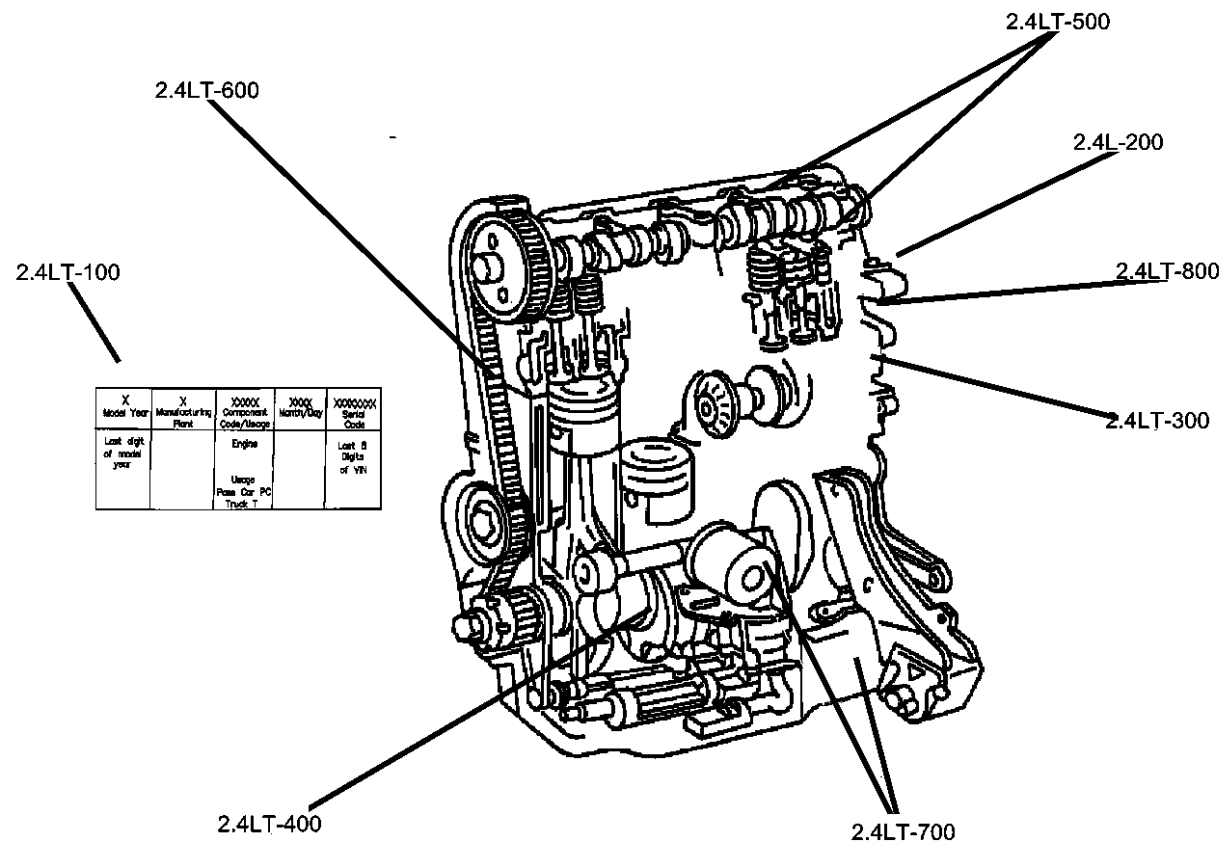
SERIES	LINE	BODY	ENGINE	TRANSMISSION
H = HIGHLINE	C = CHRYSLER	27 = 2-DR CONVERTIBLE	EDJ = 2.2L 4 Cyl Turbo Diesel Engine	DGL = 4-Speed Automatic Transmission
P = PREMIUM	Z = CHRYSLER (RHD)	44 = HATCHBACK/QUAD CAB CHASSIS LWB	EDT = 2.4L 4 Cyl DOHC 16V Turbo Engine	DD5 = 5-Speed Manual Transmission
S = SPORT			EDV = 2.4L 4 Cyl DOHC 16V HO Turbo Engine	DDD = 5-Speed HD Manual Transmission
X = SPECIAL			EDZ = 2.4L 4 Cyl DOHC 16V SMPI Engine	
			EJD = 1.6L 4 Cyl SOHC 16V SMPI	

AR = use ase required - = Non illustrated part

2006 PT

Group - 2.4LT

Engine 2.4L Four Cylinder (Turbo)

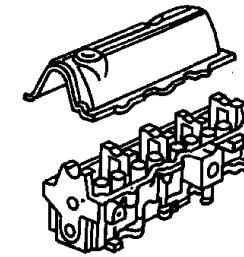


X Model Year	Y Manufacturing Plant	XXXXX Component Code/Usage	XXXX Month/Day	XXXXXXXXXX Serial Code
Last digit of model year		Engine Useage Pass Car PC Truck T		Last 8 Digits of VIN

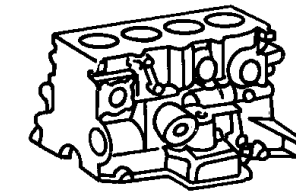
2.4LT-100 Engine Identification

X Model Year	Y Manufacturing Plant	XXXXX Component Code/Usage	XXXX Month/Day	XXXXXXXXXX Serial Code
Last digit of model year	Satiko S Traction T Tolosa K	Engine 3.3L - 3.8L Useage Pass Car PC Truck T		Last 8 Digits of VIN

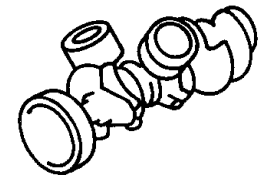
2.4LT-200 Cylinder Head



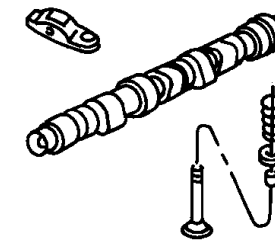
2.4LT-300 Cylinder Block



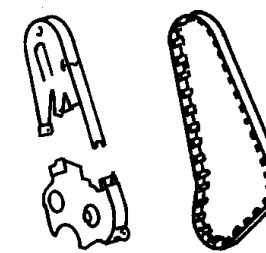
2.4LT-400 Crankshaft, Piston, and Drive Plate



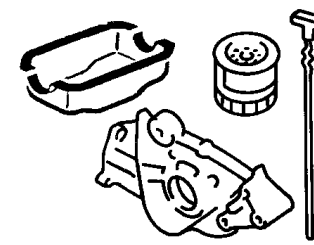
2.4LT-500 Camshafts and Valves



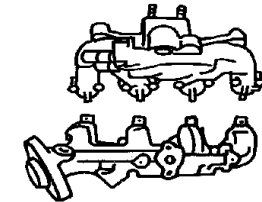
2.4LT-600 Timing Belt and Cover



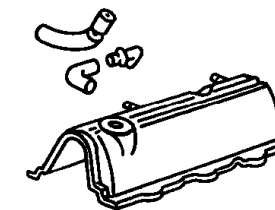
2.4LT-700 Engine Oiling



2.4LT-800 Manifolds



2.4LT-900 Crankcase Ventilation



Group - 2.4LT Engine 2.4L Four Cylinder (Turbo)

Illustration Title	Group-Fig. No.
Engine Identification	
I.D. Location [EDT][EDV]	Fig. 2.4LT - 110
Cylinder Head	
Cylinder Head [EDT][EDV]	Fig. 2.4LT - 210
Cylinder Block	
Cylinder Block [EDT][EDV]	Fig. 2.4LT - 310
Block Heater [EDT][EDV]	Fig. 2.4LT - 320
Crankshaft, Piston, and Drive Plate	
Crankshaft, Pistons and Torque Converter [EDT][EDV]	Fig. 2.4LT - 410
Camshafts and Valves	
Camshaft and Valves [EDT][EDV]	Fig. 2.4LT - 510
Timing Belt and Cover	
Timing Belt and Cover [EDT][EDV]	Fig. 2.4LT - 610
Balance Shafts [EDT][EDV]	Fig. 2.4LT - 620
Engine Oiling	
Engine Oiling [EDT][EDV]	Fig. 2.4LT - 710
Manifolds	
Intake Manifold	Fig. 2.4LT - 810
Exhaust Manifold With Turbocharger	Fig. 2.4LT - 820
Crankcase Ventilation	
Crankcase Ventilation [EDT][EDV]	Fig. 2.4LT - 910

I.D. Location [EDT][EDV]
Figure 2.4LT-110

ITEM	PART NUMBER	QTY	LINE	SERIES	BODY	ENGINE	TRANS	TRIM	DESCRIPTION
------	-------------	-----	------	--------	------	--------	-------	------	-------------

NOTE:

Engine ID is located on the left bank of the rear of the block just below the head.

Sales Codes:

[DDD]=5-Speed H.D. Manual Transmission

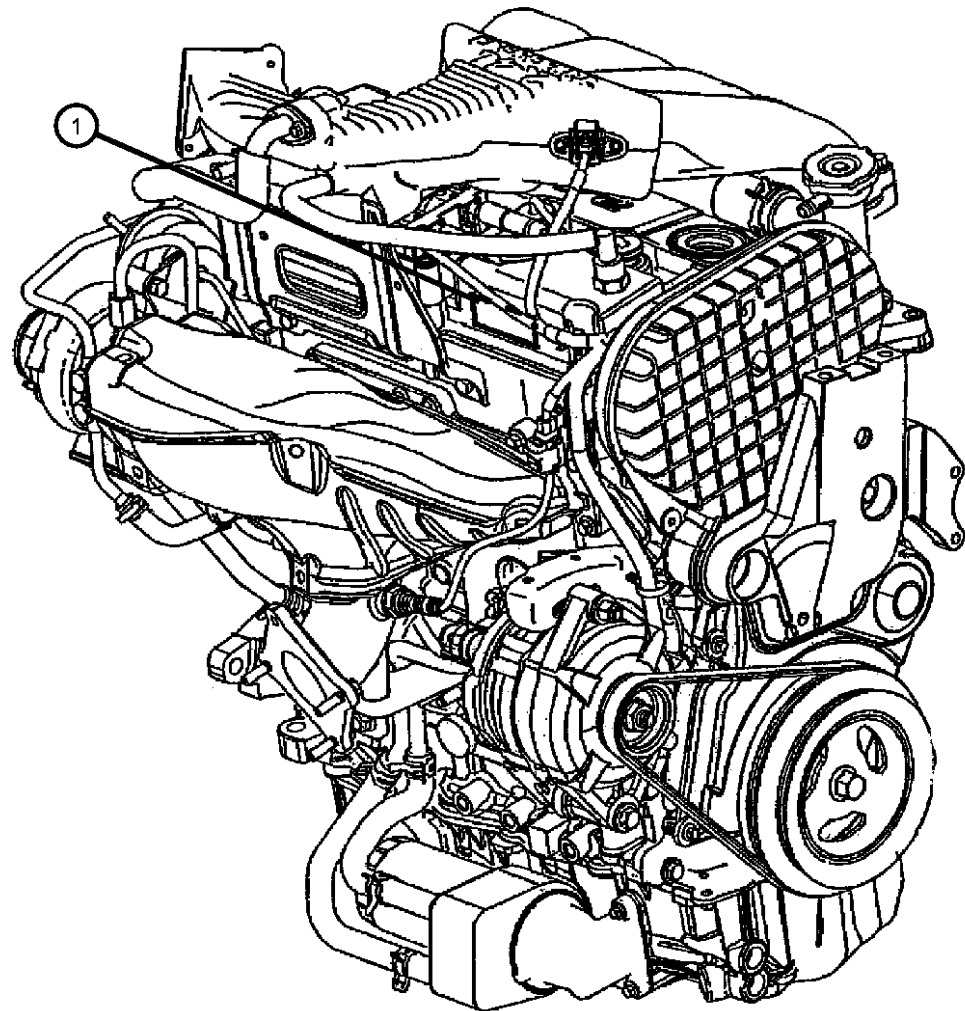
[DGL]=4-Speed Automatic Transmission

[EDT]=2.4L 4 Cylinder DOHC 16Valve Turbo

[EDV]=2.4L 4 Cylinder DOHC 16Valve Highoutput Turbo

1 04693369AA 1

LABEL, Engine Identification, (NOT SERVICED)



PT CRUISER (PT)

SERIES	LINE
H = HIGHLINE	C = CHRYSLER
P = PREMIUM	Z = CHRYSLER (RHD)
S = SPORT	
X = SPECIAL	

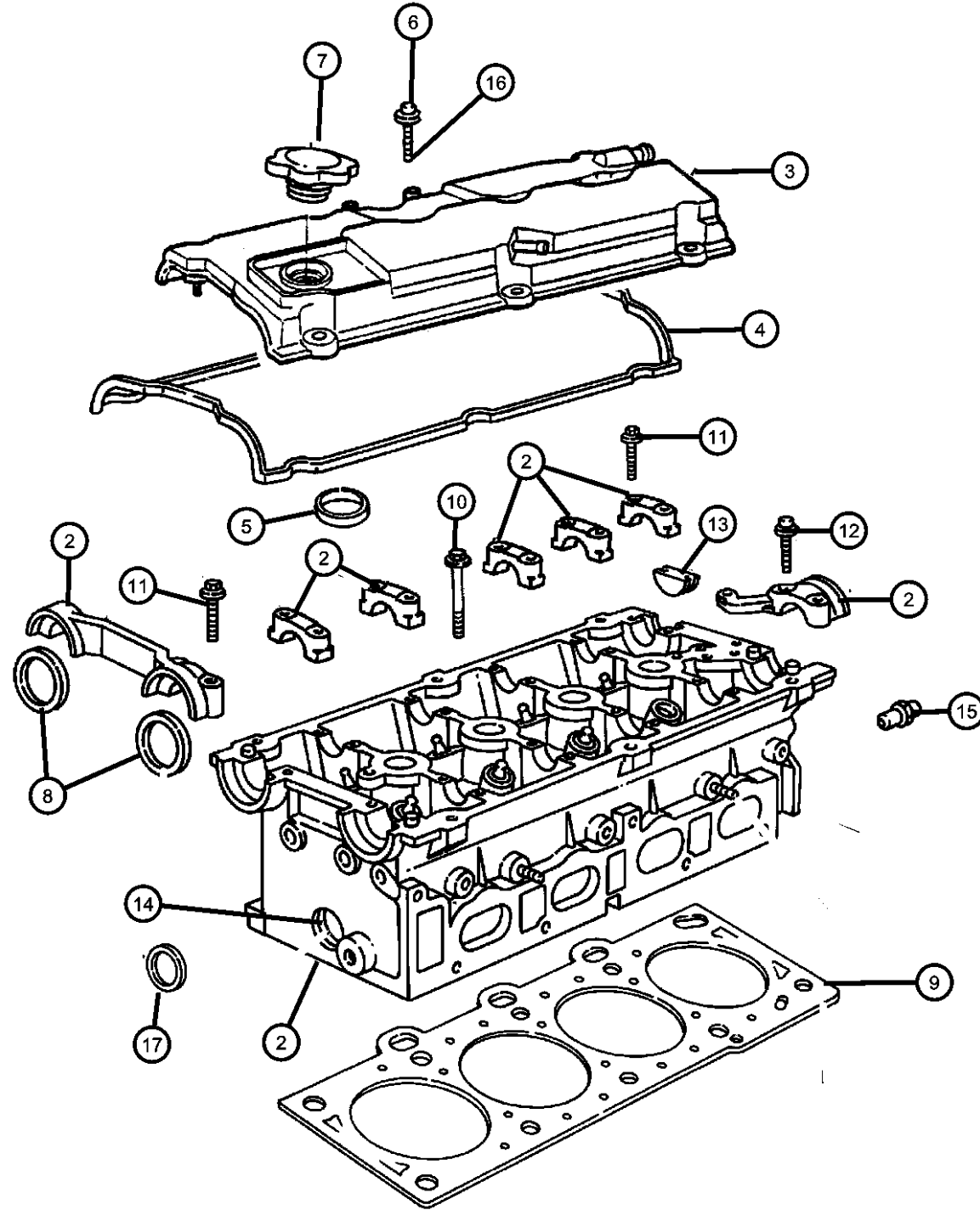
BODY
27 = 2-DR CONVERTIBLE
44 = HATCHBACK/QUAD CAB CHASSIS LWB

ENGINE	TRANSMISSION
EDJ = 2.2L 4 Cyl Turbo Diesel Engine	DGL = 4-Speed Automatic Transmission
EDT = 2.4L 4 Cyl DOHC 16V Turbo Engine	DD5 = 5-Speed Manual Transmission
EDV = 2.4L 4 Cyl DOHC 16V HO Turbo Engine	DDD = 5-Speed HD Manual Transmission
EDZ = 2.4L 4 Cyl DOHC 16V SMPI Engine	
EJD = 1.6L 4 Cyl SOHC 16V SMPI	

AR = use ase required - = Non illustrated part

2006 PT

**Cylinder Head [EDT][EDV]
Figure 2.4LT-210**



ITEM	PART NUMBER	QTY	LINE	SERIES	BODY	ENGINE	TRANS	TRIM	DESCRIPTION
NOTE: Upper Gasket Package Contains; Valve Cover and Cylinder Head Gaskets: Intake and Exhaust Manifold Gaskets: Spark Plug Tube O-Rings: Seal Sales Codes: [DDD]=5-Speed H.D. Manual Transmission [DGL]=4-Speed Automatic Transmission [EDT] = 2.4L Inline 4 Cylinder DOHC 16V Turbo [EDV] = 2.4L Inline 4 Cylinder DOHC 16V High Output Turbo									
-1	05093451AB	1				EDT, EDV			GASKET PACKAGE, Engine Upper, See Notes
2	05170051AA	1				EDT, EDV, EDZ			HEAD, Cylinder
3	04852729AK	1				EDT, EDV			COVER, Cylinder Head
4	04781639AB	1				EDT, EDV			GASKET, Valve Cover
5	04621851	4				EDT, EDV			SEAL, Spark Plug Tube
6	06508498AA	5				EDT, EDV			ISOLATOR, Cylinder Head Cover, Grommet And Bolt
7	53010656AA	1				EDT, EDV			CAP, Oil Filler, Includes O-Ring
8	68029299AA	1	C, Z			EDT, EDV			O RING Oil Filler Cap 27
		1	C, Z			EDT, EDV			Oil Filler Cap
9	04777086	2				EDT, EDV			SEAL, Camshaft
10	04884443AD	1				EDT, EDV			GASKET, Cylinder Head
11	06504033	10				EDV			BOLT, Cylinder Head
12	06100918	18				EDT, EDV, EDZ			BOLT, Hex Flange Head, M6x1.00x35
13	06101527	6				EDZ, EDT, EDV			SCREW, Hex Flange Head, M8x1.25x40
14	04884880AA	1				EDT, EDV, EDZ			PLUG, Camshaft
15	04556020	2				EDT, EDV, EDZ			PLUG, Core, 1.25 Diameter
16	04556020	2				EDT, EDV, EDZ			RESTRICTOR, Cylinder Head Oil, Part of Head Gasket, (NOT SERVICED)
17	06508500AA	4				EDT, EDV			STUD, Double Ended, Cylinder Head Cover To Cylinder Head
18	00444668	1				EDT, EDV, EDZ			PLUG, Core

PT CRUISER (PT)

SERIES	LINE	BODY	ENGINE	TRANSMISSION
H = HIGHLINE	C = CHRYSLER	27 = 2-DR CONVERTIBLE	EDJ = 2.2L 4 Cyl Turbo Diesel Engine	DGL = 4-Speed Automatic Transmission
P = PREMIUM	Z = CHRYSLER (RHD)	44 = HATCHBACK/QUAD CAB CHASSIS LWB	EDT = 2.4L 4 Cyl DOHC 16V Turbo Engine	DD5 = 5-Speed Manual Transmission
S = SPORT			EDV = 2.4L 4 Cyl DOHC 16V HO Turbo Engine	DDD = 5-Speed HD Manual Transmission
X = SPECIAL			EDZ = 2.4L 4 Cyl DOHC 16V SMPI Engine	
			EJD = 1.6L 4 Cyl SOHC 16V SMPI	

AR = use ase required - = Non illustrated part

**Cylinder Block [EDT][EDV]
Figure 2.4LT-310**

ITEM	PART NUMBER	QTY	LINE	SERIES	BODY	ENGINE	TRANS	TRIM	DESCRIPTION
------	-------------	-----	------	--------	------	--------	-------	------	-------------

NOTES:

Lower Gasket Package Includes; Oil Pan and Oil Filter Adapter Gaskets: Seals for the Water Pump, Crankshaft and Oil Pick Up Tube: Water Inlet and

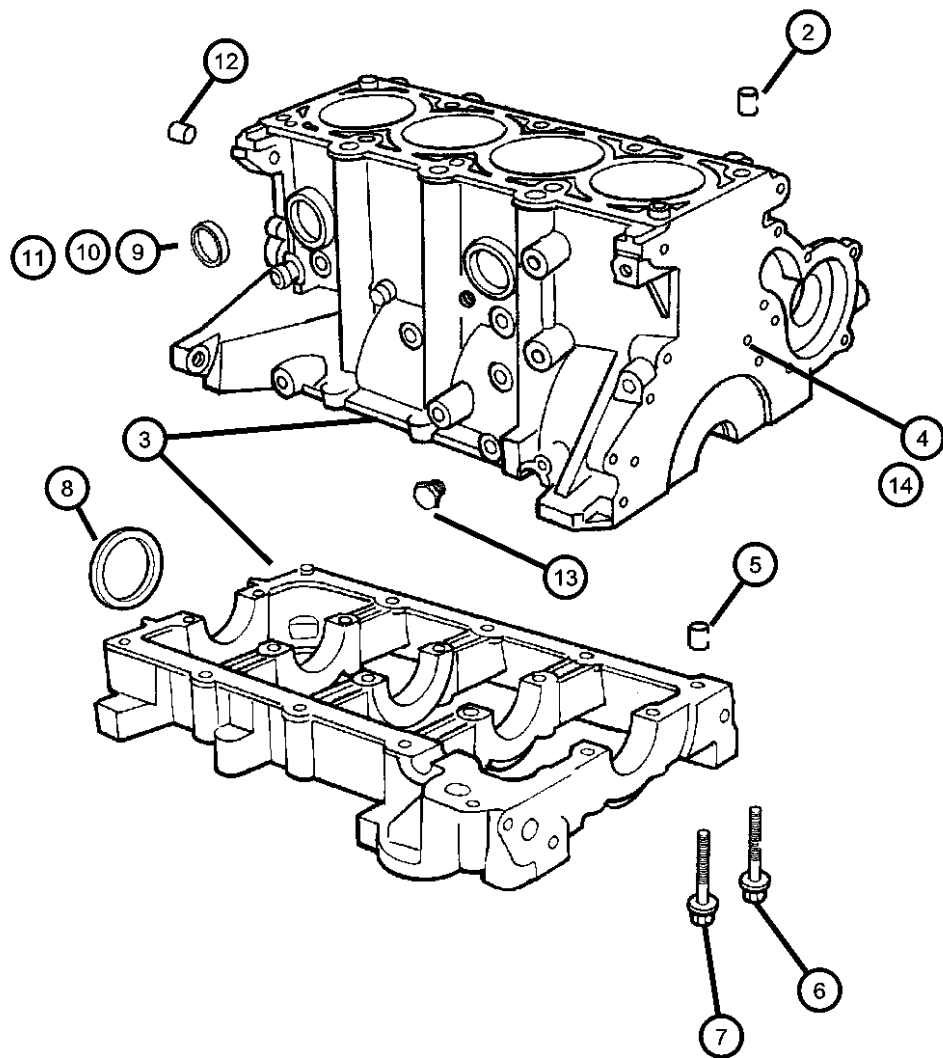
Sales Codes:

[DDD]=5-Speed H.D. Manual Transmission

[DGL]=4-Speed Automatic Transmission

[EDT] = 2.4L Inline 4 Cylinder DOHC 16V Turbo

[EDV] = 2.4L Inline 4 Cylinder DOHC 16V High Output Turbo



-1	05093452AA	1				EDT, EDV			GASKET PACKAGE, Engine Lower, See Notes
2	04448856	2				EDT, EDV, EDZ			DOWEL, Block To Cylinder Head
3	05114430AB	1				EDT, EDV			BLOCK, Short
4	04556018AB	1				EDT, EDV, EDZ			PLUG, Cylinder Block Oil Hole, Cylinder Block Main Oil Galley 5/8"
5	04694106	2				EDT, EDV			DOWEL, Engine Block To Bedplate
6	06503387	10				EDT, EDV			BOLT, Main Bearing Cap
7	06504257	10				EDT, EDV			BOLT, Hex Head, M8x1.25x70
8	04621939AB	1				EDT, EDV, EDZ			SEAL, Rear Main Crankshaft
9	04621939AB	1							PLUG, Pipe, .250-18x.560, (NOT SERVICED)
10	04556020	2				EDT, EDV, EDZ			PLUG, Core, 1.25 Diameter
11	06034804	4				EDT, EDV, EDZ			PLUG, Core, 1.39 Diameter
12	05240849	2				EDT, EDV, EDZ			DOWEL
13	06036543AA	6				EDT, EDV, EDZ			PLUG, Pipe
14	06034331	1				EDT, EDV, EDZ			PLUG, Hex Socket, 3/8-18NPTx.475, Cylinder Block Main Oil Galley
-15	06507562AA	1				EDT, EDV			STUD, Double Ended

PT CRUISER (PT)

SERIES	LINE
H = HIGHLINE	C = CHRYSLER
P = PREMIUM	Z = CHRYSLER (RHD)
S = SPORT	
X = SPECIAL	

BODY
27 = 2-DR CONVERTIBLE
44 = HATCHBACK/QUAD CAB CHASSIS LWB

ENGINE	TRANSMISSION
EDJ = 2.2L 4 Cyl Turbo Diesel Engine	DGL = 4-Speed Automatic Transmission
EDT = 2.4L 4 Cyl DOHC 16V Turbo Engine	DD5 = 5-Speed Manual Transmission
EDV = 2.4L 4 Cyl DOHC 16V HO Turbo Engine	DDD = 5-Speed HD Manual Transmission
EDZ = 2.4L 4 Cyl DOHC 16V SMPI Engine	
EJD = 1.6L 4 Cyl SOHC 16V SMPI	

AR = use ase required - = Non illustrated part

2006 PT

**Block Heater [EDT][EDV]
Figure 2.4LT-320**

ITEM	PART NUMBER	QTY	LINE	SERIES	BODY	ENGINE	TRANS	TRIM	DESCRIPTION
------	-------------	-----	------	--------	------	--------	-------	------	-------------

NOTES:

Sales Codes:

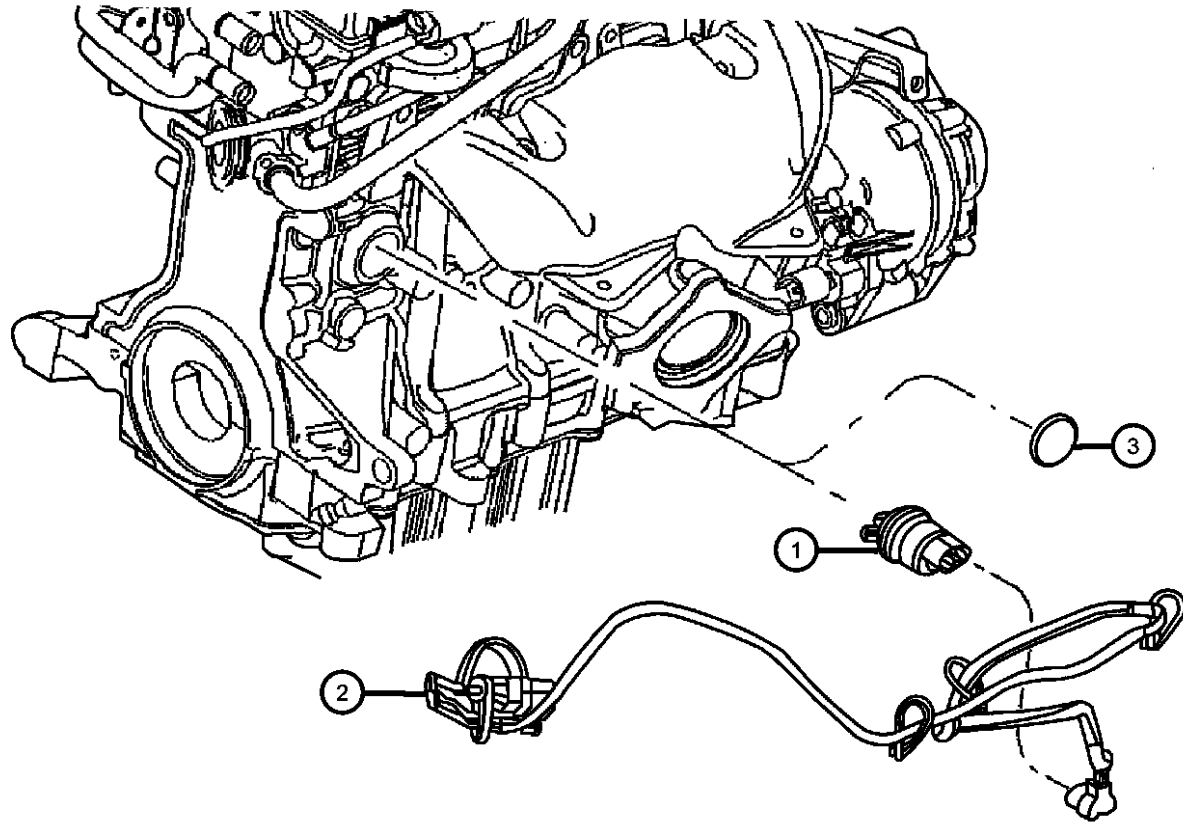
[DDD]=5-Speed H.D. Manual Transmission

[DGL]=4-Speed Automatic Transmission

[EDT] = 2.4L Inline 4 Cylinder DOHC 16V Turbo

[EDV] = 2.4L Inline 4 Cylinder DOHC 16V High Output Turbo

1	05033157AB	1				EDT, EDV, EDZ			HEATER, Engine Block
2	05033232AB	1				EDT, EDV			CORD, Engine Block Heater
3	05033232AB	1							PLUG, Purchased with Engine Assy., (NOT SERVICED)



PT CRUISER (PT)

SERIES	LINE
H = HIGHLINE	C = CHRYSLER
P = PREMIUM	Z = CHRYSLER (RHD)
S = SPORT	
X = SPECIAL	

BODY
27 = 2-DR CONVERTIBLE
44 = HATCHBACK/QUAD CAB CHASSIS LWB

ENGINE	TRANSMISSION
EDJ = 2.2L 4 Cyl Turbo Diesel Engine	DGL = 4-Speed Automatic Transmission
EDT = 2.4L 4 Cyl DOHC 16V Turbo Engine	DD5 = 5-Speed Manual Transmission
EDV = 2.4L 4 Cyl DOHC 16V HO Turbo Engine	DDD = 5-Speed HD Manual Transmission
EDZ = 2.4L 4 Cyl DOHC 16V SMPI Engine	
EJD = 1.6L 4 Cyl SOHC 16V SMPI	

AR = use ase required - = Non illustrated part

2006 PT

**Crankshaft, Pistons and Torque Converter [EDT][EDV]
Figure 2.4LT-410**

ITEM	PART NUMBER	QTY	LINE	SERIES	BODY	ENGINE	TRANS	TRIM	DESCRIPTION
NOTE: Sales Codes: [DDD]=5-Speed H.D. Manual Transmission [DGL]=4-Speed Automatic Transmission [EDT] = 2.4L Inline 4 Cylinder DOHC 16V Turbo [EDV] = 2.4L Inline 4 Cylinder DOHC 16V High Output Turbo									
1	05093888AB	1				EDT, EDV	DGL		CONVERTER PACKAGE, Torque
2	06503465	8				EDT, EDV, EDZ, EJD			BOLT, Drive Plate and Flywheel
3	04736294AB	1				EDT, EDV			PLATE, Drive Plate
4									BOLT, Hex Head, M10x1.50 x 13.20
	06504383	4					DGL		
		4				EDV	DDD		
5	04471933	1				EDT, EDV, EDZ			PLATE, Drive Plate Backing
6	04884247AD	4				EDT, EDV			PISTON PIN AND ROD
7	04663664	8				EDT, EDV			RING, Piston Pin
8	06507235AA	8				EDT, EDV			BOLT, Connecting Rod
9	05093441AA	4				EDT, EDV			PISTON RING SET, COMPLETE ENGINE, STD.
10	06035473	1				EDT, EDV, EDZ			KEY, Crankshaft Sprocket
11	04781643AA	1				EDT, EDV, EDZ			CRANKSHAFT
12	05114417AA	1				EDT, EDV, EDZ			RING PACKAGE, Crankshaft Target
13	06506656AA	4				EDT, EDV, EDZ			SCREW
14	05174617AA	4				EDT, EDV, EDZ			BEARING KIT, Crankshaft, Standard, 1-2-4-5
15	05174619AA	1				EDT, EDV, EDZ			BEARING KIT, Crankshaft Thrust, Std
16	05174612AA	4				EDT, EDV			BEARING KIT, Connecting Rod, Standard
17	04621939AB	1				EDT, EDV, EDZ			SEAL, Rear Main Crankshaft
18	05222629	1				EDT, EDV	DGL		SEAL, Torque Converter Hub

PT CRUISER (PT)

SERIES LINE
H = HIGHLINE C = CHRYSLER
P = PREMIUM Z = CHRYSLER (RHD)
S = SPORT
X = SPECIAL

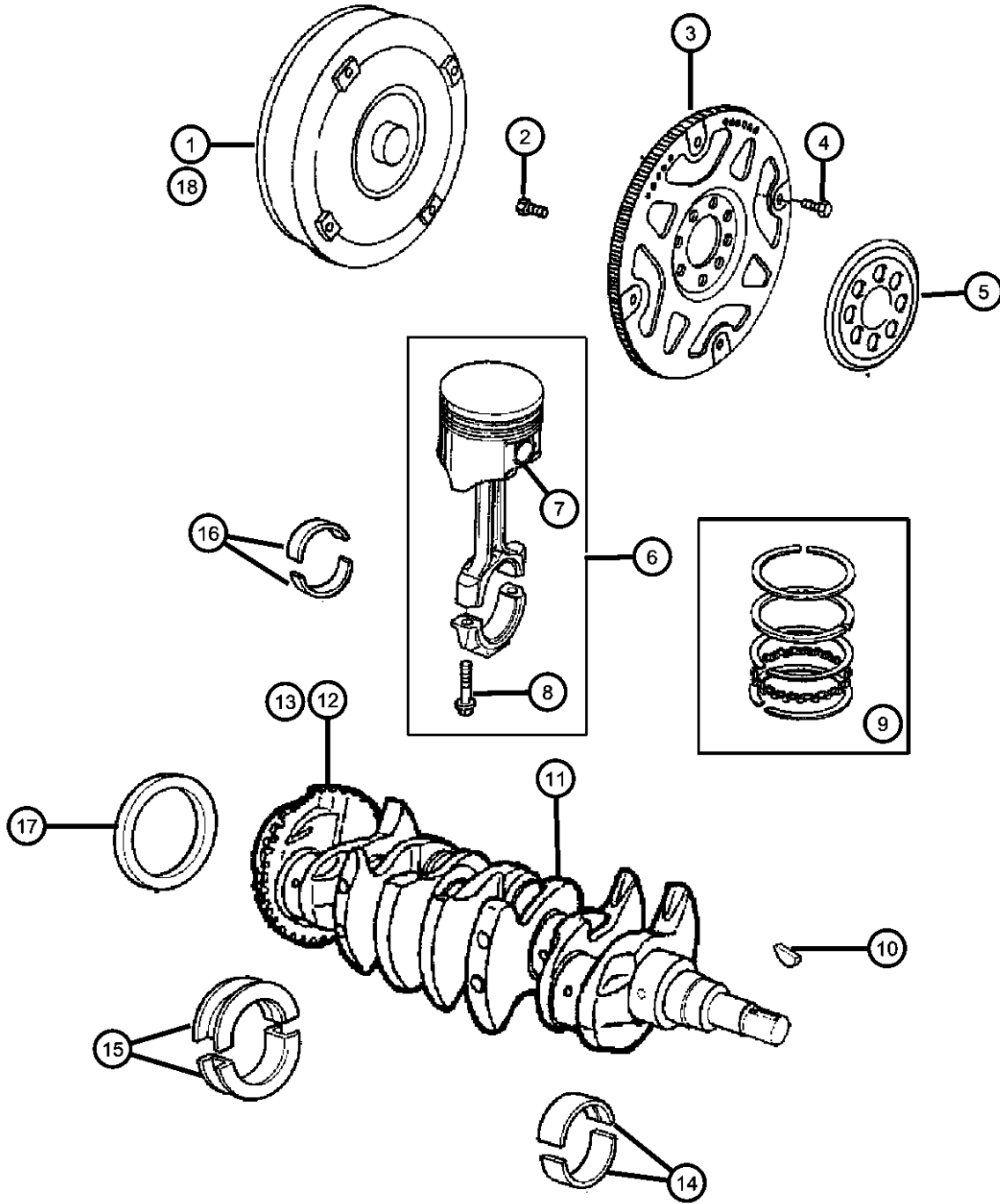
BODY
27 = 2-DR CONVERTIBLE
44 = HATCHBACK/QUAD
CAB CHASSIS LWB

ENGINE
EDJ = 2.2L 4 Cyl Turbo Diesel Engine
EDT = 2.4L 4 Cyl DOHC 16V Turbo Engine
EDV = 2.4L 4 Cyl DOHC 16V HO Turbo Engine
EDZ = 2.4L 4 Cyl DOHC 16V SMPI Engine
EJD = 1.6L 4 Cyl SOHC 16V SMPI

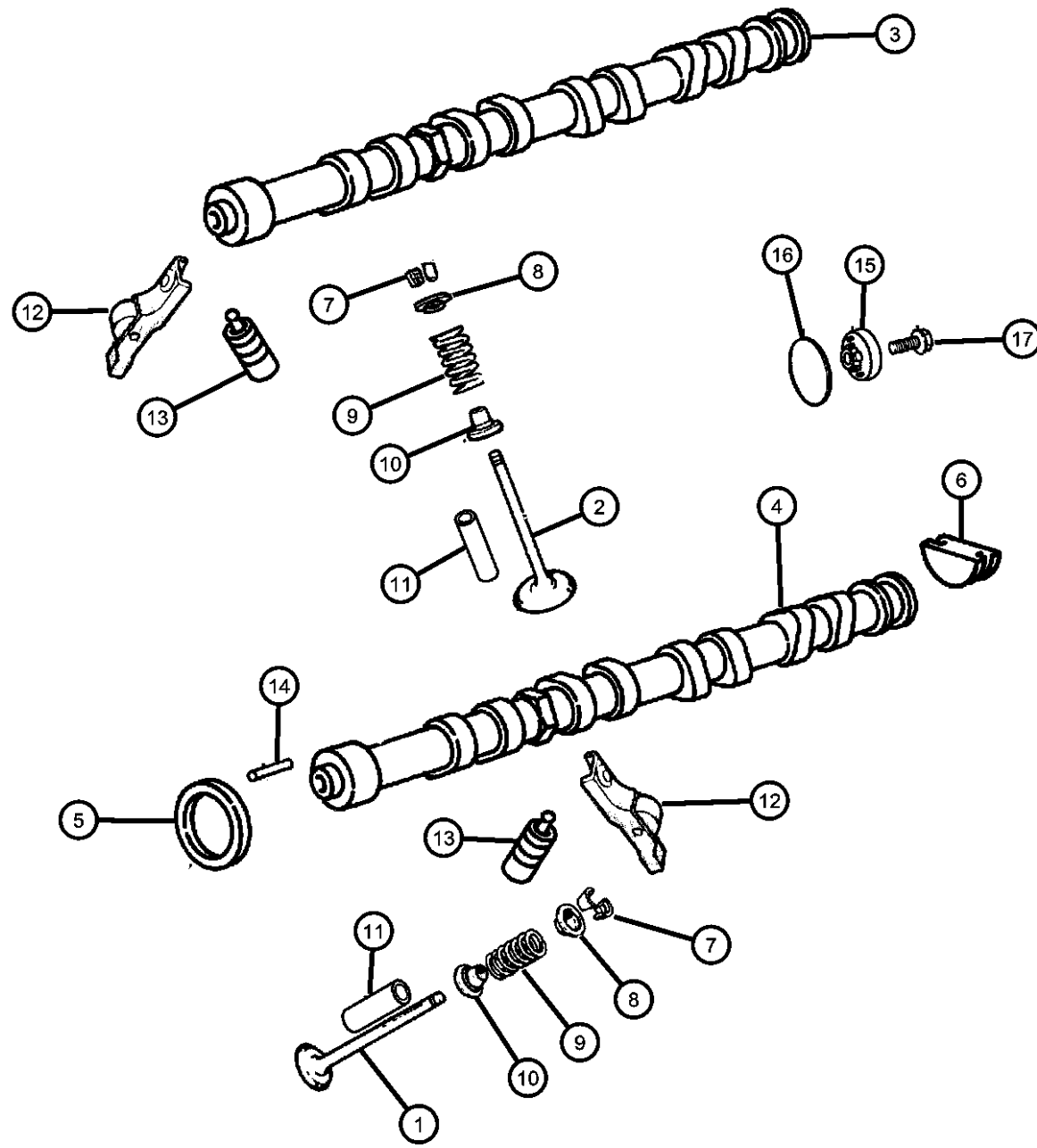
TRANSMISSION
DGL = 4-Speed Automatic Transmission
DD5 = 5-Speed Manual Transmission
DDD = 5-Speed HD Manual Transmission

AR = use ase required - = Non illustrated part

2006 PT



**Camshaft and Valves [EDT][EDV]
Figure 2.4LT-510**



ITEM	PART NUMBER	QTY	LINE	SERIES	BODY	ENGINE	TRANS	TRIM	DESCRIPTION
1	04852361AB	8				EDT, EDV			VALVE, Exhaust, Standard
2	04884691AA	8				EDT, EDV, EDZ			VALVE, Intake, Standard
3	04781681AB	1				EDT, EDV			CAMSHAFT, Intake
4	04781679AB	1				EDT, EDV			CAMSHAFT, Exhaust
5	04777086	2				EDT, EDV			SEAL, Camshaft
6	04884880AA	1				EDT, EDV, EDZ			PLUG, Camshaft
7	04777050AC	32				EDT, EDV, EDZ			LOCK, Valve Spring Retainer
8	04648682AB	16				EDT, EDV, EDZ			RETAINER, Valve Spring
9	04648907AA	16				EDT, EDV, EDZ			SPRING, Valve
10	04648619	16				EDT, EDV, EDZ			SEAL, Valve Guide
11	04667411	AR				EDT, EDV			GUIDE, Intake/Exhaust Valve, 7mm Oversize
12	04884042AA	16				EDT, EDV, EDZ			ROCKER ARM, Valve Roller
13	04777976AA	16				EDT, EDV, EDZ			ADJUSTER, Valve Lash
14	06100997	1				EDT, EDV			PIN, Dowel
15	05293199AA	1				EDT, EDV, EDZ			CAM MAGNET, Target
16	04884111AA	1				EDT, EDV, EDZ			SEAL, Camshaft Sensor
17	06503688	1				EDT, EDV, EDZ			BOLT, Hex Flange Head, M6x1.00x40

NOTE:
Sales Codes:
[DDD]=5-Speed H.D. Manual Transmission
[DGL]=4-Speed Automatic Transmission
[EDT] = 2.4L Inline 4 Cylinder DOHC 16V Turbo
[EDV] = 2.4L Inline 4 Cylinder DOHC 16V High Output Turbo

PT CRUISER (PT)				
SERIES	LINE	BODY	ENGINE	TRANSMISSION
H = HIGHLINE	C = CHRYSLER	27 = 2-DR CONVERTIBLE	EDJ = 2.2L 4 Cyl Turbo Diesel Engine	DGL = 4-Speed Automatic Transmission
P = PREMIUM	Z = CHRYSLER (RHD)	44 = HATCHBACK/QUAD CAB CHASSIS LWB	EDT = 2.4L 4 Cyl DOHC 16V Turbo Engine	DD5 = 5-Speed Manual Transmission
S = SPORT			EDV = 2.4L 4 Cyl DOHC 16V HO Turbo Engine	DDD = 5-Speed HD Manual Transmission
X = SPECIAL			EDZ = 2.4L 4 Cyl DOHC 16V SMPI Engine	
			EJD = 1.6L 4 Cyl SOHC 16V SMPI	

AR = use ase required - = Non illustrated part

**Timing Belt and Cover [EDT][EDV]
Figure 2.4LT-610**

ITEM	PART NUMBER	QTY	LINE	SERIES	BODY	ENGINE	TRANS	TRIM	DESCRIPTION
------	-------------	-----	------	--------	------	--------	-------	------	-------------

NOTE:

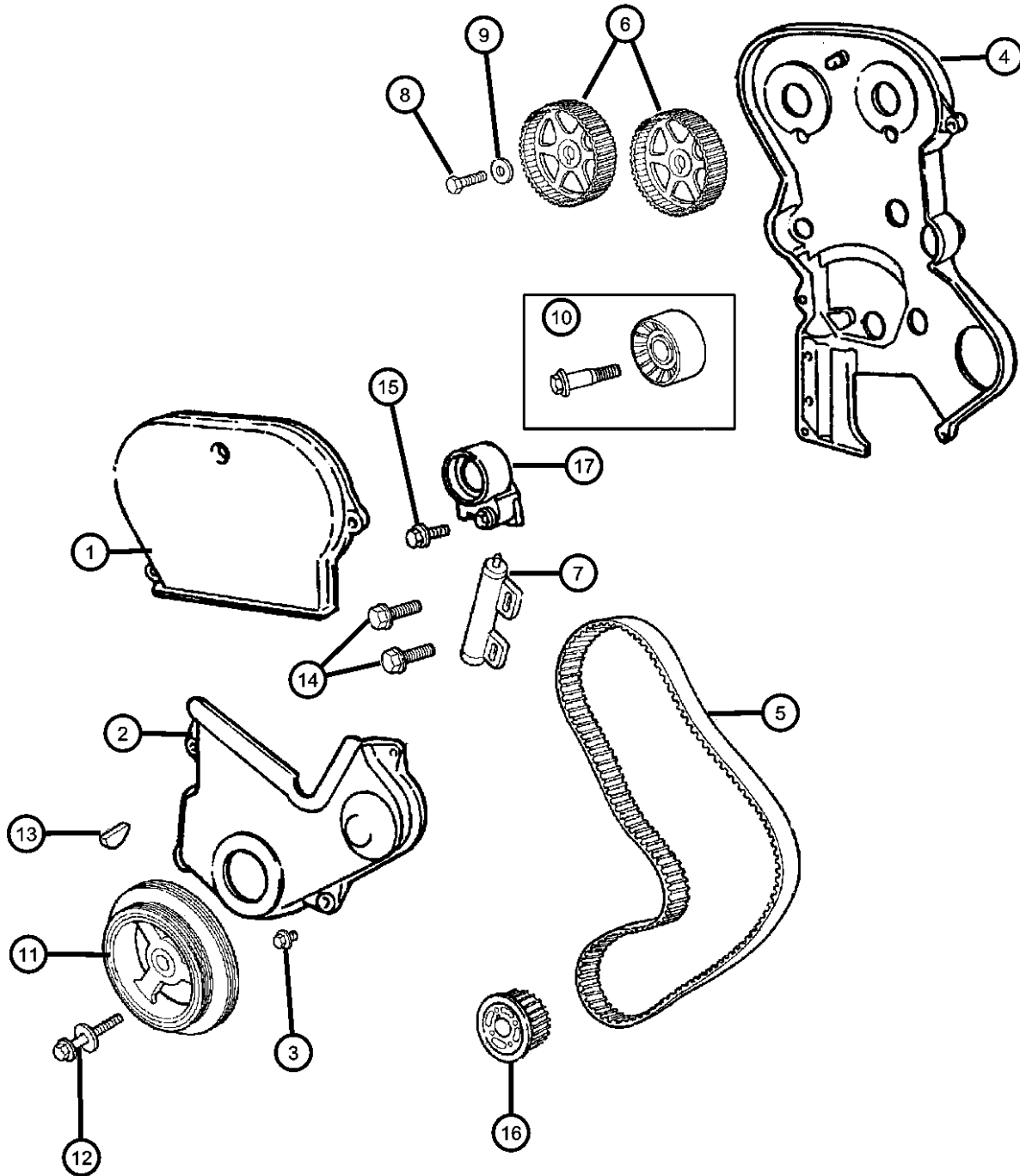
Sales Codes:

[DDD]=5-Speed H.D. Manual Transmission

[DGL]=4-Speed Automatic Transmission

[EDT] = 2.4L Inline 4 Cylinder DOHC 16V Turbo

[EDV] = 2.4L Inline 4 Cylinder DOHC 16V High Output Turbo



1	04884409AA	1				EDT, EDV, EDZ			COVER, Timing Belt
2	04884410AA	1				EDT, EDV, EDZ			COVER, Timing Belt
3	06101952	7				EDT, EDV, EDZ			SCREW, Hex Flange Head Tapping, M4.8 x 1.59 x 25.00
4	04781593AA	1				EDT, EDV, EDZ			COVER, Timing Belt
5	04621844	1				EDT, EDV, EDZ			BELT, Timing
	TB000265								Mopar V-Line Alternative Part
6	04667609	2				EDT, EDV, EDZ			GEAR, Camshaft
7	04884473AA	1				EDT, EDV			TENSIONER, Chain
8	06501405	2				EDT, EDV, EDZ			BOLT, Hex Head, M12x1.50x52
9	06503438	2				EDT, EDV, EDZ			WASHER, Flared, 13x35.00x4.70
10	04781569AB	1				EDT, EDV, EDZ			PULLEY, Idler
11	04777618AF	1				EDT, EDV, EDZ			DAMPER, Crankshaft
12	06503553	1				EDT, EDV, EDZ			BOLT, Hex Flange Head, M12x1.75x87.50
13	06035473	1				EDT, EDV, EDZ			KEY, Crankshaft Sprocket
14	06507550AA	1				EDT, EDV, EDZ			BOLT
15	06507550AA	1							BOLT AND WASHER, Hex Head, M10x1.50x62, (NOT SERVICED)
16	04648939AA	1				EDT, EDV, EDZ			GEAR, Crankshaft
17	04781570AB	1				EDT, EDV, EDZ			TENSIONER, Belt

PT CRUISER (PT)

SERIES LINE
H = HIGHLINE C = CHRYSLER
P = PREMIUM Z = CHRYSLER (RHD)
S = SPORT
X = SPECIAL

BODY
27 = 2-DR CONVERTIBLE
44 = HATCHBACK/QUAD
CAB CHASSIS LWB

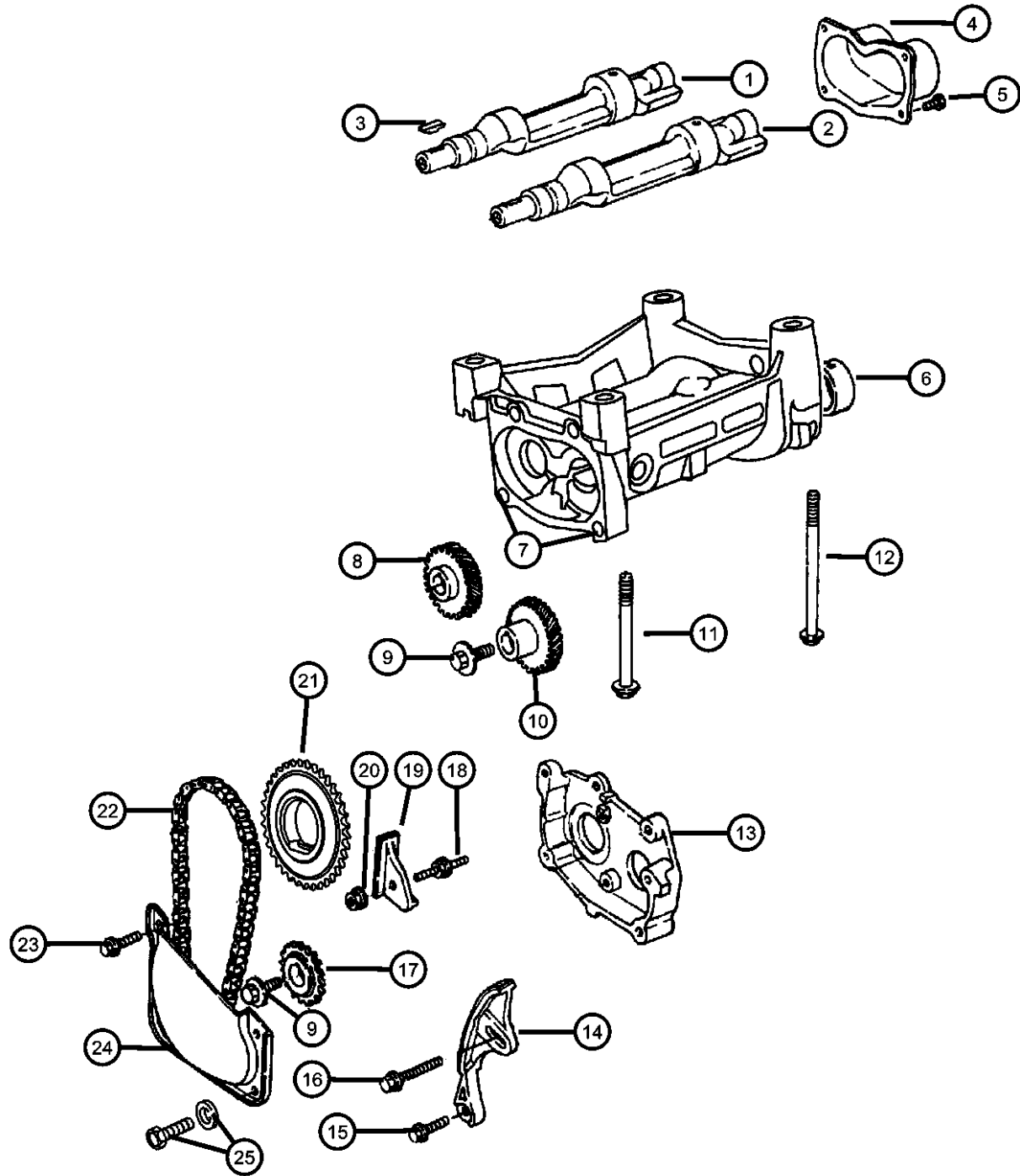
ENGINE
EDJ = 2.2L 4 Cyl Turbo Diesel Engine
EDT = 2.4L 4 Cyl DOHC 16V Turbo Engine
EDV = 2.4L 4 Cyl DOHC 16V HO Turbo Engine
EDZ = 2.4L 4 Cyl DOHC 16V SMPI Engine
EJD = 1.6L 4 Cyl SOHC 16V SMPI

TRANSMISSION
DGL = 4-Speed Automatic Transmission
DD5 = 5-Speed Manual Transmission
DDD = 5-Speed HD Manual Transmission

AR = use ase required - = Non illustrated part

2006 PT

**Balance Shafts [EDT][EDV]
Figure 2.4LT-620**



NOTE:

Sales Codes:

[DDD]=5-Speed H.D. Manual Transmission

[DGL]=4-Speed Automatic Transmission

[EDT] = 2.4L Inline 4 Cylinder DOHC 16V Turbo

[EDV] = 2.4L Inline 4 Cylinder DOHC 16V High Output Turbo

ITEM	PART NUMBER	QTY	LINE	SERIES	BODY	ENGINE	TRANS	TRIM	DESCRIPTION
1	04621517	1				EDT, EDV			SHAFT, Balance, Driver
2	04621518	1				EDT, EDV			SHAFT, Balance, Driven
3	06500150	2				EDT, EDV, EDZ			KEY, Crankshaft Sprocket
4	04323043	1				EDT, EDV, EDZ			COVER, Balance Shaft Carrier
5	06501714	4							SCREW AND WASHER, Hex Head, M6x1x18
6	04621519AE	1				EDT, EDV, EDZ			CARRIER, Balance Shaft
7	04448856	2				EDT, EDV, EDZ			DOWEL, Block To Cylinder Head
8	04621952	1				EDT, EDV, EDZ			GEAR, Balance Shaft Driver
9	06501404	2				EDT, EDV, EDZ			SCREW AND WASHER, Hex Head, M8x1.25x25
10	04621951	1				EDT, EDV, EDZ			GEAR, Balance Shaft Driven
11	06503389	2				EDT, EDV, EDZ			BOLT, Hex Flange Head, M10x1.50x108
12	06504878AA	2				EDT, EDV, EDZ			BOLT
13	04323039	1				EDT, EDV, EDZ			COVER, Balance Shaft Gear
14	04884473AA	1				EDT, EDV			TENSIONER, Chain
15	06100271	2				EDT, EDV, EDZ			BOLT AND CONED WASHER, Hex Head, M6x45x12.5
16	06100279	1				EDT, EDV, EDZ			SCREW AND WASHER, Hex Head, M6x1x35
17	04483485	1				EDT, EDV, EDZ			GEAR, Balance Shaft
18	06505188AA	1				EDT, EDV, EDZ			STUD, M6x1.00x40.00
19	04884472AA	1				EDT, EDV			GUIDE, Balance Shaft Chain
20	06100047	1				EDT, EDV, EDZ			NUT AND WASHER, Hex Nut-Coned Washer, M6 x 1.00

PT CRUISER (PT)

SERIES LINE
H = HIGHLINE C = CHRYSLER
P = PREMIUM Z = CHRYSLER (RHD)
S = SPORT
X = SPECIAL

BODY
27 = 2-DR CONVERTIBLE
44 = HATCHBACK/QUAD
CAB CHASSIS LWB

ENGINE
EDJ = 2.2L 4 Cyl Turbo Diesel Engine
EDT = 2.4L 4 Cyl DOHC 16V Turbo Engine
EDV = 2.4L 4 Cyl DOHC 16V HO Turbo Engine
EDZ = 2.4L 4 Cyl DOHC 16V SMPI Engine
EJD = 1.6L 4 Cyl SOHC 16V SMPI

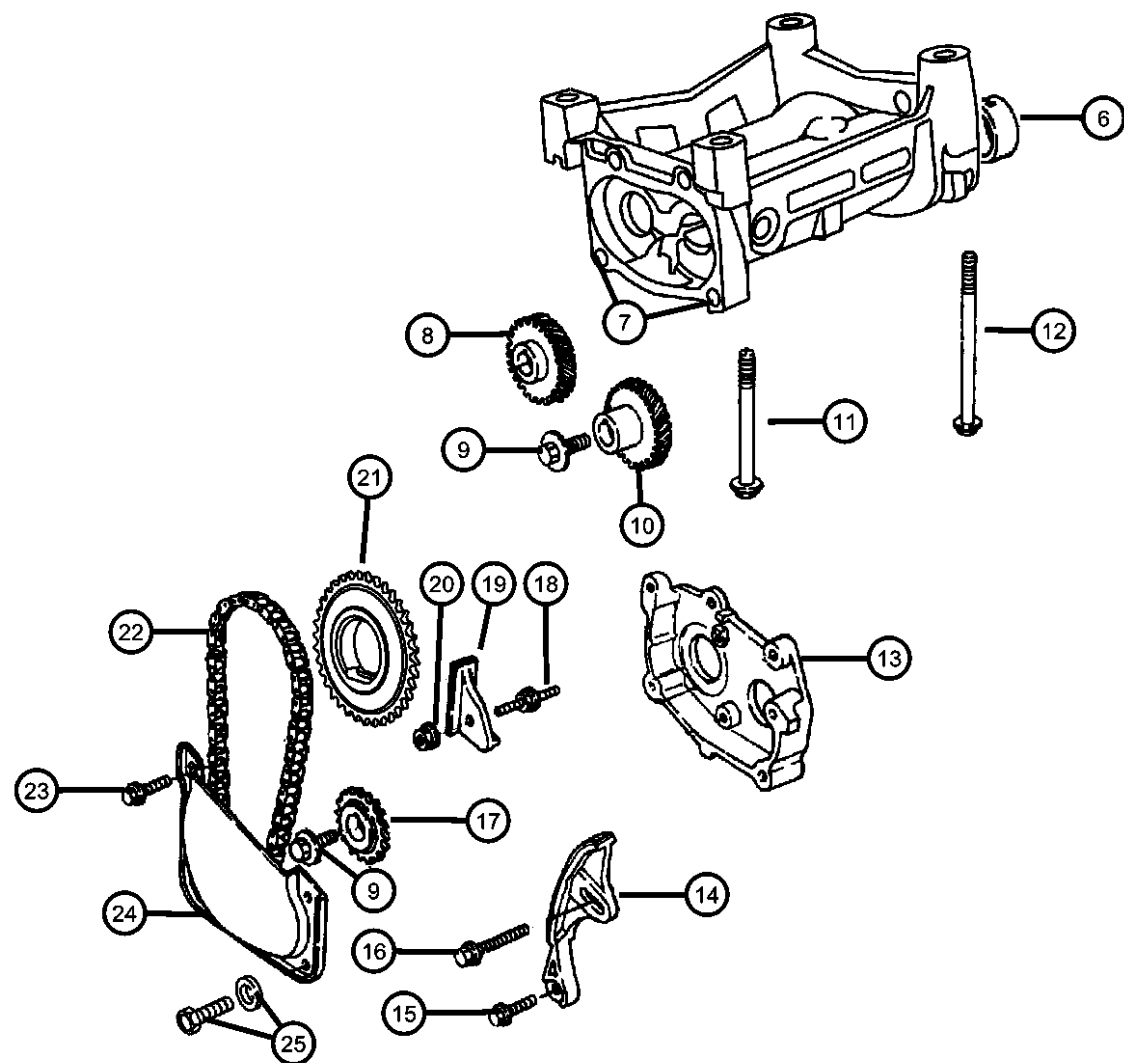
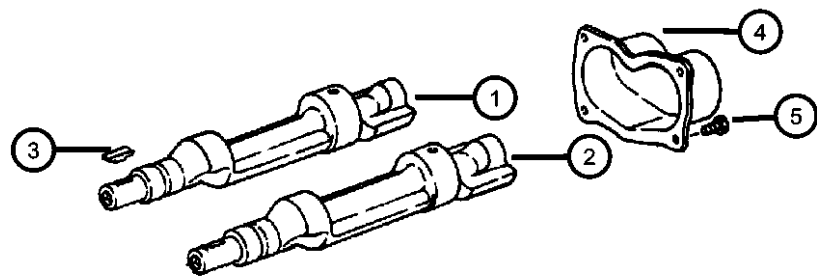
TRANSMISSION
DGL = 4-Speed Automatic Transmission
DD5 = 5-Speed Manual Transmission
DDD = 5-Speed HD Manual Transmission

AR = use ase required - = Non illustrated part

2006 PT

**Balance Shafts [EDT][EDV]
Figure 2.4LT-620**

ITEM	PART NUMBER	QTY	LINE	SERIES	BODY	ENGINE	TRANS	TRIM	DESCRIPTION
21	04621541	1				EDT, EDV, EDZ			GEAR, Crankshaft
22	04884452AA	1				EDT, EDV			CHAIN, Balance Shaft
23	06503389	2				EDT, EDV, EDZ			BOLT, Hex Flange Head, M10x1.50x108
24	04323041AD	1				EDT, EDV, EDZ			TROUGH, Carrier Cover
25	06100047	1				EDT, EDV, EDZ			NUT AND WASHER, Hex Nut-Coned Washer, M6 x 1.00



PT CRUISER (PT)

SERIES LINE
H = HIGHLINE C = CHRYSLER
P = PREMIUM Z = CHRYSLER (RHD)
S = SPORT
X = SPECIAL

BODY
27 = 2-DR CONVERTIBLE
44 = HATCHBACK/QUAD
CAB CHASSIS LWB

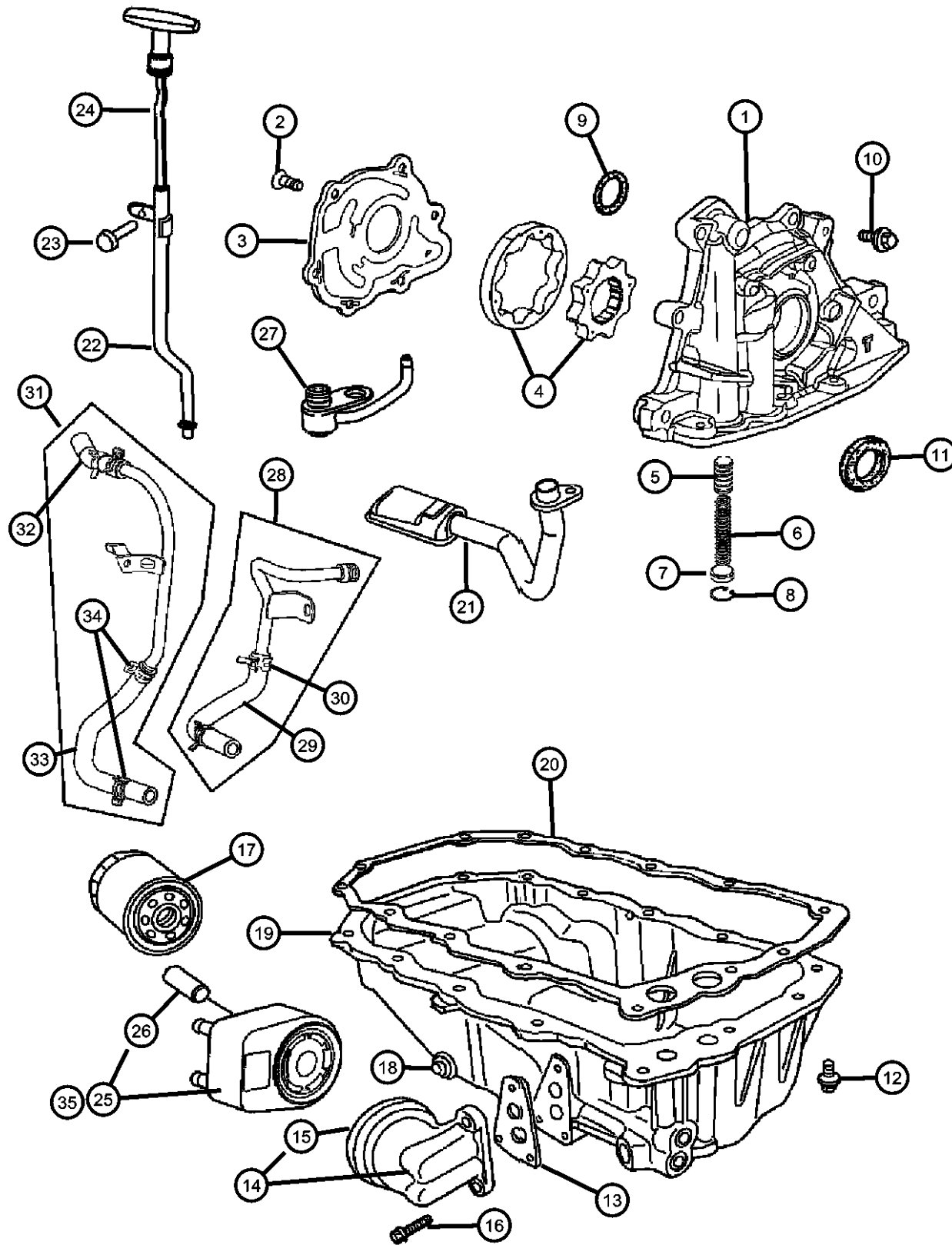
ENGINE
EDJ = 2.2L 4 Cyl Turbo Diesel Engine
EDT = 2.4L 4 Cyl DOHC 16V Turbo Engine
EDV = 2.4L 4 Cyl DOHC 16V HO Turbo Engine
EDZ = 2.4L 4 Cyl DOHC 16V SMPI Engine
EJD = 1.6L 4 Cyl SOHC 16V SMPI

TRANSMISSION
DGL = 4-Speed Automatic Transmission
DD5 = 5-Speed Manual Transmission
DDD = 5-Speed HD Manual Transmission

AR = use ase required - = Non illustrated part

2006 PT

**Engine Oiling [EDT][EDV]
Figure 2.4LT-710**



ITEM	PART NUMBER	QTY	LINE	SERIES	BODY	ENGINE	TRANS	TRIM	DESCRIPTION
------	-------------	-----	------	--------	------	--------	-------	------	-------------

NOTE:
Sales Codes:
[DDD]=5-Speed H.D. Manual Transmission
[DGL]=4-Speed Automatic Transmission
[EDT] = 2.4L Inline 4 Cylinder DOHC 16V Turbo
[EDV] = 2.4L Inline 4 Cylinder DOHC 16V High Output Turbo

1	04884390AB	1				EDT, EDV, EDZ			PUMP, Engine Oil
2	04884390AB	1							BOLT, Hex Head, Serviced in Pump Assy., (NOT SERVICED)
3	04884390AB	1							COVER, Oil Pump Back, Serviced in Pump Assy., (NOT SERVICED)
4	04884390AB	1							ROTOR SET, Oil Pump, Serviced In Pump Assy., (NOT SERVICED)
5	04884390AB	1							PLUNGER, Oil Pressure Relief Valve, Serviced in Pump Assy., (NOT SERVICED)
6	04884390AB	1							SPRING, Oil Pressure Relief Valve, Serviced in Pump Assy., (NOT SERVICED)
7	04884390AB	1							PLUG, Serviced in Pump Assy., (NOT SERVICED)
8	04884390AB	1							CLIP, Serviced in Pump Assy., (NOT SERVICED)
9	04483444AB	1				EDT, EDV, EDZ			O RING, Front Cover Oil Inlet
10	06100296	3				EDT, EDV, EDZ			BOLT, Hex Head
11	04667198	1				EDT, EDV, EDZ			SEAL, Front Main Crankshaft
12	06101451	14				EDT, EDV, EDZ			SCREW AND WASHER, Hex Head, M6x1x25
13	04884000AA	1				EDT, EDV, EDZ			GASKET, Oil Filter Adapter
14	04777998AC	1				EDT, EDV, EDZ			ADAPTER, Oil Filter
15	04104511AB	1				EDT, EDV, EDZ			CONNECTOR, Oil Filter Adapter
16	06102041AA	3				EDT, EDV, EDZ			SCREW
17	04781452BB	1				EDT, EDV			FILTER, Engine Oil
18	06507741AA	1				EDT, EDV, EDZ			PLUG, Oil Drain

PT CRUISER (PT)

SERIES LINE
H = HIGHLINE C = CHRYSLER
P = PREMIUM Z = CHRYSLER (RHD)
S = SPORT
X = SPECIAL

BODY
27 = 2-DR CONVERTIBLE
44 = HATCHBACK/QUAD
CAB CHASSIS LWB

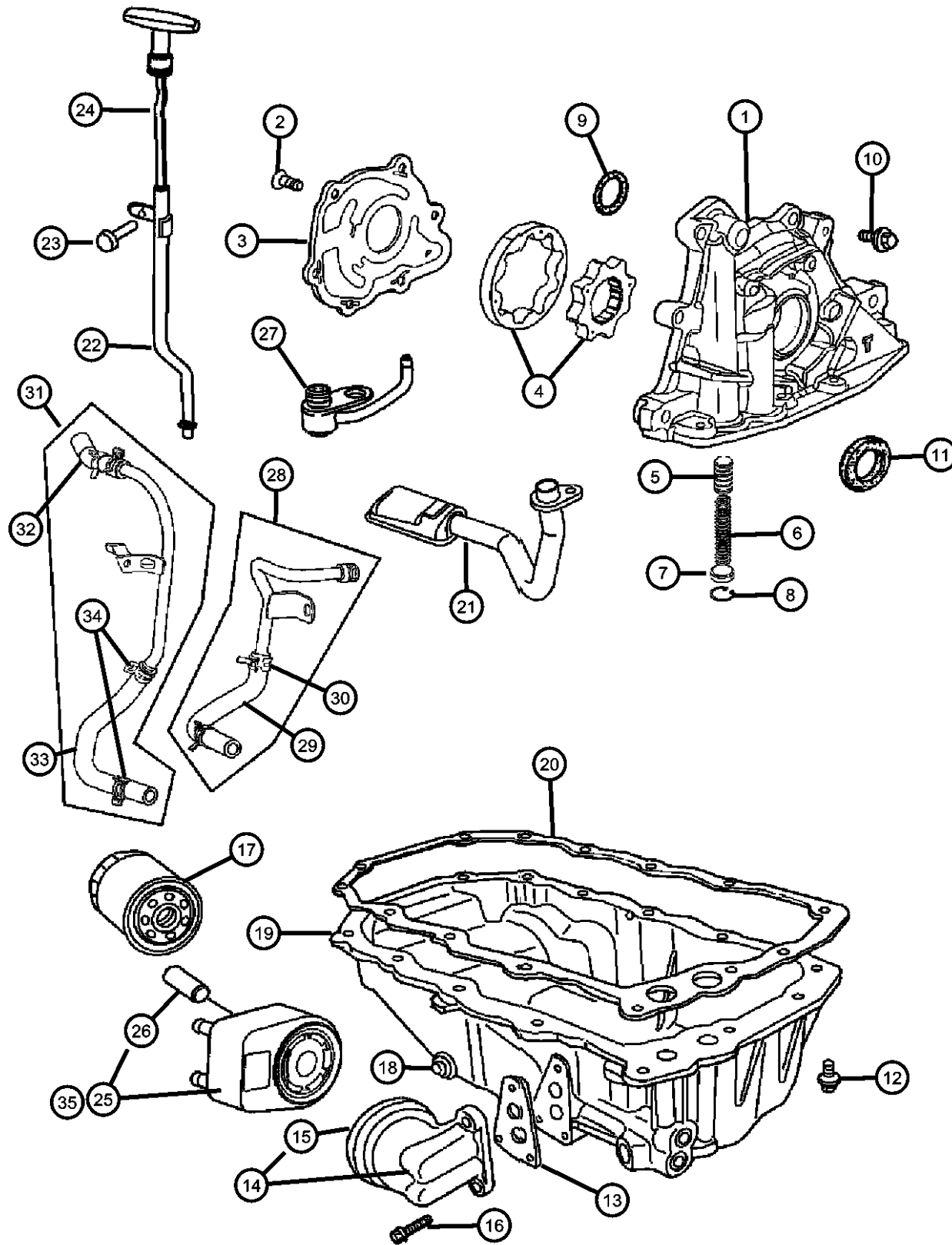
ENGINE
EDJ = 2.2L 4 Cyl Turbo Diesel Engine
EDT = 2.4L 4 Cyl DOHC 16V Turbo Engine
EDV = 2.4L 4 Cyl DOHC 16V HO Turbo Engine
EDZ = 2.4L 4 Cyl DOHC 16V SMPI Engine
EJD = 1.6L 4 Cyl SOHC 16V SMPI

TRANSMISSION
DGL = 4-Speed Automatic Transmission
DD5 = 5-Speed Manual Transmission
DDD = 5-Speed HD Manual Transmission

AR = use ase required - = Non illustrated part

2006 PT

Engine Oiling [EDT][EDV]
Figure 2.4LT-710



ITEM	PART NUMBER	QTY	LINE	SERIES	BODY	ENGINE	TRANS	TRIM	DESCRIPTION
19	04884385AE	1				EDT, EDV, EDZ			PAN, Engine Oil
20	04777994AE	1				EDT, EDV, EDZ			GASKET, Oil Pan
21	04792304AC	1				EDT, EDV, EDZ			TUBE, Oil Pickup
22	04777964AB	1				EDT, EDV			TUBE, Engine Oil Indicator
23	06102152AA	3				EDT, EDV			SCREW, Tapping Hex Flange Head, M6.3x1.81x20.00
24	04777965AA	1				EDT, EDV			INDICATOR, Engine Oil Level
25	04884242AD	1				EDT, EDV			COOLER, Engine Oil
26	04884332AC	1				EDT, EDV			FITTING, Engine Oil Cooler
27	04694659AC	4				EDT, EDV			JET, Piston Oil Cooler
28	04884303AC	1				EDT, EDV			TUBE, Oil Cooler, Supply
29	04884303AC	1							
30	06504514	2				EDT, EDV			CLAMP, HOSE CLAMP
31	04884297AE	1				EDT, EDV			TUBE, Oil Cooler
32	04884299AA	1				EDT, EDV			HOSE, Oil Cooler
33	04884299AA	1							HOSE, Oil Cooler, Serviced With Item 33 Tube Assy, (NOT SERVICED)
34	06504514	4				EDT, EDV			CLAMP, HOSE CLAMP
35	06507682AA	4				EDT, EDV			BOLT

PT CRUISER (PT)

SERIES LINE
H = HIGHLINE C = CHRYSLER
P = PREMIUM Z = CHRYSLER (RHD)
S = SPORT
X = SPECIAL

BODY
27 = 2-DR CONVERTIBLE
44 = HATCHBACK/QUAD
CAB CHASSIS LWB

ENGINE
EDJ = 2.2L 4 Cyl Turbo Diesel Engine
EDT = 2.4L 4 Cyl DOHC 16V Turbo Engine
EDV = 2.4L 4 Cyl DOHC 16V HO Turbo Engine
EDZ = 2.4L 4 Cyl DOHC 16V SMPI Engine
EJD = 1.6L 4 Cyl SOHC 16V SMPI

TRANSMISSION
DGL = 4-Speed Automatic Transmission
DD5 = 5-Speed Manual Transmission
DDD = 5-Speed HD Manual Transmission

AR = use ase required - = Non illustrated part

2006 PT

**Intake Manifold
Figure 2.4LT-810**

ITEM	PART NUMBER	QTY	LINE	SERIES	BODY	ENGINE	TRANS	TRIM	DESCRIPTION
------	-------------	-----	------	--------	------	--------	-------	------	-------------

NOTE:

Sales Codes:

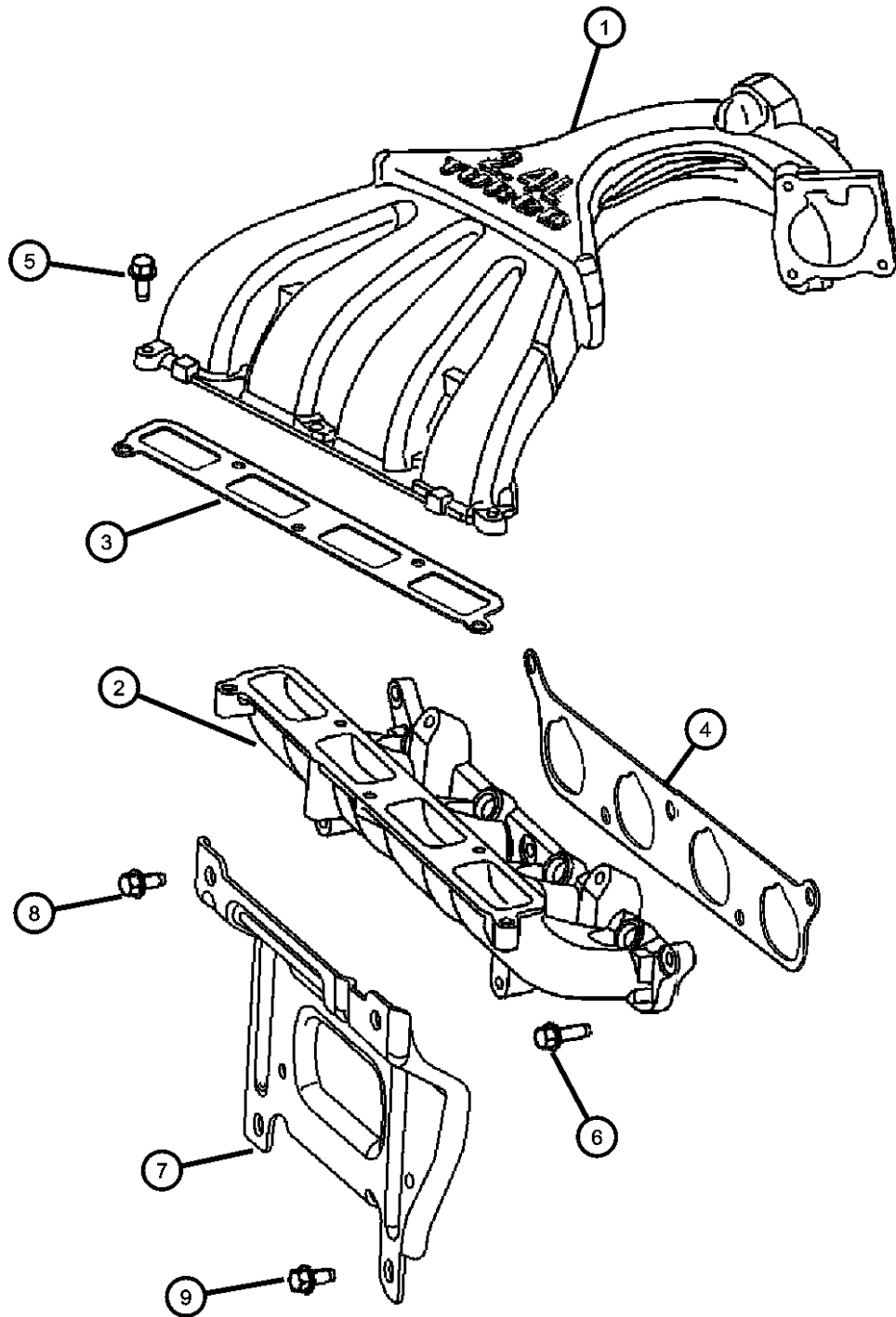
[DDD]=5-Speed H.D. Manual Transmission

[DGL]=4-Speed Automatic Transmission

[EDT]=2.4L 4CYL DOHC 16Valve Turbo

[EDV]=2.4L 4CYL DOHC 16Valve Highoutput Turbo

1	04884514AB	1				EDT, EDV			MANIFOLD, Intake, Upper
2	04884520AB	1				EDT, EDV			MANIFOLD, Intake
3	04884192AA	1				EDT, EDV			GASKET, Intake Manifold, Upper Intake Manifold To Lower
4	04884195AA	1				EDT, EDV			GASKET, Intake Manifold, Lower Intake To Cylinder Head
5	06505557AA	5				EDT, EDV			SCREW
6	06506770AA	5				EDT, EDV			SCREW
7	04884512AA	1				EDT, EDV			BRACKET, Intake Manifold
8	06501753	2				EDT, EDV			SCREW AND WASHER, Hex Head, M8x1.25x20, Bracket To Cylinder Head
9	06506461AA	7				EDT, EDV			SCREW



PT CRUISER (PT)

SERIES LINE
H = HIGHLINE C = CHRYSLER
P = PREMIUM Z = CHRYSLER (RHD)
S = SPORT
X = SPECIAL

BODY
27 = 2-DR CONVERTIBLE
44 = HATCHBACK/QUAD
CAB CHASSIS LWB

ENGINE
EDJ = 2.2L 4 Cyl Turbo Diesel Engine
EDT = 2.4L 4 Cyl DOHC 16V Turbo Engine
EDV = 2.4L 4 Cyl DOHC 16V HO Turbo Engine
EDZ = 2.4L 4 Cyl DOHC 16V SMPI Engine
EJD = 1.6L 4 Cyl SOHC 16V SMPI

TRANSMISSION
DGL = 4-Speed Automatic Transmission
DD5 = 5-Speed Manual Transmission
DDD = 5-Speed HD Manual Transmission

AR = use ase required - = Non illustrated part

2006 PT

**Exhaust Manifold With Turbocharger
Figure 2.4LT-820**

ITEM	PART NUMBER	QTY	LINE	SERIES	BODY	ENGINE	TRANS	TRIM	DESCRIPTION
------	-------------	-----	------	--------	------	--------	-------	------	-------------

NOTE:

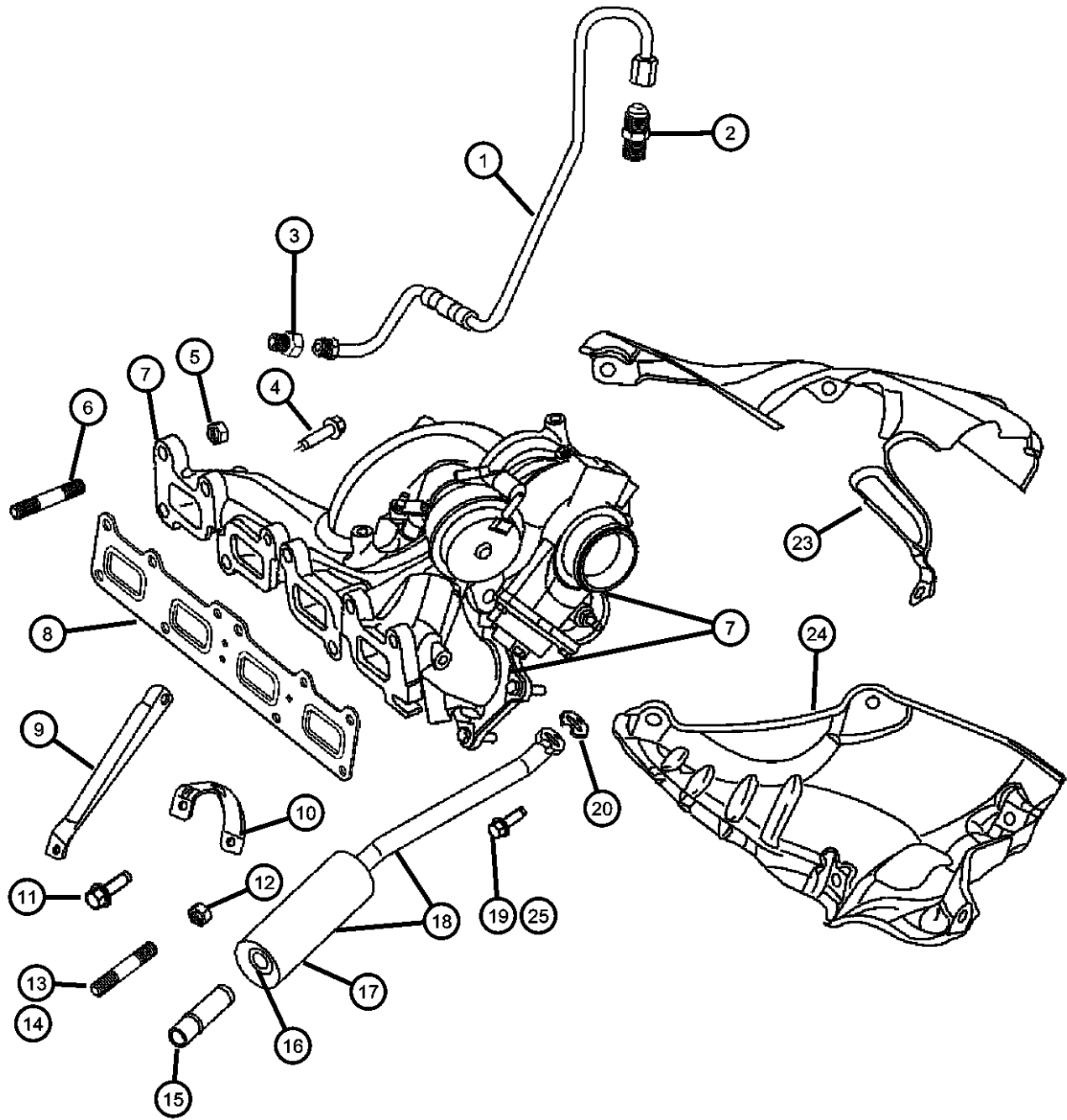
Sales Codes:

[DDD]=5-Speed H.D. Manual Transmission

[DGL]=4-Speed Automatic Transmission

[EDT]=2.4L 4CYL DOHC 16Valve Turbo

[EDV]=2.4L 4CYL DOHC 16Valve Highoutput Turbo



1	04884276AD	1				EDT, EDV			TUBE, Turbo Oil Feed
2	06036517AA	1				EDT, EDV			FITTING, Oil Feed Line
3	06036516AA	1				EDT, EDV			NUT, Inverted Flare
4	06503131	7				EDT, EDV			BOLT, Hex Flange Head, M8x1.25x30
5	06504152	3				EDT, EDV			NUT, Hex Flange Lock, M8x1.25
6	06507829AA	3				EDT, EDV			STUD
7	04884234AC	1				EDT, EDV			MANIFOLD/TURBOCHARGER, Exhaust
8	04884447AA	1				EDT, EDV			GASKET, Exhaust Manifold
9	04884272AB	1				EDT, EDV			BRACKET, Turbo Charger
10	04884412AA	1				EDT, EDV			BRACKET, Turbo Charger
11	06101512	2				EDT, EDV			SCREW AND WASHER, Hex Head, M10x1.5x45
12	06500363	3				EDT, EDV			NUT, Hex Flange Lock, M8x1.25
13	06507562AA	1				EDT, EDV			STUD, Double Ended
14									STUD
	06506343AA	1				EDT, EDV			Elbow Support Bracket To Block
	06506423AA	1				EDT, EDV			Elbow Support Bracket To Elbow
15	04847404	1				EDT, EDV			TUBE, Oil Drain, To Cylinder Block
16	04898551AD	1				EDT, EDV			HOSE, Turbo Oil Drain
17	04884439AA	1				EDT, EDV			SLEEVE
18	04884278AC	1				EDT, EDV			TUBE, Oil Drain
19	06500464	2				EDT, EDV			BOLT
20	04343770	1				EDT, EDV			GASKET, Turbo Oil Drain Pipe
-21	32002256	1				EDT, EDV			CLAMP, Hose
22	04884273AC	1				EDT, EDV			SHIELD, Exhaust Manifold, Upper
23	04884274AC	1				EDT, EDV			SHIELD, Exhaust Manifold

PT CRUISER (PT)

SERIES LINE
H = HIGHLINE C = CHRYSLER
P = PREMIUM Z = CHRYSLER (RHD)
S = SPORT
X = SPECIAL

BODY
27 = 2-DR CONVERTIBLE
44 = HATCHBACK/QUAD
CAB CHASSIS LWB

ENGINE
EDJ = 2.2L 4 Cyl Turbo Diesel Engine
EDT = 2.4L 4 Cyl DOHC 16V Turbo Engine
EDV = 2.4L 4 Cyl DOHC 16V HO Turbo Engine
EDZ = 2.4L 4 Cyl DOHC 16V SMPI Engine
EJD = 1.6L 4 Cyl SOHC 16V SMPI

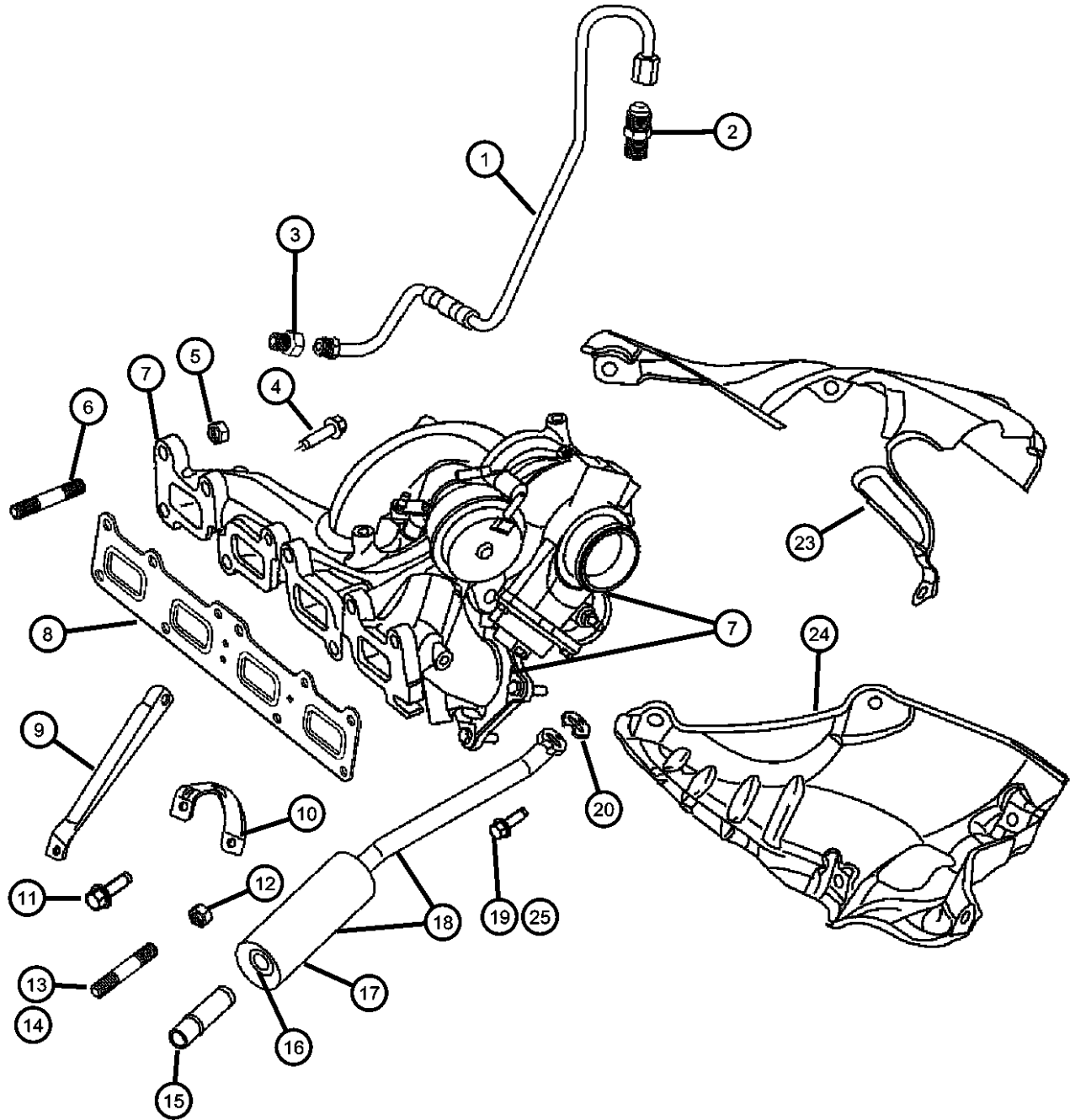
TRANSMISSION
DGL = 4-Speed Automatic Transmission
DD5 = 5-Speed Manual Transmission
DDD = 5-Speed HD Manual Transmission

AR = use ase required - = Non illustrated part

2006 PT

Exhaust Manifold With Turbocharger
Figure 2.4LT-820

ITEM	PART NUMBER	QTY	LINE	SERIES	BODY	ENGINE	TRANS	TRIM	DESCRIPTION
24	06506461AA	7				EDT, EDV			SCREW, Heat Sheild To Turbo Charger
-25	06502017	1				EDT, EDV			CLAMP, Hose, 24X15, Turbo Oil Drain Hose To Return Tube



PT CRUISER (PT)

SERIES LINE
H = HIGHLINE C = CHRYSLER
P = PREMIUM Z = CHRYSLER (RHD)
S = SPORT
X = SPECIAL

BODY
27 = 2-DR CONVERTIBLE
44 = HATCHBACK/QUAD
CAB CHASSIS LWB

ENGINE
EDJ = 2.2L 4 Cyl Turbo Diesel Engine
EDT = 2.4L 4 Cyl DOHC 16V Turbo Engine
EDV = 2.4L 4 Cyl DOHC 16V HO Turbo Engine
EDZ = 2.4L 4 Cyl DOHC 16V SMPI Engine
EJD = 1.6L 4 Cyl SOHC 16V SMPI

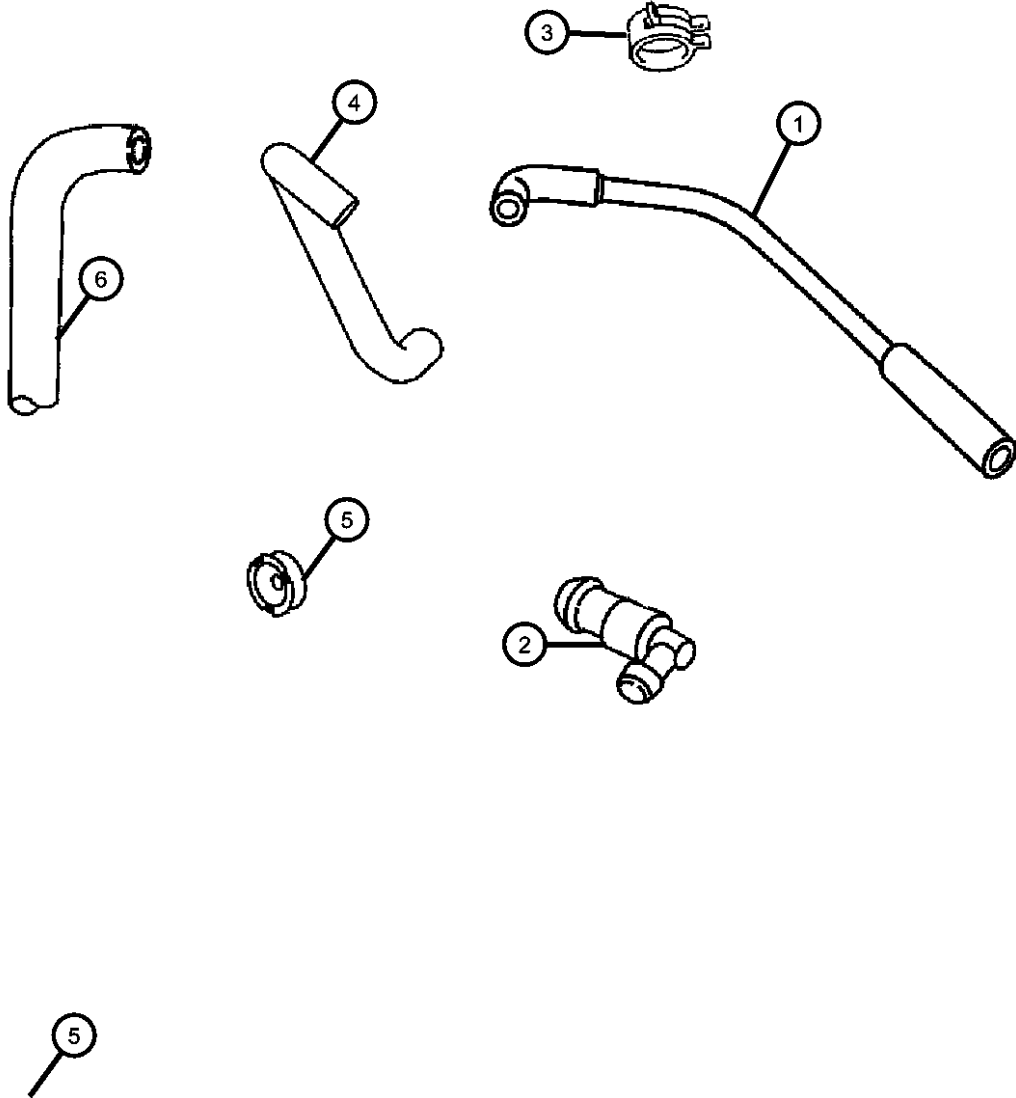
TRANSMISSION
DGL = 4-Speed Automatic Transmission
DD5 = 5-Speed Manual Transmission
DDD = 5-Speed HD Manual Transmission

AR = use ase required - = Non illustrated part

**Crankcase Ventilation [EDT][EDV]
Figure 2.4LT-910**

ITEM	PART NUMBER	QTY	LINE	SERIES	BODY	ENGINE	TRANS	TRIM	DESCRIPTION
------	-------------	-----	------	--------	------	--------	-------	------	-------------

NOTE:
Sales Codes:
[DDD]=5-Speed H.D. Manual Transmission
[DGL]=4-Speed Automatic Transmission
[EDT] = 2.4L Inline 4 Cylinder DOHC 16V Turbo
[EDV] = 2.4L Inline 4 Cylinder DOHC 16V High Output Turbo



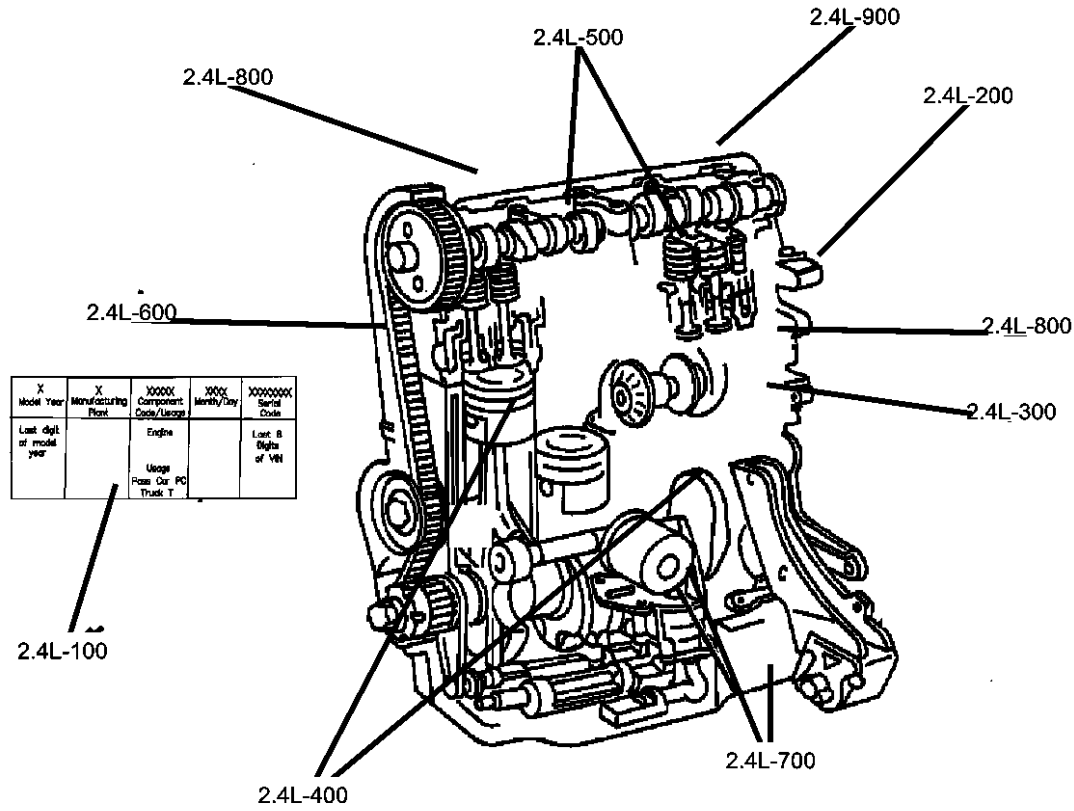
1	04884702AB	1				EDT, EDV			HOSE, Polution Control Valve
2	04884479AB	1				EDT, EDV			VALVE, PCV
3	06506365AA	2				EDT, EDV			CLAMP, Hose, M18.5
4	04884289AD	1				EDT, EDV			HOSE, Crankcase Vent
5	04884289AD	1							RESTRICTOR, PCV, Not Required, (NOT SERVICED)
6	04884289AD	1							HOSE, Make Up Air, Not Required, (NOT SERVICED)

PT CRUISER (PT)				
SERIES	LINE	BODY	ENGINE	TRANSMISSION
H = HIGHLINE	C = CHRYSLER	27 = 2-DR CONVERTIBLE	EDJ = 2.2L 4 Cyl Turbo Diesel Engine	DGL = 4-Speed Automatic Transmission
P = PREMIUM	Z = CHRYSLER (RHD)	44 = HATCHBACK/QUAD CAB CHASSIS LWB	EDT = 2.4L 4 Cyl DOHC 16V Turbo Engine	DD5 = 5-Speed Manual Transmission
S = SPORT			EDV = 2.4L 4 Cyl DOHC 16V HO Turbo Engine	DDD = 5-Speed HD Manual Transmission
X = SPECIAL			EDZ = 2.4L 4 Cyl DOHC 16V SMPI Engine	
			EJD = 1.6L 4 Cyl SOHC 16V SMPI	

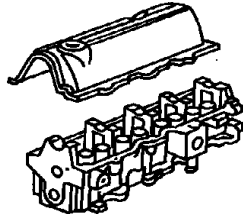
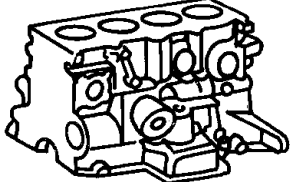
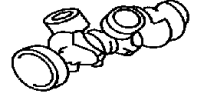
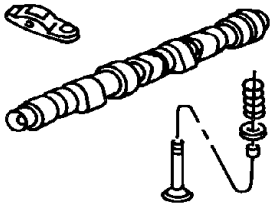
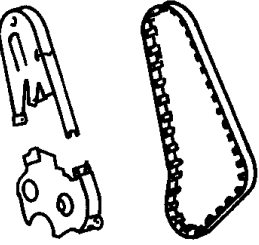
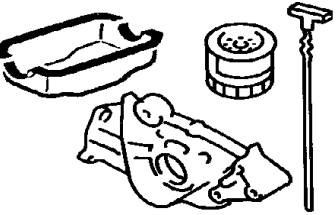
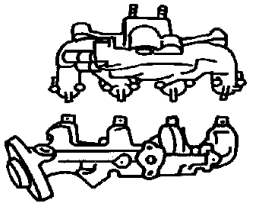
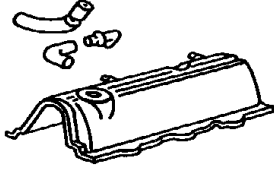
AR = use ase required - = Non illustrated part

Group - 2.4L

Engine 2.4L Four Cylinder



X Model Year	X Manufacturing Plant	XXXXX Component Code/Usage	XXXX Month/Day	XXXXXXXXXX Serial Code
Last digit of model year		Engine Usage Pass Car PC Truck T		Last 8 Digits of VIN

<p>2.4L-100 Engine Identification</p> <table border="1"> <thead> <tr> <th>X Model Year</th> <th>X Manufacturing Plant</th> <th>XXXXX Component Code/Usage</th> <th>XXXX Month/Day</th> <th>XXXXXXXXXX Serial Code</th> </tr> </thead> <tbody> <tr> <td>Last digit of model year</td> <td>Sattilo S Trenton T Tokyo K</td> <td>Engine 3.2L - 3.5L Usage Pass Car PC Truck T</td> <td></td> <td>Last 8 Digits of VIN</td> </tr> </tbody> </table>	X Model Year	X Manufacturing Plant	XXXXX Component Code/Usage	XXXX Month/Day	XXXXXXXXXX Serial Code	Last digit of model year	Sattilo S Trenton T Tokyo K	Engine 3.2L - 3.5L Usage Pass Car PC Truck T		Last 8 Digits of VIN	<p>2.4L-200 Cylinder Head</p> 	<p>2.4L-300 Cylinder Block</p> 	<p>2.4L-400 Crankshaft, Piston, and Drive Plate</p> 
X Model Year	X Manufacturing Plant	XXXXX Component Code/Usage	XXXX Month/Day	XXXXXXXXXX Serial Code									
Last digit of model year	Sattilo S Trenton T Tokyo K	Engine 3.2L - 3.5L Usage Pass Car PC Truck T		Last 8 Digits of VIN									
<p>2.4L-500 Camshafts and Valves</p> 	<p>2.4L-600 Timing Belt and Cover</p> 	<p>2.4L-700 Engine Oiling</p> 	<p>2.4L-800 Manifolds</p> 										
<p>2.4L-900 Crankcase Ventilation</p> 													

Group - 2.4L Engine 2.4L Four Cylinder

Illustration Title	Group-Fig. No.
Engine Identification	
I.D. Location [EDZ].....	Fig. 2.4L - 110
Cylinder Head	
Cylinder Head [EDZ].....	Fig. 2.4L - 210
Cylinder Block	
Cylinder Block [EDZ].....	Fig. 2.4L - 310
Heater Block [EDZ].....	Fig. 2.4L - 320
Crankshaft, Piston, and Drive Plate	
Crankshaft, Piston, and Torque Converter [EDZ].....	Fig. 2.4L - 410
Camshafts and Valves	
Camshaft and Valves [EDZ].....	Fig. 2.4L - 510
Timing Belt and Cover	
Timing Belt and Cover [EDZ].....	Fig. 2.4L - 610
Balance Shafts [EDZ].....	Fig. 2.4L - 620
Engine Oiling	
Engine Oiling [EDZ].....	Fig. 2.4L - 710
Manifolds	
Manifolds, Intake and Exhaust [EDZ].....	Fig. 2.4L - 810
Crankcase Ventilation	
Crankcase Ventilation [EDZ].....	Fig. 2.4L - 910

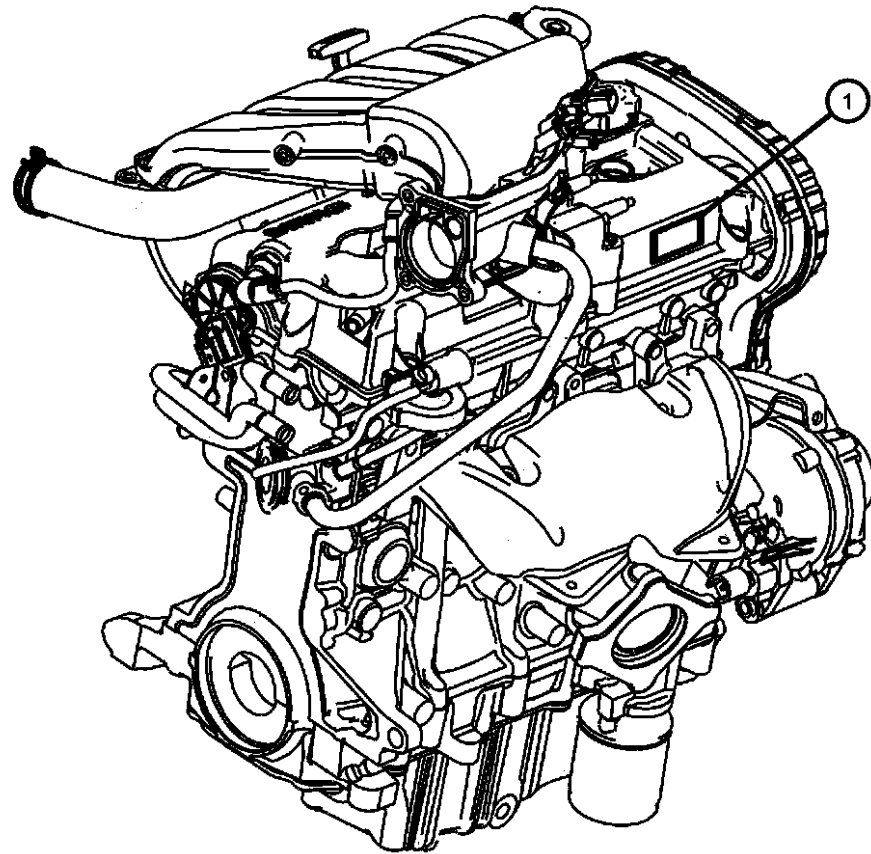
I.D. Location [EDZ]
Figure 2.4L-110

ITEM	PART NUMBER	QTY	LINE	SERIES	BODY	ENGINE	TRANS	TRIM	DESCRIPTION
------	-------------	-----	------	--------	------	--------	-------	------	-------------

NOTES: Engine ID is located on the left bank at the rear of the block just below the head.
Sales Code
[EDZ] = 2.4L 4 Cylinder DOHC 16V SMPI Engine.

1	04884289AD	1							
---	------------	---	--	--	--	--	--	--	--

LABEL, Engine Identification, (NOT SERVICED)



PT CRUISER (PT)

SERIES	LINE
H = HIGHLINE	C = CHRYSLER
P = PREMIUM	Z = CHRYSLER (RHD)
S = SPORT	
X = SPECIAL	

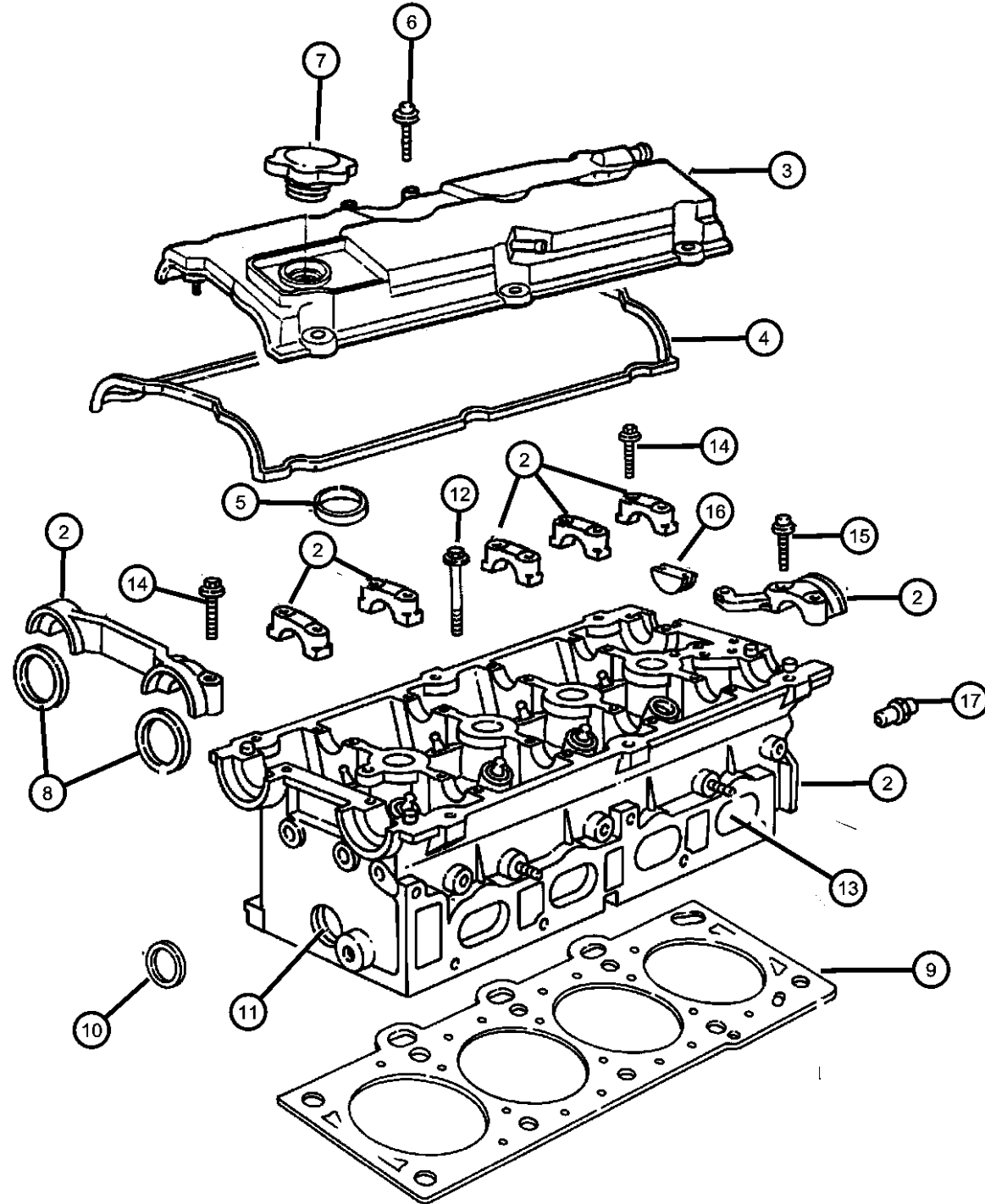
BODY
27 = 2-DR CONVERTIBLE
44 = HATCHBACK/QUAD CAB CHASSIS LWB

ENGINE	TRANSMISSION
EDJ = 2.2L 4 Cyl Turbo Diesel Engine	DGL = 4-Speed Automatic Transmission
EDT = 2.4L 4 Cyl DOHC 16V Turbo Engine	DD5 = 5-Speed Manual Transmission
EDV = 2.4L 4 Cyl DOHC 16V HO Turbo Engine	DDD = 5-Speed HD Manual Transmission
EDZ = 2.4L 4 Cyl DOHC 16V SMPI Engine	
EJD = 1.6L 4 Cyl SOHC 16V SMPI	

AR = use ase required - = Non illustrated part

2006 PT

**Cylinder Head [EDZ]
Figure 2.4L-210**



ITEM	PART NUMBER	QTY	LINE	SERIES	BODY	ENGINE	TRANS	TRIM	DESCRIPTION
------	-------------	-----	------	--------	------	--------	-------	------	-------------

NOTE: Upper Engine Gasket Package contains: Camshaft and Camshaft Sensor Seals, Cylinder Head and Valve Cover Gaskets, EGR Valve and Sales Code
[EDZ]=2.4L DOHC Engine.

-1	05083152AB	1				EDZ			GASKET PACKAGE, Engine Upper
2	05170051AA	1				EDT, EDV, EDZ			HEAD, Cylinder
3	04777473AD	1				EDZ			COVER, Cylinder Head
4	04777478	1				EDZ			GASKET, Valve Cover
5	04777477	4				EDZ			GASKET, Spark Plug Well
6	04777997AA	9				EDZ			ISOLATOR, Cylinder Head Cover, Grommet And Bolt
7	53010656AA	1				EDZ			CAP, Oil Filler, Includes O-Ring
8									O RING
	68029299AA	1		C, Z		EDZ			Oil Filler Cap 27
		1		C, Z		EDZ			Oil Filler Cap
9	04777086	2				EDZ			SEAL, Camshaft
10	04884443AB	1				EDZ			GASKET, Cylinder Head
11	04556020	2				EDT, EDV, EDZ			PLUG, Core, 1.25 Diameter
12	00444668	1				EDV, EDZ, EDT			PLUG, Core
13	06504033	10				EDT, EDZ			BOLT, Cylinder Head
14	06503131	10				EDZ			BOLT, Hex Flange Head, M8x1.25x30
15	06100918	18				EDT, EDV, EDZ			BOLT, Hex Flange Head, M6x1.00x35
16	06101527	6				EDT, EDV, EDZ			SCREW, Hex Flange Head, M8x1.25x40
17	04884880AA	1				EDT, EDV, EDZ			PLUG, Camshaft
18	04884880AA	1							RESTRICTOR, Cylinder Head Oil, Part of Head Gasket, (NOT SERVICED)

PT CRUISER (PT)

SERIES LINE
H = HIGHLINE C = CHRYSLER
P = PREMIUM Z = CHRYSLER (RHD)
S = SPORT
X = SPECIAL

BODY
27 = 2-DR CONVERTIBLE
44 = HATCHBACK/QUAD
CAB CHASSIS LWB

ENGINE
EDJ = 2.2L 4 Cyl Turbo Diesel Engine
EDT = 2.4L 4 Cyl DOHC 16V Turbo Engine
EDV = 2.4L 4 Cyl DOHC 16V HO Turbo Engine
EDZ = 2.4L 4 Cyl DOHC 16V SMPI Engine
EJD = 1.6L 4 Cyl SOHC 16V SMPI

TRANSMISSION
DGL = 4-Speed Automatic Transmission
DD5 = 5-Speed Manual Transmission
DDD = 5-Speed HD Manual Transmission

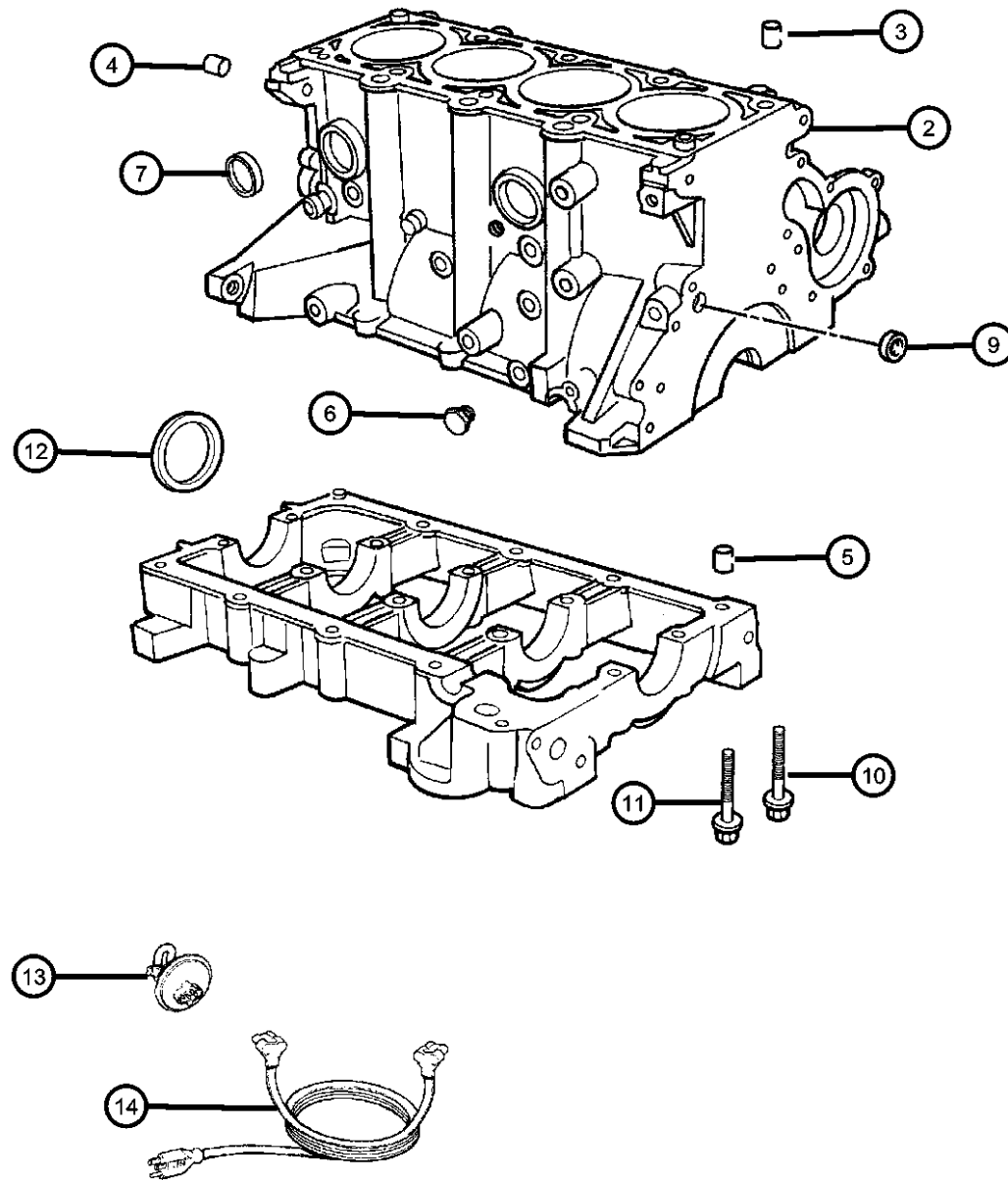
AR = use ase required - = Non illustrated part

2006 PT

**Cylinder Block [EDZ]
Figure 2.4L-310**

ITEM	PART NUMBER	QTY	LINE	SERIES	BODY	ENGINE	TRANS	TRIM	DESCRIPTION
------	-------------	-----	------	--------	------	--------	-------	------	-------------

NOTE:
Lower Gasket Package Includes; Oil Pan and Oil Filter Adapter Gaskets: Seals for the Water Pump, Crankshaft and Oil Pick Up Tube: Water Inlet a
Sales Code
[EDZ] = 2.4L4 Cylinder DOHC 16V SMPI



-1	05093452AA	1				EDZ			GASKET PACKAGE, Engine Lower
2	05114480AB	1				EDZ			BLOCK, Short
3	04448856	2				EDT, EDV, EDZ			DOWEL, Block To Cylinder Head
4	05240849	2				EDT, EDV, EDZ			DOWEL
5	04694106	2				EDZ			DOWEL, Engine Block To Bedplate
6	06036543AA	6				EDT, EDV, EDZ			PLUG, Pipe, [.250-18x.560]
7	04556020	2				EDT, EDV, EDZ			PLUG, Core, 1.25 Diameter
-8	06034804	4				EDT, EDV, EDZ			PLUG, Core, 1.39 Diameter
9	04556018AB	1				EDT, EDV, EDZ			PLUG, Cylinder Block Oil Hole
10	06503387	10				EDZ			BOLT, Main Bearing Cap
11	06504257	10				EDZ			BOLT, Hex Head, M8x1.25x70
12	04621939AB	1				EDT, EDV, EDZ			SEAL, Rear Main Crankshaft
13	05033157AB	1				EDT, EDV, EDZ			HEATER, Engine Block
14	04794324AC	1				EDZ			CORD, Engine Block Heater

PT CRUISER (PT)

SERIES	LINE	BODY	ENGINE	TRANSMISSION
H = HIGHLINE	C = CHRYSLER	27 = 2-DR CONVERTIBLE	EDJ = 2.2L 4 Cyl Turbo Diesel Engine	DGL = 4-Speed Automatic Transmission
P = PREMIUM	Z = CHRYSLER (RHD)	44 = HATCHBACK/QUAD CAB CHASSIS LWB	EDT = 2.4L 4 Cyl DOHC 16V Turbo Engine	DD5 = 5-Speed Manual Transmission
S = SPORT			EDV = 2.4L 4 Cyl DOHC 16V HO Turbo Engine	DDD = 5-Speed HD Manual Transmission
X = SPECIAL			EDZ = 2.4L 4 Cyl DOHC 16V SMPI Engine	
			EJD = 1.6L 4 Cyl SOHC 16V SMPI	

AR = use ase required - = Non illustrated part

2006 PT

**Heater Block [EDZ]
Figure 2.4L-320**

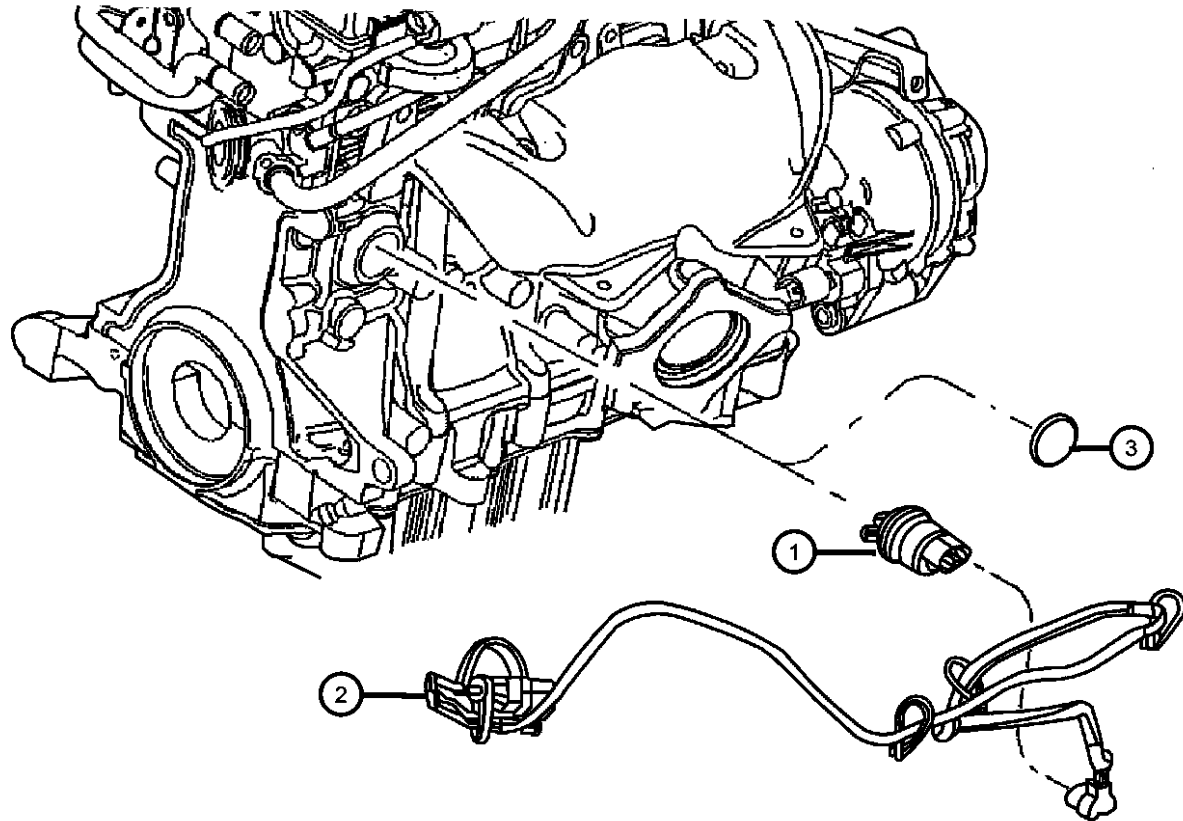
ITEM	PART NUMBER	QTY	LINE	SERIES	BODY	ENGINE	TRANS	TRIM	DESCRIPTION
------	-------------	-----	------	--------	------	--------	-------	------	-------------

NOTES:

Sales Codes

[EDZ] = 2.4L 4 Cylinder DOHC 16V SMPI

1	05033157AB	1				EDZ			HEATER, Engine Block
2	04794324AC	1				EDZ			CORD, Engine Block Heater
3	04794324AC	1							PLUG, Purchased with Engine Assy., (NOT SERVICED)



PT CRUISER (PT)

SERIES	LINE
H = HIGHLINE	C = CHRYSLER
P = PREMIUM	Z = CHRYSLER (RHD)
S = SPORT	
X = SPECIAL	

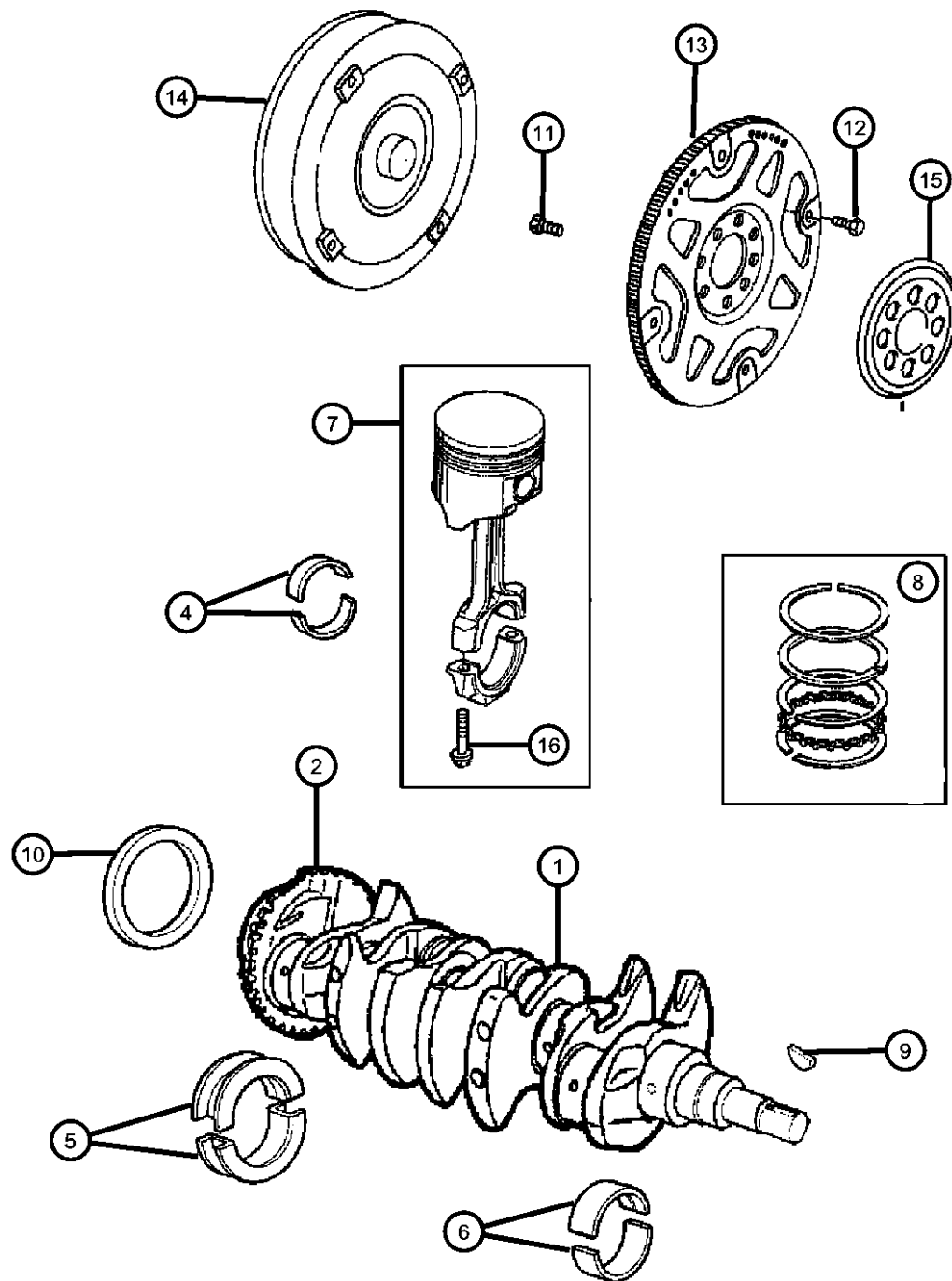
BODY
27 = 2-DR CONVERTIBLE
44 = HATCHBACK/QUAD CAB CHASSIS LWB

ENGINE	TRANSMISSION
EDJ = 2.2L 4 Cyl Turbo Diesel Engine	DGL = 4-Speed Automatic Transmission
EDT = 2.4L 4 Cyl DOHC 16V Turbo Engine	DD5 = 5-Speed Manual Transmission
EDV = 2.4L 4 Cyl DOHC 16V HO Turbo Engine	DDD = 5-Speed HD Manual Transmission
EDZ = 2.4L 4 Cyl DOHC 16V SMPI Engine	
EJD = 1.6L 4 Cyl SOHC 16V SMPI	

AR = use ase required - = Non illustrated part

2006 PT

**Crankshaft, Piston, and Torque Converter [EDZ]
Figure 2.4L-410**



ITEM	PART NUMBER	QTY	LINE	SERIES	BODY	ENGINE	TRANS	TRIM	DESCRIPTION
NOTES: Sales Codes [DGL] = 4 Speed Automatic Transmission, 41TE [DD5] = 5 Speed Manual Transmission [EDZ] = 2.4L 4 Cylinder DOHC 16VSMPI									
1	04781643AA	1				EDT, EDV, EDZ			CRANKSHAFT
2	05114417AA	1				EDT, EDV, EDZ			RING PACKAGE, Crankshaft Target
-3	06506656AA	4				EDT, EDV, EDZ			SCREW
4	05174612AA	4				EDZ			BEARING KIT, Connecting Rod, Standard
5	05174619AA	1				EDT, EDV, EDZ			BEARING KIT, Crankshaft Thrust, Std
6	05174617AA	4				EDT, EDV, EDZ			BEARING KIT, Crankshaft, Standard
7	05142303AB	4				EDZ			PISTON PIN AND ROD
8	05073524AA	1				EDZ			PISTON RING SET, COMPLETE ENGINE, STD.
9	06035473	1				EDT, EDV, EDZ			KEY, Crankshaft Sprocket
10	04621939AB	1				EDT, EDV, EDZ			SEAL, Rear Main Crankshaft
11	06503465	8				EDT, EDV, EDZ, EJD			BOLT, Drive Plate and Flywheel
12	06504383	4				EDZ	DD5		BOLT, Hex Head, M10x1.50 x 13.20
13	04567143	1				EDZ	DD5		PLATE, Drive Plate
14	05018956AB	1				EDZ	DGL		CONVERTER PACKAGE, Torque
15	04471933	1				EDT, EDV, EDZ			PLATE, Drive Plate Backing
16	06508307AA	8				EDZ			FLANGE BOLT, Connecting Rod, MJ9X1.00X45.00
-17	05222629	1				EDZ	DGL		SEAL, Torque Converter Hub

PT CRUISER (PT)

SERIES LINE
H = HIGHLINE C = CHRYSLER
P = PREMIUM Z = CHRYSLER (RHD)
S = SPORT
X = SPECIAL

BODY
27 = 2-DR CONVERTIBLE
44 = HATCHBACK/QUAD
CAB CHASSIS LWB

ENGINE
EDJ = 2.2L 4 Cyl Turbo Diesel Engine
EDT = 2.4L 4 Cyl DOHC 16V Turbo Engine
EDV = 2.4L 4 Cyl DOHC 16V HO Turbo Engine
EDZ = 2.4L 4 Cyl DOHC 16V SMPI Engine
EJD = 1.6L 4 Cyl SOHC 16V SMPI

TRANSMISSION
DGL = 4-Speed Automatic Transmission
DD5 = 5-Speed Manual Transmission
DDD = 5-Speed HD Manual Transmission

AR = use ase required - = Non illustrated part

2006 PT

**Camshaft and Valves [EDZ]
Figure 2.4L-510**

ITEM	PART NUMBER	QTY	LINE	SERIES	BODY	ENGINE	TRANS	TRIM	DESCRIPTION
------	-------------	-----	------	--------	------	--------	-------	------	-------------

NOTE:
Sales Code
[EDZ]=2.4L DOHC Engine.

1	04781681AB	1				EDZ			CAMSHAFT, Intake
2	04781679AB	1				EDZ			CAMSHAFT, Exhaust
3	04884690AA	8				EDZ			VALVE, Exhaust, Standard
4	04884691AA	8				EDT, EDV, EDZ			VALVE, Intake, Standard
5	04777086	2				EDZ			SEAL, Camshaft
6	04884880AA	1				EDT, EDV, EDZ			PLUG, Camshaft
7	04777050AC	32				EDT, EDV, EDZ			LOCK, Valve Spring Retainer
8	04648682AB	16				EDT, EDV, EDZ			RETAINER, Valve Spring
9	04648907AA	16				EDT, EDV, EDZ			SPRING, Valve
10	04648619	16				EDT, EDV, EDZ			SEAL, Valve Guide
11	04667411	AR				EDZ			GUIDE, Intake/Exhaust Valve, 7mm Oversize
12	04884042AA	16				EDT, EDV, EDZ			ROCKER ARM, Valve Roller
13	04777976AA	16				EDT, EDV, EDZ			ADJUSTER, Valve Lash
14	06100997	1				EDZ			PIN, Dowel
15	05293199AA	1				EDT, EDV, EDZ			CAM MAGNET, Target
16	04884111AA	1				EDT, EDV, EDZ			SEAL, Camshaft Sensor
17	06503688	1				EDT, EDV, EDZ			BOLT, Hex Flange Head, M6x1.00x40

PT CRUISER (PT)

SERIES LINE
H = HIGHLINE C = CHRYSLER
P = PREMIUM Z = CHRYSLER (RHD)
S = SPORT
X = SPECIAL

BODY
27 = 2-DR CONVERTIBLE
44 = HATCHBACK/QUAD
CAB CHASSIS LWB

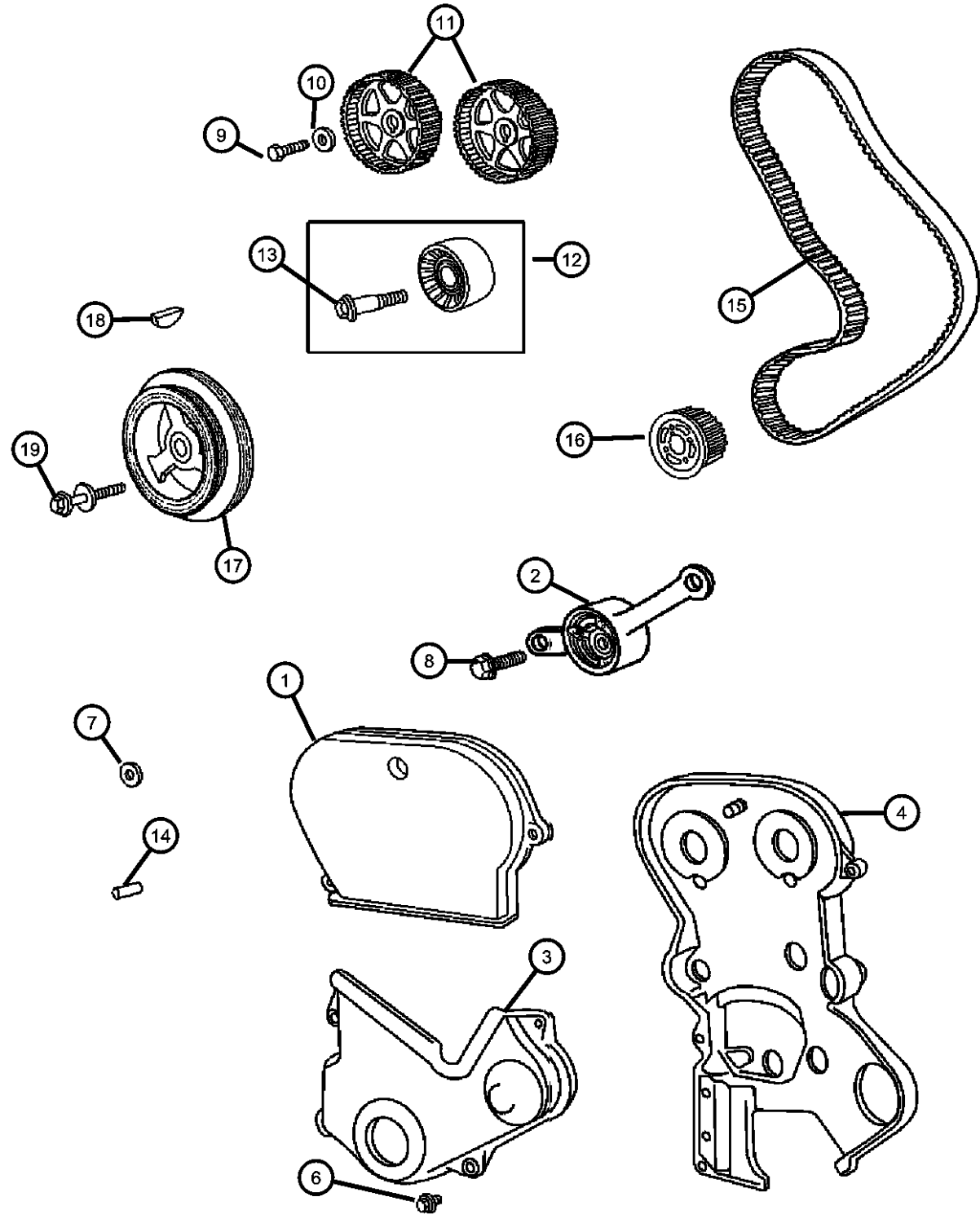
ENGINE
EDJ = 2.2L 4 Cyl Turbo Diesel Engine
EDT = 2.4L 4 Cyl DOHC 16V Turbo Engine
EDV = 2.4L 4 Cyl DOHC 16V HO Turbo Engine
EDZ = 2.4L 4 Cyl DOHC 16V SMPI Engine
EJD = 1.6L 4 Cyl SOHC 16V SMPI

TRANSMISSION
DGL = 4-Speed Automatic Transmission
DD5 = 5-Speed Manual Transmission
DDD = 5-Speed HD Manual Transmission

AR = use ase required - = Non illustrated part

2006 PT

**Timing Belt and Cover [EDZ]
Figure 2.4L-610**



NOTE: Check Parts Notes for Crankshaft Gear and Damper Sales Code
[EDZ] = 2.4L 4 Cylinder DOHC 16V SMPI

ITEM	PART NUMBER	QTY	LINE	SERIES	BODY	ENGINE	TRANS	TRIM	DESCRIPTION
1	04884409AA	1				EDT, EDV, EDZ			COVER, Timing Belt
2	04781570AB	1				EDT, EDV, EDZ			TENSIONER, Belt
3	04884410AA	1				EDT, EDV, EDZ			COVER, Timing Belt
4	04781593AA	1				EDT, EDV, EDZ			COVER, Timing Belt
-5	06101952	7				EDT, EDV, EDZ			SCREW, Hex Flange Head Tapping, M4.8 x 1.59 x 25.00, Outer Cover to Block
6	06502926	4				EDT, EDV, EDZ			BOLT, Hex Flange Head, M6x1.0x20, Inner Cover to Block
7	04667554	1				EDT, EDV, EDZ			PLUG, Timing Belt Cover
8	06506019AA	1				EDT, EDV, EDZ			BOLT AND WASHER, Hex Head, M10x1.5x30
9	06501405	2				EDT, EDV, EDZ			BOLT, Hex Head, M12x1.50x52
10	06503438	2				EDT, EDV, EDZ			WASHER, Flared, 13x35.00x4.70
11	04667609	2				EDT, EDV, EDZ			GEAR, Camshaft
12	04781569AB	1				EDT, EDV, EDZ			PULLEY, Idler
13	06507550AA	1				EDT, EDV, EDZ			BOLT
14	06100997	1				EDZ			PIN, Dowel
15	04621844	1				EDT, EDV, EDZ			BELT, Timing
	TB000265								Mopar V-Line Alternative Part
16	04648939AA	1				EDT, EDV, EDZ			GEAR, CrankshaftTiming Belt
17	04777618AF	1				EDT, EDV, EDZ			DAMPER, Crankshaft
18	06035473	1				EDT, EDV, EDZ			KEY, Crankshaft Sprocket
19	06503553	1				EDT, EDV, EDZ			BOLT, Hex Flange Head, M12x1.75x87.50

PT CRUISER (PT)

SERIES LINE
H = HIGHLINE C = CHRYSLER
P = PREMIUM Z = CHRYSLER (RHD)
S = SPORT
X = SPECIAL

BODY
27 = 2-DR CONVERTIBLE
44 = HATCHBACK/QUAD
CAB CHASSIS LWB

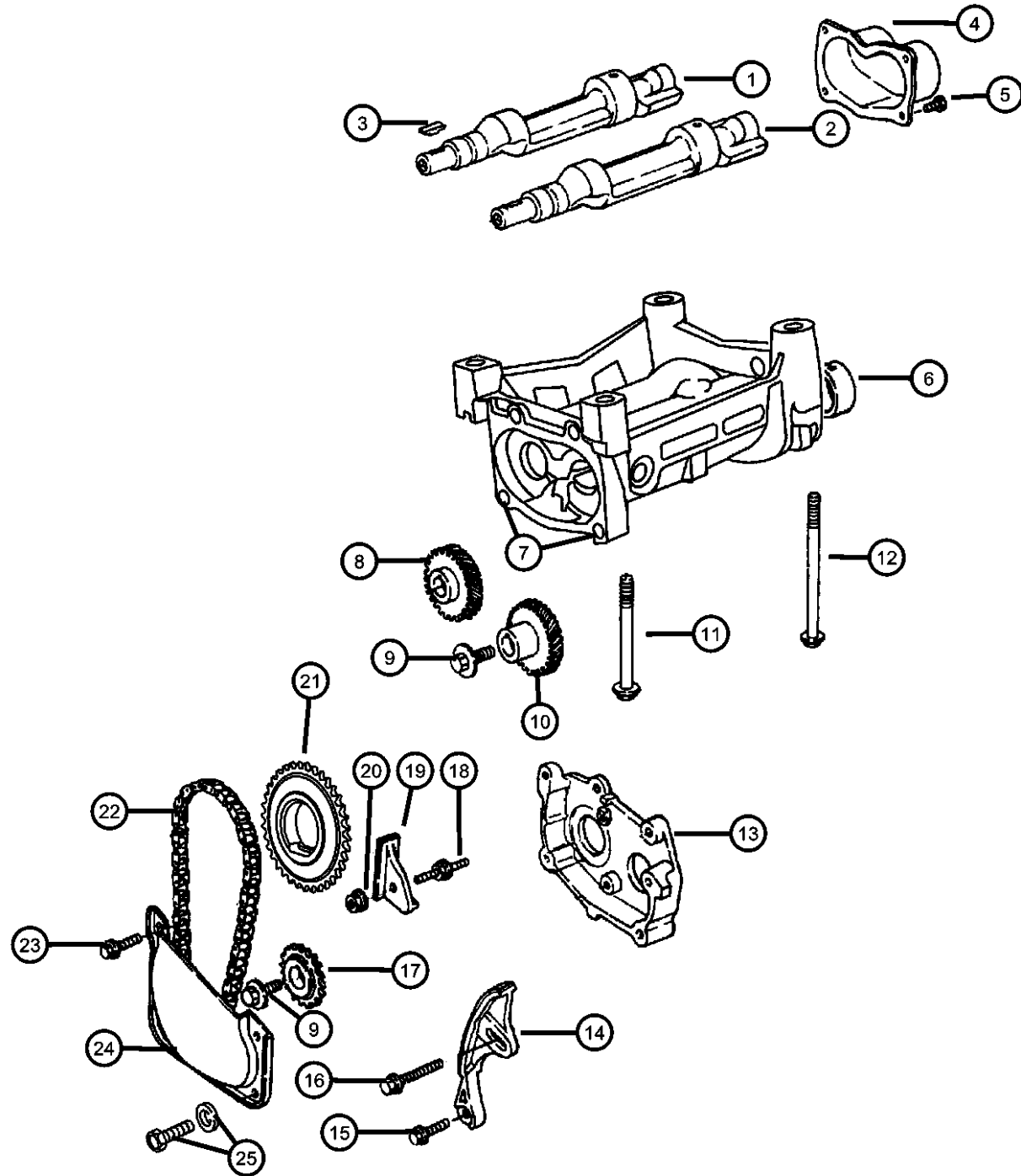
ENGINE
EDJ = 2.2L 4 Cyl Turbo Diesel Engine
EDT = 2.4L 4 Cyl DOHC 16V Turbo Engine
EDV = 2.4L 4 Cyl DOHC 16V HO Turbo Engine
EDZ = 2.4L 4 Cyl DOHC 16V SMPI Engine
EJD = 1.6L 4 Cyl SOHC 16V SMPI

TRANSMISSION
DGL = 4-Speed Automatic Transmission
DD5 = 5-Speed Manual Transmission
DDD = 5-Speed HD Manual Transmission

AR = use ase required - = Non illustrated part

2006 PT

**Balance Shafts [EDZ]
Figure 2.4L-620**



ITEM	PART NUMBER	QTY	LINE	SERIES	BODY	ENGINE	TRANS	TRIM	DESCRIPTION
NOTE: Sales Code [EDZ] = 2.4L 4 Cylinder DOHC 16V									
1	04621517	1				EDZ			SHAFT, Balance
2	04621518	1				EDZ			SHAFT, Balance
3	06035473	1				EDT, EDV, EDZ			KEY, Crankshaft Sprocket
4	04323043	1				EDT, EDV, EDZ			COVER, Balance Shaft Carrier
5	06501714	2							SCREW AND WASHER, Hex Head, M6x1x18
6	04621519AE	1				EDT, EDV, EDZ			CARRIER, Balance Shaft
7	04448856	2				EDT, EDV, EDZ			DOWEL, Block To Cylinder Head
8	04621952	1				EDT, EDV, EDZ			GEAR, Balance Shaft Driver
9	06501404	2				EDT, EDV, EDZ			SCREW AND WASHER, Hex Head, M8x1.25x25
10	04621951	1				EDT, EDV, EDZ			GEAR, Balance Shaft Driven
11	06503389	2				EDT, EDV, EDZ			BOLT, Hex Flange Head, M10x1.50x108
12	06504878AA	2				EDT, EDV, EDZ			BOLT
13	04323039	1				EDT, EDV, EDZ			COVER, Balance Shaft Gear
14	04884473AA	1				EDZ			TENSIONER, Chain
15	06100271	2				EDT, EDV, EDZ			BOLT AND CONED WASHER, Hex Head, M6x45x12.5
16	06100279	1				EDT, EDV, EDZ			SCREW AND WASHER, Hex Head, M6x1x35
17	04483485	1				EDT, EDV, EDZ			GEAR, Balance Shaft
18	06505188AA	1				EDT, EDV, EDZ			STUD, M6x1.00x40.00
19	04884472AA	1				EDZ			GUIDE, Balance Shaft Chain
20	06100047	1				EDT, EDV, EDZ			NUT AND WASHER, Hex Nut-Coned Washer, M6 x 1.00
21	04621541	1				EDT, EDV, EDZ			GEAR, Crankshaft
22	04621996	1				EDZ			CHAIN, Balance Shaft

PT CRUISER (PT)

SERIES LINE
H = HIGHLINE C = CHRYSLER
P = PREMIUM Z = CHRYSLER (RHD)
S = SPORT
X = SPECIAL

BODY
27 = 2-DR CONVERTIBLE
44 = HATCHBACK/QUAD
CAB CHASSIS LWB

ENGINE
EDJ = 2.2L 4 Cyl Turbo Diesel Engine
EDT = 2.4L 4 Cyl DOHC 16V Turbo Engine
EDV = 2.4L 4 Cyl DOHC 16V HO Turbo Engine
EDZ = 2.4L 4 Cyl DOHC 16V SMPI Engine
EJD = 1.6L 4 Cyl SOHC 16V SMPI

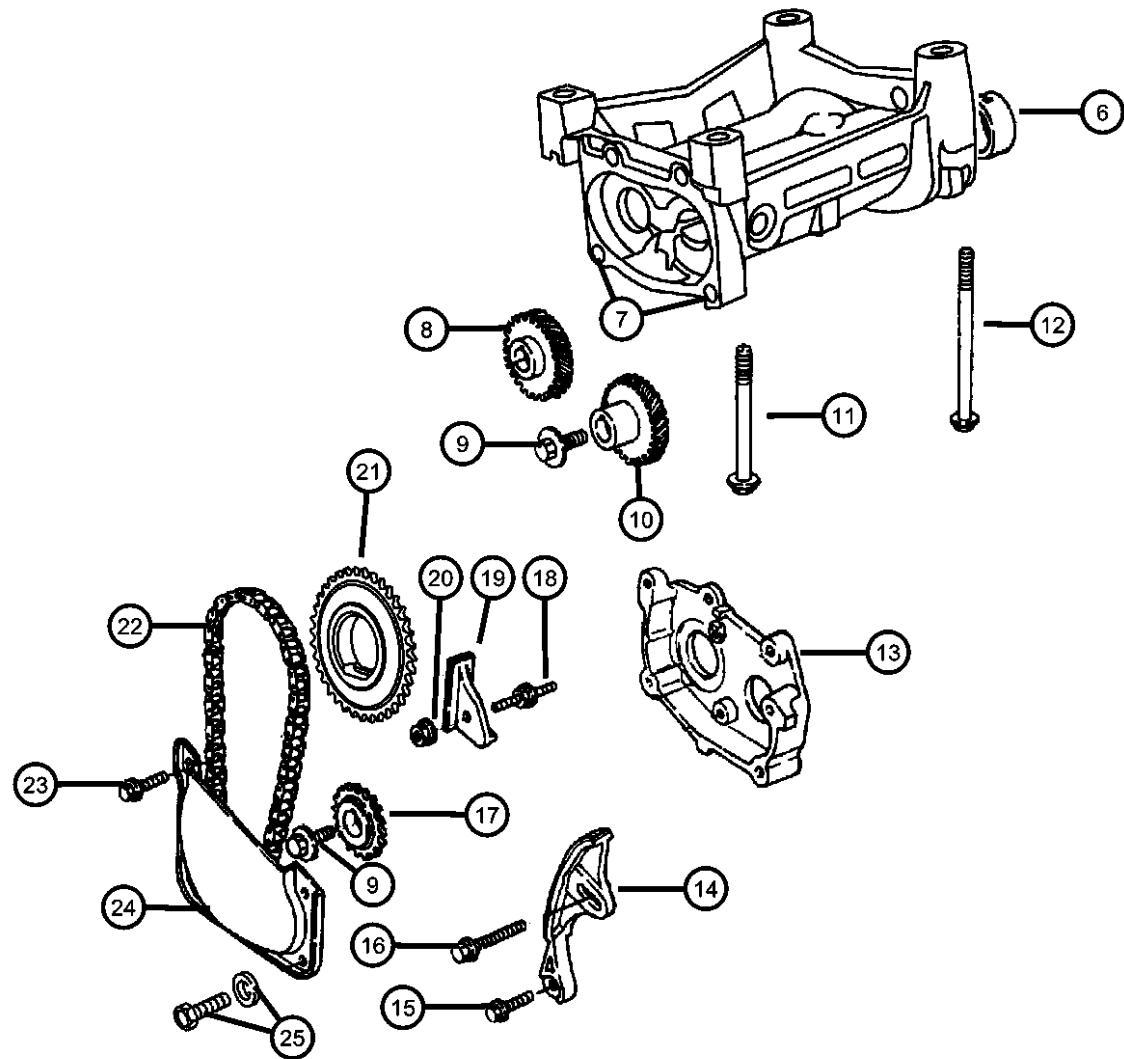
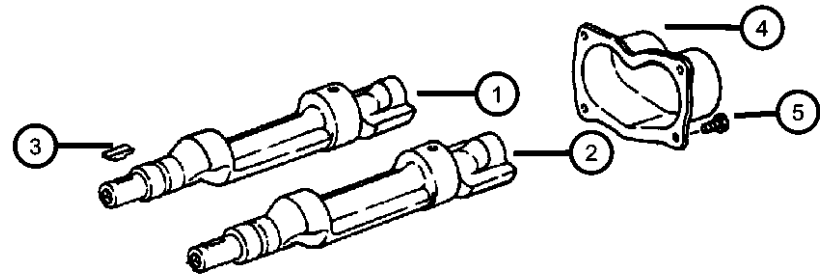
TRANSMISSION
DGL = 4-Speed Automatic Transmission
DD5 = 5-Speed Manual Transmission
DDD = 5-Speed HD Manual Transmission

AR = use ase required - = Non illustrated part

2006 PT

**Balance Shafts [EDZ]
Figure 2.4L-620**

ITEM	PART NUMBER	QTY	LINE	SERIES	BODY	ENGINE	TRANS	TRIM	DESCRIPTION
23	06503389	2				EDT, EDV, EDZ			BOLT, Hex Flange Head, M10x1.50x108
24	04323041AD	1				EDT, EDV, EDZ			TROUGH, Carrier Cover
25	06100047	1				EDT, EDV, EDZ			NUT AND WASHER, Hex Nut-Coned Washer, M6 x 1.00



PT CRUISER (PT)

SERIES LINE
H = HIGHLINE C = CHRYSLER
P = PREMIUM Z = CHRYSLER (RHD)
S = SPORT
X = SPECIAL

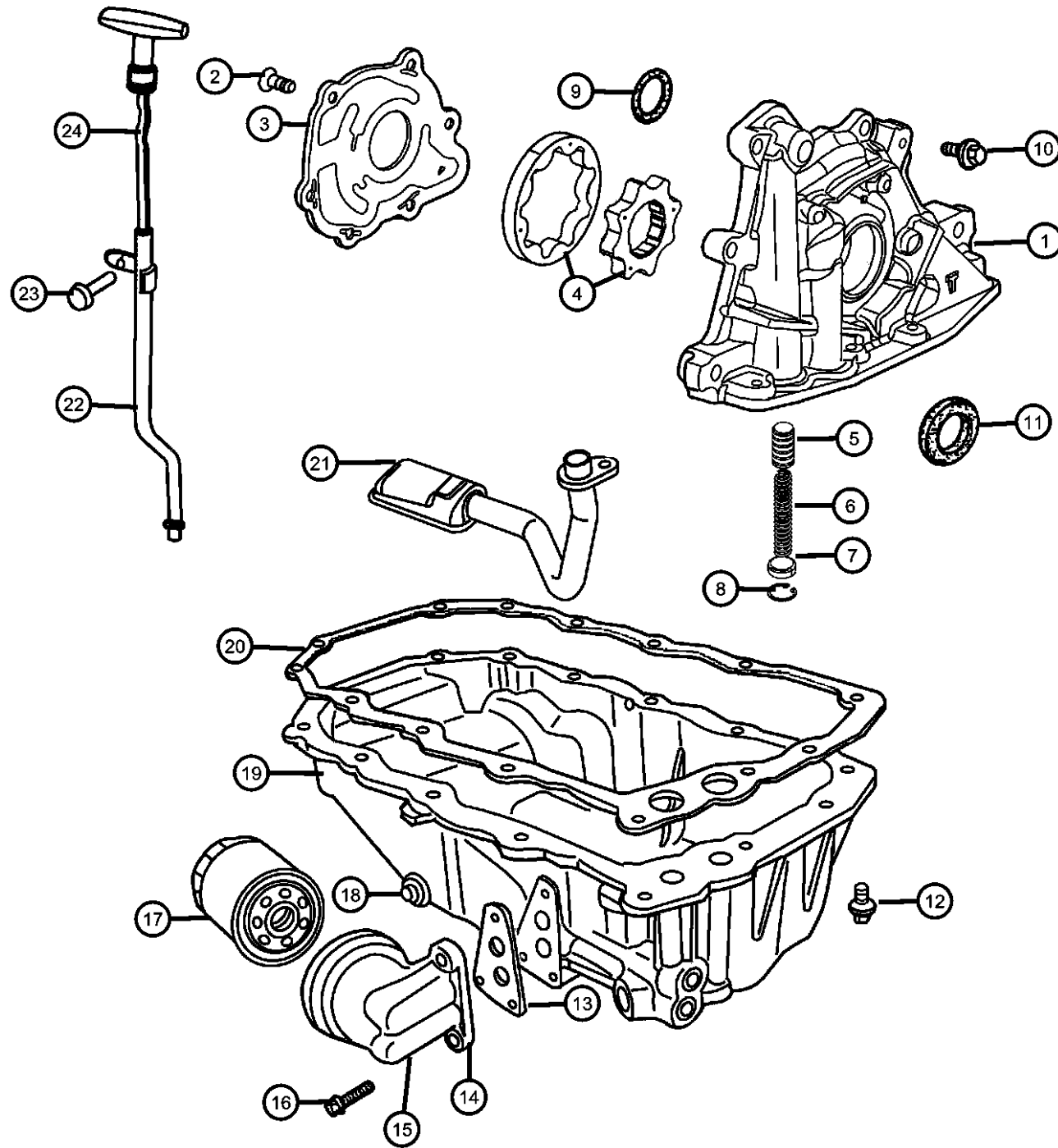
BODY
27 = 2-DR CONVERTIBLE
44 = HATCHBACK/QUAD
CAB CHASSIS LWB

ENGINE
EDJ = 2.2L 4 Cyl Turbo Diesel Engine
EDT = 2.4L 4 Cyl DOHC 16V Turbo Engine
EDV = 2.4L 4 Cyl DOHC 16V HO Turbo Engine
EDZ = 2.4L 4 Cyl DOHC 16V SMPI Engine
EJD = 1.6L 4 Cyl SOHC 16V SMPI

TRANSMISSION
DGL = 4-Speed Automatic Transmission
DD5 = 5-Speed Manual Transmission
DDD = 5-Speed HD Manual Transmission

AR = use ase required - = Non illustrated part

**Engine Oiling [EDZ]
Figure 2.4L-710**



ITEM	PART NUMBER	QTY	LINE	SERIES	BODY	ENGINE	TRANS	TRIM	DESCRIPTION
NOTE: Sales Code [EDZ] = 2.4L 4 Cylinder DOHC 16V SMPI Engine.									
1	04884390AB	1				EDT, EDV, EDZ			PUMP, Engine Oil
2	04884390AB	1							BOLT, Hex Head, Serviced in Pump Assembly, (NOT SERVICED)
3	04884390AB	1							COVER, Oil Pump Back, Serviced in Pump Assembly, (NOT SERVICED)
4	04884390AB	1							ROTOR SET, Oil Pump, Serviced In Pump Assembly, (NOT SERVICED)
5	04884390AB	1							PLUNGER, Oil Pressure Relief Valve, Serviced in Pump Assembly, (NOT SERVICED)
6	04884390AB	1							SPRING, Oil Pressure Relief Valve, Serviced in Pump Assembly, (NOT SERVICED)
7	04884390AB	1							PLUG, Serviced in Pump Assembly, (NOT SERVICED)
8	04884390AB	1							CLIP, Serviced in Pump Assembly, (NOT SERVICED)
9	04483444AB	1				EDT, EDV, EDZ			O RING, Front Cover Oil Inlet
10	06100296	3				EDT, EDV, EDZ			BOLT, Hex Head
11	04667198	1				EDT, EDV, EDZ			SEAL, Front Main Crankshaft
12	06101451	14				EDT, EDV, EDZ			SCREW AND WASHER, Hex Head, M6x1x25
13	04884000AA	1				EDT, EDV, EDZ			GASKET, Oil Filter Adapter
14	04777998AC	1				EDT, EDV, EDZ			ADAPTER, Oil Filter
15	04104511AB	1				EDT, EDV, EDZ			CONNECTOR, Oil Filter Adapter, Also serviced with Adapter
16	06102041AA	3				EDT, EDV, EDZ			SCREW
17	04105409	1				EDZ			FILTER, Engine Oil
18	06507741AA	1				EDT, EDV, EDZ			PLUG, Oil Drain
19	04884385AE	1				EDT, EDV, EDZ			PAN, Engine Oil

PT CRUISER (PT)

SERIES LINE
H = HIGHLINE C = CHRYSLER
P = PREMIUM Z = CHRYSLER (RHD)
S = SPORT
X = SPECIAL

BODY
27 = 2-DR CONVERTIBLE
44 = HATCHBACK/QUAD
CAB CHASSIS LWB

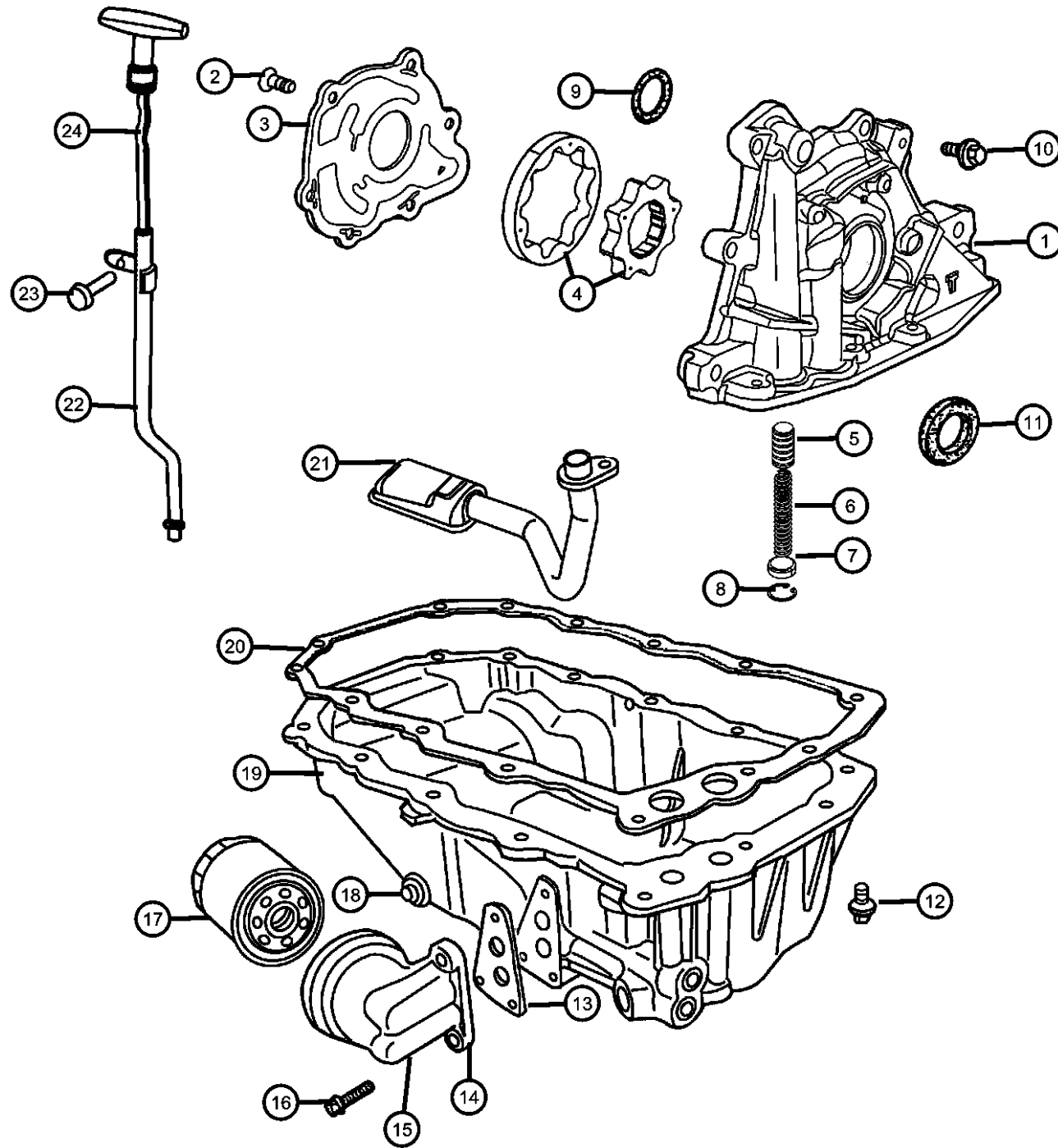
ENGINE
EDJ = 2.2L 4 Cyl Turbo Diesel Engine
EDT = 2.4L 4 Cyl DOHC 16V Turbo Engine
EDV = 2.4L 4 Cyl DOHC 16V HO Turbo Engine
EDZ = 2.4L 4 Cyl DOHC 16V SMPI Engine
EJD = 1.6L 4 Cyl SOHC 16V SMPI

TRANSMISSION
DGL = 4-Speed Automatic Transmission
DD5 = 5-Speed Manual Transmission
DDD = 5-Speed HD Manual Transmission

AR = use ase required - = Non illustrated part

2006 PT

**Engine Oiling [EDZ]
Figure 2.4L-710**



ITEM	PART NUMBER	QTY	LINE	SERIES	BODY	ENGINE	TRANS	TRIM	DESCRIPTION
20	04777994AE	1				EDT, EDV, EDZ			GASKET, Oil Pan
21	04792304AC	1				EDT, EDV, EDZ			TUBE, Oil Pickup
22	04777964AB	1				EDZ			TUBE, Engine Oil Indicator
23	06102152AA	1				EDZ			SCREW, Tapping Hex Flange Head, M6.3x1.81x20.00
24	04777965AA	1				EDZ			INDICATOR, Engine Oil Level

PT CRUISER (PT)

SERIES LINE
H = HIGHLINE C = CHRYSLER
P = PREMIUM Z = CHRYSLER (RHD)
S = SPORT
X = SPECIAL

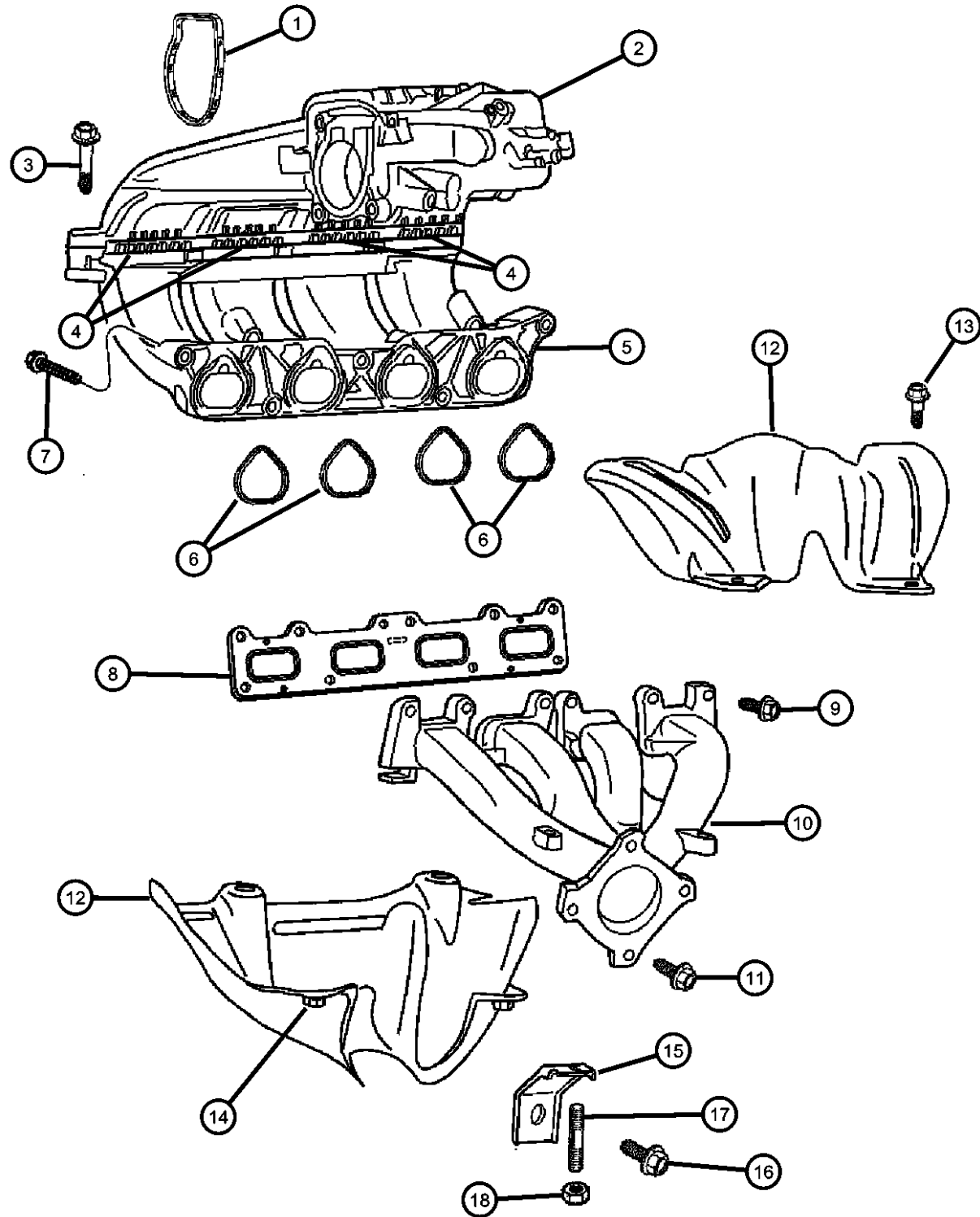
BODY
27 = 2-DR CONVERTIBLE
44 = HATCHBACK/QUAD
CAB CHASSIS LWB

ENGINE TRANSMISSION
EDJ = 2.2L 4 Cyl Turbo Diesel Engine
EDT = 2.4L 4 Cyl DOHC 16V Turbo Engine
EDV = 2.4L 4 Cyl DOHC 16V HO Turbo Engine
EDZ = 2.4L 4 Cyl DOHC 16V SMPI Engine
EJD = 1.6L 4 Cyl SOHC 16V SMPI
DGL = 4-Speed Automatic Transmission
DD5 = 5-Speed Manual Transmission
DDD = 5-Speed HD Manual Transmission

AR = use ase required - = Non illustrated part

2006 PT

**Manifolds, Intake and Exhaust [EDZ]
Figure 2.4L-810**



ITEM	PART NUMBER	QTY	LINE	SERIES	BODY	ENGINE	TRANS	TRIM	DESCRIPTION
------	-------------	-----	------	--------	------	--------	-------	------	-------------

NOTES:
Sales Code
[EDZ] = 2.4L 4 Cylinder DOHC 16V SMPI

1	04884650AA	1				EDZ			GASKET, Throttle Body
2	04884557AB	1				EDZ			MANIFOLD, Intake, Upper
3	06505557AA	5				EDZ			SCREW, Upper To Lower
4	04884649AA	4				EDZ			GASKET, Intake Manifold Upper To Lower
5	04884520AB	1	C, Z			EDZ			MANIFOLD, Intake, Lower
6	04884648AA	4				EDZ			GASKET, Intake Manifold Cylinder Head To Intake Manifold
7	06506770AA	5				EDZ			SCREW, [M8x1.25x43.0], Intake Manifold To Cylinder Head
8	04781255AA	1				EDZ			GASKET, Exhaust Manifold
9	06503131	10				EDZ			BOLT, Hex Flange Head, M8x1.25x30 Exhaust Manifold To Cylinder Head
10	04884460AA	1				EDZ			MANIFOLD, Exhaust
11	06503767	4				EDZ			BOLT, Hex Head, M8x1.25x35 Exhaust Pipe To Manifold
12									SHIELD, Exhaust Manifold
	04777951AA	1				EDZ			Lower
	04777952AB	1				EDZ			Upper
13	06506536AA	4				EDZ			BOLT, [M6x1.0x42.0], Heat Shield Attaching
14	06504516	2				EDZ			NUT AND WASHER, M6x1.00
15	04884110AA	1				EDZ			STRUT, Exhaust Manifold
16	06500399	1				EDZ			BOLT, Hex Head, M10x1.5x20
17	06506423AA	1				EDZ			STUD, [M8x1.25x49.9]
18	06504175	1				EDZ, EJD			NUT AND WASHER, Hex, M8x1.25

PT CRUISER (PT)

SERIES LINE
H = HIGHLINE C = CHRYSLER
P = PREMIUM Z = CHRYSLER (RHD)
S = SPORT
X = SPECIAL

BODY
27 = 2-DR CONVERTIBLE
44 = HATCHBACK/QUAD
CAB CHASSIS LWB

ENGINE
EDJ = 2.2L 4 Cyl Turbo Diesel Engine
EDT = 2.4L 4 Cyl DOHC 16V Turbo Engine
EDV = 2.4L 4 Cyl DOHC 16V HO Turbo Engine
EDZ = 2.4L 4 Cyl DOHC 16V SMPI Engine
EJD = 1.6L 4 Cyl SOHC 16V SMPI

TRANSMISSION
DGL = 4-Speed Automatic Transmission
DD5 = 5-Speed Manual Transmission
DDD = 5-Speed HD Manual Transmission

AR = use ase required - = Non illustrated part

2006 PT

**Crankcase Ventilation [EDZ]
Figure 2.4L-910**

ITEM	PART NUMBER	QTY	LINE	SERIES	BODY	ENGINE	TRANS	TRIM	DESCRIPTION
------	-------------	-----	------	--------	------	--------	-------	------	-------------

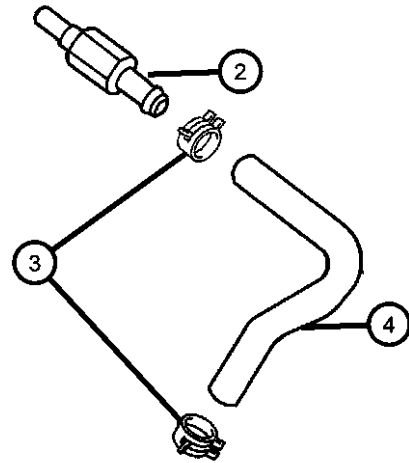
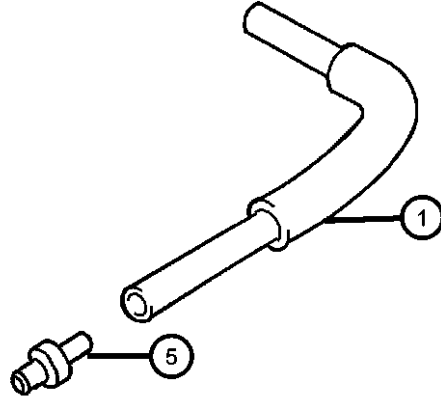
NOTES:

Sales Code

[ECC] = 2.0L 4 Cylinder DOHC 16V SMPI

[EDZ] = 2.4L 4 Cylinder DOHC 16V SMPI

1	04884749AA	1				EDZ			HOSE, Make Up Air
2	04777240AD	1				EDZ			VALVE, PCV
3	06502017	1	Z			EDZ			CLAMP, Hose, 24X15
4	04884246AA	1				EDZ			HOSE, Polution Control Valve
5	04884040AA	1				EDZ			RESTRICTOR, PCV



PT CRUISER (PT)

SERIES LINE
H = HIGHLINE C = CHRYSLER
P = PREMIUM Z = CHRYSLER (RHD)
S = SPORT
X = SPECIAL

BODY
27 = 2-DR CONVERTIBLE
44 = HATCHBACK/QUAD
CAB CHASSIS LWB

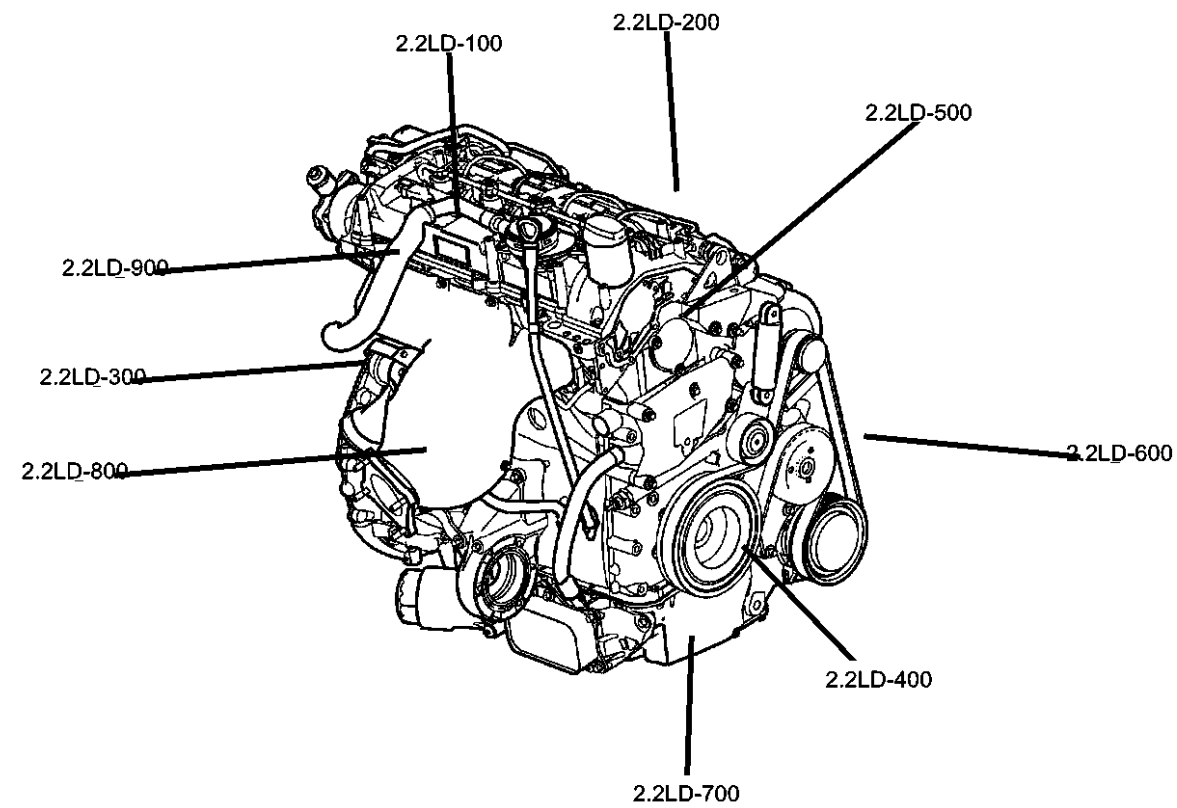
ENGINE TRANSMISSION
EDJ = 2.2L 4 Cyl Turbo Diesel Engine
EDT = 2.4L 4 Cyl DOHC 16V Turbo Engine
EDV = 2.4L 4 Cyl DOHC 16V HO Turbo Engine
EDZ = 2.4L 4 Cyl DOHC 16V SMPI Engine
EJD = 1.6L 4 Cyl SOHC 16V SMPI
DGL = 4-Speed Automatic Transmission
DD5 = 5-Speed Manual Transmission
DDD = 5-Speed HD Manual Transmission

AR = use ase required - = Non illustrated part

2006 PT

Group - 2.2LD

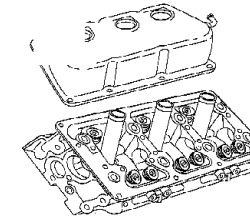
Engine 2.2L Four Cylinder (Turbo Diesel)



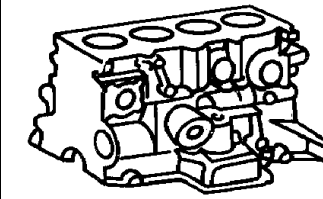
2.2LD-100 Engine Identification

X Model Year	X Manufacturing Plant	XXXXX Component Code/Usage	XXXX Month/Day	XXXXXXXX Serial Code
Last digit of model year	Sattilo S Trenton T Tokyo K	Engine 3.2L - 3.5L Usage Pass Car PC Truck T		Last 8 Digits of VIN

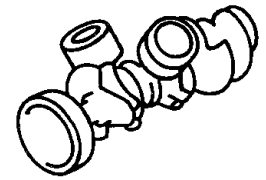
2.2LD-200 Cylinder Head



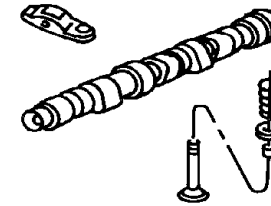
2.2LD-300 Cylinder Block



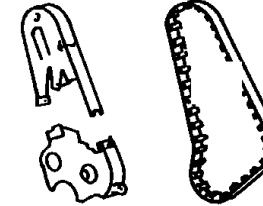
2.2LD-400 Crankshaft, Piston and Drive Plate



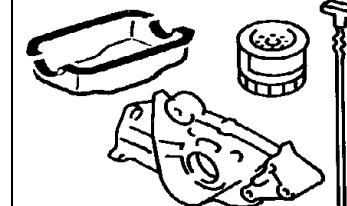
2.2LD-500 Camshafts and Valves



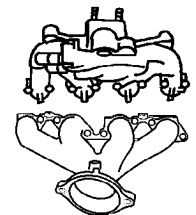
2.2LD-600 Timing Belt and Cover



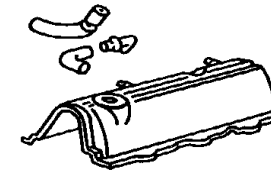
2.2LD-700 Engine Oiling



2.2LD-800 Manifolds



2.2LD-900 Crankcase Ventilation



Group - 2.2LD Engine 2.2L Four Cylinder (Turbo Diesel)

Illustration Title	Group-Fig. No.
Engine Identification	
I.D. Location [EDJ]	Fig. 2.2LD - 110
Cylinder Head	
Cylinder Head [EDJ]	Fig. 2.2LD - 210
Cover - Cylinder Head [EDJ]	Fig. 2.2LD - 220
Cover - Engine [EDJ]	Fig. 2.2LD - 222
Cylinder Block	
Cylinder Block and Related Parts [EDJ]	Fig. 2.2LD - 310
Crankshaft, Piston and Drive Plate	
Crankshaft and Piston [EDJ]	Fig. 2.2LD - 410
Camshafts and Valves	
Camshaft and Valves [EDJ]	Fig. 2.2LD - 510
Timing Belt and Cover	
Timing Belt and Cover [EDJ]	Fig. 2.2LD - 610
Vacuum Pump [EDJ]	Fig. 2.2LD - 620
Engine Oiling	
Engine Oiling [EDJ]	Fig. 2.2LD - 710
Oil Cooler and Filter [EDJ]	Fig. 2.2LD - 720
Oil Pan [EDJ]	Fig. 2.2LD - 730
Turbo Oil Return Lines [EDJ]	Fig. 2.2LD - 740
Manifolds	
Manifold [EDJ]	Fig. 2.2LD - 810
Crankcase Ventilation	
Crankcase Ventilation [EDJ]	Fig. 2.2LD - 910

I.D. Location [EDJ]
Figure 2.2LD-110

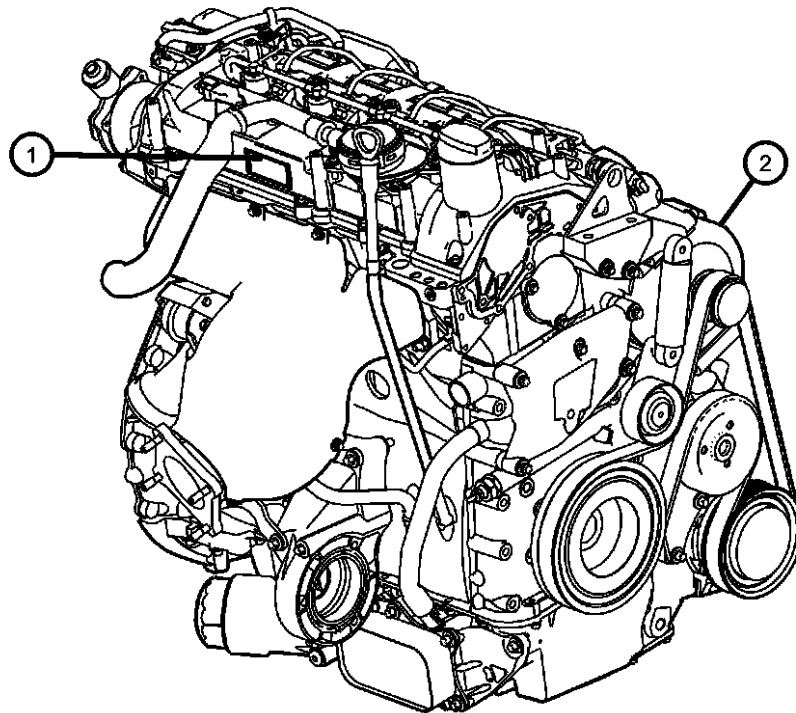
ITEM	PART NUMBER	QTY	LINE	SERIES	BODY	ENGINE	TRANS	TRIM	DESCRIPTION
------	-------------	-----	------	--------	------	--------	-------	------	-------------

Engine ID is located on the left bank at the rear of the block just below the head.

NOTE: Sales Codes

[EDJ] = 2.2L 4 Cylinder Turbo Diesel

1	04884040AA	1							LABEL, Engine Identification, (NOT SERVICED)
2	05047617AD	1				EDJ			ENGINE, Complete



PT CRUISER (PT)

SERIES LINE
H = HIGHLINE C = CHRYSLER
P = PREMIUM Z = CHRYSLER (RHD)
S = SPORT
X = SPECIAL

BODY
27 = 2-DR CONVERTIBLE
44 = HATCHBACK/QUAD
CAB CHASSIS LWB

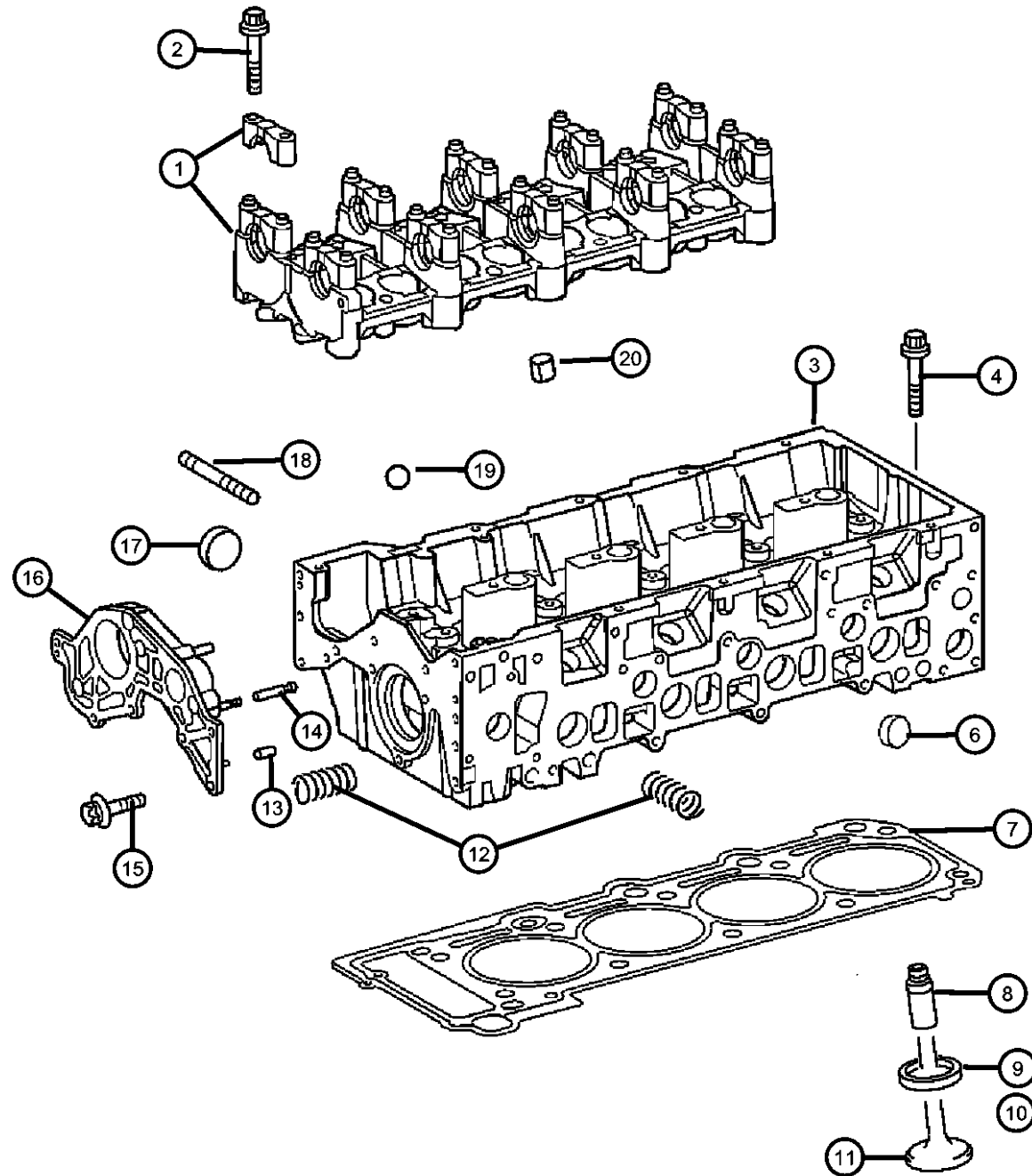
ENGINE TRANSMISSION
EDJ = 2.2L 4 Cyl Turbo Diesel Engine DGL = 4-Speed Automatic Transmission
EDT = 2.4L 4 Cyl DOHC 16V Turbo Engine DD5 = 5-Speed Manual Transmission
EDV = 2.4L 4 Cyl DOHC 16V HO Turbo Engine DDD = 5-Speed HD Manual Transmission
EDZ = 2.4L 4 Cyl DOHC 16V SMPI Engine
EJD = 1.6L 4 Cyl SOHC 16V SMPI

AR = use ase required - = Non illustrated part

2006 PT

**Cylinder Head [EDJ]
Figure 2.2LD-210**

ITEM	PART NUMBER	QTY	LINE	SERIES	BODY	ENGINE	TRANS	TRIM	DESCRIPTION
NOTE: Sales Code [EDJ] = 2.2L 4 Cylinder Turbo Diesel									
1	05080059AA	1				EDJ			CAP
2	05073921AA	20				EDJ			SCREW
3	05073734AB	1				EDJ			HEAD, Cylinder
4	05073703AA	10				EDJ			BOLT, Cylinder Head
-5	06104035AA	2				EDJ			SCREW
6	05080026AB	6				EDJ			PLUG, Expansion
7	05080163AC	1				EDJ			GASKET, Cylinder Head
8	05080044AB	16				EDJ			GUIDE, Intake/Exhaust Valve, Standard Size
9	05080042AA	8				EDJ			SEAT, Intake Valve
10	05080043AA	8				EDJ			SEAT, Exhaust Valve
11	05073735AA	8				EDJ			VALVE, Intake, Standard
12	05080061AA	4				EDJ			INSERT
13	05073869AA	2				EDJ			DOWEL
14	05080080AA	1				EDJ			PIN
15	05073701AA	6				EDJ			SCREW
16	05080059AA	1				EDJ			CAP
17	05080071AA	1				EDJ			PLUG, Expansion
18	05080027AA	9				EDJ			STUD
19	05080045AA	4				EDJ			BALL
20	05073868AA	2				EDJ			SLEEVE
-21	05080047AB	4				EDJ			PLUG, Glow



PT CRUISER (PT)

SERIES LINE
H = HIGHLINE C = CHRYSLER
P = PREMIUM Z = CHRYSLER (RHD)
S = SPORT
X = SPECIAL

BODY
27 = 2-DR CONVERTIBLE
44 = HATCHBACK/QUAD
CAB CHASSIS LWB

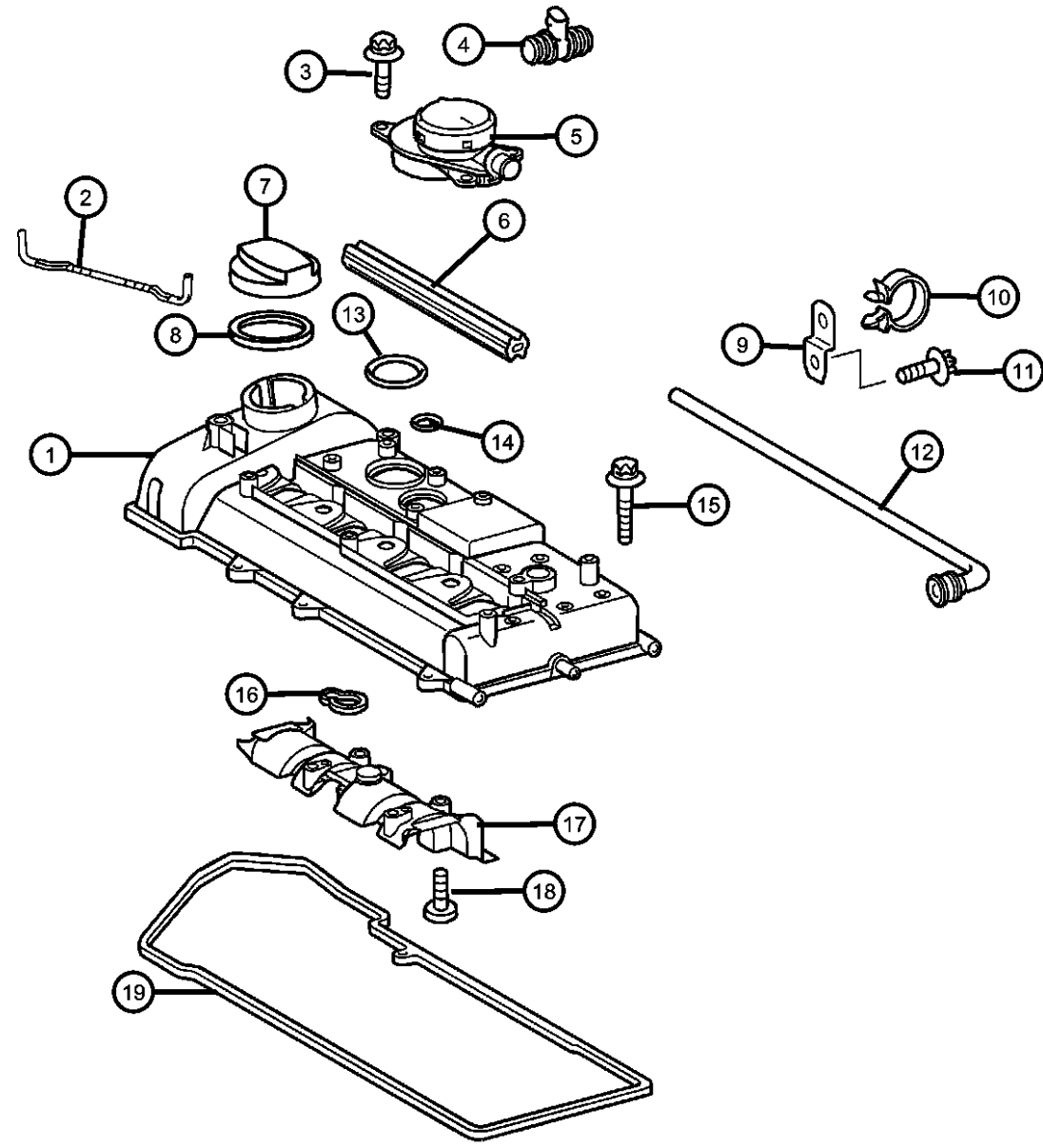
ENGINE
EDJ = 2.2L 4 Cyl Turbo Diesel Engine
EDT = 2.4L 4 Cyl DOHC 16V Turbo Engine
EDV = 2.4L 4 Cyl DOHC 16V HO Turbo Engine
EDZ = 2.4L 4 Cyl DOHC 16V SMPI Engine
EJD = 1.6L 4 Cyl SOHC 16V SMPI

TRANSMISSION
DGL = 4-Speed Automatic Transmission
DD5 = 5-Speed Manual Transmission
DDD = 5-Speed HD Manual Transmission

AR = use ase required - = Non illustrated part

2006 PT

**Cover - Cylinder Head [EDJ]
Figure 2.2LD-220**



ITEM	PART NUMBER	QTY	LINE	SERIES	BODY	ENGINE	TRANS	TRIM	DESCRIPTION
NOTE: Sales Code [EDJ] = 2.2L 4 Cylinder Turbo Diesel Engine									
1	05080166AA	1				EDJ			COVER, Cylinder Head
2	05080117AA	1				EDJ			GASKET
3	06104682AA	4				EDJ			SCREW
4	05080183AA	1				EDJ			TUBE, Crankcase Vent Valve
5	04725563AA	1				EDJ			SEPERATOR, Oil
6	05080222AA	1				EDJ			GASKET
7	05142231AA	1				EDJ			CAP, Oil Filler
8	05080088AA	1				EDJ			GASKET, Oil Filler Cap
9	05080318AA	1				EDJ			BRACKET
10	05080091AB	1				EDJ			CLAMP
11	05073824AA	2				EDJ			SCREW
12	05080159AA	1				EDJ			HOSE, 5 Meters Long
13	05080114AA	1				EDJ			O RING
14	05080112AA	1				EDJ			O RING
15	06104008AA	1				EDJ			SCREW
16	05080083AA	4				EDJ			GASKET
17	05080168AA	1				EDJ			PLATE
18	06104670AA	4				EDJ			SCREW
19	05080170AA	1				EDJ			GASKET, Rocker Cover

PT CRUISER (PT)				
SERIES	LINE	BODY	ENGINE	TRANSMISSION
H = HIGHLINE	C = CHRYSLER	27 = 2-DR CONVERTIBLE	EDJ = 2.2L 4 Cyl Turbo Diesel Engine	DGL = 4-Speed Automatic Transmission
P = PREMIUM	Z = CHRYSLER (RHD)	44 = HATCHBACK/QUAD CAB CHASSIS LWB	EDT = 2.4L 4 Cyl DOHC 16V Turbo Engine	DD5 = 5-Speed Manual Transmission
S = SPORT			EDV = 2.4L 4 Cyl DOHC 16V HO Turbo Engine	DDD = 5-Speed HD Manual Transmission
X = SPECIAL			EDZ = 2.4L 4 Cyl DOHC 16V SMPI Engine	
			EJD = 1.6L 4 Cyl SOHC 16V SMPI	

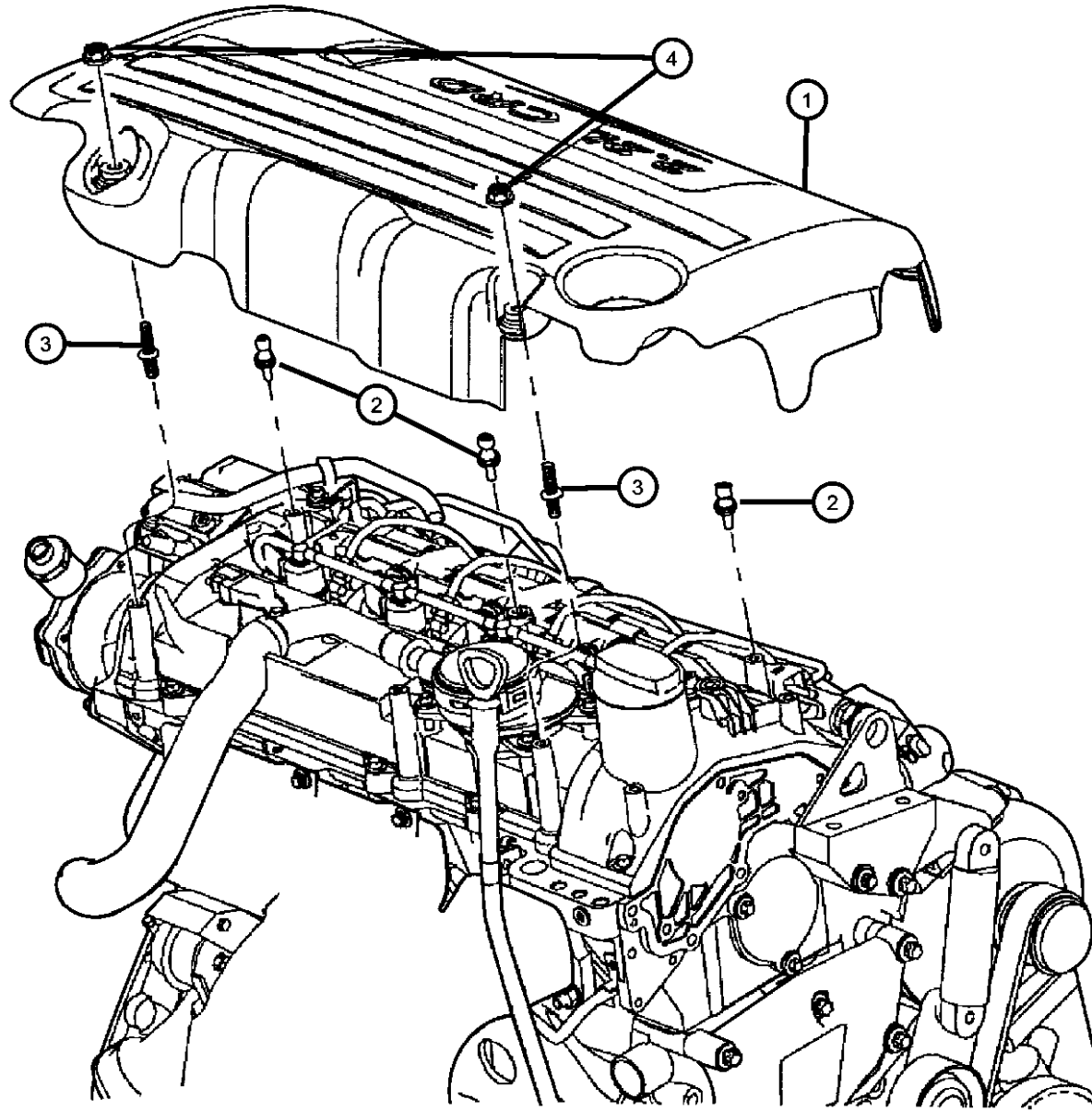
AR = use ase required - = Non illustrated part

Cover - Engine [EDJ]
Figure 2.2LD-222

ITEM	PART NUMBER	QTY	LINE	SERIES	BODY	ENGINE	TRANS	TRIM	DESCRIPTION
------	-------------	-----	------	--------	------	--------	-------	------	-------------

NOTES: Sales Code
[EDJ] = 2.2L 4 Cylinder Turbo Diesel Engine

1	04891655AA	1				EDJ			COVER, Engine
2	04891547AA	3				EDJ			BALL STUD, Engine Cover Attach
3	06506960AA	2				EDJ			STUD AND WASHER, Two End, M6 x 1.00 x 50.50
4	06504030	1				EDJ			NUT AND WASHER, Hex, M6x1



PT CRUISER (PT)

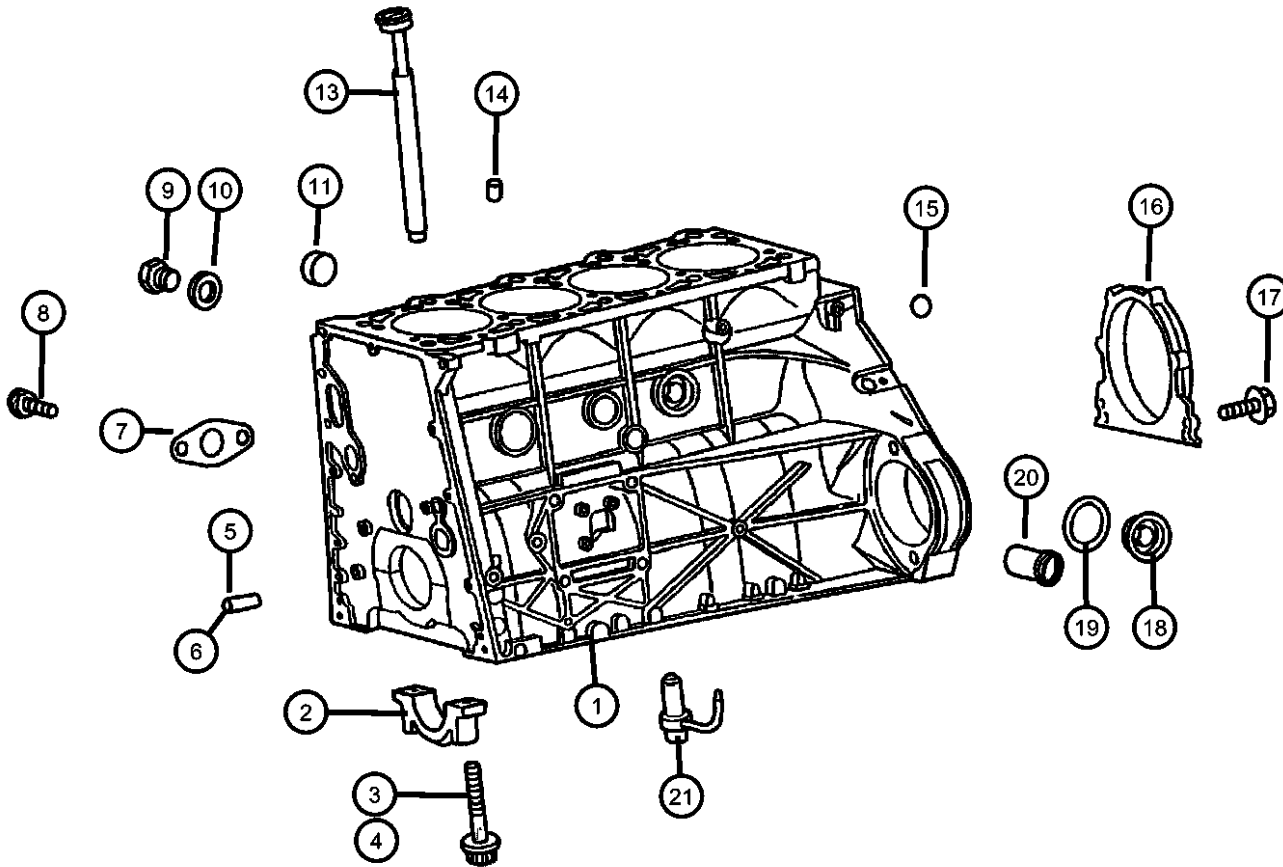
SERIES	LINE	BODY	ENGINE	TRANSMISSION
H = HIGHLINE	C = CHRYSLER	27 = 2-DR CONVERTIBLE	EDJ = 2.2L 4 Cyl Turbo Diesel Engine	DGL = 4-Speed Automatic Transmission
P = PREMIUM	Z = CHRYSLER (RHD)	44 = HATCHBACK/QUAD CAB CHASSIS LWB	EDT = 2.4L 4 Cyl DOHC 16V Turbo Engine	DD5 = 5-Speed Manual Transmission
S = SPORT			EDV = 2.4L 4 Cyl DOHC 16V HO Turbo Engine	DDD = 5-Speed HD Manual Transmission
X = SPECIAL			EDZ = 2.4L 4 Cyl DOHC 16V SMPI Engine	
			EJD = 1.6L 4 Cyl SOHC 16V SMPI	

AR = use ase required - = Non illustrated part

2006 PT

**Cylinder Block and Related Parts [EDJ]
Figure 2.2LD-310**

ITEM	PART NUMBER	QTY	LINE	SERIES	BODY	ENGINE	TRANS	TRIM	DESCRIPTION
NOTES: Sales Code									
[EDJ] = 2.2L 4 Cylinder Turbo Diesel Engine									
1	05083931AA	1				EDJ			BLOCK, Cylinder
2	05083931AA	1							CAP, Main, (NOT SERVICED)
3	05117246AA	8				EDJ			SCREWMMain Bearing Cap
4	05117247AA	2				EDJ			BOLT, HexMain Bearing Cap
5	05073869AA	2				EDJ			DOWEL
6	05073870AA	2				EDJ			DOWEL
7	05117624AA	1				EDJ			GASKET, Turbo Oil Return Pipe
8	06104076AA	2				EDJ			SCREW
9	05073890AA	1				EDJ			PLUG
10	05073866AA	1				EDJ			O RING
11									PLUG, Expansion
	05073860AA	2				EDJ			[34M]
	05073892AA	1				EDJ			
-12	05073893AA	1				EDJ			GASKET, Use With Plug 5073892AA
13	05073894AA	1				EDJ			PIPE, Oil Return
14	05073868AA	2				EDJ			SLEEVE
15	05073864AA	1				EDJ			BALL, [15M]
16	05073887AB	1				EDJ			SEAL, Crankshaft Oil, Rear
17	06104006AA	6				EDJ			BOLT
18	05073837AA	2				EDJ			PLUG, Screw, Cylinder Block
19	05073850AA	2				EDJ			O RING
20	05073861AA	1				EDJ			CONNECTOR
21	05073895AA	4				EDJ			JET, Piston Oil Cooler
-22	05102445AA	1				EDJ			CAP, Cover
-23	05073865AB	1				EDJ			PLUG



PT CRUISER (PT)

SERIES LINE
H = HIGHLINE C = CHRYSLER
P = PREMIUM Z = CHRYSLER (RHD)
S = SPORT
X = SPECIAL

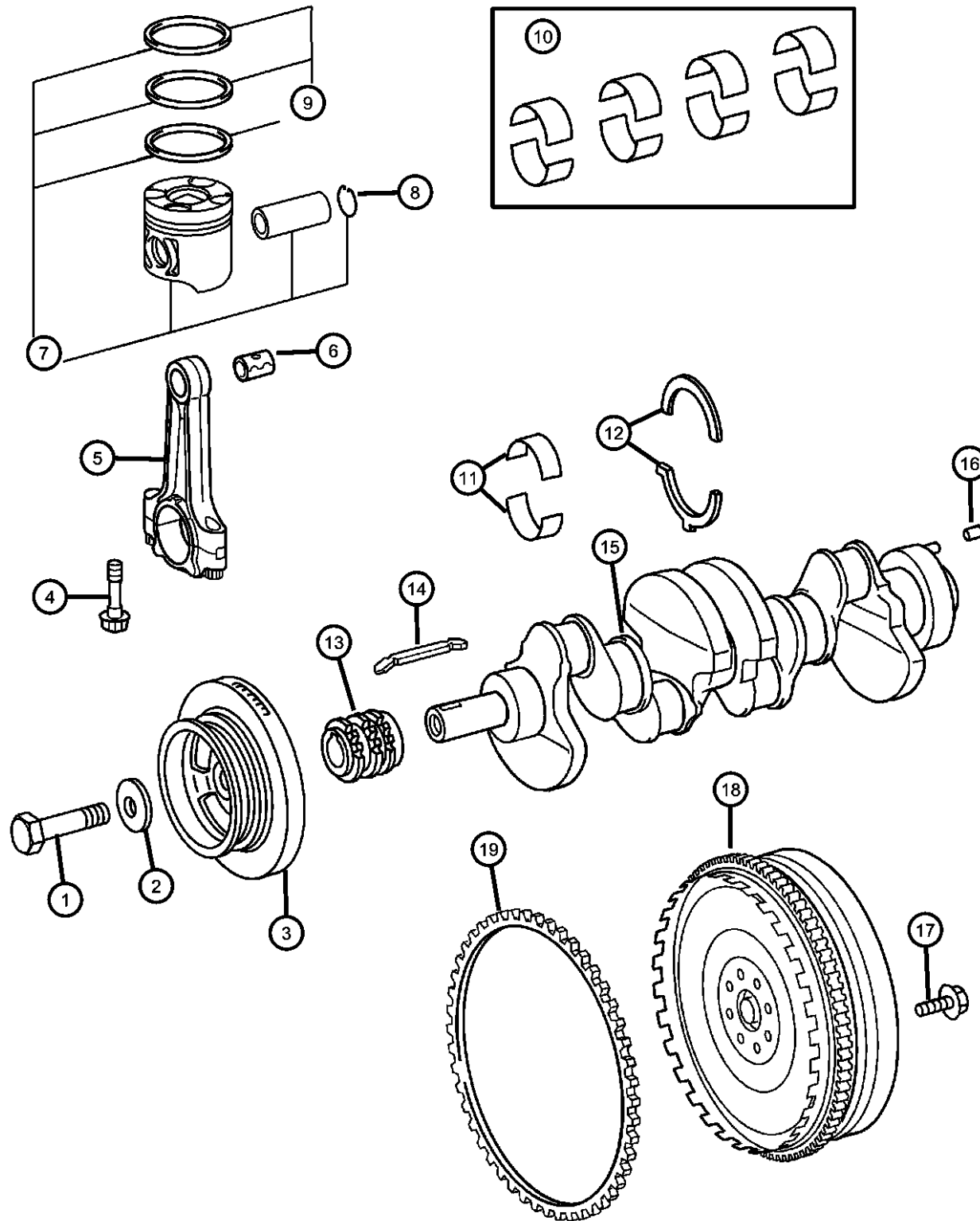
BODY
27 = 2-DR CONVERTIBLE
44 = HATCHBACK/QUAD
CAB CHASSIS LWB

ENGINE TRANSMISSION
EDJ = 2.2L 4 Cyl Turbo Diesel Engine
EDT = 2.4L 4 Cyl DOHC 16V Turbo Engine
EDV = 2.4L 4 Cyl DOHC 16V HO Turbo Engine
EDZ = 2.4L 4 Cyl DOHC 16V SMPI Engine
EJD = 1.6L 4 Cyl SOHC 16V SMPI
DGL = 4-Speed Automatic Transmission
DD5 = 5-Speed Manual Transmission
DDD = 5-Speed HD Manual Transmission

AR = use ase required - = Non illustrated part

2006 PT

**Crankshaft and Piston [EDJ]
Figure 2.2LD-410**



ITEM	PART NUMBER	QTY	LINE	SERIES	BODY	ENGINE	TRANS	TRIM	DESCRIPTION
NOTES: Sale Code [EDJ] = 2.2L 4 Cylinder Turbo Diesel Engine									
1	05073696AA	1				EDJ			SCREW
2	05080005AA	1				EDJ			WASHER
3	05073999AA	1				EDJ			DAMPER, Engine Roll
4	05073698AA	8				EDJ			BOLT, Connecting Rod
5	05117318AA	4				EDJ			ROD, Connecting
6	05080020AA	4				EDJ			BUSHING, Connecting Rod
7	05139488AA	4				EDJ			PISTON
8	05080034AA	8				EDJ			RING, Piston Pin
9	05086254AA	4				EDJ			RING KIT, Piston
10	05102066AA	4				EDJ			BEARING, Connecting Rod, STD.
11									BEARING, Crankshaft
	05102127AA	AR				EDJ			Blue
	05102128AA	AR				EDJ			Yellow
	05102129AA	5				EDJ			Red
12	05086295AA	2				EDJ			BEARING, CrankshaftThrust
13	05117378AA	1				EDJ			GEAR, Crankshaft
14	05073998AA	1				EDJ			KEY, Woodruff
15	05073949AA	1				EDJ			CRANKSHAFT
16	05080024AA	1				EDJ			DOWEL
17	05073700AB	8				EDJ			SCREW
18	05073609AA	1				EDJ			FLYWHEEL
19	05086291AA	1				EDJ			GEAR
-20	05073995AB	1				EDJ			SHAFT, Balance

PT CRUISER (PT)

SERIES LINE
H = HIGHLINE C = CHRYSLER
P = PREMIUM Z = CHRYSLER (RHD)
S = SPORT
X = SPECIAL

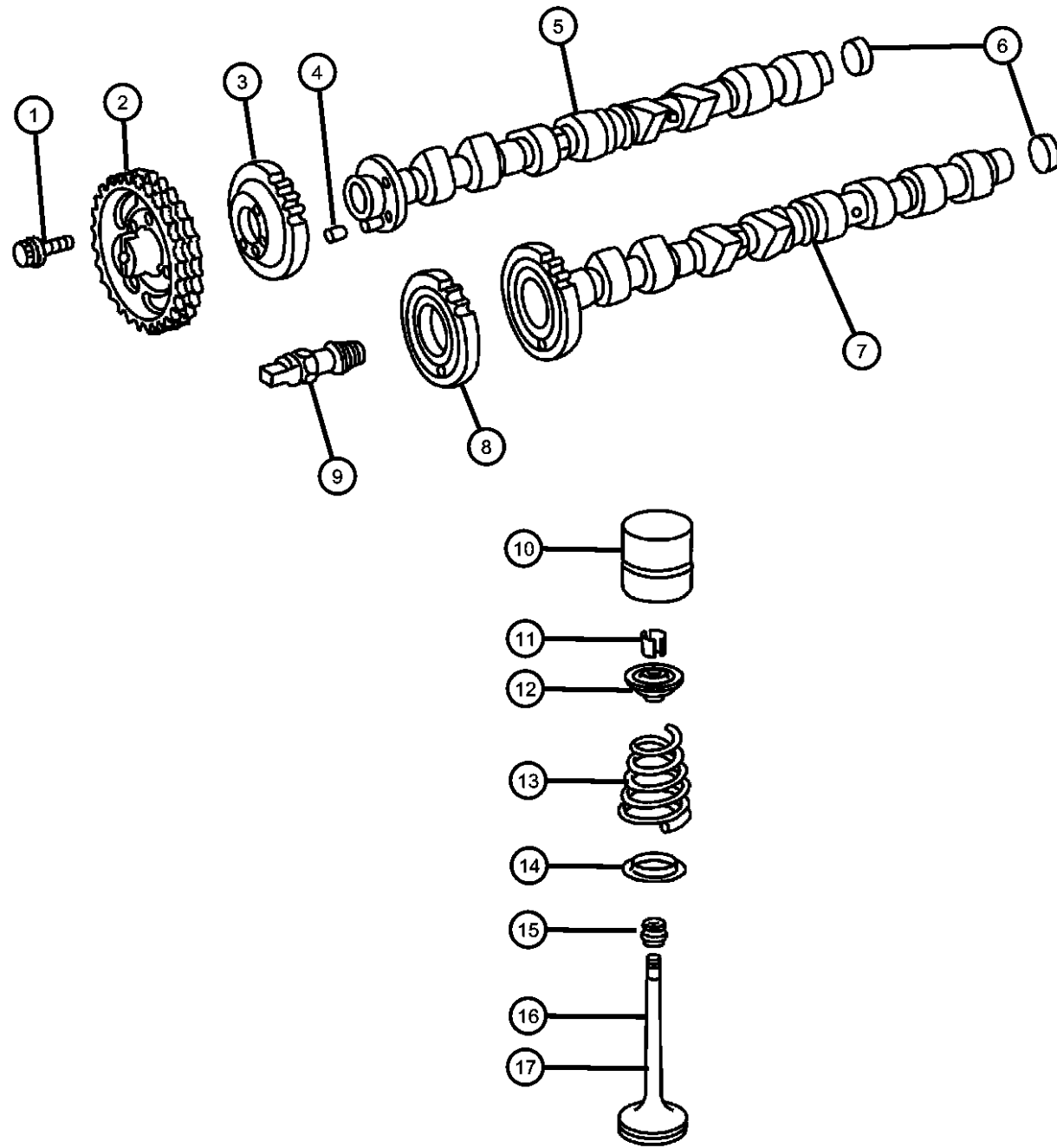
BODY
27 = 2-DR CONVERTIBLE
44 = HATCHBACK/QUAD
CAB CHASSIS LWB

ENGINE TRANSMISSION
EDJ = 2.2L 4 Cyl Turbo Diesel Engine
EDT = 2.4L 4 Cyl DOHC 16V Turbo Engine
EDV = 2.4L 4 Cyl DOHC 16V HO Turbo Engine
EDZ = 2.4L 4 Cyl DOHC 16V SMPI Engine
EJD = 1.6L 4 Cyl SOHC 16V SMPI
DGL = 4-Speed Automatic Transmission
DD5 = 5-Speed Manual Transmission
DDD = 5-Speed HD Manual Transmission

AR = use ase required - = Non illustrated part

2006 PT

**Camshaft and Valves [EDJ]
Figure 2.2LD-510**



ITEM	PART NUMBER	QTY	LINE	SERIES	BODY	ENGINE	TRANS	TRIM	DESCRIPTION
1	05086285AA	3				EDJ			SCREW
2	05080216AA	1				EDJ			SPROCKET, Camshaft
3	05073814AA	1				EDJ			GEAR, CamshaftExhaust
4	05080096AA	1				EDJ			PIN, Dowel
5	05073813AA	1				EDJ			CAMSHAFT
6	05080071AA	1				EDJ			PLUG, Expansion
7	05073807AA	1				EDJ			CAMSHAFT, Includes Gear
8	05073807AA	1							GEAR, Camshaft, Serviced with Camshaft, (NOT SERVICED)
9	05086157AB	1				EDJ			FOLLOWER, Camshaft
10	05080060AB	16				EDJ			TAPPET, Valve
11	05080051AA	32				EDJ			LOCK, Valve Spring Retainer
12	05080052AA	16				EDJ			RETAINER, Valve Spring
13	05117403AA	8				EDJ			SPRING, Valve
14	05080055AA	16				EDJ			RETAINER, Valve Spring
15	05086290AA	16				EDJ			SEAL, Valve Guide
16	05073735AA	8				EDJ			VALVE, Intake, Standard
17	05073738AA	8				EDJ			VALVE, Engine Exhaust

NOTES: Sales Code
[EDJ] = 2.2L 4 Cylinder Turbo Diesel Engine

PT CRUISER (PT)

SERIES LINE
H = HIGHLINE C = CHRYSLER
P = PREMIUM Z = CHRYSLER (RHD)
S = SPORT
X = SPECIAL

BODY
27 = 2-DR CONVERTIBLE
44 = HATCHBACK/QUAD
CAB CHASSIS LWB

ENGINE
EDJ = 2.2L 4 Cyl Turbo Diesel Engine
EDT = 2.4L 4 Cyl DOHC 16V Turbo Engine
EDV = 2.4L 4 Cyl DOHC 16V HO Turbo Engine
EDZ = 2.4L 4 Cyl DOHC 16V SMPI Engine
EJD = 1.6L 4 Cyl SOHC 16V SMPI

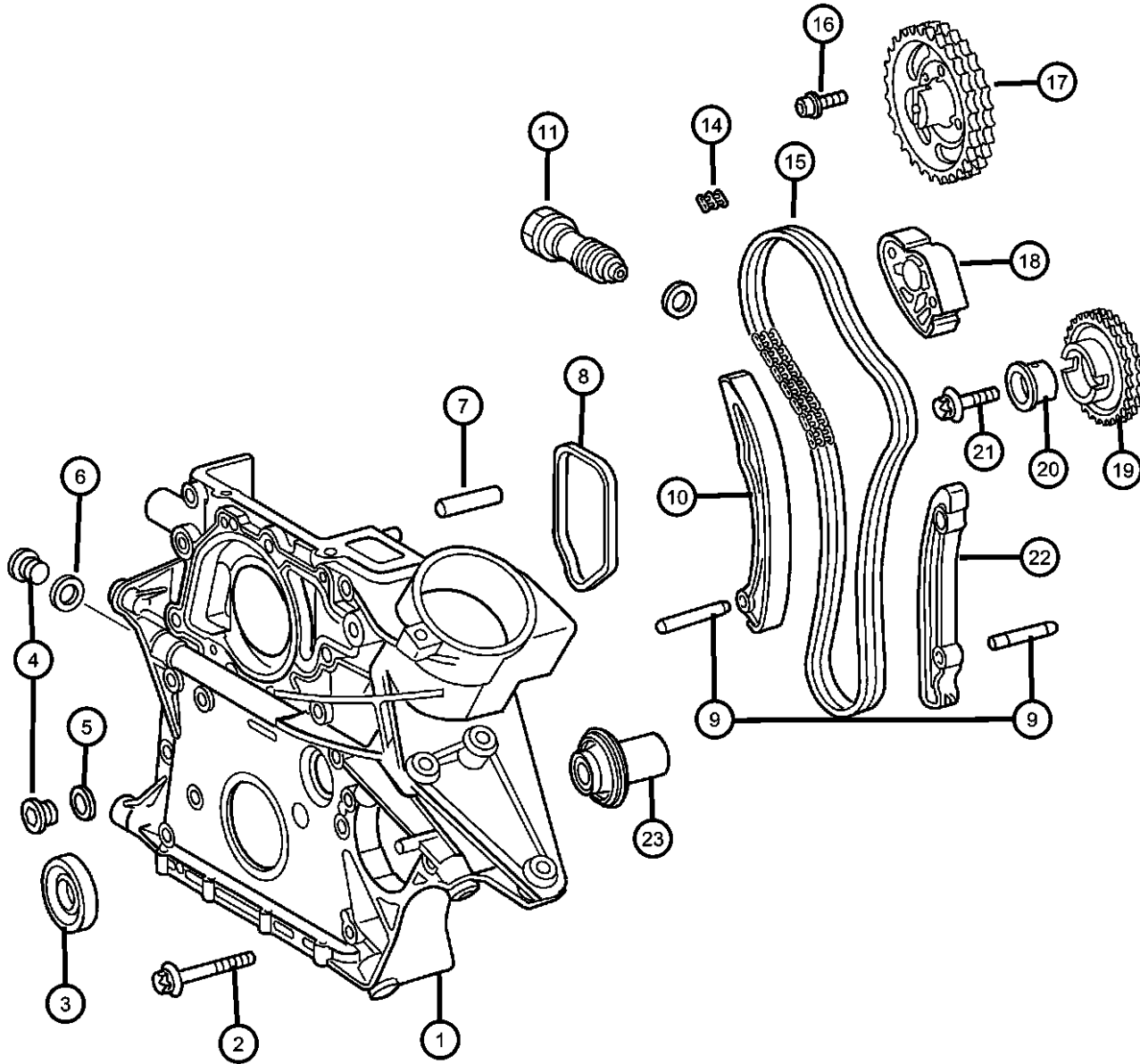
TRANSMISSION
DGL = 4-Speed Automatic Transmission
DD5 = 5-Speed Manual Transmission
DDD = 5-Speed HD Manual Transmission

AR = use ase required - = Non illustrated part

2006 PT

**Timing Belt and Cover [EDJ]
Figure 2.2LD-610**

ITEM	PART NUMBER	QTY	LINE	SERIES	BODY	ENGINE	TRANS	TRIM	DESCRIPTION
NOTES: Sales Code									
[EDJ] = 2.2L 4 Cylinder Turbo Diesel Engine									
1	05073674AB	1				EDJ			COVER, Timing Case
2	06104031AA	8				EDJ			SCREW
3	05073675AB	1				EDJ			OIL SEAL
4	05080391AA	6				EDJ			PLUG
5	05080115AA	1				EDJ			O RING
6	05080114AA	1				EDJ			O RING
7	05073936AA	1				EDJ			DOWEL
8	05073677AA	1				EDJ			GASKET, Timing Cover
9	05073870AA	2				EDJ			DOWEL
10	05080099AA	1				EDJ			GUIDE, Timing Chain
11	05080102AB	1				EDJ			TENSIONER, Chain
-12	05117403AA	8				EDJ			SPRING, Valve
-13	05080055AA	16				EDJ			RETAINER, Valve Spring
14	05080129AA	1				EDJ			LINK, Chain
15	05080209AB	1				EDJ			CHAIN, Timing
16	05135134AA	3				EDJ			SCREW
17	05080216AA	1				EDJ			SPROCKET, Camshaft
18	05080101AA	1				EDJ			GUIDE, Timing Chain
19	05117380AA	1				EDJ			GEAR, Intermediate
20	05080206AA	1				EDJ			PIN
21	05073707AA	1				EDJ			SCREW
22	05080100AA	1				EDJ			GUIDE, Timing Chain
23	05080179AA	1				EDJ			VALVE, Pressure Relief
-24	06104033AA	3				EDJ			SCREW, Timing Cover
-25	05080267AA	1				EDJ			CONNECTOR, Between Water Pump And Timing Cover



PT CRUISER (PT)

SERIES LINE
H = HIGHLINE C = CHRYSLER
P = PREMIUM Z = CHRYSLER (RHD)
S = SPORT
X = SPECIAL

BODY
27 = 2-DR CONVERTIBLE
44 = HATCHBACK/QUAD
CAB CHASSIS LWB

ENGINE
EDJ = 2.2L 4 Cyl Turbo Diesel Engine
EDT = 2.4L 4 Cyl DOHC 16V Turbo Engine
EDV = 2.4L 4 Cyl DOHC 16V HO Turbo Engine
EDZ = 2.4L 4 Cyl DOHC 16V SMPI Engine
EJD = 1.6L 4 Cyl SOHC 16V SMPI

TRANSMISSION
DGL = 4-Speed Automatic Transmission
DD5 = 5-Speed Manual Transmission
DDD = 5-Speed HD Manual Transmission

AR = use ase required - = Non illustrated part

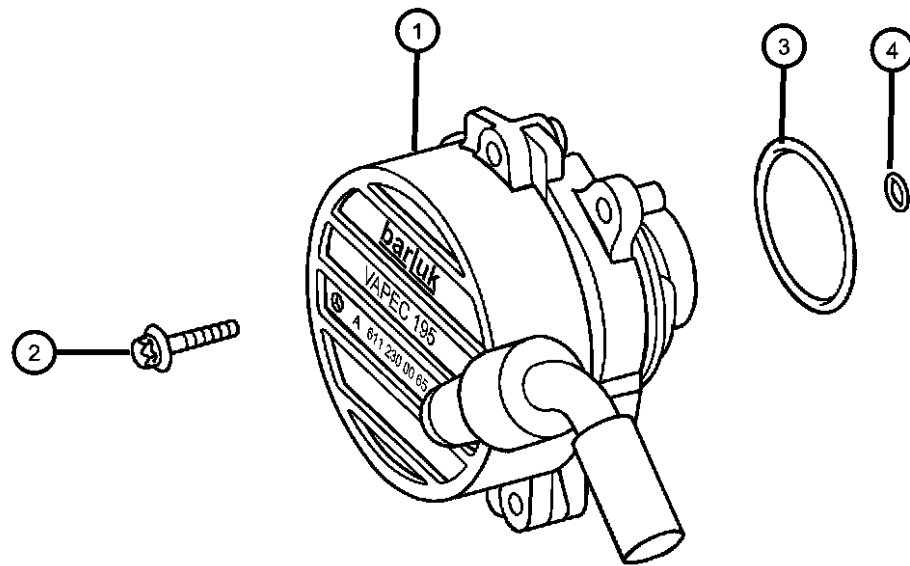
2006 PT

Vacuum Pump [EDJ]
Figure 2.2LD-620

ITEM	PART NUMBER	QTY	LINE	SERIES	BODY	ENGINE	TRANS	TRIM	DESCRIPTION
------	-------------	-----	------	--------	------	--------	-------	------	-------------

NOTE: Sales Code
[EDJ] = 2.2L 4 Cylinder Turbo Diesel Engine

1	05080456AA	1				EDJ			PUMP, Vacuum
2	05073702AA	2				EDJ			SCREW
3	05080334AA	1				EDJ			O RING
4	05080335AA	1				EDJ			O RING
-5	05080131AA	1				EDJ			PLATE, Mounting, Injector/Vacuum Pump



PT CRUISER (PT)

SERIES	LINE	BODY	ENGINE	TRANSMISSION
H = HIGHLINE	C = CHRYSLER	27 = 2-DR CONVERTIBLE	EDJ = 2.2L 4 Cyl Turbo Diesel Engine	DGL = 4-Speed Automatic Transmission
P = PREMIUM	Z = CHRYSLER (RHD)	44 = HATCHBACK/QUAD CAB CHASSIS LWB	EDT = 2.4L 4 Cyl DOHC 16V Turbo Engine	DD5 = 5-Speed Manual Transmission
S = SPORT			EDV = 2.4L 4 Cyl DOHC 16V HO Turbo Engine	DDD = 5-Speed HD Manual Transmission
X = SPECIAL			EDZ = 2.4L 4 Cyl DOHC 16V SMPI Engine	
			EJD = 1.6L 4 Cyl SOHC 16V SMPI	

AR = use ase required - = Non illustrated part

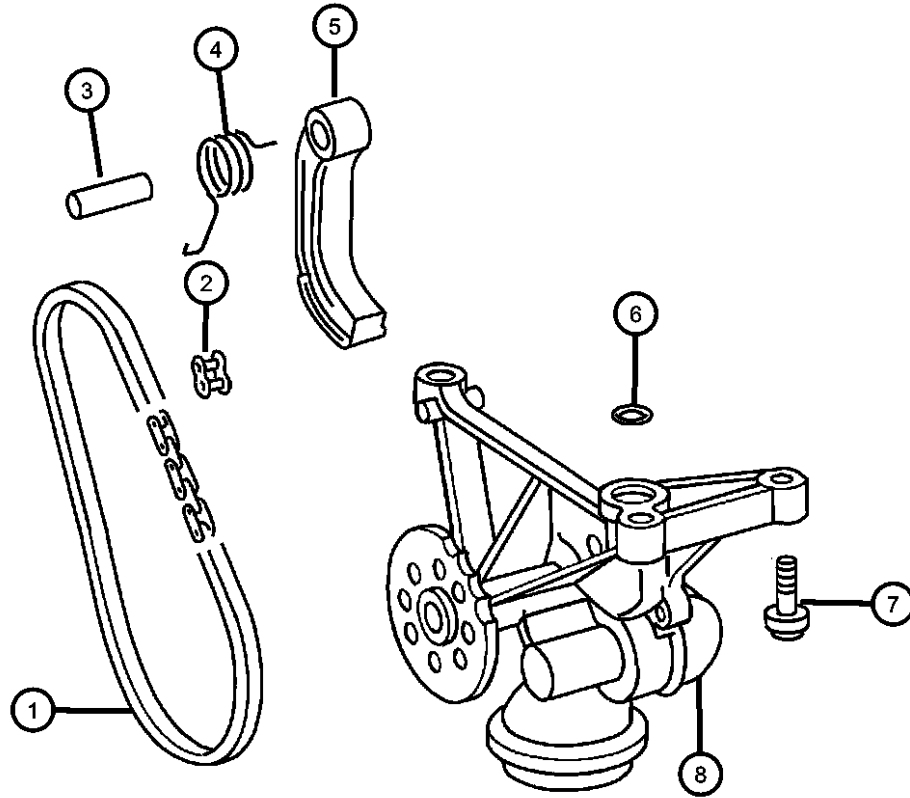
2006 PT

**Engine Oiling [EDJ]
Figure 2.2LD-710**

ITEM	PART NUMBER	QTY	LINE	SERIES	BODY	ENGINE	TRANS	TRIM	DESCRIPTION
------	-------------	-----	------	--------	------	--------	-------	------	-------------

NOTES: Sales Code
[EDJ] = 2.2L 4 Cylinder Turbo Diesel Engine

1	05080128AA	1				EDJ			CHAIN, Pump Drive
2	05080129AA	1				EDJ			LINK, Chain
3	05073871AA	1				EDJ			DOWEL
4	05080120AA	1				EDJ			SPRING
5	05080121AA	1				EDJ			ARM, Tensioner
6	05080123AB	1				EDJ			O RING
7	05073710AA	3				EDJ			SCREW
8	05138985AA	1				EDJ			PUMP, Engine Oil



PT CRUISER (PT)

SERIES LINE
H = HIGHLINE C = CHRYSLER
P = PREMIUM Z = CHRYSLER (RHD)
S = SPORT
X = SPECIAL

BODY
27 = 2-DR CONVERTIBLE
44 = HATCHBACK/QUAD
CAB CHASSIS LWB

ENGINE TRANSMISSION
EDJ = 2.2L 4 Cyl Turbo Diesel Engine
EDT = 2.4L 4 Cyl DOHC 16V Turbo Engine
EDV = 2.4L 4 Cyl DOHC 16V HO Turbo Engine
EDZ = 2.4L 4 Cyl DOHC 16V SMPI Engine
EJD = 1.6L 4 Cyl SOHC 16V SMPI
DGL = 4-Speed Automatic Transmission
DD5 = 5-Speed Manual Transmission
DDD = 5-Speed HD Manual Transmission

AR = use ase required - = Non illustrated part

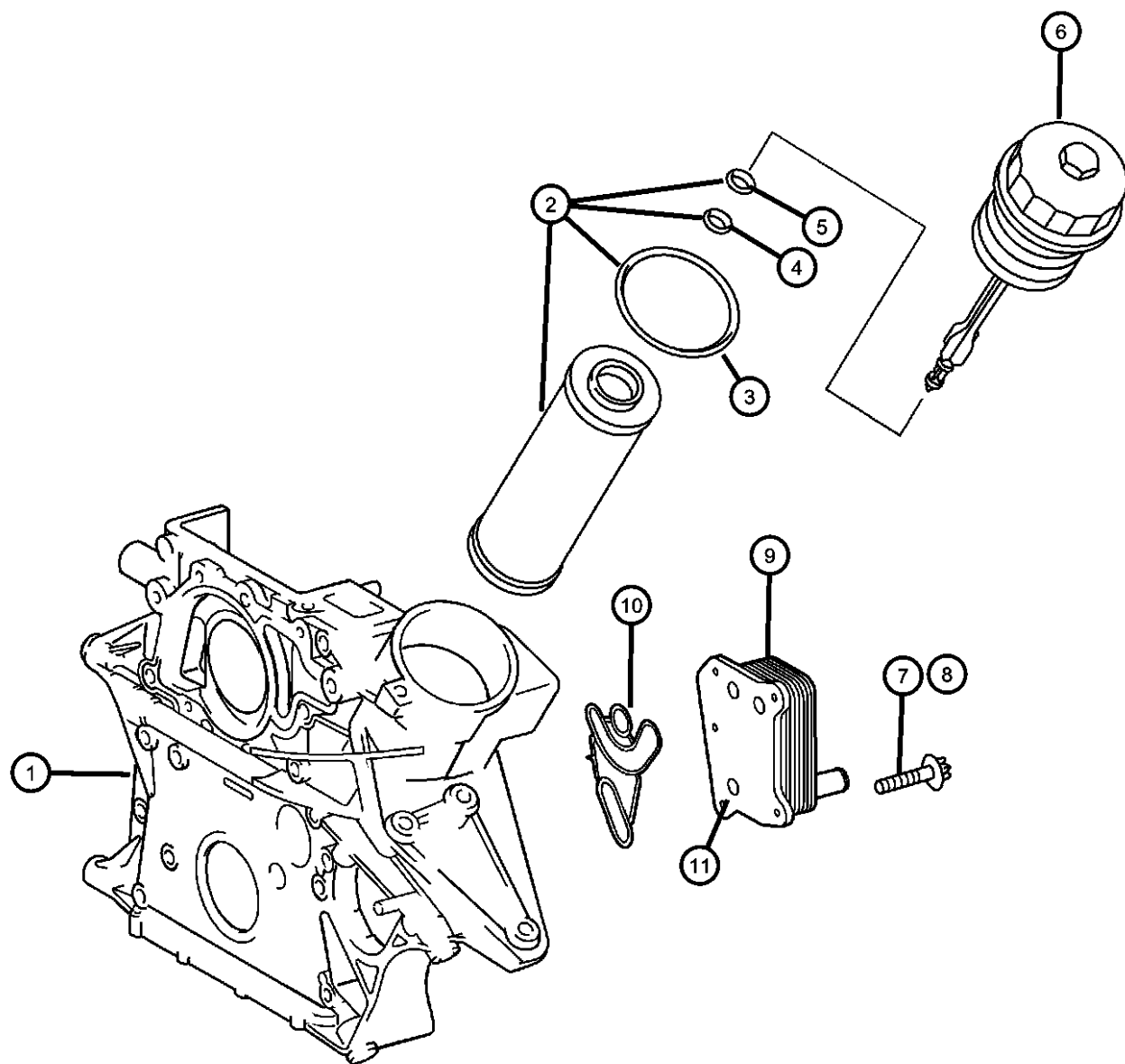
2006 PT

**Oil Cooler and Filter [EDJ]
Figure 2.2LD-720**

ITEM	PART NUMBER	QTY	LINE	SERIES	BODY	ENGINE	TRANS	TRIM	DESCRIPTION
------	-------------	-----	------	--------	------	--------	-------	------	-------------

NOTE: Sales Code
[EDJ] = 2.2L 4 Cylinder Turbo Diesel Engine

1	05073674AB	1				EDJ			COVER, Timing Case
2	05080244AA	1				EDJ			FILTER, Engine Oil
3	05080242AA	1				EDJ			O RING, Oil Filter Cover To Housing
4	05086297AA	1				EDJ			O RING
5	05080245AA	1				EDJ			O RING, Oil Filter Center Bolt
6	05073819AA	1				EDJ			FILTER, Engine Oil
7	05073679AA	5				EDJ			SCREW, Oil Cooler Mounting
8	05073680AA	1				EDJ			SCREW, Oil Cooler Mounting
9	05080247AA	1				EDJ			COOLER, Engine Oil, Includes O-Rings
10	05080252AA	2				EDJ			GASKET, Oil Cooler, Between Oil Pan And Oil Cooler
11	05080249AA	2				EDJ			O RING, Oil Cooler, Oil Cooler To Filter Housing



PT CRUISER (PT)

SERIES	LINE
H = HIGHLINE	C = CHRYSLER
P = PREMIUM	Z = CHRYSLER (RHD)
S = SPORT	
X = SPECIAL	

BODY
27 = 2-DR CONVERTIBLE
44 = HATCHBACK/QUAD CAB CHASSIS LWB

ENGINE	TRANSMISSION
EDJ = 2.2L 4 Cyl Turbo Diesel Engine	DGL = 4-Speed Automatic Transmission
EDT = 2.4L 4 Cyl DOHC 16V Turbo Engine	DD5 = 5-Speed Manual Transmission
EDV = 2.4L 4 Cyl DOHC 16V HO Turbo Engine	DDD = 5-Speed HD Manual Transmission
EDZ = 2.4L 4 Cyl DOHC 16V SMPI Engine	
EJD = 1.6L 4 Cyl SOHC 16V SMPI	

AR = use ase required - = Non illustrated part

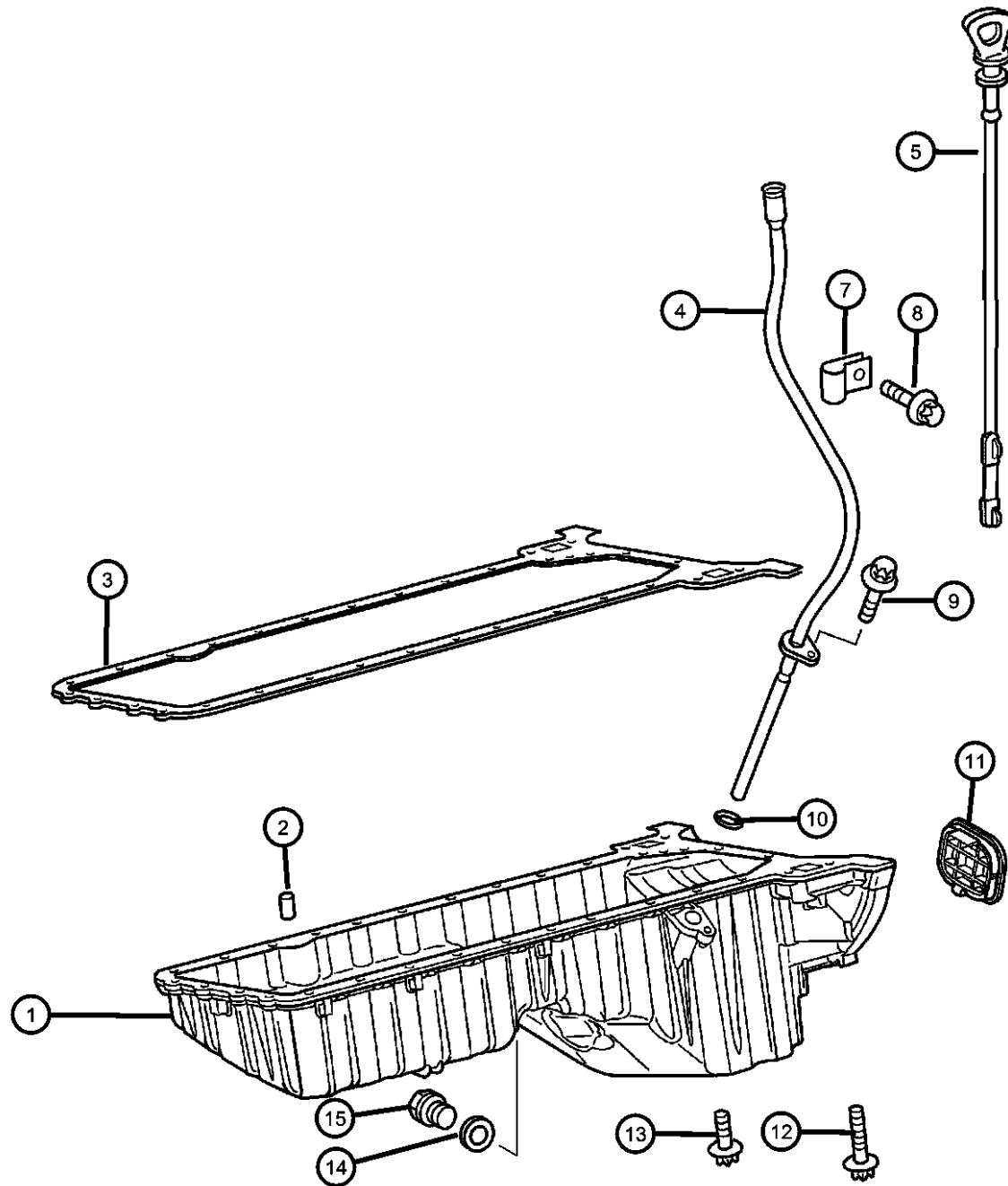
2006 PT

Oil Pan [EDJ]
Figure 2.2LD-730

ITEM	PART NUMBER	QTY	LINE	SERIES	BODY	ENGINE	TRANS	TRIM	DESCRIPTION
------	-------------	-----	------	--------	------	--------	-------	------	-------------

NOTES: Sales Code
[EDJ] = 2.2L 4 Cylinder Turbo Diesel Engine

1	05073733AA	1				EDJ			PAN, Engine Oil
2	05073869AA	2				EDJ			DOWEL
3	05073947AA	1				EDJ			GASKET, Oil Pan
4	05073937AA	1				EDJ			TUBE, Engine Oil Indicator
5	05073941AA	1				EDJ			INDICATOR, Engine Oil Level
-6	05073940AA	1				EDJ			BRACKET, Indicator Tube
7	05073938AB	1				EDJ			CLAMP, Tube Retaining
8	06104005AA	1				EDJ			SCREW
9	06104682AA	1				EDJ			SCREW
10	05073943AA	1				EDJ			O RING, Engine Oil Level Tube
11	05073996AA	2				EDJ			PLUG, Expansion
12	06104009AA	3				EDJ			SCREW
13	06104006AA	20				EDJ			BOLT
14	05073946AA	1				EDJ			GASKET, Drain Plug
15	05073945AA	1				EDJ			PLUG, Oil Drain
-16	06104027AA	4				EDJ			SCREW



PT CRUISER (PT)

SERIES LINE
H = HIGHLINE C = CHRYSLER
P = PREMIUM Z = CHRYSLER (RHD)
S = SPORT
X = SPECIAL

BODY
27 = 2-DR CONVERTIBLE
44 = HATCHBACK/QUAD
CAB CHASSIS LWB

ENGINE
EDJ = 2.2L 4 Cyl Turbo Diesel Engine
EDT = 2.4L 4 Cyl DOHC 16V Turbo Engine
EDV = 2.4L 4 Cyl DOHC 16V HO Turbo Engine
EDZ = 2.4L 4 Cyl DOHC 16V SMPI Engine
EJD = 1.6L 4 Cyl SOHC 16V SMPI

TRANSMISSION
DGL = 4-Speed Automatic Transmission
DD5 = 5-Speed Manual Transmission
DDD = 5-Speed HD Manual Transmission

AR = use ase required - = Non illustrated part

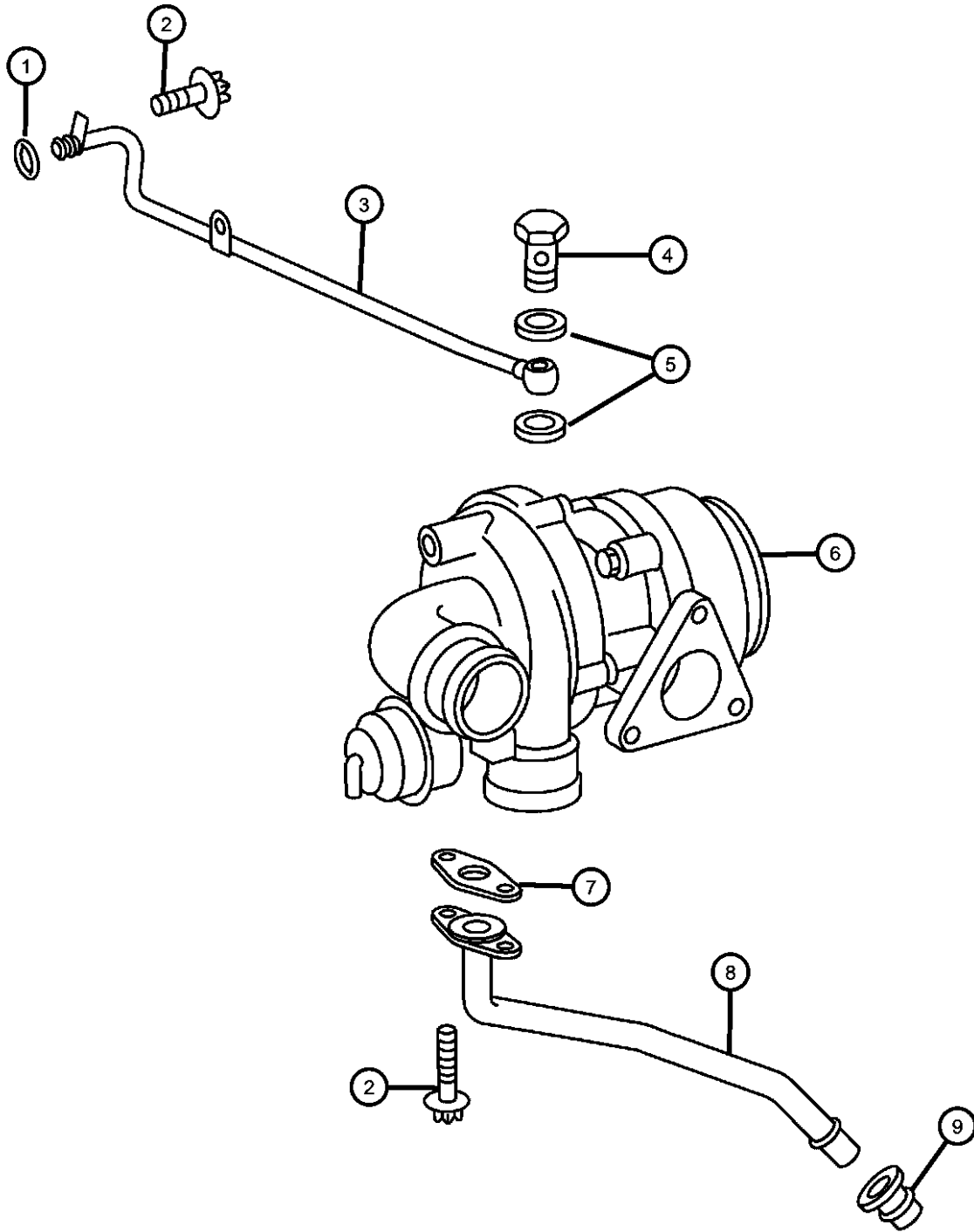
2006 PT

**Turbo Oil Return Lines [EDJ]
Figure 2.2LD-740**

ITEM	PART NUMBER	QTY	LINE	SERIES	BODY	ENGINE	TRANS	TRIM	DESCRIPTION
------	-------------	-----	------	--------	------	--------	-------	------	-------------

NOTE: Sales Code
[EDJ] = 2.2L 4 Cylinder Turbo Diesel Engine

1	05080135AA	1				EDJ			O RING
2	06104005AA	1				EDJ			SCREW
3	05080257AA	1				EDJ			HOSE
4	05080137AA	1				EDJ			SCREW
5	05080136AB	2				EDJ			O RING
6	05080136AB	2							TURBOCHARGER, Reference only see jGroup 014 # 630., (NOT SERVICED)
7	05117624AA	1				EDJ			GASKET, Turbo Oil Return Pipe
8	05086374AA	1				EDJ			TUBE, Turbo Oil Return
9	05080140AB	1				EDJ			GASKET, Turbo Oil Return Pipe
-10	05080142AA	1				EDJ			SEAL, Impeller
-11	04891554AB	1				EDJ			HOSE, Intercooler Inlet
-12	04891464AB	1				EDJ			HOSE, Intercooler Outlet



PT CRUISER (PT)

SERIES LINE
H = HIGHLINE C = CHRYSLER
P = PREMIUM Z = CHRYSLER (RHD)
S = SPORT
X = SPECIAL

BODY
27 = 2-DR CONVERTIBLE
44 = HATCHBACK/QUAD
CAB CHASSIS LWB

ENGINE TRANSMISSION
EDJ = 2.2L 4 Cyl Turbo Diesel Engine
EDT = 2.4L 4 Cyl DOHC 16V Turbo Engine
EDV = 2.4L 4 Cyl DOHC 16V HO Turbo Engine
EDZ = 2.4L 4 Cyl DOHC 16V SMPI Engine
EJD = 1.6L 4 Cyl SOHC 16V SMPI
DGL = 4-Speed Automatic Transmission
DD5 = 5-Speed Manual Transmission
DDD = 5-Speed HD Manual Transmission

AR = use ase required - = Non illustrated part

2006 PT

**Manifold [EDJ]
Figure 2.2LD-810**

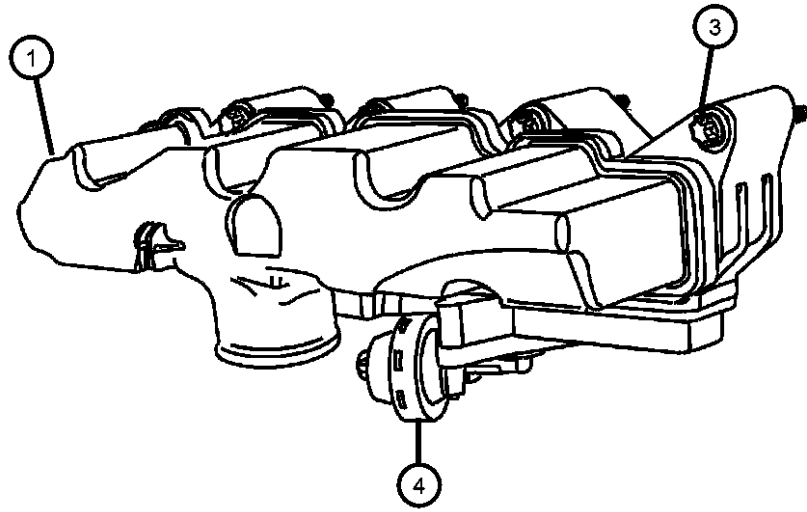
ITEM	PART NUMBER	QTY	LINE	SERIES	BODY	ENGINE	TRANS	TRIM	DESCRIPTION
------	-------------	-----	------	--------	------	--------	-------	------	-------------

NOTE:

Exhaust Manifold Gasket 05135985AA Is A New Style Gasket That Is Being Used. The Gasket Also Fits Six Cylinder Engines The Last Two Exhaust
Sales Code

[EDJ] = 2.2L 4 Cylinder Turbo Diesel Engine

1									MANIFOLD, Intake
	05083380AC	1				EDJ			
	68019992AA	1	C, Z			EDJ			1
-2	05080385AA	4				EDJ			GASKET, Intake Manifold
3	06104729AA	9				EDJ			NUT
4	05080389AA	1				EDJ			ACTUATOR, Vacuum
-5	05073827AB	1				EDJ			MANIFOLD, Exhaust, See Note, Without Turbo Charger
-6	05135985AA	1				EDJ			GASKET, Exhaust Manifold, See Note



PT CRUISER (PT)

SERIES LINE
H = HIGHLINE C = CHRYSLER
P = PREMIUM Z = CHRYSLER (RHD)
S = SPORT
X = SPECIAL

BODY
27 = 2-DR CONVERTIBLE
44 = HATCHBACK/QUAD
CAB CHASSIS LWB

ENGINE TRANSMISSION
EDJ = 2.2L 4 Cyl Turbo Diesel Engine
EDT = 2.4L 4 Cyl DOHC 16V Turbo Engine
EDV = 2.4L 4 Cyl DOHC 16V HO Turbo Engine
EDZ = 2.4L 4 Cyl DOHC 16V SMPI Engine
EJD = 1.6L 4 Cyl SOHC 16V SMPI
DGL = 4-Speed Automatic Transmission
DD5 = 5-Speed Manual Transmission
DDD = 5-Speed HD Manual Transmission

AR = use ase required - = Non illustrated part

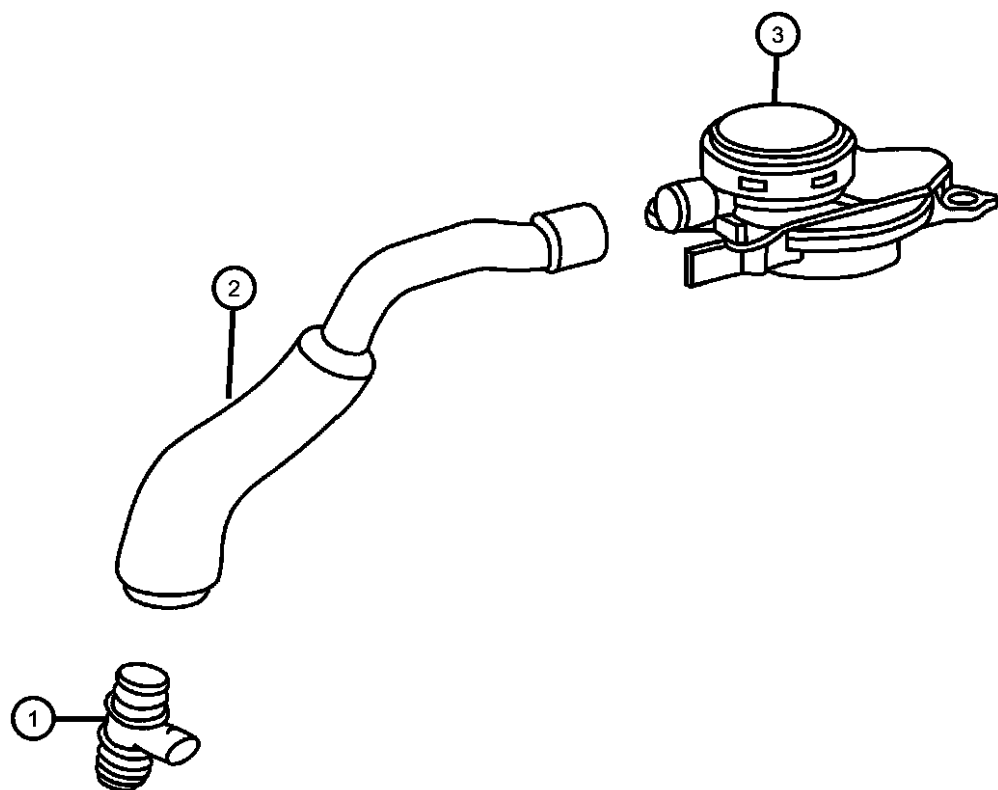
2006 PT

**Crankcase Ventilation [EDJ]
Figure 2.2LD-910**

ITEM	PART NUMBER	QTY	LINE	SERIES	BODY	ENGINE	TRANS	TRIM	DESCRIPTION
------	-------------	-----	------	--------	------	--------	-------	------	-------------

NOTES: Sales Code
[EDJ] = 2.2L 4 Cylinder Turbo Diesel Engine

1	05080183AA	1				EDJ			TUBE, Crankcase Vent Valve
2									TUBE, Oil Feed
	04862653AA	1	C, Z			EDJ	DDD		After Engine Number 30029438
	05080239AB	1				EDJ			Up To Engine Number 30029438
3	04725563AA	1				EDJ			SEPERATOR, Oil



PT CRUISER (PT)

SERIES LINE
H = HIGHLINE C = CHRYSLER
P = PREMIUM Z = CHRYSLER (RHD)
S = SPORT
X = SPECIAL

BODY
27 = 2-DR CONVERTIBLE
44 = HATCHBACK/QUAD
CAB CHASSIS LWB

ENGINE TRANSMISSION
EDJ = 2.2L 4 Cyl Turbo Diesel Engine
EDT = 2.4L 4 Cyl DOHC 16V Turbo Engine
EDV = 2.4L 4 Cyl DOHC 16V HO Turbo Engine
EDZ = 2.4L 4 Cyl DOHC 16V SMPI Engine
EJD = 1.6L 4 Cyl SOHC 16V SMPI
DGL = 4-Speed Automatic Transmission
DD5 = 5-Speed Manual Transmission
DDD = 5-Speed HD Manual Transmission

AR = use ase required - = Non illustrated part

2006 PT

Group - 11

Exhaust

Group - 11 Exhaust

Illustration Title

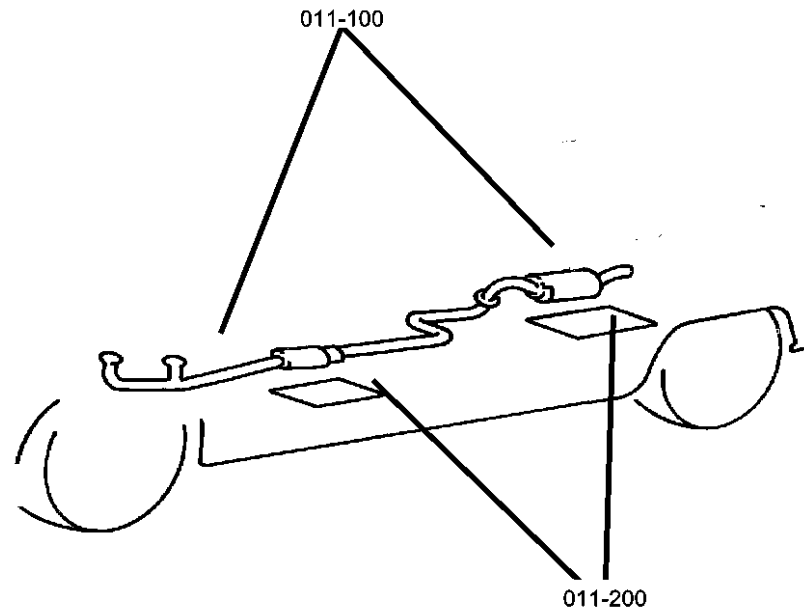
Group-Fig. No.

Exhaust System

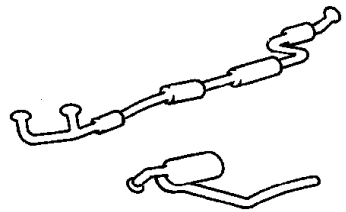
Exhaust Systems..... Fig. 11 - 110

Heat Shields

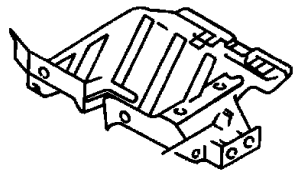
Exhaust Shields Fig. 11 - 210



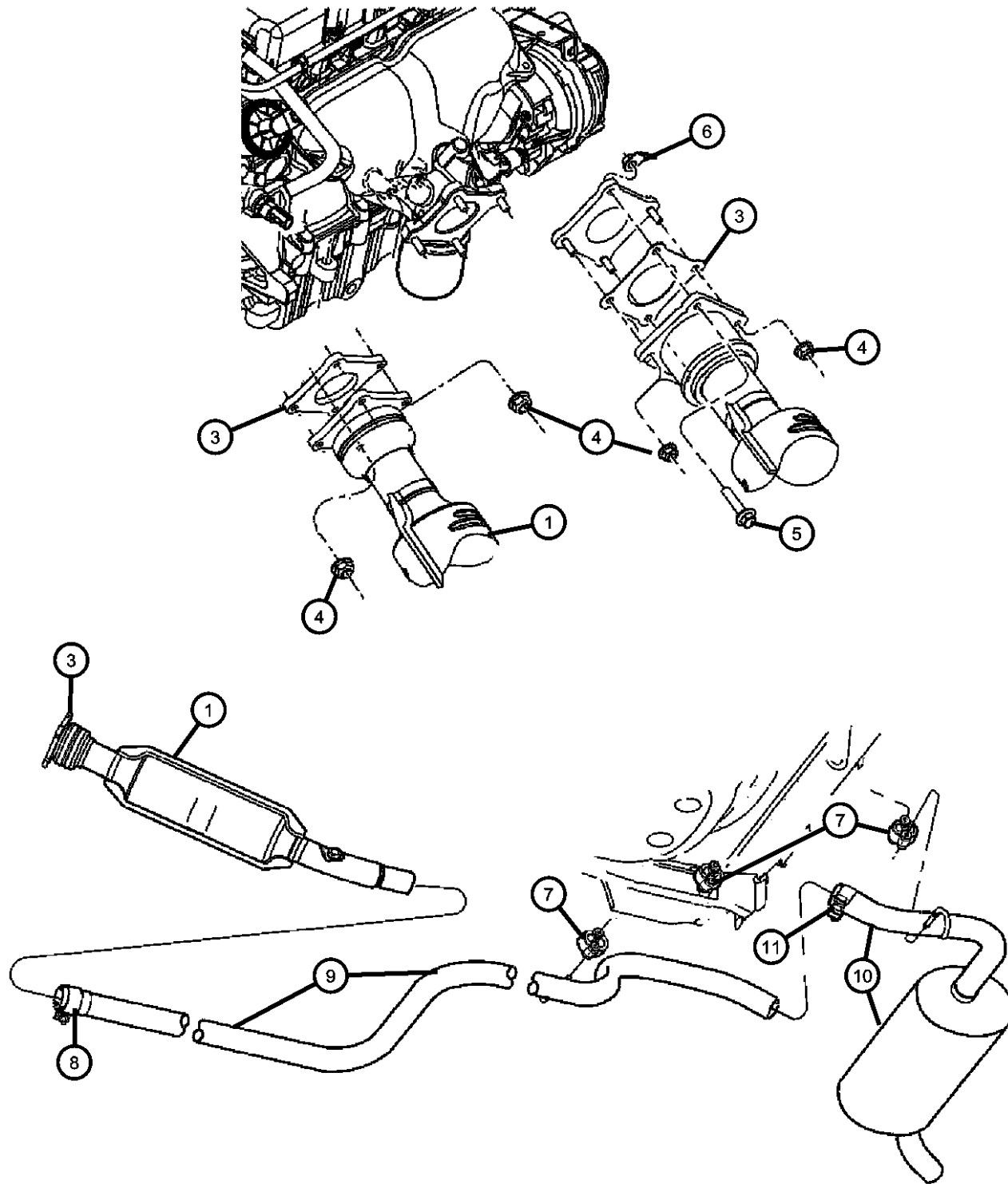
011-100
Exhaust System



011-200
Heat Shields



Exhaust Systems Figure 11-110



ITEM	PART NUMBER	QTY	LINE	SERIES	BODY	ENGINE	TRANS	TRIM	DESCRIPTION
									Note: Sales Codes; [DDD]= 5 Speed Heavy Duty Manual Transmission [DD5]= 5 Speed Manual Transmission [DGL]= 4 Speed Automatic Transmission 41TE/41AE [EDJ]= 2.2L 4 Cylinder Turbo Diesel Engine [EJD]= 1.6L 4 Cylinder SOHC 16 Valve SMPI Engine [EDT]= 2.4L I-4 DOHC 16 Valve Turbo Engine [EDV]= 2.4L I-4 DOHC 16 Valve High Output Turbo Engine [EDZ]= 2.4L 4 Cylinder DOHC 16 Valve SMPI Engine
1	05085658AB	1			44	EDZ	DGL		CONVERTER, Catalytic [NAE]
	05085660AB	1				EDJ			
	05085700AB	1				EDT			
		1				EDV			[NAS]
	05085905AC	1				EDZ	DD5		
		1			27	EDZ	DGL		
	05085980AD	1			44	EDZ	DGL		[NAA=NA1]
	05273714AA	1				EJD			[NA1]
	05278850AG	1				EDV			[NA1]
-2	05085660AB	1				EDJ			CONVERTER, Catalytic, Pre-Cat
3									GASKET, Exhaust Manifold to Front Converter
	04881012AB	1							
	05273591AA	1				EDJ			
4									NUT, Hex Lock, M8x1.25
	06100517	4				EDJ, EDZ, EJD			
		3				EDT, EDV			
5	06100307	1				EDT, EDV			BOLT, Hex Head, M8x1.25x40.00
6	04682810AB	1				EDT, EDV			NUT, Hex Flange, M8x1.25
7	05278526AA	3							BRACKET AND ISOLATOR, Exhaust
8									CLAMP, Exhaust
	05085027AA	1				EDZ	DD5		
		1				EDT, EDV			
		1			27	EDZ	DGL		

PT CRUISER (PT)

SERIES	LINE
H = HIGHLINE	C = CHRYSLER
P = PREMIUM	Z = CHRYSLER (RHD)
S = SPORT	
X = SPECIAL	

BODY
27 = 2-DR CONVERTIBLE
44 = HATCHBACK/QUAD
CAB CHASSIS LWB

ENGINE
EDJ = 2.2L 4 Cyl Turbo Diesel
EDT = 2.4L 4 Cyl DOHC 16V
Turbo Engine
EDV = 2.4L 4 Cyl DOHC 16V
HO Turbo Engine
EDZ = 2.4L 4 Cyl DOHC 16V
SMPI Engine
EJD = 1.6L 4 Cyl SOHC 16V
SMPI

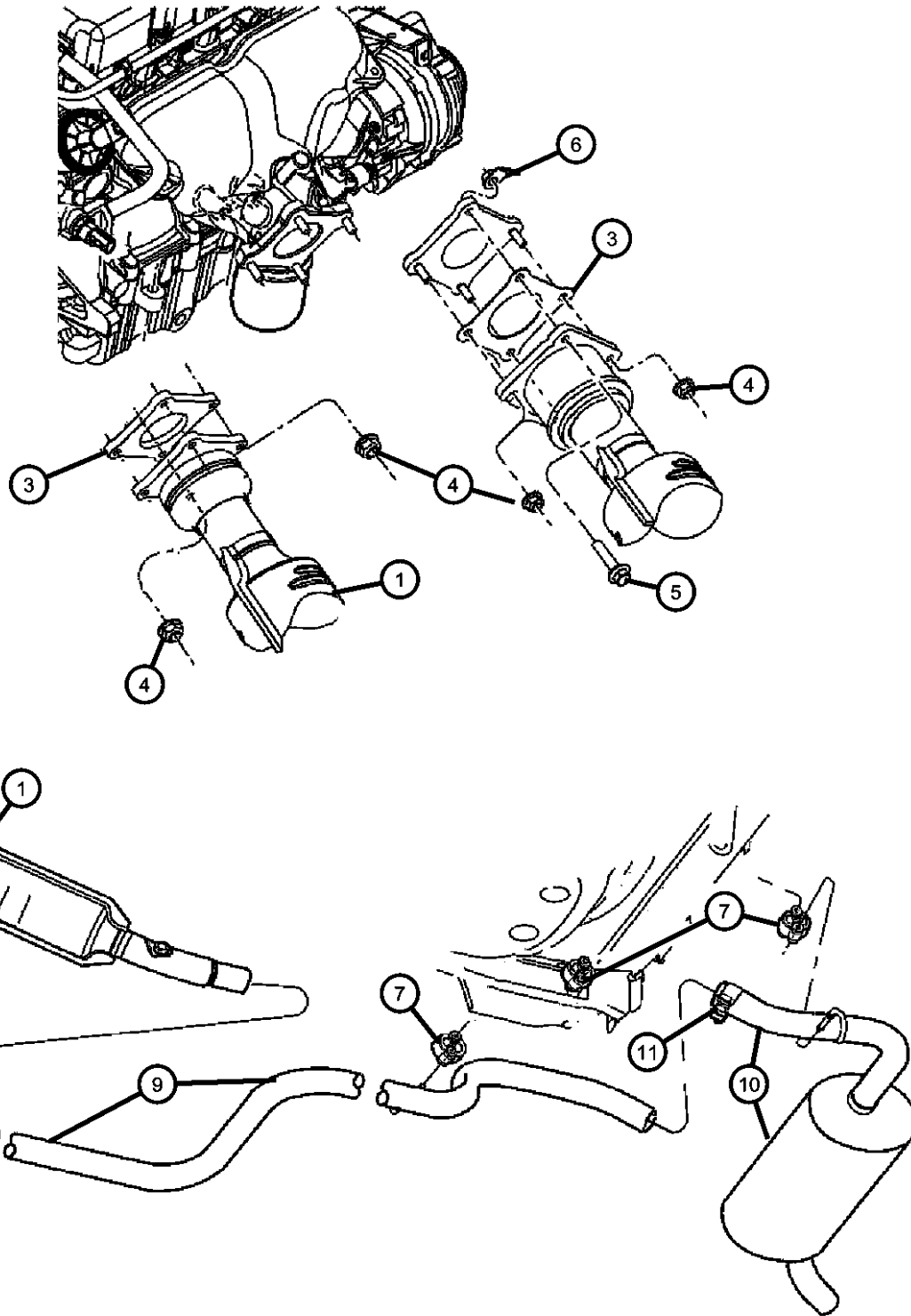
TRANSMISSION
DGL = 4-Speed Automatic
Transmission
DD5 = 5-Speed Manual Transmission
DDD = 5-Speed HD Manual
Transmission

AR = use ase required - = Non illustrated part

2006 PT

Exhaust Systems
Figure 11-110

ITEM	PART NUMBER	QTY	LINE	SERIES	BODY	ENGINE	TRANS	TRIM	DESCRIPTION
9	05085910AB	1				EDJ	DD5, DDD		PIPE, Exhaust Extension
		1				EDZ	DD5		
		1				EDT, EDV			
		1			27	EDZ	DGL		
	05278194AC	1			44	EDZ	DGL		
	E0056078AA								Mopar V-Line Alternative Part Exhaust Extension Pipe
	05278887AC	1				EJD			
10									MUFFLER, Exhaust
	05085267AD	1				EDT			
	05273674AA	1				EJD			Without Bright Exhaust Tip
	05273675AA	1				EDJ			Without Bright Exhaust Tip
	05278195AE	1				EDZ			Without Bright Exhaust Tip
	E0054385AA								Mopar V-Line Alternative Part Muffler
	05278502AE	1				EJD			Bright Exhaust Tip
	05278503AF	1				EDZ			Bright Exhaust Tip
	05278846AE	1				EDJ			Bright Exhaust Tip
	05290586AB	1				EDV			
11	04695220AB	AR							CLAMP, Exhaust
-12	06033864	AR							RIVET, .197 Grip-.187-.375, Exhaust Bracket Repair



PT CRUISER (PT)

SERIES LINE
H = HIGHLINE C = CHRYSLER
P = PREMIUM Z = CHRYSLER (RHD)
S = SPORT
X = SPECIAL

BODY
27 = 2-DR CONVERTIBLE
44 = HATCHBACK/QUAD CAB CHASSIS LWB

ENGINE
EDJ = 2.2L 4 Cyl Turbo Diesel Engine
EDT = 2.4L 4 Cyl DOHC 16V Turbo Engine
EDV = 2.4L 4 Cyl DOHC 16V HO Turbo Engine
EDZ = 2.4L 4 Cyl DOHC 16V SMPI Engine
EJD = 1.6L 4 Cyl SOHC 16V SMPI

TRANSMISSION
DGL = 4-Speed Automatic Transmission
DD5 = 5-Speed Manual Transmission
DDD = 5-Speed HD Manual Transmission

AR = use ase required - = Non illustrated part

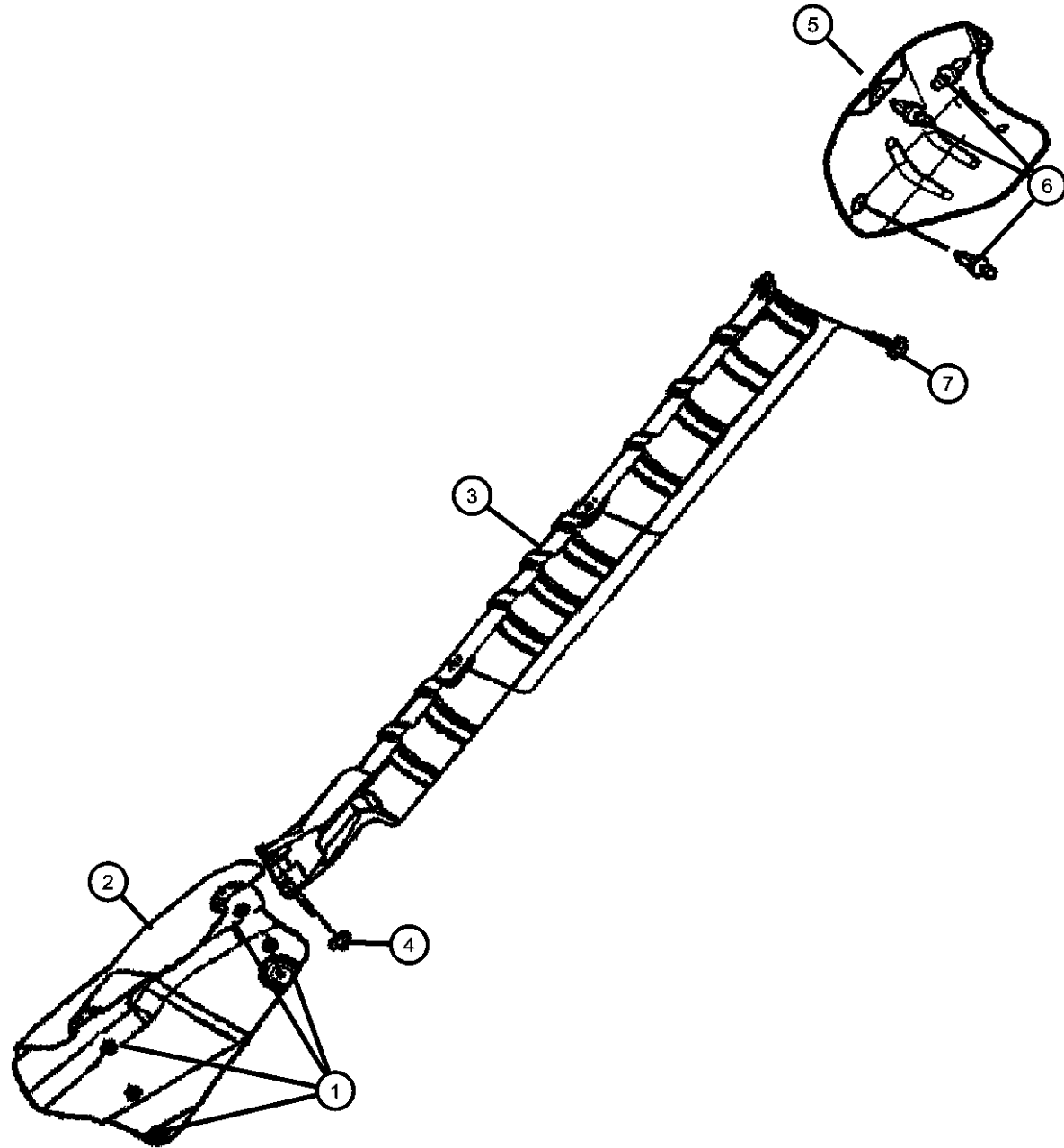
2006 PT

Exhaust Shields
Figure 11-210

ITEM	PART NUMBER	QTY	LINE	SERIES	BODY	ENGINE	TRANS	TRIM	DESCRIPTION
------	-------------	-----	------	--------	------	--------	-------	------	-------------

Note; Sales Codes;
[EAG]= All Gas Engines

1	06102101AA	4							NUT AND WASHER, Hex, M5x0.80
2	05278712AB	1							SHIELD, Converter Underbody
3	05278713AA	1				EAG			SHIELD, Heat
4	06503908	1				EAG			NUT, Heat Shield Attach, M5x1.60
5	05278393AA	1				EAG			SHIELD, Muffler
6	06503106	3				EAG			RETAINER, Push In Type M6.3 Hole
7	06034716	2				EAG			SCREW AND WASHER, Hex Flange Head, .25-14x.875



PT CRUISER (PT)

SERIES LINE
H = HIGHLINE C = CHRYSLER
P = PREMIUM Z = CHRYSLER (RHD)
S = SPORT
X = SPECIAL

BODY
27 = 2-DR CONVERTIBLE
44 = HATCHBACK/QUAD
CAB CHASSIS LWB

ENGINE
EDJ = 2.2L 4 Cyl Turbo Diesel Engine
EDT = 2.4L 4 Cyl DOHC 16V Turbo Engine
EDV = 2.4L 4 Cyl DOHC 16V HO Turbo Engine
EDZ = 2.4L 4 Cyl DOHC 16V SMPI Engine
EJD = 1.6L 4 Cyl SOHC 16V SMPI

TRANSMISSION
DGL = 4-Speed Automatic Transmission
DD5 = 5-Speed Manual Transmission
DDD = 5-Speed HD Manual Transmission

AR = use ase required - = Non illustrated part

2006 PT

Group - 13

Frames and Bumpers

Group - 13 Frames and Bumpers

Illustration Title

Group-Fig. No.

Frames

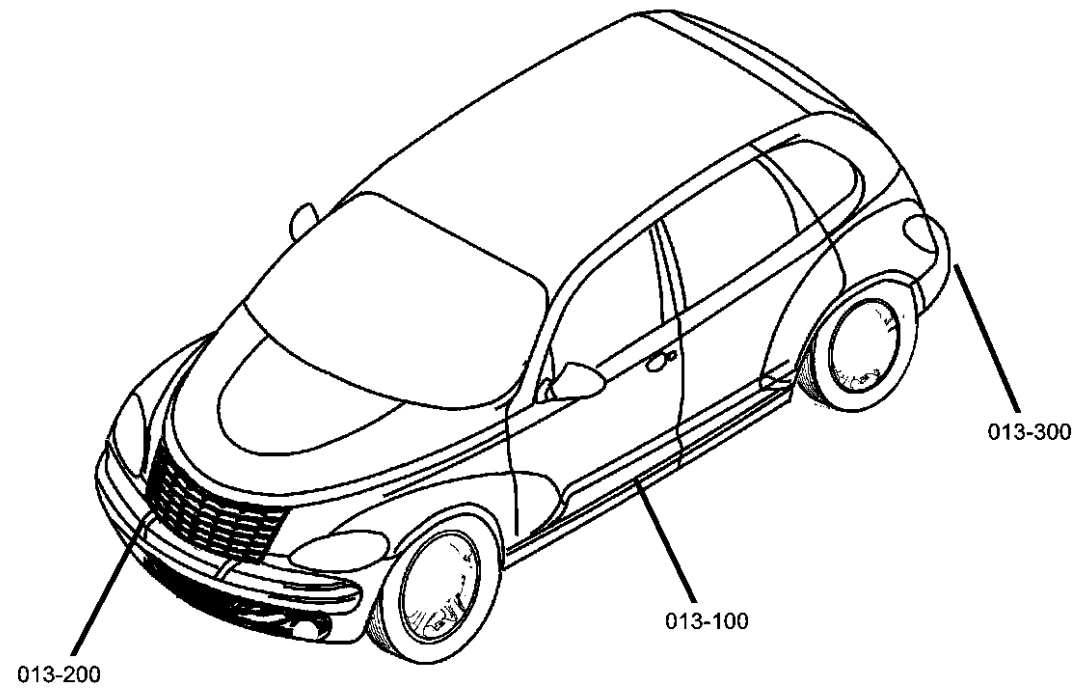
Frame, Front.....Fig. 13 - 105
 Frame, Rear.....Fig. 13 - 110

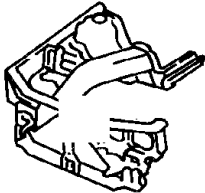
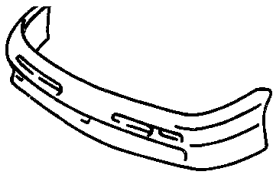

Front Bumper and Fascia

Fascia, Front.....Fig. 13 - 205

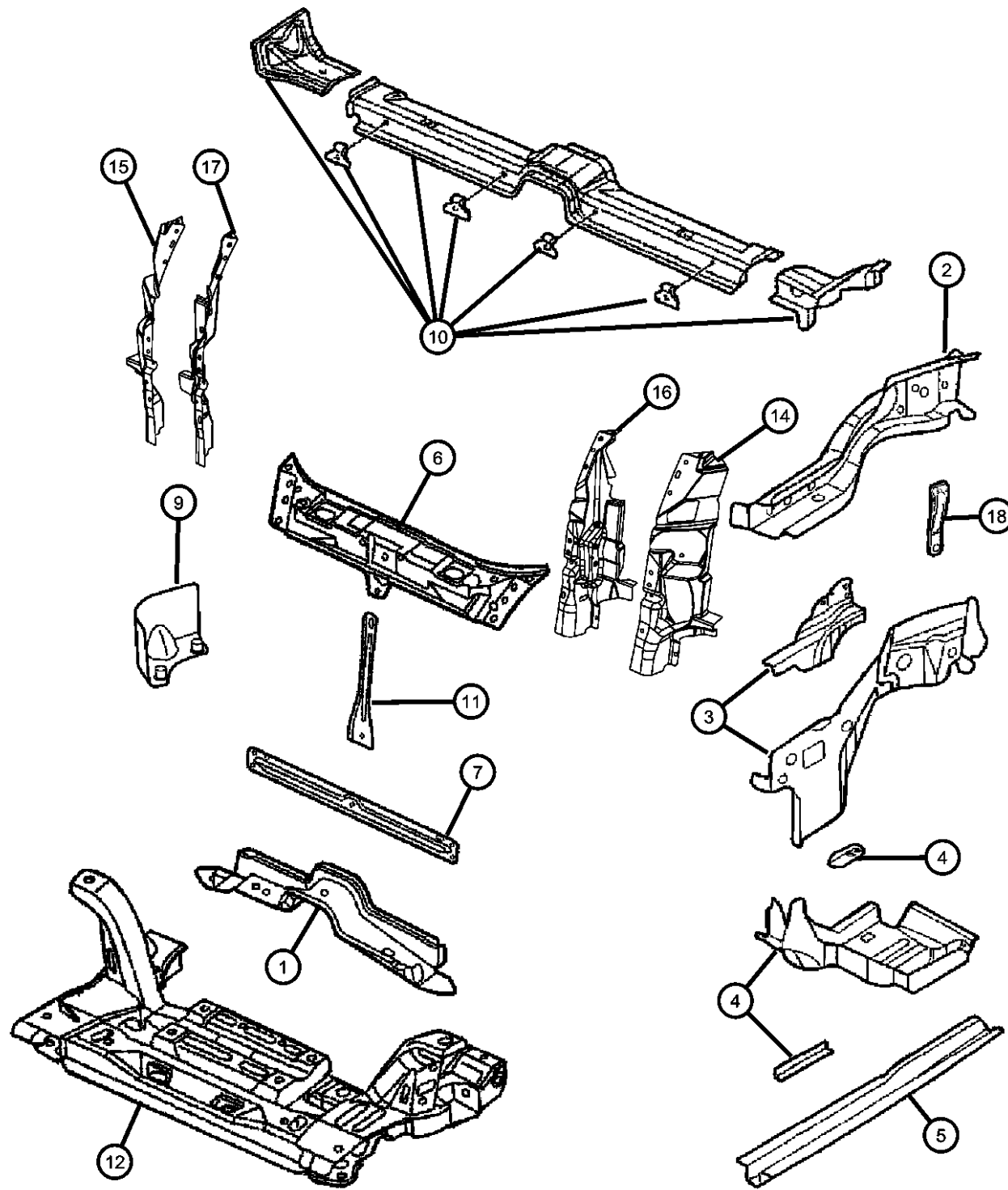
Rear Bumper and Fascia

Fascia, Rear.....Fig. 13 - 305



<p>013-100 Frames</p> 	<p>013-200 Front Bumper and Fascia</p> 	<p>013-300 Rear Bumper and Fascia</p> 	
--	---	---	--

Frame, Front
Figure 13-105



ITEM	PART NUMBER	QTY	LINE	SERIES	BODY	ENGINE	TRANS	TRIM	DESCRIPTION
1	05027429AC	1							CROSSMEMBER, Front Floor
2	04724470AH	1							RAIL, Front Side Rail Front Right
	04724471AH	1							Left
3	04724474AF	1							REINFORCEMENT, Front Side Rail Right
	04724475AF	1							Left
4	05027418AC	1							RAIL, Front Side Rail Rear Right
	05027419AC	1							Left
5	05027416AC	1							EXTENSION, Front Side Rail Right
	05027417AC	1							Left
6	04724509AC	1							CROSSMEMBER, Radiator Closure Panel
7	04724905AC	1	C, Z		44				BRACE, Radiator Closure Panel
		1			27				
-8	05027414AE	1	C						PLATE, Front Siderail Upper, Right
	05027415AE	1							Upper, Left
	05027789AC	1	Z						Upper, Right
9	04724907AB	1							PLATE, Radiator Closure Left
	04724906AB	1							Right
10	05017435AD	1							BEAM, Front Floor Pan
11	04724482AC	1							BRACE, Radiator Crossmember
12	05272888AF	1							CROSSMEMBER, Front Suspension [EJD]
	05272962AD	1							[EDZ,EDT,EDV], Automatic Transmission

PT CRUISER (PT)

SERIES LINE
H = HIGHLINE C = CHRYSLER
P = PREMIUM Z = CHRYSLER (RHD)
S = SPORT
X = SPECIAL

BODY
27 = 2-DR CONVERTIBLE
44 = HATCHBACK/QUAD
CAB CHASSIS LWB

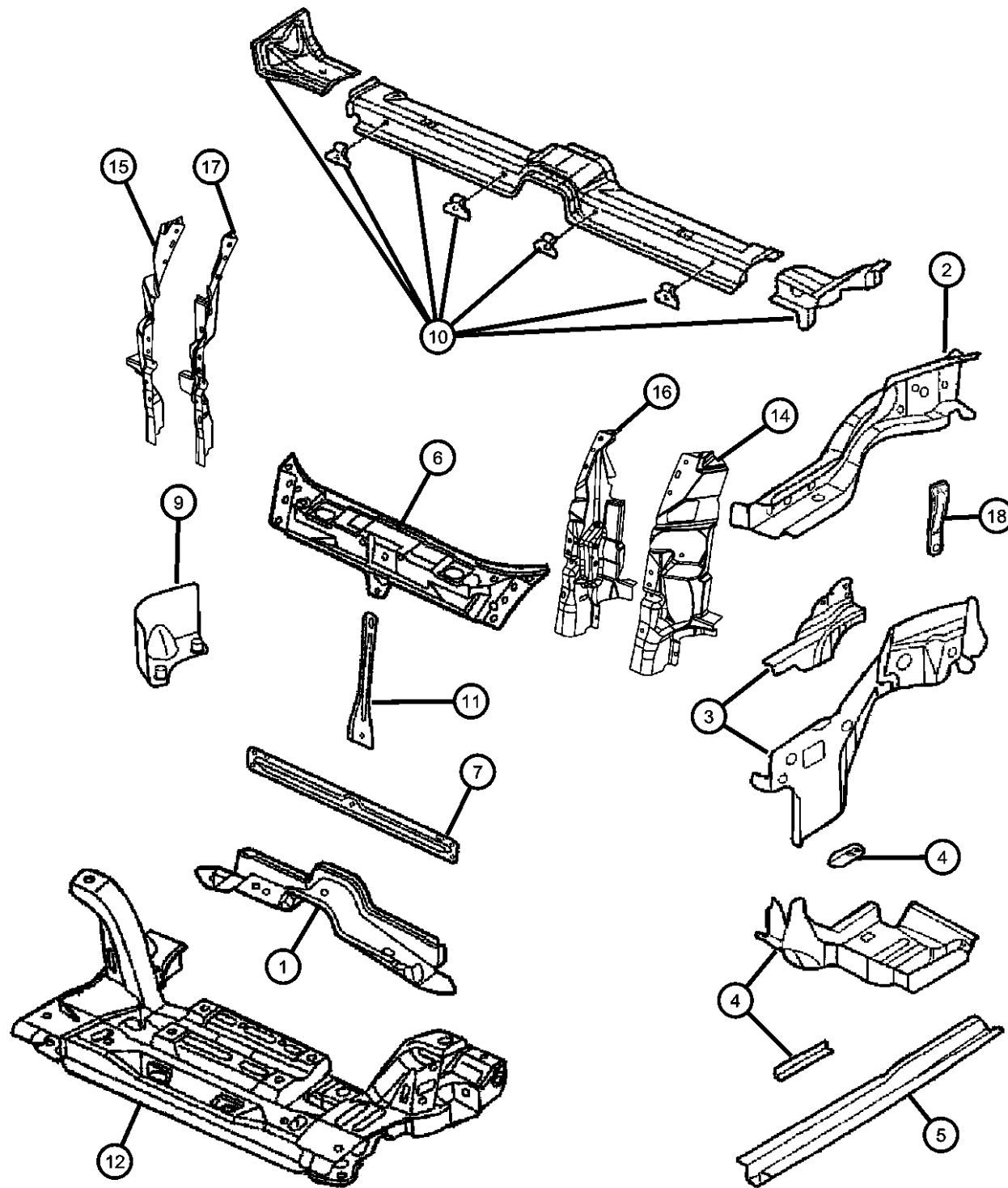
ENGINE
EDJ = 2.2L 4 Cyl Turbo Diesel Engine
EDT = 2.4L 4 Cyl DOHC 16V Turbo Engine
EDV = 2.4L 4 Cyl DOHC 16V HO Turbo Engine
EDZ = 2.4L 4 Cyl DOHC 16V SMPI Engine
EJD = 1.6L 4 Cyl SOHC 16V SMPI

TRANSMISSION
DGL = 4-Speed Automatic Transmission
DD5 = 5-Speed Manual Transmission
DDD = 5-Speed HD Manual Transmission

AR = use ase required - = Non illustrated part

2006 PT

Frame, Front
Figure 13-105



ITEM	PART NUMBER	QTY	LINE	SERIES	BODY	ENGINE	TRANS	TRIM	DESCRIPTION
	05272970AH	1							[EDJ,EDT,EDV], Manual Transmission
-13	04656957AB	1							STRUT, Front Suspension
14	05067588AA	1							PANEL, Radiator ClosureOuter, Right
15	05067589AA	1							PANEL, Radiator ClosureOuter, Left
16	05067586AA	1							PANEL, Radiator ClosureInner Right
17	05067587AA	1							PANEL, Radiator ClosureInner Left
18	05027186AB	2							BRACKET, Tie Down

PT CRUISER (PT)

SERIES LINE
H = HIGHLINE C = CHRYSLER
P = PREMIUM Z = CHRYSLER (RHD)
S = SPORT
X = SPECIAL

BODY
27 = 2-DR CONVERTIBLE
44 = HATCHBACK/QUAD
CAB CHASSIS LWB

ENGINE
EDJ = 2.2L 4 Cyl Turbo Diesel Engine
EDT = 2.4L 4 Cyl DOHC 16V Turbo Engine
EDV = 2.4L 4 Cyl DOHC 16V HO Turbo Engine
EDZ = 2.4L 4 Cyl DOHC 16V SMPI Engine
EJD = 1.6L 4 Cyl SOHC 16V SMPI

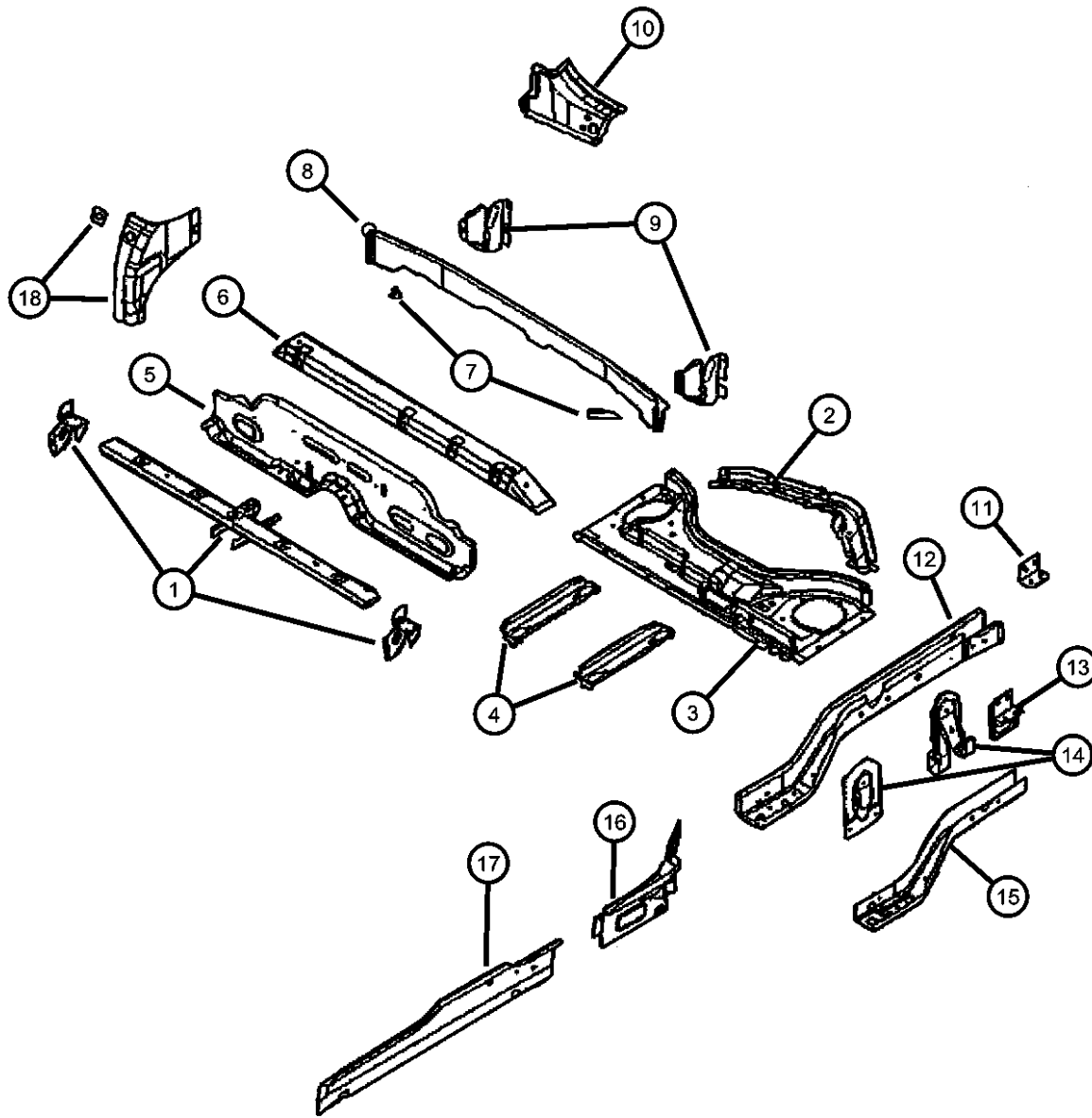
TRANSMISSION
DGL = 4-Speed Automatic Transmission
DD5 = 5-Speed Manual Transmission
DDD = 5-Speed HD Manual Transmission

AR = use ase required - = Non illustrated part

2006 PT

Frame, Rear
Figure 13-110

ITEM	PART NUMBER	QTY	LINE	SERIES	BODY	ENGINE	TRANS	TRIM	DESCRIPTION
1	05017435AD	1							BEAM, Front Floor Pan
2									CROSSMEMBER, Rear Floor
	04724591AD	1							Rear Seat
	05027377AC	1							Front Kick Up
3	04724856AA	1							CROSSMEMBER, Rear Floor, Side Rail Rear Suspension and Fuel Tank Mounting
4	04724856AA	1							REINFORCEMENT, Rear Floor Pan, Fuel Tank Support. Serviced in Floor Pan, (NOT SERVICED)
5	04724856AA	1							CROSSMEMBER, Rear Floor Pan Front, Serviced in Item #4, (NOT SERVICED)
6	05027004AD	1			44				BRACKET, Rear Seat
7	05027006AB	2							LOOP, Cargo Tie Down
8	04724576AB	1							REINFORCEMENT, Floor Pan
9									REINFORCEMENT, Rear Floor Pan Closure To Spare Tire Closure To Spare Tire Closure Panel, Right
	04724860AA	1							To Spare Tire Closure Panel, Left
	04724861AA	1							PANEL, Liftgate Opening Lower Right
	04724584AA	1							Left
	04724585AA	1							TAPPING PLATE, Rear Floor Pan Side Rail, Tow Hook & Ship Tie Down
11	05027188AB	2							RAIL, Rear Floor Pan Side Right
	05017556AD	1							Left
	05017557AD	1							BRACKET, Tie Down
13	05027186AB	2							GUSSET, Side Rail, Shock Mounting Rt and Left. Serviced in Item #10, (NOT SERVICED)
14	05027186AB	2							REINFORCEMENT, Floor Pan Side Rail Rt & Lt. Serviced in Item #10, (NOT SERVICED)
15	05027186AB	2							



PT CRUISER (PT)

SERIES LINE
H = HIGHLINE C = CHRYSLER
P = PREMIUM Z = CHRYSLER (RHD)
S = SPORT
X = SPECIAL

BODY
27 = 2-DR CONVERTIBLE
44 = HATCHBACK/QUAD
CAB CHASSIS LWB

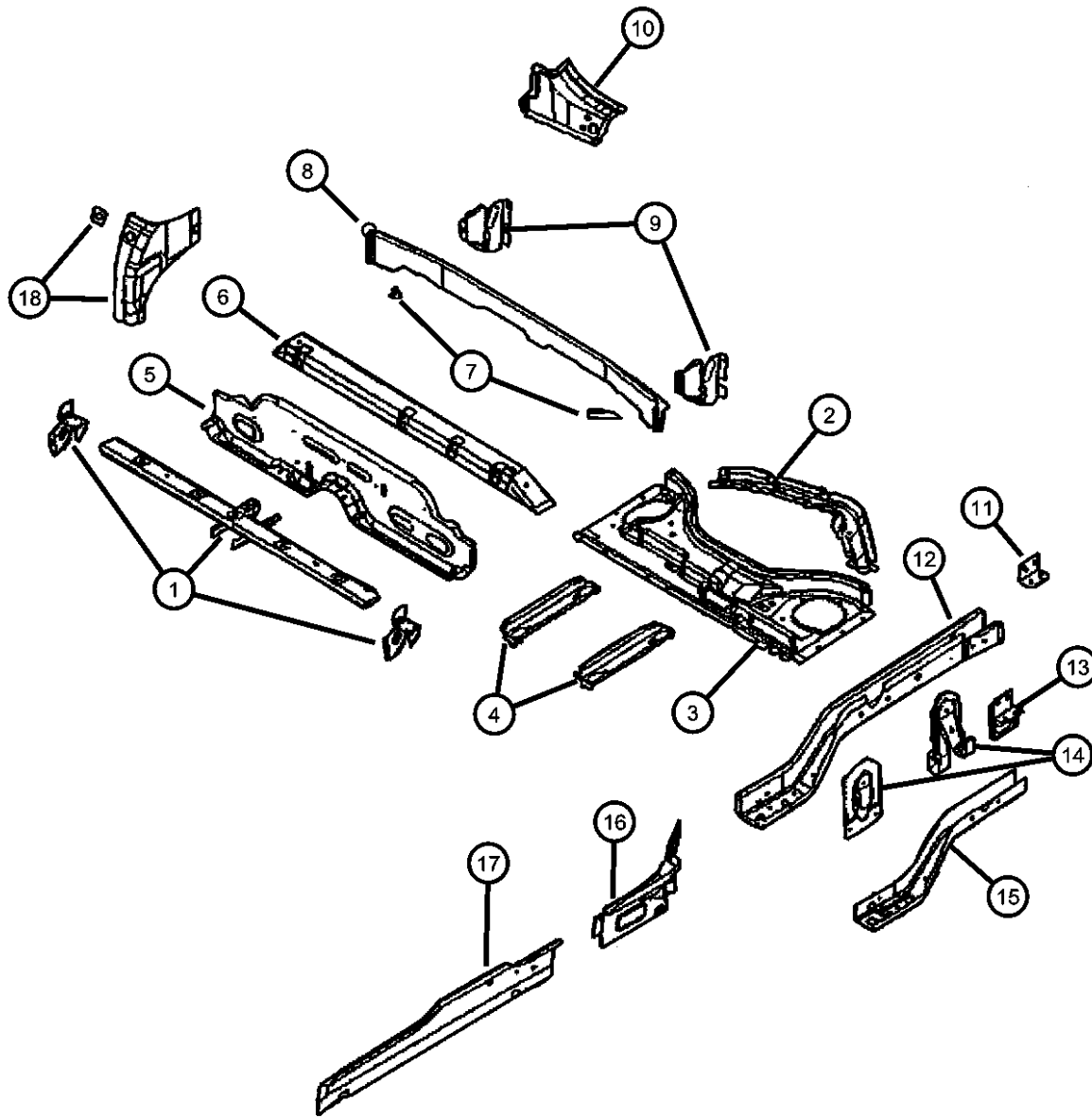
ENGINE TRANSMISSION
EDJ = 2.2L 4 Cyl Turbo Diesel Engine
EDT = 2.4L 4 Cyl DOHC 16V Turbo Engine
EDV = 2.4L 4 Cyl DOHC 16V HO Turbo Engine
EDZ = 2.4L 4 Cyl DOHC 16V SMPI Engine
EJD = 1.6L 4 Cyl SOHC 16V SMPI
DGL = 4-Speed Automatic Transmission
DD5 = 5-Speed Manual Transmission
DDD = 5-Speed HD Manual Transmission

AR = use ase required - = Non illustrated part

2006 PT

Frame, Rear
Figure 13-110

ITEM	PART NUMBER	QTY	LINE	SERIES	BODY	ENGINE	TRANS	TRIM	DESCRIPTION
16	05027186AB	2							PANEL, Body Side Sill Inner, Serviced in Item #13, (NOT SERVICED)
17	04724500AB	1			44				PANEL, Body Side Sill Inner Right
	04724501AB	1			44				Left
18	05017436AB	1							EXTENSION, Wheel House Right
	05017437AB	1							Left



PT CRUISER (PT)

SERIES LINE
H = HIGHLINE C = CHRYSLER
P = PREMIUM Z = CHRYSLER (RHD)
S = SPORT
X = SPECIAL

BODY
27 = 2-DR CONVERTIBLE
44 = HATCHBACK/QUAD
CAB CHASSIS LWB

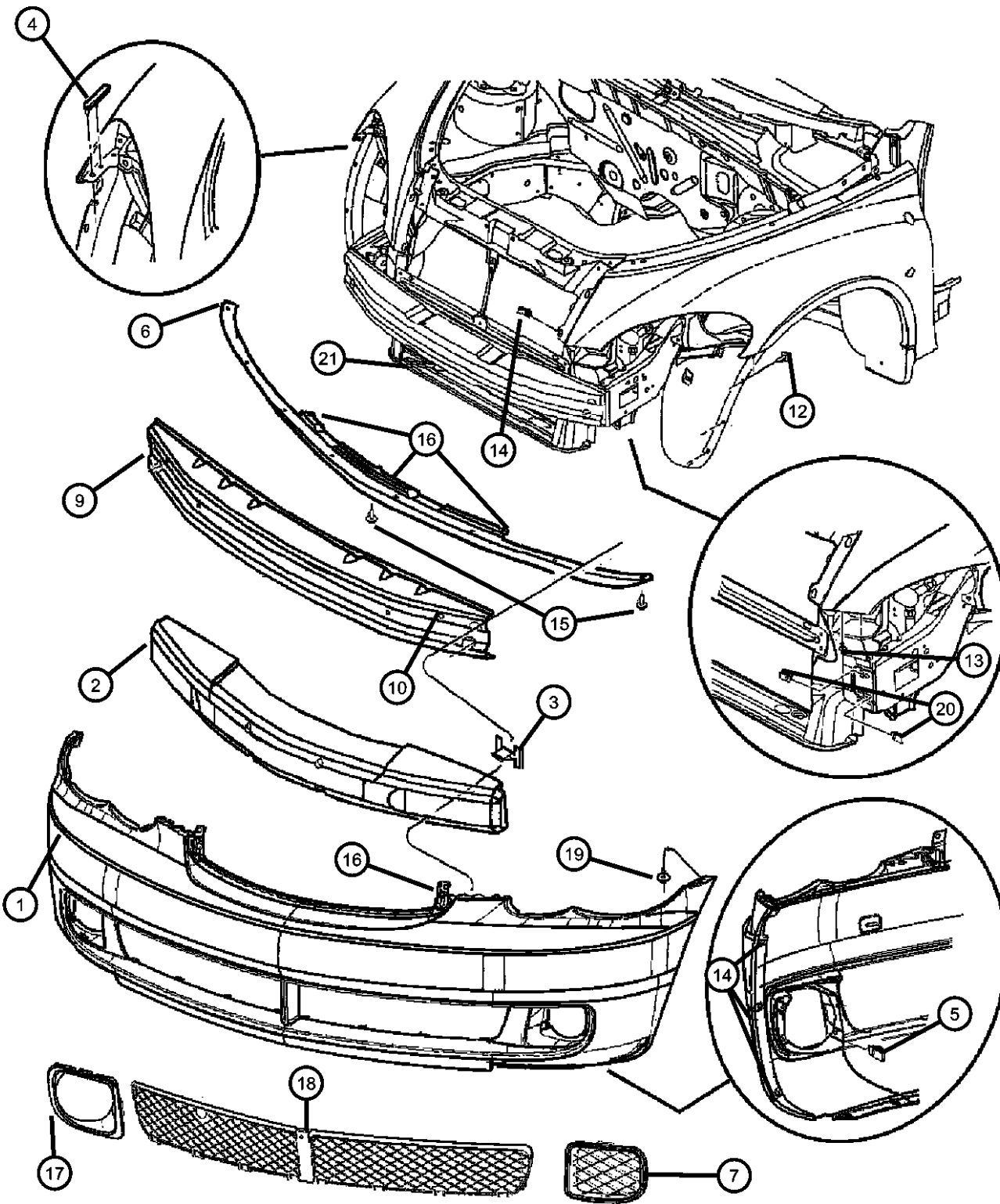
ENGINE
EDJ = 2.2L 4 Cyl Turbo Diesel Engine
EDT = 2.4L 4 Cyl DOHC 16V Turbo Engine
EDV = 2.4L 4 Cyl DOHC 16V HO Turbo Engine
EDZ = 2.4L 4 Cyl DOHC 16V SMPI Engine
EJD = 1.6L 4 Cyl SOHC 16V SMPI

TRANSMISSION
DGL = 4-Speed Automatic Transmission
DD5 = 5-Speed Manual Transmission
DDD = 5-Speed HD Manual Transmission

AR = use ase required - = Non illustrated part

2006 PT

Fascia, Front
Figure 13-205



ITEM	PART NUMBER	QTY	LINE	SERIES	BODY	ENGINE	TRANS	TRIM	DESCRIPTION
1	05179104AA	1							FASCIA, Front, Primed, Will Include Items 2 And 3
2	05116156AB	1							FOAM, Front Bumper Fascia
3	05303389AA	2							CLIP, Molding
4	05288791AA	2							RETAINER, Fascia
5	06036179AA	4							CLIP, U Type, Without Fog Lamps
6	05116157AA	1							AIR DAM
7									PLUG, Fog Lamp Hole
	05116214AB	1							Without Fog Lamps, Right
	05116215AB	1							Without Fog Lamps, Left
-8	06505468AA	6							NUT, U Multi Thread, Fog Lamp to Fascia
9									REINFORCEMENT, Front Bumper
	05288789AD	1							With [XEA or XES]
	05303438AG	1							With [XEA or XES]
10									SCREW AND WASHER, Hex Head, M8x1.25x25
	06101793	4							Reinforcement to Rail
		2							Reinforcement to Side Rail
-11									LICENSE PLATE, Package
	05116153AA	1							With Sales Code [MDA]
	05116154AA	1							With Sales Code [MDD]
	05116155AA	1							With Sales Code [MDE]
12	06505628AA	6							SCREW AND WASHER, Tapping Hex Head, M4.2x1.41x20, Fascia to Splash Shield Attaching
13	04805405AB	4							FASTENER, Fascia
14									NUT, U Multi Thread, M4.2x1.41
	06507010AA	8							
		2							
15	06504555	5							PIN, Push, M8x21, Fascia to Air Dam
16									SCREW AND WASHER, Tapping Hex Head, M4.2x1.41x20
	06506161AA	3							Air Dam to Crossmember

PT CRUISER (PT)

SERIES LINE
H = HIGHLINE C = CHRYSLER
P = PREMIUM Z = CHRYSLER (RHD)
S = SPORT
X = SPECIAL

BODY
27 = 2-DR CONVERTIBLE
44 = HATCHBACK/QUAD
CAB CHASSIS LWB

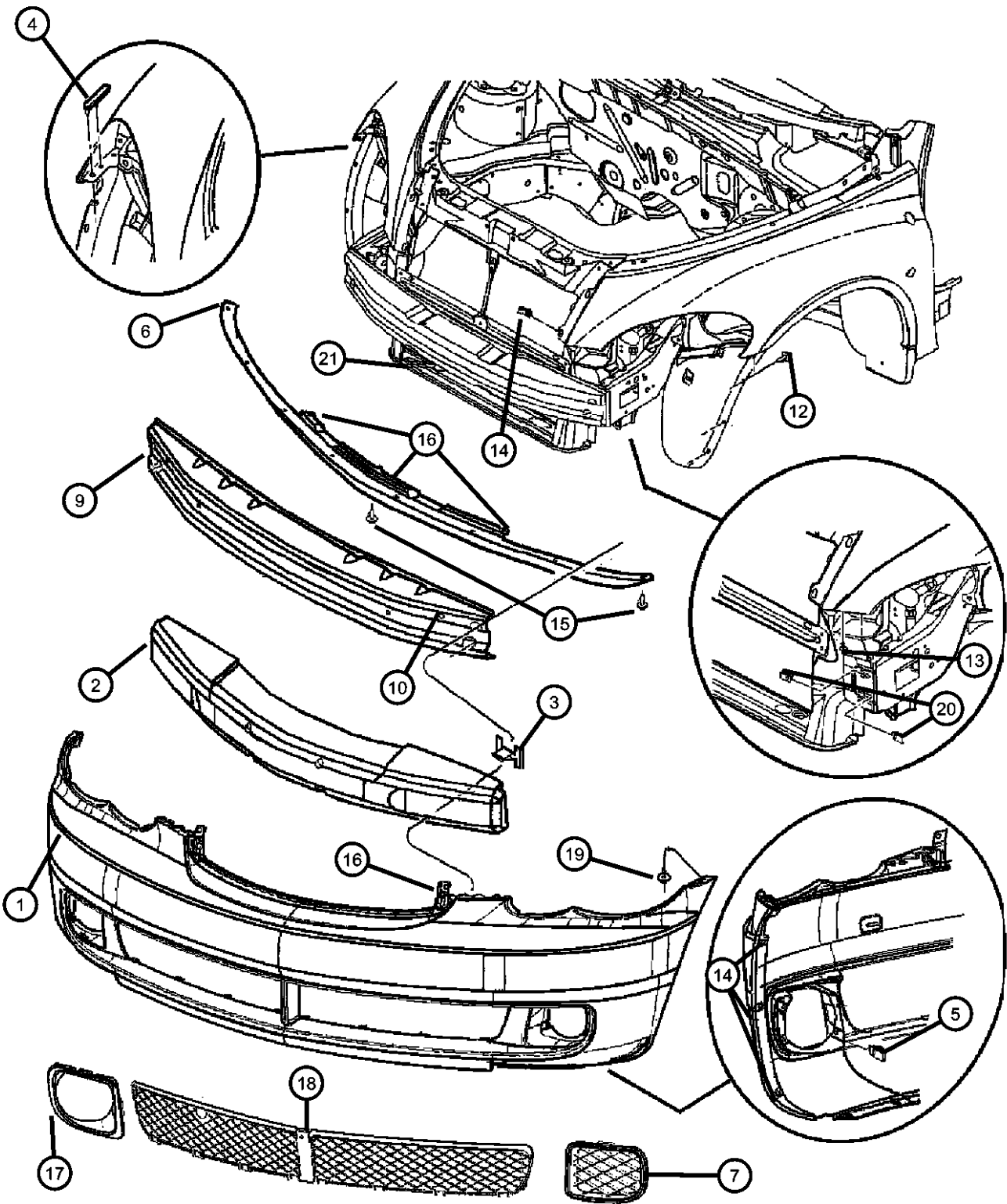
ENGINE
EDJ = 2.2L 4 Cyl Turbo Diesel Engine
EDT = 2.4L 4 Cyl DOHC 16V Turbo Engine
EDV = 2.4L 4 Cyl DOHC 16V HO Turbo Engine
EDZ = 2.4L 4 Cyl DOHC 16V SMPI Engine
EJD = 1.6L 4 Cyl SOHC 16V SMPI

TRANSMISSION
DGL = 4-Speed Automatic Transmission
DD5 = 5-Speed Manual Transmission
DDD = 5-Speed HD Manual Transmission

AR = use ase required - = Non illustrated part

2006 PT

Fascia, Front
Figure 13-205



ITEM	PART NUMBER	QTY	LINE	SERIES	BODY	ENGINE	TRANS	TRIM	DESCRIPTION
17		2							BEZEL, Fog Lamp
	05116212AB	1							Right
	05116213AB	1							Left
18	05152033AA	1							GRILLE, Lower
19	05096978AA	4							NUT, Hex, M6
20	06503195	4							NUT
21	05027984AD	1							CROSSMEMBER, RadiatorLower

PT CRUISER (PT)

SERIES LINE
H = HIGHLINE C = CHRYSLER
P = PREMIUM Z = CHRYSLER (RHD)
S = SPORT
X = SPECIAL

BODY
27 = 2-DR CONVERTIBLE
44 = HATCHBACK/QUAD
CAB CHASSIS LWB

ENGINE
EDJ = 2.2L 4 Cyl Turbo Diesel Engine
EDT = 2.4L 4 Cyl DOHC 16V Turbo Engine
EDV = 2.4L 4 Cyl DOHC 16V HO Turbo Engine
EDZ = 2.4L 4 Cyl DOHC 16V SMPI Engine
EJD = 1.6L 4 Cyl SOHC 16V SMPI

TRANSMISSION
DGL = 4-Speed Automatic Transmission
DD5 = 5-Speed Manual Transmission
DDD = 5-Speed HD Manual Transmission

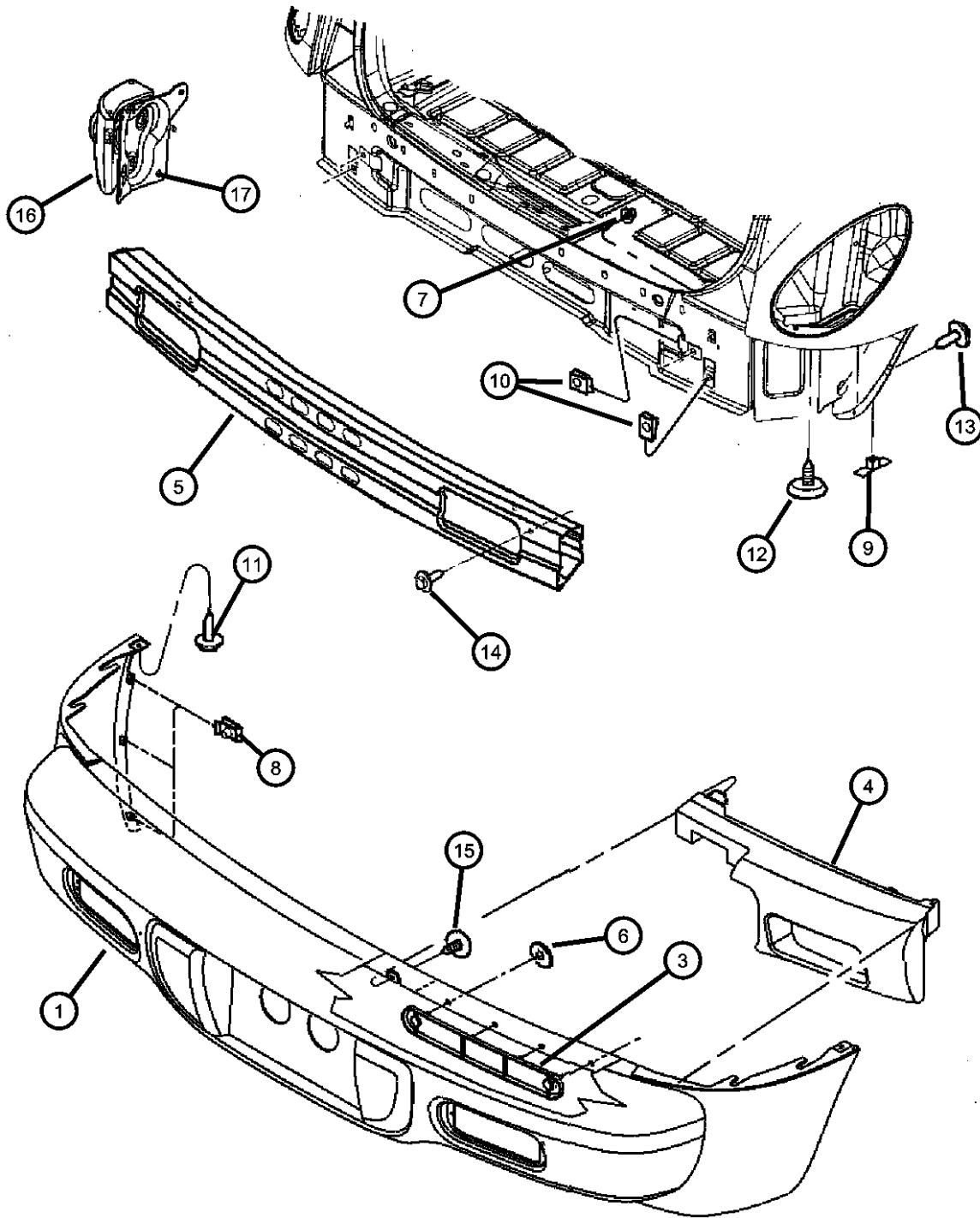
AR = use ase required - = Non illustrated part

2006 PT

Fascia, Rear
Figure 13-305

ITEM	PART NUMBER	QTY	LINE	SERIES	BODY	ENGINE	TRANS	TRIM	DESCRIPTION
------	-------------	-----	------	--------	------	--------	-------	------	-------------

Sales Codes:
[MLN] = Fascia - Rear Body Color
[MLR] = Fascia - Rear, Painted



1	0ZG96TZZAC	1							FASCIA, Rear, Primed With Sales Code [MLN]
	0ZG97TZZAC	1							With Sales Code [MLR], With Wide License Plate Opening
-2	05288487	1							BRACKET, License Plate, Japan
3	05288891AA	2							RETAINER, Rear Fascia, Rear Closure
4	05116170AB	1							FOAM, Rear Bumper Fascia [MLN], Right
	05116171AB	1							[MLN], Left
	05116173AB	1							[MLR], Left
	05116172AB	1							[MLR], Right
5	05288785AD	1							REINFORCEMENT, Rear Bumper
6	06100840	4							NUT, Spring, Stud Plate to Rear Fascia
7	06501730	4							NUT, Retainer, M6 x 1.00
8	06506161AA	2							SCREW AND WASHER, Tapping Hex Head, M4.2x1.41x20, Rear Fascia to Fender
9	06506161AA	2							NUT, Spring, (NOT SERVICED)
10	06503195	4							NUT, Bulkhead/Beam
11	06507010AA	2							NUT, U Multi Thread, M4.2x1.41, Rear Fascia to Splash Shield
12	04805405AB	4							FASTENER, Fascia
13	06505628AA	10							SCREW AND WASHER, Tapping Hex Head, M4.2x1.41x20, Splash Shield to Fascia
14	06101793	4							SCREW AND WASHER, Hex Head, M8x1.25x25, Rear Reinforcement to Floor Pan
15	06101793	4							SCREW AND WASHER, Hex Head, M8x1.25x25
16	05067574AA	1				27			DAMPER, Mass
17	05097692AA	4				27			SCREW, M8x20, Damper mounting

PT CRUISER (PT)

SERIES LINE
H = HIGHLINE C = CHRYSLER
P = PREMIUM Z = CHRYSLER (RHD)
S = SPORT
X = SPECIAL

BODY
27 = 2-DR CONVERTIBLE
44 = HATCHBACK/QUAD
CAB CHASSIS LWB

ENGINE
EDJ = 2.2L 4 Cyl Turbo Diesel Engine
EDT = 2.4L 4 Cyl DOHC 16V Turbo Engine
EDV = 2.4L 4 Cyl DOHC 16V HO Turbo Engine
EDZ = 2.4L 4 Cyl DOHC 16V SMPI Engine
EJD = 1.6L 4 Cyl SOHC 16V SMPI

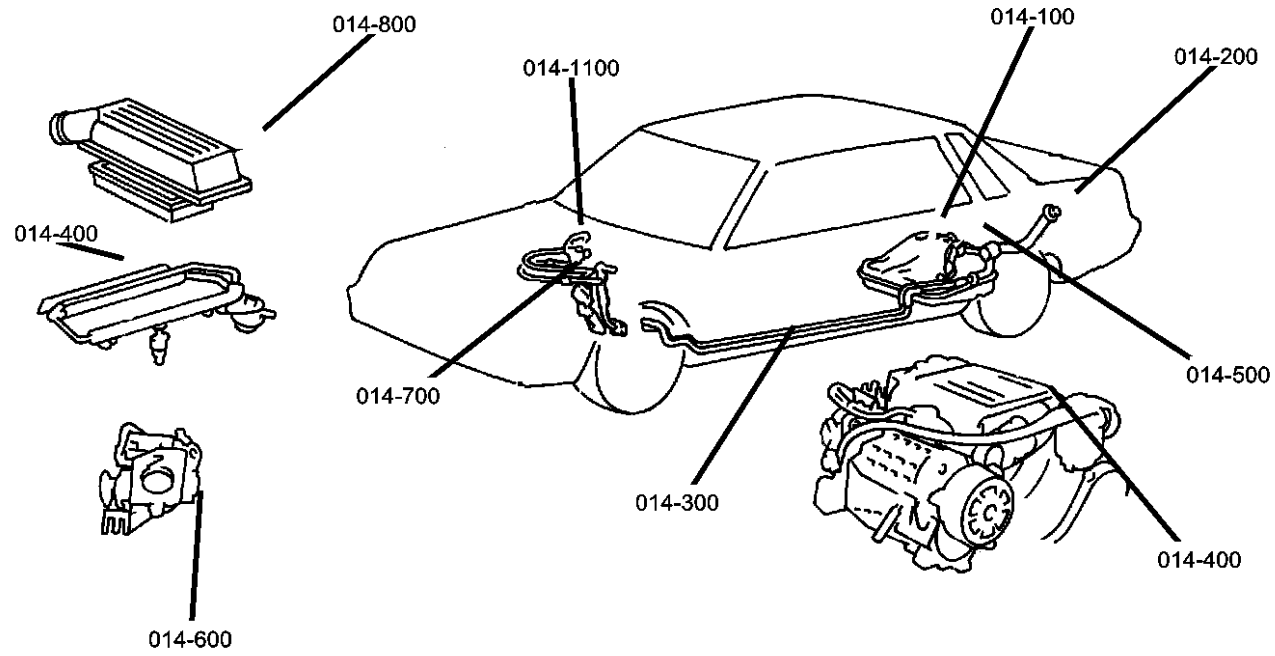
TRANSMISSION
DGL = 4-Speed Automatic Transmission
DD5 = 5-Speed Manual Transmission
DDD = 5-Speed HD Manual Transmission

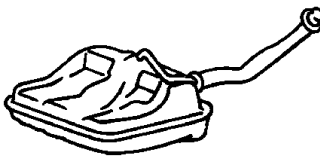
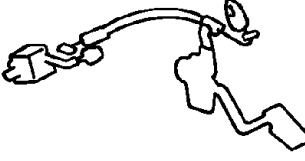


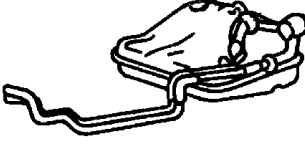
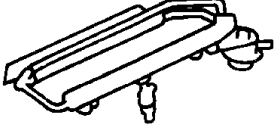
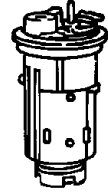

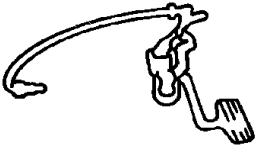
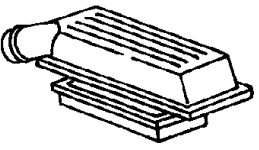
AR = use ase required - = Non illustrated part

2006 PT

Group - 14

Fuel

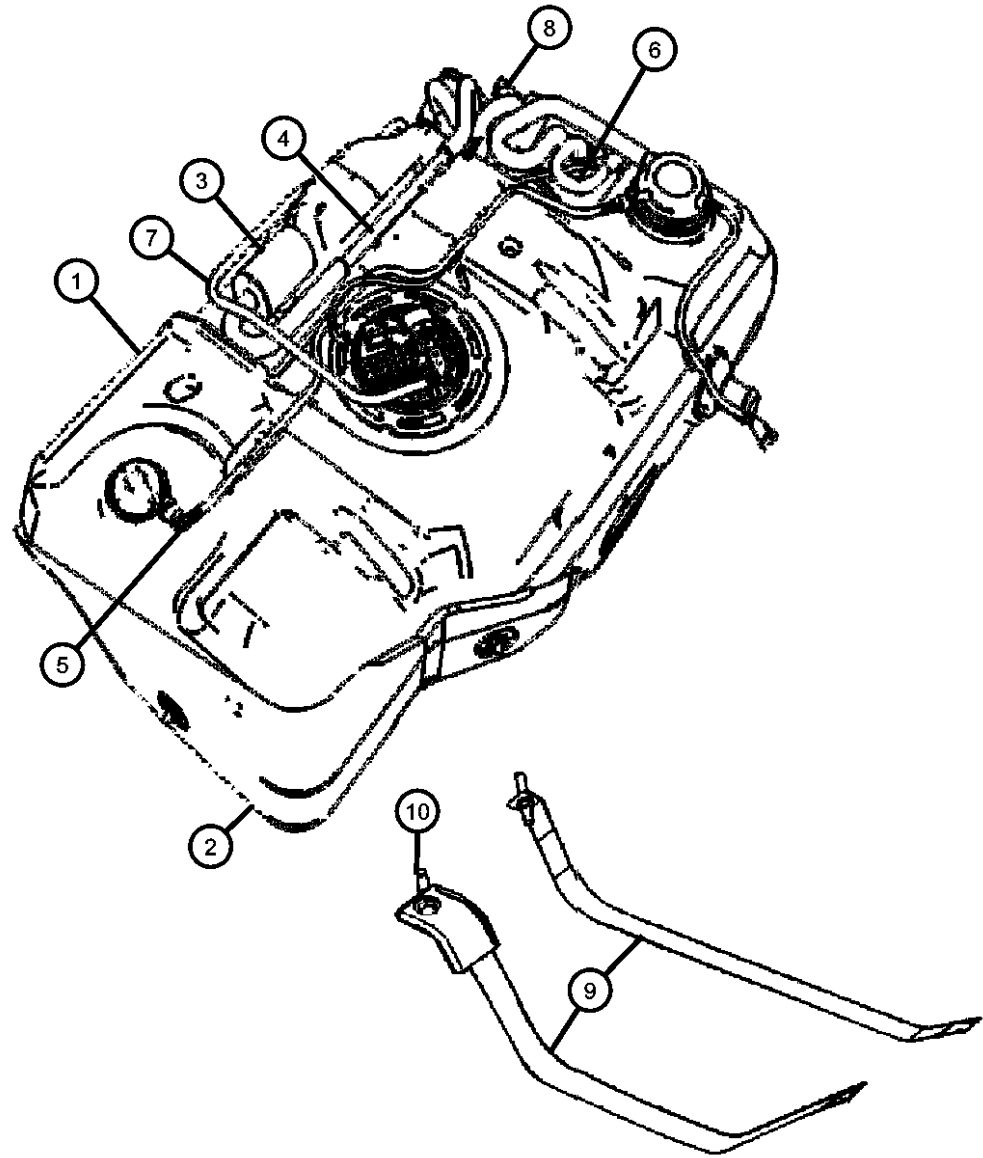


<p>014-100 Tank, Fuel</p> 	<p>014-1000 Speed Control</p> 	<p>014-1100 Accelerator Pedal</p> 	<p>014-200 Fuel Tank Filler Tube</p> 
<p>014-300 Fuel Lines</p> 	<p>014-400 Fuel Rail</p> 	<p>014-500 Fuel Pump and Sending Unit</p> 	<p>014-600 Throttle Body</p> 
<p>014-700 Throttle Controls</p> 	<p>014-800 Air Cleaner</p> 		

Group - 14 Fuel

Illustration Title	Group-Fig. No.
Tank, Fuel	
Fuel Tank	Fig. 14 - 110
Fuel Tank Diesel [EDJ]	Fig. 14 - 115
Fuel Tank Filler Tube	
Fuel Filler Tube	Fig. 14 - 210
Fuel Lines	
Fuel Lines	Fig. 14 - 310
Fuel/Water Seperator [EDJ]	Fig. 14 - 320
Fuel Rail	
Fuel Rail [EJD,EDZ,EDT,EDV]	Fig. 14 - 410
Fuel Rail [EDJ]	Fig. 14 - 415
Fuel Pump and Sending Unit	
Fuel Pump and Sending Unit	Fig. 14 - 510
Throttle Body	
Throttle Body [EJD,EDZ,EDT,EDV]	Fig. 14 - 610
Bellcrank [EDJ,EJD]	Fig. 14 - 620
Turbocharger/Manifold [EDV,EDT,EDJ]	Fig. 14 - 630
Throttle Controls	
Throttle Controls	Fig. 14 - 710
Throttle Control Brackets	Fig. 14 - 715
Air Cleaner	
Air Cleaner	Fig. 14 - 810
Speed Control	
Speed Control	Fig. 14 - 1010
Accelerator Pedal	
Accelerator Pedal	Fig. 14 - 1110

Fuel Tank
Figure 14-110



ITEM	PART NUMBER	QTY	LINE	SERIES	BODY	ENGINE	TRANS	TRIM	DESCRIPTION
1	05085019AB	1				EDT, EDV			TANK, Fuel
		1				EDZ, EJD			
		1				EDZ			
2	05278546AA	1				EDT, EDV			SHIELD, Fuel Tank Heat
		1				EDZ, EJD			
		1				EDZ			
3	05085164AA	1				EDT, EDV			FILTER, Leak Detection Pump
		1				EDZ, EJD			
		1				EDZ			
4	05085030AA	1				EDT, EDV			TUBE, NVLD to Fuel Vapor Vent Filter
		1				EDZ			
5	05085025AB	1				EDT, EDV			TUBE, Fuel Vapor
		1				EDZ, EJD			
		1				EDZ			
6	05085024AC	1				EDT, EDV			HOSE, Fuel Vapor
		1				EDZ, EJD			
		1				EDZ			
7	05085023AA	1				EDT, EDV			TUBE, Fuel Supply
		1				EDZ, EJD			
		1				EDZ			

PT CRUISER (PT)

SERIES LINE
H = HIGHLINE C = CHRYSLER
P = PREMIUM Z = CHRYSLER (RHD)
S = SPORT
X = SPECIAL

BODY
27 = 2-DR CONVERTIBLE
44 = HATCHBACK/QUAD
CAB CHASSIS LWB

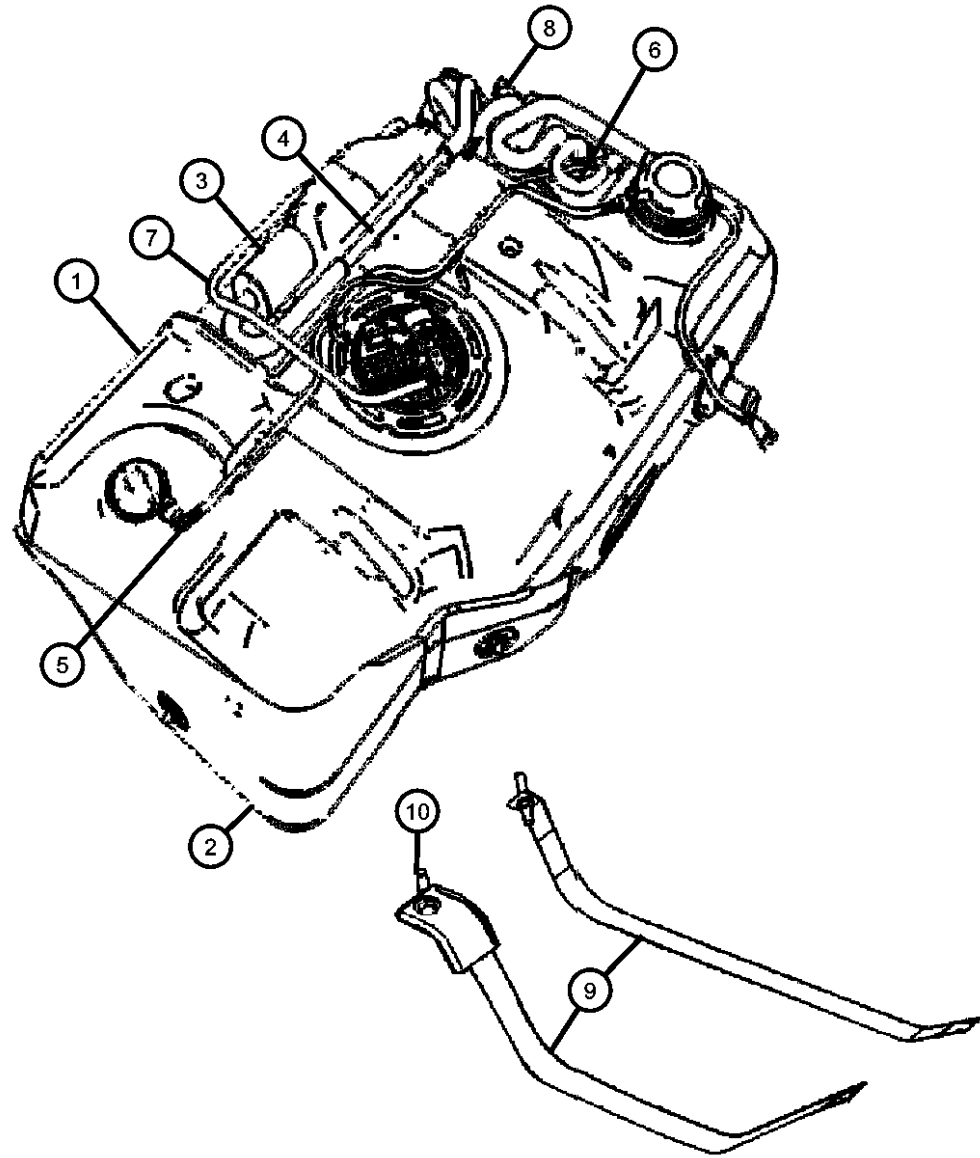
ENGINE
EDJ = 2.2L 4 Cyl Turbo Diesel Engine
EDT = 2.4L 4 Cyl DOHC 16V Turbo Engine
EDV = 2.4L 4 Cyl DOHC 16V HO Turbo Engine
EDZ = 2.4L 4 Cyl DOHC 16V SMPI Engine
EJD = 1.6L 4 Cyl SOHC 16V SMPI

TRANSMISSION
DGL = 4-Speed Automatic Transmission
DD5 = 5-Speed Manual Transmission
DDD = 5-Speed HD Manual Transmission

AR = use ase required - = Non illustrated part

Fuel Tank
Figure 14-110

ITEM	PART NUMBER	QTY	LINE	SERIES	BODY	ENGINE	TRANS	TRIM	DESCRIPTION
8	04795839AA	1				EDT, EDV			WIRING, Fuel Tank
		1				EDZ			
9	05278184AB	1							STRAP, Fuel Tank Right
	05278185AB	1							Left
10	05278185AB	1							SCREW, (NOT SERVICED)



PT CRUISER (PT)

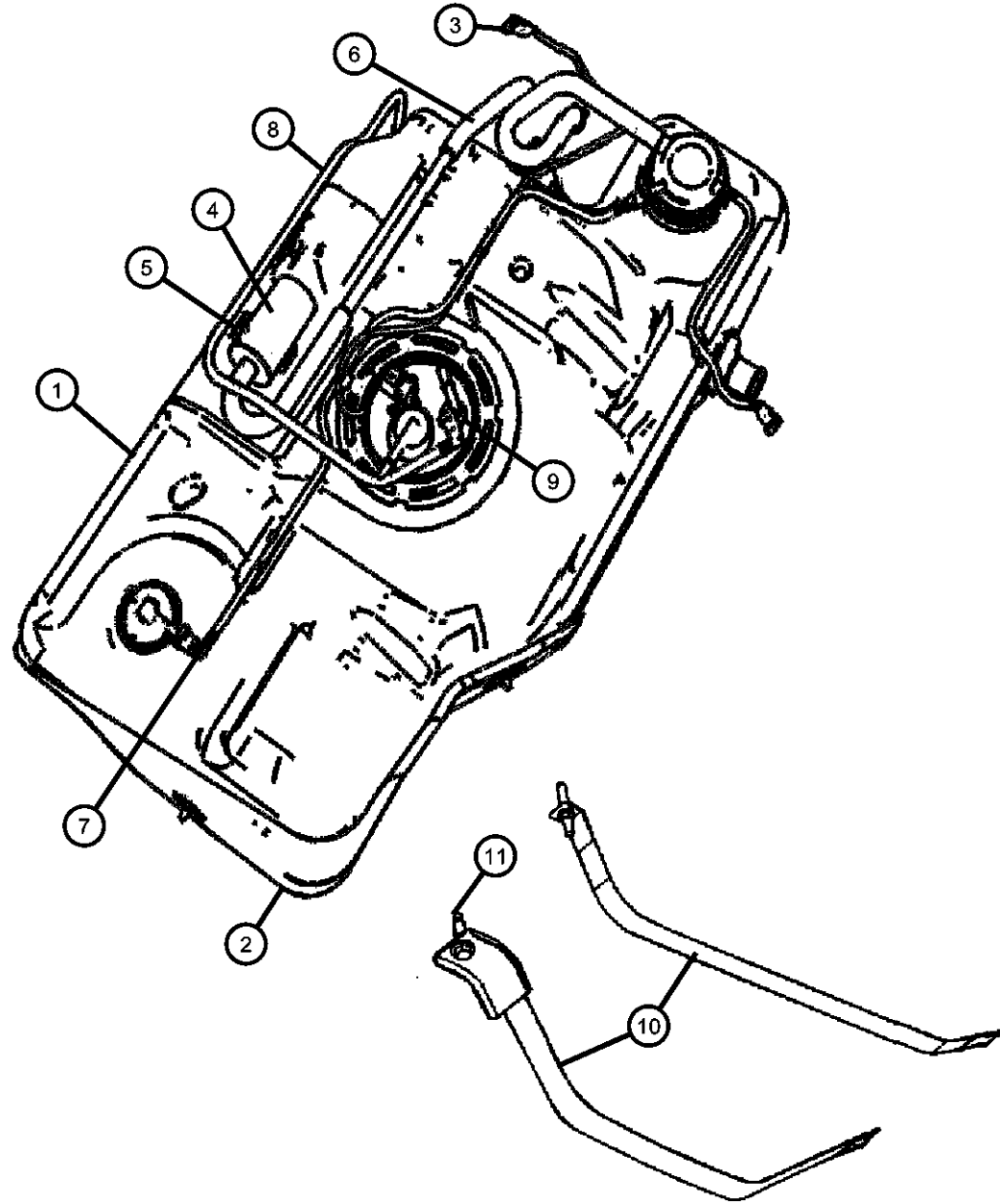
SERIES LINE
H = HIGHLINE C = CHRYSLER
P = PREMIUM Z = CHRYSLER (RHD)
S = SPORT
X = SPECIAL

BODY
27 = 2-DR CONVERTIBLE
44 = HATCHBACK/QUAD
CAB CHASSIS LWB

ENGINE TRANSMISSION
EDJ = 2.2L 4 Cyl Turbo Diesel Engine DGL = 4-Speed Automatic Transmission
EDT = 2.4L 4 Cyl DOHC 16V Turbo Engine DD5 = 5-Speed Manual Transmission
EDV = 2.4L 4 Cyl DOHC 16V Turbo Engine DDD = 5-Speed HD Manual Transmission
EDZ = 2.4L 4 Cyl DOHC 16V SMPI Engine
EJD = 1.6L 4 Cyl SOHC 16V SMPI

AR = use ase required - = Non illustrated part

Fuel Tank Diesel [EDJ]
Figure 14-115



ITEM	PART NUMBER	QTY	LINE	SERIES	BODY	ENGINE	TRANS	TRIM	DESCRIPTION
1	05085019AC	1				EDJ			TANK, Fuel
2	05278546AA	1				EDJ			SHIELD, Fuel Tank Heat
3	05273626AB	1				EDJ			TUBE, Fuel Return
4	05085164AA	1				EDJ			FILTER, Leak Detection Pump
5	06101221	1				EDJ			SCREW AND WASHER, Hex Head, M6x1x12
6	05273627AA	1				EDJ			TUBE, NVLD Filter
7	05085025AB	1				EDJ			TUBE, Fuel Vapor
8	05273622AB	1				EDJ			TUBE, Fuel Supply
9	04795840AA	1				EDJ			WIRING, Fuel Tank
10									STRAP, Fuel Tank
	05278184AB	1							Right
	05278185AB	1							Left
11	05278185AB	1							SCREW, (NOT SERVICED)

PT CRUISER (PT)

SERIES LINE
H = HIGHLINE C = CHRYSLER
P = PREMIUM Z = CHRYSLER (RHD)
S = SPORT
X = SPECIAL

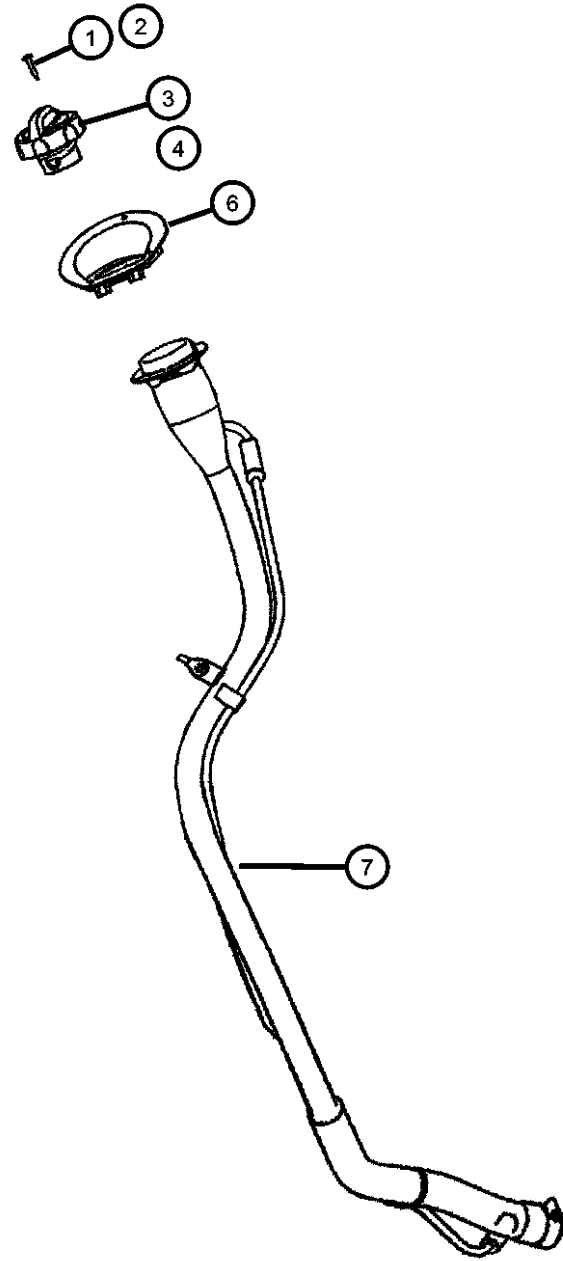
BODY
27 = 2-DR CONVERTIBLE
44 = HATCHBACK/QUAD
CAB CHASSIS LWB

ENGINE
EDJ = 2.2L 4 Cyl Turbo Diesel Engine
EDT = 2.4L 4 Cyl DOHC 16V Turbo Engine
EDV = 2.4L 4 Cyl DOHC 16V HO Turbo Engine
EDZ = 2.4L 4 Cyl DOHC 16V SMPI Engine
EJD = 1.6L 4 Cyl SOHC 16V SMPI

TRANSMISSION
DGL = 4-Speed Automatic Transmission
DD5 = 5-Speed Manual Transmission
DDD = 5-Speed HD Manual Transmission

AR = use ase required - = Non illustrated part

Fuel Filler Tube
Figure 14-210



ITEM	PART NUMBER	QTY	LINE	SERIES	BODY	ENGINE	TRANS	TRIM	DESCRIPTION
NOTE: Locking Gas Cap cannot be rekeyed after assy. 5015636AB is a package containing Gas Cap and Lock Cylinder Uninstalled. Dealer Resp Note;Sales Codes;									
1	06036566AA	3							SCREW, Tapping Pan Head, .190-16x1.00, Fuel Filler Tube To Fuel Housing
2	00154806	1							SCREW, Round Head, .164-15x1.00, Housing to Quarter Panel
3	04578235AB	1				EDT, EDV, EDZ			CAP, Fuel Filler
4	05015636AB	1				EDJ, EJD			CAP KIT, Fuel Tank Locking TETHER, Fuel Filler Cap
-5	04682676	1				EDT, EDV, EDZ			Without Locking Cap
	05278461AA	1				EDJ, EJD			Without Locking Cap
6	05278509AB	1							With Locking Cap
7	05278509AB	1							HOUSING, Fuel Filler Tube
	05085899AC	1			27	EDT, EDV, EDZ			TUBE, Fuel Filler
	05273573AA	1				EDJ			
	05278936AE	1			44	EDT, EDV, EDZ			
		1			44	EJD			

PT CRUISER (PT)

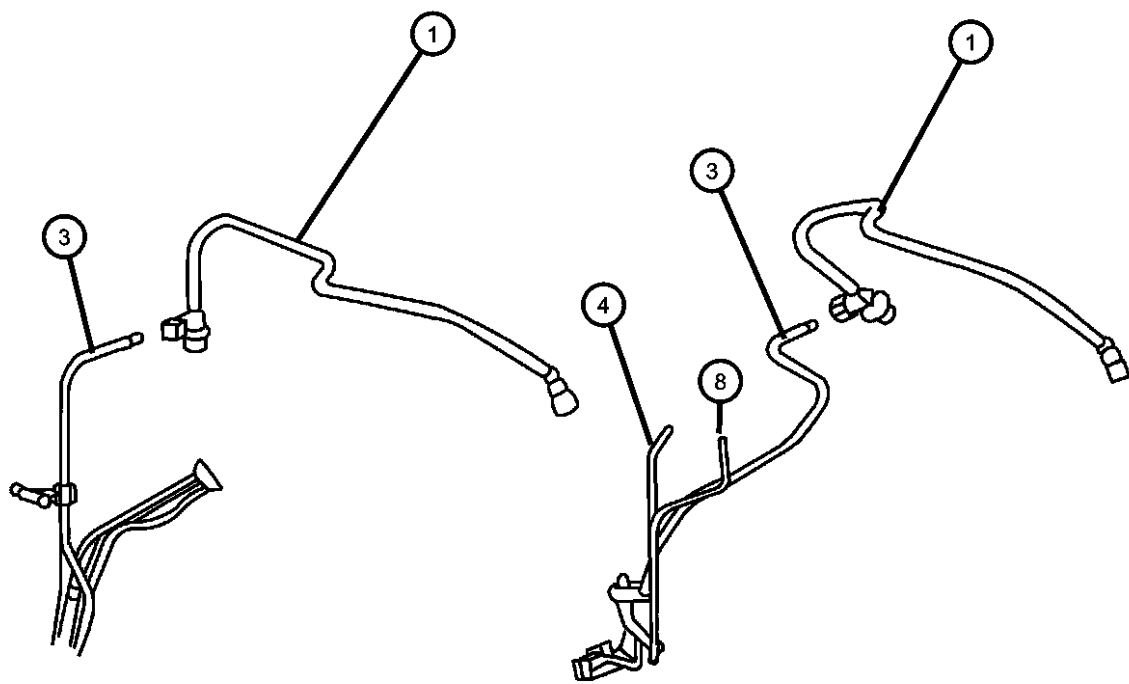
SERIES LINE
H = HIGHLINE C = CHRYSLER
P = PREMIUM Z = CHRYSLER (RHD)
S = SPORT
X = SPECIAL

BODY
27 = 2-DR CONVERTIBLE
44 = HATCHBACK/QUAD
CAB CHASSIS LWB

ENGINE
EDJ = 2.2L 4 Cyl Turbo Diesel Engine
EDT = 2.4L 4 Cyl DOHC 16V Turbo Engine
EDV = 2.4L 4 Cyl DOHC 16V HO Turbo Engine
EDZ = 2.4L 4 Cyl DOHC 16V SMPI Engine
EJD = 1.6L 4 Cyl SOHC 16V SMPI

TRANSMISSION
DGL = 4-Speed Automatic Transmission
DD5 = 5-Speed Manual Transmission
DDD = 5-Speed HD Manual Transmission

Fuel Lines
Figure 14-310



ITEM	PART NUMBER	QTY	LINE	SERIES	BODY	ENGINE	TRANS	TRIM	DESCRIPTION
									NOTE: Sales Codes; [EDJ]= 2.2L 4 Cylinder Turbo Diesel Engines [EDT]= 2.4L I-4 DOHC 16 Valve Turbo Engines [EDV]= 2.4L I-4 DOHC 16 Valve High Output Turbo Engines [EDZ]= 2.4L 4 Cylinder DOHC 16 Valve SMPI Engines [EJD]= 1.6L 4 Cylinder SOHC 16 Valve SMPI Engines
1									TUBE, Fuel Supply
	05085033AB	1	C			EDT, EDV			
	05085443AB	1	Z			EDZ			
	05085555AB	1	C			EDZ			
	05273772AA	1	C			EDJ			Seperator to Chassis
	05273773AA	1	Z		44	EDJ			Seperator to Chassis
	05278658AC	1	C			EJD			
-2	05085383AA	1	C			EDZ			CLIP, Fuel
3									TUBE, Fuel Supply
	05086654AB	1	C			EDT, EDV			With ABS
	05143278AB	1	C			EDZ, EJD			
4									TUBE, Fuel Vapor
	05126312AA	1	C			EDT, EDV			
		1	C			EDZ			
	05143285AA	1	Z			EDZ			
-5									TUBE, Fuel Supply
	05085023AA	1				EDT, EDV			Tank to Chassis
		1				EDZ, EJD			Tank to Chassis
-6									CLIP, Fuel Tube
	04495636	3	C			EDJ			Rail Kickup
		3	C			EDT, EDV			Rail Kickup
		3	C			EDZ, EJD			Rail Kickup
	05278179AB	1	C			EDZ, EJD			Dash 7 Tube
		1	C			EDZ			Dash 7 Tube
	05278182AB	1	C			EDZ, EJD			Dash 4 Tube
	05278218AB	1	Z			EDZ			Dash 7 Tube
		1	Z		44	EDJ			Dash 7 Tube

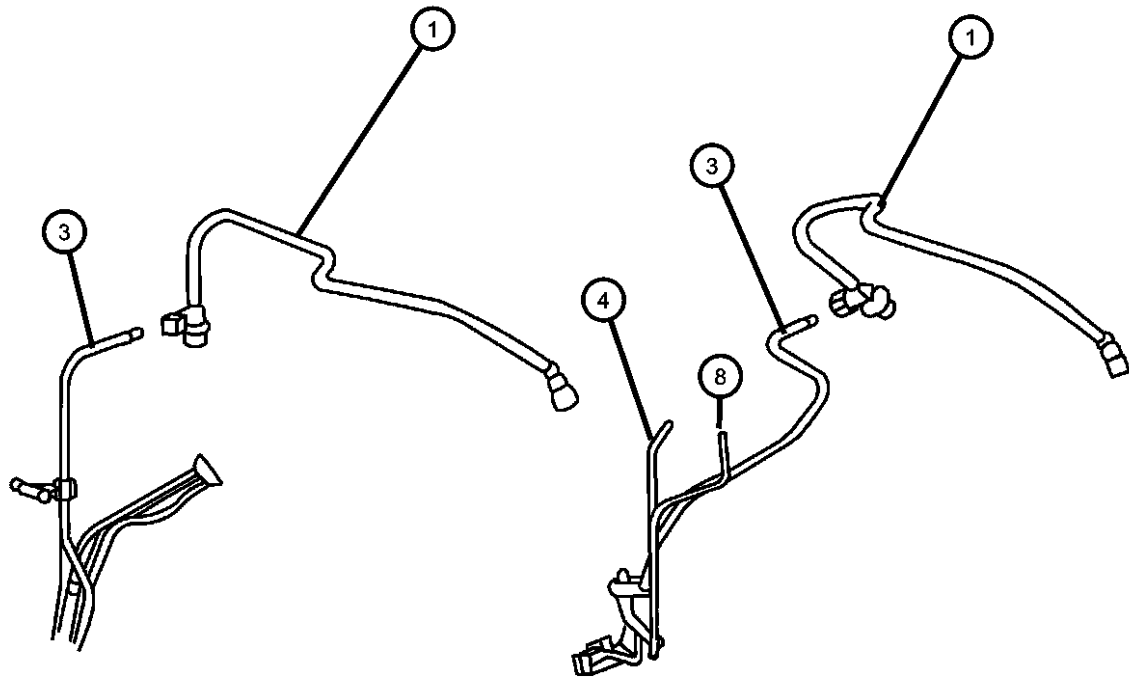
PT CRUISER (PT)

SERIES	LINE	BODY	ENGINE	TRANSMISSION
H = HIGHLINE	C = CHRYSLER	27 = 2-DR CONVERTIBLE	EDJ = 2.2L 4 Cyl Turbo Diesel Engine	DGL = 4-Speed Automatic Transmission
P = PREMIUM	Z = CHRYSLER (RHD)	44 = HATCHBACK/QUAD CAB CHASSIS LWB	EDT = 2.4L 4 Cyl DOHC 16V Turbo Engine	DD5 = 5-Speed Manual Transmission
S = SPORT			EDV = 2.4L 4 Cyl DOHC 16V HO Turbo Engine	DDD = 5-Speed HD Manual Transmission
X = SPECIAL			EDZ = 2.4L 4 Cyl DOHC 16V SMPI Engine	
			EJD = 1.6L 4 Cyl SOHC 16V SMPI	

AR = use ase required - = Non illustrated part

Fuel Lines
Figure 14-310

ITEM	PART NUMBER	QTY	LINE	SERIES	BODY	ENGINE	TRANS	TRIM	DESCRIPTION
-7									CLIP, Fuel Bundle
	05085043AA	5	C			EDZ			Underbody 5 Tube
		5	C			EDT			Underbody 5 Tube
	05278609AA	2	C			EDT, EDV			Rail
		2	C			EDZ, EJD			Rail
	05278729AA	1	C			EDT, EDV			Dash 1 Tube
		1	C			EDZ			Dash 1 Tube
8									TUBE, Fuel Return
	05273513AB	1	C			EDJ			Rail to Chassis
	05273514AB	1	Z		44	EDJ			Rail to Chassis, Right Hand Drive
	05273626AB	1				EDJ			Module to Chassis



PT CRUISER (PT)

SERIES LINE
H = HIGHLINE C = CHRYSLER
P = PREMIUM Z = CHRYSLER (RHD)
S = SPORT
X = SPECIAL

BODY
27 = 2-DR CONVERTIBLE
44 = HATCHBACK/QUAD
CAB CHASSIS LWB

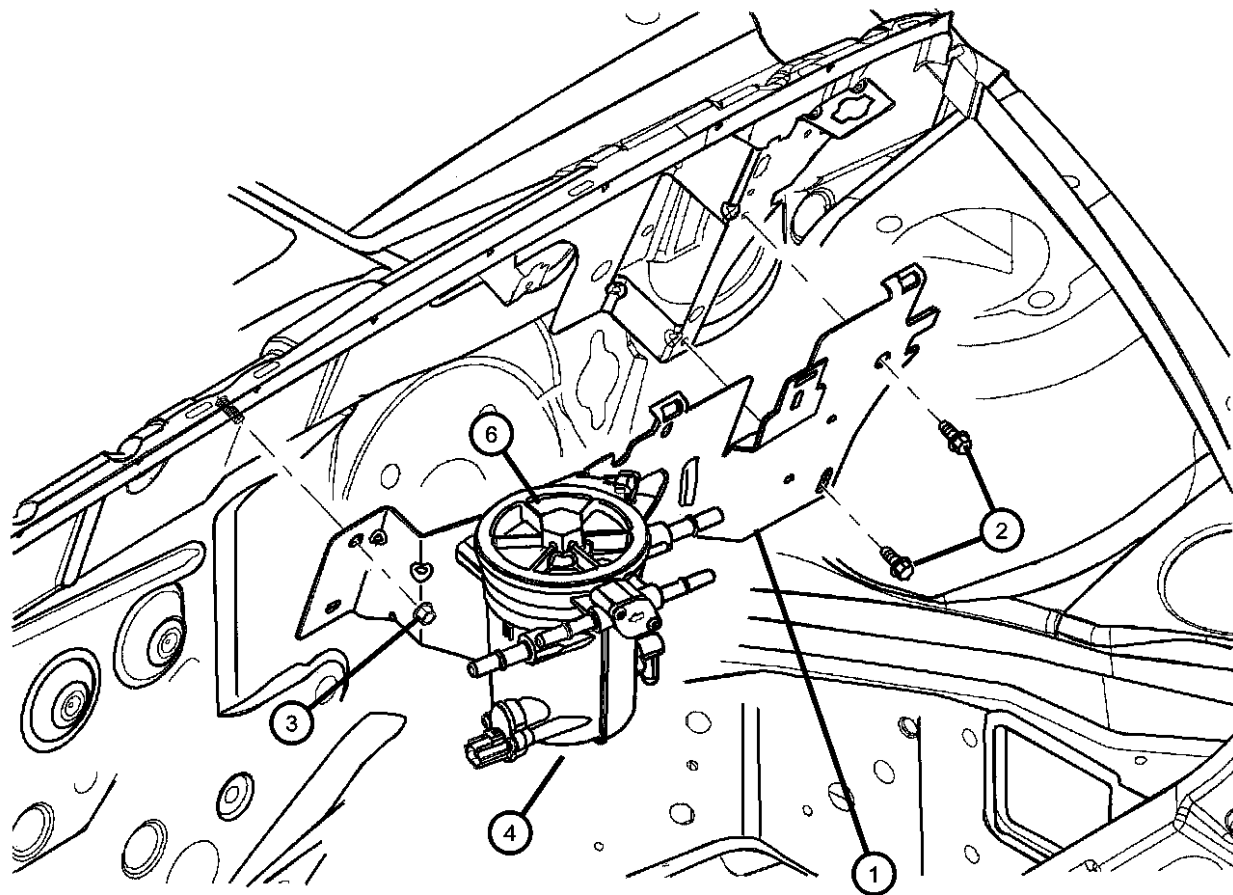
ENGINE TRANSMISSION
EDJ = 2.2L 4 Cyl Turbo Diesel Engine
EDT = 2.4L 4 Cyl DOHC 16V Turbo Engine
EDV = 2.4L 4 Cyl DOHC 16V HO Turbo Engine
EDZ = 2.4L 4 Cyl DOHC 16V SMPI Engine
EJD = 1.6L 4 Cyl SOHC 16V SMPI
DGL = 4-Speed Automatic Transmission
DD5 = 5-Speed Manual Transmission
DDD = 5-Speed HD Manual Transmission

AR = use ase required - = Non illustrated part

2006 PT

Fuel/Water Separator [EDJ]
Figure 14-320

ITEM	PART NUMBER	QTY	LINE	SERIES	BODY	ENGINE	TRANS	TRIM	DESCRIPTION
NOTE: Sales Codes [EDJ]=2.2L 4 Cylinder Turbo Diesel									
1	05273652AC	1				EDJ			BRACKET, Fuel/Water Separator
2	06505900AA	4				EDJ			SCREW, Tapping Hex Flange Head, M6.3 x 1.81 x 19.00
3	06504030	1				EDJ			NUT AND WASHER, Hex, M6x1
4	05273521AB	1				EDJ			SEPARATOR, Fuel Filter/Water
-5	68039881AA	1	C, Z		27	EDJ			BRACKET
		1	C, Z		44	EDJ			
6	05179011AA	1				EDJ			FILTER, Fuel/Water Separator



PT CRUISER (PT)

SERIES LINE
H = HIGHLINE C = CHRYSLER
P = PREMIUM Z = CHRYSLER (RHD)
S = SPORT
X = SPECIAL

BODY
27 = 2-DR CONVERTIBLE
44 = HATCHBACK/QUAD
CAB CHASSIS LWB

ENGINE TRANSMISSION
EDJ = 2.2L 4 Cyl Turbo Diesel Engine
EDT = 2.4L 4 Cyl DOHC 16V Turbo Engine
EDV = 2.4L 4 Cyl DOHC 16V HO Turbo Engine
EDZ = 2.4L 4 Cyl DOHC 16V SMPI Engine
EJD = 1.6L 4 Cyl SOHC 16V SMPI
DGL = 4-Speed Automatic Transmission
DD5 = 5-Speed Manual Transmission
DDD = 5-Speed HD Manual Transmission

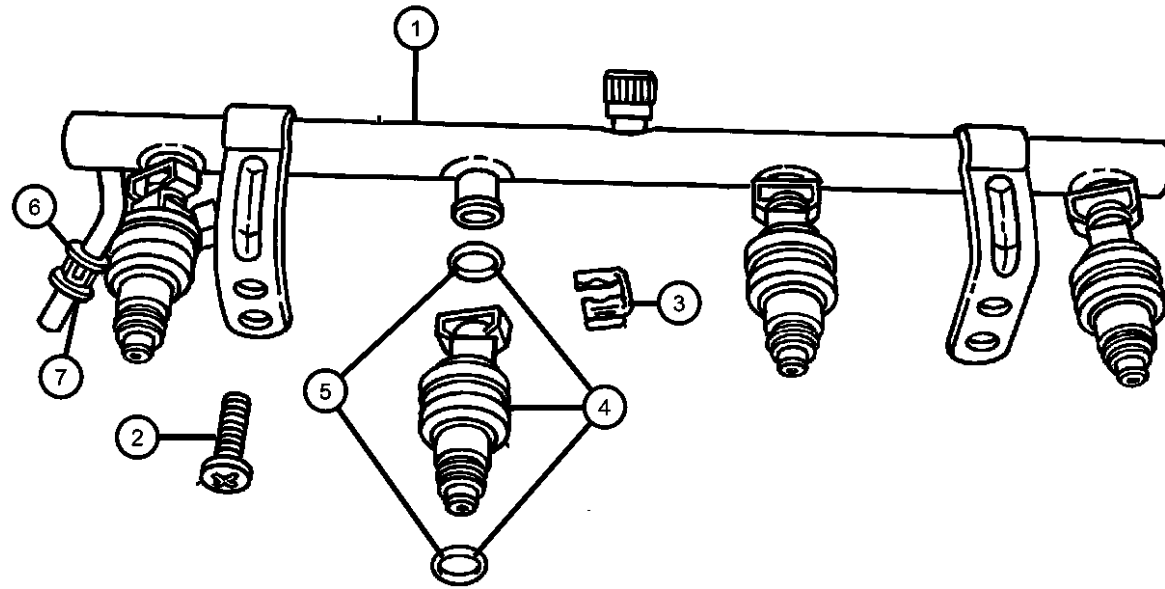
AR = use ase required - = Non illustrated part

2006 PT

**Fuel Rail [EJD,EDZ,EDT,EDV]
Figure 14-410**

ITEM	PART NUMBER	QTY	LINE	SERIES	BODY	ENGINE	TRANS	TRIM	DESCRIPTION
------	-------------	-----	------	--------	------	--------	-------	------	-------------

NOTE: Sales Codes
[EJD]= 1.6L 4 Cylinder SOHC 16 Valve Engine
[EDT]= 2.4L I-4 DOHC 16 Valve Turbo Engine
[EDV]= 2.4L I-4 DOHC 16 Valve High Output Turbo Engine
[EDZ]= 2.4L 4 Cylinder DOHC 16 Valve SMPI Engine



1									RAIL, Fuel
	04891338AA	1				EJD			
	05014312AB	1				EDZ			
	05135911AA	1				EDT, EDV			
2									BOLT AND CONED WASHER, M8x1.25x18
	06101506	2				EDT, EDV, EDZ			
		2				EJD			
3									CLIP, Fuel Injector
	04418257AB	4				EDT, EDV, EDZ			
	04891448AA	4				EJD			
4									INJECTOR, Fuel
	04891190AA	4				EJD			
	04891573AB	4				EDZ			
	04891574AB	4				EDT, EDV			
5									O RING KIT, Fuel Injector
	04897125AA	4				EJD			
		4				EDZ			
		4				EDT, EDV			
6	04762643	1				EDZ			RETAINER PACKAGE, Quick Connect
7	04891549AA	1				EJD			CLIP, Fuel Tube Module to Fuel Rail

PT CRUISER (PT)

SERIES LINE
H = HIGHLINE C = CHRYSLER
P = PREMIUM Z = CHRYSLER (RHD)
S = SPORT
X = SPECIAL

BODY
27 = 2-DR CONVERTIBLE
44 = HATCHBACK/QUAD
CAB CHASSIS LWB

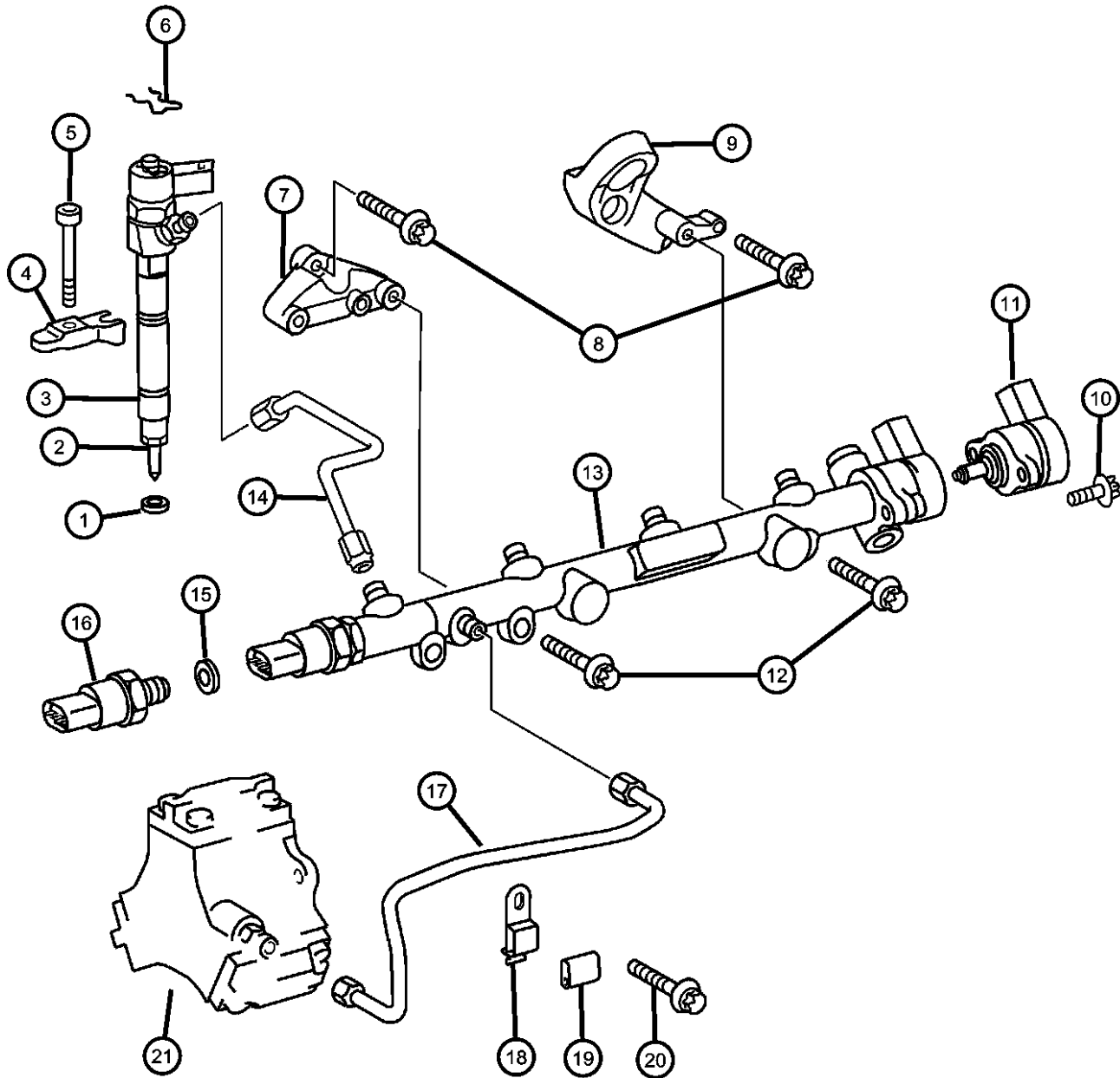
ENGINE
EDJ = 2.2L 4 Cyl Turbo Diesel Engine
EDT = 2.4L 4 Cyl DOHC 16V Turbo Engine
EDV = 2.4L 4 Cyl DOHC 16V HO Turbo Engine
EDZ = 2.4L 4 Cyl DOHC 16V SMPI Engine
EJD = 1.6L 4 Cyl SOHC 16V SMPI

TRANSMISSION
DGL = 4-Speed Automatic Transmission
DD5 = 5-Speed Manual Transmission
DDD = 5-Speed HD Manual Transmission

AR = use ase required - = Non illustrated part

2006 PT

Fuel Rail [EDJ]
Figure 14-415



ITEM	PART NUMBER	QTY	LINE	SERIES	BODY	ENGINE	TRANS	TRIM	DESCRIPTION
NOTES: Sales Code [EDJ] = 2.2L 4 Cylinder Turbo Diesel Engine									
1	05117295AA	4				EDJ			RETAINER, Fuel Injector, Nozzle Holder
2	05080301AA	4				EDJ			O RING, Fuel Injector
3	68002136AA	4				EDJ			INJECTOR, Fuel
4	05080302AB	4				EDJ			RETAINER, Fuel Injector
5	05073719AB	4				EDJ			SCREW
6	05086296AA	4				EDJ			CLIP, Fuel Injector
7	04725619AA	1				EDJ			BRACKET, Fuel Rail
8	06104076AA	2				EDJ			SCREW
9	04725620AA	1				EDJ			BRACKET, Fuel Rail
10	06104076AA	2				EDJ			SCREW
11	05139699AA	1				EDJ			VALVE
12	05073701AA	3				EDJ			SCREW
13									RAIL, Fuel
	04862643AA	1	C, Z		44	EDJ	DDD		After Engine Serial Number 30029438
	05080344AB	1	C, Z		27, 44	EDJ			Up to Engine Serial Number 30029438
14									TUBE, Fuel Injector Supply
	05080292AA	4				EDJ			Up To Engine Serial# 30029438
	05117422AA	4	C, Z		27, 44	EDJ			After Engine Serial# 30029438
15	05080347AA	1				EDJ			O RING, Fuel Pressure Regulator
16	05080349AA	1				EDJ			SENDING UNIT, Fuel
17									TUBE, Fuel
	05080354AA	1				EDJ			
	05086236AB	1				EDJ			Optional
18	05080296AA	3				EDJ			BRACKET, Tube
19	05080297AA	3				EDJ			SHIM
20	05073824AA	2				EDJ			SCREW
21	05080341AB	1				EDJ			PUMP, Fuel Injection
-22	05080284AA	1				EDJ			BRACKET, Pump

PT CRUISER (PT)

SERIES LINE
H = HIGHLINE C = CHRYSLER
P = PREMIUM Z = CHRYSLER (RHD)
S = SPORT
X = SPECIAL

BODY
27 = 2-DR CONVERTIBLE
44 = HATCHBACK/QUAD
CAB CHASSIS LWB

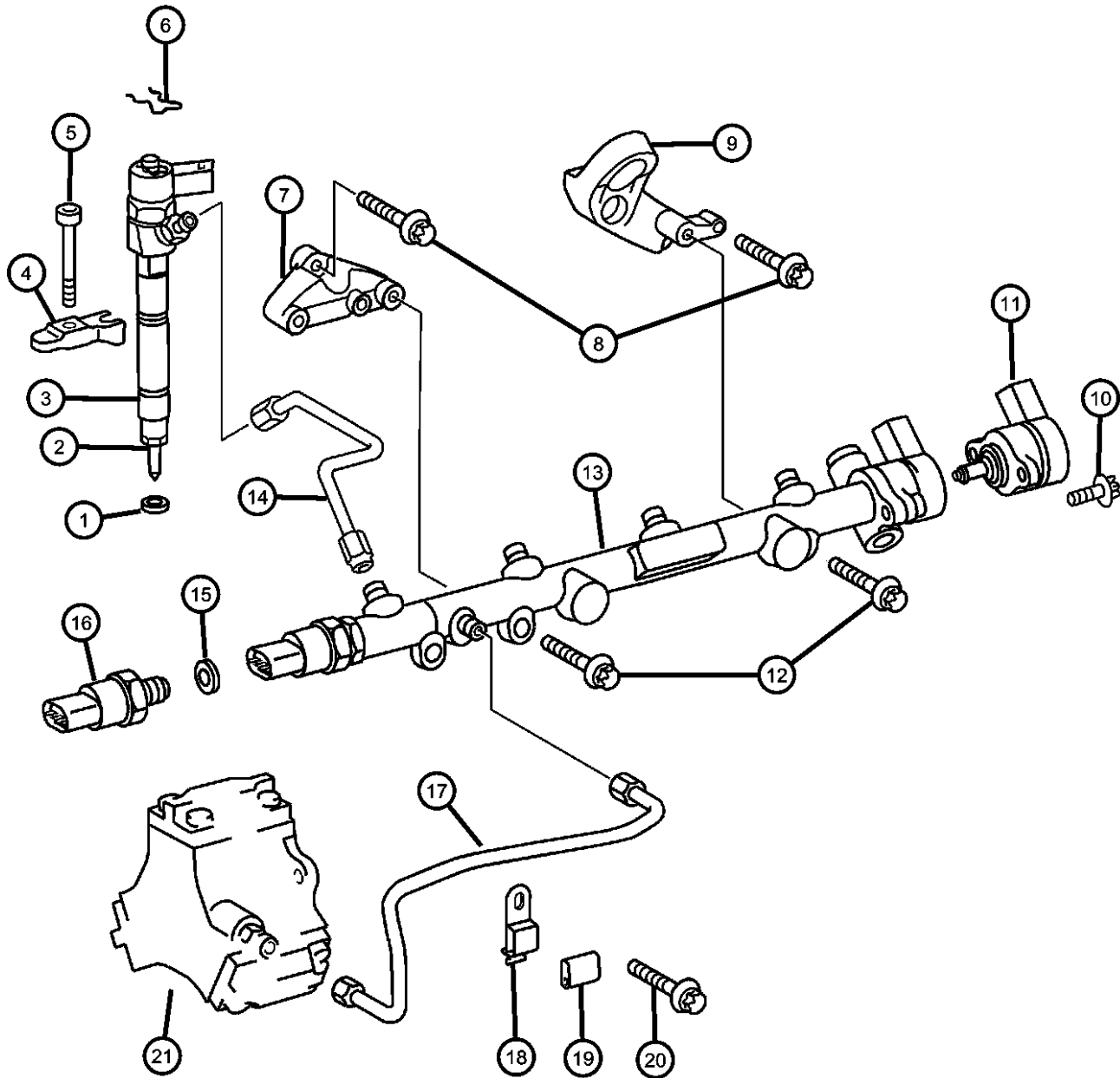
ENGINE
EDJ = 2.2L 4 Cyl Turbo Diesel Engine
EDT = 2.4L 4 Cyl DOHC 16V Turbo Engine
EDV = 2.4L 4 Cyl DOHC 16V HO Turbo Engine
EDZ = 2.4L 4 Cyl DOHC 16V SMPI Engine
EJD = 1.6L 4 Cyl SOHC 16V SMPI

TRANSMISSION
DGL = 4-Speed Automatic Transmission
DD5 = 5-Speed Manual Transmission
DDD = 5-Speed HD Manual Transmission

AR = use ase required - = Non illustrated part

2006 PT

Fuel Rail [EDJ]
Figure 14-415



ITEM	PART NUMBER	QTY	LINE	SERIES	BODY	ENGINE	TRANS	TRIM	DESCRIPTION
-23	05080342AA	1				EDJ			CONNECTOR, Fuel Injector
-24									BRACKET
	05080360AA	1				EDJ			Fuel Pump, Front
	05080361AA	1				EDJ			Fuel Pump, Rear
-25	05080338AA	1				EDJ			HOSE, Fuel Injection Leak Line
-26	05073718AA	1				EDJ			SCREW, Injection Pump

PT CRUISER (PT)

SERIES LINE
H = HIGHLINE C = CHRYSLER
P = PREMIUM Z = CHRYSLER (RHD)
S = SPORT
X = SPECIAL

BODY
27 = 2-DR CONVERTIBLE
44 = HATCHBACK/QUAD
CAB CHASSIS LWB

ENGINE
EDJ = 2.2L 4 Cyl Turbo Diesel Engine
EDT = 2.4L 4 Cyl DOHC 16V Turbo Engine
EDV = 2.4L 4 Cyl DOHC 16V HO Turbo Engine
EDZ = 2.4L 4 Cyl DOHC 16V SMPI Engine
EJD = 1.6L 4 Cyl SOHC 16V SMPI

TRANSMISSION
DGL = 4-Speed Automatic Transmission
DD5 = 5-Speed Manual Transmission
DDD = 5-Speed HD Manual Transmission

AR = use ase required - = Non illustrated part

2006 PT

**Fuel Pump and Sending Unit
Figure 14-510**

ITEM	PART NUMBER	QTY	LINE	SERIES	BODY	ENGINE	TRANS	TRIM	DESCRIPTION
------	-------------	-----	------	--------	------	--------	-------	------	-------------

Note: Sales Codes;

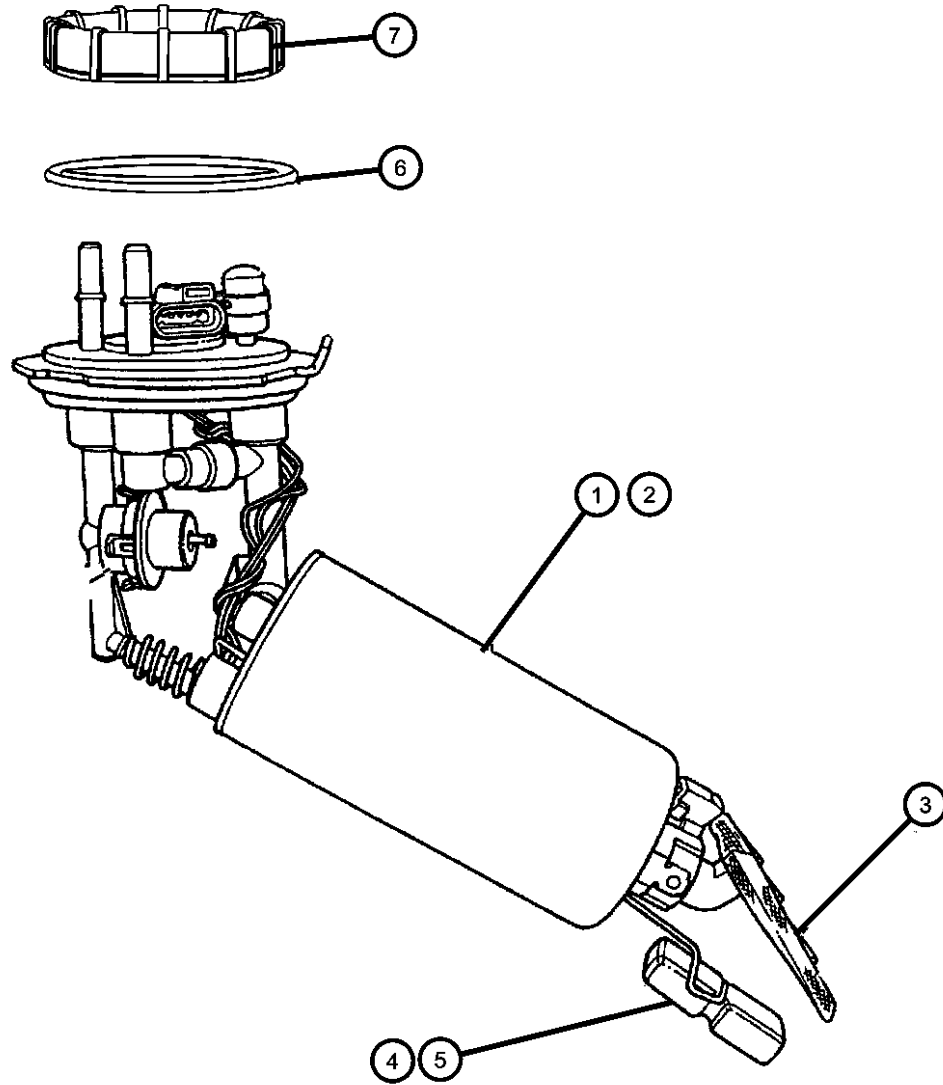
[EDT]= 2.4L I-4 DOHC 16 Valve Turbo Engine

[EDV]= 2.4L I-4 DOHC 16 Valve High Output Turbo Engine

[EDZ]= 2.4L 4 Cylinder DOHC 16 Valve SMPI Engine

[EDJ]= 2.2L 4 Cylinder Turbo Diesel Engine

[EJD]= 1.6L 4 Cylinder SOHC 16 Valve SMPI Engine



1									MODULE KIT, Fuel Pump/Level Unit
	05114547AD	1				EDT, EDV			
	05161377AB	1				EDZ, EJD			
2	05175727AA	1				EDJ			MODULE PACKAGE, Fuel TankDiesel
3	05175727AA	1							FILTER KIT, Fuel, (NOT SERVICED)
4	05175796AA	1				EDJ			LEVEL UNIT PACKAGE, FuelDiesel
5									LEVEL UNIT KIT, Fuel
	05114546AB	1				EDT, EDV			
		1				EDZ, EJD			
6									O RING, Fuel Pump and Level Unit
	55366298AA	1				EDT, EDV			
		1				EDZ, EJD			
		1				EDJ			
7									RING, Lock, Fuel Module
	52110282AA	1				EDT, EDV			
		1				EDZ, EJD			
		1				EDJ			

PT CRUISER (PT)

SERIES LINE
H = HIGHLINE C = CHRYSLER
P = PREMIUM Z = CHRYSLER (RHD)
S = SPORT
X = SPECIAL

BODY
27 = 2-DR CONVERTIBLE
44 = HATCHBACK/QUAD
CAB CHASSIS LWB

ENGINE
EDJ = 2.2L 4 Cyl Turbo Diesel Engine
EDT = 2.4L 4 Cyl DOHC 16V Turbo Engine
EDV = 2.4L 4 Cyl DOHC 16V HO Turbo Engine
EDZ = 2.4L 4 Cyl DOHC 16V SMPI Engine
EJD = 1.6L 4 Cyl SOHC 16V SMPI

TRANSMISSION
DGL = 4-Speed Automatic Transmission
DD5 = 5-Speed Manual Transmission
DDD = 5-Speed HD Manual Transmission

AR = use ase required - = Non illustrated part

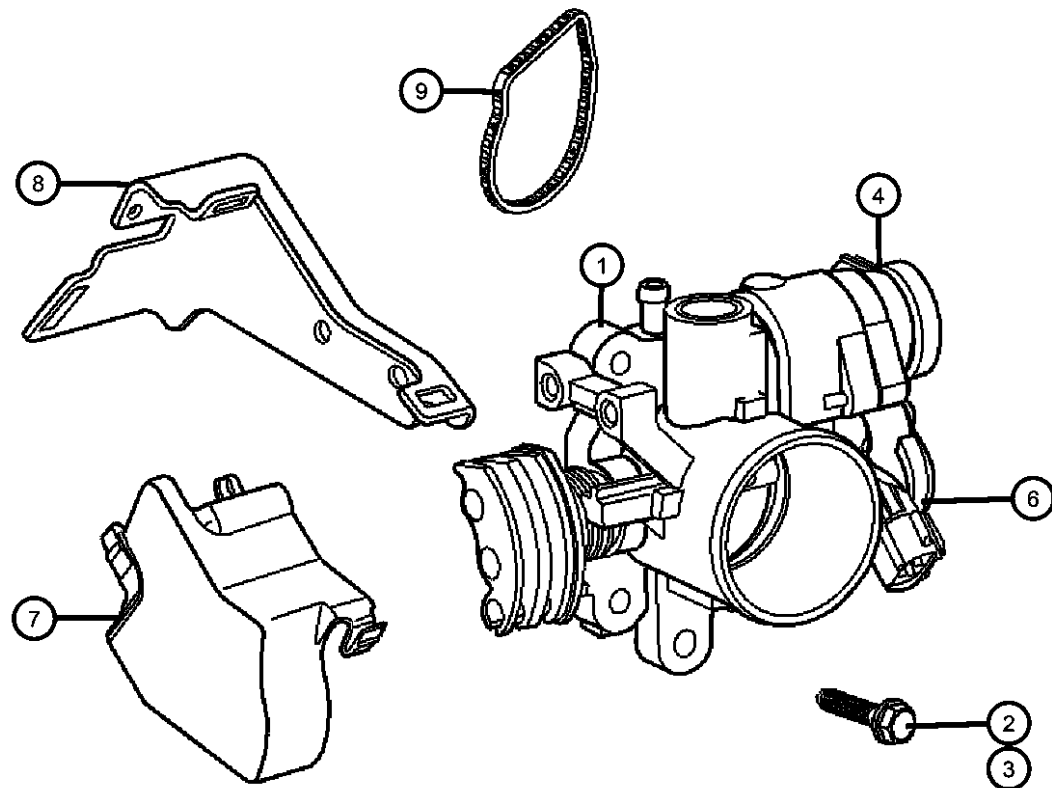
2006 PT

Throttle Body [EJD,EDZ,EDT,EDV]

Figure 14-610

ITEM	PART NUMBER	QTY	LINE	SERIES	BODY	ENGINE	TRANS	TRIM	DESCRIPTION
------	-------------	-----	------	--------	------	--------	-------	------	-------------

Note;Sales Codes;
 [DDD]= 5 Speed Heavy Duty Manual Transmission
 [DD5]= 5 Speed Manual Transmission
 [DGL]= 4 Speed Automatic Transmission 41TE/41AE
 [EDT]= 2.4L I-4 DOHC 16 Valve Turbo Engine
 [EDV]= 2.4L I-4 DOHC 16 Valve High Output Turbo Engine
 [EDZ]= 2.4L I-4 DOHC 16 Valve SMPI Engine



1									THROTTLE BODY
	04777860AA	1				EJD			
	05114400AA	1				EDT, EDV, EDZ	DGL		
	05114402AA	1				EDV, EDZ	DD5, DDD		
2	06101451	3				EDT, EDV, EDZ			SCREW AND WASHER, Hex Head, M6x1x25
3	06101279	4				EJD			BOLT AND WASHER, Hex Head, M6x-1.00x55, Throttle Body to Intake Manifold
4									SOLENOID, Linear IACV
	04861184AB	1				EDV, EDZ	DD5, DDD		
		1				EDT, EDV, EDZ	DGL		
-5									O RING KIT, Linear Solenoid
	05114356AA	1				EDV, EDZ	DD5, DDD		
		1				EDT, EDV, EDZ	DGL		
6									SENSOR, Throttle Position
	04606197	1				EDV, EDZ	DD5, DDD		
		1				EDT, EDV, EDZ	DGL		
7									SHIELD, Throttle Control
	04669966AC	1				EJD			
	04891158AA	1				EDZ			
		1				EDT, EDV			
8									BRACKET, Accelerator Cable
	04891156AC	1				EDT, EDV			
		1				EDZ			
9									GASKET, Throttle Body

PT CRUISER (PT)

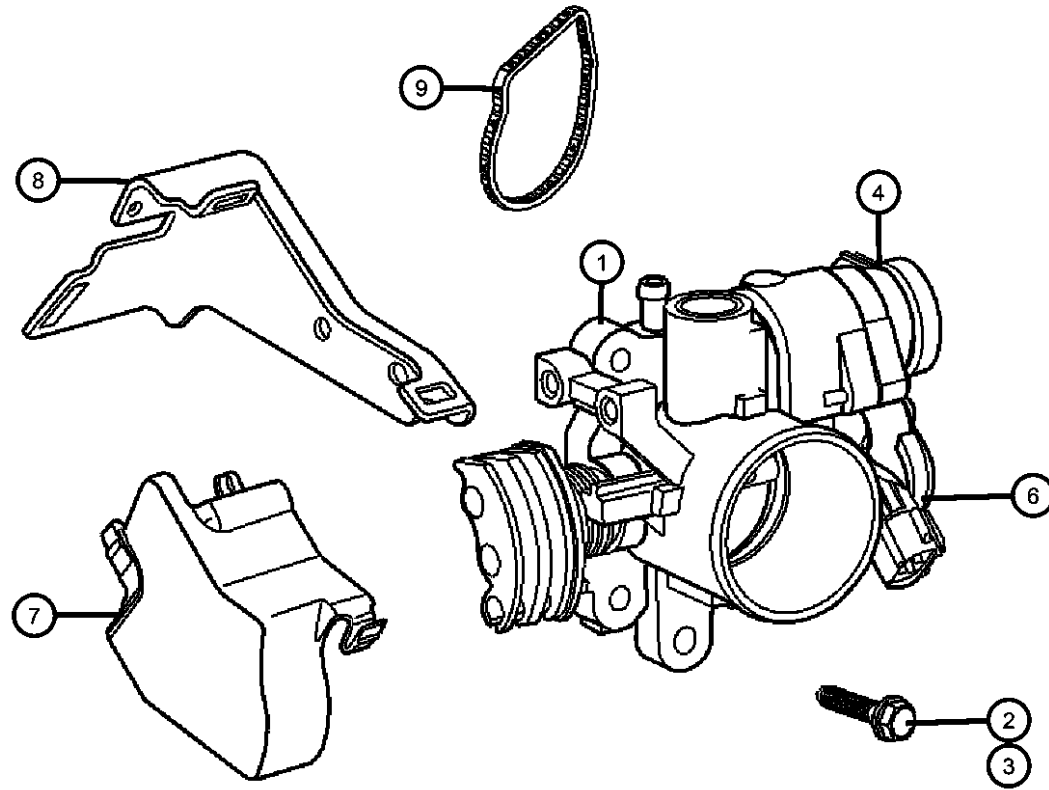
SERIES	LINE	BODY	ENGINE	TRANSMISSION
H = HIGHLINE	C = CHRYSLER	27 = 2-DR CONVERTIBLE	EDJ = 2.2L 4 Cyl Turbo Diesel Engine	DGL = 4-Speed Automatic Transmission
P = PREMIUM	Z = CHRYSLER (RHD)	44 = HATCHBACK/QUAD CAB CHASSIS LWB	EDT = 2.4L 4 Cyl DOHC 16V Turbo Engine	DD5 = 5-Speed Manual Transmission
S = SPORT			EDV = 2.4L 4 Cyl DOHC 16V HO Turbo Engine	DDD = 5-Speed HD Manual Transmission
X = SPECIAL			EDZ = 2.4L 4 Cyl DOHC 16V SMPI Engine	
			EJD = 1.6L 4 Cyl SOHC 16V SMPI	

AR = use ase required - = Non illustrated part

2006 PT

Throttle Body [EJD,EDZ,EDT,EDV]
Figure 14-610

ITEM	PART NUMBER	QTY	LINE	SERIES	BODY	ENGINE	TRANS	TRIM	DESCRIPTION
	04884650AA	1				EDZ			
	05018345AA	1				EJD			



PT CRUISER (PT)

SERIES LINE
H = HIGHLINE C = CHRYSLER
P = PREMIUM Z = CHRYSLER (RHD)
S = SPORT
X = SPECIAL

BODY
27 = 2-DR CONVERTIBLE
44 = HATCHBACK/QUAD
CAB CHASSIS LWB

ENGINE
EDJ = 2.2L 4 Cyl Turbo Diesel Engine
EDT = 2.4L 4 Cyl DOHC 16V Turbo Engine
EDV = 2.4L 4 Cyl DOHC 16V HO Turbo Engine
EDZ = 2.4L 4 Cyl DOHC 16V SMPI Engine
EJD = 1.6L 4 Cyl SOHC 16V SMPI

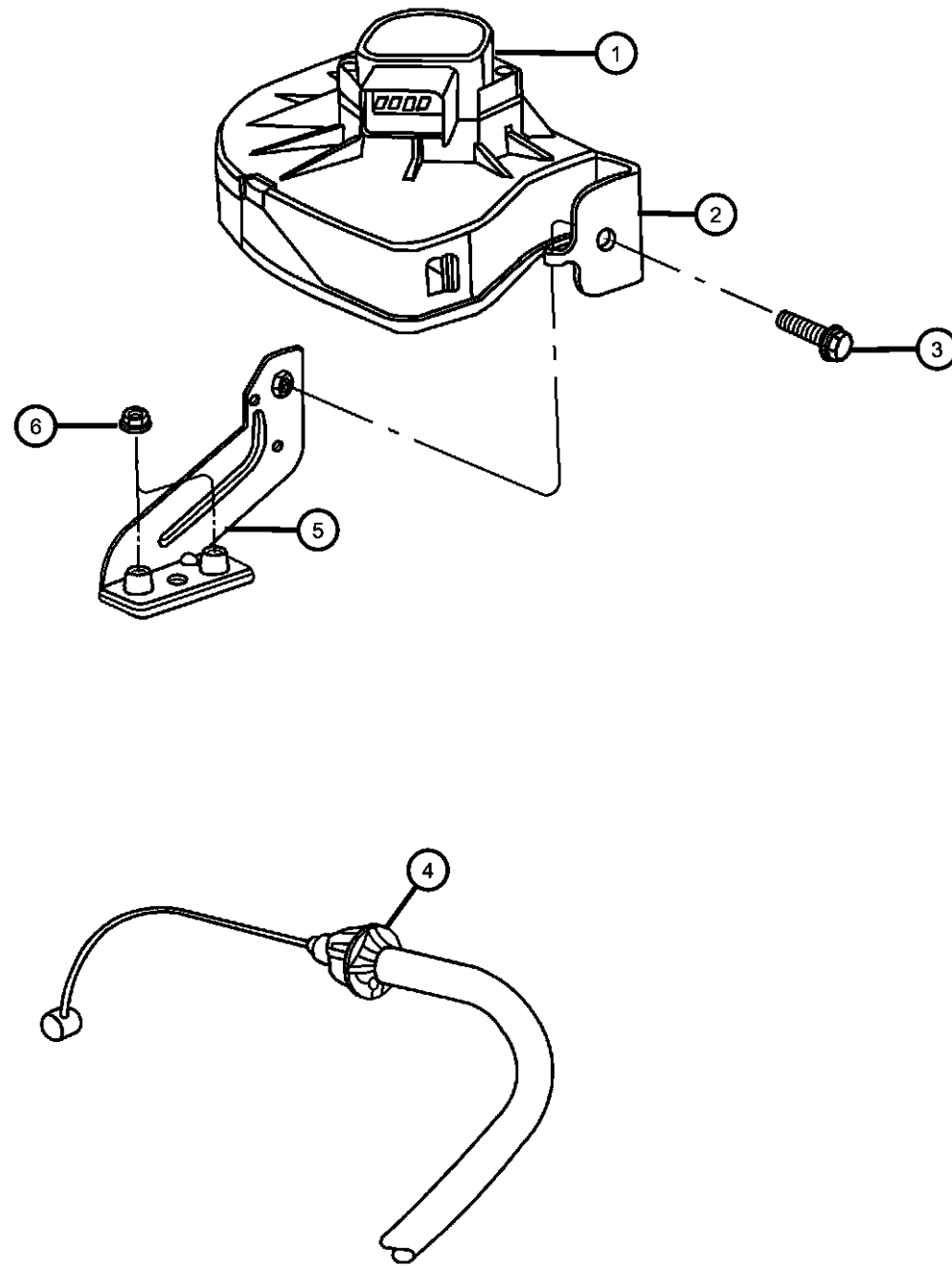
TRANSMISSION
DGL = 4-Speed Automatic Transmission
DD5 = 5-Speed Manual Transmission
DDD = 5-Speed HD Manual Transmission

AR = use ase required - = Non illustrated part

**Bellcrank [EDJ,EJD]
Figure 14-620**

ITEM	PART NUMBER	QTY	LINE	SERIES	BODY	ENGINE	TRANS	TRIM	DESCRIPTION
------	-------------	-----	------	--------	------	--------	-------	------	-------------

NOTES: Sales Code
[EDJ] = 2.2L 4 Cylinder Turbo Diesel
[EJD] = 1.6L 4 Cylinder SOHC 16V SMPI



1	04891503AA	1				EDJ, EJD			HOUSING, Bell Crank
2	04891509AB	1				EDJ, EJD			BRACKET, Bellcrank
3	06501755	1				EDJ, EJD			SCREW AND WASHER, Hex Head, M6x1x16
4	04891556AC	1	C			EDJ, EJD			CABLE, Throttle Control
5	04891509AB	1				EDJ, EJD			BRACKET, Bellcrank
	04891530AA	1				EDJ, EJD			Bellcrank mounting
	04891530AA	1				EDJ, EJD			Bellcrank Housing
6	04891530AA	1							LOCK NUT, M6x1.0x6, (NOT SERVICED),

PT CRUISER (PT)

SERIES LINE
H = HIGHLINE C = CHRYSLER
P = PREMIUM Z = CHRYSLER (RHD)
S = SPORT
X = SPECIAL

BODY
27 = 2-DR CONVERTIBLE
44 = HATCHBACK/QUAD
CAB CHASSIS LWB

ENGINE
EDJ = 2.2L 4 Cyl Turbo Diesel Engine
EDT = 2.4L 4 Cyl DOHC 16V Turbo Engine
EDV = 2.4L 4 Cyl DOHC 16V HO Turbo Engine
EDZ = 2.4L 4 Cyl DOHC 16V SMPI Engine
EJD = 1.6L 4 Cyl SOHC 16V SMPI

TRANSMISSION
DGL = 4-Speed Automatic Transmission
DD5 = 5-Speed Manual Transmission
DDD = 5-Speed HD Manual Transmission

AR = use ase required - = Non illustrated part

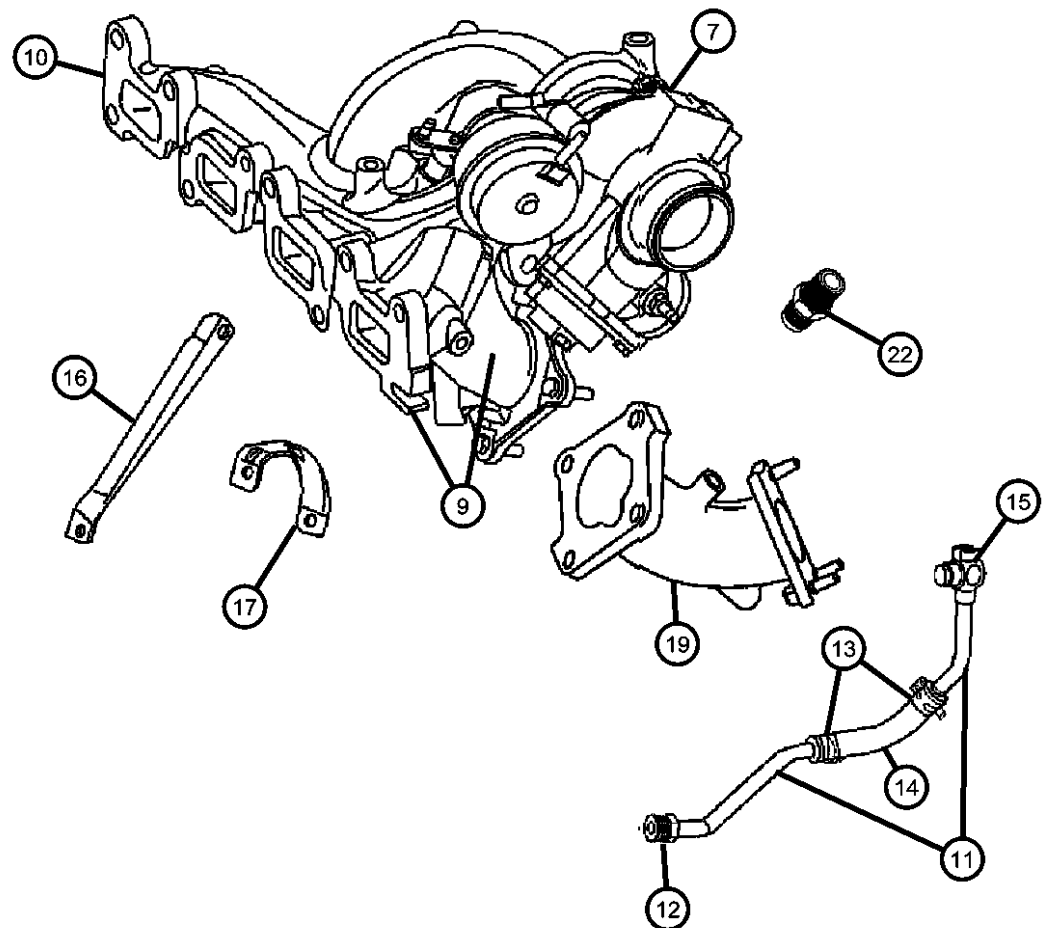
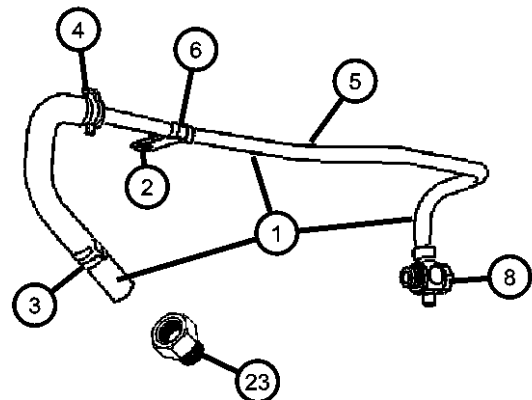
2006 PT

Turbocharger/Manifold [EDV,EDT,EDJ]

Figure 14-630

ITEM	PART NUMBER	QTY	LINE	SERIES	BODY	ENGINE	TRANS	TRIM	DESCRIPTION
------	-------------	-----	------	--------	------	--------	-------	------	-------------

NOTES: Sales Codes:
 [EDT]= 2.4L I-4 DOHC 16 Valve Turbo Engine
 [EDV]= 2.4L I-4 DOHC 16 Valve High Output Turbo Engine



1	04884283AC	1				EDT, EDV			TUBE, Turbo Water Return
2	06100047	1				EDT, EDV			NUT AND WASHER, Hex Nut-Coned Washer, M6 x 1.00
3	04852396AB	AR				EDT, EDV			GASKET
4	06506365AA	2				EDT, EDV			CLAMP, Hose, M18.5
5	04884285AC	1				EDT, EDV			HOSE, Water Return to Heater
6	04884404AA	1				EDT, EDV			CLAMP
7	05080373AC	1	C, Z		27, 44	EDJ			TURBOCHARGER
8	04852389AA	AR				EDT, EDV			SCREW, Banjo Connector
9	04884234AC	1				EDT, EDV			MANIFOLD/TURBOCHARGER, Exhaust, Includes Turbo
10	04884447AA	1				EDT, EDV			GASKET, Exhaust Manifold
	05135985AA	1				EDJ			
11	04884281AF	1				EDV, EDT			TUBE, Turbo Water Inlet
12	06036516AA	1				EDT, EDV			NUT, Inverted Flare
13	06506365AA	2				EDT, EDV			CLAMP, Hose, M18.5
14	04884281AF	1				EDT, EDV			TUBE, Turbo Water Inlet
15	04852396AB	AR				EDT, EDV			GASKET
16	04884412AA	1				EDT, EDV			BRACKET, Turbo Charger
17	04884272AB	1				EDT, EDV			BRACKET, Turbo Charger
-18	06500464	2				EDT, EDV			BOLT
19	04884275AB	1				EDT, EDV			ELBOW, Turbo To Catalytic Converter
-20	06506343AA	1				EDT, EDV			STUD, Elbow to Cyl Head Attach
-21	06507562AA	1				EDT, EDV			STUD, Double Ended, Elbow Bracket to Cyl Head
22	06036517AA	1				EDT, EDV			FITTING, Oil Feed Line
23	06036518AA	1				EDT, EDV			FITTING, OIL COOLER SUPPLY TO CONN TEE

PT CRUISER (PT)

SERIES LINE
 H = HIGHLINE C = CHRYSLER
 P = PREMIUM Z = CHRYSLER (RHD)
 S = SPORT
 X = SPECIAL

BODY
 27 = 2-DR CONVERTIBLE
 44 = HATCHBACK/QUAD CAB CHASSIS LWB

ENGINE
 EDJ = 2.2L 4 Cyl Turbo Diesel Engine
 EDT = 2.4L 4 Cyl DOHC 16V Turbo Engine
 EDV = 2.4L 4 Cyl DOHC 16V HO Turbo Engine
 EDZ = 2.4L 4 Cyl DOHC 16V SMPI Engine
 EJD = 1.6L 4 Cyl SOHC 16V SMPI

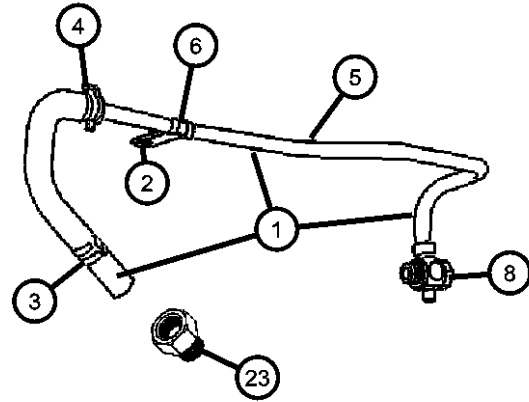
TRANSMISSION
 DGL = 4-Speed Automatic Transmission
 DD5 = 5-Speed Manual Transmission
 DDD = 5-Speed HD Manual Transmission

AR = use ase required - = Non illustrated part

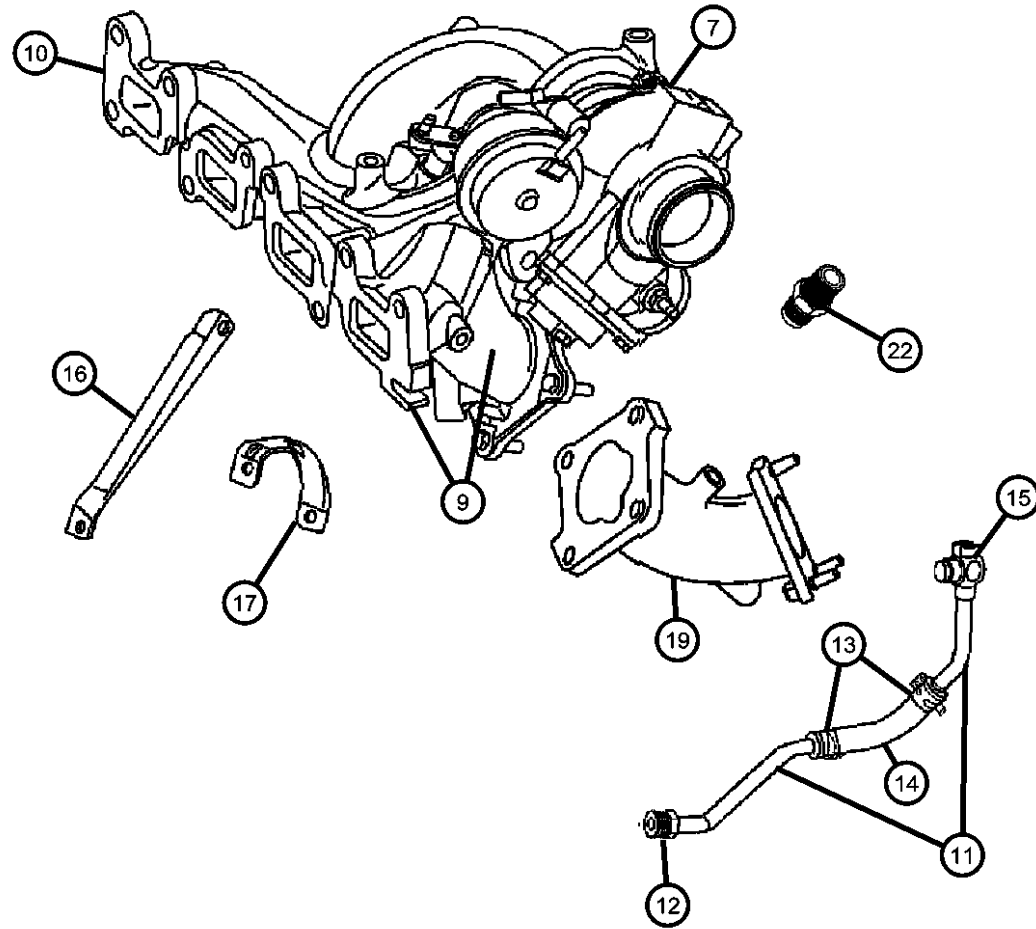
2006 PT

Turbocharger/Manifold [EDV,EDT,EDJ]
Figure 14-630

ITEM	PART NUMBER	QTY	LINE	SERIES	BODY	ENGINE	TRANS	TRIM	DESCRIPTION
------	-------------	-----	------	--------	------	--------	-------	------	-------------



-24	06101512	2				EDT, EDV			SCREW AND WASHER, Hex Head, M10x1.5x45
-25	68023790AA	1	C, Z		27, 44	EDJ			GASKET, Turbocharger



PT CRUISER (PT)

SERIES	LINE
H = HIGHLINE	C = CHRYSLER
P = PREMIUM	Z = CHRYSLER (RHD)
S = SPORT	
X = SPECIAL	

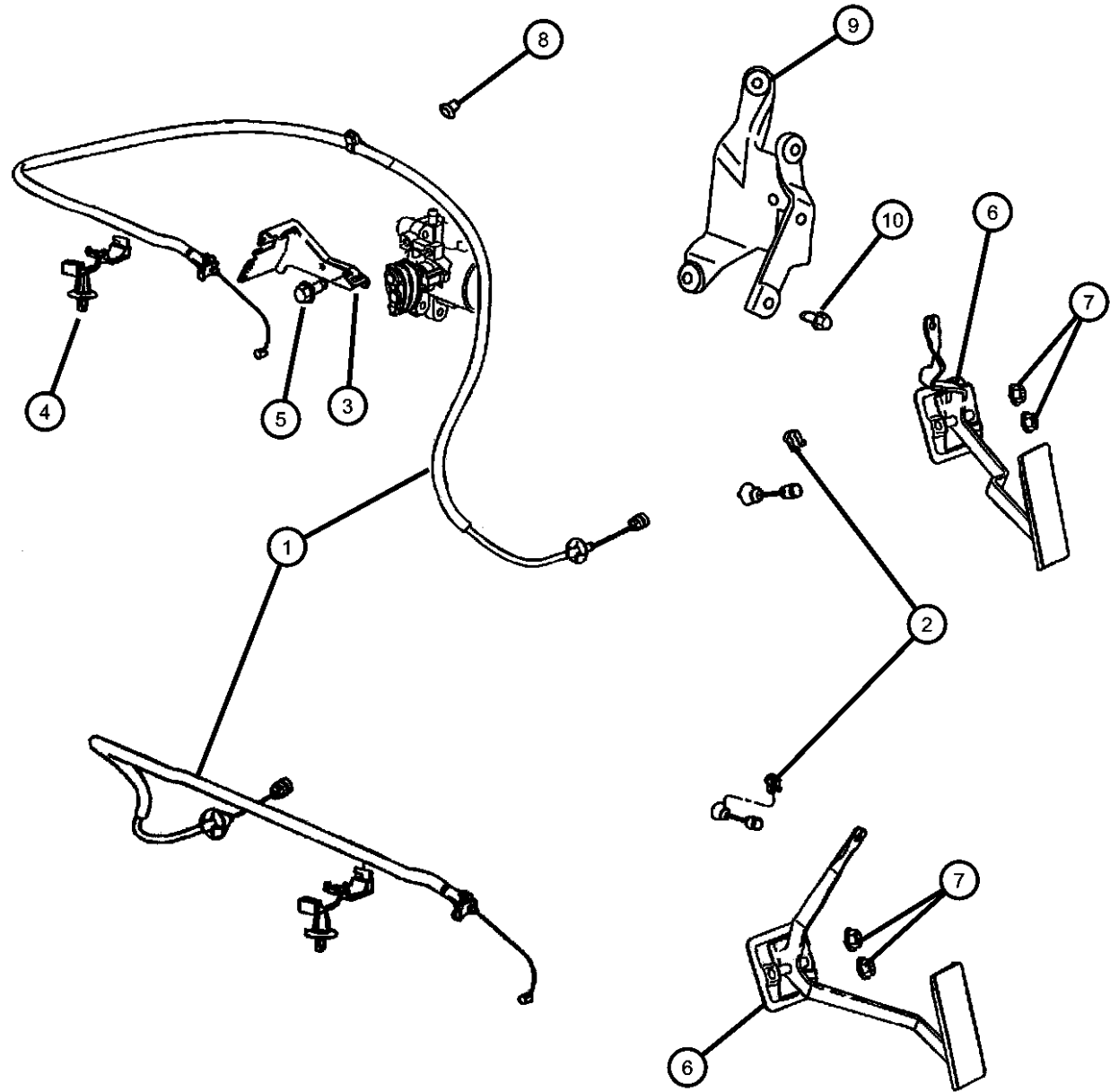
BODY
27 = 2-DR CONVERTIBLE
44 = HATCHBACK/QUAD CAB CHASSIS LWB

ENGINE	TRANSMISSION
EDJ = 2.2L 4 Cyl Turbo Diesel Engine	DGL = 4-Speed Automatic Transmission
EDT = 2.4L 4 Cyl DOHC 16V Turbo Engine	DD5 = 5-Speed Manual Transmission
EDV = 2.4L 4 Cyl DOHC 16V HO Turbo Engine	DDD = 5-Speed HD Manual Transmission
EDZ = 2.4L 4 Cyl DOHC 16V SMPI Engine	
EJD = 1.6L 4 Cyl SOHC 16V SMPI	

AR = use ase required - = Non illustrated part

2006 PT

Throttle Controls
Figure 14-710



ITEM	PART NUMBER	QTY	LINE	SERIES	BODY	ENGINE	TRANS	TRIM	DESCRIPTION
------	-------------	-----	------	--------	------	--------	-------	------	-------------

Note: Sales Codes;
 [EDT]= 2.4L I-4 DOHC 16 Valve Turbo Engine
 [EDV]= 2.4L I-4 DOHC 16 Valve High Output Turbo Engine
 [EDZ]= 2.4L 4 Cylinder DOHC 16 Valve SMPI Engine

1									CABLE, Throttle Control
	04891161AD	1	Z			EDZ			
	04891469AA	1				EDT, EDV			
	04891642AA	1	C			EDZ			
2	05214613	1							CLIP, Cable
3									BRACKET, Accelerator Cable
	04891156AC	1				EDT, EDV			
		1				EDZ			
4	04891313AA	1	Z			EDZ			CLIP, Throttle Cables to Intake Manifold
5	06102085AA	1				EDZ			SCREW AND WASHER, Hex Head, M8x1.25x20
6									PEDAL, Accelerator
	04891159AA	1	C						Without Bright Pedal
	04891670AA	1							With Bright Pedal
7	06502843	2							NUT AND WASHER, Hex Nut-Coned Washer, M6 x 1.00
8									GROMMET, Throttle Control Cable
	05214416	1	Z			EDZ			
		1				EDT, EDV			
		1	C			EDZ			
9	04891407AD	1				EDZ			BRACKET, Throttle Control Support
10	04891407AD	1							SCREW, M8x1.25x30, (NOT SERVICED)

PT CRUISER (PT)

SERIES LINE
 H = HIGHLINE C = CHRYSLER
 P = PREMIUM Z = CHRYSLER (RHD)
 S = SPORT
 X = SPECIAL

BODY
 27 = 2-DR CONVERTIBLE
 44 = HATCHBACK/QUAD
 CAB CHASSIS LWB

ENGINE
 EDJ = 2.2L 4 Cyl Turbo Diesel Engine
 EDT = 2.4L 4 Cyl DOHC 16V Turbo Engine
 EDV = 2.4L 4 Cyl DOHC 16V HO Turbo Engine
 EDZ = 2.4L 4 Cyl DOHC 16V SMPI Engine
 EJD = 1.6L 4 Cyl SOHC 16V SMPI

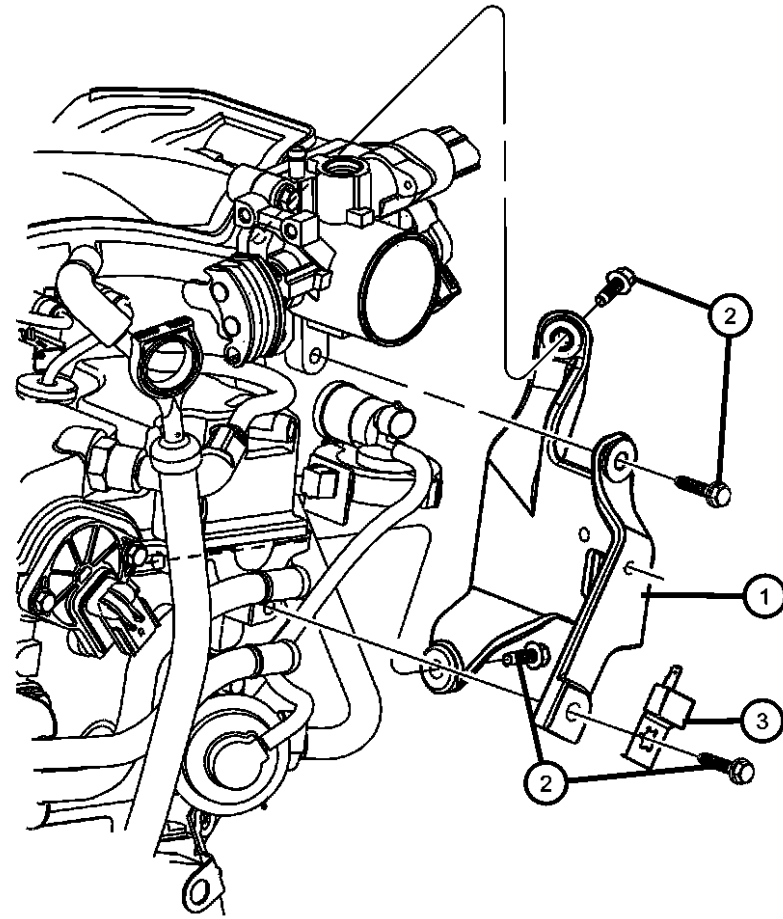
TRANSMISSION
 DGL = 4-Speed Automatic Transmission
 DD5 = 5-Speed Manual Transmission
 DDD = 5-Speed HD Manual Transmission

AR = use ase required - = Non illustrated part

2006 PT

Throttle Control Brackets
Figure 14-715

ITEM	PART NUMBER	QTY	LINE	SERIES	BODY	ENGINE	TRANS	TRIM	DESCRIPTION
NOTES: Sales Codes									
[ECC]= 2.0L 4 Cylinder DOHC 16 Valve SMPI Engine									
[EDT]= 2.4L I-4 DOHC 16 Valve Turbo Engine									
[EDV]= 2.4L I-4 DOHC 16 Valve High Output Turbo Engine									
[EDZ]= 2.4L 4 Cylinder 16 Valve DOHC SMPI Engine									
1	04891407AD	1				EDZ			BRACKET, Throttle Control Support
2	04891407AD	1							SCREW AND WASHER, M8X1.25X30.00, (NOT SERVICED)
3									CAPACITOR, Radio Noise Suppression
	04606881AA	1				EJD			
		1				EDZ			
-4	06102085AA	1							SCREW AND WASHER, Hex Head, M8x1.25x20, Throttle Cable to Lower Bracket Mounting



PT CRUISER (PT)

SERIES LINE
H = HIGHLINE C = CHRYSLER
P = PREMIUM Z = CHRYSLER (RHD)
S = SPORT
X = SPECIAL

BODY
27 = 2-DR CONVERTIBLE
44 = HATCHBACK/QUAD
CAB CHASSIS LWB

ENGINE TRANSMISSION
EDJ = 2.2L 4 Cyl Turbo Diesel Engine
EDT = 2.4L 4 Cyl DOHC 16V Turbo Engine
EDV = 2.4L 4 Cyl DOHC 16V HO Turbo Engine
EDZ = 2.4L 4 Cyl DOHC 16V SMPI Engine
EJD = 1.6L 4 Cyl SOHC 16V SMPI
DGL = 4-Speed Automatic Transmission
DD5 = 5-Speed Manual Transmission
DDD = 5-Speed HD Manual Transmission

AR = use ase required - = Non illustrated part

2006 PT

Air Cleaner
Figure 14-810

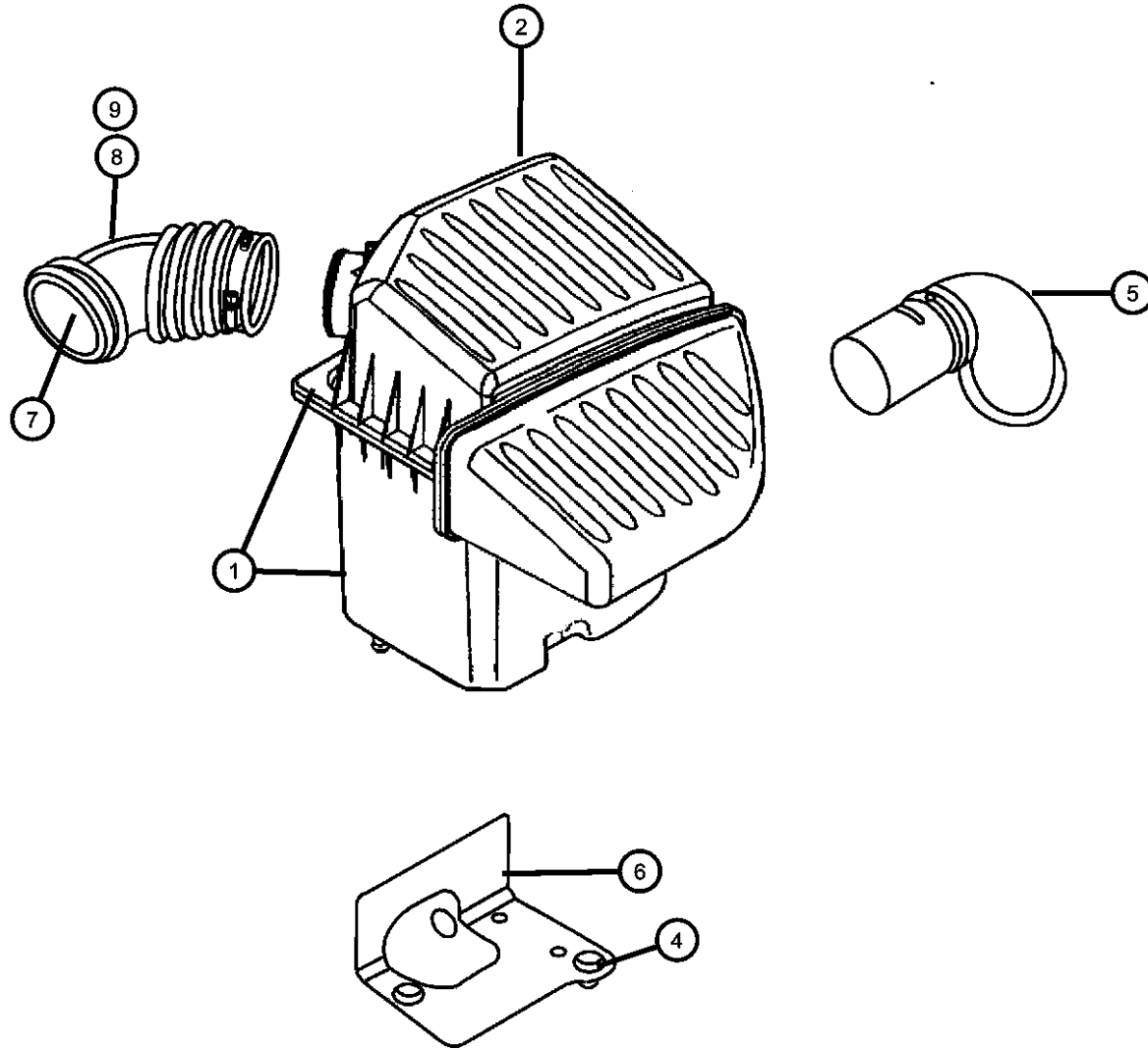
ITEM	PART NUMBER	QTY	LINE	SERIES	BODY	ENGINE	TRANS	TRIM	DESCRIPTION
------	-------------	-----	------	--------	------	--------	-------	------	-------------

Note; Sales Codes;

[EDT]= 2.4L I-4 DOHC 16 Valve Turbo Engine

[EDV]= 2.4L I-4 DOHC High Output Turbo Engine

[EDZ]= 2.4L 4 Cylinder DOHC 16 Valve SMPI Engine



1									AIR CLEANER
	04891733AB	1				EDJ			
	04891744AB	1				EDZ, EJD			
	04891999AC	1				EDT, EDV			
2	04891021AA	1				EJD			COVER, Air Cleaner
-3									FILTER, Air
	04891675AA	1				EDJ			
	04891691AA	1				EDZ, EJD			
		1				EDT, EDV			
4									GROMMET
	04669177	2				EDT, EDV			
		2				EDZ, EJD			
		3				EDJ			
5									HOSE, Fresh Air Duct
	04891330AC	1				EDZ, EJD			
	04891674AA	1				EDJ			
6									BRACKET, Air Cleaner
	04891648AA	1				EDT, EDV			
	04891654AB	1				EDJ			
	04891656AA	1				EDZ, EJD			
7									SENSOR, Charge Air Temp
	04606487AB	1				EDZ			
		1				EDT, EDV			
		1				EJD			
8									HOSE, Air Cleaner to T/Body
	04891496AB	1				EJD			
	04891558AA	1				EDZ			
9	04891406AB	1				EDT, EDV			HOSE, Clean Air

PT CRUISER (PT)

SERIES LINE
H = HIGHLINE C = CHRYSLER
P = PREMIUM Z = CHRYSLER (RHD)
S = SPORT
X = SPECIAL

BODY
27 = 2-DR CONVERTIBLE
44 = HATCHBACK/QUAD
CAB CHASSIS LWB

ENGINE
EDJ = 2.2L 4 Cyl Turbo Diesel Engine
EDT = 2.4L 4 Cyl DOHC 16V Turbo Engine
EDV = 2.4L 4 Cyl DOHC 16V HO Turbo Engine
EDZ = 2.4L 4 Cyl DOHC 16V SMPI Engine
EJD = 1.6L 4 Cyl SOHC 16V SMPI

TRANSMISSION
DGL = 4-Speed Automatic Transmission
DD5 = 5-Speed Manual Transmission
DDD = 5-Speed HD Manual Transmission

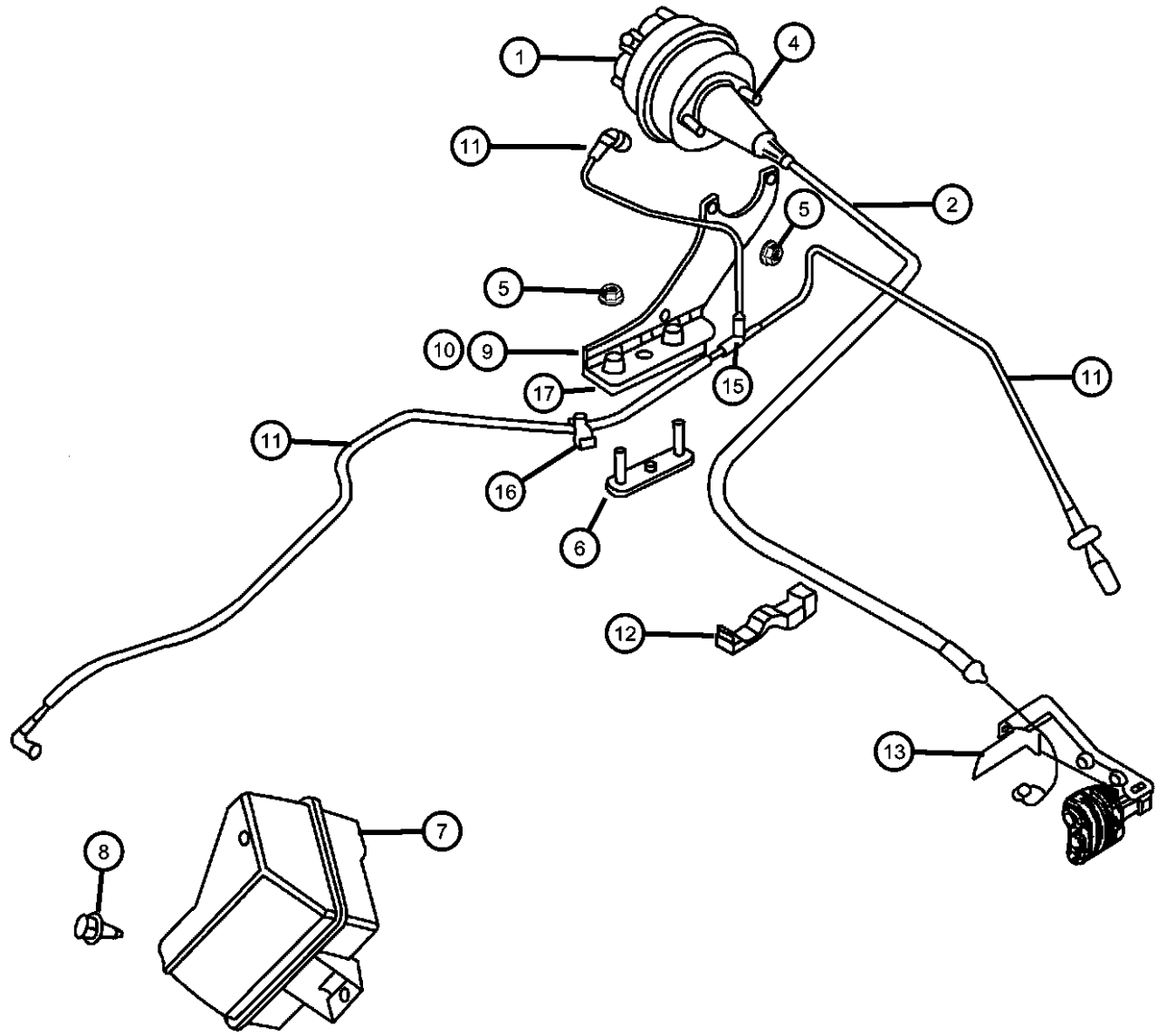
AR = use ase required - = Non illustrated part

2006 PT

**Speed Control
Figure 14-1010**

ITEM	PART NUMBER	QTY	LINE	SERIES	BODY	ENGINE	TRANS	TRIM	DESCRIPTION
------	-------------	-----	------	--------	------	--------	-------	------	-------------

Note; Sales Codes;
 [EDT]= 2.4L I-4 DOHC 16 Valve Turbo Engine
 [EDV]= 2.4L I-4 DOHC 16 Valve High Output Turbo Engine
 [EDZ]= 2.4L 4 Cylinder DOHC 16 Valve SMPI Engine



1	04669977	1				EDZ			SERVO, Speed Control
		1				EDT, EDV			
2	04891144AB	1				EDZ			CABLE, Speed Control
	05274505AC	1				EDT, EDV			
-3	06025867	1				EDZ			CLIP, Cable to Servo Attach
		1				EDT, EDV			
4	06100840	2				EDZ			NUT, Spring
		2				EDT, EDV			
5	05127449AA	4				EDT, EDV, EDZ			NUT, Hex, M6
6	04591046	1				EDT, EDV, EDZ			PLATE, Speed Control Servo
7	04891403AA	1				EDT, EDV, EDZ			RESERVOIR, Speed Control Vacuum
8	06101976	2				EDT, EDV, EDZ			SCREW, Hex Flange Head, M6.3x1.81x16
9	04891362AB	1				EDZ			BRACKET, Speed Control Servo
10	04668851AB	1				EDT, EDV			BRACKET, Solenoid
11	04891147AD	1				EDZ			HARNESS, Speed Control Vacuum
12	04891313AA	1	Z			EDZ			CLIP, Throttle Cables to Intake Manifold
13	04891156AC	1				EDT, EDV			BRACKET, Accelerator Cable
		1				EDZ			
-14	03502916	2				EDT, EDV			SPACER, Speed Control Servo
15	53030008	1				EDT, EDV			CONNECTOR, Vacuum, .25x.25x.25 Tee

PT CRUISER (PT)

SERIES LINE
 H = HIGHLINE C = CHRYSLER
 P = PREMIUM Z = CHRYSLER (RHD)
 S = SPORT
 X = SPECIAL

BODY
 27 = 2-DR CONVERTIBLE
 44 = HATCHBACK/QUAD
 CAB CHASSIS LWB

ENGINE
 EDJ = 2.2L 4 Cyl Turbo Diesel Engine
 EDT = 2.4L 4 Cyl DOHC 16V Turbo Engine
 EDV = 2.4L 4 Cyl DOHC 16V HO Turbo Engine
 EDZ = 2.4L 4 Cyl DOHC 16V SMPI Engine
 EJD = 1.6L 4 Cyl SOHC 16V SMPI

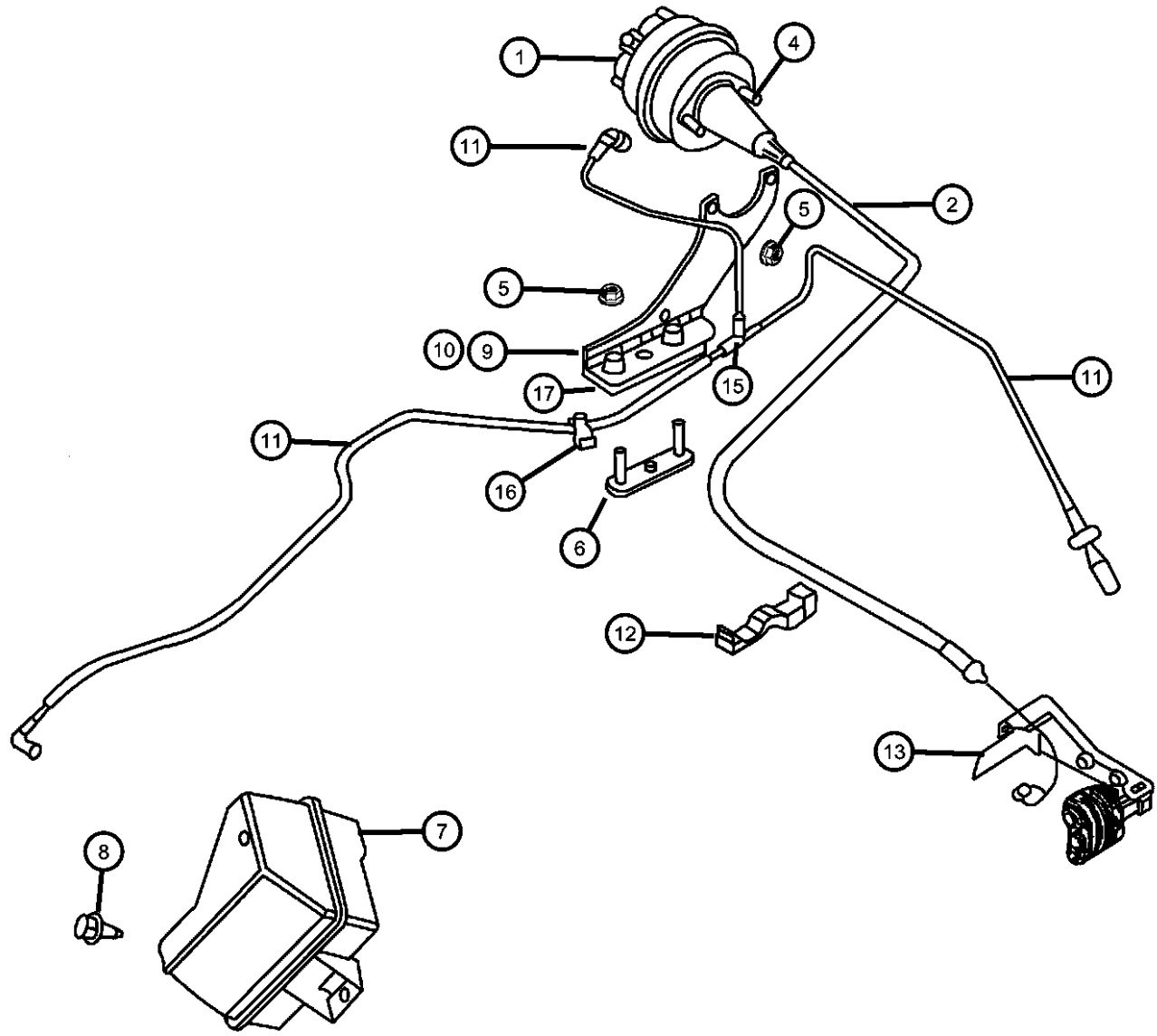
TRANSMISSION
 DGL = 4-Speed Automatic Transmission
 DD5 = 5-Speed Manual Transmission
 DDD = 5-Speed HD Manual Transmission

AR = use ase required - = Non illustrated part

2006 PT

**Speed Control
Figure 14-1010**

ITEM	PART NUMBER	QTY	LINE	SERIES	BODY	ENGINE	TRANS	TRIM	DESCRIPTION
16	06016234	1				EDT, EDV			CLIP
17	04592032	1				EDT, EDV			ISOLATOR PAD, Speed Control Mounting



PT CRUISER (PT)

SERIES	LINE	BODY	ENGINE	TRANSMISSION
H = HIGHLINE	C = CHRYSLER	27 = 2-DR CONVERTIBLE	EDJ = 2.2L 4 Cyl Turbo Diesel Engine	DGL = 4-Speed Automatic Transmission
P = PREMIUM	Z = CHRYSLER (RHD)	44 = HATCHBACK/QUAD CAB CHASSIS LWB	EDT = 2.4L 4 Cyl DOHC 16V Turbo Engine	DD5 = 5-Speed Manual Transmission
S = SPORT			EDV = 2.4L 4 Cyl DOHC 16V HO Turbo Engine	DDD = 5-Speed HD Manual Transmission
X = SPECIAL			EDZ = 2.4L 4 Cyl DOHC 16V SMPI Engine	
			EJD = 1.6L 4 Cyl SOHC 16V SMPI	

AR = use ase required - = Non illustrated part

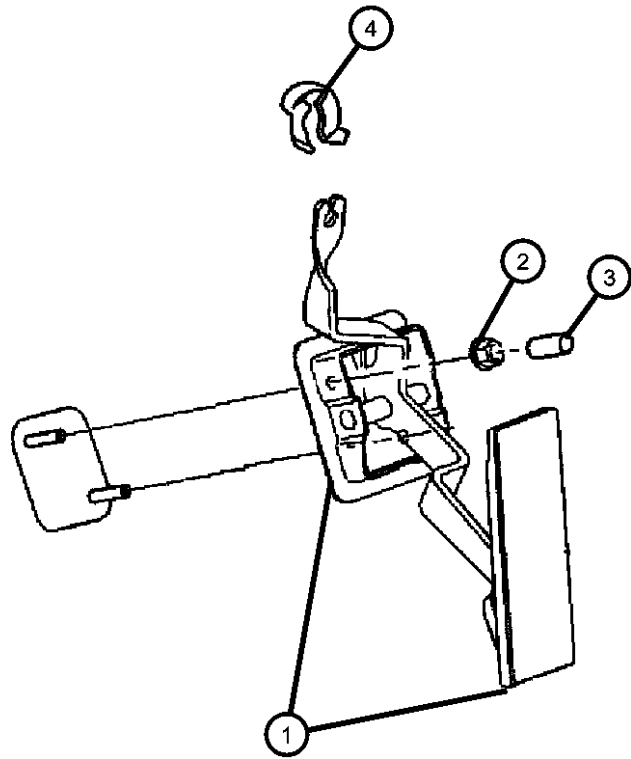
2006 PT

**Accelerator Pedal
Figure 14-1110**

ITEM	PART NUMBER	QTY	LINE	SERIES	BODY	ENGINE	TRANS	TRIM	DESCRIPTION
------	-------------	-----	------	--------	------	--------	-------	------	-------------

Note; Sales Codes;
[XAR]= Bright Pedal

1									PEDAL, Accelerator
	04669964AB	1				EJD			
	04891159AA	1	C						
	04891160AB	1	Z						Right Hand Drive
	04891670AA	1							[XAR]
2	06502843	2							NUT AND WASHER, Hex Nut-Coned Washer, M6 x 1.00
3	06504649	AR							CAP, Bolt Cover
4	05214613	1							CLIP, Cable



PT CRUISER (PT)

SERIES	LINE
H = HIGHLINE	C = CHRYSLER
P = PREMIUM	Z = CHRYSLER (RHD)
S = SPORT	
X = SPECIAL	

BODY
27 = 2-DR CONVERTIBLE
44 = HATCHBACK/QUAD
CAB CHASSIS LWB

ENGINE	TRANSMISSION
EDJ = 2.2L 4 Cyl Turbo Diesel Engine	DGL = 4-Speed Automatic Transmission
EDT = 2.4L 4 Cyl DOHC 16V Turbo Engine	DD5 = 5-Speed Manual Transmission
EDV = 2.4L 4 Cyl DOHC 16V HO Turbo Engine	DDD = 5-Speed HD Manual Transmission
EDZ = 2.4L 4 Cyl DOHC 16V SMPI Engine	
EJD = 1.6L 4 Cyl SOHC 16V SMPI	

AR = use ase required - = Non illustrated part

2006 PT

Group - 17

Rear Suspension

Group - 17 Rear Suspension

Group-Fig. No.

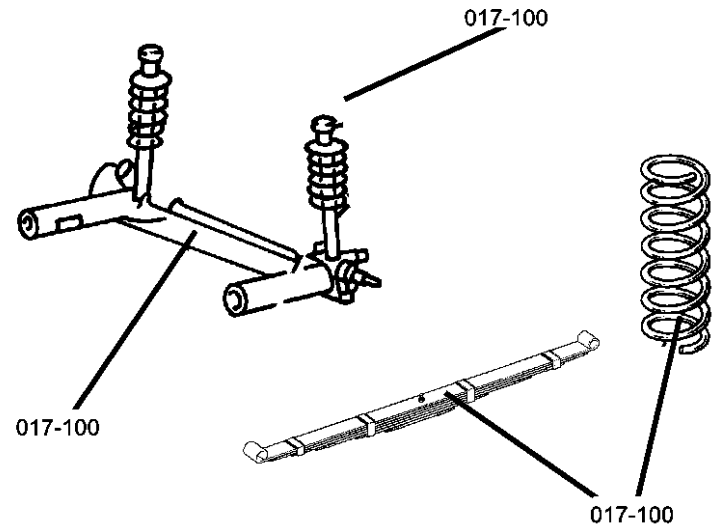
Illustration Title

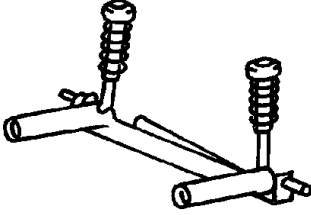
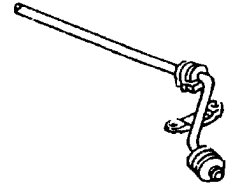
Rear Suspension

Suspension,RearFig. 17 - 110

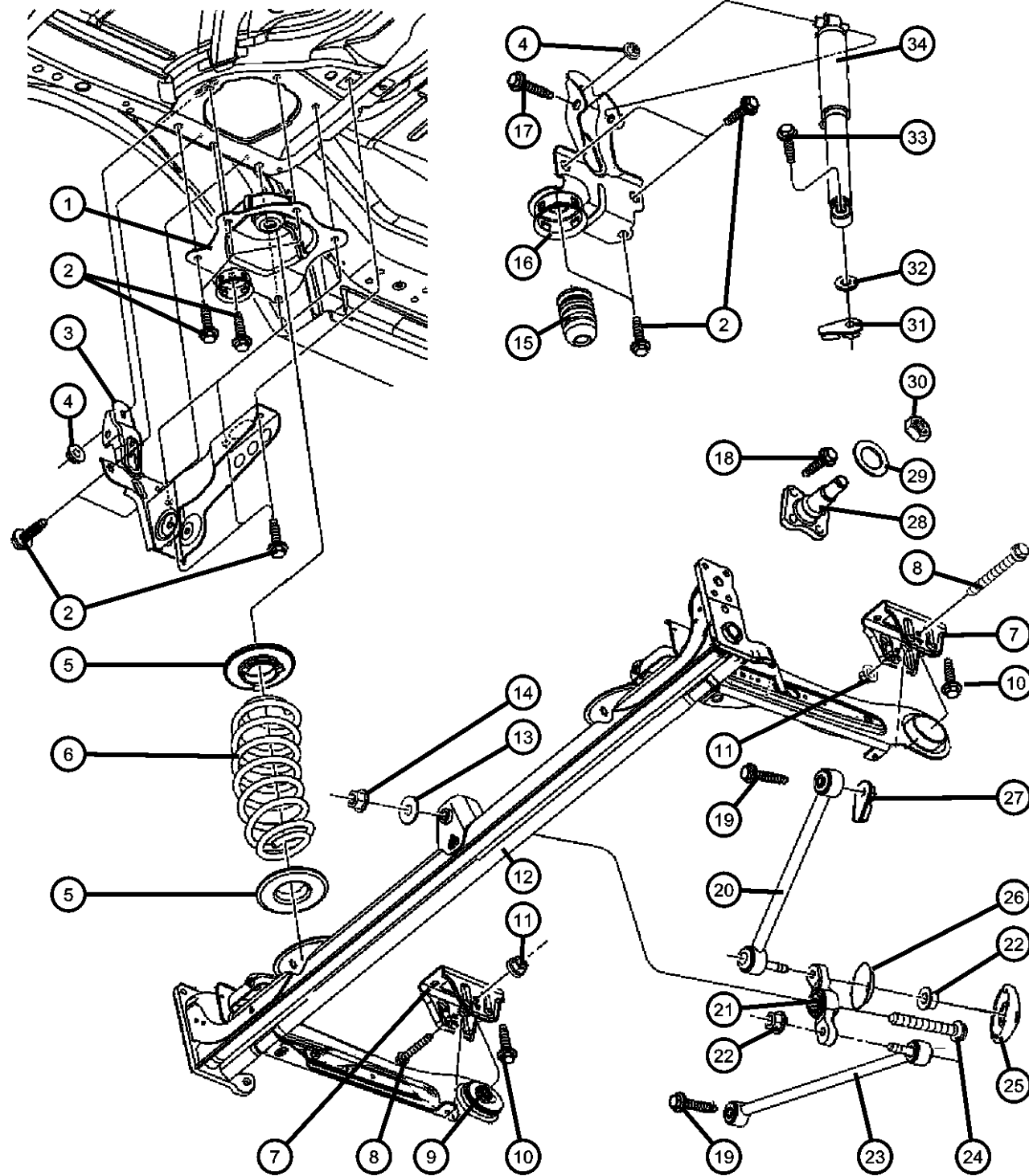
Rear Stabilizer

Sway Bar,RearFig. 17 - 210



<p>017-100 Rear Suspension</p> 	<p>017-200 Rear Stabilizer</p> 		
--	---	--	--

Suspension,Rear
Figure 17-110



ITEM	PART NUMBER	QTY	LINE	SERIES	BODY	ENGINE	TRANS	TRIM	DESCRIPTION
------	-------------	-----	------	--------	------	--------	-------	------	-------------

Note:Sales Codes
 [EDV]=2.4L I4 DOHC 16V H.O. Turbo
 [EDZ]=2.4L 4 Cylinder DOHC
 [SDA]=Normal Duty Suspension
 [SDC]=Touring Suspension
 [SDD]=Performance Suspension
 [SDE]=Performance Suspension
 [SDF]=Euro Suspension
 [ZAR] Thur[ZTV]=Spring Group Types Found on Individual Vehical Sales Code Listing

1									BRACKET, Suspension
	04724858AA	1							Right
	04724859AA	1							Left
2	06506027AA	18							SCREW, Hex Head, Brackets to Body, Mounting
3	04656444AB	1							BRACKET, Suspension, Lower Watts/Left Shock, Mounting
4	06507163AA	2							NUT AND WASHER, Hex, M12x1.75, Bracket to Body, Mounting
5	04656446AC	4							ISOLATOR, Spring
6									SPRING, Rear Coil
	04656541AB	1			44				[ZAR,ZNR]
	04656542AB	1			44				[ZAS,ZNS]
	04656543AB	1			44				[ZAT,ZNT]
	04656544AB	1			44				[ZAU,ZNU]
	04656545AB	1			44				[ZAV,ZNV]
	05085422AA	1			44				[ZDS,ZSS]
	05085423AA	1			44				[ZDT,ZST]
	05272451AB	1			44				[ZER,ZTR]
	05272452AB	1			44				[ZES,ZTS]
	05272453AB	1			44				[ZET,ZTT]
	05272454AB	1			44				[ZEU,ZTU]
	05272882AA	1			27				[ZES,ZTS]
	05272883AA	1			27				[ZET,ZTT]
	05272884AA	1			27				[ZEU,ZTU]
	05272885AA	1			27				[ZEV,ZTV]

PT CRUISER (PT)

SERIES LINE
 H = HIGHLINE C = CHRYSLER
 P = PREMIUM Z = CHRYSLER (RHD)
 S = SPORT
 X = SPECIAL

BODY
 27 = 2-DR CONVERTIBLE
 44 = HATCHBACK/QUAD CAB CHASSIS LWB

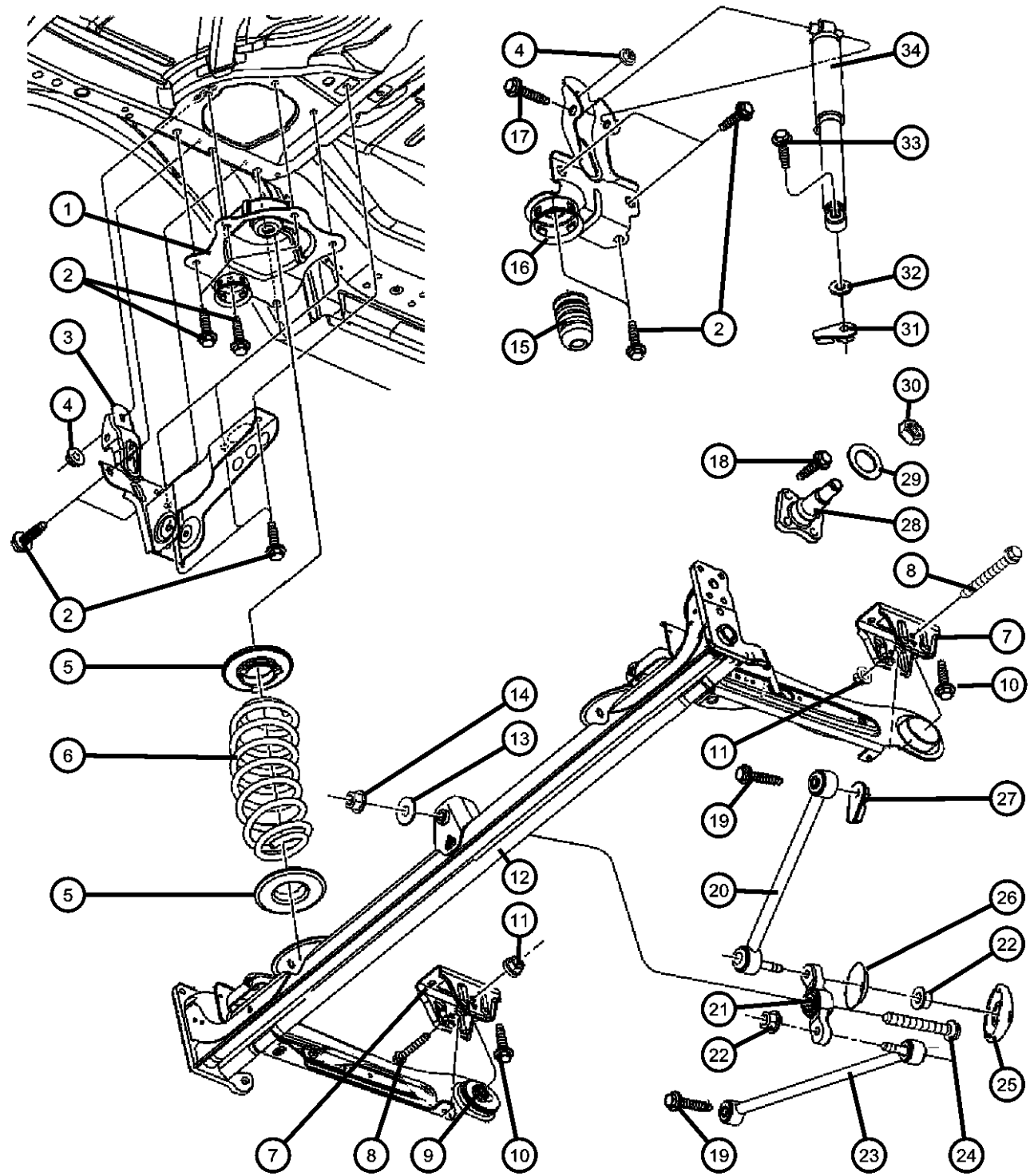
ENGINE
 EDJ = 2.2L 4 Cyl Turbo Diesel Engine
 EDT = 2.4L 4 Cyl DOHC 16V Turbo Engine
 EDV = 2.4L 4 Cyl DOHC 16V HO Turbo Engine
 EDZ = 2.4L 4 Cyl DOHC 16V SMPI Engine
 EJD = 1.6L 4 Cyl SOHC 16V SMPI

TRANSMISSION
 DGL = 4-Speed Automatic Transmission
 DD5 = 5-Speed Manual Transmission
 DDD = 5-Speed HD Manual Transmission

AR = use ase required - = Non illustrated part

2006 PT

Suspension,Rear
Figure 17-110



ITEM	PART NUMBER	QTY	LINE	SERIES	BODY	ENGINE	TRANS	TRIM	DESCRIPTION
7	05272523AA	2							BRACKET, Trailing Arm Pivot
8	06506148AA	2							SCREW, Hex Head, Trailing Arm to Bracket, Mounting
9									BUSHING, Trailing Arm
	05093787AA	1			44				SDA,SDC,SDD,SDE], Right or Left
		1			44				[SDF], Right or Left
		1			27				SDC,SDD,SDE,SDF], Right or Left
10	06505729AA	8							SCREW, Hex Head, Trailing Arm Bracket, Mounting
11	06502835	2							NUT, Hex Flange, M12x1.75, Trailing Arm to Bracket, Mounting
12									AXLE, Rear
	04656440AK	1			44				SDA,SDC,SDD,SDE]
	05272914AE	1			44				[SDF]
		1			27				SDC,SDD,SDE,SDF]
13	06502387	1							WASHER, Flat, Bell Crank to Axle, Mounting
14	06102176AA	1							NUT, Hex Lock, Bell Crank to Axle, Mounting
15	04656447AC	2							BUMPER, Jounce
16	04656562AC	1							BRACKET, Suspension, Right Shock, Mounting
17	06505770AA	2							SCREW, Hex Head, Shock to Bracket, Mounting
18	06502146	8							BOLT, Hex Head, Spindle, Mounting
19	06506771AA	2							SCREW AND WASHER, Hex Head, Watts to Bracket, Mounting
20	04656467AD	1							LINK, Upper Watts
21	04656465AF	1							LINK, Trackbar
22	06506276AA	2							NUT, Hex Flange Lock, M12x1.75, Upper Watts Link to Bellcrank, Mounting
23	04656466AD	1							LINK, Lower Watts
24	06506501AA	1							SCREW, Hex Head, Bell Crank to Axle, Mounting
25	04695221	1							CAP, Pivot BarBell Crank

PT CRUISER (PT)
 SERIES LINE
 H = HIGHLINE C = CHRYSLER
 P = PREMIUM Z = CHRYSLER (RHD)
 S = SPORT
 X = SPECIAL

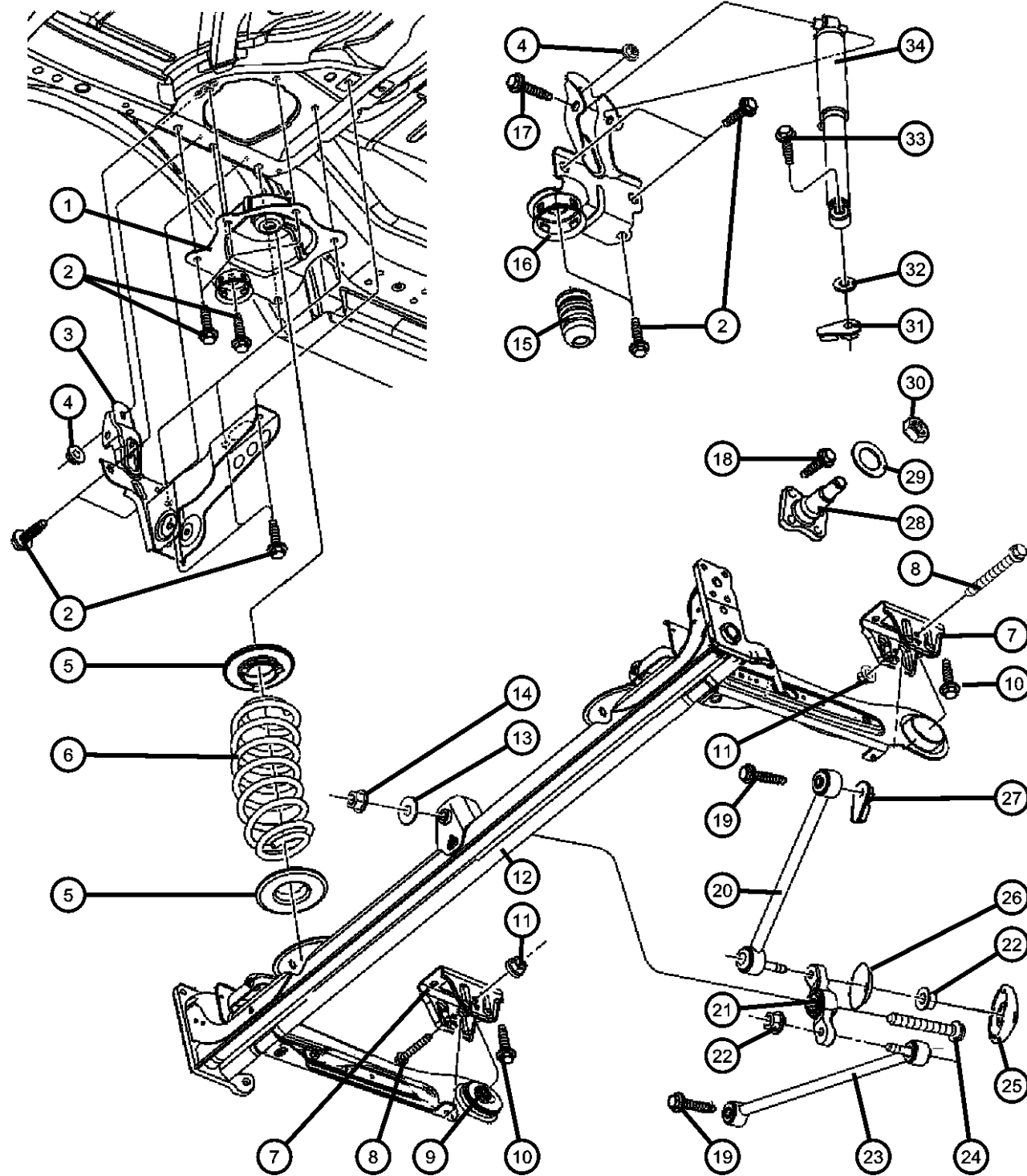
BODY
 27 = 2-DR CONVERTIBLE
 44 = HATCHBACK/QUAD CAB CHASSIS LWB

ENGINE
 EDJ = 2.2L 4 Cyl Turbo Diesel Engine
 EDT = 2.4L 4 Cyl DOHC 16V Turbo Engine
 EDV = 2.4L 4 Cyl DOHC 16V HO Turbo Engine
 EDZ = 2.4L 4 Cyl DOHC 16V SMPI Engine
 EJD = 1.6L 4 Cyl SOHC 16V SMPI

TRANSMISSION
 DGL = 4-Speed Automatic Transmission
 DD5 = 5-Speed Manual Transmission
 DDD = 5-Speed HD Manual Transmission

AR = use ase required - = Non illustrated part

Suspension,Rear
Figure 17-110



ITEM	PART NUMBER	QTY	LINE	SERIES	BODY	ENGINE	TRANS	TRIM	DESCRIPTION
26	05272337AB	1							CAP, Pivot Bar
27	06506649AA	1							NUT, Hex, Upper Watts to Bracket, Mounting
28	04656448AC	2							SPINDLE, Rear
29	04509544	2							SEAL, Brake Support
30	06502432	2							LOCK NUT, Rear Spindle, M20-1.50
31	06506633AA	2							NUT, Hex, Shock to Axle, Mounting
32	04656615AA	2							WASHER, Flat, Shock to Axle, Mounting
33	06101962	2							BOLT, Hex Flange Head, Shock to Axle, Mounting
34									SHOCK ABSORBER, Suspension
	04656439AG	2			44				[SDC]
	04656612AG	2			44				[SDF]
	04656678AG	2			44				[SDA]
	05085324AB	2			44				[SDD]
	05105114AB	2			27				[SDD,SDF]
	05105115AB	2			27				[SDC,SDE]
	05272982AE	2			44				[SDE]

PT CRUISER (PT)

SERIES LINE
H = HIGHLINE C = CHRYSLER
P = PREMIUM Z = CHRYSLER (RHD)
S = SPORT
X = SPECIAL

BODY
27 = 2-DR CONVERTIBLE
44 = HATCHBACK/QUAD CAB CHASSIS LWB

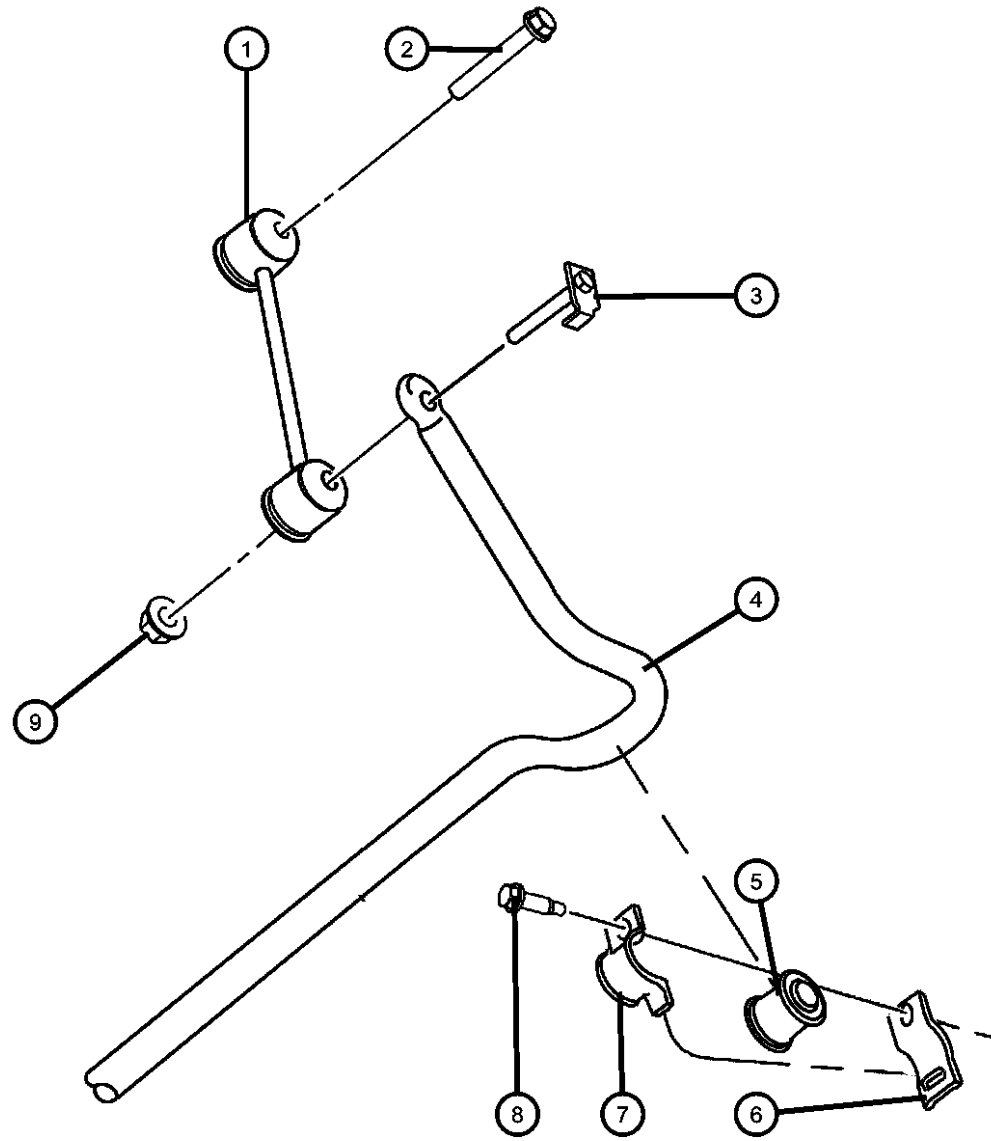
ENGINE
EDJ = 2.2L 4 Cyl Turbo Diesel Engine
EDT = 2.4L 4 Cyl DOHC 16V Turbo Engine
EDV = 2.4L 4 Cyl DOHC 16V HO Turbo Engine
EDZ = 2.4L 4 Cyl DOHC 16V SMPI Engine
EJD = 1.6L 4 Cyl SOHC 16V SMPI

TRANSMISSION
DGL = 4-Speed Automatic Transmission
DD5 = 5-Speed Manual Transmission
DDD = 5-Speed HD Manual Transmission

AR = use ase required - = Non illustrated part

2006 PT

Sway Bar,Rear
Figure 17-210



ITEM	PART NUMBER	QTY	LINE	SERIES	BODY	ENGINE	TRANS	TRIM	DESCRIPTION
1	04656934AB	2			44				LINK, Sway Eliminator
2	06506509AA	2			44				SCREW, Hex Head, Sway Bar Link to Rail, Mounting
3	06506496AA	2			44				BOLT, Sway Bar Link to Sway Bar, Mounting
4	05272923AA	1			44				BAR, Rear Sway
5	05272526AA	2			44				CUSHION, Sway Eliminator
6	04656940AA	2			44				RETAINER, Stabilizer Bar Grommet
7	04656927AA	2			44				RETAINER, Stabilizer Bar Grommet
8	06504010	2			44				SCREW AND WASHER, Hex Head, M10x1.50x35, Sway Bar Bracket to Axle, Mounting
9	06502696	2			44				NUT, Hex Flange Lock, M14x1.50, Sway Bar Link to Sway Bar, Mounting

PT CRUISER (PT)

SERIES LINE
H = HIGHLINE C = CHRYSLER
P = PREMIUM Z = CHRYSLER (RHD)
S = SPORT
X = SPECIAL

BODY
27 = 2-DR CONVERTIBLE
44 = HATCHBACK/QUAD
CAB CHASSIS LWB

ENGINE
EDJ = 2.2L 4 Cyl Turbo Diesel Engine
EDT = 2.4L 4 Cyl DOHC 16V Turbo Engine
EDV = 2.4L 4 Cyl DOHC 16V HO Turbo Engine
EDZ = 2.4L 4 Cyl DOHC 16V SMPI Engine
EJD = 1.6L 4 Cyl SOHC 16V SMPI

TRANSMISSION
DGL = 4-Speed Automatic Transmission
DD5 = 5-Speed Manual Transmission
DDD = 5-Speed HD Manual Transmission

AR = use ase required - = Non illustrated part

2006 PT

Group - 19

Steering

Group - 19 Steering

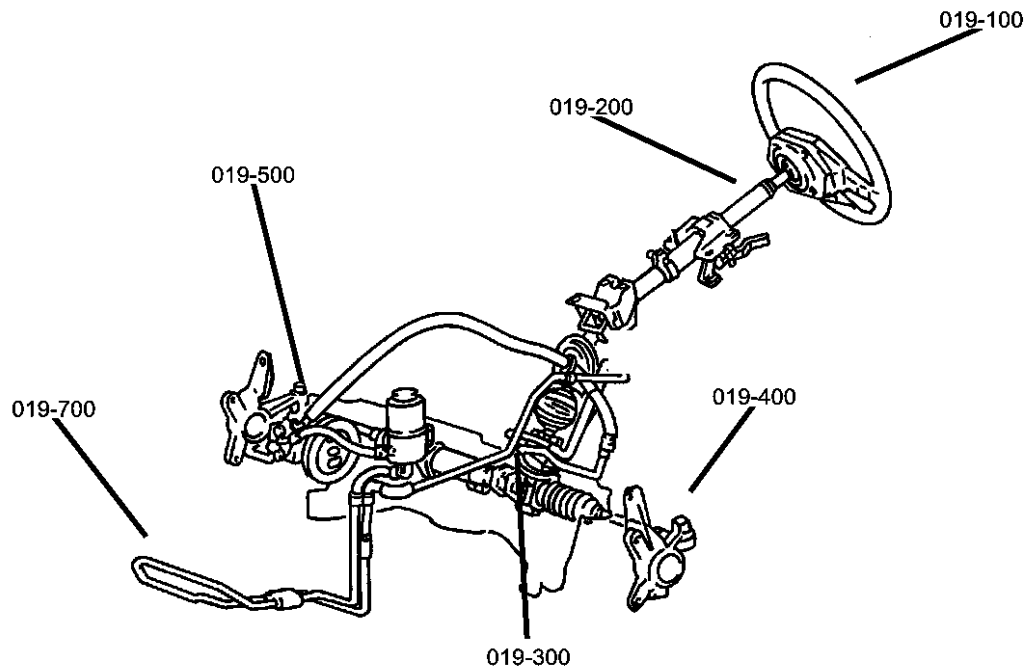


Illustration Title

Group-Fig. No.

Steering Wheel

Wheel, SteeringFig. 19 - 105

Steering Column

Column, Steering, Upper and Lower.....Fig. 19 - 205

Steering Gear

Gear, Rack and Pinion.....Fig. 19 - 305

Power Steering Pump

Pump Assembly and Mounting 1.6L [EJD].....Fig. 19 - 505

Pump Assembly and Mounting 2.2L [EDJ].....Fig. 19 - 510

Pump Assembly and Mounting 2.4L [EDT,EDV, EDZ] Engine.....Fig. 19 - 520

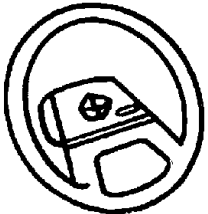
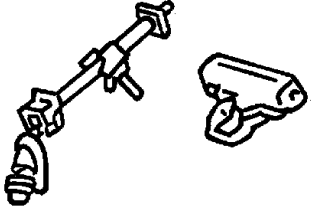
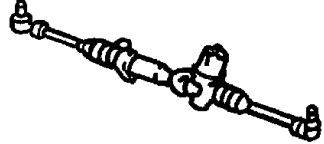
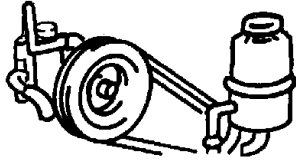

Power Steering Hoses

Hoses, 1.6L [EJD].....Fig. 19 - 705

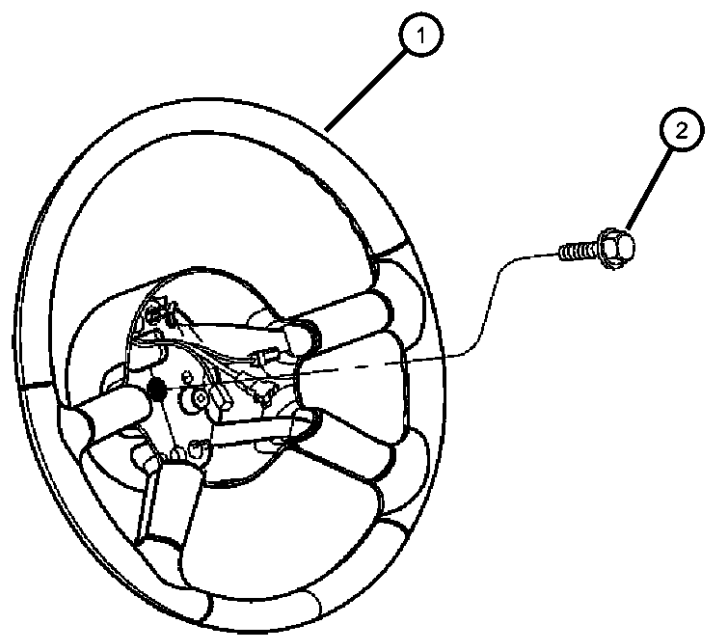
Hoses, 2.2L Diesel [EDJ].....Fig. 19 - 710

Hoses, 2.4L [EDZ] Engine.....Fig. 19 - 715

Hoses, 2.4L [EDV,EDT] Turbo Engine.....Fig. 19 - 720

<p>019-100 Steering Wheel</p> 	<p>019-200 Steering Column</p> 	<p>019-300 Steering Gear</p> 	<p>019-500 Power Steering Pump</p> 
<p>019-700 Power Steering Hoses</p> 			

Wheel, Steering
Figure 19-105



ITEM	PART NUMBER	QTY	LINE	SERIES	BODY	ENGINE	TRANS	TRIM	DESCRIPTION
1									WHEEL, Steering
	1EW87BDAAA	1							[DA] [NHM] Speed Control
	1EW87DKAAA	1							[KA] [NHM] Speed Control
	1EW88BDAAA	1							[DA] [-NHM] Without Speed Control
	1EW88DKAAA	1							[KA] [-NHM] Without Speed Control
	1EW90BDAAA	1				EDT, EDV, EDZ, EJD			[DA] [SCV] Leather Wrapped Steering Wheel without [NHM] Speed Control
	1EW90DK5AA	1				EDT, EDV, EDZ, EJD			[KA] [SCV] Leather Wrapped Steering Wheel without [NHM] Speed Control
	1EX89BDAAA	1	C, Z			EDT, EDV, EDZ, EJD			[DA] [NHM] Speed Control with [SCV] Leather Wrapped Steering Wheel Up to 11/07/05
	1EX89DK5AA	1	C, Z			EDT, EDV, EDZ, EJD			[KA] [NHM] Speed Control with [SCV] Leather Wrapped After 11/07/05
	1EX89DKAAA	1	C, Z			EDT, EDV, EDZ, EJD			[KA] [NHM] Speed Control with [SCV] Leather Wrapped Steering Wheel Up to 11/07/05
	1EX89XDHAA	1	C, Z			EDT, EDV, EDZ, EJD			[DA] [NHM] Speed Control with [SCV] Leather Wrapped After 11/07/05
	1EX911DAAA	1							[DA] [SCG] Leather Wrapped Steering Wheel
	1EX911K5AA	1							[KA] [SCG] Leather Wrapped Steering Wheel
	1EZ85BDAAA	1				EDJ			[DA] [NHM] Speed Control with [SCV] Leather Wrapped Steering Wheel Up to 11/07/05
	1EZ85DK5AA	1				EDJ			[KA] [NHM] Speed Control with [SCV] Leather Wrapped After 11/07/05
	1EZ85DKAAA	1				EDJ			[KA] [NHM] Speed Control with [SCV] Leather Wrapped Steering Wheel Up to 11/07/05
	1EZ85XDHAA	1				EDJ			[DA] [NHM] Speed Control with [SCV] Leather Wrapped After 11/07/05
2	06505656AA	1							SCREW, Hex Flange Head, M10x1.5x35.

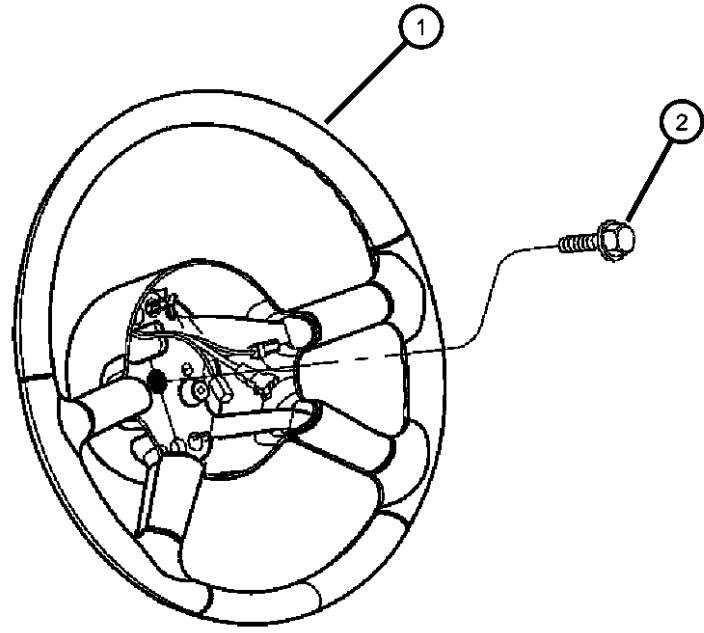
PT CRUISER (PT)

SERIES	LINE	BODY	ENGINE	TRANSMISSION
H = HIGHLINE	C = CHRYSLER	27 = 2-DR CONVERTIBLE	EDJ = 2.2L 4 Cyl Turbo Diesel Engine	DGL = 4-Speed Automatic Transmission
P = PREMIUM	Z = CHRYSLER (RHD)	44 = HATCHBACK/QUAD CAB CHASSIS LWB	EDT = 2.4L 4 Cyl DOHC 16V Turbo Engine	DD5 = 5-Speed Manual Transmission
S = SPORT			EDV = 2.4L 4 Cyl DOHC 16V HO Turbo Engine	DDD = 5-Speed HD Manual Transmission
X = SPECIAL			EDZ = 2.4L 4 Cyl DOHC 16V SMPI Engine	
			EJD = 1.6L 4 Cyl SOHC 16V SMPI	

AR = use ase required - = Non illustrated part

Wheel, Steering
Figure 19-105

ITEM	PART NUMBER	QTY	LINE	SERIES	BODY	ENGINE	TRANS	TRIM	DESCRIPTION
-3									AIR BAG, Driver
	0ZE64DK5AE	1							[KA] Up To 3/22/06
	0ZE64XDHAE	1							[DA] Up To 3/22/06
	0ZE64DK5AF	1	C, Z						[KA] After 3/22/06
	0ZE64XDHAF	1	C, Z						[DA] After 3/22/06
-4									COVER, Air Bag Module
	1BS56BDAAB	1							[DA] Up To 6/30/05
	1BS56DK5AB	1	C, Z						[DA] After 6/30/05
	1BS56DKAAB	1							[KA] Up to 6/30/05
	1BS56XDHAB	1	C, Z						[KA] After 6/30/05



PT CRUISER (PT)

SERIES LINE
H = HIGHLINE C = CHRYSLER
P = PREMIUM Z = CHRYSLER (RHD)
S = SPORT
X = SPECIAL

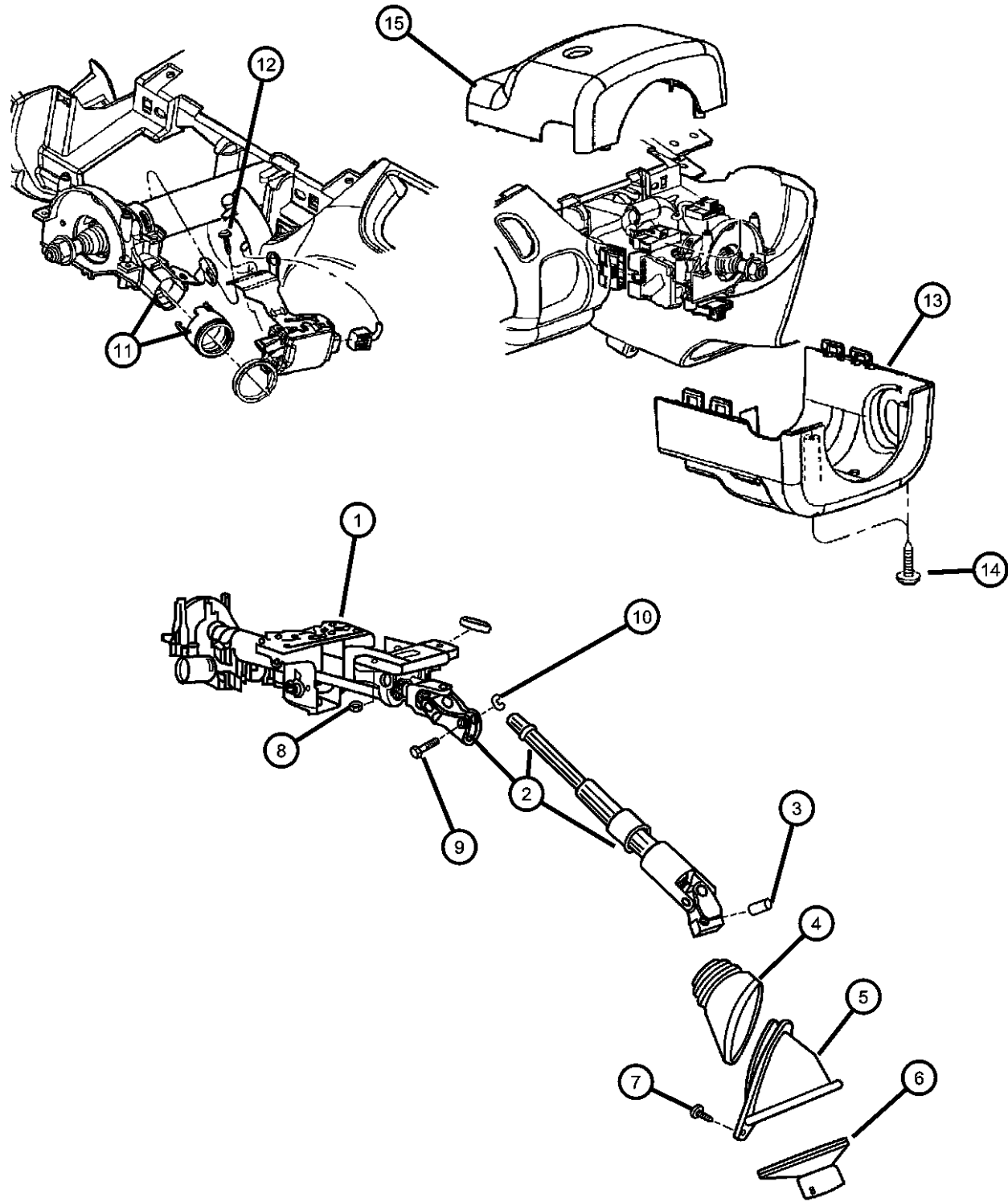
BODY
27 = 2-DR CONVERTIBLE
44 = HATCHBACK/QUAD
CAB CHASSIS LWB

ENGINE TRANSMISSION
EDJ = 2.2L 4 Cyl Turbo Diesel Engine
EDT = 2.4L 4 Cyl DOHC 16V Turbo Engine
EDV = 2.4L 4 Cyl DOHC 16V HO Turbo Engine
EDZ = 2.4L 4 Cyl DOHC 16V SMPI Engine
EJD = 1.6L 4 Cyl SOHC 16V SMPI
DGL = 4-Speed Automatic Transmission
DD5 = 5-Speed Manual Transmission
DDD = 5-Speed HD Manual Transmission

AR = use ase required - = Non illustrated part

2006 PT

**Column, Steering, Upper and Lower
Figure 19-205**



ITEM	PART NUMBER	QTY	LINE	SERIES	BODY	ENGINE	TRANS	TRIM	DESCRIPTION
------	-------------	-----	------	--------	------	--------	-------	------	-------------

Note: Sale Codes;
 [DDD]= 5 SPEED HEAVY DUTY MANUAL TRANSMISSION
 [DD5]= 5 SPEED MANUAL TRANSMISSION
 [DGL]= 4 Speed Automatic Transmission 41TE
 [EDZ]=2.4L 4 CYL DOHC 16V SMPI

1	05057231AK	1	C				DGL		COLUMN, Steering Without [ABB] Or [ABJ]
	05057232AK	1	C						With [ABB] Or [ABJ]
		1	Z						Without [LS9]
	05057233AK	1	C				DD5, DDD		Without [ABB] Or [ABJ]
	05057429AD	1	Z						With [LS9]
2									COUPLING, Steering Right Hand Drive
	04664235AC	1	Z						
	05057223AA	1	C						
	05057303AA	1	Z						
3	06503985	1							PIN, Spring, M8.4x30x1.60Steering Column
4	04664282AA	1							SEAL, Steering Column Shaft
5									COVER, Steering Column
	04664263AA	1	C						
	04664283AA	1	Z						
6									SEAL, Steering Column Shaft
	04664221AA	1					DD5, DGL		
	04664266AA	1					DDD		
7	06504456	4							SCREW, Tapping
8	06503182	4							NUT AND WASHER, Hex Lock Nut-Coned Teeth Washer, M8 x 1.25
9	06506112AA	1							BOLT
10	06036212AA	1							CLIP, Steering coupling
11									HOUSING, Steering Column Lock
	05057296AC	1	C				DGL		
	05057297AC	1	C				DD5, DDD		
12									SCREW, .164-18x1.00

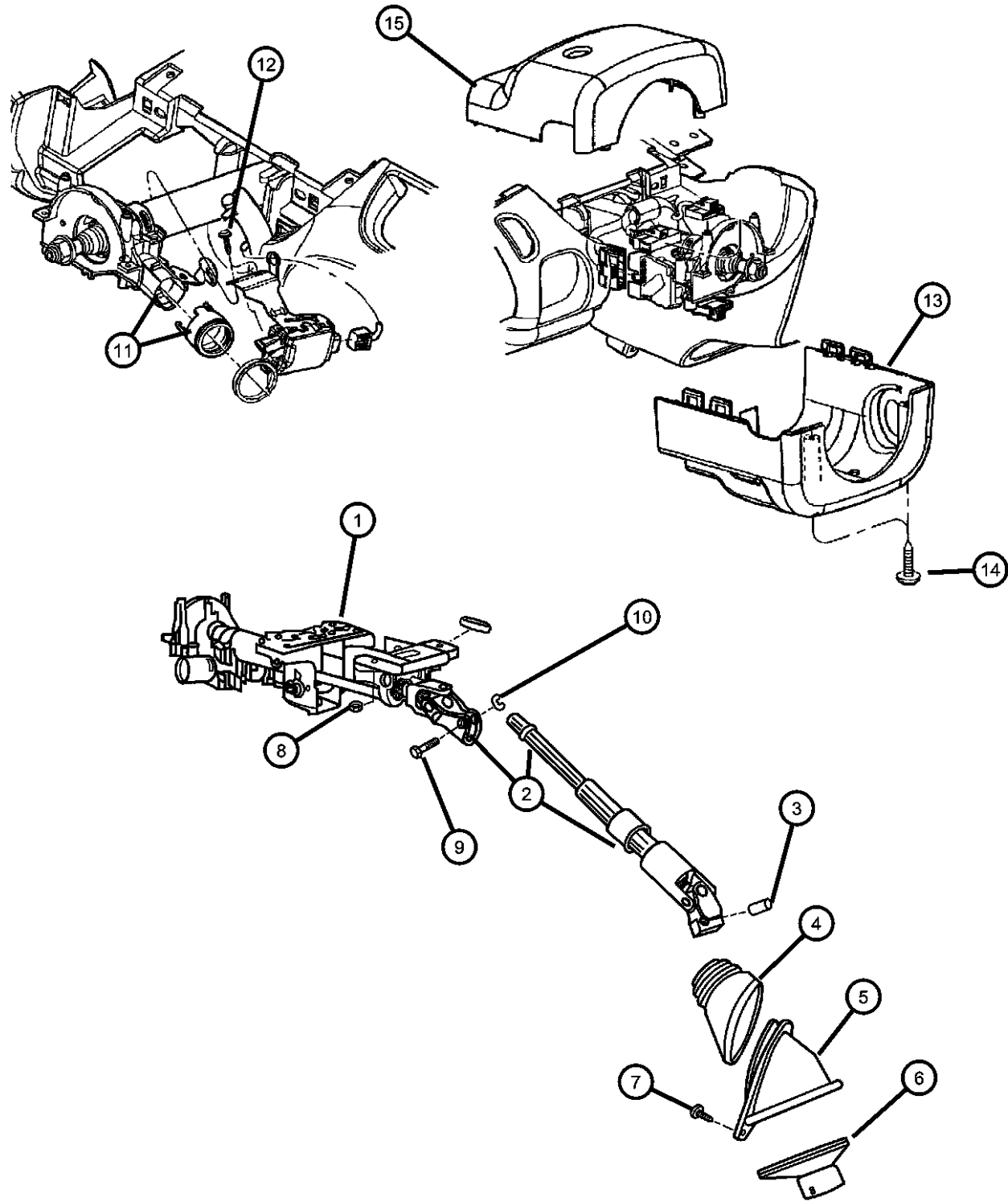
PT CRUISER (PT)

SERIES	LINE	BODY	ENGINE	TRANSMISSION
H = HIGHLINE	C = CHRYSLER	27 = 2-DR CONVERTIBLE	EDJ = 2.2L 4 Cyl Turbo Diesel Engine	DGL = 4-Speed Automatic Transmission
P = PREMIUM	Z = CHRYSLER (RHD)	44 = HATCHBACK/QUAD CAB CHASSIS LWB	EDT = 2.4L 4 Cyl DOHC 16V Turbo Engine	DD5 = 5-Speed Manual Transmission
S = SPORT			EDV = 2.4L 4 Cyl DOHC 16V HO Turbo Engine	DDD = 5-Speed HD Manual Transmission
X = SPECIAL			EDZ = 2.4L 4 Cyl DOHC 16V SMPI Engine	
			EJD = 1.6L 4 Cyl SOHC 16V SMPI	

AR = use ase required - = Non illustrated part

2006 PT

Column, Steering, Upper and Lower
Figure 19-205



ITEM	PART NUMBER	QTY	LINE	SERIES	BODY	ENGINE	TRANS	TRIM	DESCRIPTION
	06035937AA	2	C				DGL		
		2	C				DD5, DDD		
13	0ZT38BDAAA	1	C						SHROUD, Steering Column, Lower [DA] UpTo 11-7-05
	0ZT38DKAAA	1	Z						[KA] Up To 11-7-05
14	06035434	2							SCREW AND WASHER, Pan Head
15	0ZT36BDAAA	1							SHROUD, Steering Column, Upper [DA]
	0ZT36DKAAA	1							[KA]

PT CRUISER (PT)

SERIES LINE
H = HIGHLINE C = CHRYSLER
P = PREMIUM Z = CHRYSLER (RHD)
S = SPORT
X = SPECIAL

BODY
27 = 2-DR CONVERTIBLE
44 = HATCHBACK/QUAD
CAB CHASSIS LWB

ENGINE TRANSMISSION
EDJ = 2.2L 4 Cyl Turbo Diesel Engine
EDT = 2.4L 4 Cyl DOHC 16V Turbo Engine
EDV = 2.4L 4 Cyl DOHC 16V HO Turbo Engine
EDZ = 2.4L 4 Cyl DOHC 16V SMPI Engine
EJD = 1.6L 4 Cyl SOHC 16V SMPI
DGL = 4-Speed Automatic Transmission
DD5 = 5-Speed Manual Transmission
DDD = 5-Speed HD Manual Transmission

AR = use ase required - = Non illustrated part

2006 PT

**Gear, Rack and Pinion
Figure 19-305**

ITEM	PART NUMBER	QTY	LINE	SERIES	BODY	ENGINE	TRANS	TRIM	DESCRIPTION
------	-------------	-----	------	--------	------	--------	-------	------	-------------

Note; Sales Codes;

[DDD]= 5 Speed Heavy Duty Manual Transmission

[DD5]= 5 Speed Manual Transmission

[DGL]= 4 Speed Automatic Transmission 41TE/41AE

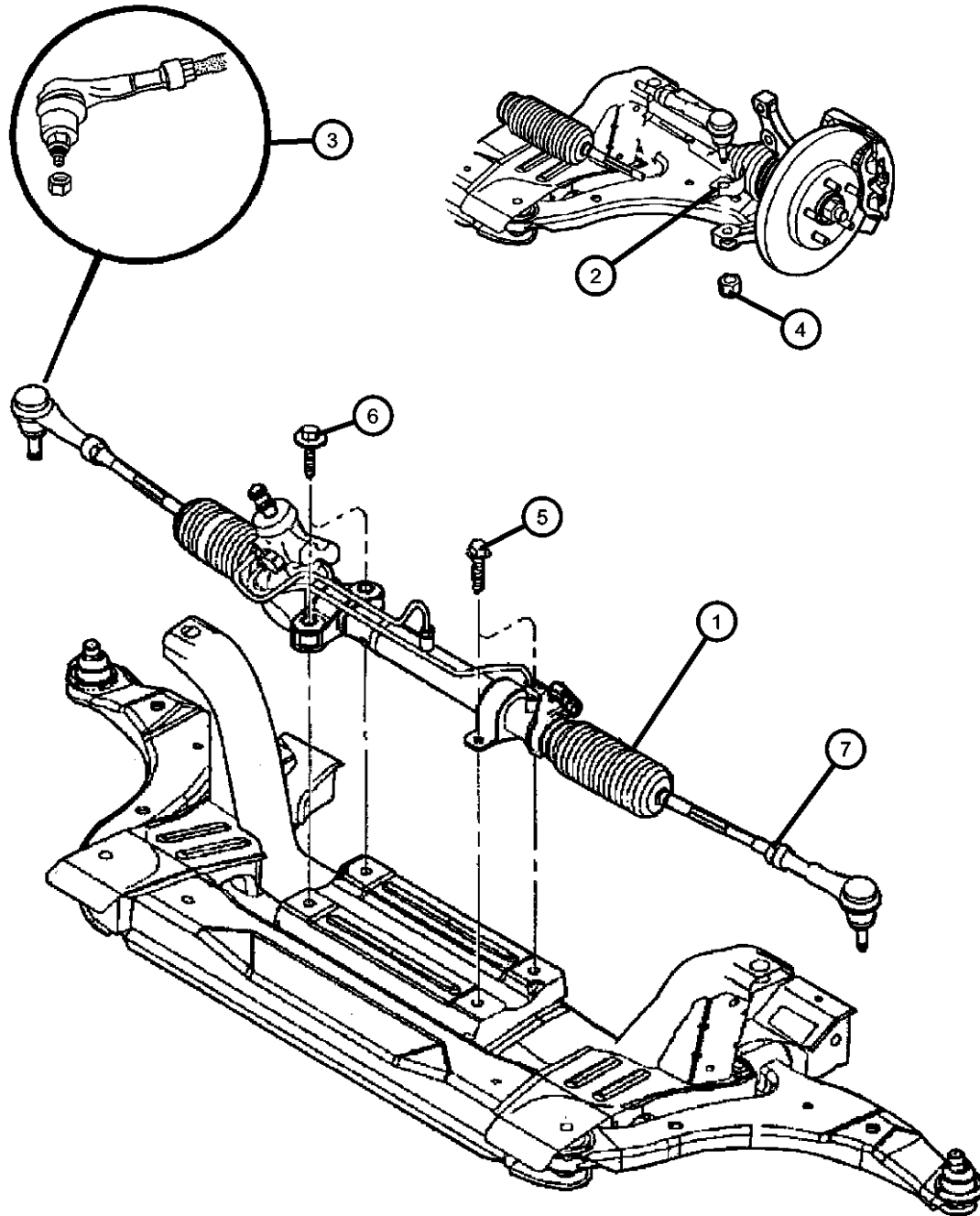
[EDT]= 2.4L I-4 DOHC 16 Valve Turbo Engine

[EDV]= 2.4L I-4 DOHC 16 Valve High Output Turbo Engine

[EDZ]= 2.4L 4 Cylinder DOHC 16 Valve SMPI Engine

[SBA]= Standard Power Steering

[SBB]=Firm Power Steering



1									GEAR, Power Steering
	04656456AI	1	C				DD5		[SBA] [WCF]
	04656458AF	1	C				DD5		[SBB]
	04656679AI	1	C				DD5		[SBA] [WN2,WLE,WNS]
	04656747AF	1	C				DGL		[SBB]
	04656748AF	1	Z			EDZ	DD5		[SBB], Right Hand Drive
		1	Z			EDZ	DGL		[SBB], Right Hand Drive
	04749070AG	1	C			EDV	DGL		[SBA]
	05085317AA	1	C			EDV	DDD		[SBB]
	05085520AA	1	C			EDT			[SBA]
		1	C			EDV	DDD		[SBA]
	05272289AE	1	C			EDJ	DDD		[SBB]
	05272297AE	1	Z			EDJ	DDD		[SBB], Right Hand Drive
	05272722AG	1	C			EDZ	DGL		[SBA]
	05273653AA	1	Z			EDZ	DGL		[SBB+AA4], Right Hand Drive
2									SHIELD, Heat
	04656672AA	1							Tie Rod, Right
	04656673AA	1							Tie Rod, Left
3									END PACKAGE, Tie Rod
	04762861AA	1	C				DD5		[SBA+WCF]
		1	C				DD5		[SBB]
		1	C				DD5		[SBA+WN2,WLE,WNS]
		1	C				DGL		[SBB]
		1	Z			EDZ	DD5		[SBB], Right Hand Drive
		2	Z			EDZ	DGL		[SBB], Right Hand Drive

PT CRUISER (PT)

SERIES LINE
H = HIGHLINE C = CHRYSLER
P = PREMIUM Z = CHRYSLER (RHD)
S = SPORT
X = SPECIAL

BODY
27 = 2-DR CONVERTIBLE
44 = HATCHBACK/QUAD
CAB CHASSIS LWB

ENGINE
EDJ = 2.2L 4 Cyl Turbo Diesel Engine
EDT = 2.4L 4 Cyl DOHC 16V Turbo Engine
EDV = 2.4L 4 Cyl DOHC 16V HO Turbo Engine
EDZ = 2.4L 4 Cyl DOHC 16V SMPI Engine
EJD = 1.6L 4 Cyl SOHC 16V SMPI

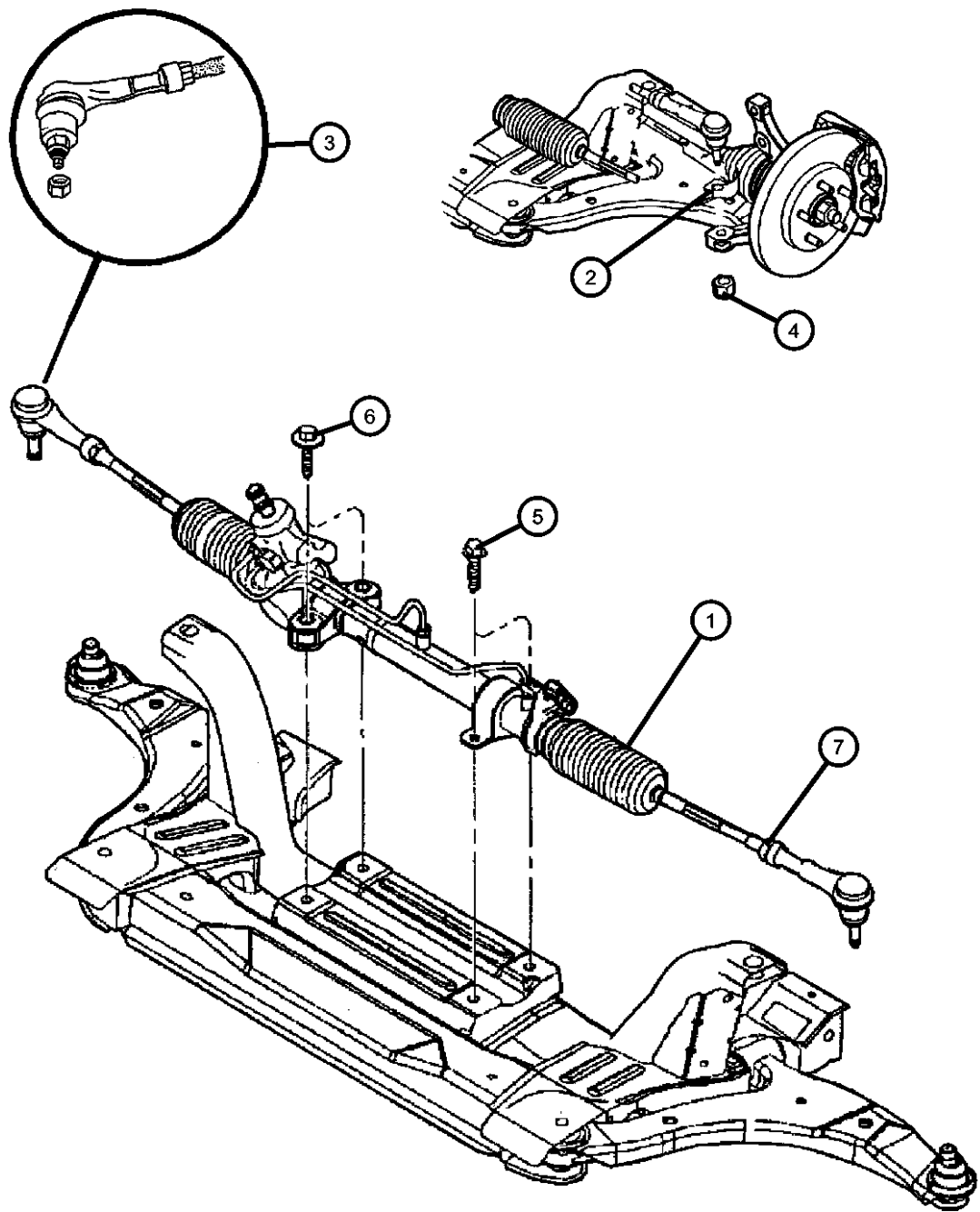
TRANSMISSION
DGL = 4-Speed Automatic Transmission
DD5 = 5-Speed Manual Transmission
DDD = 5-Speed HD Manual Transmission

AR = use ase required - = Non illustrated part

2006 PT

**Gear, Rack and Pinion
Figure 19-305**

ITEM	PART NUMBER	QTY	LINE	SERIES	BODY	ENGINE	TRANS	TRIM	DESCRIPTION
		2	C			EDV	DGL		[SBA]
		1	C			EDT			[SBA]
		1	C			EDV	DDD		[SBB]
		1	Z			EDJ	DDD		[SBB], Right Hand Drive
		1	C			EDJ	DDD		[SBB]
		1	C			EDZ	DGL		[SBA]
4	06503046	2							NUT, Hex Lock, M12 x 1.25
5	06506204AA	2							SCREW, Hex Head, Steering Bracket to Cross Member
6	06505606AA	2							SCREW, Hex Head, M10x1.50x50.00, Steering Gear to Cross Member
7	05015316AA	2	C				DD5		JAM NUT, Outer Tie Rod
		2	C				DGL		[SBB]
		2	Z			EDZ	DD5		[SBB], Right Hand Drive
		2	Z			EDZ	DGL		[SBB], Right Hand Drive
		2	C			EDT			[SBA]
		2	C			EDV	DDD		[SBA]
		2	C				DD5		[SBA+WN2,WLE,WNS]
		2	Z			EDJ	DDD		[SBB], Right Hand Drive
		2	C				DD5		[SBA+WCF]
		1	C			EDV	DGL		[SBA]
		1	C			EDV	DDD		[SBB]
		1	C			EDZ	DGL		[SBA]
-8	05269625	1	C				DD5		SWITCH, Power Steering
		1	C				DGL		
		1	C			EDV	DGL		



PT CRUISER (PT)

SERIES LINE
H = HIGHLINE C = CHRYSLER
P = PREMIUM Z = CHRYSLER (RHD)
S = SPORT
X = SPECIAL

BODY
27 = 2-DR CONVERTIBLE
44 = HATCHBACK/QUAD
CAB CHASSIS LWB

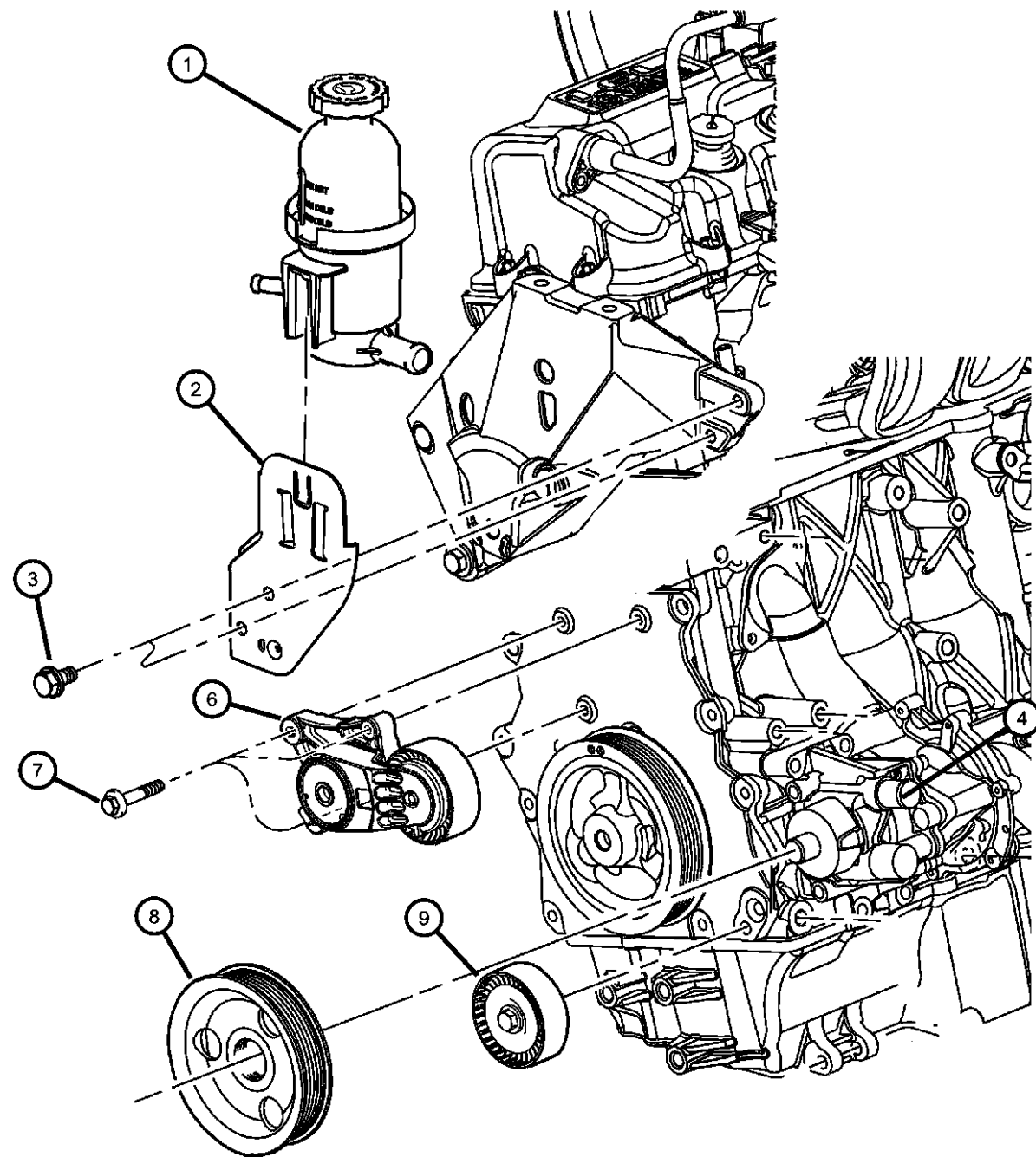
ENGINE TRANSMISSION
EDJ = 2.2L 4 Cyl Turbo Diesel Engine
EDT = 2.4L 4 Cyl DOHC 16V Turbo Engine
EDV = 2.4L 4 Cyl DOHC 16V HO Turbo Engine
EDZ = 2.4L 4 Cyl DOHC 16V SMPI Engine
EJD = 1.6L 4 Cyl SOHC 16V SMPI
DGL = 4-Speed Automatic Transmission
DD5 = 5-Speed Manual Transmission
DDD = 5-Speed HD Manual Transmission

AR = use ase required - = Non illustrated part

2006 PT

Pump Assembly and Mounting 1.6L [EJD]

Figure 19-505



ITEM	PART NUMBER	QTY	LINE	SERIES	BODY	ENGINE	TRANS	TRIM	DESCRIPTION
------	-------------	-----	------	--------	------	--------	-------	------	-------------

Note; Sales Codes;
[EJD]= 1.6L 4 Cylinder SOHC 16 Valve SMPI Engine

1	04656967AC	1				EJD			RESERVOIR, Power Steering Pump
2	04656966AA	1				EJD			BRACKET, Power Steering
3	06101506	2				EJD			BOLT AND CONED WASHER, M8x1.25x18
4	04693090AH	1				EJD			PUMP, Power Steering/Water
-5	06101940	2				EJD			SCREW, Pump to Block
6	04668451AA	1				EJD			TENSIONER, Belt
7	04668451AA	1							SCREW, M6x1.00x32.00, (NOT SERVICED)
8	04668450AA	1				EJD			PULLEY, Power Steering Pump
9	04668455AA	1				EJD			PULLEY, Idler

PT CRUISER (PT)

SERIES LINE
H = HIGHLINE C = CHRYSLER
P = PREMIUM Z = CHRYSLER (RHD)
S = SPORT
X = SPECIAL

BODY
27 = 2-DR CONVERTIBLE
44 = HATCHBACK/QUAD
CAB CHASSIS LWB

ENGINE TRANSMISSION
EDJ = 2.2L 4 Cyl Turbo Diesel Engine
EDT = 2.4L 4 Cyl DOHC 16V Turbo Engine
EDV = 2.4L 4 Cyl DOHC 16V HO Turbo Engine
EDZ = 2.4L 4 Cyl DOHC 16V SMPI Engine
EJD = 1.6L 4 Cyl SOHC 16V SMPI
DGL = 4-Speed Automatic Transmission
DD5 = 5-Speed Manual Transmission
DDD = 5-Speed HD Manual Transmission

AR = use ase required - = Non illustrated part

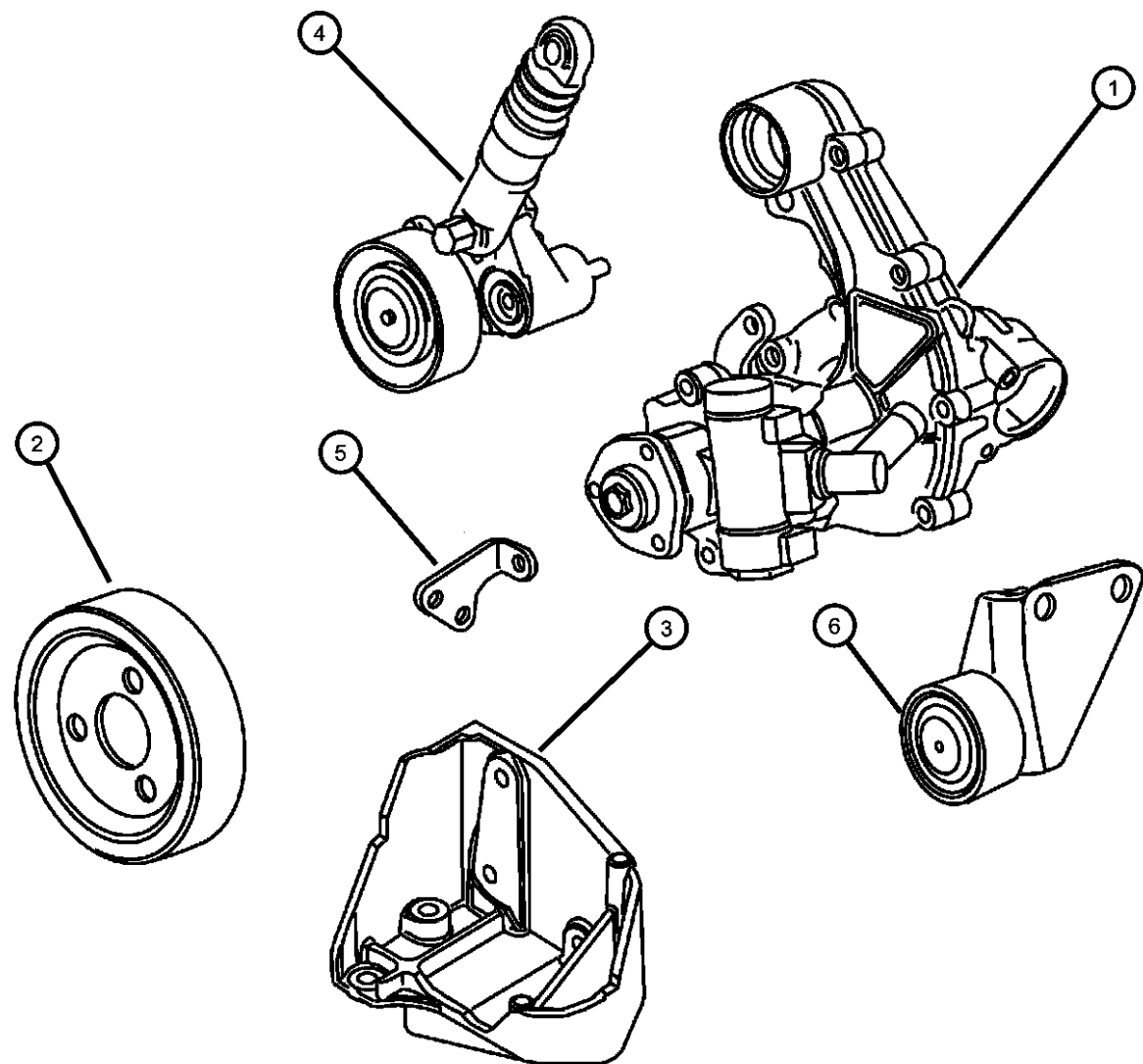
2006 PT

**Pump Assembly and Mounting 2.2L [EDJ]
Figure 19-510**

ITEM	PART NUMBER	QTY	LINE	SERIES	BODY	ENGINE	TRANS	TRIM	DESCRIPTION
------	-------------	-----	------	--------	------	--------	-------	------	-------------

Note: Sales Codes:
[EDJ]= 2.2L Cylinder Turbo Diesel Engine

1	05080488AB	1				EDJ			PUMP, Power Steering/Water
2	05080492AA	1				EDJ			PULLEY, Water Pump
3	53013545AA	1				EDJ			BRACKET, Power Steering Pump
4	05080312AB	1				EDJ			TENSIONER, Belt
5	05080498AA	1				EDJ			BRACKET
6	05080319AA	1				EDJ			PULLEY, Tensioner



PT CRUISER (PT)

SERIES LINE
H = HIGHLINE C = CHRYSLER
P = PREMIUM Z = CHRYSLER (RHD)
S = SPORT
X = SPECIAL

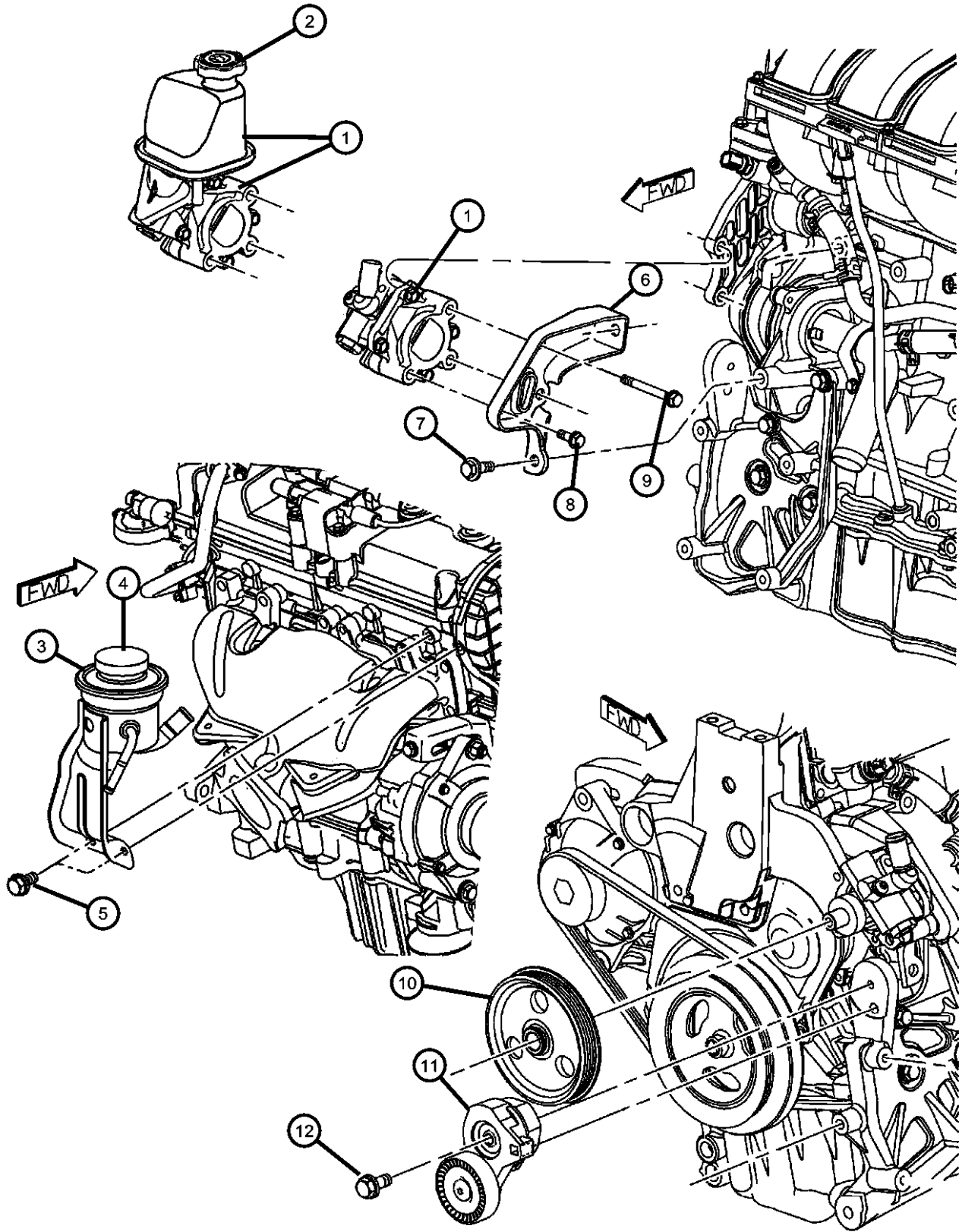
BODY
27 = 2-DR CONVERTIBLE
44 = HATCHBACK/QUAD
CAB CHASSIS LWB

ENGINE TRANSMISSION
EDJ = 2.2L 4 Cyl Turbo Diesel Engine
EDT = 2.4L 4 Cyl DOHC 16V Turbo Engine
EDV = 2.4L 4 Cyl DOHC 16V HO Turbo Engine
EDZ = 2.4L 4 Cyl DOHC 16V SMPI Engine
EJD = 1.6L 4 Cyl SOHC 16V SMPI
DGL = 4-Speed Automatic Transmission
DD5 = 5-Speed Manual Transmission
DDD = 5-Speed HD Manual Transmission

AR = use ase required - = Non illustrated part

2006 PT

Pump Assembly and Mounting 2.4L [EDT,EDV, EDZ] Engine
Figure 19-520



ITEM	PART NUMBER	QTY	LINE	SERIES	BODY	ENGINE	TRANS	TRIM	DESCRIPTION
------	-------------	-----	------	--------	------	--------	-------	------	-------------

Note: Sales Codes
 [EDT]= 2.4L I-4 DOHC 16 Valve Turbo Engine
 [EDV]= 2.4L I-4 DOHC 16 Valve High Output Turbo Engine
 [EDZ]= 2.4L 4 Cylinder 16 Valve SMPI Engine

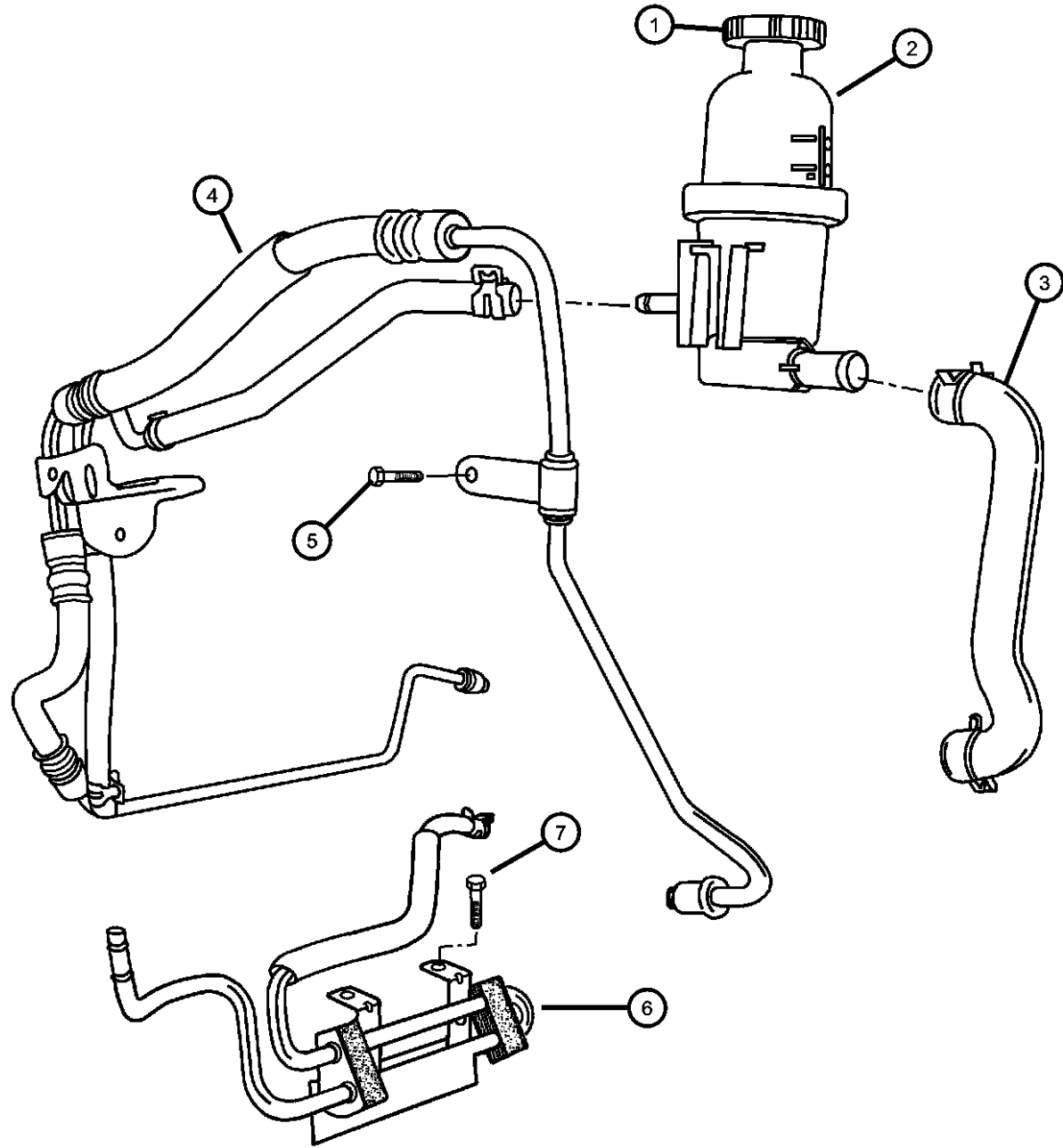
1									PUMP, Power Steering With Reservoir
	05272313AG	1				EDT, EDV			Mopar Power Steering Fluid Pint
	05166226AA								Without Reservoir
	05272929AC	1				EDZ			Mopar Power Steering Fluid Pint
	05166226AA								Without Reservoir
2	05093490AA	1				EDT, EDV			CAP, Power Steering Reservoir
3									RESERVOIR, Power Steering Pump
	05272426AA	1	Z			EDZ			
	05272351AA	1	C			EDZ			
4									CAP, Power Steering Reservoir
	05066031AA	1	C			EDZ			
	05066199AA	1	Z			EDZ			
5	06504130	2				EDZ			BOLT AND CONED WASHER, M8x1.25x18
6	04891517AA	1				EDT, EDV, EDZ			STRUT, Power Steering Pump
7	06101503	2				EDT, EDV, EDZ			SCREW AND WASHER, Hex Head, M10x1.5x25
8	06101503	2				EDT, EDV, EDZ			SCREW AND WASHER, Hex Head, M8x1.25x25, M8x1.25x25.00MM, (NOT SERVICED)
9	06101983	3				EDT, EDV, EDZ			SCREW
10									PULLEY, Power Steering Pump
	04668448AA	1				EDT, EDV			
		1				EDZ			
11	04668509AD	1				EDT, EDV, EDZ			BRACKET, Tensioner
12	06101763	1				EDT, EDV, EDZ			BOLT AND WASHER, Hex Head, M10x1.5

PT CRUISER (PT)

SERIES	LINE	BODY	ENGINE	TRANSMISSION
H = HIGHLINE	C = CHRYSLER	27 = 2-DR CONVERTIBLE	EDJ = 2.2L 4 Cyl Turbo Diesel Engine	DGL = 4-Speed Automatic Transmission
P = PREMIUM	Z = CHRYSLER (RHD)	44 = HATCHBACK/QUAD CAB CHASSIS LWB	EDT = 2.4L 4 Cyl DOHC 16V Turbo Engine	DD5 = 5-Speed Manual Transmission
S = SPORT			EDV = 2.4L 4 Cyl DOHC 16V HO Turbo Engine	DDD = 5-Speed HD Manual Transmission
X = SPECIAL			EDZ = 2.4L 4 Cyl DOHC 16V SMPI Engine	
			EJD = 1.6L 4 Cyl SOHC 16V SMPI	

AR = use ase required - = Non illustrated part

Hoses, 1.6L [EJD]
Figure 19-705



ITEM	PART NUMBER	QTY	LINE	SERIES	BODY	ENGINE	TRANS	TRIM	DESCRIPTION
1	52128513AA	1				EJD			CAP, Power Steering Reservoir
2	04656967AC	1				EJD			RESERVOIR, Power Steering Pump
3	04656962AD	1				EJD			HOSE, Pump Supply
4	04656964AE	1	C			EJD			HOSE, Power Steering Pressure
5	06505911AA	1				EJD			SCREW, Hex Head, Pressure Line Attaching
6	04656616AH	1	C			EJD			COOLER, Power Steering
7	06505911AA	2				EDZ, EJD			SCREW, Hex Head

Note: Sales Codes;
[ECC]= 2.0L 4 Cylinder DOHC 16 Valve SMPI Engine
[EDZ]= 2.4L 4 Cylinder DOHC 16 Valve SMPI Engine
[EJD]= 1.6L 4 Cylinder SOHC 16 Valve SMPI Engine

PT CRUISER (PT)

SERIES LINE
H = HIGHLINE C = CHRYSLER
P = PREMIUM Z = CHRYSLER (RHD)
S = SPORT
X = SPECIAL

BODY
27 = 2-DR CONVERTIBLE
44 = HATCHBACK/QUAD
CAB CHASSIS LWB

ENGINE
EDJ = 2.2L 4 Cyl Turbo Diesel Engine
EDT = 2.4L 4 Cyl DOHC 16V Turbo Engine
EDV = 2.4L 4 Cyl DOHC 16V HO Turbo Engine
EDZ = 2.4L 4 Cyl DOHC 16V SMPI Engine
EJD = 1.6L 4 Cyl SOHC 16V SMPI

TRANSMISSION
DGL = 4-Speed Automatic Transmission
DD5 = 5-Speed Manual Transmission
DDD = 5-Speed HD Manual Transmission

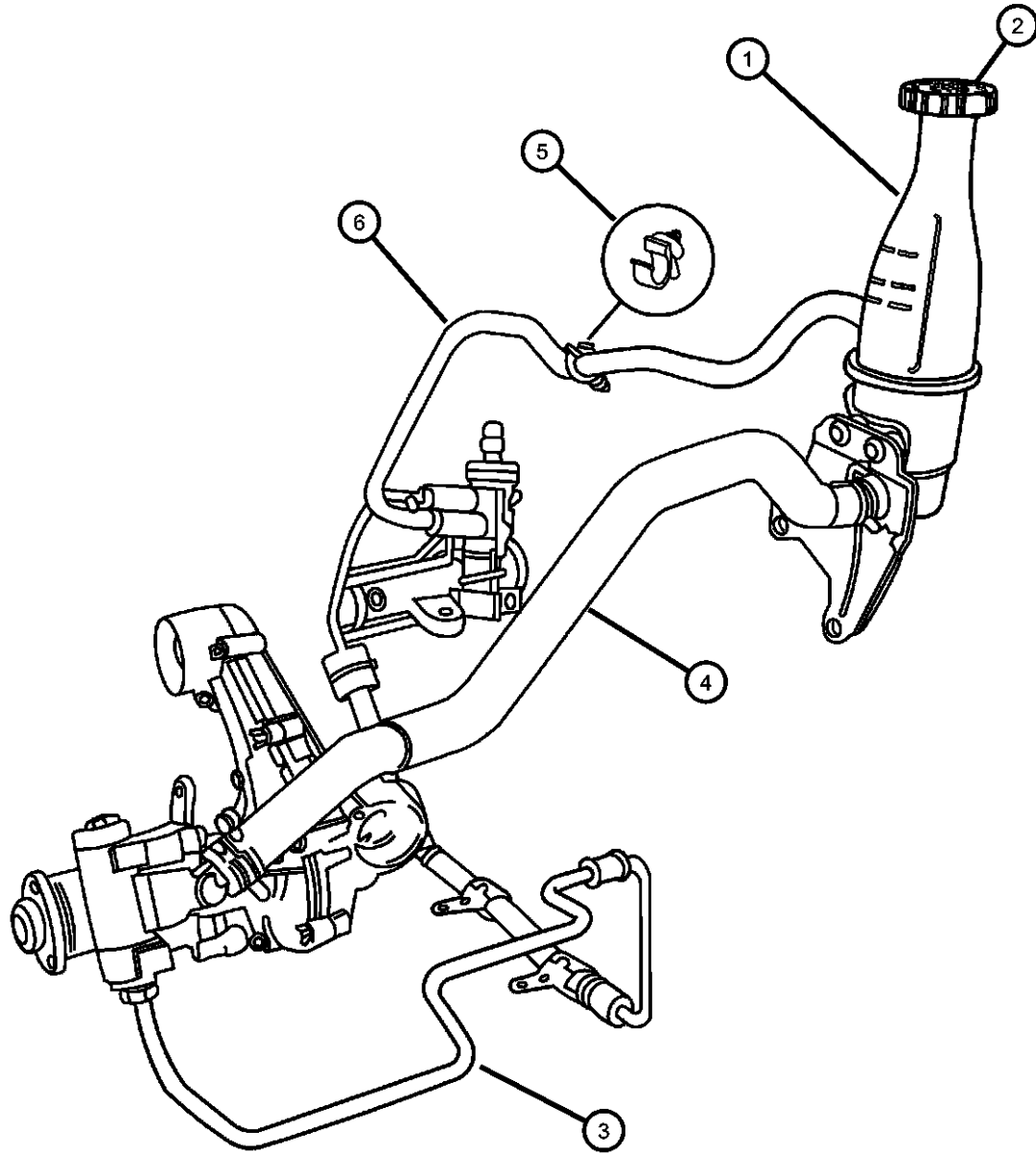
AR = use ase required - = Non illustrated part

Hoses, 2.2L Diesel [EDJ]
Figure 19-710

ITEM	PART NUMBER	QTY	LINE	SERIES	BODY	ENGINE	TRANS	TRIM	DESCRIPTION
------	-------------	-----	------	--------	------	--------	-------	------	-------------

Note: Sales Codes;
[EDJ]= 2.2L Cylinder Turbo Diesel Engine

1	05273593AA	1				EDJ			RESERVOIR, Power Steering Pump
2	52128513AA	1				EDJ			CAP, Power Steering Reservoir
3									HOSE, Power Steering Pressure Right Hand Drive
	04656971AD	1	Z			EDJ			
	04656972AC	1	C			EDJ			
4	05273594AA	1				EDJ			HOSE, Pump Supply
5	05272436AA	1				EDJ			CLIP, Power Steering Hose
6									HOSE, Power Steering Return
	05273595AA	1	C			EDJ			
	05273661AA	1	Z			EDJ			Right Hand Drive



PT CRUISER (PT)

SERIES LINE
H = HIGHLINE C = CHRYSLER
P = PREMIUM Z = CHRYSLER (RHD)
S = SPORT
X = SPECIAL

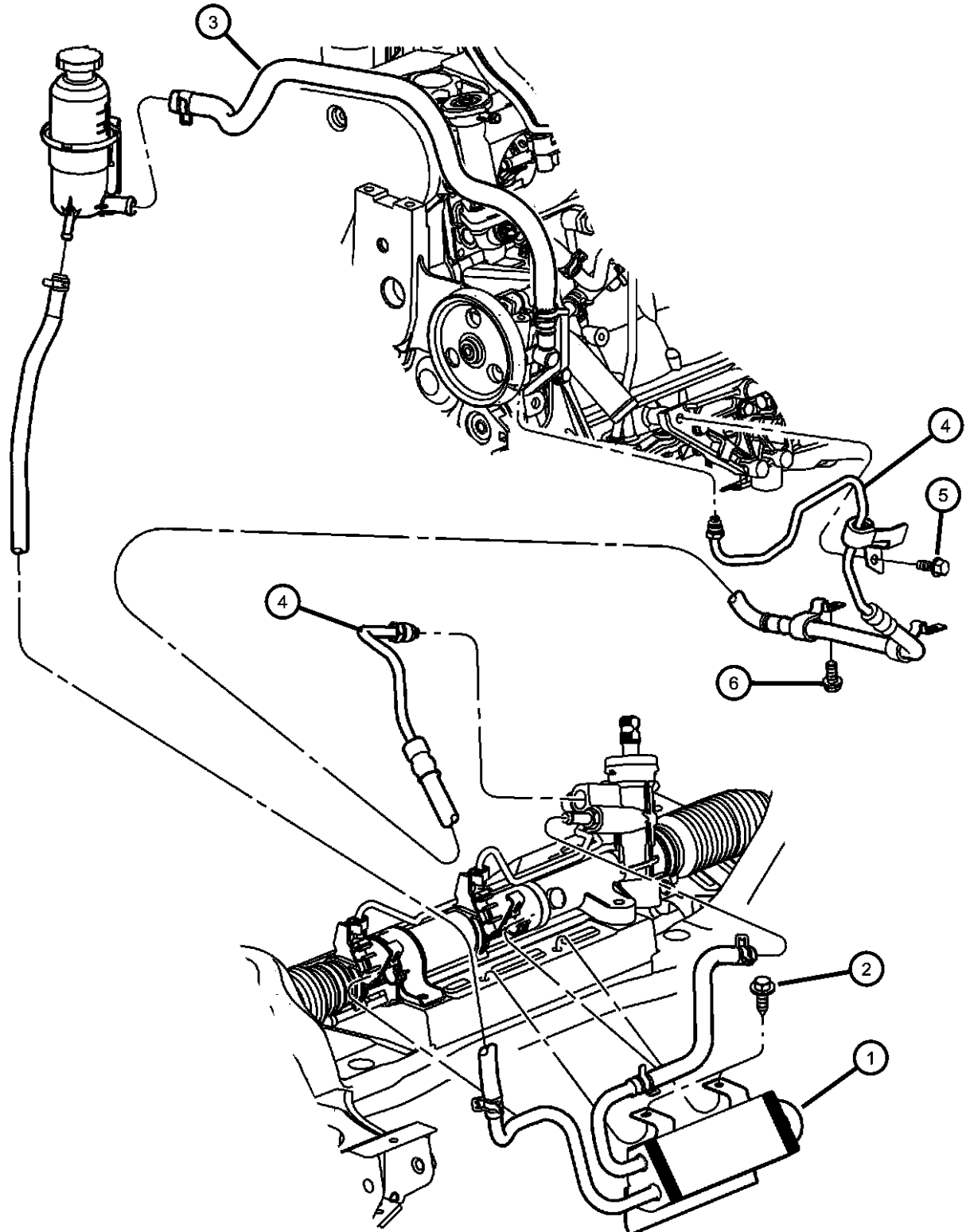
BODY
27 = 2-DR CONVERTIBLE
44 = HATCHBACK/QUAD
CAB CHASSIS LWB

ENGINE TRANSMISSION
EDJ = 2.2L 4 Cyl Turbo Diesel Engine
EDT = 2.4L 4 Cyl DOHC 16V Turbo Engine
EDV = 2.4L 4 Cyl DOHC 16V HO Turbo Engine
EDZ = 2.4L 4 Cyl DOHC 16V SMPI Engine
EJD = 1.6L 4 Cyl SOHC 16V SMPI
DGL = 4-Speed Automatic Transmission
DD5 = 5-Speed Manual Transmission
DDD = 5-Speed HD Manual Transmission

AR = use ase required - = Non illustrated part

2006 PT

Hoses, 2.4L [EDZ] Engine
Figure 19-715



ITEM	PART NUMBER	QTY	LINE	SERIES	BODY	ENGINE	TRANS	TRIM	DESCRIPTION
------	-------------	-----	------	--------	------	--------	-------	------	-------------

Note: Sales Codes;
[DD5]= 5 Speed Manual Transmission
[EDZ]= 2.4L 4 Cylinder DOHC 16 Valve SMPI Engine

1									COOLER, Power Steering
	05272354AG	1	C			EDZ			Without Autostick
	05272494AE	1	C			EDZ			With Autostick
	05273612AA	1	Z			EDZ			With Autostick
	05273613AA	1	Z			EDZ			Without Autostick
2	06505911AA	2				EDZ, EJD			SCREW, Hex Head
3									HOSE, Pump Supply
	05272867AD	1	C			EDZ			
	05273586AA	1	Z			EDZ			
4									HOSE, Power Steering Pressure
	04656421AK	1				EDZ			
	05273585AA	1	Z			EDZ			
5	06101496	1				EDZ	DD5		SCREW
6	06101496	1							BOLT, Hex Head, M6x1.00x14, (NOT SERVICED)

PT CRUISER (PT)

SERIES LINE
H = HIGHLINE C = CHRYSLER
P = PREMIUM Z = CHRYSLER (RHD)
S = SPORT
X = SPECIAL

BODY
27 = 2-DR CONVERTIBLE
44 = HATCHBACK/QUAD
CAB CHASSIS LWB

ENGINE TRANSMISSION
EDJ = 2.2L 4 Cyl Turbo Diesel Engine
EDT = 2.4L 4 Cyl DOHC 16V Turbo Engine
EDV = 2.4L 4 Cyl DOHC 16V HO Turbo Engine
EDZ = 2.4L 4 Cyl DOHC 16V SMPI Engine
EJD = 1.6L 4 Cyl SOHC 16V SMPI
DGL = 4-Speed Automatic Transmission
DD5 = 5-Speed Manual Transmission
DDD = 5-Speed HD Manual Transmission

AR = use ase required - = Non illustrated part

2006 PT

Hoses, 2.4L [EDV,EDT] Turbo Engine
Figure 19-720

ITEM	PART NUMBER	QTY	LINE	SERIES	BODY	ENGINE	TRANS	TRIM	DESCRIPTION
------	-------------	-----	------	--------	------	--------	-------	------	-------------

Note: Sale Codes:

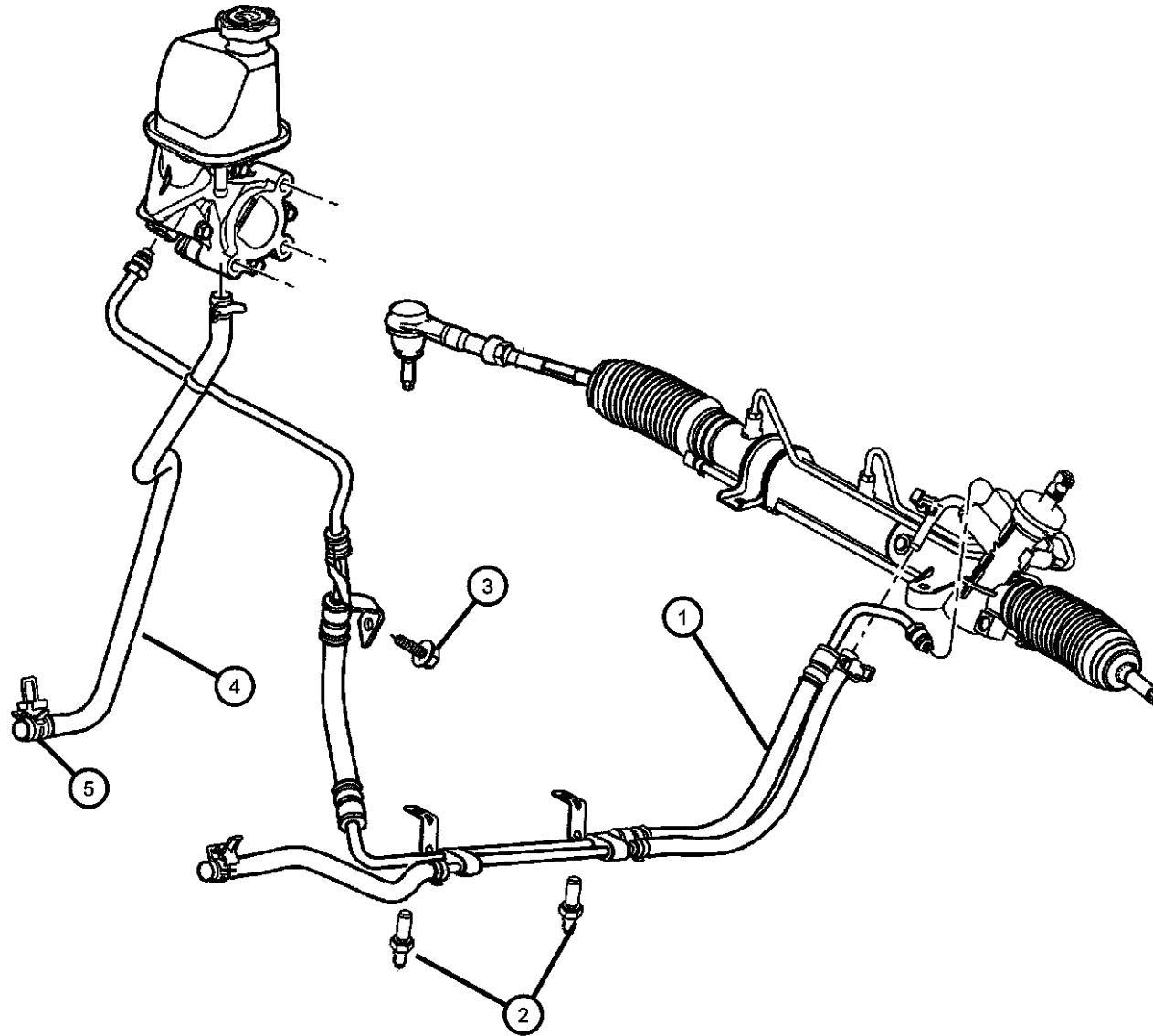
[DDD]= 5 Speed Heavy Duty Manual Transmission

[DD5]= 5 Speed Manual Transmission

[EDT]= 2.4L I-4 DOHC 16 Valve Turbo Engine

[EDV]= 2.4L I-4 DOHC 16 Valve High Output Turbo Engine

1	05272319AJ	1	C			EDT, EDV			HOSE, Power Steering Pressure
2	06502564	1				EDT, EDV	DDD, DGL		STUD, M10-1.50/M8-1.25x54
3	06101503	2				EDT, EDV, EDZ			SCREW AND WASHER, Hex Head, M10x1.5x25
4	05272316AE	1	C			EDT, EDV			HOSE, Power Steering Return
5	06507709AA	1	C			EDT, EDV			CLAMP, Hose



PT CRUISER (PT)

SERIES	LINE
H = HIGHLINE	C = CHRYSLER
P = PREMIUM	Z = CHRYSLER (RHD)
S = SPORT	
X = SPECIAL	

BODY
27 = 2-DR CONVERTIBLE
44 = HATCHBACK/QUAD CAB CHASSIS LWB

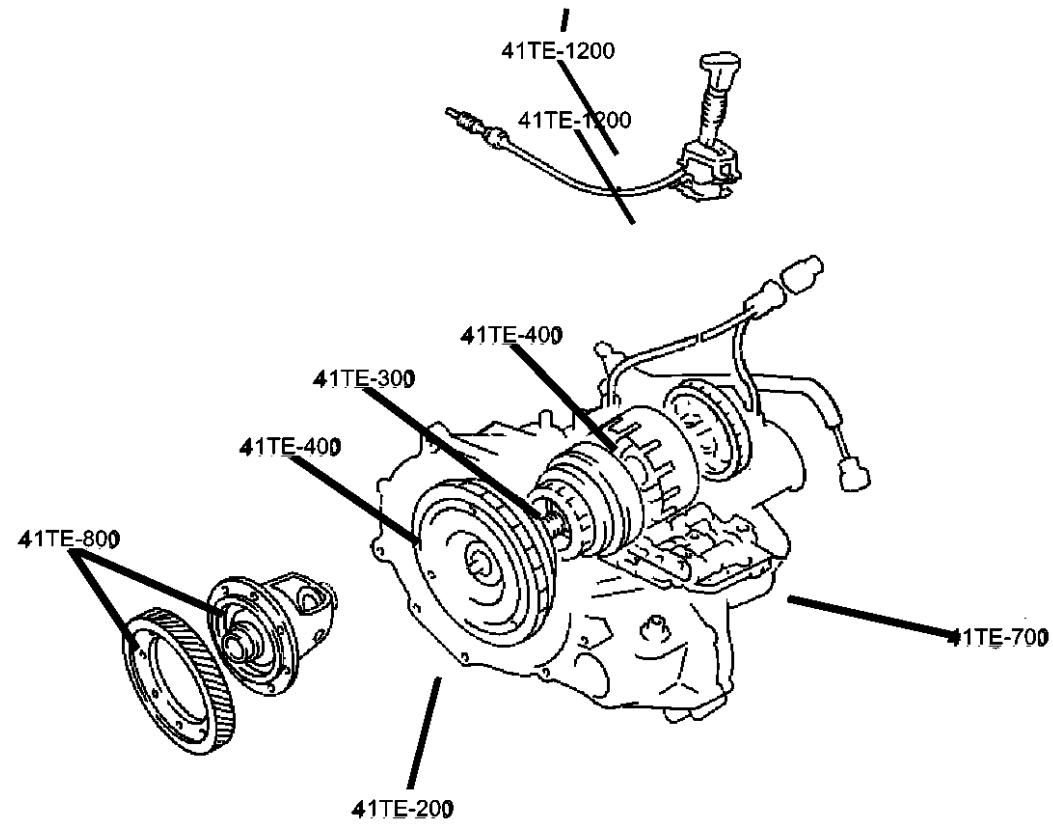
ENGINE	TRANSMISSION
EDJ = 2.2L 4 Cyl Turbo Diesel Engine	DGL = 4-Speed Automatic Transmission
EDT = 2.4L 4 Cyl DOHC 16V Turbo Engine	DD5 = 5-Speed Manual Transmission
EDV = 2.4L 4 Cyl DOHC 16V HO Turbo Engine	DDD = 5-Speed HD Manual Transmission
EDZ = 2.4L 4 Cyl DOHC 16V SMPI Engine	
EJD = 1.6L 4 Cyl SOHC 16V SMPI	

AR = use ase required - = Non illustrated part

2006 PT

Group - 41TE

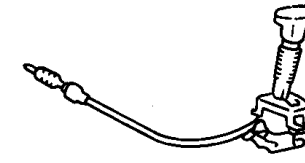
Automatic Transaxle 4 Speed



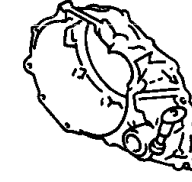
41TE-100
Transaxle Assembly



41TE-1200
Gearshift Controls



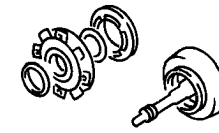
41TE-200
Case and Extension



41TE-300
Oil Pump



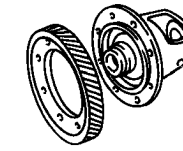
41TE-400
Gear Train



41TE-700
Valve Body



41TE-800
Differential



Group - 41TE Automatic Transaxle 4 Speed

Illustration Title	Group-Fig. No.
Transaxle Assembly	
Transaxle Assembly	Fig. 41TE - 110
Case and Extension	
Transaxle Mounting & Related Parts	Fig. 41TE - 210
Transaxle Mounting & Related Parts	Fig. 41TE - 215
Case, Extension & Solenoid	Fig. 41TE - 220
Oil Pump	
Pump, Oil	Fig. 41TE - 310
Gear Train	
Shaft, Transfer	Fig. 41TE - 410
Clutch, Input Shaft	Fig. 41TE - 420
Gear Train	Fig. 41TE - 430
Valve Body	
Valve Body	Fig. 41TE - 710
Accumulator Piston & Spring	Fig. 41TE - 720
Parking Sprag	Fig. 41TE - 730
Differential	
Differential	Fig. 41TE - 810
Gearshift Controls	
Gearshift Control	Fig. 41TE - 1210
Gearshift Control	Fig. 41TE - 1220
Shifter Lever & Cable	Fig. 41TE - 1230

**Transaxle Assembly
Figure 41TE-110**

ITEM	PART NUMBER	QTY	LINE	SERIES	BODY	ENGINE	TRANS	TRIM	DESCRIPTION
------	-------------	-----	------	--------	------	--------	-------	------	-------------

NOTE: PLEASE OBTAIN [PK] NUMBER TO ORDER CORRECT TRANSMISSION ASSEMBLY FOR THE [41TE]. [41TE] TRANSMISSIONS ARE WITH THE [40TE] EVEN IF THEY HAVE THE SAME SALES CODE [DGL].

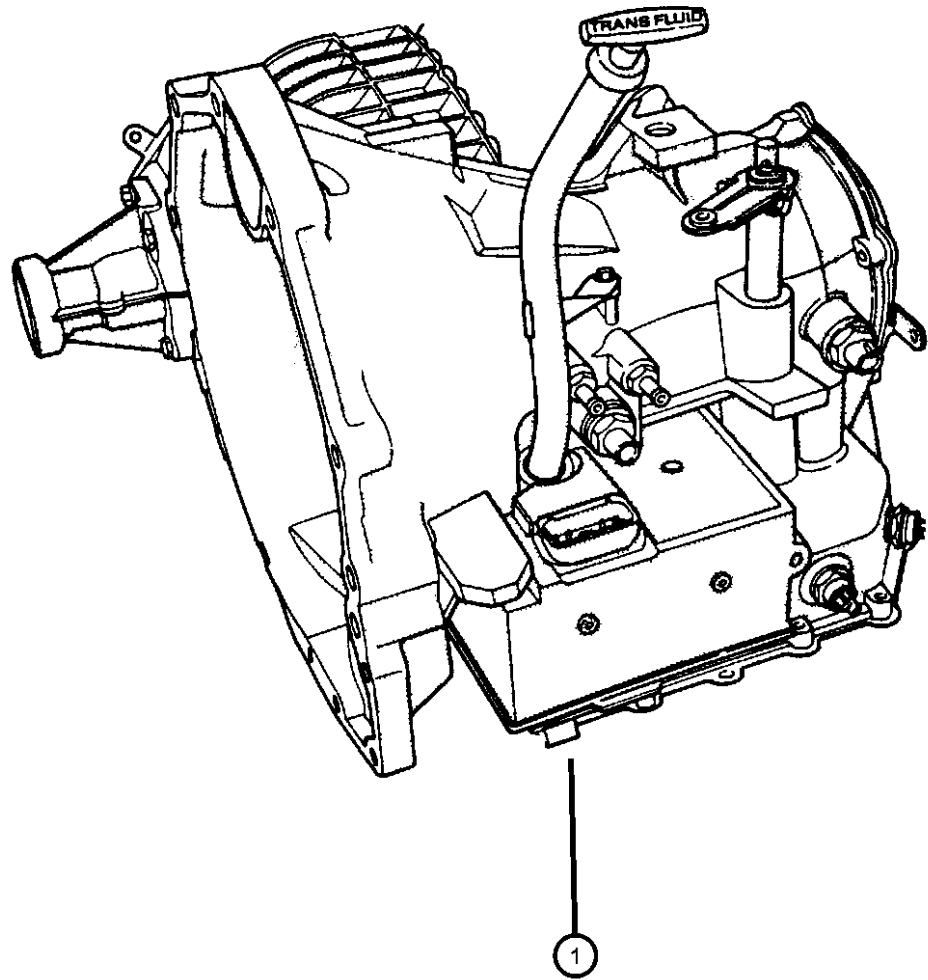
Sales Codes:

[DGL]=4 Speed Automatic Transmission - [41TE]

[EDT]=2.4L DOHC 16V 4 Cyl. Turbo Engine

[EDV]=2.4L DOHC 16V 4 Cyl. High Output Turbo Engine

1	05145343AB	1				EDT, EDV	DGL		TRANSAXLE PACKAGE, WITH TORQUE CONVERTER
-2	05093888AB	1				EDT, EDV	DGL		CONVERTER PACKAGE, Torque



PT CRUISER (PT)

SERIES	LINE
H = HIGHLINE	C = CHRYSLER
P = PREMIUM	Z = CHRYSLER (RHD)
S = SPORT	
X = SPECIAL	

BODY
27 = 2-DR CONVERTIBLE
44 = HATCHBACK/QUAD CAB CHASSIS LWB

ENGINE	TRANSMISSION
EDJ = 2.2L 4 Cyl Turbo Diesel Engine	DGL = 4-Speed Automatic Transmission
EDT = 2.4L 4 Cyl DOHC 16V Turbo Engine	DD5 = 5-Speed Manual Transmission
EDV = 2.4L 4 Cyl DOHC 16V HO Turbo Engine	DDD = 5-Speed HD Manual Transmission
EDZ = 2.4L 4 Cyl DOHC 16V SMPI Engine	
EJD = 1.6L 4 Cyl SOHC 16V SMPI	

AR = use ase required - = Non illustrated part

2006 PT

**Transaxle Mounting & Related Parts
Figure 41TE-210**

ITEM	PART NUMBER	QTY	LINE	SERIES	BODY	ENGINE	TRANS	TRIM	DESCRIPTION
------	-------------	-----	------	--------	------	--------	-------	------	-------------

NOTE: PLEASE OBTAIN [PK] NUMBER TO ORDER CORRECT TRANSMISSION ASSEMBLY FOR THE [41TE]. [41TE] TRANSMISSIONS ARE WITH THE [40TE] EVEN IF THEY HAVE THE SAME SALES CODE [DGL].

Sales Codes:

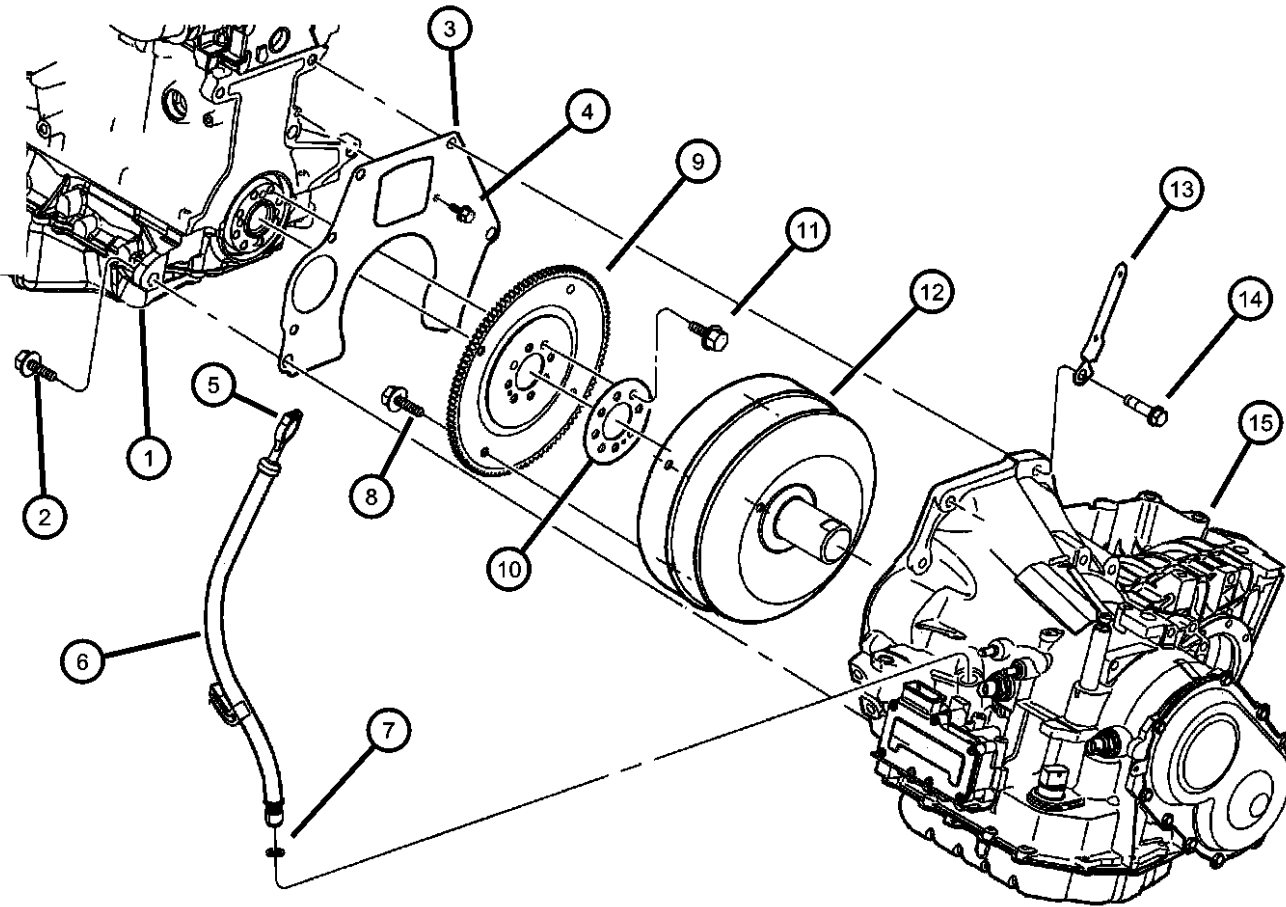
[DGL]=4 Speed Automatic Transmission - [41TE]

[EDT]=2.4L DOHC 16V Turbo Engine

[EDV]=2.4L DOHC 16V 4 Cyl. High Output Turbo Engine

[EDZ]=2.4L DOHC 16V 4 Cyl. Engine

[EJD]=1.6L SOHC 16V 4 Cyl. Engine



1	05093888AB	1							ENGINE, Complete, See Engine Group, (NOT SERVICED)
2	06501742	3					DGL		SCREW, Hex Head, M12x1.75x50
3	04593175	1				EDT, EDV, EDZ	DGL		COVER, Transmission Dust
4	06501755	2							SCREW AND WASHER, Hex Head, M6x1x16
5	04668976AA	1				EDT, EDV	DGL		INDICATOR, Transmission Fluid Level
6	04668609AB	1				EDT, EDV	DGL		TUBE, Transmission Oil Filler
7	06030608	1					DGL		SEAL, Oil Filler Tube
8	06504383	4					DGL		BOLT, Hex Head, M10x1.50 x 13.20
9	04736294AB	1				EDT, EDV			PLATE, Drive Plate
10	04471933	1				EDT, EDV, EDZ			PLATE, Drive Plate Backing
11	06503465	8				EDT, EDV, EDZ, EJD			BOLT, Drive Plate and Flywheel
12	05093888AB	1				EDT, EDV	DGL		CONVERTER PACKAGE, Torque
13	04794513AB	1				EDT, EDV, EDZ			CLIP, Wiring
14	06501742	3					DGL		SCREW, Hex Head, M12x1.75x50
15	06501742	3							TRANSAXLE ASSEMBLY, See Illustrstion 110 In Group 41TE, (NOT SERVICED)

PT CRUISER (PT)

SERIES	LINE
H = HIGHLINE	C = CHRYSLER
P = PREMIUM	Z = CHRYSLER (RHD)
S = SPORT	
X = SPECIAL	

BODY
27 = 2-DR CONVERTIBLE
44 = HATCHBACK/QUAD CAB CHASSIS LWB

ENGINE	TRANSMISSION
EDJ = 2.2L 4 Cyl Turbo Diesel Engine	DGL = 4-Speed Automatic Transmission
EDT = 2.4L 4 Cyl DOHC 16V Turbo Engine	DD5 = 5-Speed Manual Transmission
EDV = 2.4L 4 Cyl DOHC 16V HO Turbo Engine	DDD = 5-Speed HD Manual Transmission
EDZ = 2.4L 4 Cyl DOHC 16V SMPI Engine	
EJD = 1.6L 4 Cyl SOHC 16V SMPI	

AR = use ase required - = Non illustrated part

2006 PT

**Transaxle Mounting & Related Parts
Figure 41TE-215**

ITEM	PART NUMBER	QTY	LINE	SERIES	BODY	ENGINE	TRANS	TRIM	DESCRIPTION
------	-------------	-----	------	--------	------	--------	-------	------	-------------

NOTE: PLEASE OBTAIN [PK] NUMBER TO ORDER CORRECT TRANSMISSION ASSEMBLY FOR THE [41TE]. [41TE] TRANSMISSIONS ARE WITH THE [40TE] EVEN IF THEY HAVE THE SAME SALES CODE [DGL].

Sales Codes:

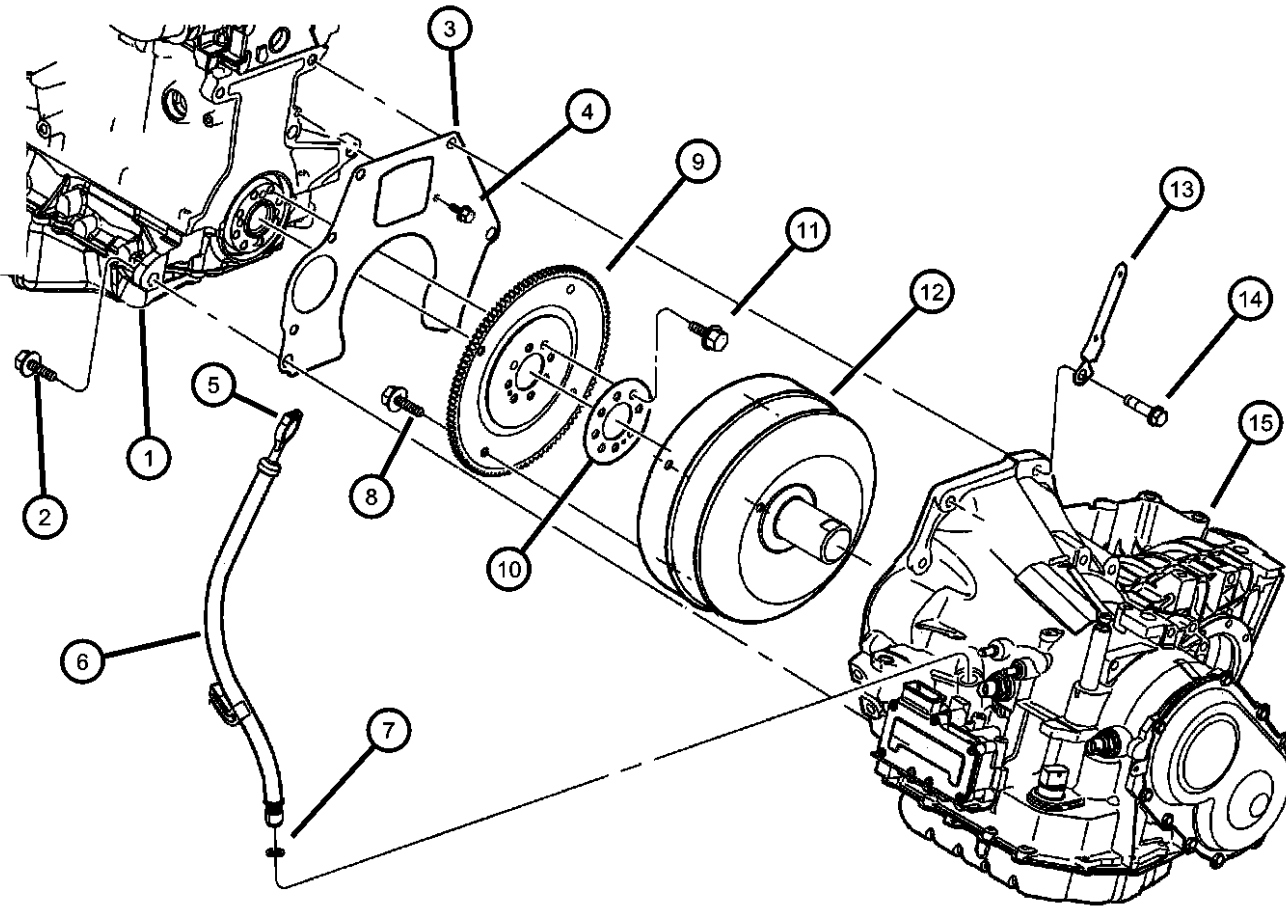
[DGL]=4 Speed Automatic Transmission - [41TE]

[EDT]=2.4L DOHC 16V Turbo Engine

[EDV]=2.4L DOHC 16V 4 Cyl. High Output Turbo Engine

[EDZ]=2.4L DOHC 16V 4 Cyl. Engine

[EJD]=1.6L SOHC 16V 4 Cyl. Engine



1	06501742	3							ENGINE, Complete, See Engine Group, (NOT SERVICED)
2	06501742	3					DGL		SCREW, Hex Head, M12x1.75x50
3	04593175	1				EDT, EDV, EDZ	DGL		COVER, Transmission Dust
4	06501755	2							SCREW AND WASHER, Hex Head, M6x1x16
5	04668976AA	1				EDT, EDV	DGL		INDICATOR, Transmission Fluid Level
6	04668609AB	1				EDT, EDV	DGL		TUBE, Transmission Oil Filler
7	06030608	1					DGL		SEAL, Oil Filler Tube
8	06504383	4					DGL		BOLT, Hex Head, M10x1.50 x 13.20
9	04736294AB	1				EDT, EDV			PLATE, Drive Plate
10	04471933	1				EDT, EDV, EDZ			PLATE, Drive Plate Backing
11	06503465	8				EDT, EDV, EDZ, EJD			BOLT, Drive Plate and Flywheel
12	05093888AB	1				EDT, EDV	DGL		CONVERTER PACKAGE, Torque
13	04794513AB	1				EDT, EDV, EDZ			CLIP, Wiring
14	06501742	3					DGL		SCREW, Hex Head, M12x1.75x50
15	06501742	3							TRANSAXLE ASSEMBLY, See Illustration 110 In Group 41TE, (NOT SERVICED)

PT CRUISER (PT)

SERIES	LINE
H = HIGHLINE	C = CHRYSLER
P = PREMIUM	Z = CHRYSLER (RHD)
S = SPORT	
X = SPECIAL	

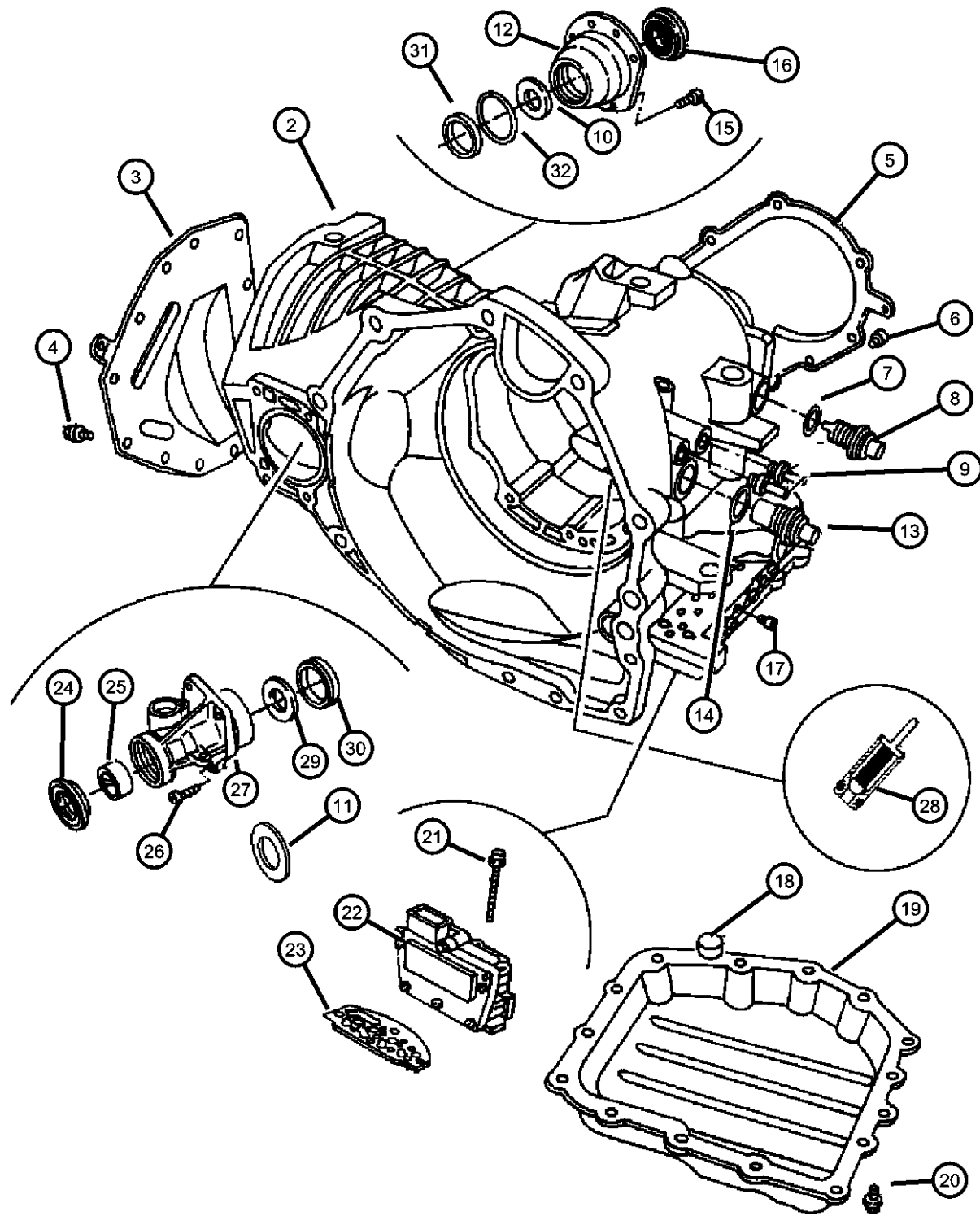
BODY
27 = 2-DR CONVERTIBLE
44 = HATCHBACK/QUAD CAB CHASSIS LWB

ENGINE	TRANSMISSION
EDJ = 2.2L 4 Cyl Turbo Diesel Engine	DGL = 4-Speed Automatic Transmission
EDT = 2.4L 4 Cyl DOHC 16V Turbo Engine	DD5 = 5-Speed Manual Transmission
EDV = 2.4L 4 Cyl DOHC 16V HO Turbo Engine	DDD = 5-Speed HD Manual Transmission
EDZ = 2.4L 4 Cyl DOHC 16V SMPI Engine	
EJD = 1.6L 4 Cyl SOHC 16V SMPI	

AR = use ase required - = Non illustrated part

2006 PT

Case, Extension & Solenoid
Figure 41TE-220



ITEM	PART NUMBER	QTY	LINE	SERIES	BODY	ENGINE	TRANS	TRIM	DESCRIPTION
------	-------------	-----	------	--------	------	--------	-------	------	-------------

NOTE: PLEASE OBTAIN [PK] NUMBER TO ORDER CORRECT PARTS FOR THE [40TE] TRANSMISSION. SOME PARTS ARE NOT INTERCHANGIBLE WITH THE [41TE] EVEN IF THEY HAVE THE SAME SALES CODE [DGL].

NOTE: Complete Transmission Overhaul Package Not Available

Sales Codes:

[DGL]=4 Speed Automatic Transmission - [41TE]

[EDT]=2.4L 4 Cyl. 16V DOHC Turbo Engine

[EDV]=2.4L 4 Cyl. 16V DOHC High Output Turbo Engine

-1	05103047AA	1				EDT, EDV	DGL		SEAL AND GASKET PACKAGE, Transmission
2	04883522AE	1				EDT, EDV	DGL		CASE, Transaxle
3	04659520	1				EDT, EDV	DGL		PAN, Transaxle Differential Oil
4	06501474	12				EDT, EDV	DGL		BOLT, Hex Head, M8x1.25x16
5	04659636	1				EDT, EDV	DGL		COVER, Transaxle Rear
6	06501474	10				EDT, EDV	DGL		BOLT, Hex Head, M8x1.25x16
7	06501658AB	1				EDT, EDV	DGL		O RING, Trans Speed Sensor
8	04800879	1				EDT, EDV	DGL		SENSOR, Transmission Output Speed
9	04800267AA	2				EDT, EDV	DGL		CONNECTOR, Oil Cooler Hose
10	04659290	1				EDT, EDV	DGL		DAM, Differential Extension Oil
11	04567494	1				EDT, EDV	DGL		RETAINER, Transmission Extension Oil
12	04659736	1				EDT, EDV	DGL		RETAINER, Differential Bearing
13	04800878	1				EDT, EDV	DGL		SENSOR, Transmission Input Speed
14	06501657AB	1				EDT, EDV	DGL		O RING, Trans Speed Sensor
15	06500511	4				EDT, EDV	DGL		SCREW, Flange Head, M8x1.25x33
16	04412522AB	1				EDT, EDV	DGL		SEAL
17	06036053AA	7				EDT, EDV	DGL		PLUG, Pressure Check
18	04446728	1				EDT, EDV	DGL		MAGNET, Transmission
19	04431997	1				EDT, EDV	DGL		PAN, Transmission Oil
20	06501474	14				EDT, EDV	DGL		BOLT, Hex Head, M8x1.25x16
21	06506194AA	3				EDT, EDV	DGL		SCREW AND WASHER, Hex Head, M6x1x93.5
22	05140429AA	1				EDT, EDV	DGL		SOLENOID PACKAGE, 41TE Transaxle
23	04659982	1				EDT, EDV	DGL		GASKET, Transmission Solenoid

PT CRUISER (PT)

SERIES LINE
H = HIGHLINE C = CHRYSLER
P = PREMIUM Z = CHRYSLER (RHD)
S = SPORT
X = SPECIAL

BODY
27 = 2-DR CONVERTIBLE
44 = HATCHBACK/QUAD
CAB CHASSIS LWB

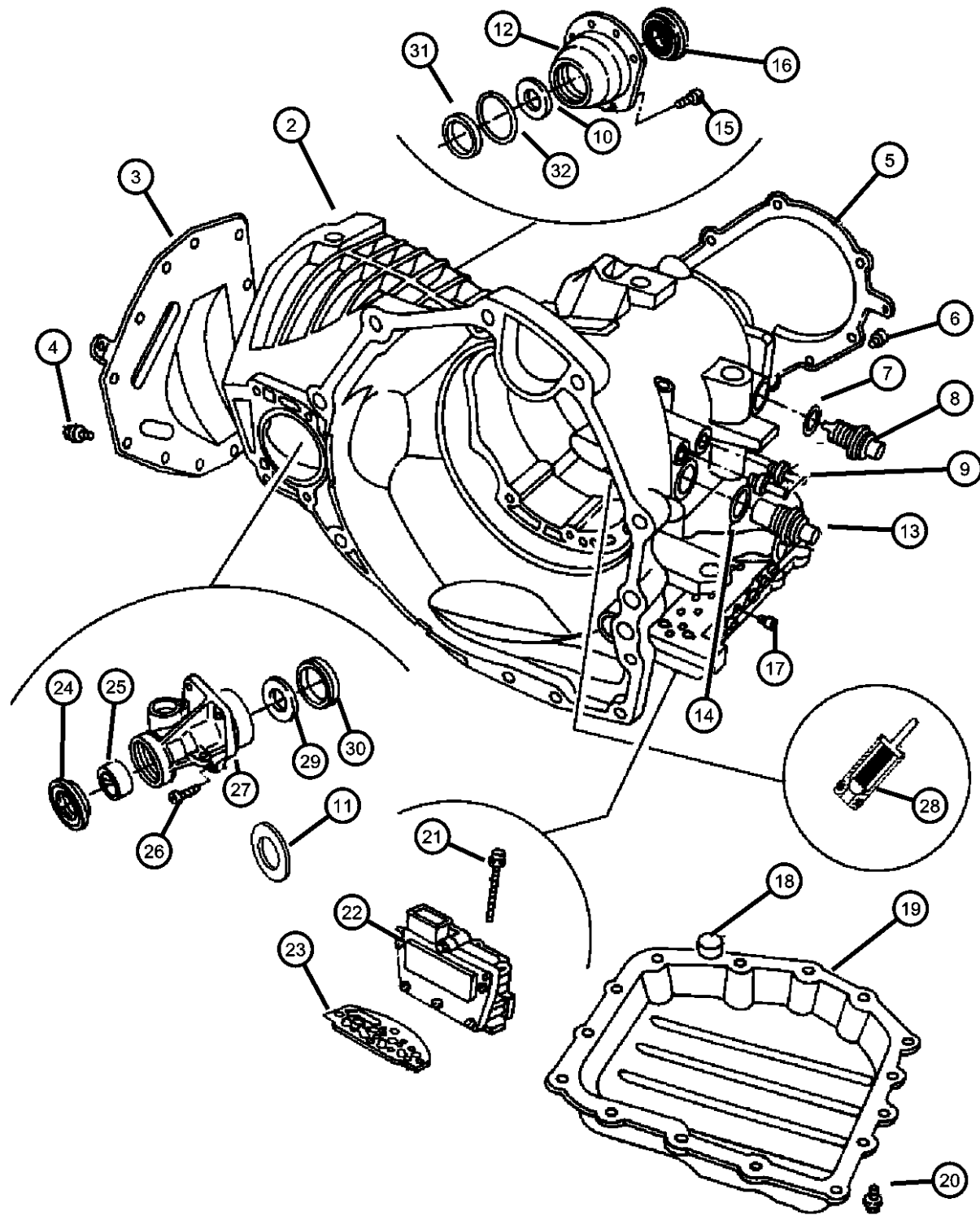
ENGINE
EDJ = 2.2L 4 Cyl Turbo Diesel Engine
EDT = 2.4L 4 Cyl DOHC 16V Turbo Engine
EDV = 2.4L 4 Cyl DOHC 16V HO Turbo Engine
EDZ = 2.4L 4 Cyl DOHC 16V SMPI Engine
EJD = 1.6L 4 Cyl SOHC 16V SMPI

TRANSMISSION
DGL = 4-Speed Automatic Transmission
DD5 = 5-Speed Manual Transmission
DDD = 5-Speed HD Manual Transmission

AR = use ase required - = Non illustrated part

2006 PT

Case, Extension & Solenoid
Figure 41TE-220



ITEM	PART NUMBER	QTY	LINE	SERIES	BODY	ENGINE	TRANS	TRIM	DESCRIPTION
24	04412522AB	1				EDT, EDV	DGL		SEAL
25	04412522AB	1							BUSHING, BUSHING, Trans. Extension (Serviced in Ext.), (NOT SERVICED)
26	06500511	4				EDT, EDV	DGL		SCREW, Flange Head, M8x1.25x33
27	04567506	1				EDT, EDV	DGL		CASE, Transaxle Rear
28	04659946AB	1				EDT, EDV	DGL		VALVE, Cooler Bypass
29	04567494	1				EDT, EDV	DGL		RETAINER, Transmission Extension Oil
30	04567022	1				EDT, EDV	DGL		BEARING CUP, Differential
31	04800230AA	1				EDT, EDV	DGL		CUP, Differential Side
32	04659257	AR				EDT, EDV	DGL		SPACER, Final Drive, 0.98mm
-33	04659258	AR				EDT, EDV	DGL		SPACER, Final Drive, 1.02mm
-34	04659259	AR				EDT, EDV	DGL		SPACER, Final Drive, 1.06mm
-35	04659260	AR				EDT, EDV	DGL		SPACER, Final Drive, 1.10mm
-36	04659261	AR				EDT, EDV	DGL		SPACER, Final Drive, 1.14mm
-37	04659262	AR				EDT, EDV	DGL		SPACER, Final Drive, 1.18mm
-38	04659263	AR				EDT, EDV	DGL		SPACER, Final Drive, 1.22mm
-39	04659264	AR				EDT, EDV	DGL		SPACER, Final Drive, 1.26mm
-40	04659265	AR				EDT, EDV	DGL		SPACER, Final Drive, 1.30mm
-41	04659266	AR				EDT, EDV	DGL		SPACER, Final Drive, 1.34mm
-42	04659267	AR				EDT, EDV	DGL		SPACER, Final Drive, 1.38mm
-43	04659268	AR				EDT, EDV	DGL		SPACER, Final Drive, 1.42mm
-44	04659269	AR				EDT, EDV	DGL		SPACER, Final Drive, 1.46mm
-45	04659270	AR				EDT, EDV	DGL		SPACER, Final Drive, 1.50mm
-46	04659271	AR				EDT, EDV	DGL		SPACER, Final Drive, 1.54mm
-47	04659272	AR				EDT, EDV	DGL		SPACER, Final Drive, 1.58mm
-48	04659273	AR				EDT, EDV	DGL		SPACER, Final Drive, 1.62mm
-49	04659274	AR				EDT, EDV	DGL		SPACER, Final Drive, 1.66mm
-50	04659275	AR				EDT, EDV	DGL		SPACER, Final Drive, 1.70mm
-51	04659283	AR				EDT, EDV	DGL		SPACER, Final Drive, 2.02mm

PT CRUISER (PT)

SERIES LINE
H = HIGHLINE C = CHRYSLER
P = PREMIUM Z = CHRYSLER (RHD)
S = SPORT
X = SPECIAL

BODY
27 = 2-DR CONVERTIBLE
44 = HATCHBACK/QUAD
CAB CHASSIS LWB

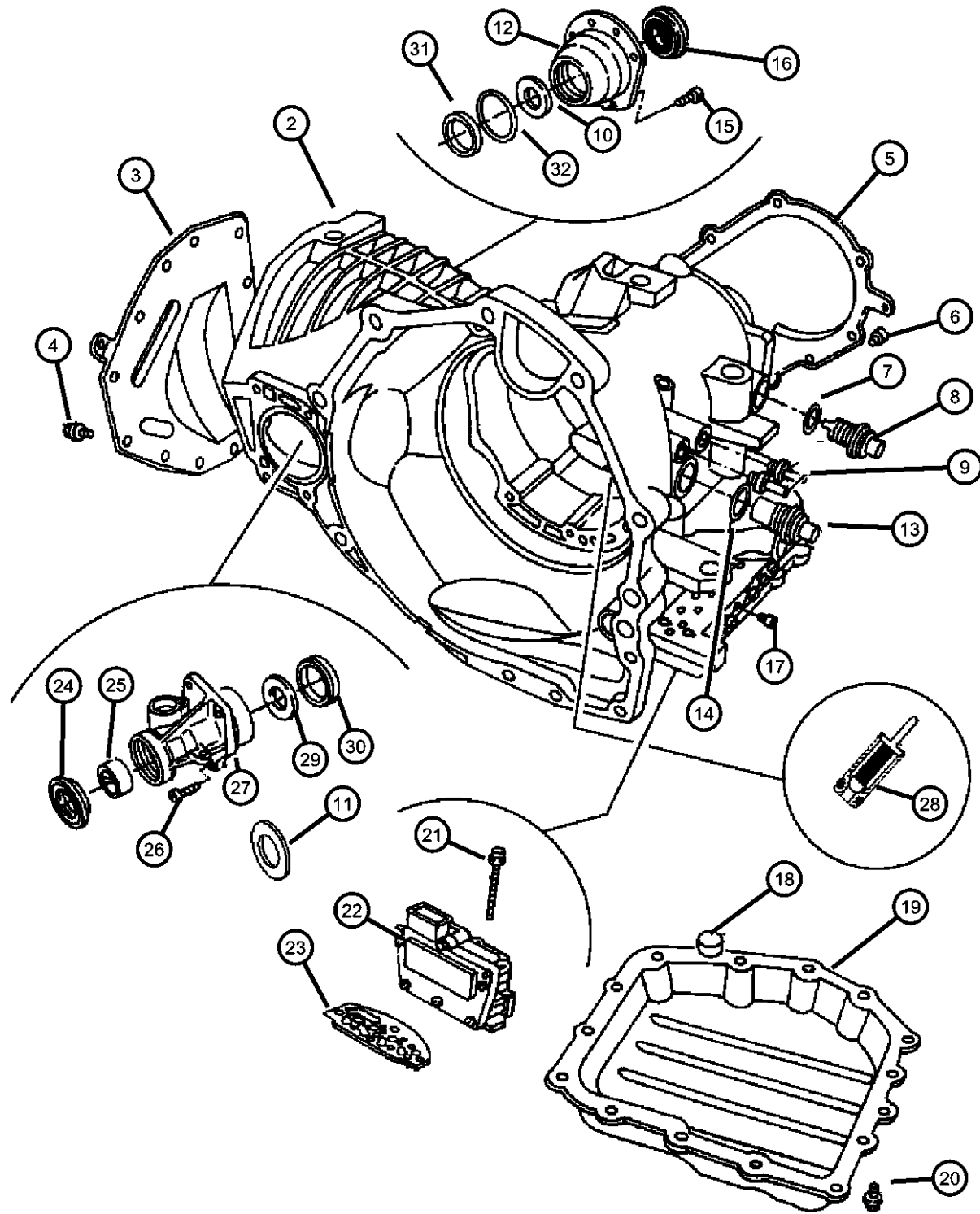
ENGINE
EDJ = 2.2L 4 Cyl Turbo Diesel Engine
EDT = 2.4L 4 Cyl DOHC 16V Turbo Engine
EDV = 2.4L 4 Cyl DOHC 16V HO Turbo Engine
EDZ = 2.4L 4 Cyl DOHC 16V SMPI Engine
EJD = 1.6L 4 Cyl SOHC 16V SMPI

TRANSMISSION
DGL = 4-Speed Automatic Transmission
DD5 = 5-Speed Manual Transmission
DDD = 5-Speed HD Manual Transmission

AR = use ase required - = Non illustrated part

2006 PT

Case, Extension & Solenoid
Figure 41TE-220



ITEM	PART NUMBER	QTY	LINE	SERIES	BODY	ENGINE	TRANS	TRIM	DESCRIPTION
-52	04659284	AR				EDT, EDV	DGL		SPACER, Final Drive, 2.06mm
-53	06100994	1				EDT, EDV	DGL		DOWEL, M6x16

PT CRUISER (PT)

SERIES LINE
H = HIGHLINE C = CHRYSLER
P = PREMIUM Z = CHRYSLER (RHD)
S = SPORT
X = SPECIAL

BODY
27 = 2-DR CONVERTIBLE
44 = HATCHBACK/QUAD
CAB CHASSIS LWB

ENGINE
EDJ = 2.2L 4 Cyl Turbo Diesel Engine
EDT = 2.4L 4 Cyl DOHC 16V Turbo Engine
EDV = 2.4L 4 Cyl DOHC 16V HO Turbo Engine
EDZ = 2.4L 4 Cyl DOHC 16V SMPI Engine
EJD = 1.6L 4 Cyl SOHC 16V SMPI

TRANSMISSION
DGL = 4-Speed Automatic Transmission
DD5 = 5-Speed Manual Transmission
DDD = 5-Speed HD Manual Transmission

AR = use ase required - = Non illustrated part

2006 PT

**Pump, Oil
Figure 41TE-310**

ITEM	PART NUMBER	QTY	LINE	SERIES	BODY	ENGINE	TRANS	TRIM	DESCRIPTION
------	-------------	-----	------	--------	------	--------	-------	------	-------------

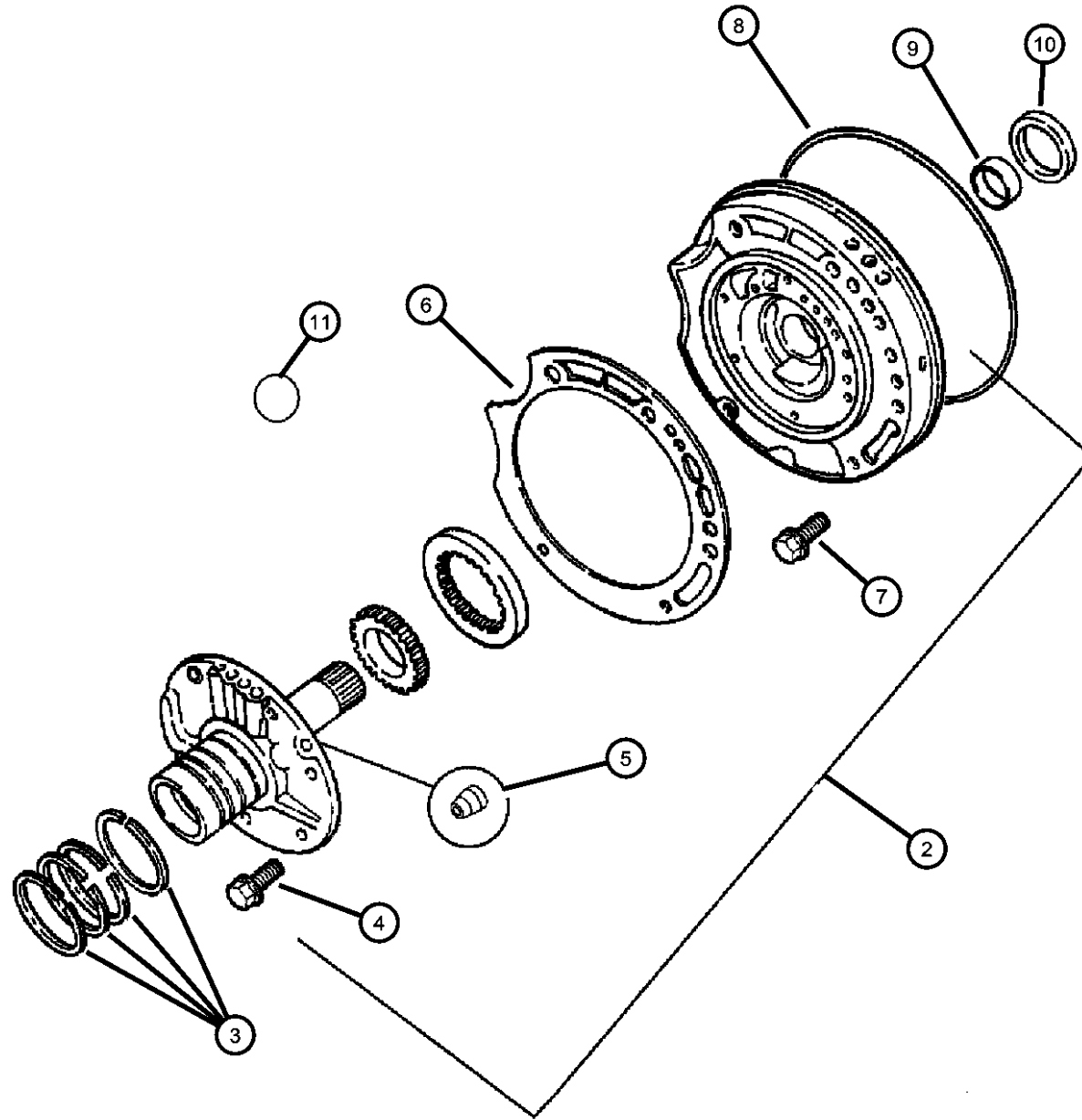
NOTE: PLEASE OBTAIN [PK] NUMBER TO ORDER CORRECT TRANSMISSION ASSEMBLY FOR THE [41TE]. [41TE] TRANSMISSIONS ARE WITH THE [40TE] EVEN IF THEY HAVE THE SAME SALES CODE [DGL].

Sales Codes:

[DGL]=4 Speed Automatic Transmission - [41TE]

[EDT]=2.4L DOHC 16V Turbo Engine

[EDV]=2.4L DOHC 16V 4 Cyl. High Output Turbo Engine



-1	04883260AB	1				EDT, EDV	DGL		SEAL AND GASKET PACKAGE, Transmission Oil Pump
2	05127197AA	1				EDT, EDV	DGL		PUMP, Transmission Oil
3	04471874	4				EDT, EDV	DGL		SEAL, Ring Reaction Support, 2 1/16 O.D.
4	06500211	6				EDT, EDV	DGL		BOLT, Hex Head, M8x1.25x19
5	52118261	1				EDT, EDV	DGL		BALL, Check
6	04412844	1				EDT, EDV	DGL		GASKET, Transmission Oil Pump
7	06506408AA	5				EDT, EDV	DGL		SCREW AND WASHER, Hex Flange Head, M8x1.25x25
8	04659945	1				EDT, EDV	DGL		SEAL, Oil Pump
9	04659515	1				EDT, EDV	DGL		BUSHING, Front Pump
10	04412475	1				EDT, EDV	DGL		SEAL, Impeller Hub, 57.25mm OD
11	52118261	1				EDT, EDV	DGL		BALL, Check

PT CRUISER (PT)

SERIES LINE
H = HIGHLINE C = CHRYSLER
P = PREMIUM Z = CHRYSLER (RHD)
S = SPORT
X = SPECIAL

BODY
27 = 2-DR CONVERTIBLE
44 = HATCHBACK/QUAD
CAB CHASSIS LWB

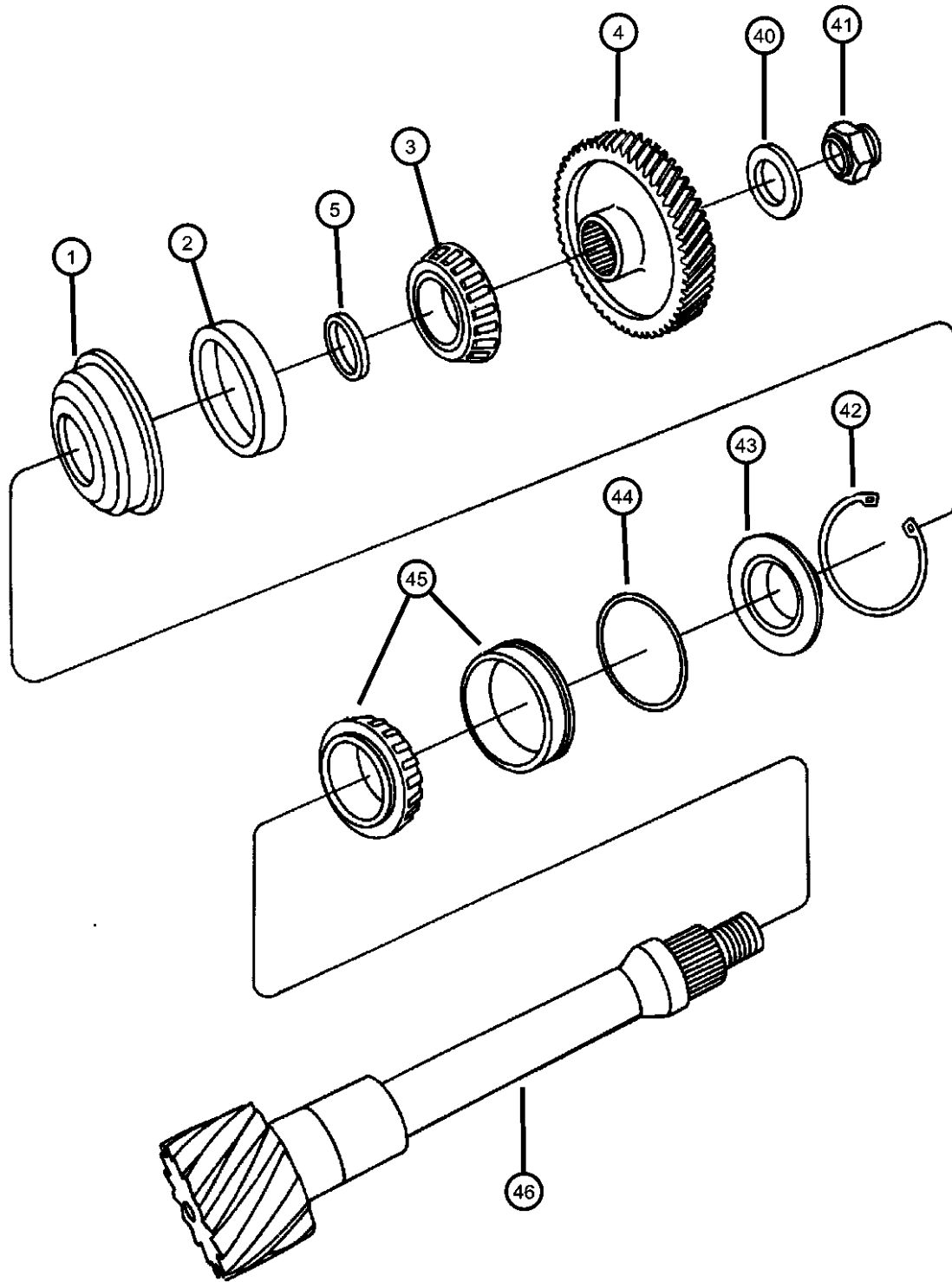
ENGINE
EDJ = 2.2L 4 Cyl Turbo Diesel Engine
EDT = 2.4L 4 Cyl DOHC 16V Turbo Engine
EDV = 2.4L 4 Cyl DOHC 16V HO Turbo Engine
EDZ = 2.4L 4 Cyl DOHC 16V SMPI Engine
EJD = 1.6L 4 Cyl SOHC 16V SMPI

TRANSMISSION
DGL = 4-Speed Automatic Transmission
DD5 = 5-Speed Manual Transmission
DDD = 5-Speed HD Manual Transmission

AR = use ase required - = Non illustrated part

2006 PT

Shaft, Transfer
Figure 41TE-410



ITEM	PART NUMBER	QTY	LINE	SERIES	BODY	ENGINE	TRANS	TRIM	DESCRIPTION
------	-------------	-----	------	--------	------	--------	-------	------	-------------

NOTE: PLEASE OBTAIN [PK] NUMBER TO ORDER CORRECT TRANSMISSION ASSEMBLY FOR THE [41TE]. [41TE] TRANSMISSIONS ARE WITH THE [40TE] EVEN IF THEY HAVE THE SAME SALES CODE [DGL].

Sales Codes:

[DGL]=4 Speed Automatic Transmission - [41TE]

[EDT]=2.4L DOHC 16V Turbo Engine

[EDV]=2.4L DOHC 16V 4 Cyl. High Output Turbo Engine

1	04412273	1				EDT, EDV	DGL		RETAINER, Transfer Gear Bearing
2	04504041	1				EDT, EDV	DGL		BEARING CUP, Transfer Gear
3	04446698AB	1				EDT, EDV	DGL		BEARING CONE, Transfer Shaft
4	04713444AD	1				EDT, EDV	DGL		GEAR PACKAGE, Output And Transfer Shaft
5									SPACER, Output/Transfer Shaft
	04412801AB	1				EDT, EDV	DGL		[3.26MM]
	04412802AB	1				EDT, EDV	DGL		[3.30MM]
	04412803AB	1				EDT, EDV	DGL		[3.34MM]
	04412804AB	1				EDT, EDV	DGL		[3.38MM]
	04412806AB	1				EDT, EDV	DGL		[3.46MM]
	04412807AB	1				EDT, EDV	DGL		[3.50MM]
	04412808AB	1				EDT, EDV	DGL		[3.54MM]
	04412809AB	1				EDT, EDV	DGL		[3.58MM]
	04412810AB	1				EDT, EDV	DGL		[3.62MM]
	04412811AB	1				EDT, EDV	DGL		[3.66MM]
	04412812AB	1				EDT, EDV	DGL		[3.70MM]
	04412813AB	1				EDT, EDV	DGL		[3.74MM]
	04412814AB	1				EDT, EDV	DGL		[3.78MM]
	04412815AB	1				EDT, EDV	DGL		[3.82MM]
	04412816AB	1				EDT, EDV	DGL		[3.86MM]
	04412817AB	1				EDT, EDV	DGL		[3.90MM]
	04412818AB	1				EDT, EDV	DGL		[3.94MM]
	04412819AB	1				EDT, EDV	DGL		[3.98MM]
	04412820AB	1				EDT, EDV	DGL		[4.02MM]
	04412821AB	1				EDT, EDV	DGL		[4.06MM]
	04412822AB	1				EDT, EDV	DGL		[4.10MM]
	04412823AB	1				EDT, EDV	DGL		[4.14MM]

PT CRUISER (PT)

SERIES LINE
H = HIGHLINE C = CHRYSLER
P = PREMIUM Z = CHRYSLER (RHD)
S = SPORT
X = SPECIAL

BODY
27 = 2-DR CONVERTIBLE
44 = HATCHBACK/QUAD
CAB CHASSIS LWB

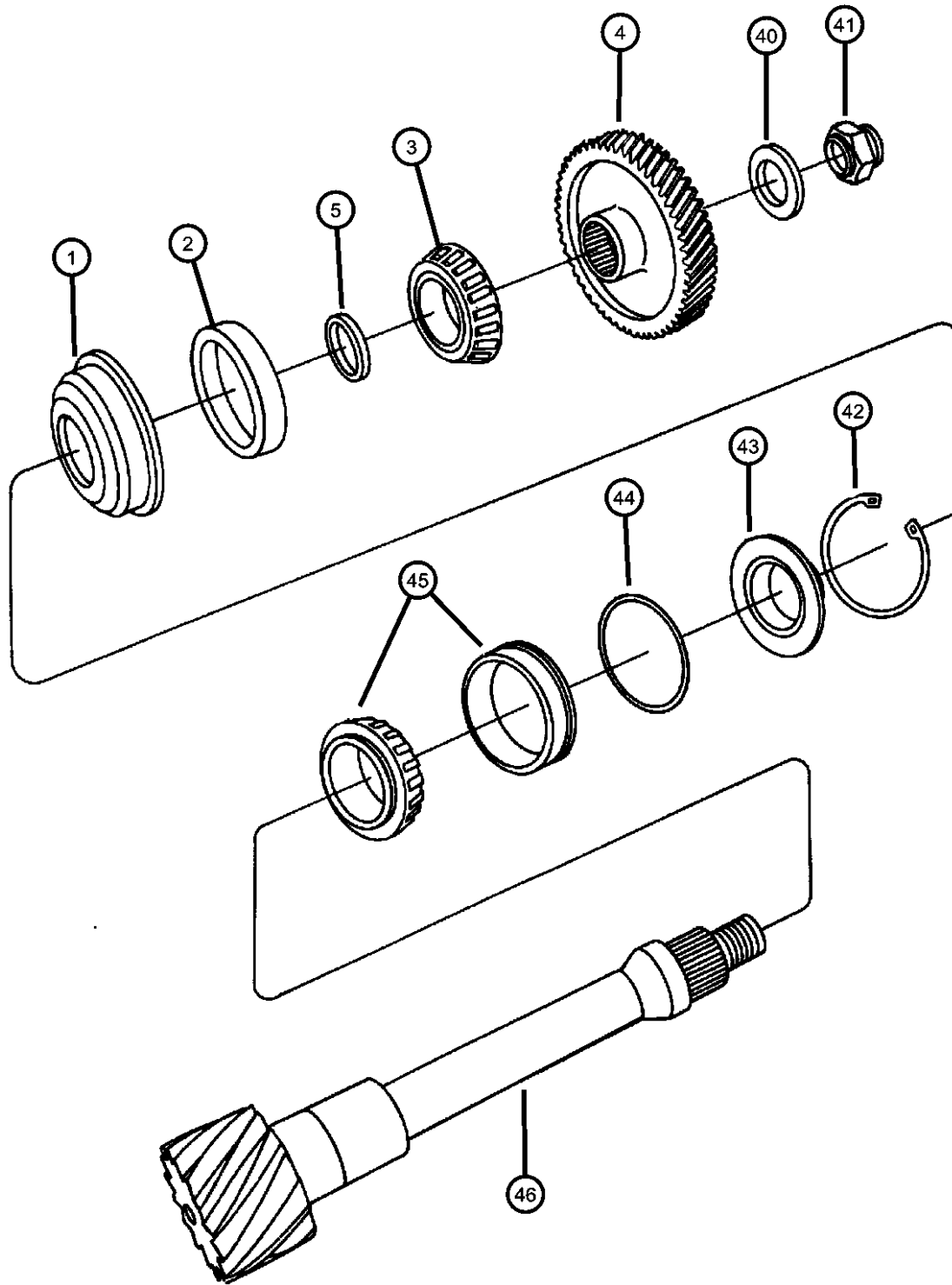
ENGINE
EDJ = 2.2L 4 Cyl Turbo Diesel Engine
EDT = 2.4L 4 Cyl DOHC 16V Turbo Engine
EDV = 2.4L 4 Cyl DOHC 16V HO Turbo Engine
EDZ = 2.4L 4 Cyl DOHC 16V SMPI Engine
EJD = 1.6L 4 Cyl SOHC 16V SMPI

TRANSMISSION
DGL = 4-Speed Automatic Transmission
DD5 = 5-Speed Manual Transmission
DDD = 5-Speed HD Manual Transmission

AR = use ase required - = Non illustrated part

2006 PT

Shaft, Transfer
Figure 41TE-410



ITEM	PART NUMBER	QTY	LINE	SERIES	BODY	ENGINE	TRANS	TRIM	DESCRIPTION
	04412824AB	1				EDT, EDV	DGL		[4.18MM]
	04412825AB	1				EDT, EDV	DGL		[4.22MM]
	04412826AB	1				EDT, EDV	DGL		[4.26MM]
	04412827AB	1				EDT, EDV	DGL		[4.30MM]
	04412828AB	1				EDT, EDV	DGL		[4.34MM]
	04412829AB	1				EDT, EDV	DGL		[4.38MM]
	04412830AB	1				EDT, EDV	DGL		[4.42MM]
	04412831AB	1				EDT, EDV	DGL		[4.46MM]
	04412832AB	1				EDT, EDV	DGL		[4.50MM]
	04412833AB	1				EDT, EDV	DGL		[4.54MM]
	04505570AB	1				EDT, EDV	DGL		[3.22MM]
	04505588AB	1				EDT, EDV	DGL		[4.66MM]
6	06501833	1				EDT, EDV	DGL		WASHER, Coned, M22.6x45x3.42
7	06507156AA	1				EDT, EDV	DGL		LOCK NUT, M22x1.50
8	06501936	1				EDT, EDV	DGL		SNAP RING
9	04471869	1				EDT, EDV	DGL		BAFFLE, Transfer Shaft
10	06501768	1				EDT, EDV	DGL		O RING, Transfer Shaft Bearing Retainer, ATX
11	04856911	1				EDT, EDV	DGL		BEARING PACKAGE, Transfer Shaft
12	04531976AB	1				EDT, EDV	DGL		SHAFT, Transfer Gear

PT CRUISER (PT)

SERIES LINE
H = HIGHLINE C = CHRYSLER
P = PREMIUM Z = CHRYSLER (RHD)
S = SPORT
X = SPECIAL

BODY
27 = 2-DR CONVERTIBLE
44 = HATCHBACK/QUAD
CAB CHASSIS LWB

ENGINE
EDJ = 2.2L 4 Cyl Turbo Diesel Engine
EDT = 2.4L 4 Cyl DOHC 16V Turbo Engine
EDV = 2.4L 4 Cyl DOHC 16V HO Turbo Engine
EDZ = 2.4L 4 Cyl DOHC 16V SMPI Engine
EJD = 1.6L 4 Cyl SOHC 16V SMPI

TRANSMISSION
DGL = 4-Speed Automatic Transmission
DD5 = 5-Speed Manual Transmission
DDD = 5-Speed HD Manual Transmission

AR = use ase required - = Non illustrated part

2006 PT

Clutch, Input Shaft
Figure 41TE-420

ITEM	PART NUMBER	QTY	LINE	SERIES	BODY	ENGINE	TRANS	TRIM	DESCRIPTION
------	-------------	-----	------	--------	------	--------	-------	------	-------------

NOTE: PLEASE OBTAIN [PK] NUMBER TO ORDER CORRECT TRANSMISSION ASSEMBLY FOR THE [41TE]. [41TE] TRANSMISSIONS ARE WITH THE [40TE] EVEN IF THEY HAVE THE SAME SALES CODE [DGL].

Sales Codes:

[DGL]=4 Speed Automatic Transmission - [41TE]

[EDT]=2.4L DOHC 16V Turbo Engine

[EDV]=2.4L DOHC 16V 4 Cyl. High Output Turbo Engine

-1	04883240AB	1				EDT, EDV	DGL		SEAL AND GASKET PACKAGE, Transmission Front Clutch
2	04883013AB	1				EDT, EDV	DGL		PLATE PACKAGE, Underdrive Reaction, 5.72/5.82
-3	04883014AB	1				EDT, EDV	DGL		PLATE PACKAGE, Underdrive Reaction, 6.21/6.31
-4	04883015AB	1				EDT, EDV	DGL		PLATE PACKAGE, Underdrive Reaction, 6.70/6.80
5	04659934	1				EDT, EDV	DGL		SNAP RING, Underdrive Clutch, Tapered
6	04800082AA	1				EDT, EDV	DGL		THRUST BEARING
7	04864936AC	1				EDT, EDV	DGL		HUB AND SHAFT PACKAGE, Underdrive Clutch
8	05018923AA	1				EDT, EDV	DGL		PLATE AND WASHER PACKAGE, Thrust
9	04505621	1				EDT, EDV	DGL		SNAP RING
10	04531678	4				EDT, EDV	DGL		DISC, Clutch
11	04659053	4				EDT, EDV	DGL		PLATE, Transmission O/Drive Clutch
12	04531556AD	1				EDT, EDV	DGL		PLATE, Transmission O/Drive Clutch
13	04505622	1				EDT, EDV	DGL		SNAP RING
14	04531678	4				EDT, EDV	DGL		DISC, Clutch
15	04659053	4				EDT, EDV	DGL		PLATE, Transmission O/Drive Clutch
16	04377194	1				EDT, EDV	DGL		PLATE, Transmission Clutch Reaction
17	04377195	1				EDT, EDV	DGL		SNAP RING
-18	04412871	1				EDT, EDV	DGL		SNAP RING, Reverse Clutch, 1.77-1.83mm
-19	04412872	1				EDT, EDV	DGL		SNAP RING, Reverse Clutch, 2.02-2.07mm
-20	04412873	1				EDT, EDV	DGL		SNAP RING, Reverse Clutch, 2.27-2.32mm
21	05018923AA	1				EDT, EDV	DGL		PLATE AND WASHER PACKAGE, Thrust

PT CRUISER (PT)

SERIES LINE
H = HIGHLINE C = CHRYSLER
P = PREMIUM Z = CHRYSLER (RHD)
S = SPORT
X = SPECIAL

BODY
27 = 2-DR CONVERTIBLE
44 = HATCHBACK/QUAD
CAB CHASSIS LWB

ENGINE
EDJ = 2.2L 4 Cyl Turbo Diesel Engine
EDT = 2.4L 4 Cyl DOHC 16V Turbo Engine
EDV = 2.4L 4 Cyl DOHC 16V HO Turbo Engine
EDZ = 2.4L 4 Cyl DOHC 16V SMPI Engine
EJD = 1.6L 4 Cyl SOHC 16V SMPI

TRANSMISSION
DGL = 4-Speed Automatic Transmission
DD5 = 5-Speed Manual Transmission
DDD = 5-Speed HD Manual Transmission

AR = use ase required - = Non illustrated part

2006 PT

Clutch, Input Shaft
Figure 41TE-420

ITEM	PART NUMBER	QTY	LINE	SERIES	BODY	ENGINE	TRANS	TRIM	DESCRIPTION
22	04659993	1				EDT, EDV	DGL		HUB AND SHAFT, Overdrive Clutch
23									PLATE, Transmission O/Drive Clutch
	03836237AB	1				EDT, EDV	DGL		[1.70/1.77MM]
	03836238AB	1				EDT, EDV	DGL		[1.92/1.99MM]
	03836239AB	1				EDT, EDV	DGL		[2.14/2.21MM]
	03836240AB	1				EDT, EDV	DGL		[2.36/2.43MM]
	03836241AB	1				EDT, EDV	DGL		[2.58/2.65MM]
	04431665AB	1				EDT, EDV	DGL		[1.59/1.66MM]
	04431666AB	1				EDT, EDV	DGL		[1.81/1.88MM]
	04431667AB	1				EDT, EDV	DGL		[2.03/2.10MM]
	04431668AB	1				EDT, EDV	DGL		[2.25/2.32MM]
	04431669AB	1				EDT, EDV	DGL		[2.47/2.54MM]
	04446670AB	1				EDT, EDV	DGL		[2.69/2.76MM]
	04446671AB	1				EDT, EDV	DGL		[2.91/2.98MM]
24	04659980	1				EDT, EDV	DGL		SNAP RING, Underdrive Clutch, Flat
25	04531678	4				EDT, EDV	DGL		DISC, Clutch
26	04659053	3				EDT, EDV	DGL		PLATE, Transmission O/Drive Clutch
27	06501715	1				EDT, EDV	DGL		SNAP RING
28	04431612	1				EDT, EDV	DGL		RETAINER AND SEAL, Transmission U/Drive Spring
29	04377177	1				EDT, EDV	DGL		SPRING, Drive Lower Case
30	04431610	1				EDT, EDV	DGL		PISTON, Underdrive
31	06507226AA	1				EDT, EDV	DGL		SNAP RING
32	04659871	1				EDT, EDV	DGL		SEAL, Piston Outer, 140mm OD
33	04659935	1				EDT, EDV	DGL		RETAINER, Transmission Input Clutch
34	04446543	3				EDT, EDV	DGL		SEAL, Input Shaft
35	04412209	1				EDT, EDV	DGL		THRUST BEARING
36	04549223AB	1				EDT, EDV	DGL		INPUT SHAFT PACKAGE, Transaxle
37	05017518AB	1				EDT, EDV	DGL		HUB PACKAGE, Input Clutch

PT CRUISER (PT)

SERIES LINE
H = HIGHLINE C = CHRYSLER
P = PREMIUM Z = CHRYSLER (RHD)
S = SPORT
X = SPECIAL

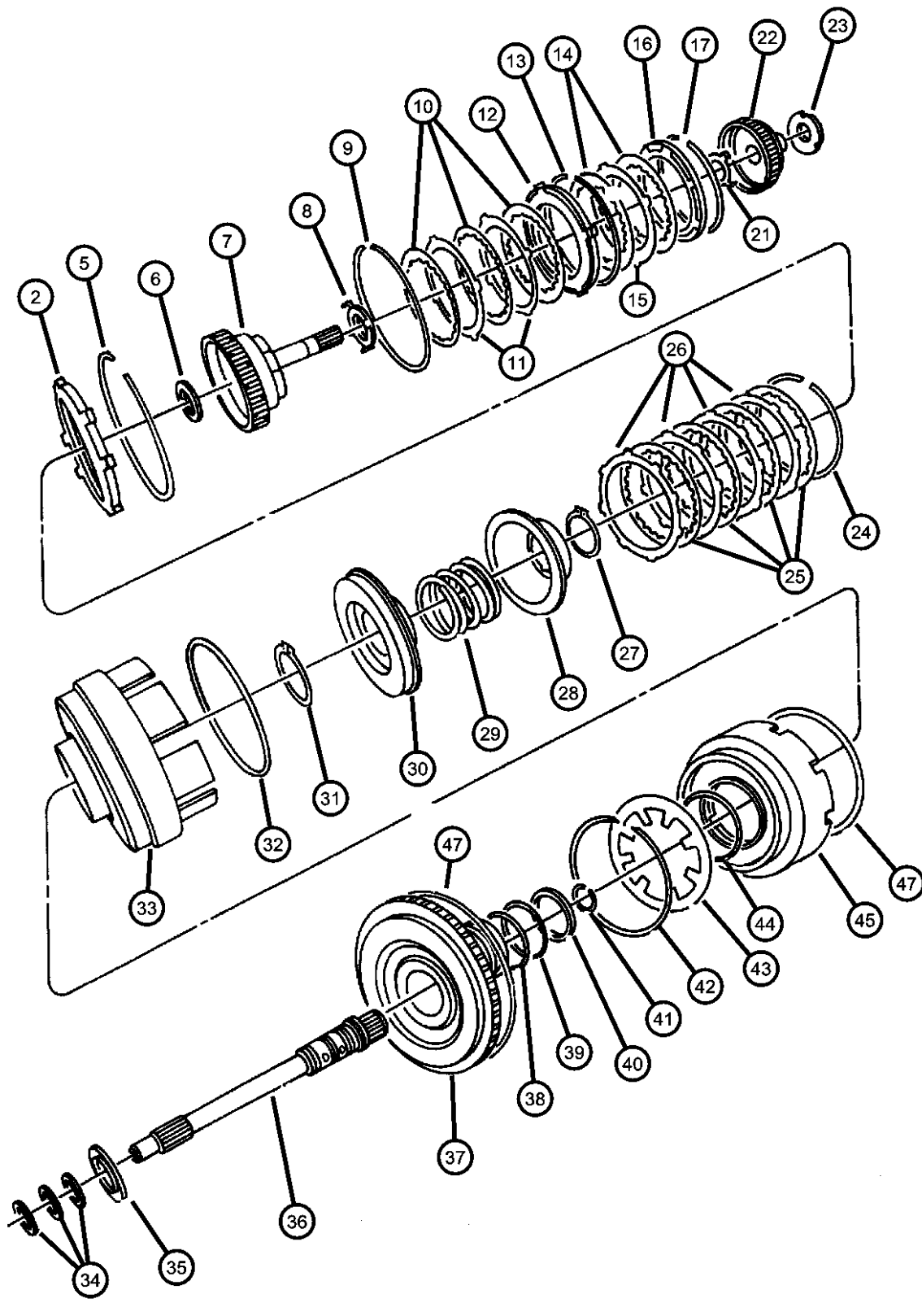
BODY
27 = 2-DR CONVERTIBLE
44 = HATCHBACK/QUAD
CAB CHASSIS LWB

ENGINE
EDJ = 2.2L 4 Cyl Turbo Diesel Engine
EDT = 2.4L 4 Cyl DOHC 16V Turbo Engine
EDV = 2.4L 4 Cyl DOHC 16V HO Turbo Engine
EDZ = 2.4L 4 Cyl DOHC 16V SMPI Engine
EJD = 1.6L 4 Cyl SOHC 16V SMPI

TRANSMISSION
DGL = 4-Speed Automatic Transmission
DD5 = 5-Speed Manual Transmission
DDD = 5-Speed HD Manual Transmission

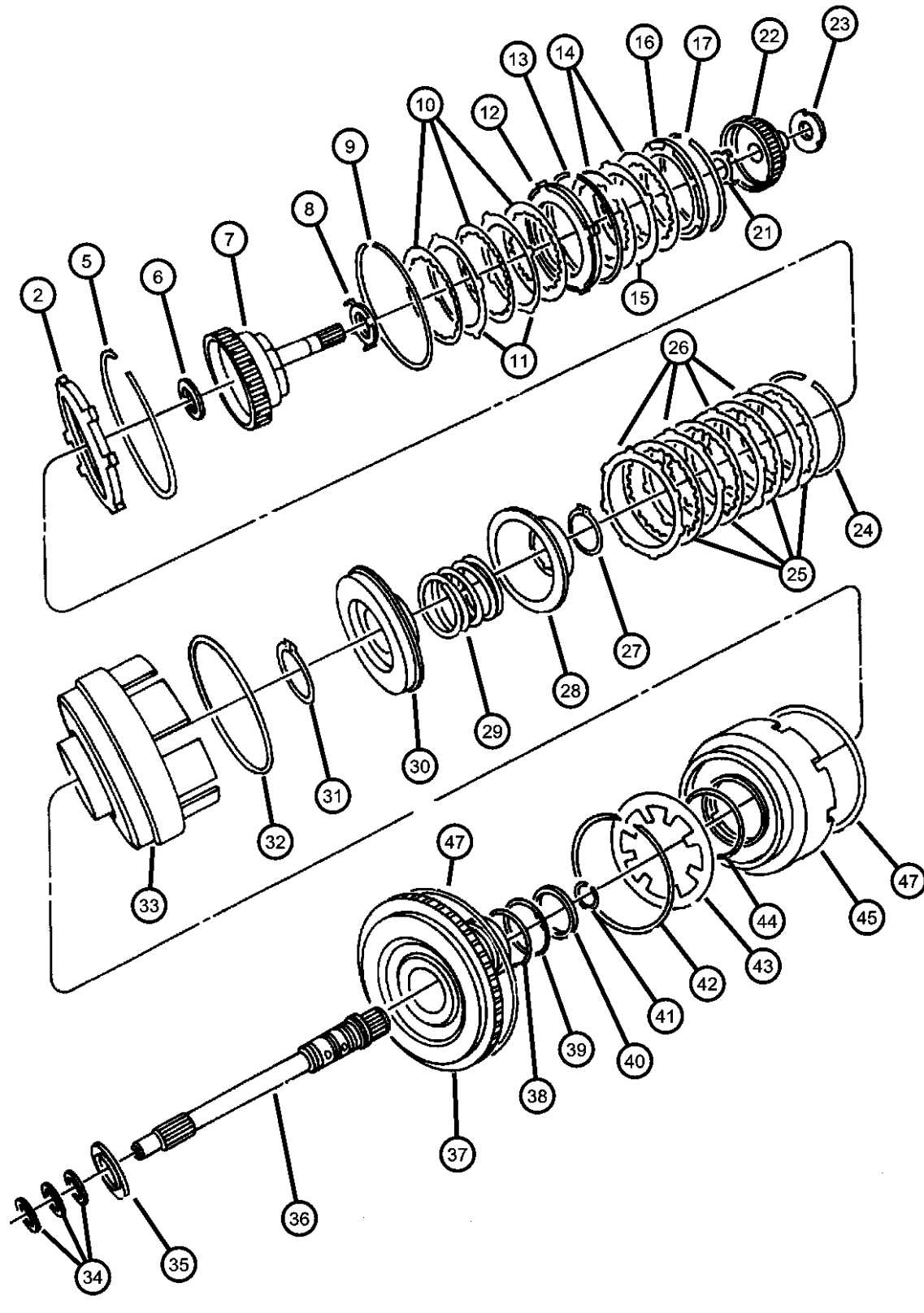
AR = use ase required - = Non illustrated part

2006 PT



Clutch, Input Shaft
Figure 41TE-420

ITEM	PART NUMBER	QTY	LINE	SERIES	BODY	ENGINE	TRANS	TRIM	DESCRIPTION
38	06502271	1				EDT, EDV	DGL		O RING, Transmission Clutch
39	06502269	2				EDT, EDV	DGL		O RING, Transmission Clutch
40	04659391AB	1				EDT, EDV	DGL		SEAL, Under Drive
41	06501702	1				EDT, EDV	DGL		SNAP RING
42	04412203	1				EDT, EDV	DGL		SNAP RING
43	04412202	1				EDT, EDV	DGL		SPRING, Overdrive Piston
44	06033158	1				EDT, EDV	DGL		O RING, Reverse & O/Drive Clutch Piston, Transmission
45	05017518AB	1				EDT, EDV	DGL		HUB PACKAGE, Input Clutch
-46	04531903	1				EDT, EDV	DGL		FILTER, Reverse And O/D Clutch
47	04659056	1				EDT, EDV	DGL		SEAL, Reverse Servo Piston



PT CRUISER (PT)

SERIES LINE
H = HIGHLINE C = CHRYSLER
P = PREMIUM Z = CHRYSLER (RHD)
S = SPORT
X = SPECIAL

BODY
27 = 2-DR CONVERTIBLE
44 = HATCHBACK/QUAD
CAB CHASSIS LWB

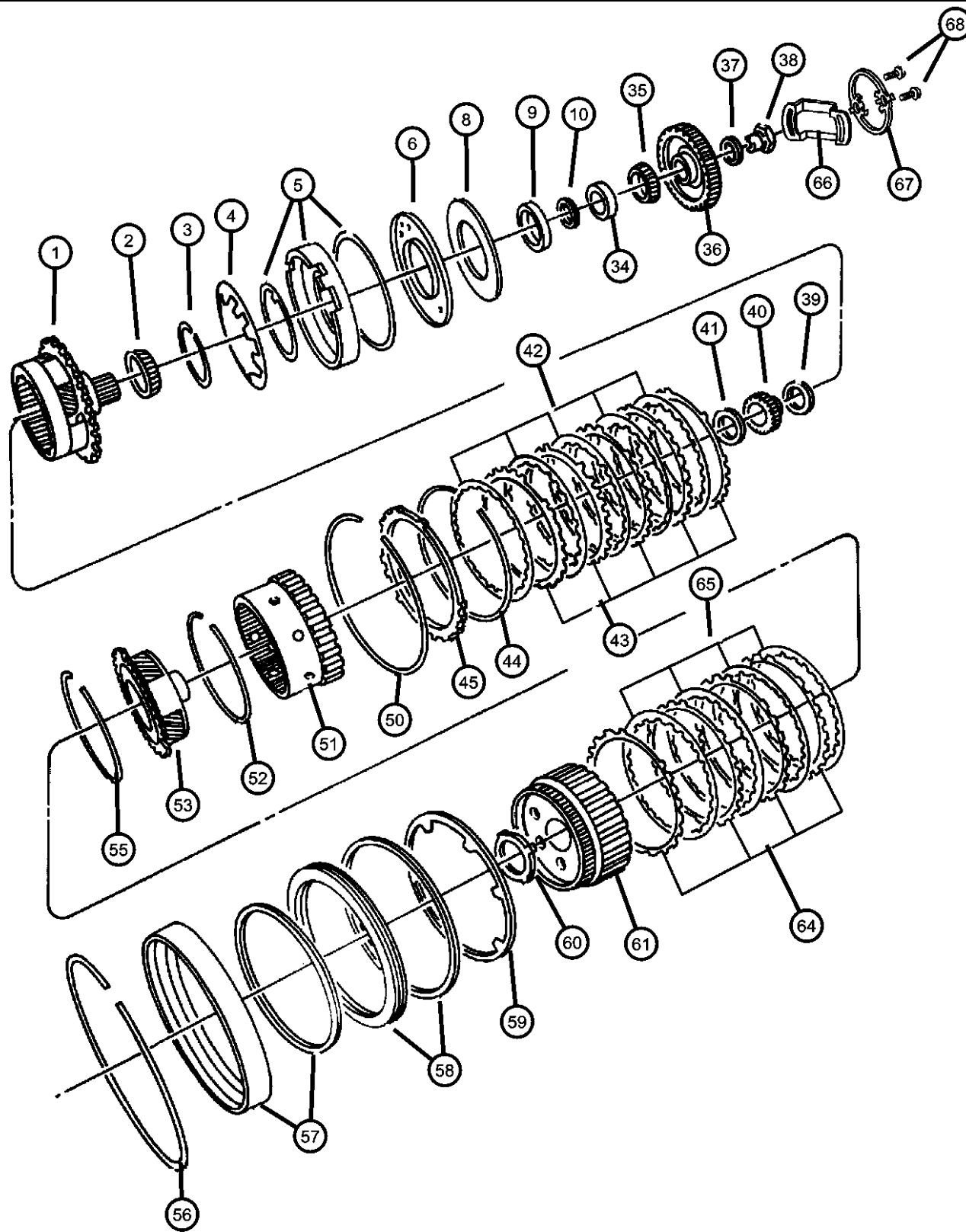
ENGINE
EDJ = 2.2L 4 Cyl Turbo Diesel Engine
EDT = 2.4L 4 Cyl DOHC 16V Turbo Engine
EDV = 2.4L 4 Cyl DOHC 16V HO Turbo Engine
EDZ = 2.4L 4 Cyl DOHC 16V SMPI Engine
EJD = 1.6L 4 Cyl SOHC 16V SMPI

TRANSMISSION
DGL = 4-Speed Automatic Transmission
DD5 = 5-Speed Manual Transmission
DDD = 5-Speed HD Manual Transmission

AR = use ase required - = Non illustrated part

2006 PT

Gear Train
Figure 41TE-430



ITEM	PART NUMBER	QTY	LINE	SERIES	BODY	ENGINE	TRANS	TRIM	DESCRIPTION
------	-------------	-----	------	--------	------	--------	-------	------	-------------

NOTE: PLEASE OBTAIN [PK] NUMBER TO ORDER CORRECT TRANSMISSION ASSEMBLY FOR THE [41TE]. [41TE] TRANSMISSIONS ARE WITH THE [40TE] EVEN IF THEY HAVE THE SAME SALES CODE [DGL].

Sales Codes:

[DGL]=4 Speed Automatic Transmission - [41TE]

[EDT]=2.4L DOHC 16V Turbo Engine

[EDV]=2.4L DOHC 16V 4 Cyl. High Output Turbo Engine

1	05014200AB	1				EDT, EDV	DGL		CARRIER AND BEARING, Planet Pinion
2	04659238	1				EDT, EDV	DGL		BEARING CONE, Differential
3	06501853	1				EDT, EDV	DGL		SNAP RING
4	04800236AA	1				EDT, EDV	DGL		SPRING, Low/Reverse Clutch Piston
5	04800256AA	1				EDT, EDV	DGL		PISTON, Low and Reverse Clutch
6	04800255AA	1				EDT, EDV	DGL		RETAINER, Transmission Low and Reverse Clutch Piston
-7	06501819	3				EDT, EDV	DGL		SCREW AND WASHER, Pan Head, M5x0.8x11.00
8	04800253AA	1				EDT, EDV	DGL		GASKET, Clutch Retainer
9	04567022	1				EDT, EDV	DGL		BEARING CUP, Differential
10									SPACER, Output/Transfer Shaft
	04412801AB	1				EDT, EDV	DGL		[3.26MM]
	04412802AB	1				EDT, EDV	DGL		[3.30MM]
	04412803AB	1				EDT, EDV	DGL		[3.34MM]
	04412804AB	1				EDT, EDV	DGL		[3.38MM]
	04412806AB	1				EDT, EDV	DGL		[3.46MM]
	04412807AB	1				EDT, EDV	DGL		[3.50MM]
	04412808AB	1				EDT, EDV	DGL		[3.54MM]
	04412809AB	1				EDT, EDV	DGL		[3.58MM]
	04412810AB	1				EDT, EDV	DGL		[3.62MM]
	04412811AB	1				EDT, EDV	DGL		[3.66MM]
	04412812AB	1				EDT, EDV	DGL		[3.70MM]
	04412813AB	1				EDT, EDV	DGL		[3.74MM]
	04412814AB	1				EDT, EDV	DGL		[3.78MM]
	04412815AB	1				EDT, EDV	DGL		[3.82MM]
	04412816AB	1				EDT, EDV	DGL		[3.86MM]

PT CRUISER (PT)

SERIES LINE
H = HIGHLINE C = CHRYSLER
P = PREMIUM Z = CHRYSLER (RHD)
S = SPORT
X = SPECIAL

BODY
27 = 2-DR CONVERTIBLE
44 = HATCHBACK/QUAD
CAB CHASSIS LWB

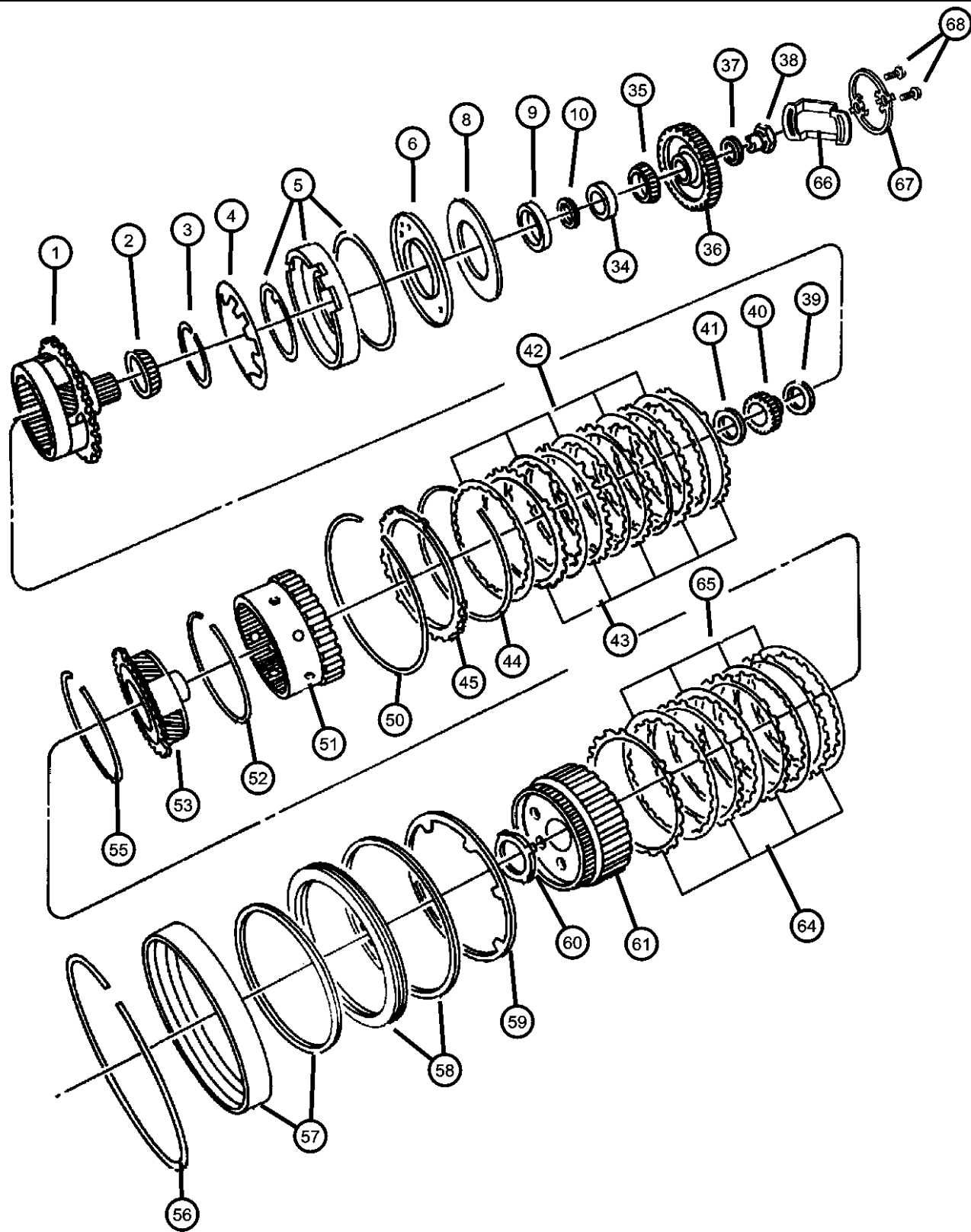
ENGINE
EDJ = 2.2L 4 Cyl Turbo Diesel Engine
EDT = 2.4L 4 Cyl DOHC 16V Turbo Engine
EDV = 2.4L 4 Cyl DOHC 16V HO Turbo Engine
EDZ = 2.4L 4 Cyl DOHC 16V SMPI Engine
EJD = 1.6L 4 Cyl SOHC 16V SMPI

TRANSMISSION
DGL = 4-Speed Automatic Transmission
DD5 = 5-Speed Manual Transmission
DDD = 5-Speed HD Manual Transmission

AR = use ase required - = Non illustrated part

2006 PT

Gear Train
Figure 41TE-430



ITEM	PART NUMBER	QTY	LINE	SERIES	BODY	ENGINE	TRANS	TRIM	DESCRIPTION
	04412817AB	1				EDT, EDV	DGL		[3.90MM]
	04412818AB	1				EDT, EDV	DGL		[3.94MM]
	04412819AB	1				EDT, EDV	DGL		[3.98MM]
	04412820AB	1				EDT, EDV	DGL		[4.02MM]
	04412821AB	1				EDT, EDV	DGL		[4.06MM]
	04412822AB	1				EDT, EDV	DGL		[4.10MM]
	04412823AB	1				EDT, EDV	DGL		[4.14MM]
	04412824AB	1				EDT, EDV	DGL		[4.18MM]
	04412825AB	1				EDT, EDV	DGL		[4.22MM]
	04412826AB	1				EDT, EDV	DGL		[4.26MM]
	04412827AB	1				EDT, EDV	DGL		[4.30MM]
11	04412234	1				EDT, EDV	DGL		BEARING CUP, Output Shaft
12	04412235AB	1				EDT, EDV	DGL		BEARING CONE, Output Shaft
13	04713444AD	1				EDT, EDV	DGL		GEAR PACKAGE, Output And Transfer Shaft
14	06501832	1				EDT, EDV	DGL		WASHER, Output Shaft
15	06506972AA	1				EDT, EDV	DGL		BOLT, Hex Head
16	04800082AA	1				EDT, EDV	DGL		THRUST BEARING
17	04377080	1				EDT, EDV	DGL		GEAR, Sun
18	04412229AB	1				EDT, EDV	DGL		THRUST BEARING, Rear Sun Gear, Front
19	04567573AB	5				EDT, EDV	DGL		DISC, Clutch
20	04659055	5				EDT, EDV	DGL		PLATE, Transmission Clutch Reaction
21	04412395	1				EDT, EDV	DGL		SNAP RING
22	04897452AA	1				EDT, EDV	DGL		PLATE PACKAGE, Low/Reverse Clutch, 5.753/6.012
-23	04897453AA	1				EDT, EDV	DGL		PLATE PACKAGE, Low/Reverse Clutch, 6.013/6.272
-24	04897454AA	1				EDT, EDV	DGL		PLATE PACKAGE, Low/Reverse Clutch, 6.273/6.532
-25	04897455AA	1				EDT, EDV	DGL		PLATE PACKAGE, Low/Reverse Clutch, 6.533/6.792
-26	04897456AA	1				EDT, EDV	DGL		PLATE PACKAGE, Low/Reverse Clutch, 6.793/7.052

PT CRUISER (PT)

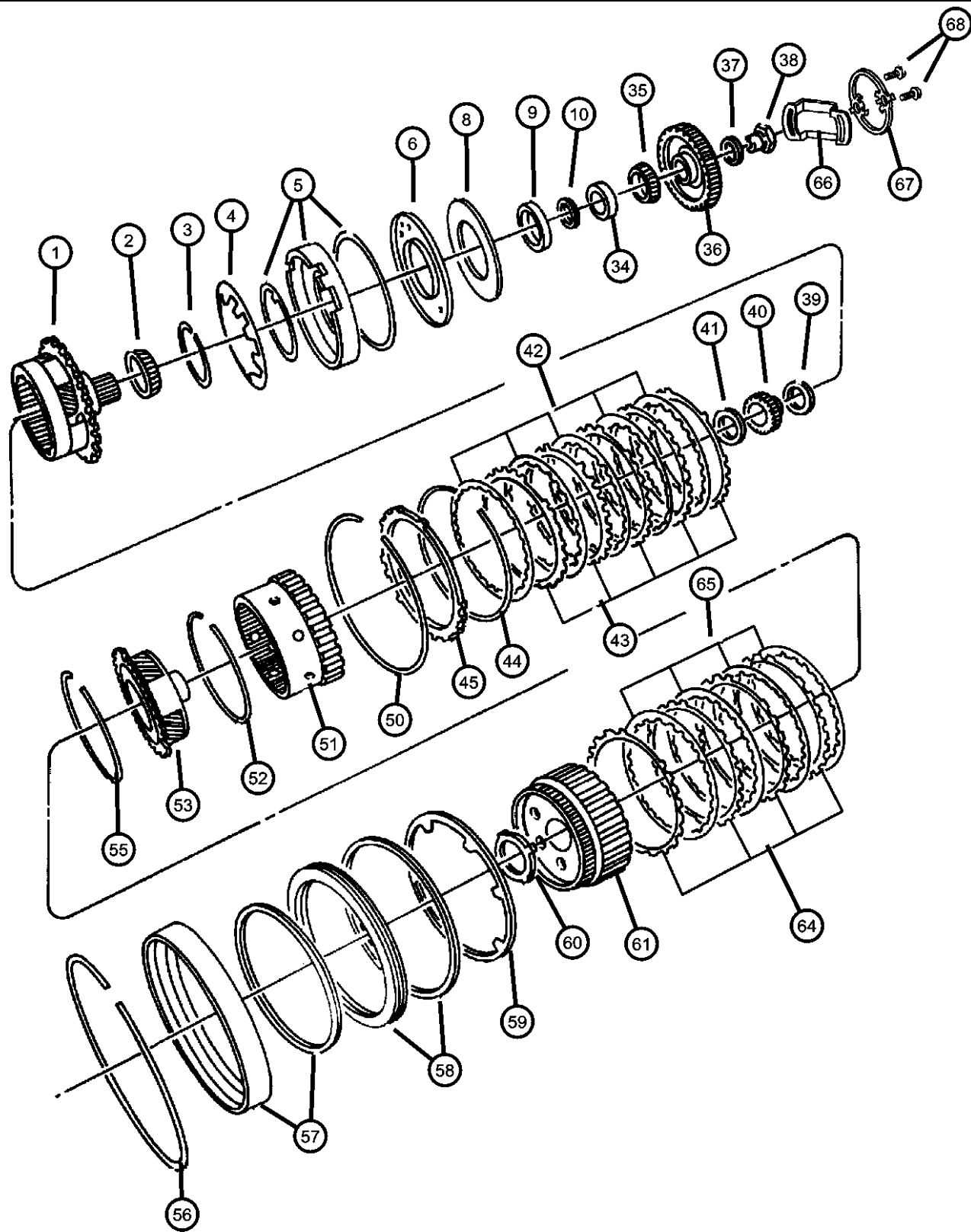
SERIES LINE
H = HIGHLINE C = CHRYSLER
P = PREMIUM Z = CHRYSLER (RHD)
S = SPORT
X = SPECIAL

BODY
27 = 2-DR CONVERTIBLE
44 = HATCHBACK/QUAD
CAB CHASSIS LWB

ENGINE TRANSMISSION
EDJ = 2.2L 4 Cyl Turbo Diesel Engine
EDT = 2.4L 4 Cyl DOHC 16V Turbo Engine
EDV = 2.4L 4 Cyl DOHC 16V HO Turbo Engine
EDZ = 2.4L 4 Cyl DOHC 16V SMPI Engine
EJD = 1.6L 4 Cyl SOHC 16V SMPI
DGL = 4-Speed Automatic Transmission
DD5 = 5-Speed Manual Transmission
DDD = 5-Speed HD Manual Transmission

AR = use ase required - = Non illustrated part

Gear Train
Figure 41TE-430



ITEM	PART NUMBER	QTY	LINE	SERIES	BODY	ENGINE	TRANS	TRIM	DESCRIPTION
27	04799858AA	1				EDT, EDV	DGL		SNAP RING
28	04799794	1				EDT, EDV	DGL		GEAR, Annulus
29	06035238	2				EDT, EDV	DGL		SNAP RING
30	04567539AB	1				EDT, EDV	DGL		CARRIER, Planetary Pinion
-31	04800082AA	1				EDT, EDV	DGL		THRUST BEARING
32	06035238	2				EDT, EDV	DGL		SNAP RING
33	04505591	1				EDT, EDV	DGL		SNAP RING
34	05102880AA	1				EDT, EDV	DGL		RETAINER PACKAGE, 2nd & 4th Clutch Piston
35	05102880AA	1				EDT, EDV	DGL		RETAINER PACKAGE, 2nd & 4th Clutch Piston
36	04412248	1				EDT, EDV	DGL		SPRING, 2nd And 4th Clutch Piston
37	04412216AB	1				EDT, EDV	DGL		THRUST WASHER, Second and Fourth Clutch
38	04659618AB	1				EDT, EDV	DGL		HUB AND GEAR, Second And Fourth Clutch
-39	03681949	6				EDT, EDV	DGL		THRUST WASHER, Planet Pinion
-40	05102880AA	1				EDT, EDV	DGL		RETAINER PACKAGE, 2nd & 4th Clutch Piston
41	04659054	4				EDT, EDV	DGL		PLATE, Transmission Clutch Reaction
42	04799860AB	4				EDT, EDV	DGL		DISC, Clutch
43	04567263	1				EDT, EDV	DGL		STIRRUP, Retaining Nut
44	04659134	1				EDT, EDV	DGL		STRAP, Retaining
45	06503355	2				EDT, EDV	DGL		BOLT, Hex Head, M8x1.25x10.00
-46	03743664	57				EDT, EDV	DGL		ROLLER, Front and Rear Pinion

PT CRUISER (PT)

SERIES LINE
H = HIGHLINE C = CHRYSLER
P = PREMIUM Z = CHRYSLER (RHD)
S = SPORT
X = SPECIAL

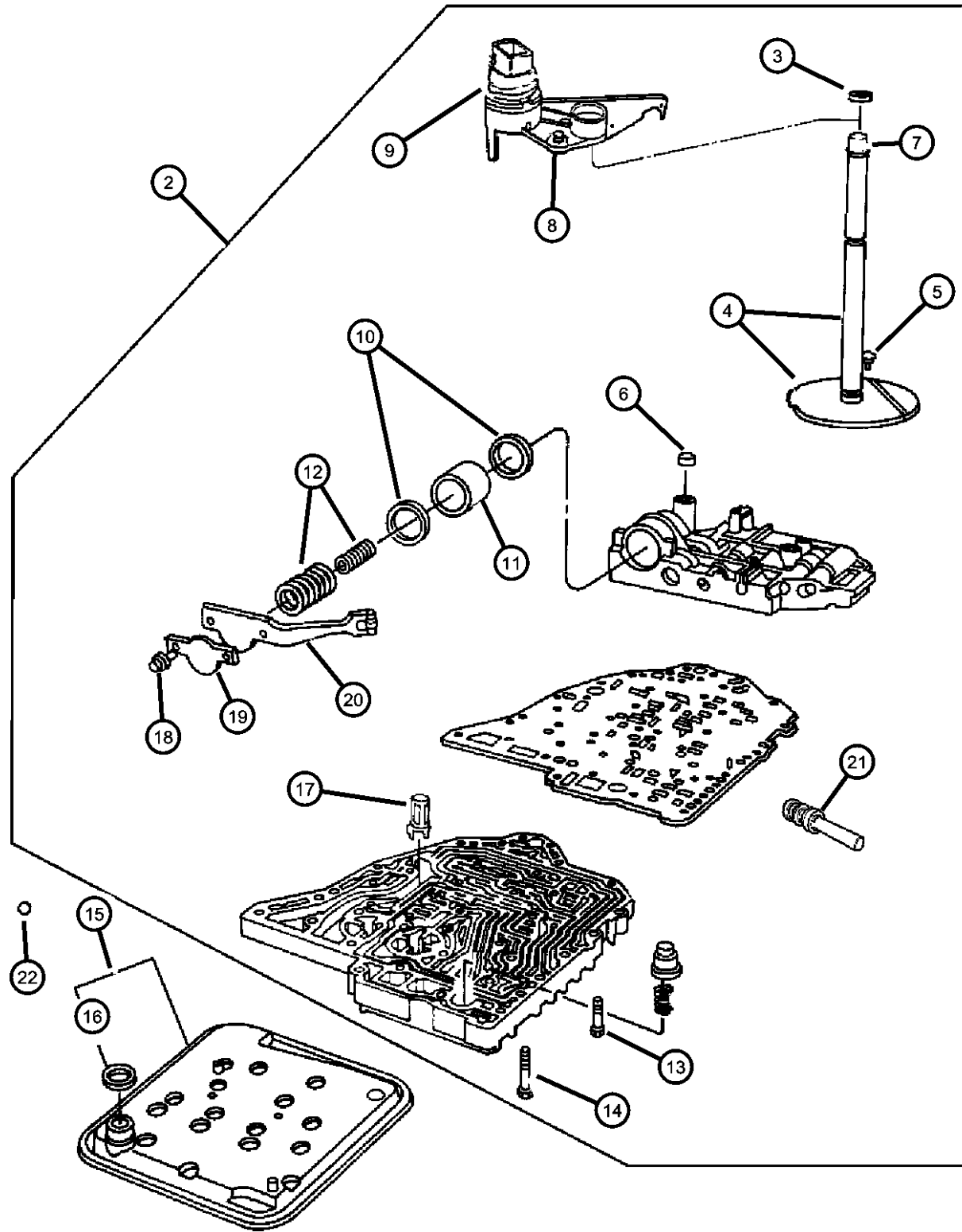
BODY
27 = 2-DR CONVERTIBLE
44 = HATCHBACK/QUAD
CAB CHASSIS LWB

ENGINE
EDJ = 2.2L 4 Cyl Turbo Diesel Engine
EDT = 2.4L 4 Cyl DOHC 16V Turbo Engine
EDV = 2.4L 4 Cyl DOHC 16V HO Turbo Engine
EDZ = 2.4L 4 Cyl DOHC 16V SMPI Engine
EJD = 1.6L 4 Cyl SOHC 16V SMPI

TRANSMISSION
DGL = 4-Speed Automatic Transmission
DD5 = 5-Speed Manual Transmission
DDD = 5-Speed HD Manual Transmission

AR = use ase required - = Non illustrated part

Valve Body
Figure 41TE-710



ITEM	PART NUMBER	QTY	LINE	SERIES	BODY	ENGINE	TRANS	TRIM	DESCRIPTION
------	-------------	-----	------	--------	------	--------	-------	------	-------------

NOTE: PLEASE OBTAIN [PK] NUMBER TO ORDER CORRECT PARTS FOR THE [40TE] TRANSMISSION. SOME PARTS ARE NOT INTERCHANGIBLE WITH THE [41TE] EVEN IF THEY HAVE THE SAME SALES CODE [DGL].

Sales Codes:
[DGL]=4 Speed Automatic Transmission - [40TE]
[EDZ]=2.4L 4 Cyl. 16V DOHC Engine

-1	04864696AB	1				EDT, EDV	DGL		GASKET PACKAGE, Valve Body
2	05137566AA	1				EDT, EDV	DGL		VALVE BODY, Complete
3	04412836	1				EDT, EDV	DGL		SEAL, Manual Valve Lever
4	04800278AA	1				EDT, EDV	DGL		LEVER, Manual Valve
5	06506245AA	1				EDT, EDV	DGL		SCREW
6	04412291	1				EDT, EDV	DGL		SEAL, Clutch Feed
7	04505557	1				EDT, EDV	DGL		VENT, Transmission
8	04659676AC	1				EDT, EDV	DGL		SENSOR, Transmission Range
9	04659678	1				EDT, EDV	DGL		SEAL, Manual Valve Position Sensor
10	04659678	1							SEAL, Accumulator, Serviced With Piston, (NOT SERVICED)
11	04446620AC	1				EDT, EDV	DGL		PISTON, Accumulator
12	04800310AA	1				EDT, EDV	DGL		SPRING, Accumulator
13	06500215	24				EDT, EDV	DGL		SCREW AND WASHER, Pan Head, M5x.8x25
14	06100155	18				EDT, EDV	DGL		BOLT, Hex Head, M8x30
15	04864505AB	1				EDT, EDV	DGL		FILTER PACKAGE, Transmission Oil
16	06032780	1				EDT, EDV	DGL		O RING, Trans Oil Filter
17	03878313	1				EDT, EDV	DGL		SCREEN, Transmission Regulator Valve
18	06503232	3				EDT, EDV	DGL		SCREW, Pan Head, M5 x 0.8 x 12.60
19	04431711	1				EDT, EDV	DGL		RETAINER, Transmission 2nd and 4th Accumulator Piston
20	04431710	1				EDT, EDV	DGL		DETENT, Valve Body
21	04659081	1				EDT, EDV	DGL		VALVE, Transmission Regulator
22	52118261	1				EDT, EDV	DGL		BALL, Check

PT CRUISER (PT)

SERIES LINE
H = HIGHLINE C = CHRYSLER
P = PREMIUM Z = CHRYSLER (RHD)
S = SPORT
X = SPECIAL

BODY
27 = 2-DR CONVERTIBLE
44 = HATCHBACK/QUAD
CAB CHASSIS LWB

ENGINE
EDJ = 2.2L 4 Cyl Turbo Diesel Engine
EDT = 2.4L 4 Cyl DOHC 16V Turbo Engine
EDV = 2.4L 4 Cyl DOHC 16V HO Turbo Engine
EDZ = 2.4L 4 Cyl DOHC 16V SMPI Engine
EJD = 1.6L 4 Cyl SOHC 16V SMPI

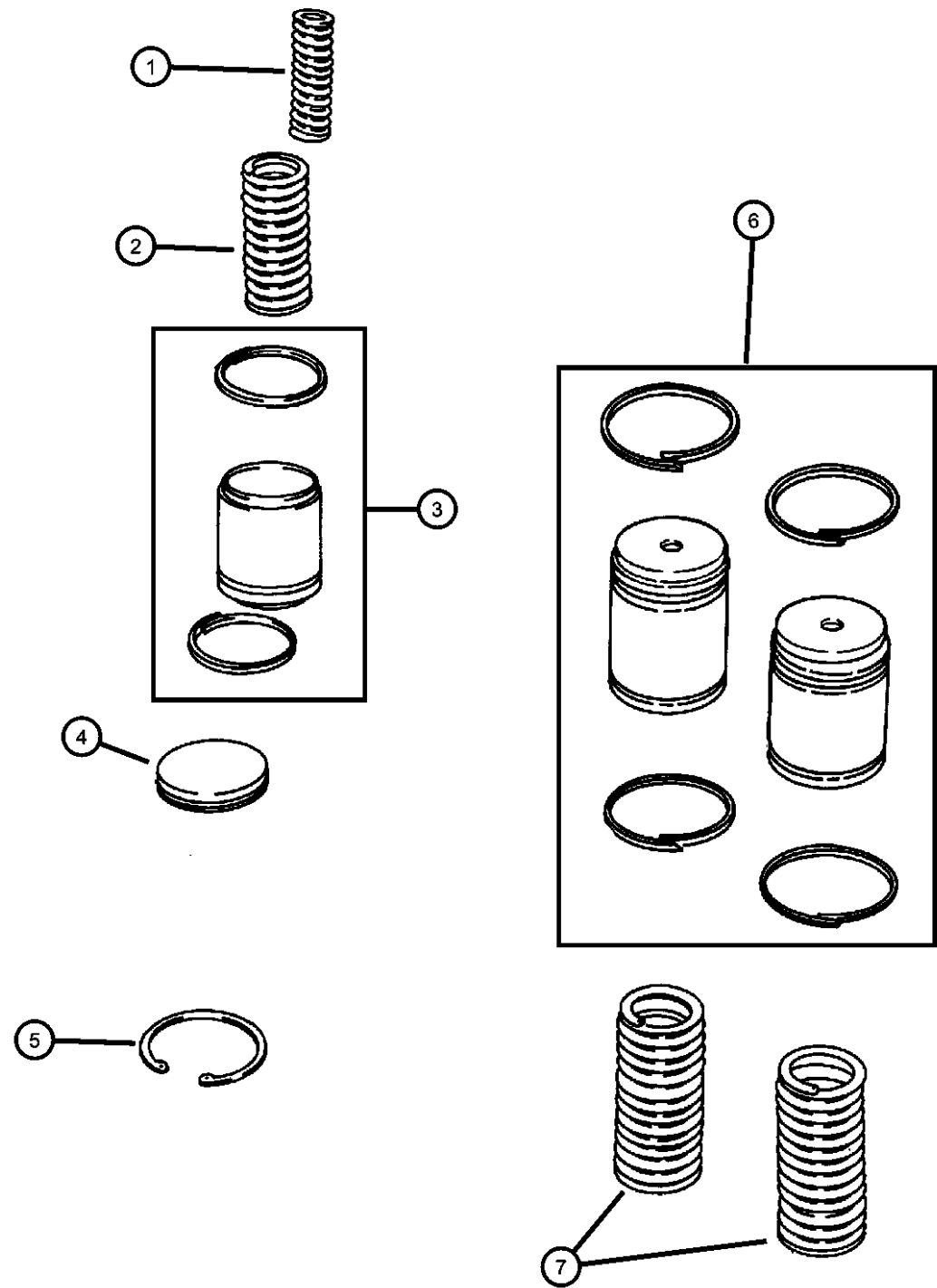
TRANSMISSION
DGL = 4-Speed Automatic Transmission
DD5 = 5-Speed Manual Transmission
DDD = 5-Speed HD Manual Transmission

AR = use ase required - = Non illustrated part

2006 PT

**Accumulator Piston & Spring
Figure 41TE-720**

ITEM	PART NUMBER	QTY	LINE	SERIES	BODY	ENGINE	TRANS	TRIM	DESCRIPTION
------	-------------	-----	------	--------	------	--------	-------	------	-------------



NOTE: PLEASE OBTAIN [PK] NUMBER TO ORDER CORRECT TRANSMISSION ASSEMBLY FOR THE [41TE]. [41TE] TRANSMISSIONS ARE WITH THE [40TE] EVEN IF THEY HAVE THE SAME SALES CODE [DGL].

Sales Codes:

[DGL]=4 Speed Automatic Transmission - [41TE]

[EDT]=2.4L DOHC 16V Turbo Engine

[EDV]=2.4L DOHC 16V 4 Cyl. High Output Turbo Engine

1	04471880	1				EDT, EDV	DGL		SPRING, Accumulator
2	04800310AA	1				EDT, EDV	DGL		SPRING, Accumulator
3	04446620AC	1				EDT, EDV	DGL		PISTON, Accumulator
4	04431617AB	1				EDT, EDV	DGL		COVER, Accumulator
5	06501695	1				EDT, EDV	DGL		SNAP RING
6	04446620AC	1				EDT, EDV	DGL		PISTON, Accumulator
7	04800209AB	1				EDT, EDV	DGL		SPRING, Accumulator

PT CRUISER (PT)

SERIES LINE
H = HIGHLINE C = CHRYSLER
P = PREMIUM Z = CHRYSLER (RHD)
S = SPORT
X = SPECIAL

BODY
27 = 2-DR CONVERTIBLE
44 = HATCHBACK/QUAD
CAB CHASSIS LWB

ENGINE
EDJ = 2.2L 4 Cyl Turbo Diesel Engine
EDT = 2.4L 4 Cyl DOHC 16V Turbo Engine
EDV = 2.4L 4 Cyl DOHC 16V HO Turbo Engine
EDZ = 2.4L 4 Cyl DOHC 16V SMPI Engine
EJD = 1.6L 4 Cyl SOHC 16V SMPI

TRANSMISSION
DGL = 4-Speed Automatic Transmission
DD5 = 5-Speed Manual Transmission
DDD = 5-Speed HD Manual Transmission

AR = use ase required - = Non illustrated part

2006 PT

**Parking Sprag
Figure 41TE-730**

ITEM	PART NUMBER	QTY	LINE	SERIES	BODY	ENGINE	TRANS	TRIM	DESCRIPTION
------	-------------	-----	------	--------	------	--------	-------	------	-------------

NOTE: PLEASE OBTAIN [PK] NUMBER TO ORDER CORRECT TRANSMISSION ASSEMBLY FOR THE [41TE]. [41TE] TRANSMISSIONS ARE WITH THE [40TE] EVEN IF THEY HAVE THE SAME SALES CODE [DGL].

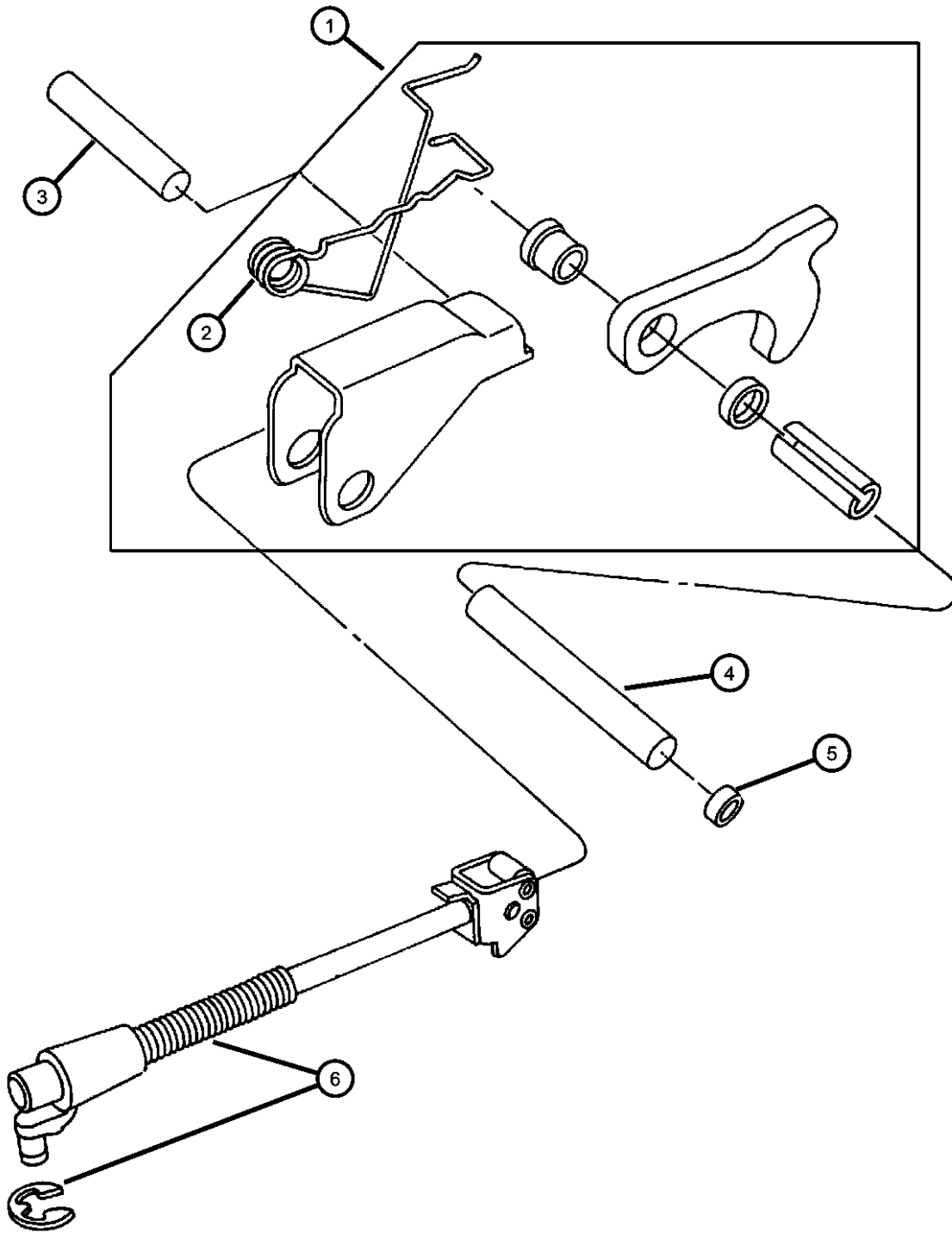
Sales Codes:

[DGL]=4 Speed Automatic Transmission - [41TE]

[EDT]=2.4L DOHC 16V Turbo Engine

[EDV]=2.4L DOHC 16V 4 Cyl. High Output Turbo Engine

1	04883505AB	1				EDT, EDV	DGL		GUIDE PACKAGE, Parking Sprag Pawl
2	52852949AA	1				EDT, EDV	DGL		SPRING, Parking Sprag Return
3	04431999	1				EDT, EDV	DGL		SHAFT, Parking Sprag
4	04412289	1				EDT, EDV	DGL		SHAFT, Parking Sprag
5	04446612	1				EDT, EDV	DGL		CUP, Parking Brake Sprag
6	04800276AA	1				EDT, EDV	DGL		ROD, Parking Sprag



PT CRUISER (PT)

SERIES LINE
H = HIGHLINE C = CHRYSLER
P = PREMIUM Z = CHRYSLER (RHD)
S = SPORT
X = SPECIAL

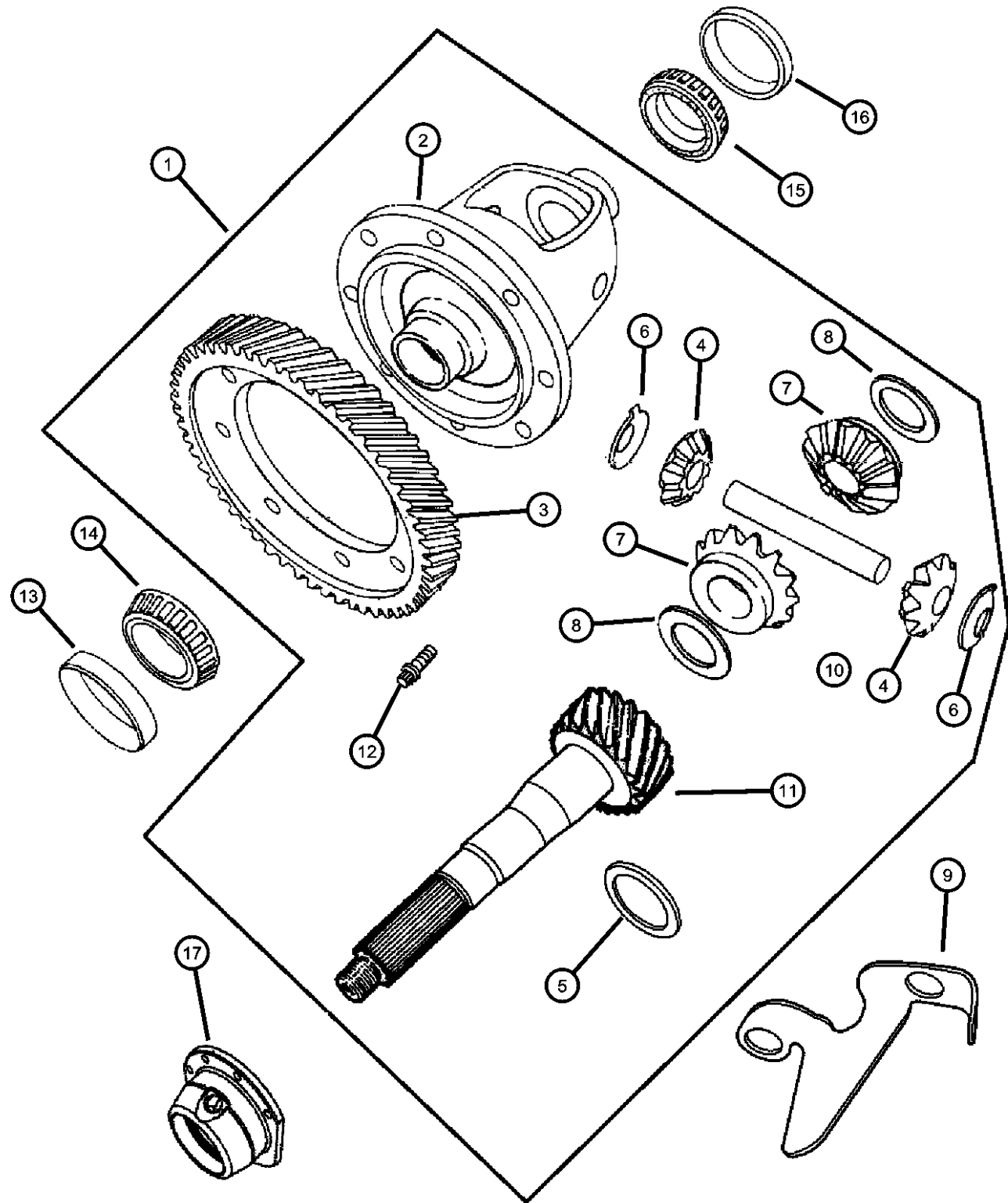
BODY
27 = 2-DR CONVERTIBLE
44 = HATCHBACK/QUAD
CAB CHASSIS LWB

ENGINE TRANSMISSION
EDJ = 2.2L 4 Cyl Turbo Diesel Engine
EDT = 2.4L 4 Cyl DOHC 16V Turbo Engine
EDV = 2.4L 4 Cyl DOHC 16V HO Turbo Engine
EDZ = 2.4L 4 Cyl DOHC 16V SMPI Engine
EJD = 1.6L 4 Cyl SOHC 16V SMPI
DGL = 4-Speed Automatic Transmission
DD5 = 5-Speed Manual Transmission
DDD = 5-Speed HD Manual Transmission

AR = use ase required - = Non illustrated part

2006 PT

Differential
Figure 41TE-810



ITEM	PART NUMBER	QTY	LINE	SERIES	BODY	ENGINE	TRANS	TRIM	DESCRIPTION
------	-------------	-----	------	--------	------	--------	-------	------	-------------

NOTE: PLEASE OBTAIN [PK] NUMBER TO ORDER CORRECT TRANSMISSION ASSEMBLY FOR THE [41TE]. [41TE] TRANSMISSIONS ARE WITH THE [40TE] EVEN IF THEY HAVE THE SAME SALES CODE [DGL].

Sales Codes:

[DGL]=4 Speed Automatic Transmission - [41TE]

[EDT]=2.4L DOHC 16V Turbo Engine

[EDV]=2.4L DOHC 16V 4 Cyl. High Output Turbo Engine

1	04800241AB	1				EDT, EDV	DGL		DIFFERENTIAL, Transaxle
2	04800241AB	1							CASE, Differential, Serviced In # 1, (NOT SERVICED)
3	04659175AB	1				EDT, EDV	DGL		GEAR, Differential Ring, 60 Teeth
4	04800300AA	2				EDT, EDV	DGL		PINION, Differential
5	03681949	6				EDT, EDV	DGL		THRUST WASHER, Planet Pinion
6	04412521	2				EDT, EDV	DGL		WASHER, Thrust
7	04800299AA	2				EDT, EDV	DGL		GEAR, Differential Side
8	04504568	1				EDT, EDV	DGL		WASHER PACKAGE, Side Gear Thrust
9	04800013AB	2				EDT, EDV	DGL		BRACKET, Differential Pinion Shaft
10	04659142AB	1				EDT, EDV	DGL		SHAFT, Pinion Gear
11	04531976AB	1				EDT, EDV	DGL		SHAFT, Transfer Gear
12	06502034	12				EDT, EDV	DGL		SCREW, Special Shouldered, M10x1x29
13	04800230AA	1				EDT, EDV	DGL		CUP, Differential Side
14	04659238	1				EDT, EDV	DGL		BEARING CONE, DifferentialLeft
15	04567025AB	1				EDT, EDV	DGL		BEARING CONE, DifferentialRight
16	04567022	1				EDT, EDV	DGL		BEARING CUP, Differential
17	04659736	1				EDT, EDV	DGL		RETAINER, Differential Bearing
-18	04659253	AR				EDT, EDV	DGL		SPACER, Final Drive, 0.82mm
-19	04659257	AR				EDT, EDV	DGL		SPACER, Final Drive, 0.98mm
-20	04659258	AR				EDT, EDV	DGL		SPACER, Final Drive, 1.02mm
-21	04659259	AR				EDT, EDV	DGL		SPACER, Final Drive, 1.06mm
-22	04659260	AR				EDT, EDV	DGL		SPACER, Final Drive, 1.10mm
-23	04659261	AR				EDT, EDV	DGL		SPACER, Final Drive, 1.14mm
-24	04659262	AR				EDT, EDV	DGL		SPACER, Final Drive, 1.18mm
-25	04659263	AR				EDT, EDV	DGL		SPACER, Final Drive, 1.22mm
-26	04659264	AR				EDT, EDV	DGL		SPACER, Final Drive, 1.26mm

PT CRUISER (PT)

SERIES LINE
 H = HIGHLINE C = CHRYSLER
 P = PREMIUM Z = CHRYSLER (RHD)
 S = SPORT
 X = SPECIAL

BODY
 27 = 2-DR CONVERTIBLE
 44 = HATCHBACK/QUAD
 CAB CHASSIS LWB

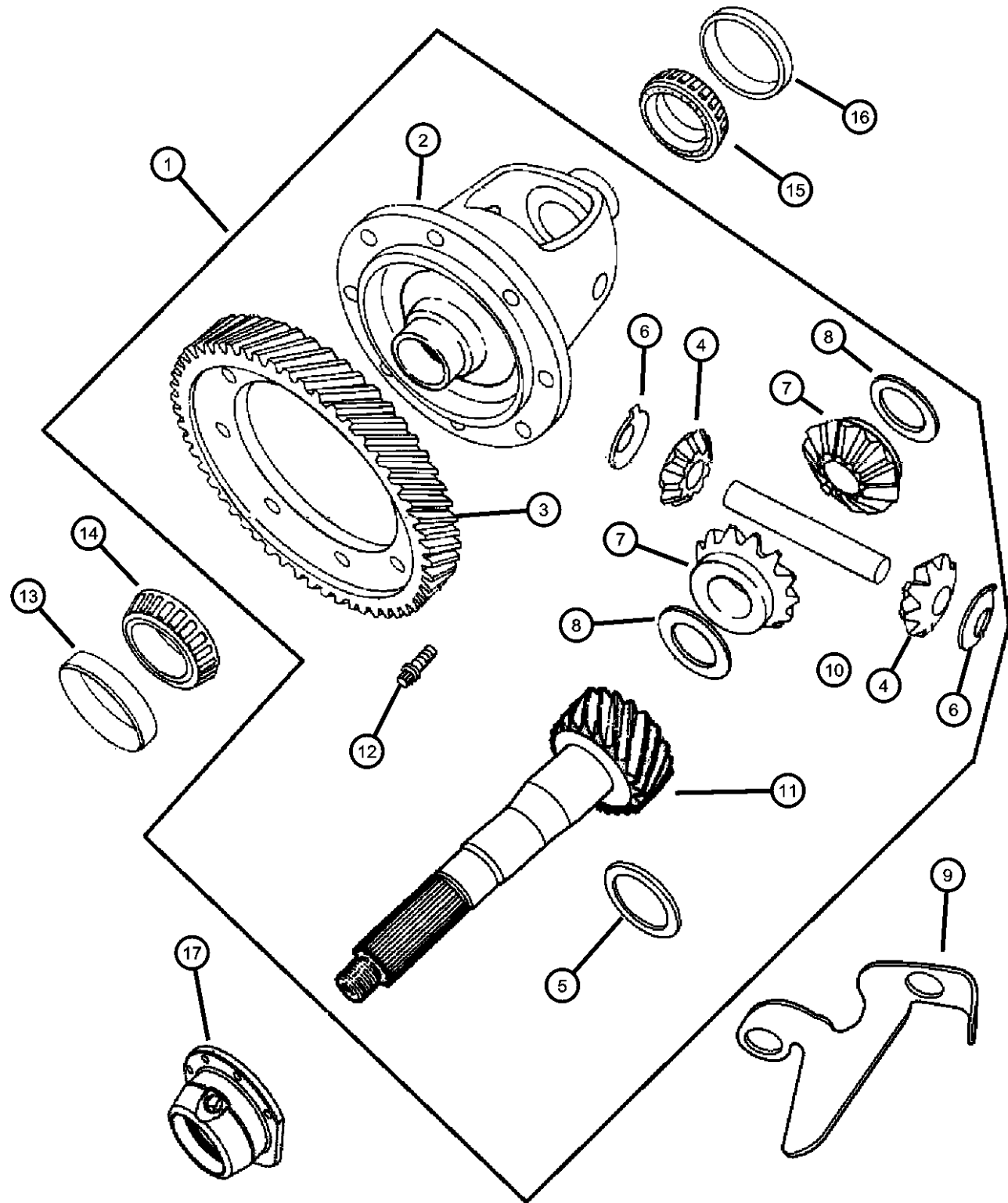
ENGINE
 EDJ = 2.2L 4 Cyl Turbo Diesel Engine
 EDT = 2.4L 4 Cyl DOHC 16V Turbo Engine
 EDV = 2.4L 4 Cyl DOHC 16V HO Turbo Engine
 EDZ = 2.4L 4 Cyl DOHC 16V SMPI Engine
 EJD = 1.6L 4 Cyl SOHC 16V SMPI

TRANSMISSION
 DGL = 4-Speed Automatic Transmission
 DD5 = 5-Speed Manual Transmission
 DDD = 5-Speed HD Manual Transmission

AR = use ase required - = Non illustrated part

2006 PT

Differential
Figure 41TE-810



ITEM	PART NUMBER	QTY	LINE	SERIES	BODY	ENGINE	TRANS	TRIM	DESCRIPTION
-27	04659265	AR				EDT, EDV	DGL		SPACER, Final Drive, 1.30mm
-28	04659266	AR				EDT, EDV	DGL		SPACER, Final Drive, 1.34mm
-29	04659267	AR				EDT, EDV	DGL		SPACER, Final Drive, 1.38mm
-30	04659268	AR				EDT, EDV	DGL		SPACER, Final Drive, 1.42mm
-31	04659269	AR				EDT, EDV	DGL		SPACER, Final Drive, 1.46mm
-32	04659270	AR				EDT, EDV	DGL		SPACER, Final Drive, 1.50mm
-33	04659271	AR				EDT, EDV	DGL		SPACER, Final Drive, 1.54mm
-34	04659272	AR				EDT, EDV	DGL		SPACER, Final Drive, 1.58mm
-35	04659273	AR				EDT, EDV	DGL		SPACER, Final Drive, 1.62mm
-36	04659274	AR				EDT, EDV	DGL		SPACER, Final Drive, 1.66mm
-37	04659275	AR				EDT, EDV	DGL		SPACER, Final Drive, 1.70mm
-38	04659276	AR				EDT, EDV	DGL		SPACER, Final Drive, 1.74mm
-39	04659277	AR				EDT, EDV	DGL		SPACER, Final Drive, 1.78mm
-40	04659278	AR				EDT, EDV	DGL		SPACER, Final Drive, 1.82mm
-41	04659279	AR				EDT, EDV	DGL		SPACER, Final Drive, 1.86mm
-42	04659283	AR				EDT, EDV	DGL		SPACER, Final Drive, 2.02mm
-43	04659284	AR				EDT, EDV	DGL		SPACER, Final Drive, 2.06mm

PT CRUISER (PT)

SERIES LINE
 H = HIGHLINE C = CHRYSLER
 P = PREMIUM Z = CHRYSLER (RHD)
 S = SPORT
 X = SPECIAL

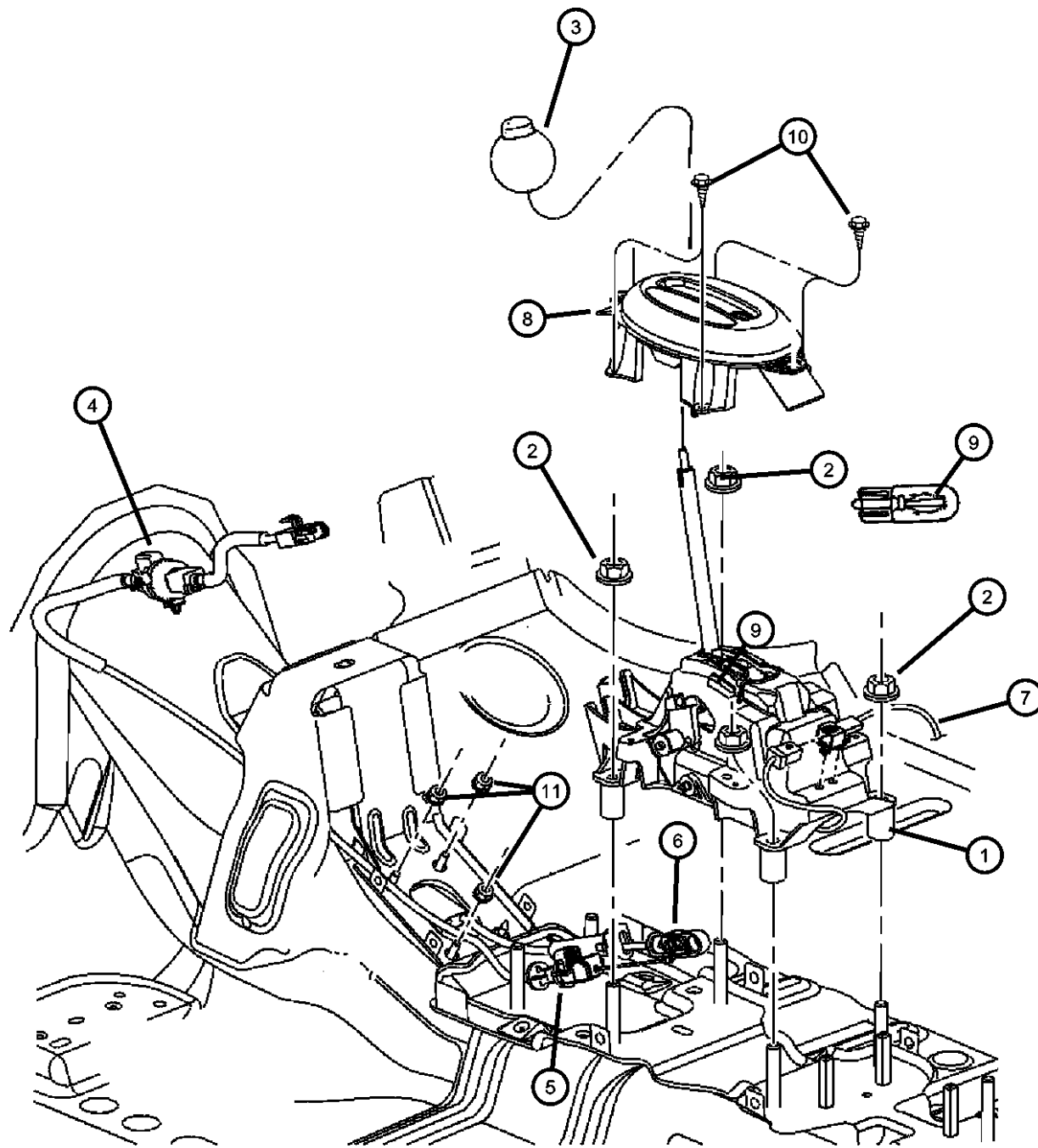
BODY
 27 = 2-DR CONVERTIBLE
 44 = HATCHBACK/QUAD
 CAB CHASSIS LWB

ENGINE TRANSMISSION
 EDJ = 2.2L 4 Cyl Turbo Diesel Engine
 EDT = 2.4L 4 Cyl DOHC 16V Turbo Engine
 EDV = 2.4L 4 Cyl DOHC 16V HO Turbo Engine
 EDZ = 2.4L 4 Cyl DOHC 16V SMPI Engine
 EJD = 1.6L 4 Cyl SOHC 16V SMPI
 DGL = 4-Speed Automatic Transmission
 DD5 = 5-Speed Manual Transmission
 DDD = 5-Speed HD Manual Transmission

AR = use ase required - = Non illustrated part

2006 PT

Gearshift Control
Figure 41TE-1210



ITEM	PART NUMBER	QTY	LINE	SERIES	BODY	ENGINE	TRANS	TRIM	DESCRIPTION
------	-------------	-----	------	--------	------	--------	-------	------	-------------

NOTE: PLEASE OBTAIN [PK] NUMBER TO ORDER CORRECT TRANSMISSION ASSEMBLY FOR THE [41TE]. [41TE] TRANSMISSIONS ARE WITH THE [40TE] EVEN IF THEY HAVE THE SAME SALES CODE [DGL].

Sales Codes:

- [CEK]=Color Keyed Knob
- [CVZ]=Sliver Shift Knob
- [DHD]=Autostick Transmission
- [DGL]=4 Speed Automatic Transmission - [40TE - AE]
- [EDT]=2.4L 4 Cyl. Turbo Engine
- [EDZ]=2.4L DOHC 16V 4 Cyl. Engine
- [EDV]=2.4L 4 Cyl. High Output Turbo Engine
- [JBS]=Color Keyed [PRNDL] Bezel
- [JBV]=Chrome [PRNDL] Bezel
- [JBW]=Satin Silver [PRNDL] Bezel

1	04668868AG	1					DGL		SHIFTER, Transmission
2	06101695	4					DGL		NUT, Hex Flange Lock
3									KNOB, Gearshift, Includes Mounting Screw / Screw Not Serviced
	1BX39BDAAA	1				EDT, EDZ	DGL		With [CEK] & [DA] Order Code
	1BX39DKAAA	1				EDT, EDZ	DGL		With [CEK] & [KA] Order Code
		1				EDT, EDV, EDZ	DGL		With [CVZ] & [DA] Or [KA] Order Code & Color Code [DKA]
	1BX44XZ2AA	1				EDT, EDV, EDZ	DGL		With [CVZ] & [DA] Or [KA] Order Code & Color Code [XZ2]
4	04668592AK	1	C				DGL		CABLE, Ignition Interlock
5	04668630AB	1					DGL		CLIP, Locking
6	05273285AC	1				EDT, EDV	DGL		CABLE, Gearshift Control
7	05273285AC	1							WIRING, Instrument Panel, See Electrical Group, (NOT SERVICED)
8									BEZEL, Console PRNDL
	0TR421DAAD	1	C				DGL		With [DHD+JBS] & [DA] Order Code
	0TR421KAAD	1	C				DGL		With [DHD+JBS] & [KA] Order Code
	0WC261Z2AD	1	C				DGL		With [JBW]
	0XA391Z0AB	1	C				DGL		With [DHD+JBV]
9	L0000194	1					DGL		BULB, 194

PT CRUISER (PT)

SERIES	LINE	BODY	ENGINE	TRANSMISSION
H = HIGHLINE	C = CHRYSLER	27 = 2-DR CONVERTIBLE	EDJ = 2.2L 4 Cyl Turbo Diesel Engine	DGL = 4-Speed Automatic Transmission
P = PREMIUM	Z = CHRYSLER (RHD)	44 = HATCHBACK/QUAD CAB CHASSIS LWB	EDT = 2.4L 4 Cyl DOHC 16V Turbo Engine	DD5 = 5-Speed Manual Transmission
S = SPORT			EDV = 2.4L 4 Cyl DOHC 16V HO Turbo Engine	DDD = 5-Speed HD Manual Transmission
X = SPECIAL			EDZ = 2.4L 4 Cyl DOHC 16V SMPI Engine	
			EJD = 1.6L 4 Cyl SOHC 16V SMPI	

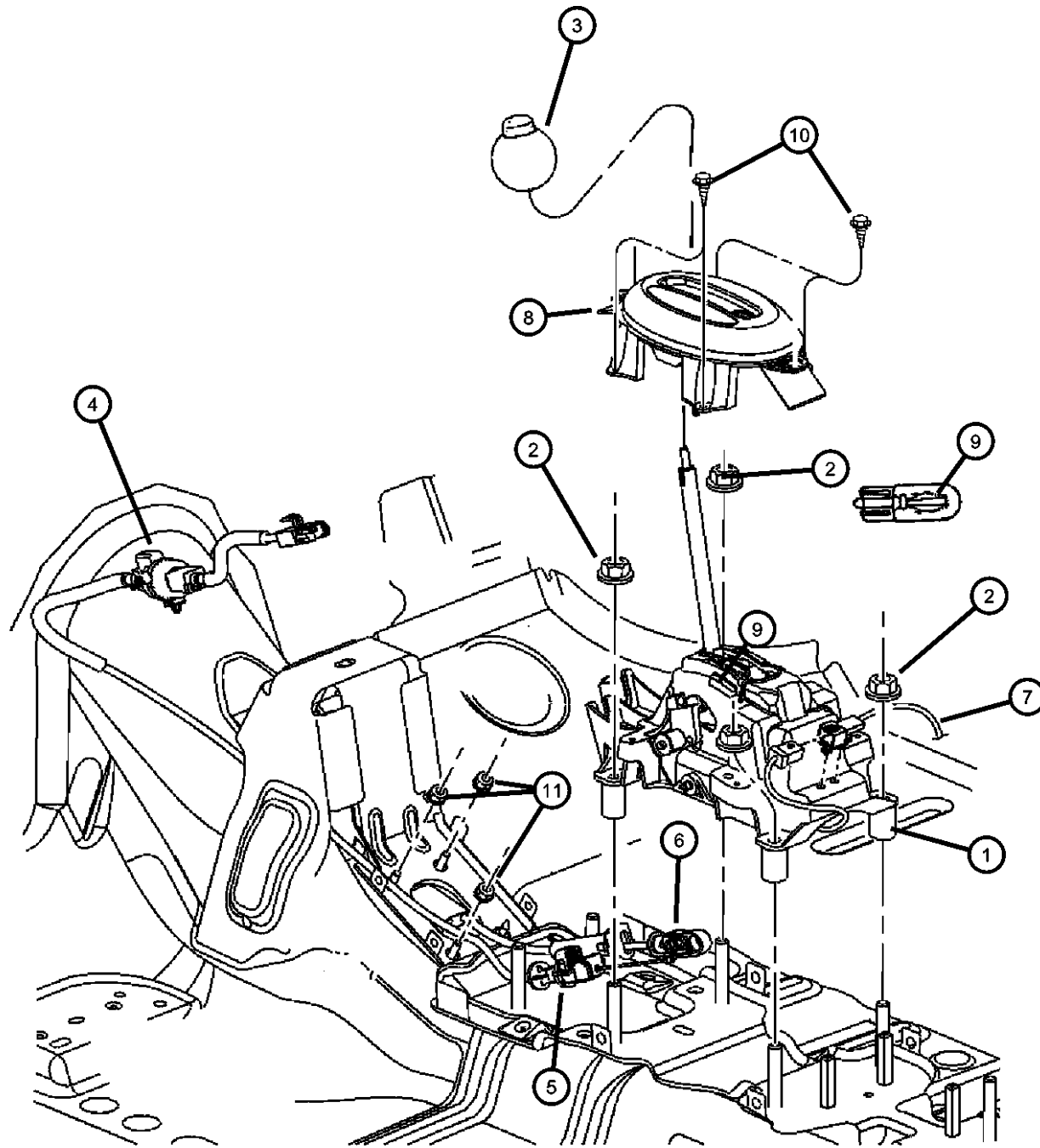
AR = use ase required - = Non illustrated part

2006 PT

**Gearshift Control
Figure 41TE-1210**

ITEM	PART NUMBER	QTY	LINE	SERIES	BODY	ENGINE	TRANS	TRIM	DESCRIPTION
------	-------------	-----	------	--------	------	--------	-------	------	-------------

10	L0000194	1							SCREW, [M5X1.81X15], (NOT SERVICED)
11	06502676	1							NUT, Hex, M6x1.00



PT CRUISER (PT)

SERIES LINE
H = HIGHLINE C = CHRYSLER
P = PREMIUM Z = CHRYSLER (RHD)
S = SPORT
X = SPECIAL

BODY
27 = 2-DR CONVERTIBLE
44 = HATCHBACK/QUAD
CAB CHASSIS LWB

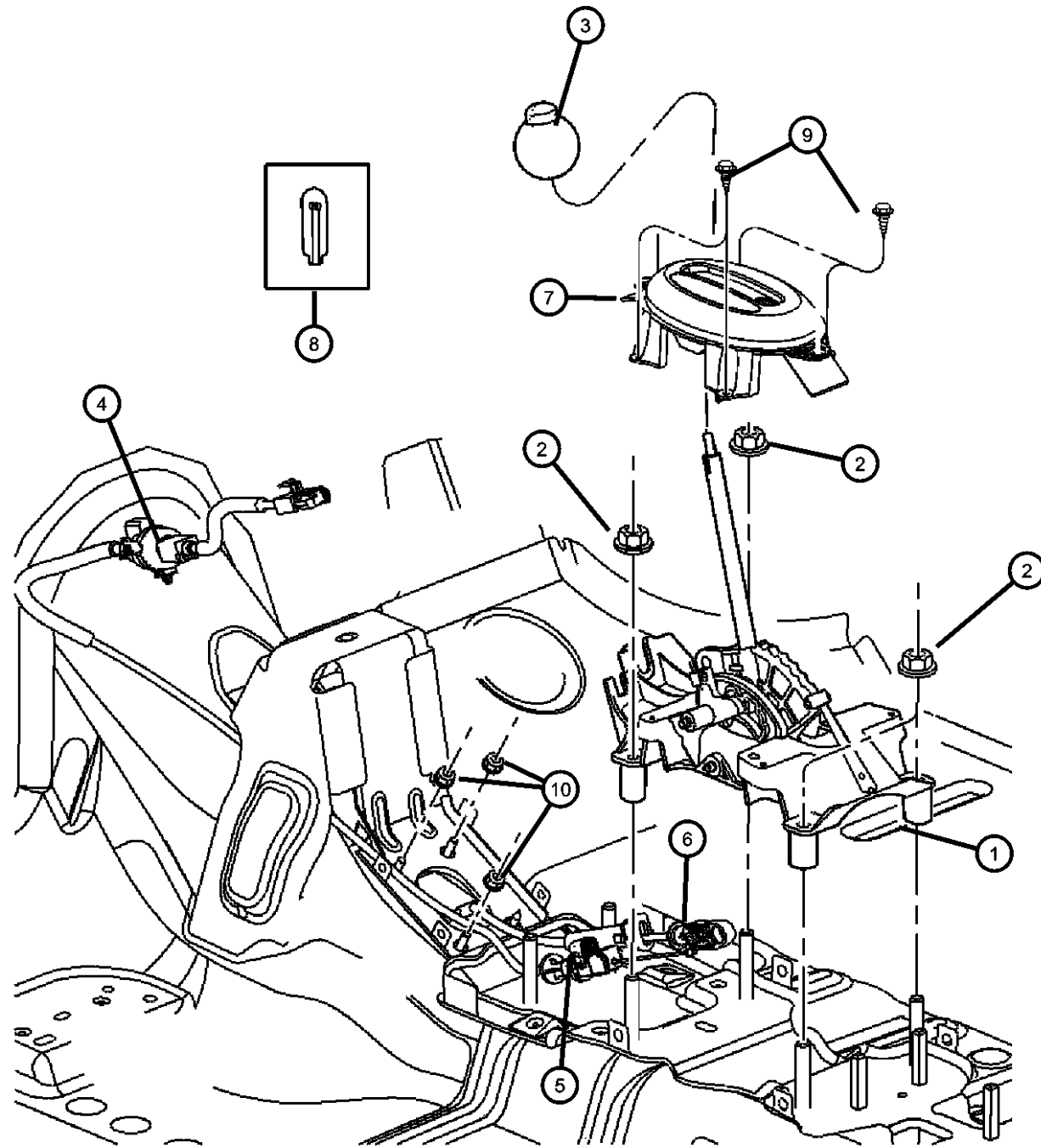
ENGINE
EDJ = 2.2L 4 Cyl Turbo Diesel Engine
EDT = 2.4L 4 Cyl DOHC 16V Turbo Engine
EDV = 2.4L 4 Cyl DOHC 16V HO Turbo Engine
EDZ = 2.4L 4 Cyl DOHC 16V SMPI Engine
EJD = 1.6L 4 Cyl SOHC 16V SMPI

TRANSMISSION
DGL = 4-Speed Automatic Transmission
DD5 = 5-Speed Manual Transmission
DDD = 5-Speed HD Manual Transmission

AR = use ase required - = Non illustrated part

2006 PT

Gearshift Control
Figure 41TE-1220



ITEM	PART NUMBER	QTY	LINE	SERIES	BODY	ENGINE	TRANS	TRIM	DESCRIPTION
------	-------------	-----	------	--------	------	--------	-------	------	-------------

NOTE: PLEASE OBTAIN [PK] NUMBER TO ORDER CORRECT TRANSMISSION ASSEMBLY FOR THE [41TE]. [41TE] TRANSMISSIONS ARE WITH THE [40TE] EVEN IF THEY HAVE THE SAME SALES CODE [DGL].

Sales Codes:

[CEK]=Color Keyed Shift Knob
 [CVZ]=Silver Shift Knob
 [DGL]=4 Speed Automatic Transmission
 [DHD]=Autostick Transmission
 [EDT]=2.4L 4 Cyl. 16 V Turbo Engine
 [EDJ]=2.2 4 Cyl. Turbo Diesel Engine
 [EJD]=1.6L 4 Cyl. SOHC Engine
 [EDV]=2.4L DOHC 16V 4 Cyl. High Output Turbo Engine
 [EDZ]=2.4L DOHC 16V 4 Cyl. Engine
 [JBS]=Color Keyed [PRNDL] Bezel
 [JBV]=Chrome [PRNDL] Bezel
 [JBW]=Satin Silver [PRNDL] Bezel

1	04668870AF	1					DGL		SHIFTER, Transmission
2	06101695	4					DGL		NUT, Hex Flange Lock
3									KNOB, Gearshift
	1BX39BDAAA	1				EDT, EDZ	DGL		With [CEK] & [DA] Order Code
	1BX39DKAAA	1				EDT, EDZ	DGL		With [CEK] & [KA] Order Code
		1				EDT, EDV, EDZ	DGL		With [CVZ]
	1BX44XZ2AA	1				EDT, EDV, EDZ	DGL		With [CVZ] Silver
4	04668592AK	1	C				DGL		CABLE, Ignition Interlock
5	04668630AB	1					DGL		CLIP, Locking
6	05273285AC	1				EDT, EDV	DGL		CABLE, Gearshift Control
7									BEZEL, Console PRNDL
	0TZ25BDAAA	1	C				DGL		With [JBS] & Order Code [DA]
	0TZ25DKAAA	1	C				DGL		With [JBS] & Order Code [KA]
	0WC261Z2AD	1	C				DGL		With [JBW]
	0XA41SZ0AA	1	C				DGL		With [JBV]
8	L0000194	1					DGL		BULB, 194
9	L0000194	1							SCREW, [M5X1.81X15], (NOT SERVICED)
10	06502676	1							NUT, Hex, M6x1.00

PT CRUISER (PT)

SERIES LINE
 H = HIGHLINE C = CHRYSLER
 P = PREMIUM Z = CHRYSLER (RHD)
 S = SPORT
 X = SPECIAL

BODY
 27 = 2-DR CONVERTIBLE
 44 = HATCHBACK/QUAD
 CAB CHASSIS LWB

ENGINE
 EDJ = 2.2L 4 Cyl Turbo Diesel Engine
 EDT = 2.4L 4 Cyl DOHC 16V Turbo Engine
 EDV = 2.4L 4 Cyl DOHC 16V HO Turbo Engine
 EDZ = 2.4L 4 Cyl DOHC 16V SMPI Engine
 EJD = 1.6L 4 Cyl SOHC 16V SMPI

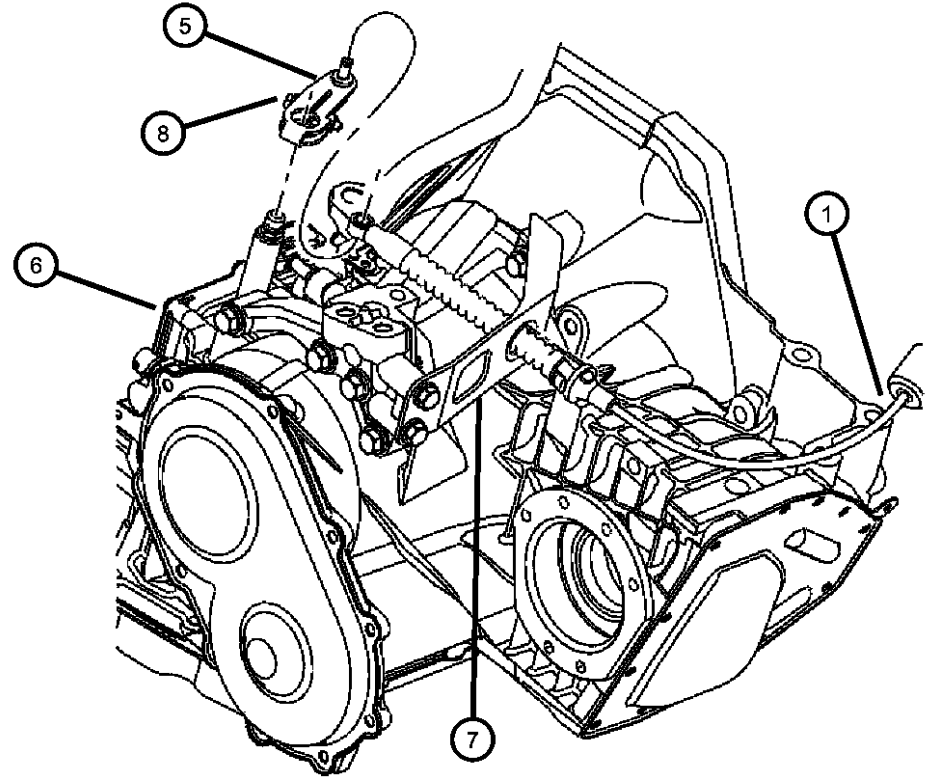
TRANSMISSION
 DGL = 4-Speed Automatic Transmission
 DD5 = 5-Speed Manual Transmission
 DDD = 5-Speed HD Manual Transmission

AR = use ase required - = Non illustrated part

2006 PT

**Shifter Lever & Cable
Figure 41TE-1230**

ITEM	PART NUMBER	QTY	LINE	SERIES	BODY	ENGINE	TRANS	TRIM	DESCRIPTION
------	-------------	-----	------	--------	------	--------	-------	------	-------------



NOTE: PLEASE OBTAIN [PK] NUMBER TO ORDER CORRECT TRANSMISSION ASSEMBLY FOR THE [41TE]. [41TE] TRANSMISSIONS ARE WITH THE [40TE] EVEN IF THEY HAVE THE SAME SALES CODE [DGL].

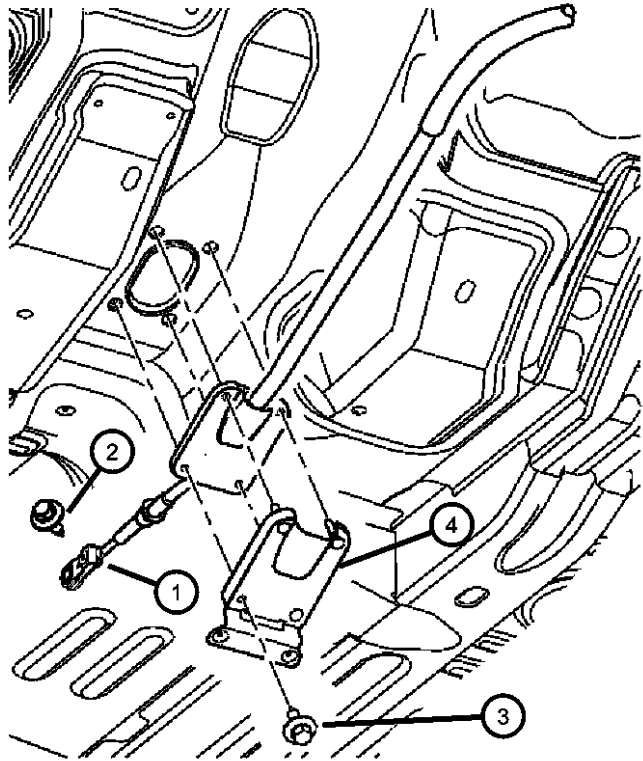
Sales Codes:

[DGL]=4 Speed Automatic Transmission - [41TE]

[EDT]=2.4L DOHC 16V Turbo Engine

[EDV]=2.4L DOHC 16V 4 Cyl. High Output Turbo Engine

1	05273285AC	1				EDT, EDV	DGL		CABLE, Gearshift Control
2	06500776	1				EDT, EDV	DGL		SCREW AND WASHER, Hex Head, M5x.8x14
3	06034716	1							SCREW AND WASHER, Hex Flange Head, .25-14x.875
4	04670042AG	1							PLATE, Transmission Shifter
5	04670322	1					DGL		LEVER, Manual Control
6	04670322	1							TRANSMISSION, 4 Speed, See Illustration 110, (NOT SERVICED)
7	04668629AB	1					DGL		BRACKET, Engine Mount
8	06101978	1					DGL		SCREW AND WASHER, Hex Head, M8-1.25x40



PT CRUISER (PT)

SERIES	LINE
H = HIGHLINE	C = CHRYSLER
P = PREMIUM	Z = CHRYSLER (RHD)
S = SPORT	
X = SPECIAL	

BODY
27 = 2-DR CONVERTIBLE
44 = HATCHBACK/QUAD CAB CHASSIS LWB

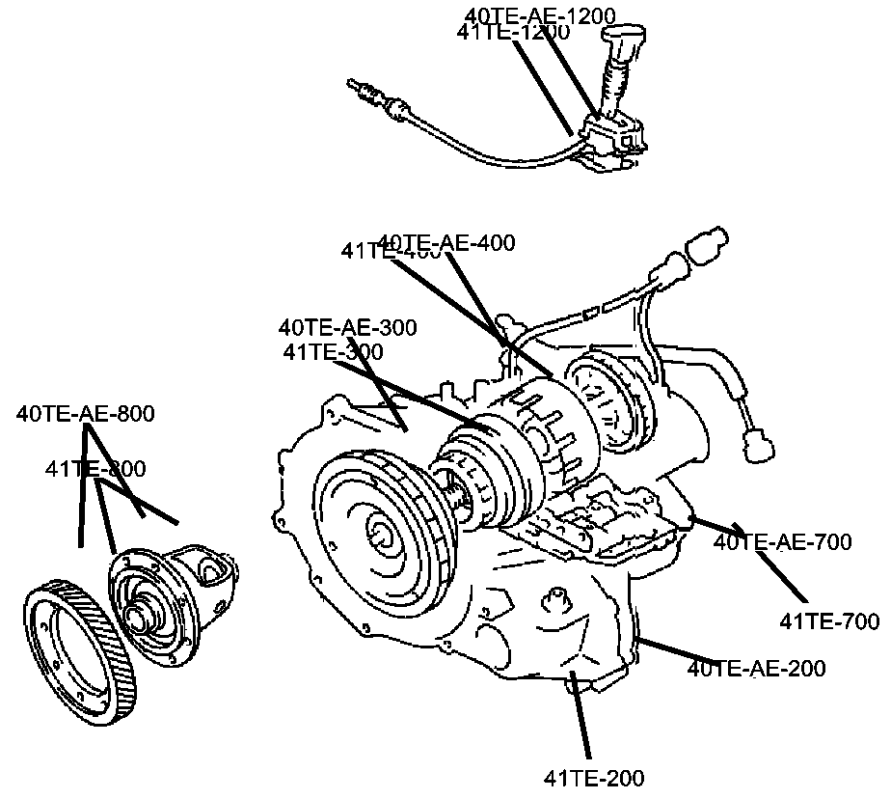
ENGINE	TRANSMISSION
EDJ = 2.2L 4 Cyl Turbo Diesel Engine	DGL = 4-Speed Automatic Transmission
EDT = 2.4L 4 Cyl DOHC 16V Turbo Engine	DD5 = 5-Speed Manual Transmission
EDV = 2.4L 4 Cyl DOHC 16V HO Turbo Engine	DDD = 5-Speed HD Manual Transmission
EDZ = 2.4L 4 Cyl DOHC 16V SMPI Engine	
EJD = 1.6L 4 Cyl SOHC 16V SMPI	

AR = use ase required - = Non illustrated part

2006 PT

Group - 40TE-AE

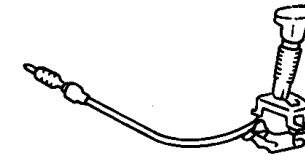
Automatic Transaxle 4 Speed



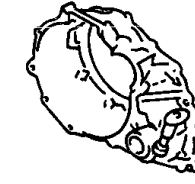
40TE-AE-100
Transaxle Assembly



40TE-AE-1200
Gearshift Controls



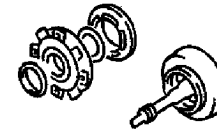
40TE-AE-200
Case and Extension



40TE-AE-300
Oil Pump



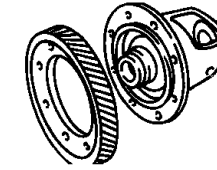
40TE-AE-400
Gear Train



40TE-AE-700
Valve Body



40TE-AE-800
Differential



Group - 40TE-AE Automatic Transaxle 4 Speed

Illustration Title	Group-Fig. No.
Transaxle Assembly	
Transaxle Assemblies	Fig. 40TE-AE - 110
Case and Extension	
Transaxle Mounting & Related Parts	Fig. 40TE-AE - 210
Transaxle Case & Solenoid	Fig. 40TE-AE - 220
Collar, Structural.....	Fig. 40TE-AE - 230
Oil Pump	
Pump, Oil & Reaction Shaft	Fig. 40TE-AE - 310
Gear Train	
Shaft, Transfer.....	Fig. 40TE-AE - 410
Clutch & Input Shaft.....	Fig. 40TE-AE - 420
Gear Train	Fig. 40TE-AE - 430
Valve Body	
Valve Body.....	Fig. 40TE-AE - 710
Accumulator Piston & Spring.....	Fig. 40TE-AE - 720
Parking Sprag	Fig. 40TE-AE - 730
Differential	
Differential	Fig. 40TE-AE - 810
Gearshift Controls	
Gearshift Control	Fig. 40TE-AE - 1210
Gearshift Control	Fig. 40TE-AE - 1220
Shifter Lever & Cable	Fig. 40TE-AE - 1230

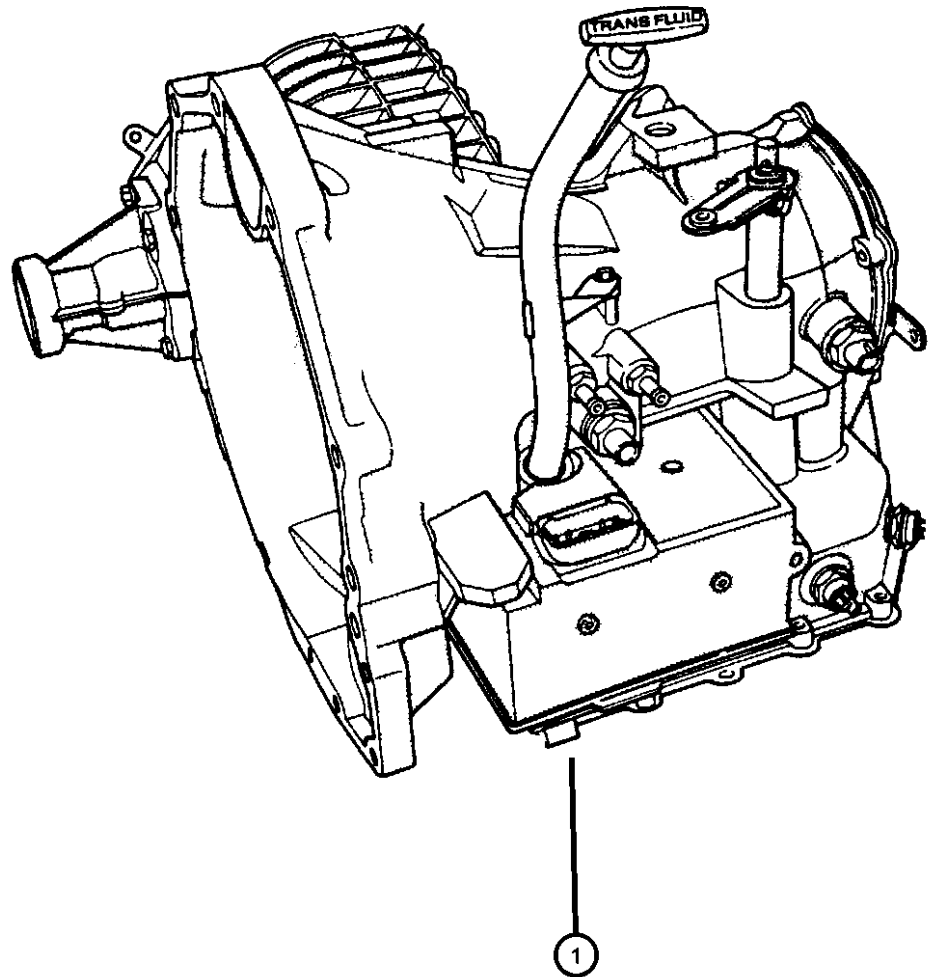
Transaxle Assemblies
Figure 40TE-AE-110

ITEM	PART NUMBER	QTY	LINE	SERIES	BODY	ENGINE	TRANS	TRIM	DESCRIPTION
------	-------------	-----	------	--------	------	--------	-------	------	-------------

NOTE:
PLEASE OBTAIN [PK] NUMBER TO ORDER CORRECT TRANSMISSION ASSEMBLY FOR THE [40TE]. [40TE] TRANSMISSIONS ARE NOT INTERCHANGEABLE WITH THE [41TE] EVEN IF THEY HAVE THE SAME SALES CODE [DGL].

Sales Codes:
[DGL]=4 Speed Automatic Transmission - [40TE]
[EDZ]=2.4L 4 Cyl. 16V DOHC Engine

1	05144312AB	1				EDZ	DGL		TRANSAXLE PACKAGE, WITH TORQUE CONVERTER, With Stamp # [04800312AB]
-2	05018956AB	1				EDZ	DGL		CONVERTER PACKAGE, Torque



PT CRUISER (PT)

SERIES LINE
H = HIGHLINE C = CHRYSLER
P = PREMIUM Z = CHRYSLER (RHD)
S = SPORT
X = SPECIAL

BODY
27 = 2-DR CONVERTIBLE
44 = HATCHBACK/QUAD
CAB CHASSIS LWB

ENGINE TRANSMISSION
EDJ = 2.2L 4 Cyl Turbo Diesel Engine
EDT = 2.4L 4 Cyl DOHC 16V Turbo Engine
EDV = 2.4L 4 Cyl DOHC 16V HO Turbo Engine
EDZ = 2.4L 4 Cyl DOHC 16V SMPI Engine
EJD = 1.6L 4 Cyl SOHC 16V SMPI
DGL = 4-Speed Automatic Transmission
DD5 = 5-Speed Manual Transmission
DDD = 5-Speed HD Manual Transmission

AR = use ase required - = Non illustrated part

2006 PT

**Transaxle Mounting & Related Parts
Figure 40TE-AE-210**

ITEM	PART NUMBER	QTY	LINE	SERIES	BODY	ENGINE	TRANS	TRIM	DESCRIPTION
------	-------------	-----	------	--------	------	--------	-------	------	-------------

NOTE: PLEASE OBTAIN [PK] NUMBER TO ORDER CORRECT PARTS FOR THE [40TE] TRANSMISSION. SOME PARTS ARE NOT INTERCHANGIBLE WITH THE [41TE] EVEN IF THEY HAVE THE SAME SALES CODE [DGL].

Sales Codes:

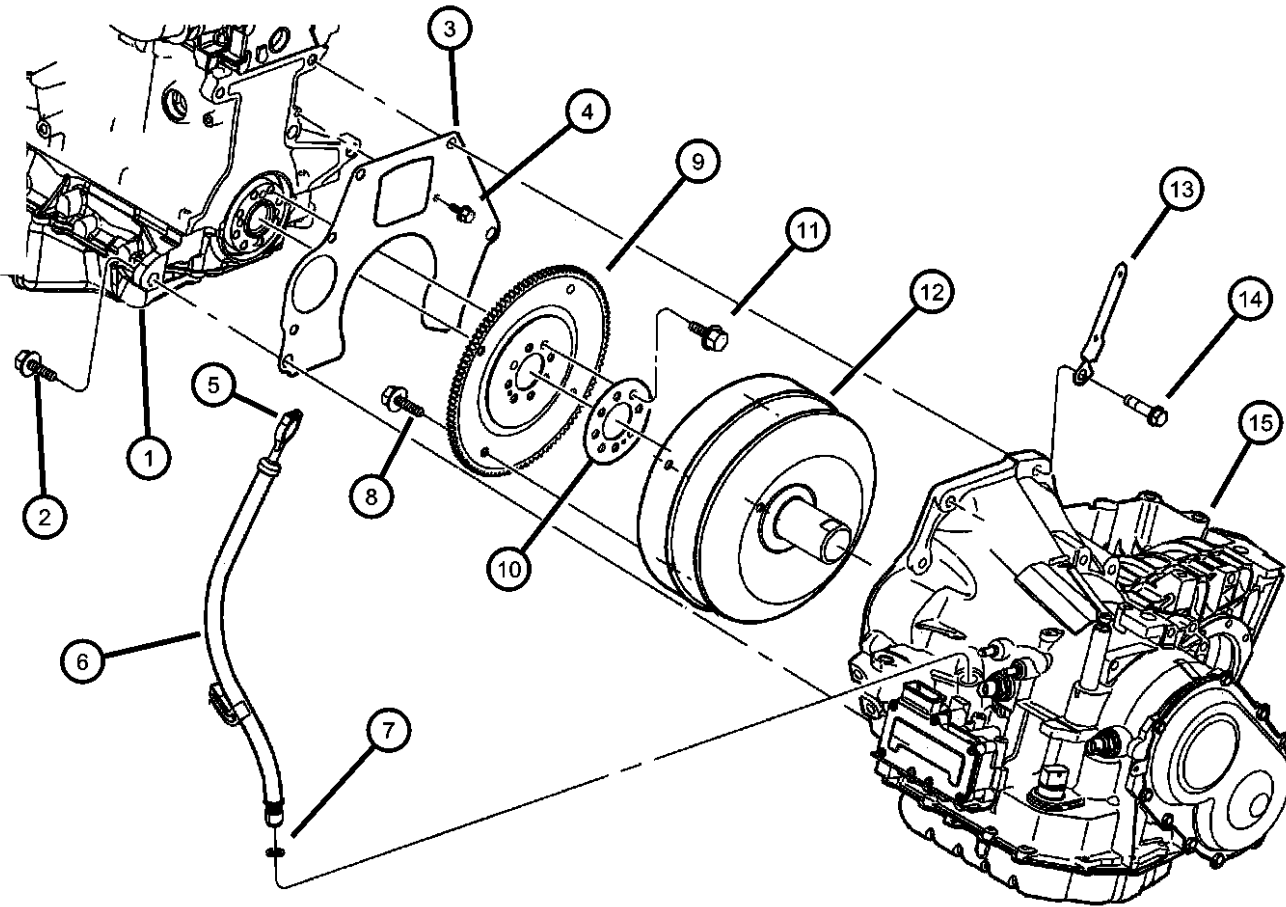
[DGL]=4 Speed Automatic Transmission - [40TE]

[ECC]=2.0L DOHC 16V 4 Cyl. Engine

[EDT]=2.4L DOHC 16V Turbo Engine

[EDV]=2.4L DOHC 16V 4 Cyl. High Output Turbo Engine

[EDZ]=2.4L DOHC 16V 4 Cyl. Engine



1	05018956AB	1							ENGINE, Complete, See Engine Group, (NOT SERVICED)
2	06501742	3					DGL		SCREW, Hex Head, M12x1.75x50
3	04593175	1				EDT, EDV, EDZ	DGL		COVER, Transmission Dust
4	06501755	2							SCREW AND WASHER, Hex Head, M6x1x16
5	04668614AG	1				EDJ, EDZ, EJD	DGL		INDICATOR, Transmission Fluid Level
6	04668613AE	1				EDJ, EDZ, EJD	DGL		TUBE, Transmission Oil Filler
7	06030608	1					DGL		SEAL, Oil Filler Tube
8	06504383	4					DGL		BOLT, Hex Head, M10x1.50 x 13.20
9	04567143	1				EDJ, EDZ, EJD	DGL		PLATE, Drive Plate
10	04471933	1				EDT, EDV, EDZ			PLATE, Drive Plate Backing
11	06503465	8				EDT, EDV, EDZ, EJD			BOLT, Drive Plate and Flywheel
12	05018956AB	1				EDZ	DGL		CONVERTER PACKAGE, Torque
13	04794513AB	1				EDT, EDV, EDZ			CLIP, Wiring
14	06501742	3					DGL		SCREW, Hex Head, M12x1.75x50
15	06501742	3							TRANSAXLE ASSEMBLY, See Illustration 110 In Group 41TE, (NOT SERVICED)

PT CRUISER (PT)

SERIES	LINE
H = HIGHLINE	C = CHRYSLER
P = PREMIUM	Z = CHRYSLER (RHD)
S = SPORT	
X = SPECIAL	

BODY
27 = 2-DR CONVERTIBLE
44 = HATCHBACK/QUAD CAB CHASSIS LWB

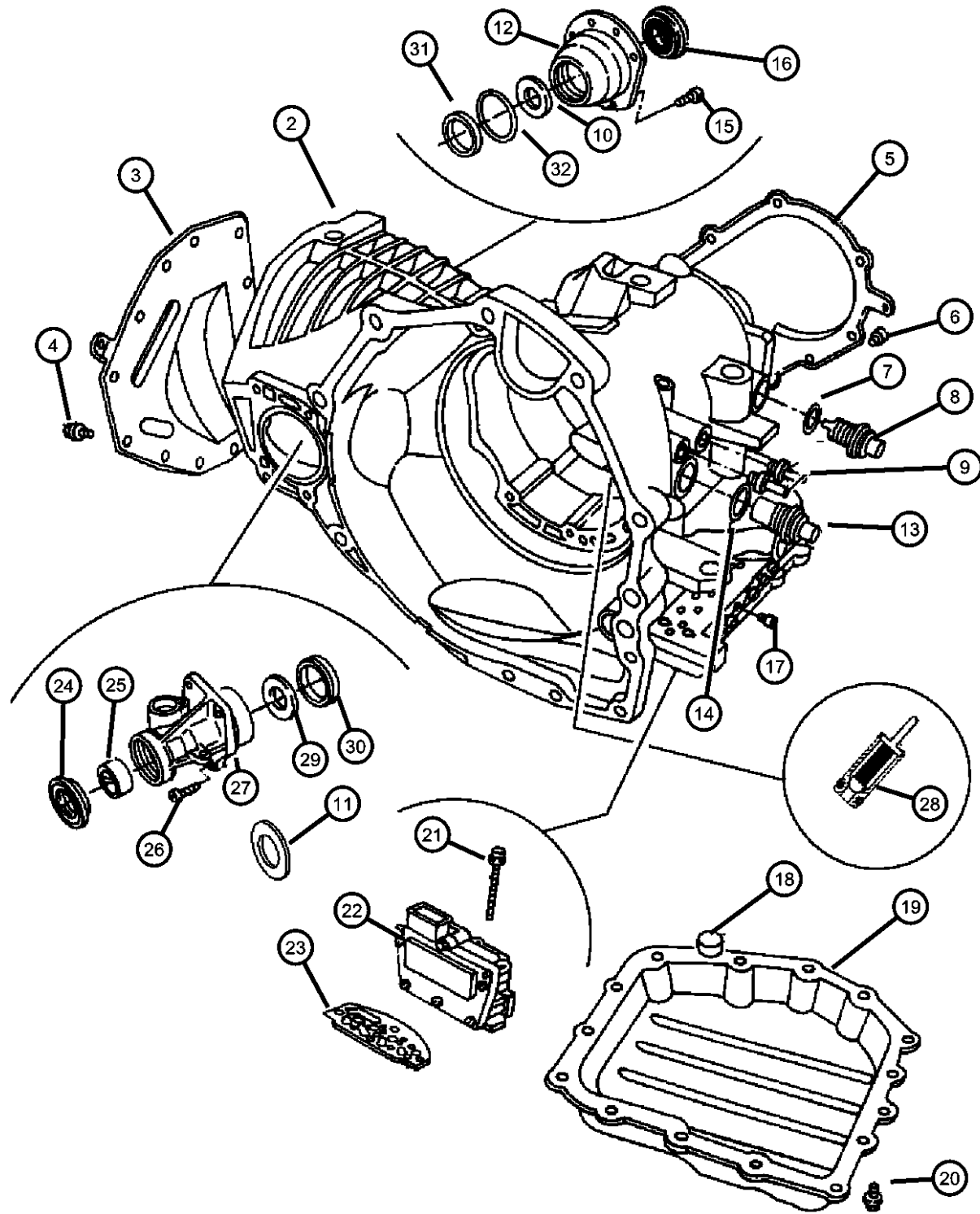
ENGINE
EDJ = 2.2L 4 Cyl Turbo Diesel Engine
EDT = 2.4L 4 Cyl DOHC 16V Turbo Engine
EDV = 2.4L 4 Cyl DOHC 16V HO Turbo Engine
EDZ = 2.4L 4 Cyl DOHC 16V SMPI Engine
EJD = 1.6L 4 Cyl SOHC 16V SMPI

TRANSMISSION
DGL = 4-Speed Automatic Transmission
DD5 = 5-Speed Manual Transmission
DDD = 5-Speed HD Manual Transmission

AR = use ase required - = Non illustrated part

2006 PT

**Transaxle Case & Solenoid
Figure 40TE-AE-220**



ITEM	PART NUMBER	QTY	LINE	SERIES	BODY	ENGINE	TRANS	TRIM	DESCRIPTION
------	-------------	-----	------	--------	------	--------	-------	------	-------------

NOTE: PLEASE OBTAIN [PK] NUMBER TO ORDER CORRECT PARTS FOR THE [40TE] TRANSMISSION. SOME PARTS ARE NOT INTERCHANGIBLE WITH THE [41TE] EVEN IF THEY HAVE THE SAME SALES CODE [DGL].

NOTE: Complete Transmission Overhaul Package Not Available

Sales Codes:

[DGL]=4 Speed Automatic Transmission - [40TE]

[EDZ]=2.4L DOHC 16V 4 Cyl. Engine

-1	05166503AA	1				EDZ	DGL		SEAL AND GASKET PACKAGE, Transmission
2	04883522AE	1				EDZ	DGL		CASE, Transaxle
3	04659520	1				EDZ	DGL		PAN, Transaxle Differential Oil
4	06501474	12				EDZ	DGL		BOLT, Hex Head, M8x1.25x16
5	04659636	1				EDZ	DGL		COVER, Transaxle Rear
6	06501474	10				EDZ	DGL		BOLT, Hex Head, M8x1.25x16
7	06501658AB	1				EDZ	DGL		O RING, Trans Speed Sensor
8	04800879	1				EDZ	DGL		SENSOR, Transmission Output Speed
9	04800267AA	2				EDZ	DGL		CONNECTOR, Oil Cooler Hose
10	04659290	1				EDZ	DGL		DAM, Differential Extension Oil
11	04567494	1				EDZ	DGL		RETAINER, Transmission Extension Oil
12	04659736	1				EDZ	DGL		RETAINER, Differential Bearing
13	04800878	1				EDZ	DGL		SENSOR, Transmission Input Speed
14	06501657AB	1				EDZ	DGL		O RING, Trans Speed Sensor
15	06500511	4				EDZ	DGL		SCREW, Flange Head, M8x1.25x33
16	04412522AB	1				EDZ	DGL		SEAL
17	06036053AA	7				EDZ	DGL		PLUG, Pressure Check
18	04446728	1				EDZ	DGL		MAGNET, Transmission
19	04431997	1				EDZ	DGL		PAN, Transmission Oil
20	06501474	14				EDZ	DGL		BOLT, Hex Head, M8x1.25x16
21	06506194AA	3				EDZ	DGL		SCREW AND WASHER, Hex Head, M6x1x93.5
22	05140429AA	1				EDZ	DGL		SOLENOID PACKAGE, 41TE Transaxle
23	04659982	1				EDZ	DGL		GASKET, Transmission Solenoid
24	04412522AB	1				EDZ	DGL		SEAL

PT CRUISER (PT)

SERIES LINE
H = HIGHLINE C = CHRYSLER
P = PREMIUM Z = CHRYSLER (RHD)
S = SPORT
X = SPECIAL

BODY
27 = 2-DR CONVERTIBLE
44 = HATCHBACK/QUAD CAB CHASSIS LWB

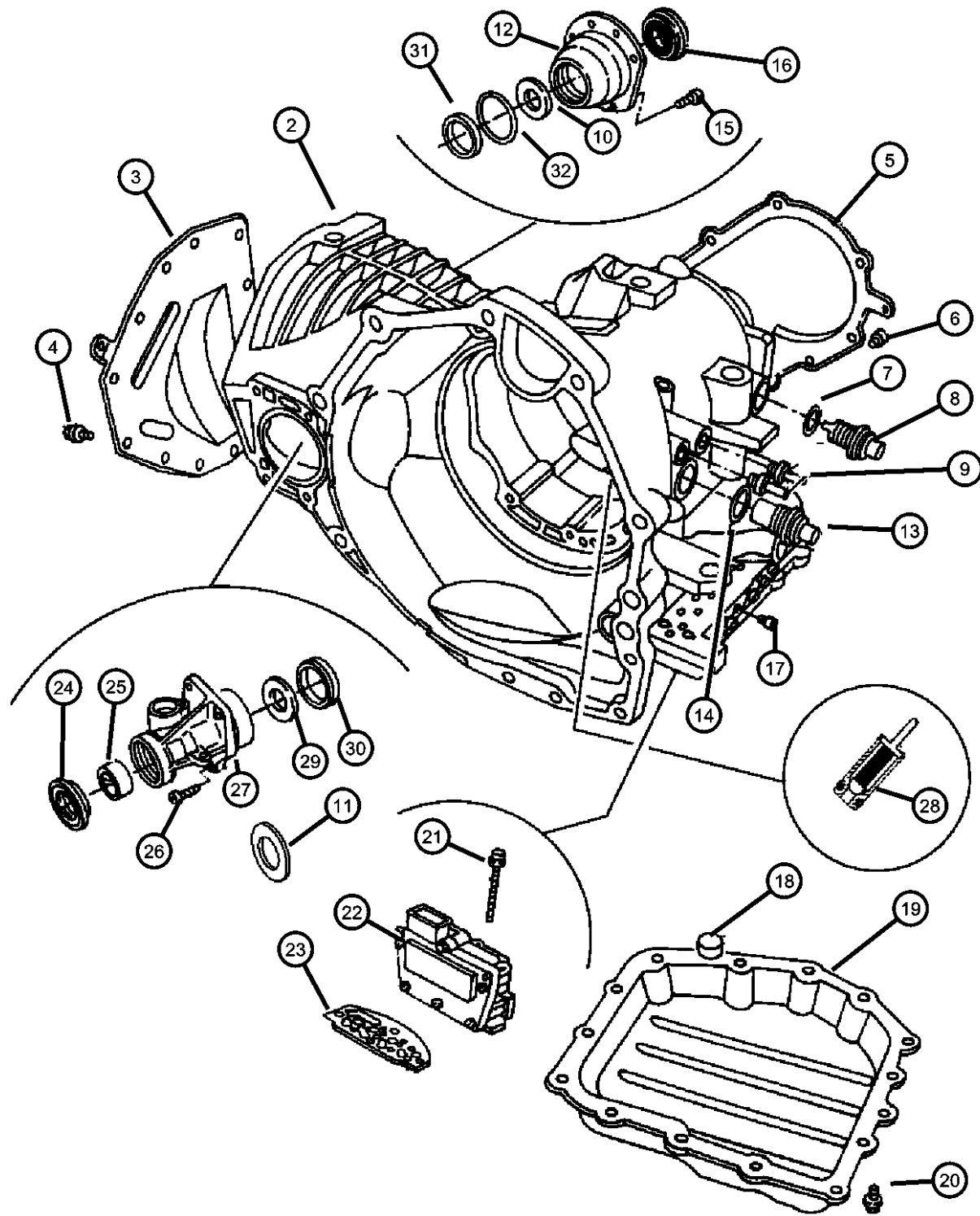
ENGINE
EDJ = 2.2L 4 Cyl Turbo Diesel Engine
EDT = 2.4L 4 Cyl DOHC 16V Turbo Engine
EDV = 2.4L 4 Cyl DOHC 16V HO Turbo Engine
EDZ = 2.4L 4 Cyl DOHC 16V SMPI Engine
EJD = 1.6L 4 Cyl SOHC 16V SMPI

TRANSMISSION
DGL = 4-Speed Automatic Transmission
DD5 = 5-Speed Manual Transmission
DDD = 5-Speed HD Manual Transmission

AR = use ase required - = Non illustrated part

2006 PT

**Transaxle Case & Solenoid
Figure 40TE-AE-220**



ITEM	PART NUMBER	QTY	LINE	SERIES	BODY	ENGINE	TRANS	TRIM	DESCRIPTION
25	04412522AB	1							BUSHING, BUSHING, Trans. Extension (Serviced in Ext.), (NOT SERVICED)
26	06500511	4				EDZ	DGL		SCREW, Flange Head, M8x1.25x33
27	04567506	1				EDZ	DGL		CASE, Transaxle Rear
28	04659946AB	1				EDZ	DGL		VALVE, Cooler Bypass
29	04567494	1				EDZ	DGL		RETAINER, Transmission Extension Oil
30	04567022	1				EDZ	DGL		BEARING CUP, Differential
31	04800230AA	1				EDZ	DGL		CUP, Differential Side
32	04659257	AR				EDZ	DGL		SPACER, Final Drive, 0.98mm
-33	04659258	AR				EDZ	DGL		SPACER, Final Drive, 1.02mm
-34	04659259	AR				EDZ	DGL		SPACER, Final Drive, 1.06mm
-35	04659260	AR				EDZ	DGL		SPACER, Final Drive, 1.10mm
-36	04659261	AR				EDZ	DGL		SPACER, Final Drive, 1.14mm
-37	04659262	AR				EDZ	DGL		SPACER, Final Drive, 1.18mm
-38	04659263	AR				EDZ	DGL		SPACER, Final Drive, 1.22mm
-39	04659264	AR				EDZ	DGL		SPACER, Final Drive, 1.26mm
-40	04659265	AR				EDZ	DGL		SPACER, Final Drive, 1.30mm
-41	04659266	AR				EDZ	DGL		SPACER, Final Drive, 1.34mm
-42	04659267	AR				EDZ	DGL		SPACER, Final Drive, 1.38mm
-43	04659268	AR				EDZ	DGL		SPACER, Final Drive, 1.42mm
-44	04659269	AR				EDZ	DGL		SPACER, Final Drive, 1.46mm
-45	04659270	AR				EDZ	DGL		SPACER, Final Drive, 1.50mm
-46	04659271	AR				EDZ	DGL		SPACER, Final Drive, 1.54mm
-47	04659272	AR				EDZ	DGL		SPACER, Final Drive, 1.58mm
-48	04659273	AR				EDZ	DGL		SPACER, Final Drive, 1.62mm
-49	04659274	AR				EDZ	DGL		SPACER, Final Drive, 1.66mm
-50	04659275	AR				EDZ	DGL		SPACER, Final Drive, 1.70mm
-51	04659283	AR				EDZ	DGL		SPACER, Final Drive, 2.02mm
-52	04659284	AR				EDZ	DGL		SPACER, Final Drive, 2.06mm
-53	06100994	1				EDZ	DGL		DOWEL, M6x16

PT CRUISER (PT)

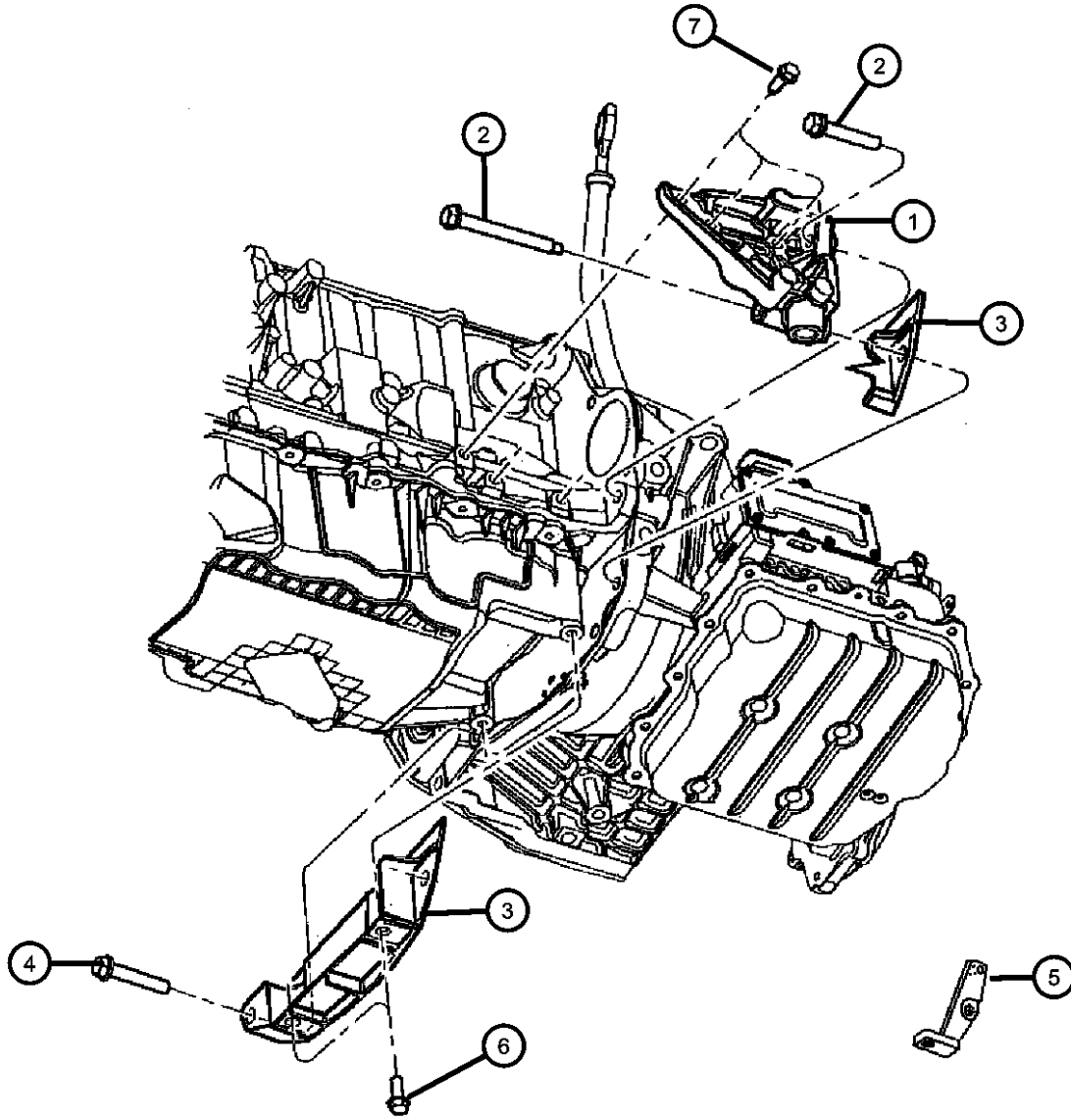
SERIES LINE
H = HIGHLINE C = CHRYSLER
P = PREMIUM Z = CHRYSLER (RHD)
S = SPORT
X = SPECIAL

BODY
27 = 2-DR CONVERTIBLE
44 = HATCHBACK/QUAD
CAB CHASSIS LWB

ENGINE TRANSMISSION
EDJ = 2.2L 4 Cyl Turbo Diesel Engine
EDT = 2.4L 4 Cyl DOHC 16V Turbo Engine
EDV = 2.4L 4 Cyl DOHC 16V HO Turbo Engine
EDZ = 2.4L 4 Cyl DOHC 16V SMPI Engine
EJD = 1.6L 4 Cyl SOHC 16V SMPI
DGL = 4-Speed Automatic Transmission
DD5 = 5-Speed Manual Transmission
DDD = 5-Speed HD Manual Transmission

AR = use ase required - = Non illustrated part

**Collar, Structural
Figure 40TE-AE-230**



ITEM	PART NUMBER	QTY	LINE	SERIES	BODY	ENGINE	TRANS	TRIM	DESCRIPTION
------	-------------	-----	------	--------	------	--------	-------	------	-------------

NOTE: PLEASE OBTAIN [PK] NUMBER TO ORDER CORRECT TRANSMISSION ASSEMBLY FOR THE [40TE]. [40TE] TRANSMISSIONS ARE WITH THE [41TE] EVEN IF THEY HAVE THE SAME SALES CODE [DGL].

Sales Code

[EDV] = 2.4L Inline 4 Cylinder DOHC 16V High Output Turbo

[EDZ] = 2.4L 4 Cylinder DOHC 16V SMPI

1	04891550AA	1				EDT, EDV, DDD, DGL EDZ			STRUT, Engine Mount
2	06502874	1				EDT, EDV, DDD, DGL EDZ			BOLT, Hex Head, M12x1.75x120
3	04891641AA	1				EDT, EDV, DDD, DGL EDZ			COLLAR, Structural, Oil Pan To Transmission
4	06101962	1				EDT, EDV, EDZ			BOLT, Hex Flange Head
5	06101962	1							BRACKET, Production Only, (NOT REQUIRED)
6	06506019AA	3				EDT, EDV, DDD, DGL EDZ			BOLT AND WASHER, Hex Head, M10x1.5x30
7	06506019AA	3				EDT, EDV, DDD, DGL EDZ			BOLT AND WASHER, Hex Head, M10x1.5x30

PT CRUISER (PT)

SERIES	LINE
H = HIGHLINE	C = CHRYSLER
P = PREMIUM	Z = CHRYSLER (RHD)
S = SPORT	
X = SPECIAL	

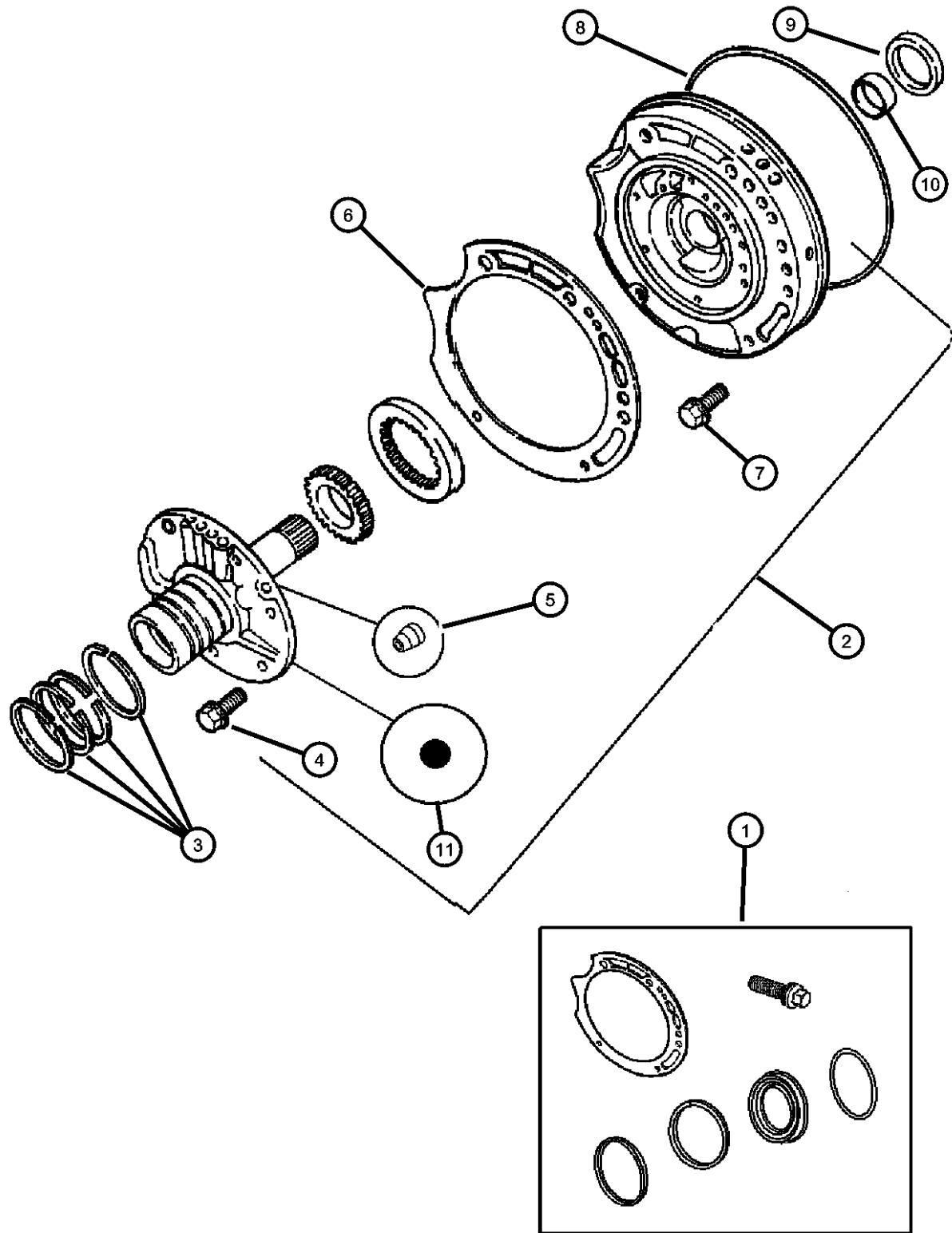
BODY
27 = 2-DR CONVERTIBLE
44 = HATCHBACK/QUAD CAB CHASSIS LWB

ENGINE	TRANSMISSION
EDJ = 2.2L 4 Cyl Turbo Diesel Engine	DGL = 4-Speed Automatic Transmission
EDT = 2.4L 4 Cyl DOHC 16V Turbo Engine	DD5 = 5-Speed Manual Transmission
EDV = 2.4L 4 Cyl DOHC 16V HO Turbo Engine	DDD = 5-Speed HD Manual Transmission
EDZ = 2.4L 4 Cyl DOHC 16V SMPI Engine	
EJD = 1.6L 4 Cyl SOHC 16V SMPI	

AR = use ase required - = Non illustrated part

2006 PT

**Pump, Oil & Reaction Shaft
Figure 40TE-AE-310**



ITEM	PART NUMBER	QTY	LINE	SERIES	BODY	ENGINE	TRANS	TRIM	DESCRIPTION
------	-------------	-----	------	--------	------	--------	-------	------	-------------

NOTE: PLEASE OBTAIN [PK] NUMBER TO ORDER CORRECT PARTS FOR THE [40TE] TRANSMISSION. SOME PARTS ARE NOT INTERCHANGIBLE WITH THE [41TE] EVEN IF THEY HAVE THE SAME SALES CODE [DGL].

Sales Codes:

[DGL]=4 Speed Automatic Transmission - [40TE]

[EDZ]=2.4L 4 Cyl. 16V DOHC Engine

1	04883260AB	1				EDZ	DGL		SEAL AND GASKET PACKAGE, Transmission Oil Pump
2	05127197AA	1				EDZ	DGL		PUMP, Transmission Oil
3	04471874	4				EDZ	DGL		SEAL, Ring Reaction Support, 2 1/16 O.D.
4	06500211	6				EDZ	DGL		BOLT, Hex Head, M8x1.25x19
5	52118261	1				EDZ	DGL		BALL, Check
6	04412844	1				EDZ	DGL		GASKET, Transmission Oil Pump
7	06506408AA	5				EDZ	DGL		SCREW AND WASHER, Hex Flange Head, M8x1.25x25
8	04659945	1				EDZ	DGL		SEAL, Oil Pump
9	04659515	1				EDZ	DGL		BUSHING, Front Pump
10	04412475	1				EDZ	DGL		SEAL, Impeller Hub, 57.25mm OD
11	00152127	1				EDZ	DGL		BALL, Transmission Oil Pump

PT CRUISER (PT)

SERIES	LINE
H = HIGHLINE	C = CHRYSLER
P = PREMIUM	Z = CHRYSLER (RHD)
S = SPORT	
X = SPECIAL	

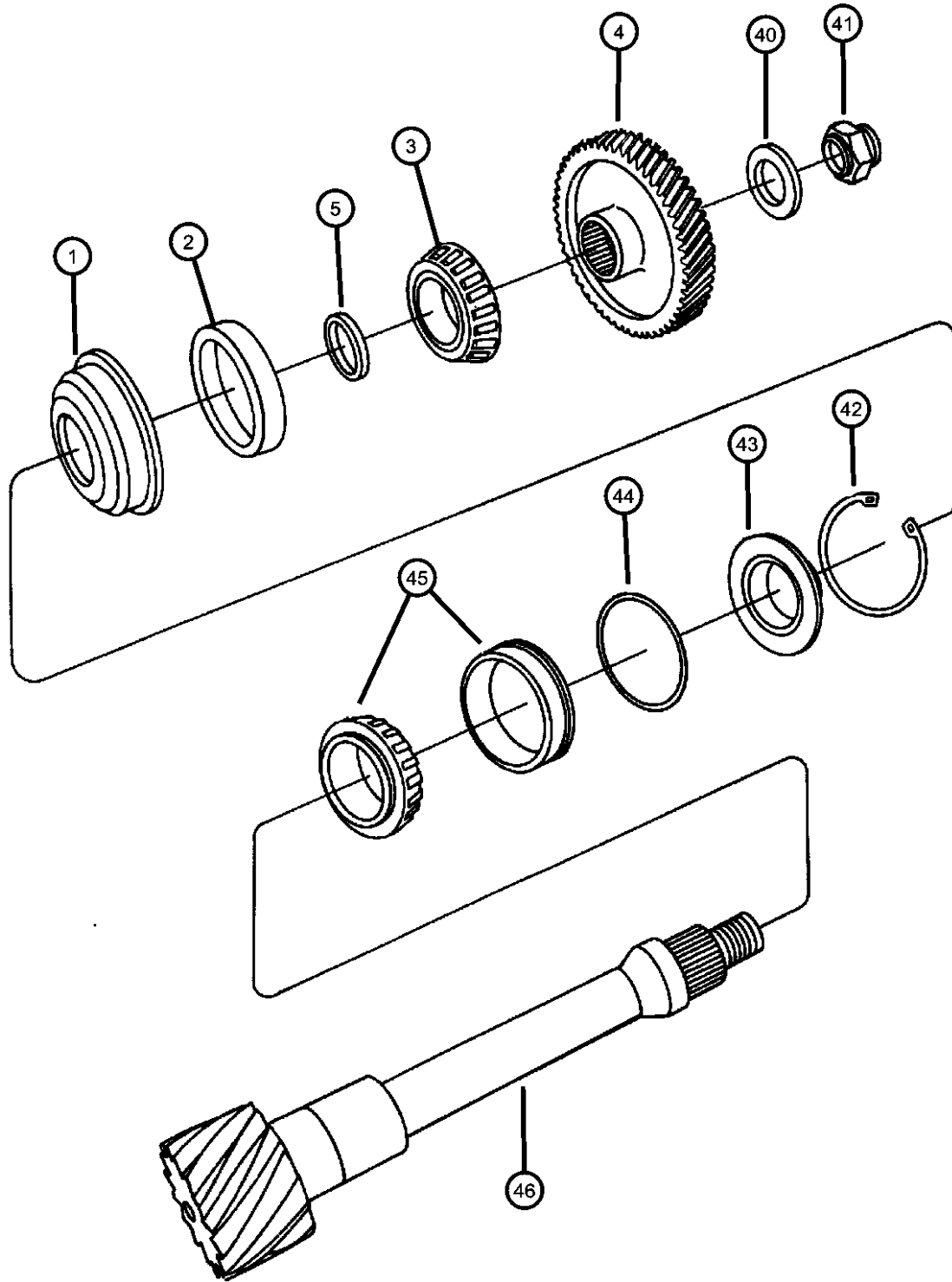
BODY
27 = 2-DR CONVERTIBLE
44 = HATCHBACK/QUAD CAB CHASSIS LWB

ENGINE	TRANSMISSION
EDJ = 2.2L 4 Cyl Turbo Diesel Engine	DGL = 4-Speed Automatic Transmission
EDT = 2.4L 4 Cyl DOHC 16V Turbo Engine	DD5 = 5-Speed Manual Transmission
EDV = 2.4L 4 Cyl DOHC 16V HO Turbo Engine	DDD = 5-Speed HD Manual Transmission
EDZ = 2.4L 4 Cyl DOHC 16V SMPI Engine	
EJD = 1.6L 4 Cyl SOHC 16V SMPI	

AR = use ase required - = Non illustrated part

2006 PT

**Shaft, Transfer
Figure 40TE-AE-410**



ITEM	PART NUMBER	QTY	LINE	SERIES	BODY	ENGINE	TRANS	TRIM	DESCRIPTION
------	-------------	-----	------	--------	------	--------	-------	------	-------------

NOTE: PLEASE OBTAIN [PK] NUMBER TO ORDER CORRECT PARTS FOR THE [40TE] TRANSMISSION. SOME PARTS ARE NOT INTERCHANGIBLE WITH THE [41TE] EVEN IF THEY HAVE THE SAME SALES CODE [DGL].

Sales Codes:
[DGL]=4 Speed Automatic Transmission - [40TE]
[EDZ]=2.4L 4 Cyl. 16V DOHC Engine

1	04412273	1				EDZ	DGL		RETAINER, Transfer Gear Bearing
2	04504041	1				EDZ	DGL		BEARING CUP, Transfer Gear
3	04446698AB	1				EDZ	DGL		BEARING CONE, Transfer Shaft
4	04713444AD	1				EDZ	DGL		GEAR PACKAGE, Output And Transfer Shaft
5									SPACER, Output/Transfer Shaft
	04412801AB	1				EDZ	DGL		[3.26MM]
	04412802AB	1				EDZ	DGL		[3.30MM]
	04412803AB	1				EDZ	DGL		[3.34MM]
	04412804AB	1				EDZ	DGL		[3.38MM]
	04412806AB	1				EDZ	DGL		[3.46MM]
	04412807AB	1				EDZ	DGL		[3.50MM]
	04412808AB	1				EDZ	DGL		[3.54MM]
	04412809AB	1				EDZ	DGL		[3.58MM]
	04412810AB	1				EDZ	DGL		[3.62MM]
	04412811AB	1				EDZ	DGL		[3.66MM]
	04412812AB	1				EDZ	DGL		[3.70MM]
	04412813AB	1				EDZ	DGL		[3.74MM]
	04412814AB	1				EDZ	DGL		[3.78MM]
	04412815AB	1				EDZ	DGL		[3.82MM]
	04412816AB	1				EDZ	DGL		[3.86MM]
	04412817AB	1				EDZ	DGL		[3.90MM]
	04412818AB	1				EDZ	DGL		[3.94MM]
	04412819AB	1				EDZ	DGL		[3.98MM]
	04412820AB	1				EDZ	DGL		[4.02MM]
	04412821AB	1				EDZ	DGL		[4.06MM]
	04412822AB	1				EDZ	DGL		[4.10MM]
	04412823AB	1				EDZ	DGL		[4.14MM]

PT CRUISER (PT)

SERIES LINE
H = HIGHLINE C = CHRYSLER
P = PREMIUM Z = CHRYSLER (RHD)
S = SPORT
X = SPECIAL

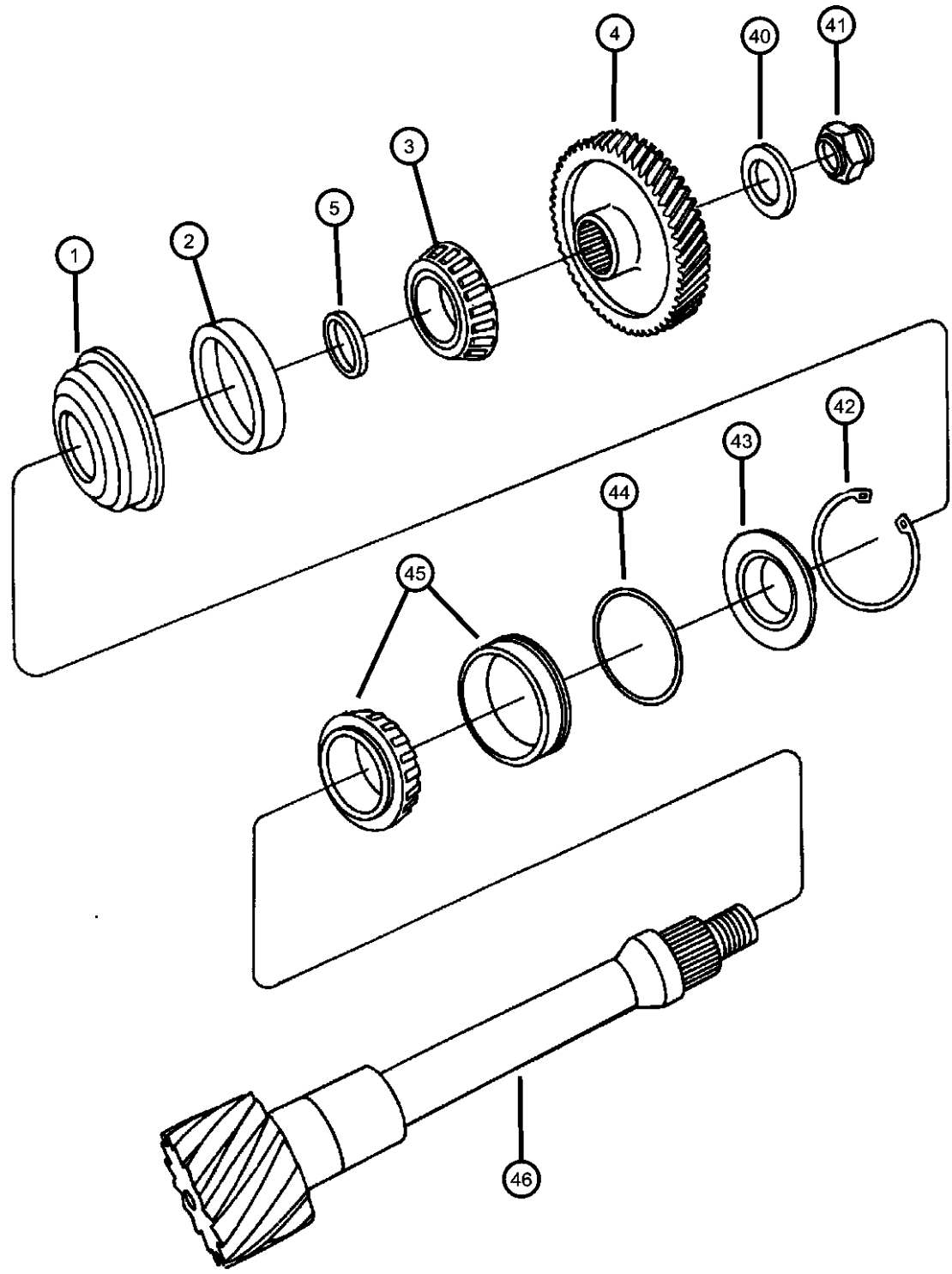
BODY
27 = 2-DR CONVERTIBLE
44 = HATCHBACK/QUAD
CAB CHASSIS LWB

ENGINE TRANSMISSION
EDJ = 2.2L 4 Cyl Turbo Diesel Engine
EDT = 2.4L 4 Cyl DOHC 16V Turbo Engine
EDV = 2.4L 4 Cyl DOHC 16V HO Turbo Engine
EDZ = 2.4L 4 Cyl DOHC 16V SMPI Engine
EJD = 1.6L 4 Cyl SOHC 16V SMPI
DGL = 4-Speed Automatic Transmission
DD5 = 5-Speed Manual Transmission
DDD = 5-Speed HD Manual Transmission

AR = use ase required - = Non illustrated part

2006 PT

Shaft, Transfer
Figure 40TE-AE-410



ITEM	PART NUMBER	QTY	LINE	SERIES	BODY	ENGINE	TRANS	TRIM	DESCRIPTION
	04412824AB	1				EDZ	DGL		[4.18MM]
	04412825AB	1				EDZ	DGL		[4.22MM]
	04412826AB	1				EDZ	DGL		[4.26MM]
	04412827AB	1				EDZ	DGL		[4.30MM]
	04412828AB	1				EDZ	DGL		[4.34MM]
	04412829AB	1				EDZ	DGL		[4.38MM]
	04412831AB	1				EDZ	DGL		[4.46MM]
	04412832AB	1				EDZ	DGL		[4.50MM]
	04412833AB	1				EDZ	DGL		[4.54MM]
	04505570AB	1				EDZ	DGL		[3.22MM]
	04505588AB	1				EDZ	DGL		[4.66MM]
6	06501833	1				EDZ	DGL		WASHER, Coned, M22.6x45x3.42
7	06507156AA	1				EDZ	DGL		LOCK NUT, M22x1.50
8	06501936	1				EDZ	DGL		SNAP RING
9	04471869	1				EDZ	DGL		BAFFLE, Transfer Shaft
10	06501768	1				EDZ	DGL		O RING, Transfer Shaft Bearing Retainer, ATX
11	04856911	1				EDZ	DGL		BEARING PACKAGE, Transfer Shaft
12	04531976AB	1				EDZ	DGL		SHAFT, Transfer Gear

PT CRUISER (PT)

SERIES LINE
H = HIGHLINE C = CHRYSLER
P = PREMIUM Z = CHRYSLER (RHD)
S = SPORT
X = SPECIAL

BODY
27 = 2-DR CONVERTIBLE
44 = HATCHBACK/QUAD
CAB CHASSIS LWB

ENGINE
EDJ = 2.2L 4 Cyl Turbo Diesel Engine
EDT = 2.4L 4 Cyl DOHC 16V Turbo Engine
EDV = 2.4L 4 Cyl DOHC 16V HO Turbo Engine
EDZ = 2.4L 4 Cyl DOHC 16V SMPI Engine
EJD = 1.6L 4 Cyl SOHC 16V SMPI

TRANSMISSION
DGL = 4-Speed Automatic Transmission
DD5 = 5-Speed Manual Transmission
DDD = 5-Speed HD Manual Transmission

AR = use ase required - = Non illustrated part

2006 PT

**Clutch & Input Shaft
Figure 40TE-AE-420**

ITEM	PART NUMBER	QTY	LINE	SERIES	BODY	ENGINE	TRANS	TRIM	DESCRIPTION
------	-------------	-----	------	--------	------	--------	-------	------	-------------

NOTE: PLEASE OBTAIN [PK] NUMBER TO ORDER CORRECT PARTS FOR THE [40TE] TRANSMISSION. SOME PARTS ARE NOT INTERCHANGIBLE WITH THE [41TE] EVEN IF THEY HAVE THE SAME SALES CODE [DGL].

Sales Codes:

[DGL]=4 Speed Automatic Transmission - [40TE]

[EDZ]=2.4L 4 Cyl. 16V DOHC Engine

-1	04883240AB	1				EDZ	DGL		SEAL AND GASKET PACKAGE, Transmission Front Clutch
2	04883013AB	1				EDZ	DGL		PLATE PACKAGE, Underdrive Reaction, 5.72/5.82
-3	04883014AB	1				EDZ	DGL		PLATE PACKAGE, Underdrive Reaction, 6.21/6.31
-4	04883015AB	1				EDZ	DGL		PLATE PACKAGE, Underdrive Reaction, 6.70/6.80
5	04659934	1				EDZ	DGL		SNAP RING, Underdrive Clutch, Tapered
6	04800082AA	1				EDZ	DGL		THRUST BEARING
7	04864936AC	1				EDZ	DGL		HUB AND SHAFT PACKAGE, Underdrive Clutch
8	05018923AA	1				EDZ	DGL		PLATE AND WASHER PACKAGE, Thrust
9	04505621	1				EDZ	DGL		SNAP RING
10	04531678	4				EDZ	DGL		DISC, Clutch
11	04659053	1				EDZ	DGL		PLATE, Transmission O/Drive Clutch
12	04800233AA	1				EDZ	DGL		PLATE, Transmission O/Drive Clutch
13	04505622	1				EDZ	DGL		SNAP RING
14	04531678	4				EDZ	DGL		DISC, Clutch
15	04659053	1				EDZ	DGL		PLATE, Transmission O/Drive Clutch
16	04377194	1				EDZ	DGL		PLATE, Transmission Clutch Reaction
17	04377195	1				EDZ	DGL		SNAP RING
-18	04412871	1				EDZ	DGL		SNAP RING, Reverse Clutch, 1.77-1.83mm
-19	04412872	1				EDZ	DGL		SNAP RING, Reverse Clutch, 2.02-2.07mm
-20	04412873	1				EDZ	DGL		SNAP RING, Reverse Clutch, 2.27-2.32mm
21	05018923AA	1				EDZ	DGL		PLATE AND WASHER PACKAGE, Thrust

PT CRUISER (PT)

SERIES LINE
H = HIGHLINE C = CHRYSLER
P = PREMIUM Z = CHRYSLER (RHD)
S = SPORT
X = SPECIAL

BODY
27 = 2-DR CONVERTIBLE
44 = HATCHBACK/QUAD CAB CHASSIS LWB

ENGINE TRANSMISSION
EDJ = 2.2L 4 Cyl Turbo Diesel Engine
EDT = 2.4L 4 Cyl DOHC 16V Turbo Engine
EDV = 2.4L 4 Cyl DOHC 16V HO Turbo Engine
EDZ = 2.4L 4 Cyl DOHC 16V SMPI Engine
EJD = 1.6L 4 Cyl SOHC 16V SMPI
DGL = 4-Speed Automatic Transmission
DD5 = 5-Speed Manual Transmission
DDD = 5-Speed HD Manual Transmission

AR = use ase required - = Non illustrated part

2006 PT

Clutch & Input Shaft
Figure 40TE-AE-420

ITEM	PART NUMBER	QTY	LINE	SERIES	BODY	ENGINE	TRANS	TRIM	DESCRIPTION
22	04659993	1				EDZ	DGL		HUB AND SHAFT, Overdrive Clutch
23									PLATE, Transmission O/Drive Clutch
	03836237AB	AR				EDZ	DGL		[1.70/1.77MM]
	03836238AB	AR				EDZ	DGL		[1.92/1.99MM]
	03836239AB	AR				EDZ	DGL		[2.14/2.21MM]
	03836240AB	AR				EDZ	DGL		[2.36/2.43MM]
	03836241AB	AR				EDZ	DGL		[2.58/2.65MM]
	04431665AB	AR				EDZ	DGL		[1.59/1.66MM]
	04431666AB	AR				EDZ	DGL		[1.81/1.88MM]
	04431667AB	AR				EDZ	DGL		[2.03/2.10MM]
	04431668AB	AR				EDZ	DGL		[2.25/2.32MM]
	04431669AB	AR				EDZ	DGL		[2.47/2.54MM]
	04446670AB	AR				EDZ	DGL		[2.69/2.76MM]
	04446671AB	AR				EDZ	DGL		[2.91/2.98MM]
24	04659980	1				EDZ	DGL		SNAP RING, Underdrive Clutch, Flat
25	04531678	4				EDZ	DGL		DISC, Clutch
26	04659053	1				EDZ	DGL		PLATE, Transmission O/Drive Clutch
27	06501715	1				EDZ	DGL		SNAP RING
28	04431612	1				EDZ	DGL		RETAINER AND SEAL, Transmission U/Drive Spring
29	04377177	1				EDZ	DGL		SPRING, Drive Lower Case
30	04800231AA	1				EDZ	DGL		PISTON, Underdrive
31	06507226AA	1				EDZ	DGL		SNAP RING
32	04659871	1				EDZ	DGL		SEAL, Piston Outer, 140mm OD
33	04659935	1				EDZ	DGL		RETAINER, Transmission Input Clutch
34	04446543	3				EDZ	DGL		SEAL, Input Shaft
35	04412209	1				EDZ	DGL		THRUST BEARING
36	04549223AB	1				EDZ	DGL		INPUT SHAFT PACKAGE, Transaxle
37	05017518AB	1				EDZ	DGL		HUB PACKAGE, Input Clutch

PT CRUISER (PT)

SERIES LINE
H = HIGHLINE C = CHRYSLER
P = PREMIUM Z = CHRYSLER (RHD)
S = SPORT
X = SPECIAL

BODY
27 = 2-DR CONVERTIBLE
44 = HATCHBACK/QUAD
CAB CHASSIS LWB

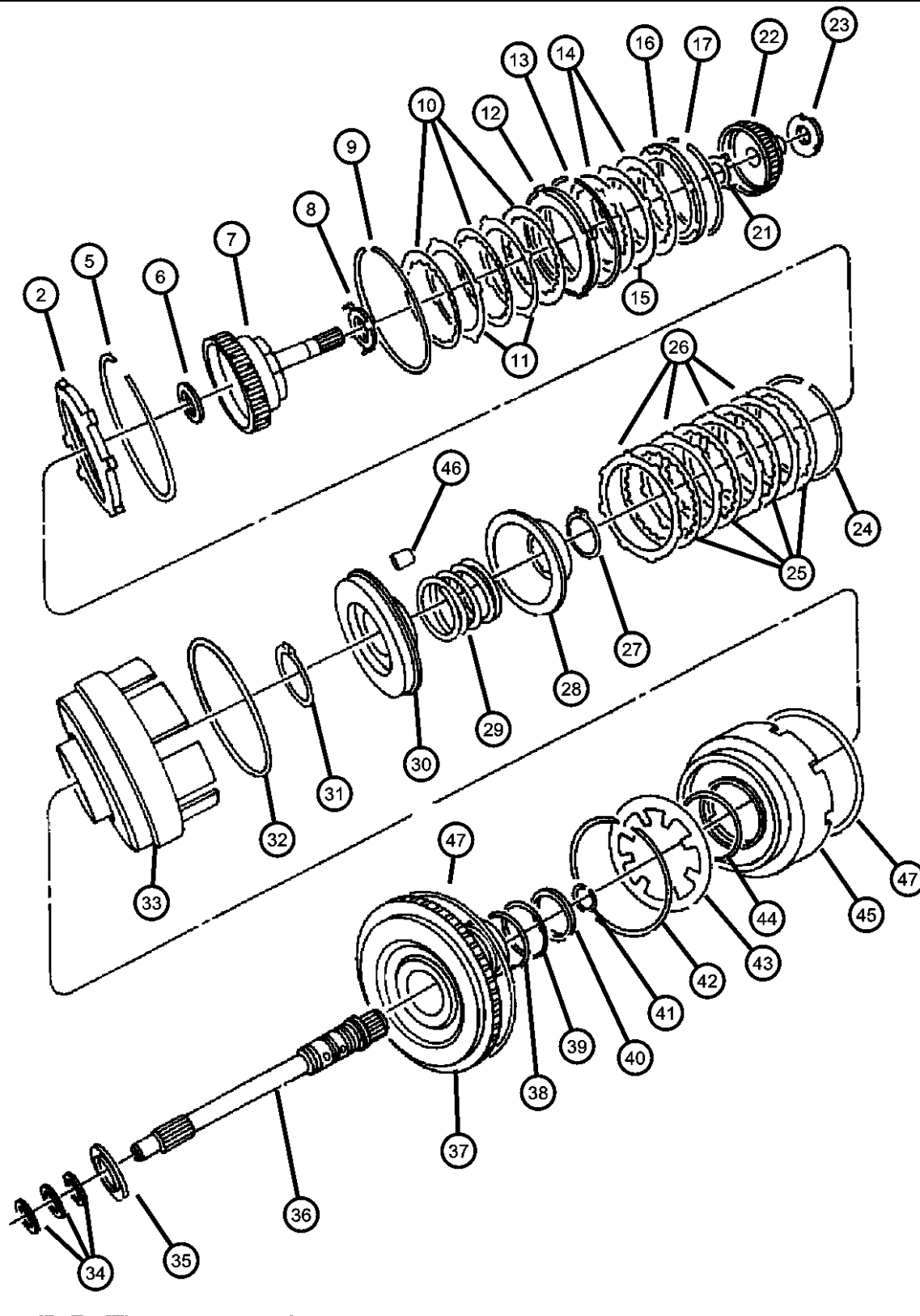
ENGINE TRANSMISSION
EDJ = 2.2L 4 Cyl Turbo Diesel Engine
EDT = 2.4L 4 Cyl DOHC 16V Turbo Engine
EDV = 2.4L 4 Cyl DOHC 16V HO Turbo Engine
EDZ = 2.4L 4 Cyl DOHC 16V SMPI Engine
EJD = 1.6L 4 Cyl SOHC 16V SMPI
DGL = 4-Speed Automatic Transmission
DD5 = 5-Speed Manual Transmission
DDD = 5-Speed HD Manual Transmission

AR = use ase required - = Non illustrated part

2006 PT

Clutch & Input Shaft
Figure 40TE-AE-420

ITEM	PART NUMBER	QTY	LINE	SERIES	BODY	ENGINE	TRANS	TRIM	DESCRIPTION
38	06502271	1				EDZ	DGL		O RING, Transmission Clutch
39	06502269	2				EDZ	DGL		O RING, Transmission Clutch
40	04659391AB	1				EDZ	DGL		SEAL, Under Drive
41	06501702	1				EDZ	DGL		SNAP RING
42	04412203	1				EDZ	DGL		SNAP RING
43	04412202	1				EDZ	DGL		SPRING, Overdrive Piston
44	06033158	1				EDZ	DGL		O RING, Reverse & O/Drive Clutch Piston, Transmission
45	05017518AB	1				EDZ	DGL		HUB PACKAGE, Input Clutch
46	04531903	1				EDZ	DGL		FILTER, Reverse And O/D Clutch
47	04659056	1				EDZ	DGL		SEAL, Reverse Servo Piston



PT CRUISER (PT)

SERIES LINE
H = HIGHLINE C = CHRYSLER
P = PREMIUM Z = CHRYSLER (RHD)
S = SPORT
X = SPECIAL

BODY
27 = 2-DR CONVERTIBLE
44 = HATCHBACK/QUAD
CAB CHASSIS LWB

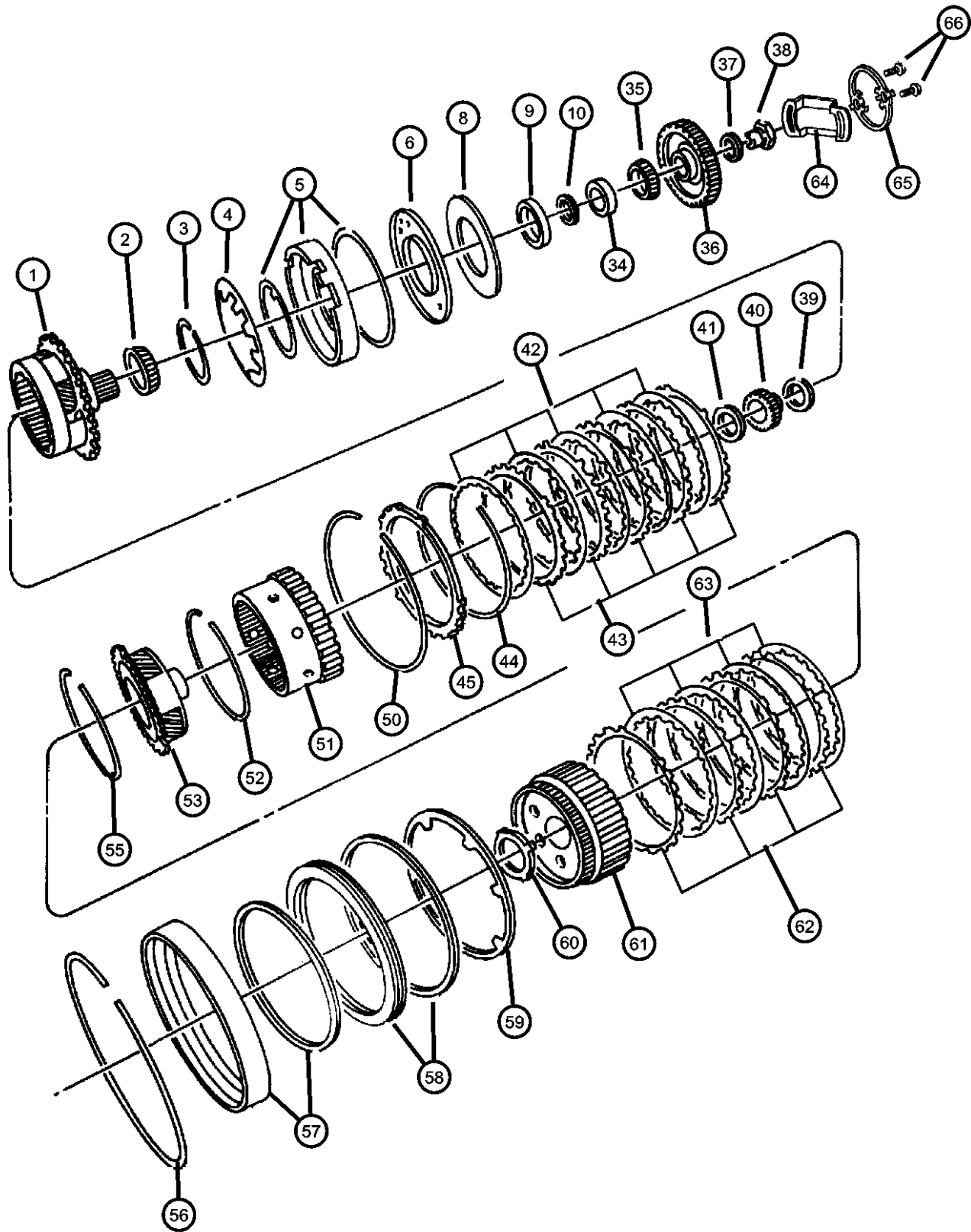
ENGINE
EDJ = 2.2L 4 Cyl Turbo Diesel Engine
EDT = 2.4L 4 Cyl DOHC 16V Turbo Engine
EDV = 2.4L 4 Cyl DOHC 16V HO Turbo Engine
EDZ = 2.4L 4 Cyl DOHC 16V SMPI Engine
EJD = 1.6L 4 Cyl SOHC 16V SMPI

TRANSMISSION
DGL = 4-Speed Automatic Transmission
DD5 = 5-Speed Manual Transmission
DDD = 5-Speed HD Manual Transmission

AR = use ase required - = Non illustrated part

2006 PT

Gear Train
Figure 40TE-AE-430



ITEM	PART NUMBER	QTY	LINE	SERIES	BODY	ENGINE	TRANS	TRIM	DESCRIPTION
------	-------------	-----	------	--------	------	--------	-------	------	-------------

NOTE: PLEASE OBTAIN [PK] NUMBER TO ORDER CORRECT PARTS FOR THE [40TE] TRANSMISSION. SOME PARTS ARE NOT INTERCHANGIBLE WITH THE [41TE] EVEN IF THEY HAVE THE SAME SALES CODE [DGL].

Sales Codes:
[DGL]=4 Speed Automatic Transmission - [40TE]
[EDZ]=2.4L 4 Cyl. 16V DOHC Engine

1	04567539AB	1				EDZ	DGL		CARRIER, Planetary Pinion
2	04659238	1				EDZ	DGL		BEARING CONE, Differential
3	06501853	1				EDZ	DGL		SNAP RING
4	04800236AA	1				EDZ	DGL		SPRING, Low/Reverse Clutch Piston
5	04800235AA	1				EDZ	DGL		PISTON, Low and Reverse Clutch
6	04800255AA	1				EDZ	DGL		RETAINER, Transmission Low and Reverse Clutch Piston
-7	06501819	3				EDZ	DGL		SCREW AND WASHER, Pan Head, M5x0.8x11.00
8	04800253AA	1				EDZ	DGL		GASKET, Clutch Retainer
9	04567022	1				EDZ	DGL		BEARING CUP, Differential
10	04412806AB	1				EDZ	DGL		SPACER, Output Shaft, 3.46mm
-11	04412807AB	1				EDZ	DGL		SPACER, Output Shaft, 3.50mm
-12	04412808AB	1				EDZ	DGL		SPACER, Output Shaft, 3.54mm
-13	04412809AB	1				EDZ	DGL		SPACER, Output Shaft, 3.58mm
-14	04412811AB	1				EDZ	DGL		SPACER, Output Shaft, 3.66mm
-15	04412812AB	1				EDZ	DGL		SPACER, Output Shaft, 3.70mm
-16	04412813AB	1				EDZ	DGL		SPACER, Output Shaft, 3.74mm
-17	04412814AB	1				EDZ	DGL		SPACER, Output Shaft, 3.78mm
-18	04412815AB	1				EDZ	DGL		SPACER, Output Shaft, 3.82mm
-19	04412816AB	1				EDZ	DGL		SPACER, Output Shaft, 3.86mm
-20	04412817AB	1				EDZ	DGL		SPACER, Output Shaft, 3.90mm
-21	04412818AB	1				EDZ	DGL		SPACER, Output Shaft, 3.94mm
-22	04412819AB	1				EDZ	DGL		SPACER, Output Shaft, 3.98mm
-23	04412820AB	1				EDZ	DGL		SPACER, Output Shaft, 4.02mm
-24	04412821AB	1				EDZ	DGL		SPACER, Output Shaft, 4.06mm
-25	04412822AB	1				EDZ	DGL		SPACER, Output Shaft, 4.10mm
-26	04412823AB	1				EDZ	DGL		SPACER, Output Shaft, 4.14mm

PT CRUISER (PT)

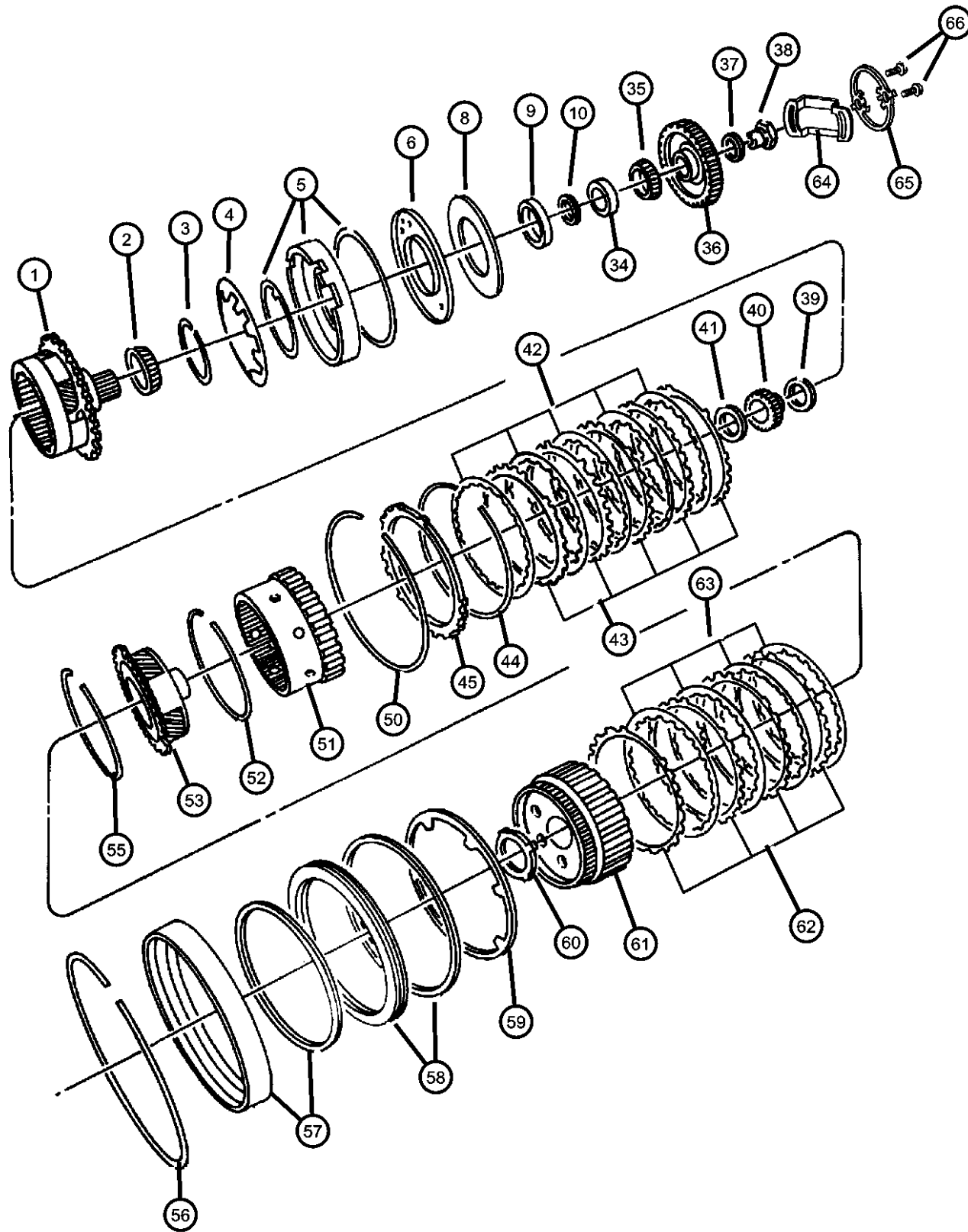
SERIES LINE
H = HIGHLINE C = CHRYSLER
P = PREMIUM Z = CHRYSLER (RHD)
S = SPORT
X = SPECIAL

BODY
27 = 2-DR CONVERTIBLE
44 = HATCHBACK/QUAD
CAB CHASSIS LWB

ENGINE TRANSMISSION
EDJ = 2.2L 4 Cyl Turbo Diesel Engine
EDT = 2.4L 4 Cyl DOHC 16V Turbo Engine
EDV = 2.4L 4 Cyl DOHC 16V HO Turbo Engine
EDZ = 2.4L 4 Cyl DOHC 16V SMPI Engine
EJD = 1.6L 4 Cyl SOHC 16V SMPI
DGL = 4-Speed Automatic Transmission
DD5 = 5-Speed Manual Transmission
DDD = 5-Speed HD Manual Transmission

AR = use ase required - = Non illustrated part

Gear Train
Figure 40TE-AE-430



ITEM	PART NUMBER	QTY	LINE	SERIES	BODY	ENGINE	TRANS	TRIM	DESCRIPTION
-27	04412824AB	1				EDZ	DGL		SPACER, Output Shaft, 4.18mm
-28	04412825AB	1				EDZ	DGL		SPACER, Output Shaft, 4.22mm
-29	04412826AB	1				EDZ	DGL		SPACER, Output Shaft, 4.26mm
-30	04412827AB	1				EDZ	DGL		SPACER, Output Shaft, 4.30mm
-31	04412828AB	1				EDZ	DGL		SPACER, Output Shaft, 4.34mm
-32	04412829AB	1				EDZ	DGL		SPACER, Output Shaft, 4.38mm
-33	04412830AB	1				EDZ	DGL		SPACER, Output Shaft, 4.42mm
34	04412234	1				EDZ	DGL		BEARING CUP, Output Shaft
35	04412235AB	1				EDZ	DGL		BEARING CONE, Output Shaft
36	04713444AD	1				EDZ	DGL		GEAR PACKAGE, Output And Transfer Shaft
37	06501832	1				EDZ	DGL		WASHER, Output Shaft
38	06506972AA	1				EDZ	DGL		BOLT, Hex Head
39	04800082AA	1				EDZ	DGL		THRUST BEARING
40	04377080	1				EDZ	DGL		GEAR, Sun
41	04412229AB	1				EDZ	DGL		THRUST BEARING, Rear Sun Gear, Front
42	04567573AB	4				EDZ	DGL		DISC, Clutch
43	04659055	4				EDZ	DGL		PLATE, Transmission Clutch Reaction
44	04412395	1				EDZ	DGL		SNAP RING
45	04897452AA	1				EDZ	DGL		PLATE PACKAGE, Low/Reverse Clutch, 5.753/6.012
-46	04897453AA	1				EDZ	DGL		PLATE PACKAGE, Low/Reverse Clutch, 6.013/6.272
-47	04897454AA	1				EDZ	DGL		PLATE PACKAGE, Low/Reverse Clutch, 6.273/6.532
-48	04897455AA	1				EDZ	DGL		PLATE PACKAGE, Low/Reverse Clutch, 6.533/6.792
-49	04897456AA	1				EDZ	DGL		PLATE PACKAGE, Low/Reverse Clutch, 6.793/7.052
50	04799858AA	1				EDZ	DGL		SNAP RING
51	04799794	1				EDZ	DGL		GEAR, Annulus
52	04377195	1				EDZ	DGL		SNAP RING
53	05014200AB	1				EDZ	DGL		CARRIER AND BEARING, Planet Pinion

PT CRUISER (PT)

SERIES LINE
H = HIGHLINE C = CHRYSLER
P = PREMIUM Z = CHRYSLER (RHD)
S = SPORT
X = SPECIAL

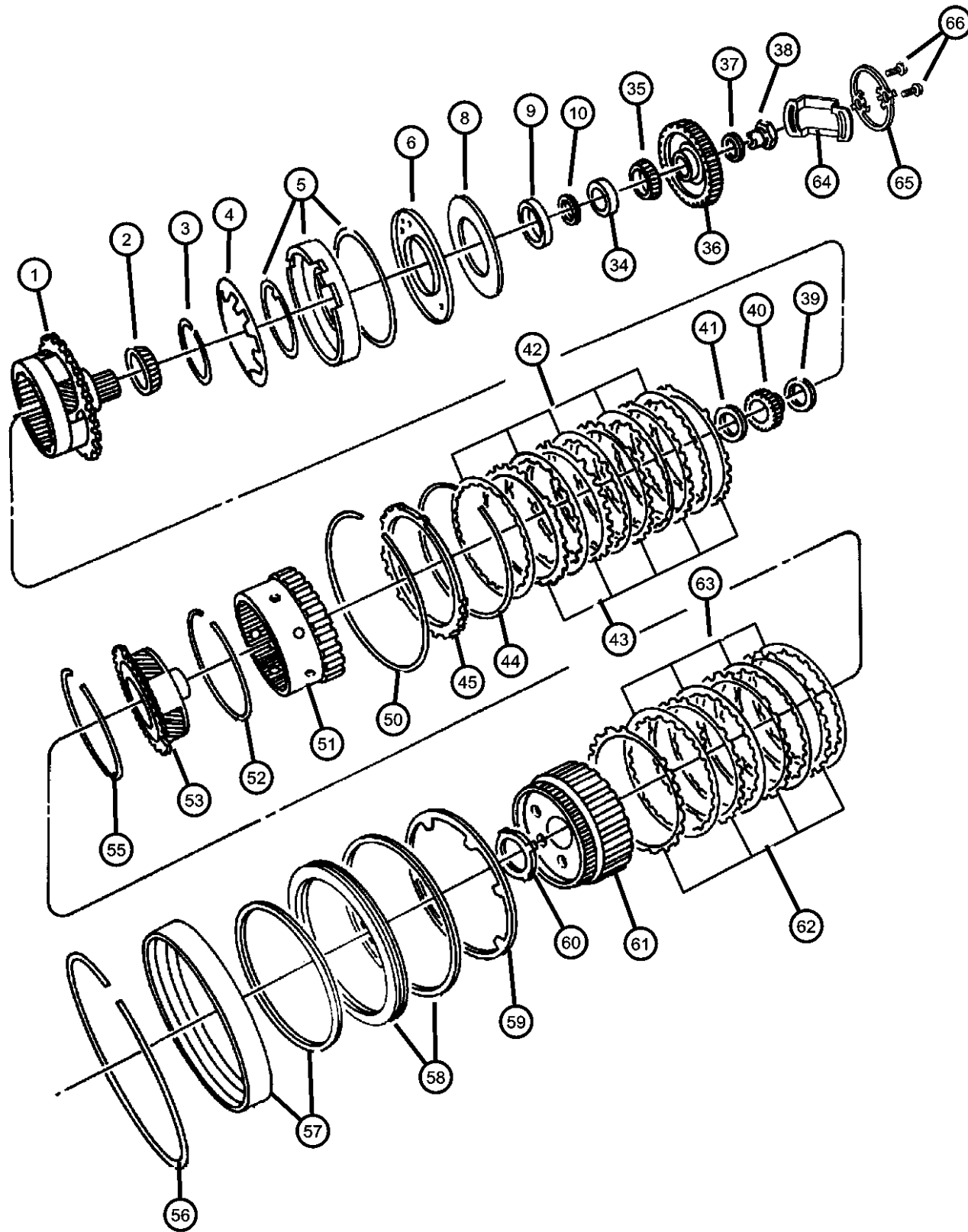
BODY
27 = 2-DR CONVERTIBLE
44 = HATCHBACK/QUAD
CAB CHASSIS LWB

ENGINE TRANSMISSION
EDJ = 2.2L 4 Cyl Turbo Diesel Engine
EDT = 2.4L 4 Cyl DOHC 16V Turbo Engine
EDV = 2.4L 4 Cyl DOHC 16V HO Turbo Engine
EDZ = 2.4L 4 Cyl DOHC 16V SMPI Engine
EJD = 1.6L 4 Cyl SOHC 16V SMPI
DGL = 4-Speed Automatic Transmission
DD5 = 5-Speed Manual Transmission
DDD = 5-Speed HD Manual Transmission

AR = use ase required - = Non illustrated part

2006 PT

Gear Train
Figure 40TE-AE-430



ITEM	PART NUMBER	QTY	LINE	SERIES	BODY	ENGINE	TRANS	TRIM	DESCRIPTION
-54	04800082AA	1				EDZ	DGL		THRUST BEARING
55	06035238	2				EDZ	DGL		SNAP RING
56	04505591	1				EDZ	DGL		SNAP RING
57	05102879AA	1				EDZ	DGL		RETAINER PACKAGE, 2nd & 4th Clutch Piston
58	05102879AA	1				EDZ	DGL		RETAINER PACKAGE, 2nd & 4th Clutch Piston
59	04412248	1				EDZ	DGL		SPRING, 2nd And 4th Clutch Piston
60	04412216AB	1				EDZ	DGL		THRUST WASHER, Second and Fourth Clutch
61	04659618AB	1				EDZ	DGL		HUB AND GEAR, Second And Fourth Clutch
62	04659054	3				EDZ	DGL		PLATE, Transmission Clutch Reaction
63	04799860AB	3				EDZ	DGL		DISC, Clutch
64	04567263	1				EDZ	DGL		STIRRUP, Retaining Nut
65	04659134	1				EDZ	DGL		STRAP, Retaining
66	06503355	2				EDZ	DGL		BOLT, Hex Head, M8x1.25x10.00
-67	02808673	1				EDZ	DGL		ROLLER AND SPRING PACKAGE, Overrunning Clutch
-68	03743664	57				EDZ	DGL		ROLLER, Front and Rear Pinion

PT CRUISER (PT)

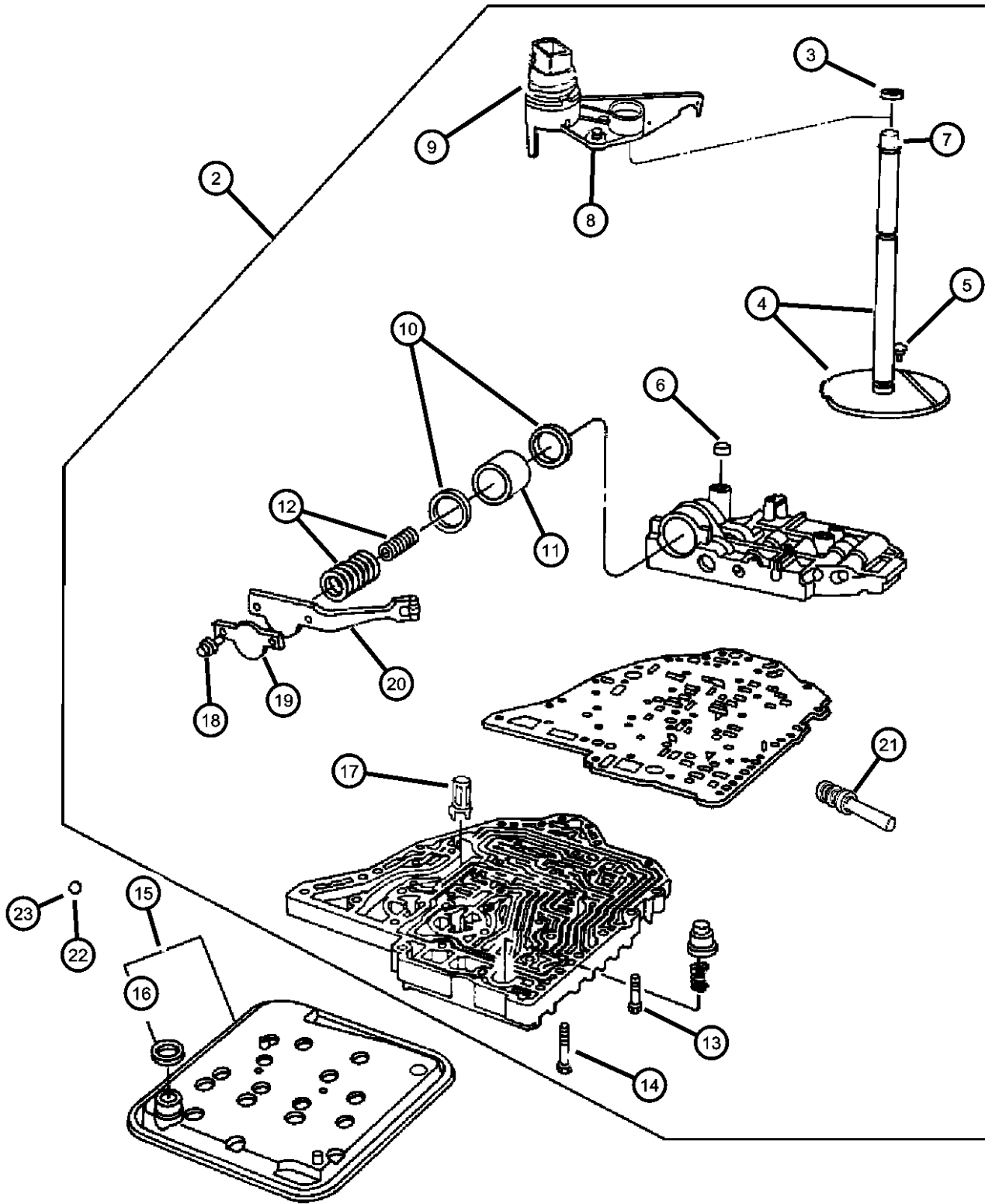
SERIES LINE
 H = HIGHLINE C = CHRYSLER
 P = PREMIUM Z = CHRYSLER (RHD)
 S = SPORT
 X = SPECIAL

BODY
 27 = 2-DR CONVERTIBLE
 44 = HATCHBACK/QUAD
 CAB CHASSIS LWB

ENGINE TRANSMISSION
 EDJ = 2.2L 4 Cyl Turbo Diesel Engine
 EDT = 2.4L 4 Cyl DOHC 16V Turbo Engine
 EDV = 2.4L 4 Cyl DOHC 16V HO Turbo Engine
 EDZ = 2.4L 4 Cyl DOHC 16V SMPI Engine
 EJD = 1.6L 4 Cyl SOHC 16V SMPI
 DGL = 4-Speed Automatic Transmission
 DD5 = 5-Speed Manual Transmission
 DDD = 5-Speed HD Manual Transmission

AR = use ase required - = Non illustrated part

Valve Body
Figure 40TE-AE-710



ITEM	PART NUMBER	QTY	LINE	SERIES	BODY	ENGINE	TRANS	TRIM	DESCRIPTION
------	-------------	-----	------	--------	------	--------	-------	------	-------------

NOTE: PLEASE OBTAIN [PK] NUMBER TO ORDER CORRECT PARTS FOR THE [40TE] TRANSMISSION. SOME PARTS ARE NOT INTERCHANGIBLE WITH THE [41TE] EVEN IF THEY HAVE THE SAME SALES CODE [DGL].

Sales Codes:

[DGL]=4 Speed Automatic Transmission - [40TE]

[EDZ]=2.4L 4 Cyl. 16V DOHC Engine

-1	04864696AB	1				EDZ	DGL		GASKET PACKAGE, Valve Body
2	05137566AA	1				EDZ	DGL		VALVE BODY, Complete
3	04412836	1				EDZ	DGL		SEAL, Manual Valve Lever
4	04800278AA	1				EDZ	DGL		LEVER, Manual Valve
5	06506245AA	1				EDZ	DGL		SCREW
6	04412291	1				EDZ	DGL		SEAL, Clutch Feed
7	04505557	1				EDZ	DGL		VENT, Transmission
8	04659676AC	1				EDZ	DGL		SENSOR, Transmission Range
9	04659678	1				EDZ	DGL		SEAL, Manual Valve Position Sensor
10	04659678	1							SEAL, Accumulator, Serviced With Piston, (NOT SERVICED)
11	04446620AC	1				EDZ	DGL		PISTON, Accumulator
12	04800310AA	1				EDZ	DGL		SPRING, Accumulator
13	06500215	24				EDZ	DGL		SCREW AND WASHER, Pan Head, M5x.8x25
14	06100155	18				EDZ	DGL		BOLT, Hex Head, M8x30
15	04864505AB	1				EDZ	DGL		FILTER PACKAGE, Transmission Oil
16	06032780	1				EDZ	DGL		O RING, Trans Oil Filter
17	03878313	1				EDZ	DGL		SCREEN, Transmission Regulator Valve
18	06503232	3				EDZ	DGL		SCREW, Pan Head, M5 x 0.8 x 12.60
19	04431711	1				EDZ	DGL		RETAINER, Transmission 2nd and 4th Accumulator Piston
20	04431710	1				EDZ	DGL		DETENT, Valve Body
21	04659081	1				EDZ	DGL		VALVE, Transmission Regulator
22	52118261	1				EDZ	DGL		BALL, Check
23	52118261	1				EDZ	DGL		BALL, Check

PT CRUISER (PT)

SERIES LINE
H = HIGHLINE C = CHRYSLER
P = PREMIUM Z = CHRYSLER (RHD)
S = SPORT
X = SPECIAL

BODY
27 = 2-DR CONVERTIBLE
44 = HATCHBACK/QUAD CAB CHASSIS LWB

ENGINE
EDJ = 2.2L 4 Cyl Turbo Diesel Engine
EDT = 2.4L 4 Cyl DOHC 16V Turbo Engine
EDV = 2.4L 4 Cyl DOHC 16V HO Turbo Engine
EDZ = 2.4L 4 Cyl DOHC 16V SMPI Engine
EJD = 1.6L 4 Cyl SOHC 16V SMPI

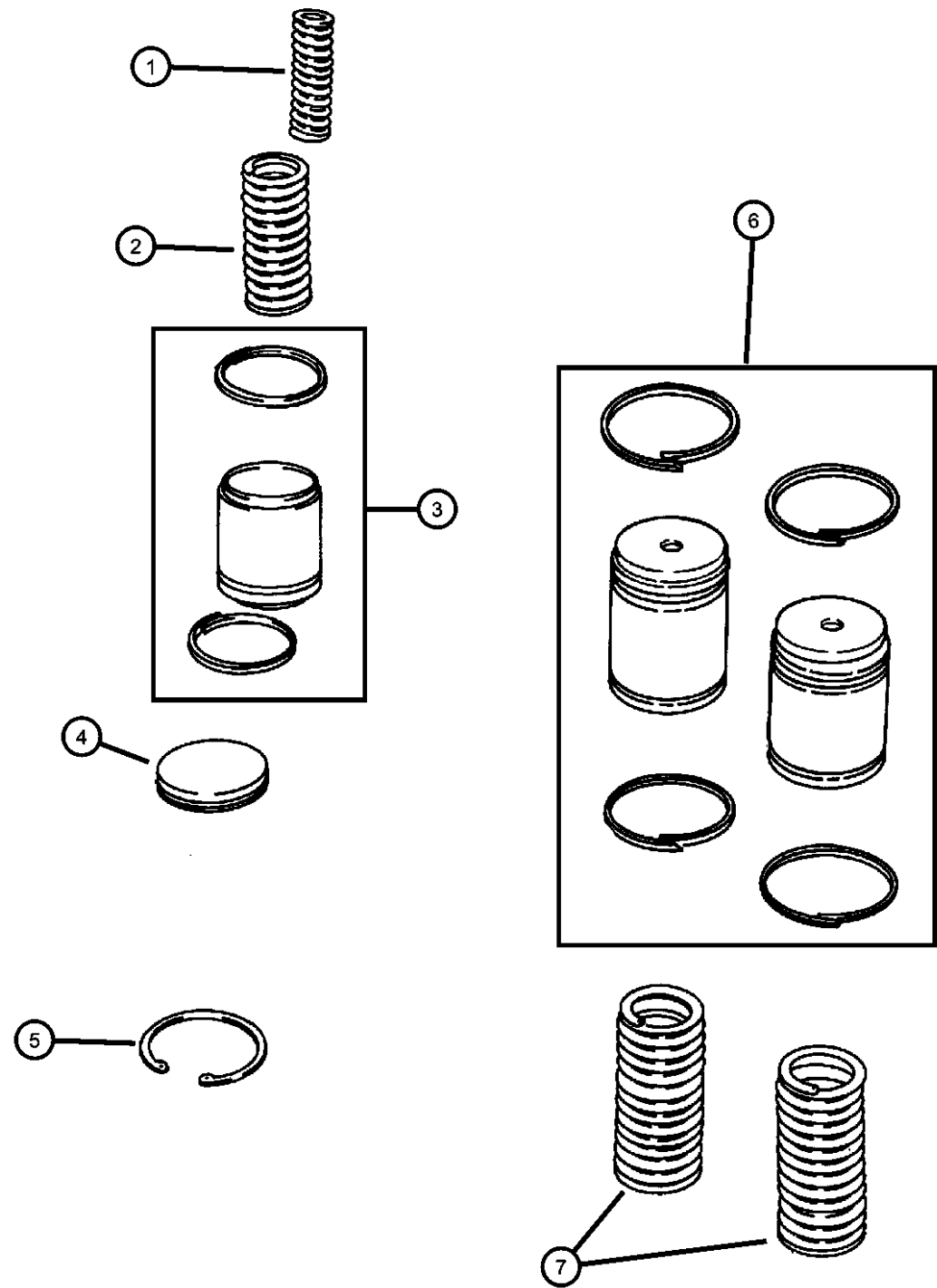
TRANSMISSION
DGL = 4-Speed Automatic Transmission
DD5 = 5-Speed Manual Transmission
DDD = 5-Speed HD Manual Transmission

AR = use ase required - = Non illustrated part

2006 PT

**Accumulator Piston & Spring
Figure 40TE-AE-720**

ITEM	PART NUMBER	QTY	LINE	SERIES	BODY	ENGINE	TRANS	TRIM	DESCRIPTION
------	-------------	-----	------	--------	------	--------	-------	------	-------------



NOTE: PLEASE OBTAIN [PK] NUMBER TO ORDER CORRECT PARTS FOR THE [40TE] TRANSMISSION. SOME PARTS ARE NOT INTERCHANGIBLE WITH THE [41TE] EVEN IF THEY HAVE THE SAME SALES CODE [DGL].

Sales Codes:

[DGL]=4 Speed Automatic Transmission - [40TE]
[EDZ]=2.4L 4 Cyl. 16V DOHC Engine

1	04567575	1				EDZ	DGL		SPRING, Accumulator
2	04471880	1				EDZ	DGL		SPRING, Accumulator
3	04446620AC	1				EDZ	DGL		PISTON, Accumulator
4	04431617AB	1				EDZ	DGL		COVER, Accumulator
5	06501695	1				EDZ	DGL		SNAP RING
6	04446620AC	1				EDZ	DGL		PISTON, Accumulator
7	04471880	1				EDZ	DGL		SPRING, Accumulator

PT CRUISER (PT)

SERIES LINE
H = HIGHLINE C = CHRYSLER
P = PREMIUM Z = CHRYSLER (RHD)
S = SPORT
X = SPECIAL

BODY
27 = 2-DR CONVERTIBLE
44 = HATCHBACK/QUAD
CAB CHASSIS LWB

ENGINE
EDJ = 2.2L 4 Cyl Turbo Diesel Engine
EDT = 2.4L 4 Cyl DOHC 16V Turbo Engine
EDV = 2.4L 4 Cyl DOHC 16V HO Turbo Engine
EDZ = 2.4L 4 Cyl DOHC 16V SMPI Engine
EJD = 1.6L 4 Cyl SOHC 16V SMPI

TRANSMISSION
DGL = 4-Speed Automatic Transmission
DD5 = 5-Speed Manual Transmission
DDD = 5-Speed HD Manual Transmission

AR = use ase required - = Non illustrated part

2006 PT

**Parking Sprag
Figure 40TE-AE-730**

ITEM	PART NUMBER	QTY	LINE	SERIES	BODY	ENGINE	TRANS	TRIM	DESCRIPTION
------	-------------	-----	------	--------	------	--------	-------	------	-------------

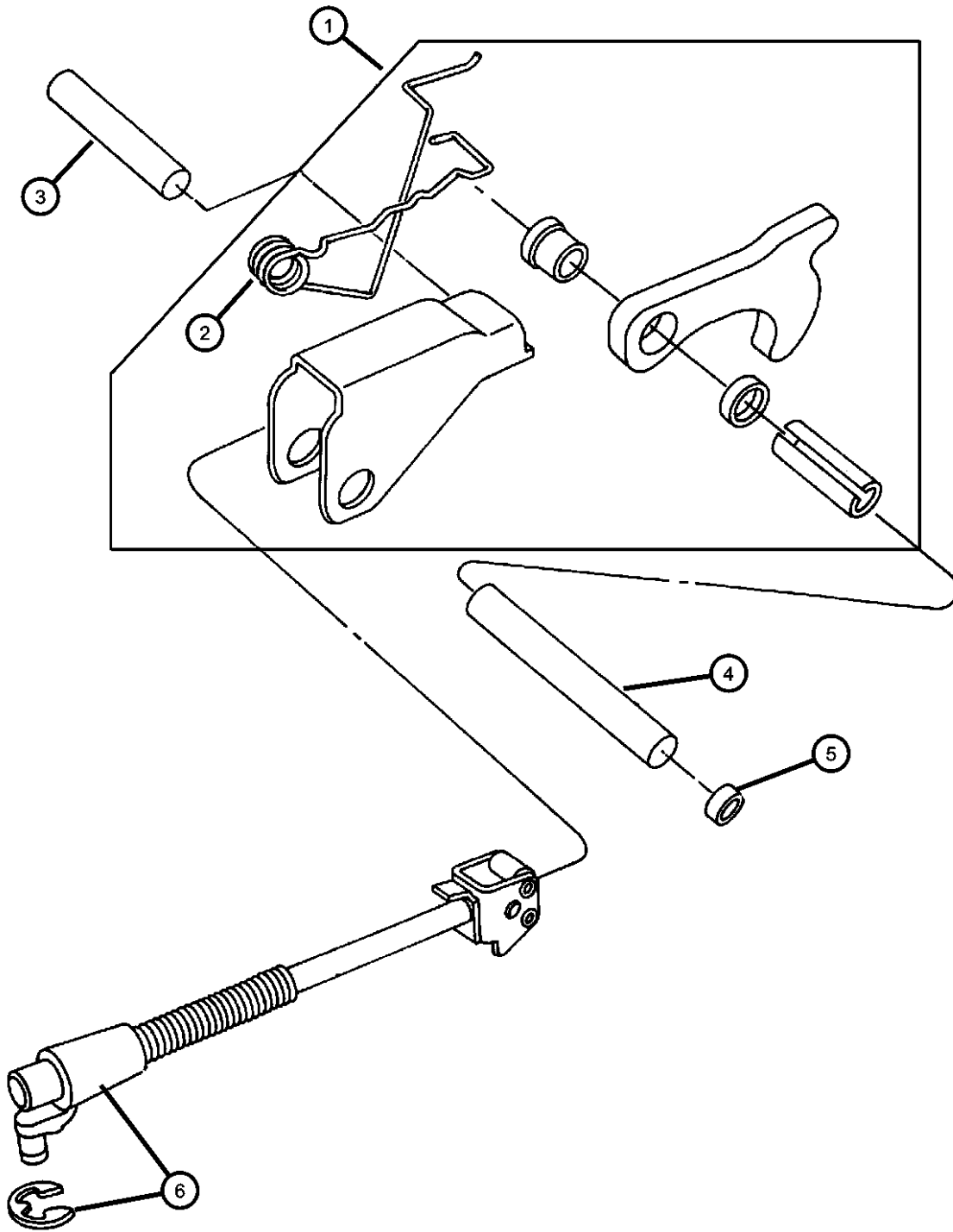
NOTE: PLEASE OBTAIN [PK] NUMBER TO ORDER CORRECT PARTS FOR THE [40TE] TRANSMISSION. SOME PARTS ARE NOT INTERCHANGIBLE WITH THE [41TE] EVEN IF THEY HAVE THE SAME SALES CODE [DGL].

Sales Codes:

[DGL]=4 Speed Automatic Transmission - [40TE]

[EDZ]=2.4L 4 Cyl. 16V DOHC Engine

1	04883505AB	1				EDZ	DGL		GUIDE PACKAGE, Parking Sprag Pawl
2	52852949AA	1				EDZ	DGL		SPRING, Parking Sprag Return
3	04412289	1				EDZ	DGL		SHAFT, Parking Sprag
4	04412289	1				EDZ	DGL		SHAFT, Parking Sprag
5	04446612	1				EDZ	DGL		CUP, Parking Brake Sprag
6	04800276AA	1				EDZ	DGL		ROD, Parking Sprag



PT CRUISER (PT)

SERIES	LINE
H = HIGHLINE	C = CHRYSLER
P = PREMIUM	Z = CHRYSLER (RHD)
S = SPORT	
X = SPECIAL	

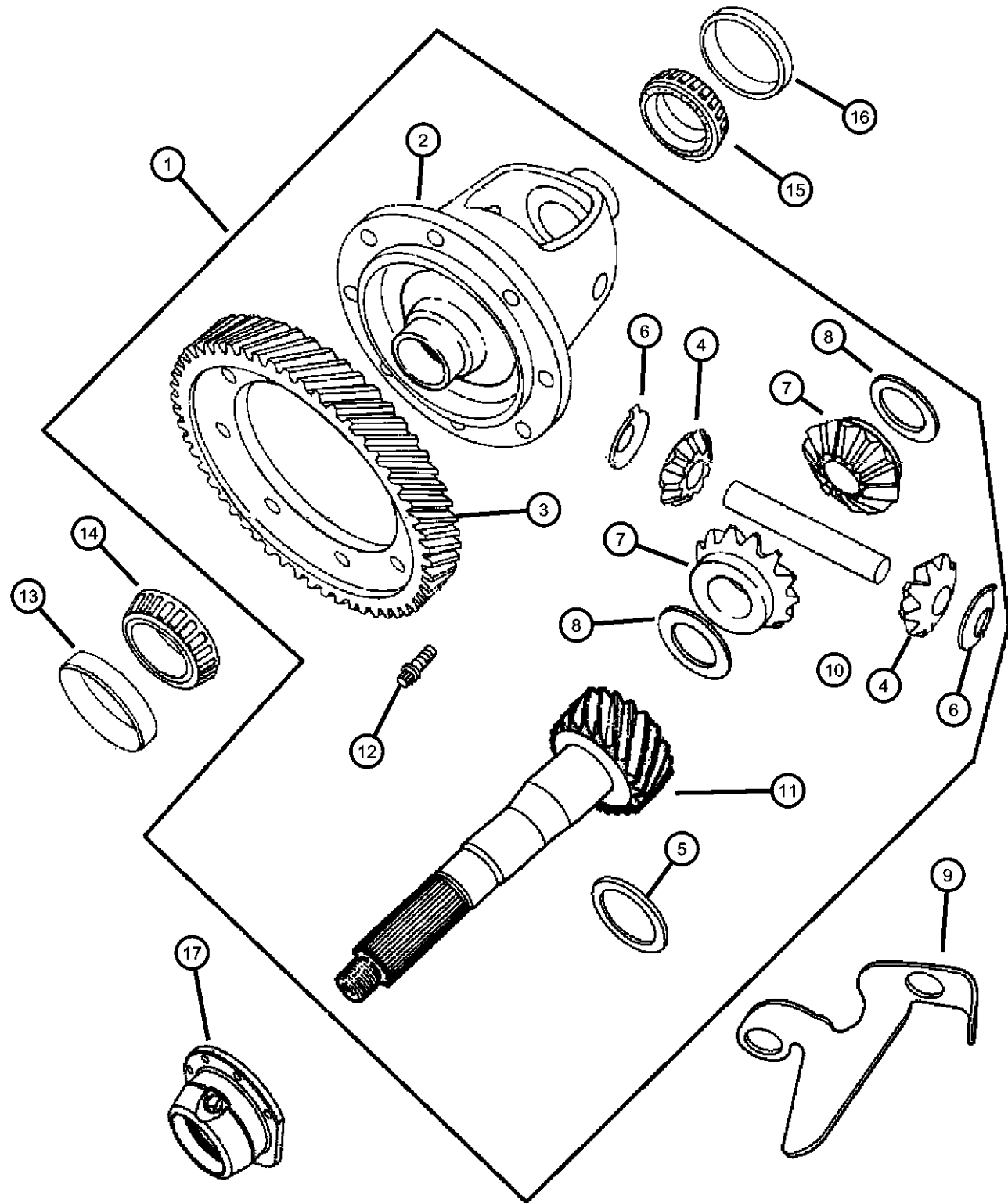
BODY
27 = 2-DR CONVERTIBLE
44 = HATCHBACK/QUAD CAB CHASSIS LWB

ENGINE	TRANSMISSION
EDJ = 2.2L 4 Cyl Turbo Diesel Engine	DGL = 4-Speed Automatic Transmission
EDT = 2.4L 4 Cyl DOHC 16V Turbo Engine	DD5 = 5-Speed Manual Transmission
EDV = 2.4L 4 Cyl DOHC 16V HO Turbo Engine	DDD = 5-Speed HD Manual Transmission
EDZ = 2.4L 4 Cyl DOHC 16V SMPI Engine	
EJD = 1.6L 4 Cyl SOHC 16V SMPI	

AR = use ase required - = Non illustrated part

2006 PT

**Differential
Figure 40TE-AE-810**



ITEM	PART NUMBER	QTY	LINE	SERIES	BODY	ENGINE	TRANS	TRIM	DESCRIPTION
------	-------------	-----	------	--------	------	--------	-------	------	-------------

NOTES: PLEASE OBTAIN [PK] NUMBER TO ORDER CORRECT TRANSMISSION ASSEMBLY FOR THE [40TE]. [40TE] TRANSMISSIONS ARE WITH THE [41TE] EVEN IF THEY HAVE THE SAME SALES CODE [DGL].

Sales Codes:

[DGL]=4 Speed Automatic Transmission - [41TE/AE]

[EGN]=3.5L 24V V-6 Engine

[EGH]=3.8L OHV V-6 Engine

1	04800241AB	1				EDZ	DGL		DIFFERENTIAL, Transaxle
2	04800241AB	1							CASE, Differential, Serviced In # 1, (NOT SERVICED)
3	04659175AB	1				EDZ	DGL		GEAR, Differential Ring, 60 Teeth
4	04800300AA	2				EDZ	DGL		PINION, Differential
5	03681949	6				EDZ	DGL		THRUST WASHER, Planet Pinion
6	04412521	2				EDZ	DGL		WASHER, Thrust
7	04800299AA	2				EDZ	DGL		GEAR, Differential Side
8	04504568	1				EDZ	DGL		WASHER PACKAGE, Side Gear Thrust
9	04800013AB	2				EDZ	DGL		BRACKET, Differential Pinion Shaft
10	04659142AB	1				EDZ	DGL		SHAFT, Pinion Gear
11	04531976AB	1				EDZ	DGL		SHAFT, Transfer Gear
12	06502034	12				EDZ	DGL		SCREW, Special Shouldered, M10x1x29
13	04800230AA	1				EDZ	DGL		CUP, Differential Side
14	04659238	1				EDZ	DGL		BEARING CONE, DifferentialLeft
15	04567025AB	1				EDZ	DGL		BEARING CONE, DifferentialRight
16	04567022	1				EDZ	DGL		BEARING CUP, Differential
17	04659736	1				EDZ	DGL		RETAINER, Differential Bearing
-18	04659253	AR				EDZ	DGL		SPACER, Final Drive, 0.82mm
-19	04659257	AR				EDZ	DGL		SPACER, Final Drive, 0.98mm
-20	04659258	AR				EDZ	DGL		SPACER, Final Drive, 1.02mm
-21	04659259	AR				EDZ	DGL		SPACER, Final Drive, 1.06mm
-22	04659260	AR				EDZ	DGL		SPACER, Final Drive, 1.10mm
-23	04659261	AR				EDZ	DGL		SPACER, Final Drive, 1.14mm
-24	04659262	AR				EDZ	DGL		SPACER, Final Drive, 1.18mm
-25	04659263	AR				EDZ	DGL		SPACER, Final Drive, 1.22mm
-26	04659264	AR				EDZ	DGL		SPACER, Final Drive, 1.26mm

PT CRUISER (PT)

SERIES	LINE
H = HIGHLINE	C = CHRYSLER
P = PREMIUM	Z = CHRYSLER (RHD)
S = SPORT	
X = SPECIAL	

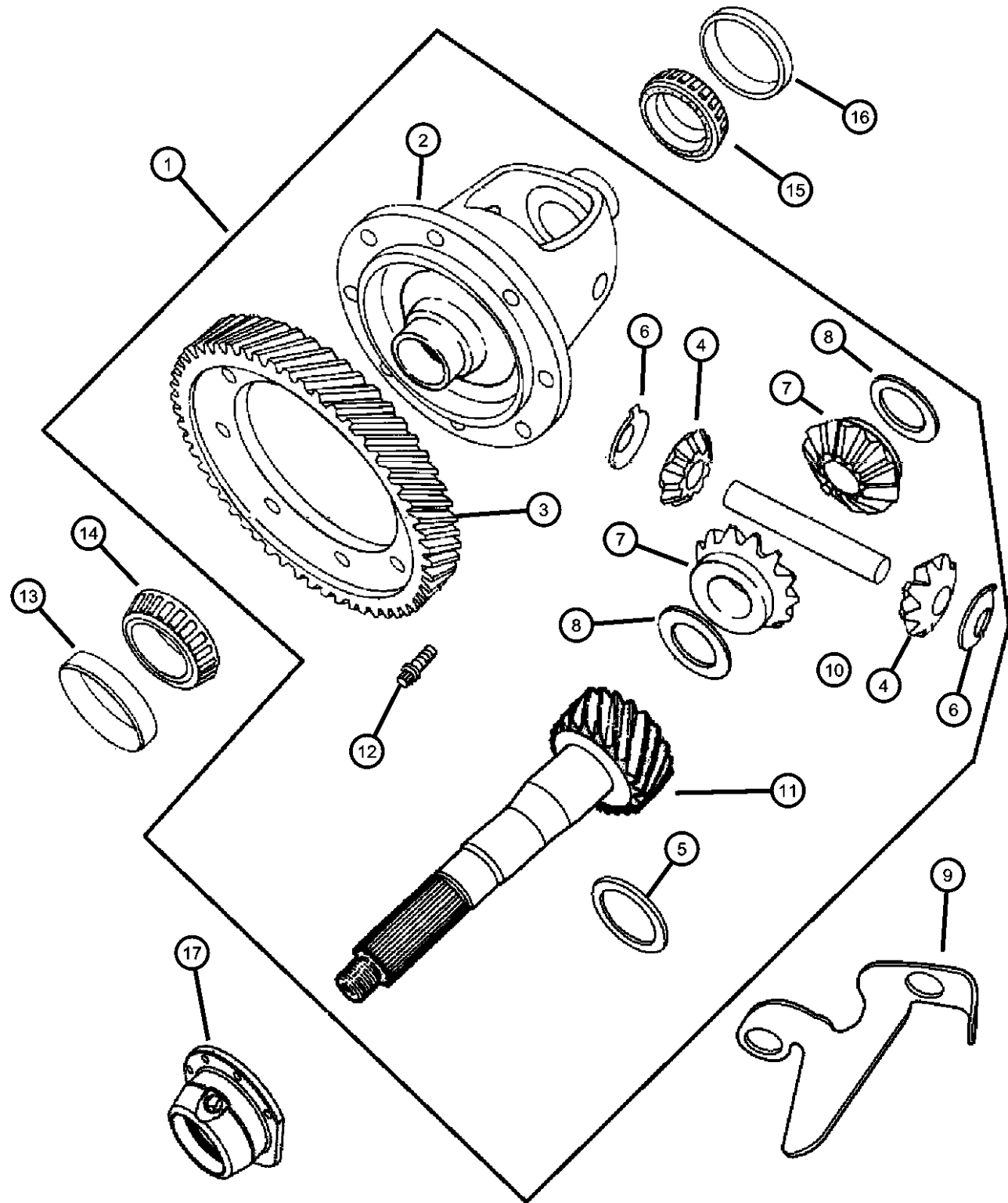
BODY
27 = 2-DR CONVERTIBLE
44 = HATCHBACK/QUAD CAB CHASSIS LWB

ENGINE	TRANSMISSION
EDJ = 2.2L 4 Cyl Turbo Diesel Engine	DGL = 4-Speed Automatic Transmission
EDT = 2.4L 4 Cyl DOHC 16V Turbo Engine	DD5 = 5-Speed Manual Transmission
EDV = 2.4L 4 Cyl DOHC 16V HO Turbo Engine	DDD = 5-Speed HD Manual Transmission
EDZ = 2.4L 4 Cyl DOHC 16V SMPI Engine	
EJD = 1.6L 4 Cyl SOHC 16V SMPI	

AR = use ase required - = Non illustrated part

2006 PT

**Differential
Figure 40TE-AE-810**



ITEM	PART NUMBER	QTY	LINE	SERIES	BODY	ENGINE	TRANS	TRIM	DESCRIPTION
-27	04659265	AR				EDZ	DGL		SPACER, Final Drive, 1.30mm
-28	04659266	AR				EDZ	DGL		SPACER, Final Drive, 1.34mm
-29	04659267	AR				EDZ	DGL		SPACER, Final Drive, 1.38mm
-30	04659268	AR				EDZ	DGL		SPACER, Final Drive, 1.42mm
-31	04659269	AR				EDZ	DGL		SPACER, Final Drive, 1.46mm
-32	04659270	AR				EDZ	DGL		SPACER, Final Drive, 1.50mm
-33	04659271	AR				EDZ	DGL		SPACER, Final Drive, 1.54mm
-34	04659272	AR				EDZ	DGL		SPACER, Final Drive, 1.58mm
-35	04659273	AR				EDZ	DGL		SPACER, Final Drive, 1.62mm
-36	04659274	AR				EDZ	DGL		SPACER, Final Drive, 1.66mm
-37	04659275	AR				EDZ	DGL		SPACER, Final Drive, 1.70mm
-38	04659276	AR				EDZ	DGL		SPACER, Final Drive, 1.74mm
-39	04659277	AR				EDZ	DGL		SPACER, Final Drive, 1.78mm
-40	04659278	AR				EDZ	DGL		SPACER, Final Drive, 1.82mm
-41	04659279	AR				EDZ	DGL		SPACER, Final Drive, 1.86mm
-42	04659283	AR				EDZ	DGL		SPACER, Final Drive, 2.02mm
-43	04659284	AR				EDZ	DGL		SPACER, Final Drive, 2.06mm

PT CRUISER (PT)

SERIES LINE
H = HIGHLINE C = CHRYSLER
P = PREMIUM Z = CHRYSLER (RHD)
S = SPORT
X = SPECIAL

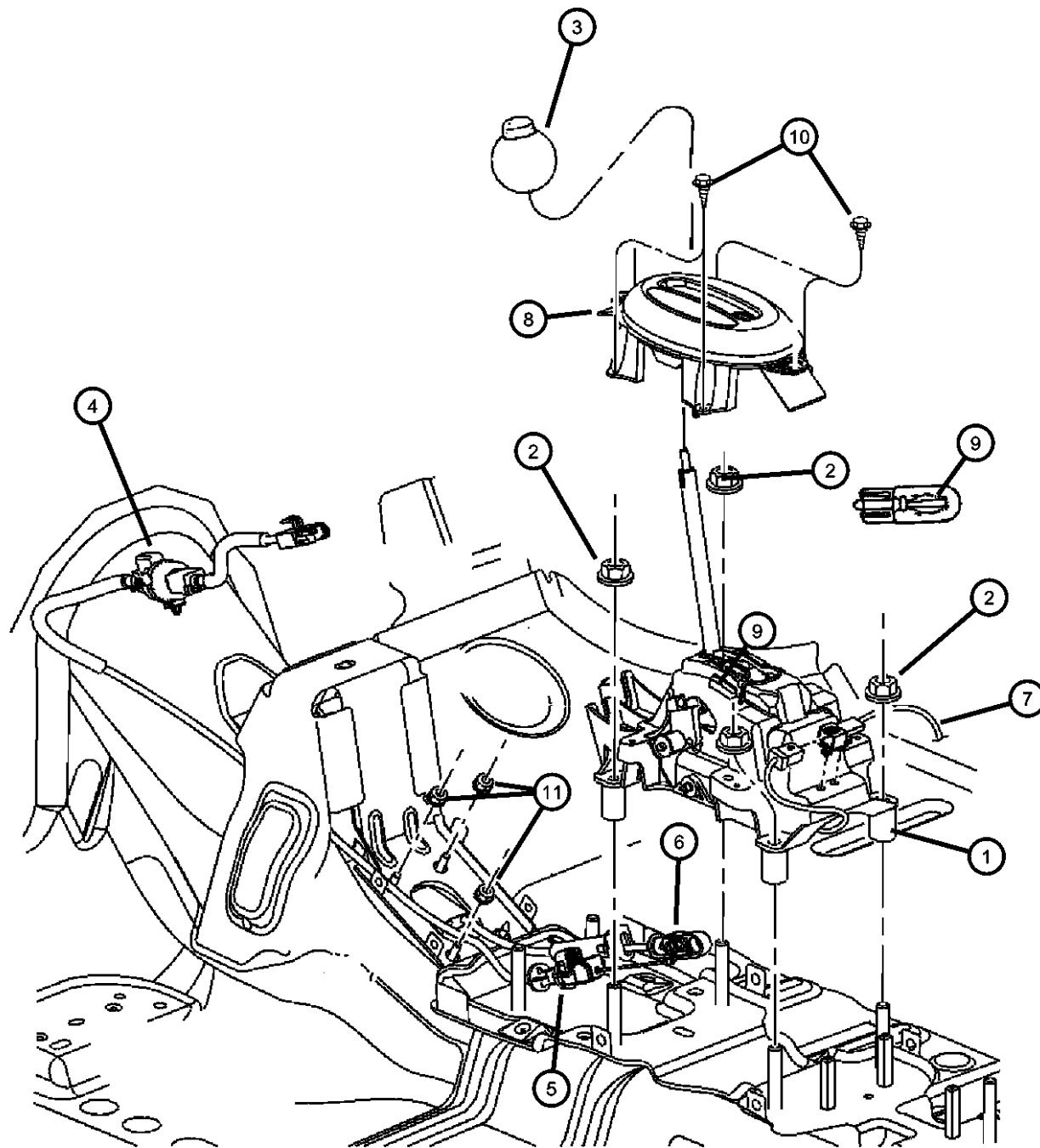
BODY
27 = 2-DR CONVERTIBLE
44 = HATCHBACK/QUAD
CAB CHASSIS LWB

ENGINE
EDJ = 2.2L 4 Cyl Turbo Diesel Engine
EDT = 2.4L 4 Cyl DOHC 16V Turbo Engine
EDV = 2.4L 4 Cyl DOHC 16V HO Turbo Engine
EDZ = 2.4L 4 Cyl DOHC 16V SMPI Engine
EJD = 1.6L 4 Cyl SOHC 16V SMPI

TRANSMISSION
DGL = 4-Speed Automatic Transmission
DD5 = 5-Speed Manual Transmission
DDD = 5-Speed HD Manual Transmission

AR = use ase required - = Non illustrated part

**Gearshift Control
Figure 40TE-AE-1210**



ITEM	PART NUMBER	QTY	LINE	SERIES	BODY	ENGINE	TRANS	TRIM	DESCRIPTION
------	-------------	-----	------	--------	------	--------	-------	------	-------------

NOTE: PLEASE OBTAIN [PK] NUMBER TO ORDER CORRECT TRANSMISSION ASSEMBLY FOR THE [40TE]. [40TE] TRANSMISSIONS ARE WITH THE [41TE] EVEN IF THEY HAVE THE SAME SALES CODE [DGL].

Sales Codes:

- [CEK]=Color Keyed Knob
- [CVZ]=Sliver Shift Knob
- [DHD]=Autostick Transmission
- [DGL]=4 Speed Automatic Transmission - [40TE - AE]
- [EDT]=2.4L 4 Cyl. Turbo Engine
- [EDJ]=2.2L 4 Cyl. Turbo Diesel Engine
- [EJD]=1.6L 4 Cyl. 16V SOHC Engine
- [EDZ]=2.4L DOHC 16V 4 Cyl. Engine
- [EDV]=2.4L 4 Cyl. High Output Turbo Engine
- [JBS]=Color Keyed [PRNDL] Bezel
- [JBV]=Chrome [PRNDL] Bezel

1	04668868AG	1					DGL		SHIFTER, Transmission
2	06101695	4					DGL		NUT, Hex Flange Lock
3									KNOB, Gearshift
	1BX39BDAAA	1				EDT, EDZ	DGL		With [CEK] & [DA] Order Code
	1BX39DKAAA	1				EDT, EDZ	DGL		With [CEK] & [KA] Order Code
		1				EDT, EDV, EDZ	DGL		With [CEK] & [DA] Or [KA] Order Code
	1BX44XZ2AA	1				EDT, EDV, EDZ	DGL		With [CVZ] & [DA] Or [KA] Order Code
4	04668592AK	1	C				DGL		CABLE, Ignition Interlock
5	04668630AB	1					DGL		CLIP, Locking
6	05274750AF	1				EDJ, EDZ, EJD	DGL		CABLE, Gearshift Control
7	05274750AF	1							WIRING, Instrument Panel, See Electrical Group, (NOT SERVICED)
8									BEZEL, Console PRNDL
	0TR421DAAD	1	C				DGL		With [DHD+JBS] & [DA] Order Code
	0TR421KAAD	1	C				DGL		With [DHD+JBS] & [KA] Order Code
	0XA391Z0AB	1	C				DGL		With [DHD+JBV]
9	L0000194	1					DGL		BULB, 194
10	L0000194	1							SCREW, [M5X1.81X15], (NOT SERVICED)
11	06502676	1							NUT, Hex, M6x1.00

PT CRUISER (PT)

SERIES LINE
H = HIGHLINE C = CHRYSLER
P = PREMIUM Z = CHRYSLER (RHD)
S = SPORT
X = SPECIAL

BODY
27 = 2-DR CONVERTIBLE
44 = HATCHBACK/QUAD
CAB CHASSIS LWB

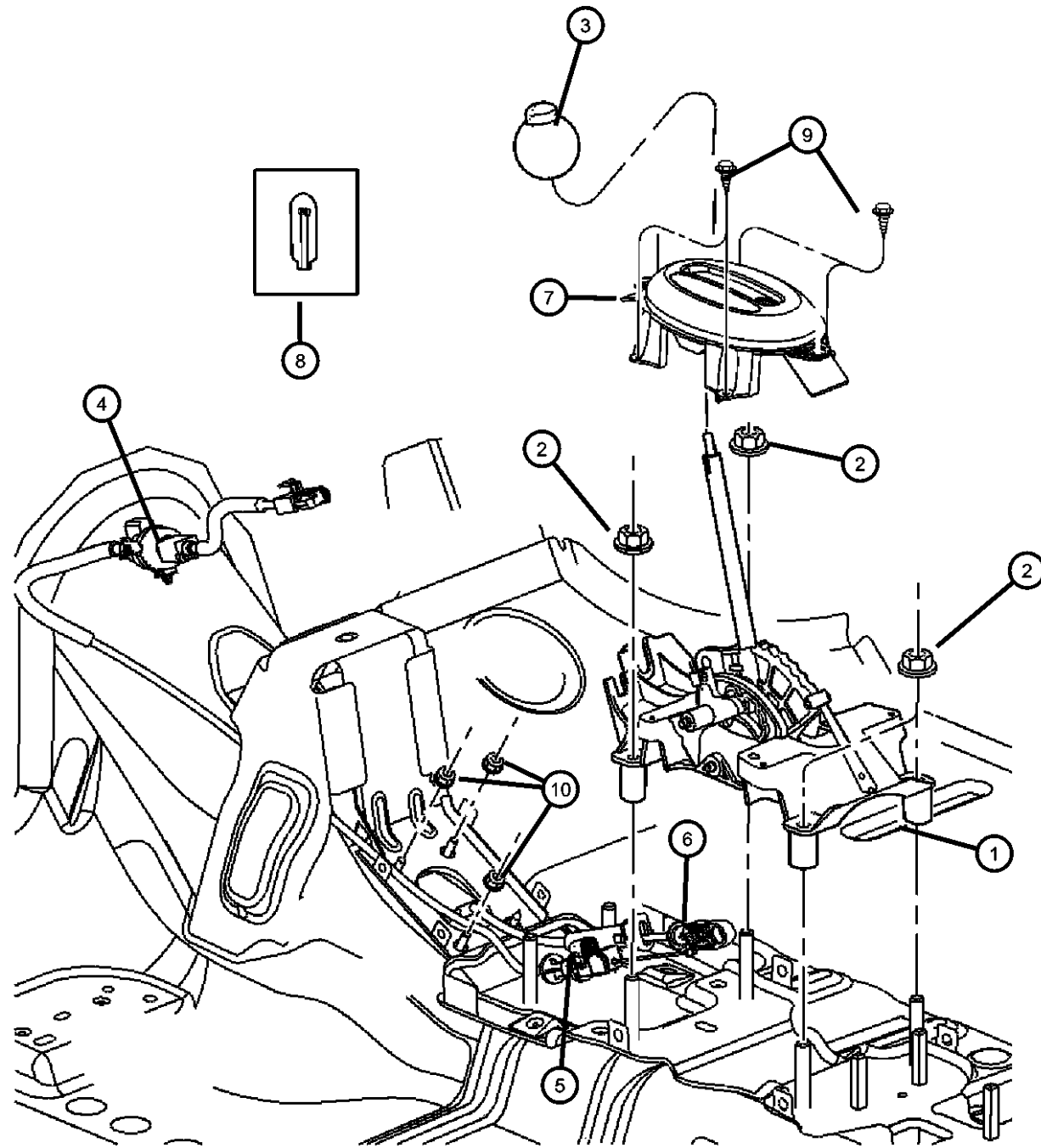
ENGINE
EDJ = 2.2L 4 Cyl Turbo Diesel Engine
EDT = 2.4L 4 Cyl DOHC 16V Turbo Engine
EDV = 2.4L 4 Cyl DOHC 16V HO Turbo Engine
EDZ = 2.4L 4 Cyl DOHC 16V SMPI Engine
EJD = 1.6L 4 Cyl SOHC 16V SMPI

TRANSMISSION
DGL = 4-Speed Automatic Transmission
DD5 = 5-Speed Manual Transmission
DDD = 5-Speed HD Manual Transmission

AR = use ase required - = Non illustrated part

2006 PT

Gearshift Control
Figure 40TE-AE-1220



ITEM	PART NUMBER	QTY	LINE	SERIES	BODY	ENGINE	TRANS	TRIM	DESCRIPTION
------	-------------	-----	------	--------	------	--------	-------	------	-------------

NOTE: PLEASE OBTAIN [PK] NUMBER TO ORDER CORRECT TRANSMISSION ASSEMBLY FOR THE [40TE]. [40TE] TRANSMISSIONS ARE WITH THE [41TE] EVEN IF THEY HAVE THE SAME SALES CODE [DGL].

Sales Codes:

- [CEK]=Color Keyed Shift Knob
- [CVZ]=Sliver Shift Knob
- [DGL]=4 Speed Automatic Transmission
- [DHD]=Autostick Transmission
- [EDT]=2.4L 4 Cyl. 16 V Turbo Engine
- [EDJ]=2.2 4 Cyl. Turbo Diesel Engine
- [EJD]=1.6L 4 Cyl. SOHC Engine
- [EDV]=2.4L DOHC 16V 4 Cyl. High Output Turbo Engine
- [EDZ]=2.4L DOHC 16V 4 Cyl. Engine
- [JBS]=Color Keyed [PRNDL] Bezel
- [JBV]=Chrome [PRNDL] Bezel
- [JBW]=Satin Silver [PRNDL] Bezel

1	04668870AF	1					DGL		SHIFTER, Transmission
2	06101695	4					DGL		NUT, Hex Flange Lock
3									KNOB, Gearshift
	1BX39BDAAA	1				EDT, EDZ	DGL		With [CEK] & [DA] Order Code
	1BX39DKAAA	1				EDT, EDZ	DGL		With [CEK] & [KA] Order Code
		1				EDT, EDV, EDZ	DGL		With [CVZ]
	1BX44XZ2AA	1				EDT, EDV, EDZ	DGL		With [CVZ] Silver
4									CABLE, Ignition Interlock
	04668592AK	1		C			DGL		
	04668698AH	1		Z			DGL		
5	04668630AB	1					DGL		CLIP, Locking
6	05274750AF	1				EDJ, EDZ, EJD	DGL		CABLE, Gearshift Control
7									BEZEL, Console PRNDL
	0TR431DAAD	1		Z			DGL		With [JBS] & Order Code [DA]
	0TR431KAAD	1		Z			DGL		With [JBS] & Order Code [KA]
	0TZ25BDAAA	1		C			DGL		With [JBS] & Order Code [DA]
	0TZ25DKAAA	1		C			DGL		With [JBS] & Order Code [KA]
	0WC261Z2AD	1		C			DGL		With [JBW]
	0XA41SZ0AA	1		C			DGL		With [JBV]

PT CRUISER (PT)

SERIES LINE
H = HIGHLINE C = CHRYSLER
P = PREMIUM Z = CHRYSLER (RHD)
S = SPORT
X = SPECIAL

BODY
27 = 2-DR CONVERTIBLE
44 = HATCHBACK/QUAD
CAB CHASSIS LWB

ENGINE
EDJ = 2.2L 4 Cyl Turbo Diesel Engine
EDT = 2.4L 4 Cyl DOHC 16V Turbo Engine
EDV = 2.4L 4 Cyl DOHC 16V HO Turbo Engine
EDZ = 2.4L 4 Cyl DOHC 16V SMPI Engine
EJD = 1.6L 4 Cyl SOHC 16V SMPI

TRANSMISSION
DGL = 4-Speed Automatic Transmission
DD5 = 5-Speed Manual Transmission
DDD = 5-Speed HD Manual Transmission

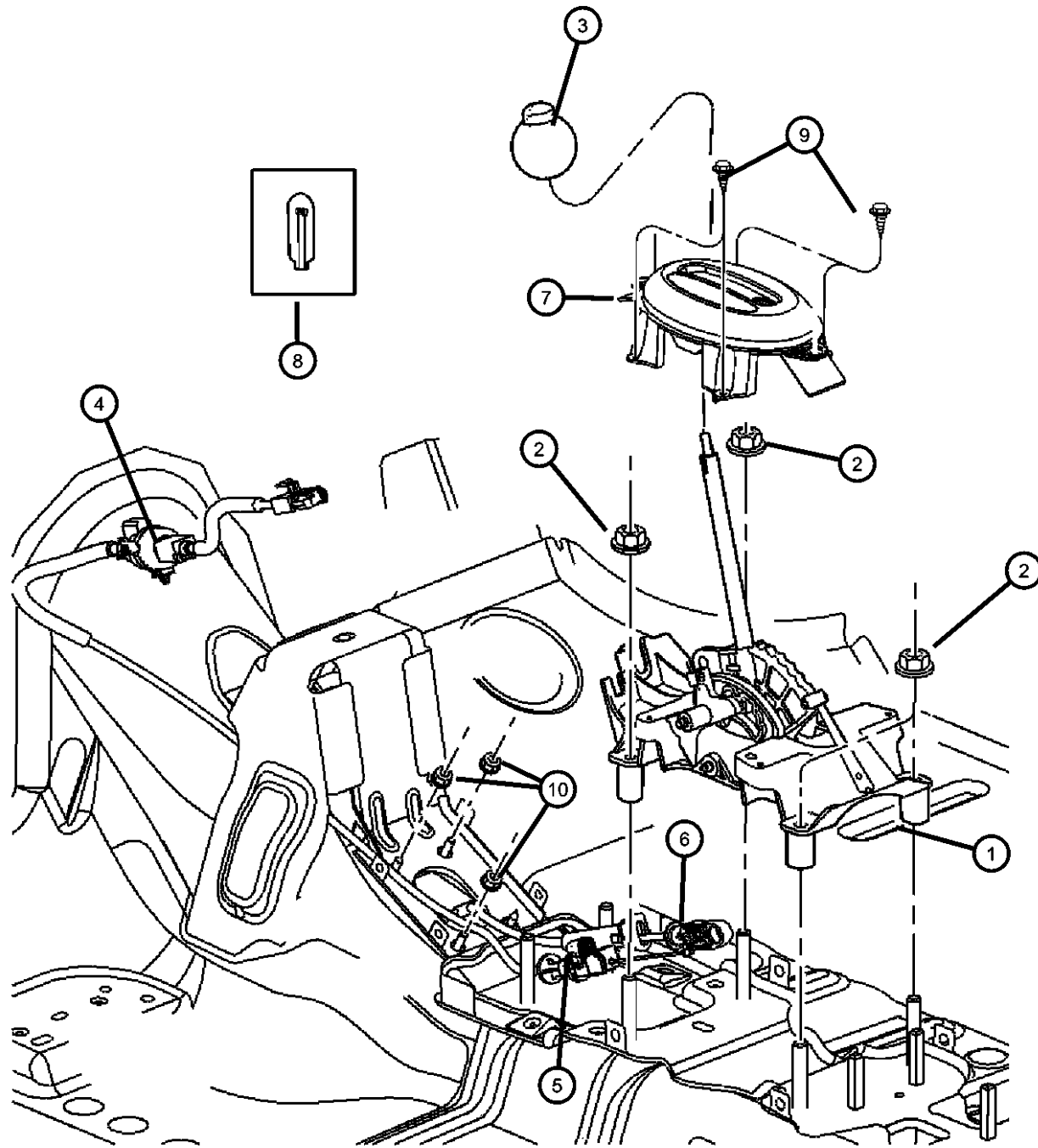
AR = use ase required - = Non illustrated part

2006 PT

Gearshift Control
Figure 40TE-AE-1220

ITEM	PART NUMBER	QTY	LINE	SERIES	BODY	ENGINE	TRANS	TRIM	DESCRIPTION
------	-------------	-----	------	--------	------	--------	-------	------	-------------

8	L0000194	1					DGL		BULB, 194
9	L0000194	1							SCREW, [M5X1.81X15], (NOT SERVICED)
10	06502676	1							NUT, Hex, M6x1.00



PT CRUISER (PT)

SERIES LINE
H = HIGHLINE C = CHRYSLER
P = PREMIUM Z = CHRYSLER (RHD)
S = SPORT
X = SPECIAL

BODY
27 = 2-DR CONVERTIBLE
44 = HATCHBACK/QUAD
CAB CHASSIS LWB

ENGINE
EDJ = 2.2L 4 Cyl Turbo Diesel Engine
EDT = 2.4L 4 Cyl DOHC 16V Turbo Engine
EDV = 2.4L 4 Cyl DOHC 16V HO Turbo Engine
EDZ = 2.4L 4 Cyl DOHC 16V SMPI Engine
EJD = 1.6L 4 Cyl SOHC 16V SMPI

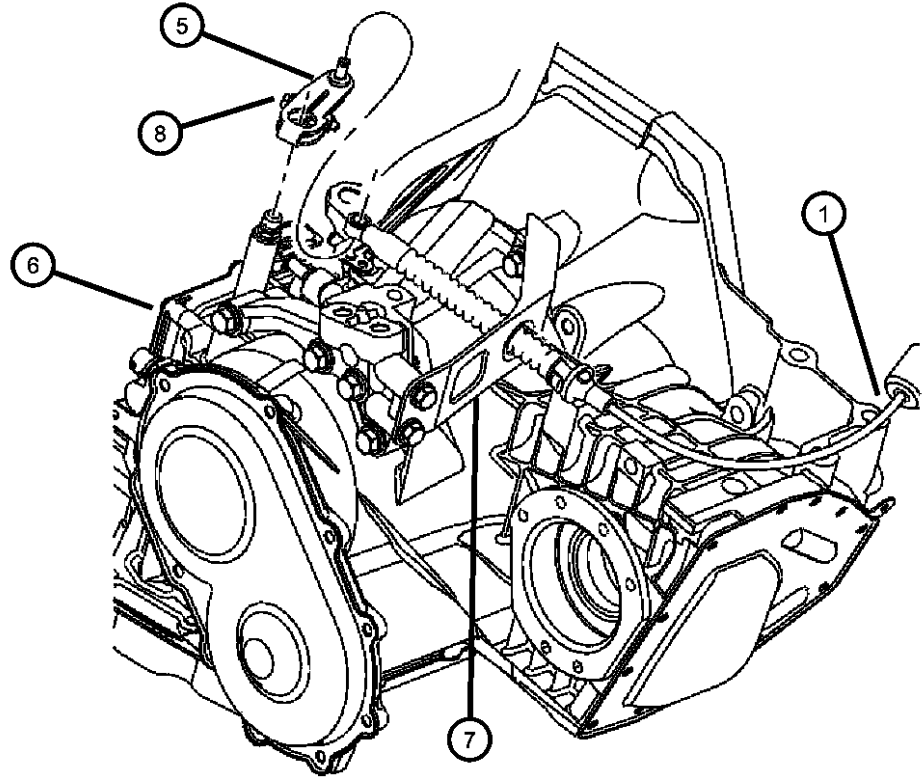
TRANSMISSION
DGL = 4-Speed Automatic Transmission
DD5 = 5-Speed Manual Transmission
DDD = 5-Speed HD Manual Transmission

AR = use ase required - = Non illustrated part

2006 PT

Shifter Lever & Cable
Figure 40TE-AE-1230

ITEM	PART NUMBER	QTY	LINE	SERIES	BODY	ENGINE	TRANS	TRIM	DESCRIPTION
------	-------------	-----	------	--------	------	--------	-------	------	-------------



NOTE: PLEASE OBTAIN [PK] NUMBER TO ORDER CORRECT TRANSMISSION ASSEMBLY FOR THE [40TE]. [40TE] TRANSMISSIONS ARE WITH THE [41TE] EVEN IF THEY HAVE THE SAME SALES CODE [DGL].

Sales Codes:

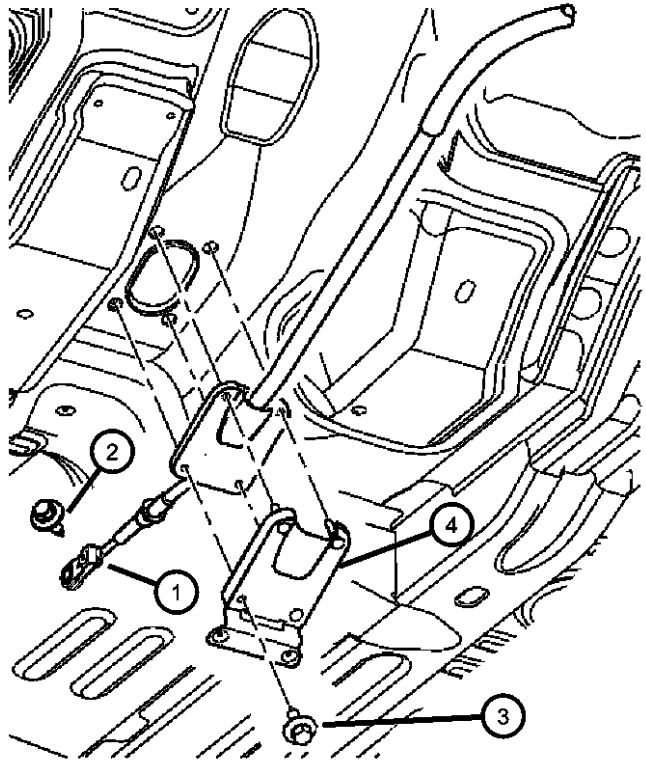
[DGL]=4 Speed Automatic Transmission - [40TE-AE]

[EDJ]=2.2L 4 Cyl. Turbo Diesel Engine

[EJD]=1.6L 4 Cyl. SOHC 16V Engine

[EDZ]=2.4L 4 Cyl. DOHC 16V Engine

1	05274750AF	1				EDJ, EDZ, EJD	DGL		CABLE, Gearshift Control
2	06500776	1				EDJ, EDZ, EJD	DGL		SCREW AND WASHER, Hex Head, M5x.8x14
3	06034716	1							SCREW AND WASHER, Hex Flange Head, .25-14x.875
4	04670042AG	1							PLATE, Transmission Shifter
5	04670322	1					DGL		LEVER, Manual Control
6	04670322	1							TRANSMISSION, 4 Speed, See Illustration 110, (NOT SERVICED)
7	04668629AB	1					DGL		BRACKET, Engine Mount
8	06101978	1					DGL		SCREW AND WASHER, Hex Head, M8-1.25x40



PT CRUISER (PT)

SERIES	LINE
H = HIGHLINE	C = CHRYSLER
P = PREMIUM	Z = CHRYSLER (RHD)
S = SPORT	
X = SPECIAL	

BODY
27 = 2-DR CONVERTIBLE
44 = HATCHBACK/QUAD CAB CHASSIS LWB

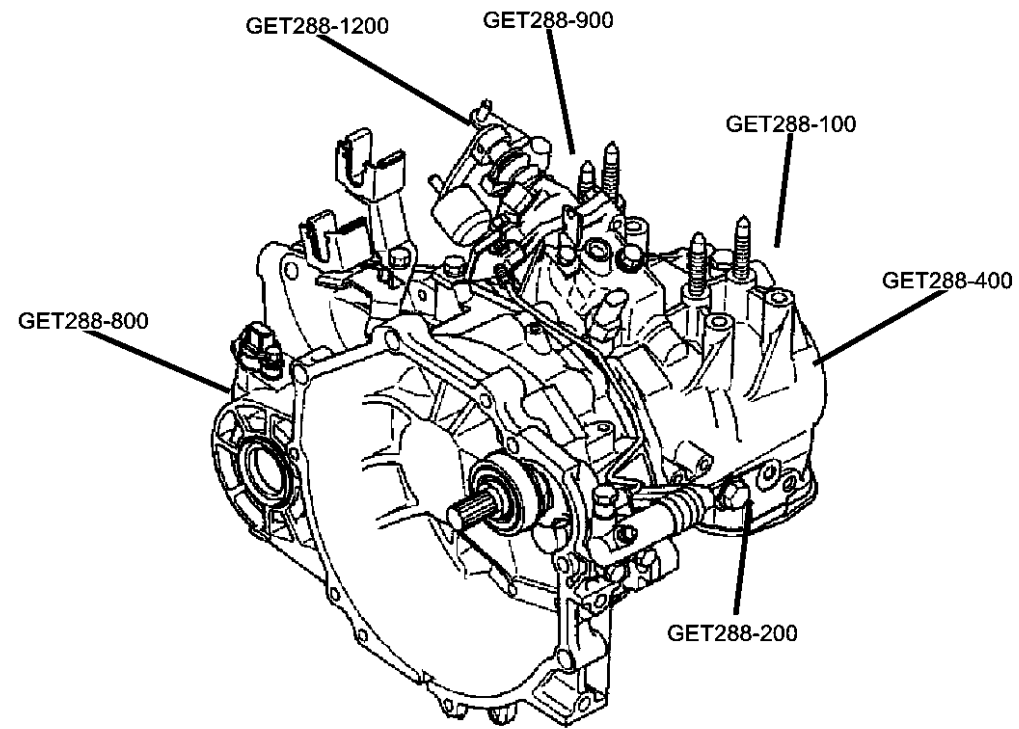
ENGINE	TRANSMISSION
EDJ = 2.2L 4 Cyl Turbo Diesel Engine	DGL = 4-Speed Automatic Transmission
EDT = 2.4L 4 Cyl DOHC 16V Turbo Engine	DD5 = 5-Speed Manual Transmission
EDV = 2.4L 4 Cyl DOHC 16V HO Turbo Engine	DDD = 5-Speed HD Manual Transmission
EDZ = 2.4L 4 Cyl DOHC 16V SMPI Engine	
EJD = 1.6L 4 Cyl SOHC 16V SMPI	

AR = use ase required - = Non illustrated part

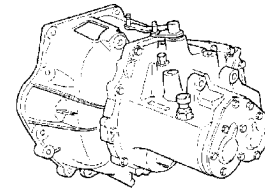
2006 PT

Group - GET288

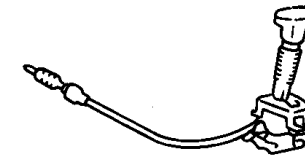
Getrag Manual Transaxle 5 Speed



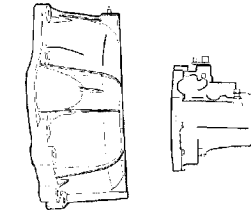
GET288-100
Transaxle Assembly



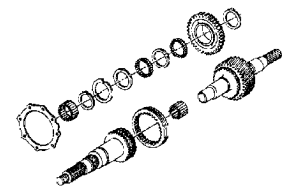
GET288-1200
Gearshift Controls



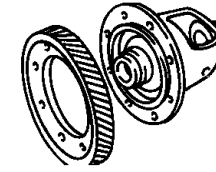
GET288-200
Case and Extension



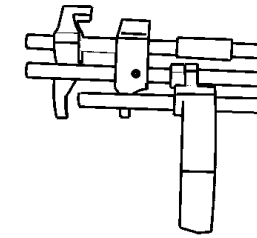
GET288-400
Gear Train



GET288-800
Differential



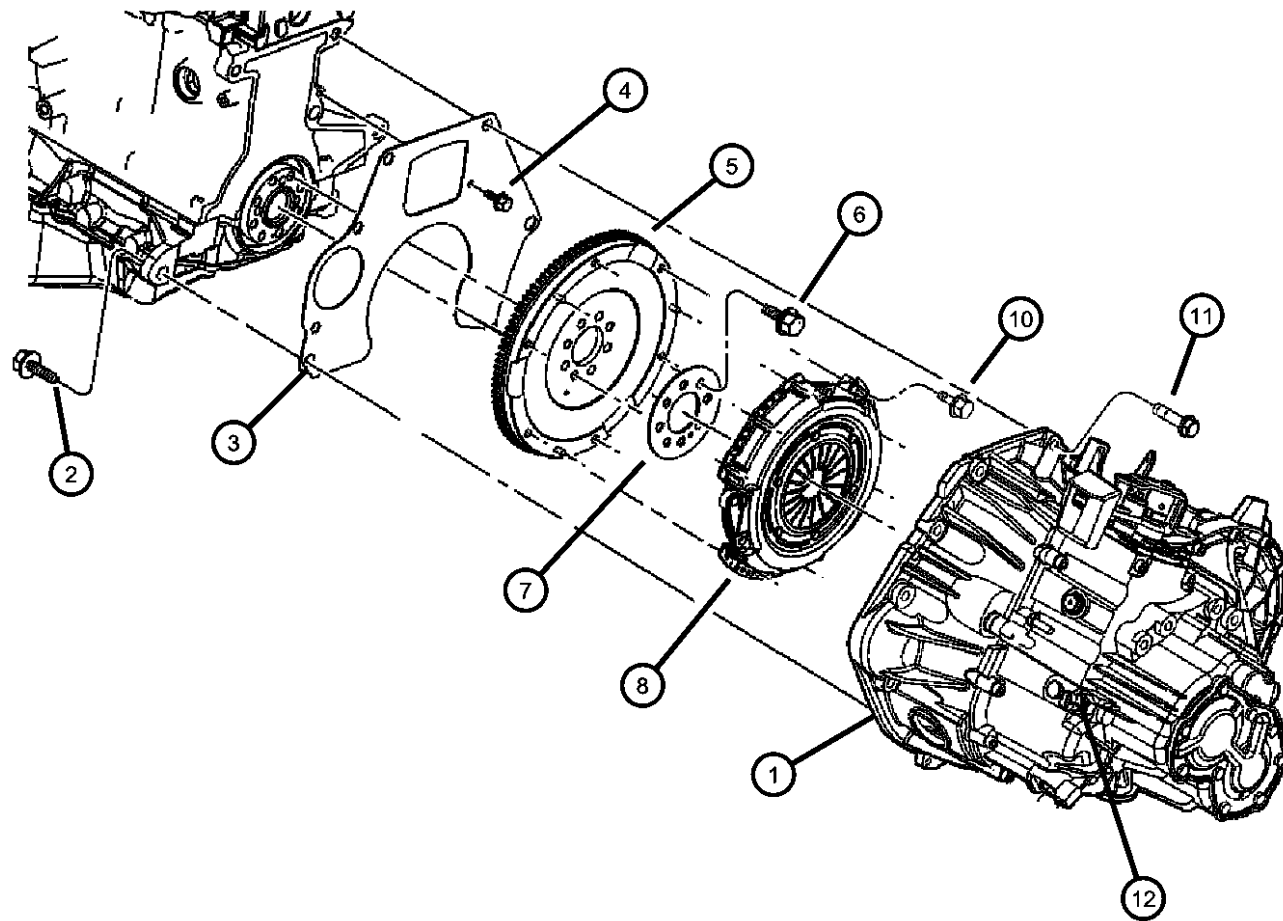
GET288-900
Fork and Rails



Group - GET288 Getrag Manual Transaxle 5 Speed

Illustration Title	Group-Fig. No.
Transaxle Assembly	
Transaxle Assembly	Fig. GET288 - 110
Transaxle Assembly	Fig. GET288 - 120
Case and Extension	
Clutch Housing & Front Case	Fig. GET288 - 210
Rear Case & Cover	Fig. GET288 - 220
Collar, Structural.....	Fig. GET288 - 230
Gear Train	
Input & Reverse Shaft	Fig. GET288 - 410
Intermediate Shaft.....	Fig. GET288 - 420
Differential	
Differential	Fig. GET288 - 810
Fork and Rails	
Fork & Rails.....	Fig. GET288 - 910
Fork Controls	Fig. GET288 - 920
Gearshift Controls	
Gear Shifter.....	Fig. GET288 - 1210
Mounting, Gear Shifter Cable	Fig. GET288 - 1220

**Transaxle Assembly
Figure GET288-110**



ITEM	PART NUMBER	QTY	LINE	SERIES	BODY	ENGINE	TRANS	TRIM	DESCRIPTION
------	-------------	-----	------	--------	------	--------	-------	------	-------------

NOTE:

Sales Codes:

[DDD]=5 Speed Heavy Duty Manual Transmission

[EDT]=2.4L 4 Cyl. DOHC 16V Turbo Engine

[EDV]=2.4L 4 Cyl. DOHC 16V High Output Turbo Engine

[EDZ]=2.4L 4 Cyl. DOHC 16V Engine

[EJD]=1.6L 4 Cyl. SOHC 16V Engine

1	05273472AB	1				EDV	DDD		TRANSMISSION
2	06501742	3				EDV	DDD		SCREW, Hex Head, M12x1.75x50
3	04593175	1				EDV	DDD		COVER, Transmission Dust
4	06501755	2							SCREW AND WASHER, Hex Head, M6x1x16
5	05062017AC	1				EDV	DDD		FLYWHEEL
6	06503465	8				EDT, EDV, EDZ, EJD			BOLT, Drive Plate and Flywheel
7	04471933	1				EDT, EDV, EDZ			PLATE, Drive Plate Backing
8	05103260AB	1				EDV	DDD		CLUTCH KIT, Manual Transmission
-9	05062015AB	1				EDV	DDD		DISC, Clutch
10	06101727	6				EDV	DDD		BOLT, Hex Head
11	06501742	3				EDV	DDD		SCREW, Hex Head, M12x1.75x50
12	05083756AA	1				EDV	DDD		SWITCH, Back Up Lamp

PT CRUISER (PT)

SERIES LINE
H = HIGHLINE C = CHRYSLER
P = PREMIUM Z = CHRYSLER (RHD)
S = SPORT
X = SPECIAL

BODY
27 = 2-DR CONVERTIBLE
44 = HATCHBACK/QUAD
CAB CHASSIS LWB

ENGINE
EDJ = 2.2L 4 Cyl Turbo Diesel Engine
EDT = 2.4L 4 Cyl DOHC 16V Turbo Engine
EDV = 2.4L 4 Cyl DOHC 16V HO Turbo Engine
EDZ = 2.4L 4 Cyl DOHC 16V SMPI Engine
EJD = 1.6L 4 Cyl SOHC 16V SMPI

TRANSMISSION
DGL = 4-Speed Automatic Transmission
DD5 = 5-Speed Manual Transmission
DDD = 5-Speed HD Manual Transmission

AR = use ase required - = Non illustrated part

2006 PT

Transaxle Assembly
Figure GET288-120

ITEM	PART NUMBER	QTY	LINE	SERIES	BODY	ENGINE	TRANS	TRIM	DESCRIPTION
------	-------------	-----	------	--------	------	--------	-------	------	-------------

NOTE:

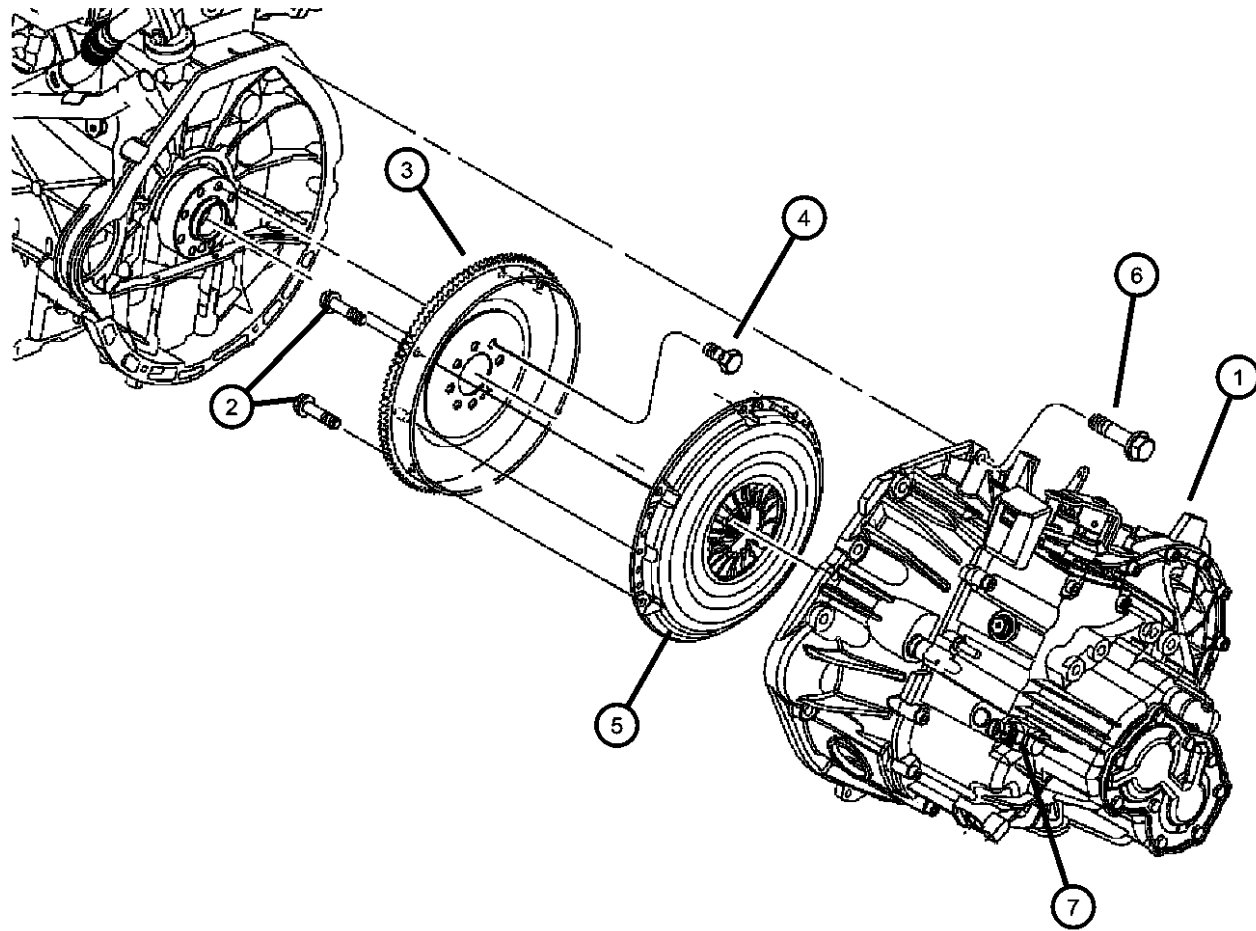
Sales Codes:

[DDD]=5 Speed Heavy Duty Manual Transmission

[EDJ]=2.2L 4 Cylinder Turbo Diesel Engine

[DD5]=5 Speed Manual Transmission

1	05273474AB	1				EDJ	DDD		TRANSMISSION
2	06507202AA	6				EDJ	DDD		SCREW, Hex Head
3	05073609AA	1				EDJ			FLYWHEEL
4	05073700AB	8				EDJ			SCREW
5	04668725AE	1				EDJ	DDD		PLATE, Clutch Pressure
6	06101054	6				EDJ	DD5, DDD		BOLT AND WASHER, Hex Head, M10x1.5x40
7	05083756AA	1				EDJ	DDD		SWITCH, Back Up Lamp
-8	05083757AA	1				EDJ	DDD		VENT, Cap
-9	05103476AA	1				EDJ	DDD		CAP



PT CRUISER (PT)

SERIES LINE
H = HIGHLINE C = CHRYSLER
P = PREMIUM Z = CHRYSLER (RHD)
S = SPORT
X = SPECIAL

BODY
27 = 2-DR CONVERTIBLE
44 = HATCHBACK/QUAD
CAB CHASSIS LWB

ENGINE TRANSMISSION
EDJ = 2.2L 4 Cyl Turbo Diesel Engine
EDT = 2.4L 4 Cyl DOHC 16V Turbo Engine
EDV = 2.4L 4 Cyl DOHC 16V HO Turbo Engine
EDZ = 2.4L 4 Cyl DOHC 16V SMPI Engine
EJD = 1.6L 4 Cyl SOHC 16V SMPI
DGL = 4-Speed Automatic Transmission
DD5 = 5-Speed Manual Transmission
DDD = 5-Speed HD Manual Transmission

AR = use ase required - = Non illustrated part

2006 PT

**Clutch Housing & Front Case
Figure GET288-210**

ITEM	PART NUMBER	QTY	LINE	SERIES	BODY	ENGINE	TRANS	TRIM	DESCRIPTION
------	-------------	-----	------	--------	------	--------	-------	------	-------------

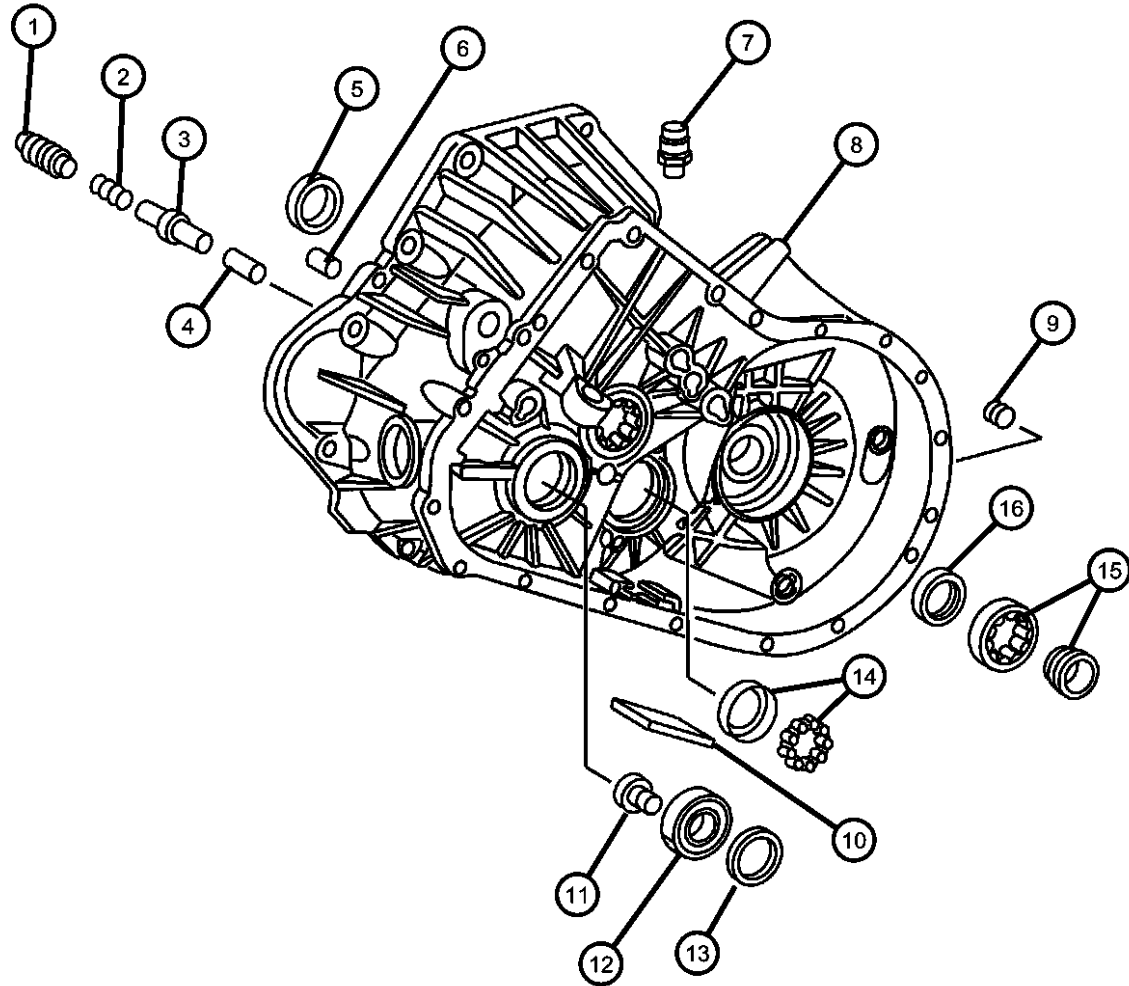
NOTE:

Sales Codes:

[DDD]=5 Speed Heavy Duty Manual Transmission - [G288]

[EDV]=2.4L 4 Cyl. DOHC Turbo Engine

[EDJ]=2.2L 4 Cyl. Turbo Diesel Engine



1									PLUG
	05083755AA	1				EDV	DDD		
		1				EDJ	DDD		
2									SPRING, Reverse Inhibitor
	05083946AA	1				EDV	DDD		
		1				EDJ	DDD		
3									PIN
	05083754AA	1				EDV	DDD		
		1				EDJ	DDD		
4									BUSHING, Shift Rail
	05083945AA	1				EDV	DDD		
		1				EDJ	DDD		
5									SEAL
	05083952AA	1				EDV	DDD		
		1				EDJ	DDD		
6									DOWEL
	05083954AA	2				EDV	DDD		
		1				EDJ	DDD		
7									VENT, Cap
	05083757AA	1				EDV	DDD		
		1				EDJ	DDD		
8									HOUSING, Clutch
	05083752AB	1				EDJ	DDD		
	05175700AA	1				EDV	DDD		
9									PLUG
	05083947AA	2				EDV	DDD		
		2				EDJ	DDD		
10									MAGNET, Transmission

PT CRUISER (PT)

SERIES LINE
H = HIGHLINE C = CHRYSLER
P = PREMIUM Z = CHRYSLER (RHD)
S = SPORT
X = SPECIAL

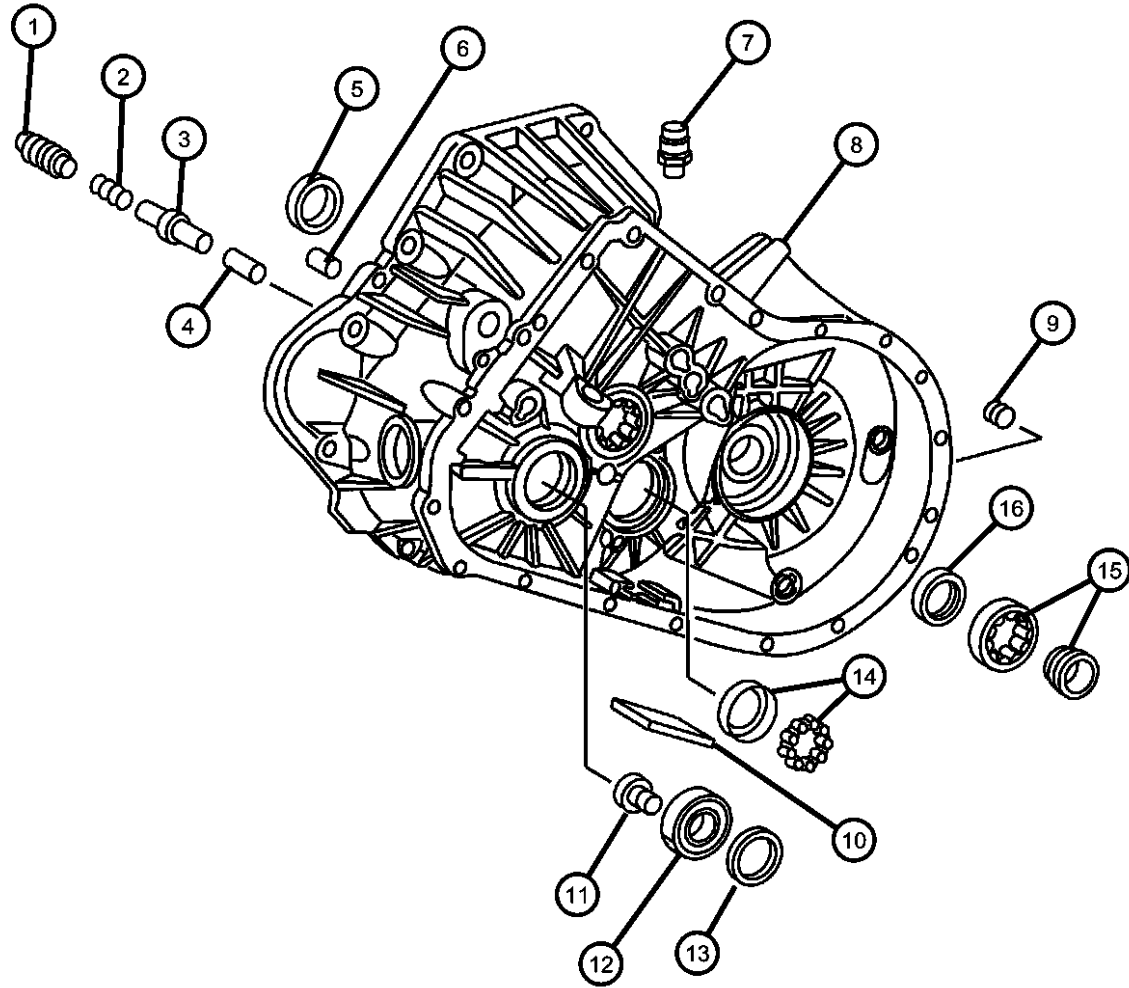
BODY
27 = 2-DR CONVERTIBLE
44 = HATCHBACK/QUAD
CAB CHASSIS LWB

ENGINE TRANSMISSION
EDJ = 2.2L 4 Cyl Turbo Diesel Engine
EDT = 2.4L 4 Cyl DOHC 16V Turbo Engine
EDV = 2.4L 4 Cyl DOHC 16V HO Turbo Engine
EDZ = 2.4L 4 Cyl DOHC 16V SMPI Engine
EJD = 1.6L 4 Cyl SOHC 16V SMPI
DGL = 4-Speed Automatic Transmission
DD5 = 5-Speed Manual Transmission
DDD = 5-Speed HD Manual Transmission

AR = use ase required - = Non illustrated part

2006 PT

**Clutch Housing & Front Case
Figure GET288-210**



ITEM	PART NUMBER	QTY	LINE	SERIES	BODY	ENGINE	TRANS	TRIM	DESCRIPTION
	05083758AA	1				EDV	DDD		
		1				EDJ	DDD		
11	05086075AA	1				EDV	DDD		PLUG
		1				EDJ	DDD		
12	05086074AA	1				EDV	DDD		BEARING
		1				EDJ	DDD		
13	05086087AA	1				EDV	DDD		WASHER
		1				EDJ	DDD		
14	05083769AA	1				EDV	DDD		RACE
		1				EDJ	DDD		
15	05083977AA	1				EDV	DDD		BEARING
		1				EDJ	DDD		
16	05083953AA	1				EDV	DDD		SEAL
		1				EDJ	DDD		
-17	05086060AA	1				EDV	DDD		PLUG
		1				EDJ	DDD		
-18	05103476AA	1				EDV	DDD		CAP
		1				EDJ	DDD		

PT CRUISER (PT)

SERIES LINE
H = HIGHLINE C = CHRYSLER
P = PREMIUM Z = CHRYSLER (RHD)
S = SPORT
X = SPECIAL

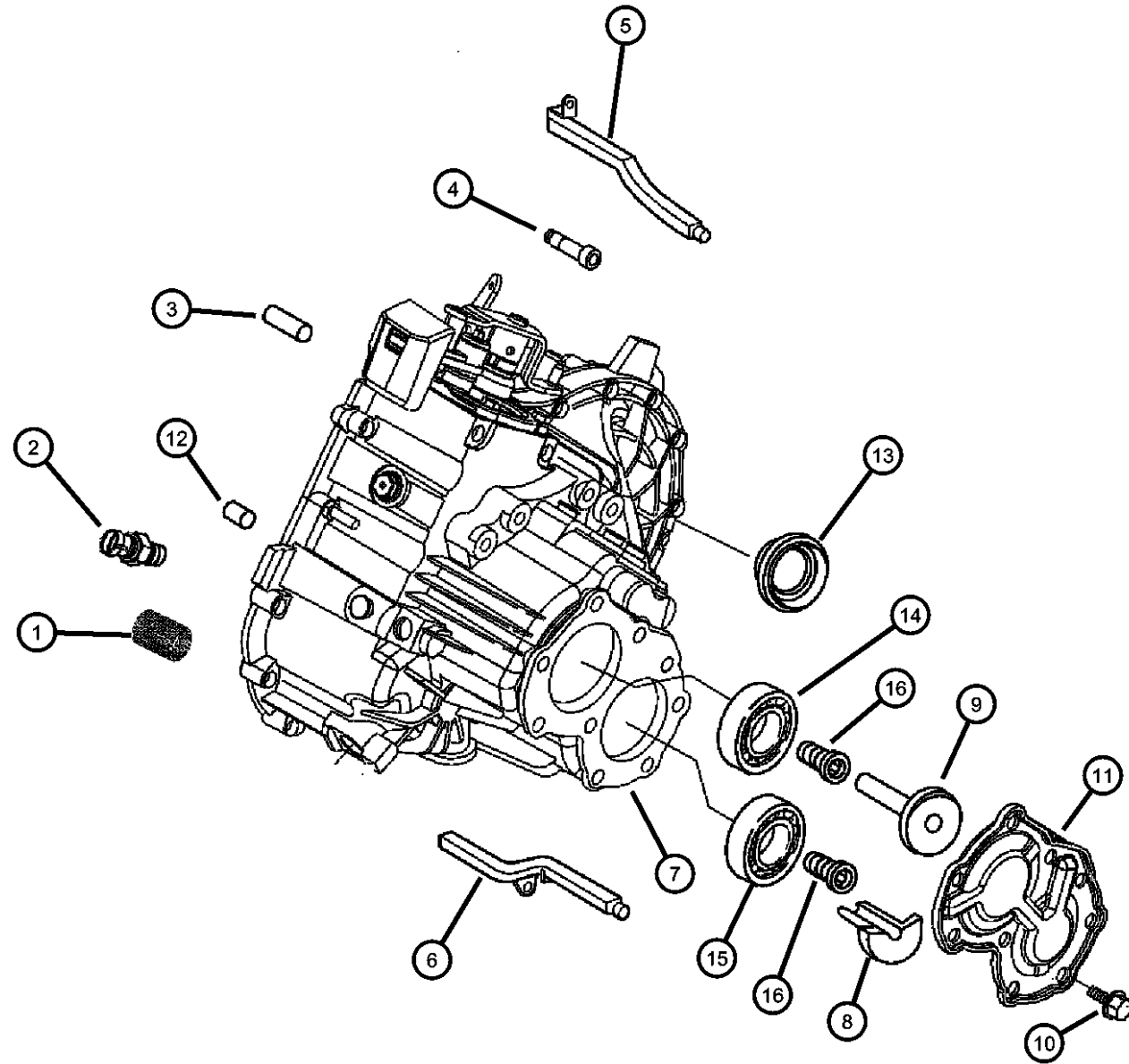
BODY
27 = 2-DR CONVERTIBLE
44 = HATCHBACK/QUAD
CAB CHASSIS LWB

ENGINE TRANSMISSION
EDJ = 2.2L 4 Cyl Turbo Diesel Engine
EDT = 2.4L 4 Cyl DOHC 16V Turbo Engine
EDV = 2.4L 4 Cyl DOHC 16V HO Turbo Engine
EDZ = 2.4L 4 Cyl DOHC 16V SMPI Engine
EJD = 1.6L 4 Cyl SOHC 16V SMPI
DGL = 4-Speed Automatic Transmission
DD5 = 5-Speed Manual Transmission
DDD = 5-Speed HD Manual Transmission

AR = use ase required - = Non illustrated part

2006 PT

Rear Case & Cover
Figure GET288-220



ITEM	PART NUMBER	QTY	LINE	SERIES	BODY	ENGINE	TRANS	TRIM	DESCRIPTION
1	05083810AA	1				EDV	DDD		NEEDLE BEARING
2	05083756AA	1				EDJ	DDD		SWITCH, Back Up Lamp
3	05083957AA	1				EDV	DDD		DOWEL
4	05083973AA	1				EDV	DDD		BOLT
5	05083763AA	1				EDV	DDD		TUBE, Oil Feed
6	05096106AA	1				EDV	DDD		TUBE, Oil Feed
7	05175781AA	1				EDV	DDD		CASE, Transaxle
8	05083761AA	1				EDV	DDD		TROUGH, Lubrication
9	05083762AA	1				EDV	DDD		TROUGH, Lubrication
10		1				EDJ	DDD		BOLT, Hex Head, M8x20

PT CRUISER (PT)

SERIES LINE
H = HIGHLINE C = CHRYSLER
P = PREMIUM Z = CHRYSLER (RHD)
S = SPORT
X = SPECIAL

BODY
27 = 2-DR CONVERTIBLE
44 = HATCHBACK/QUAD
CAB CHASSIS LWB

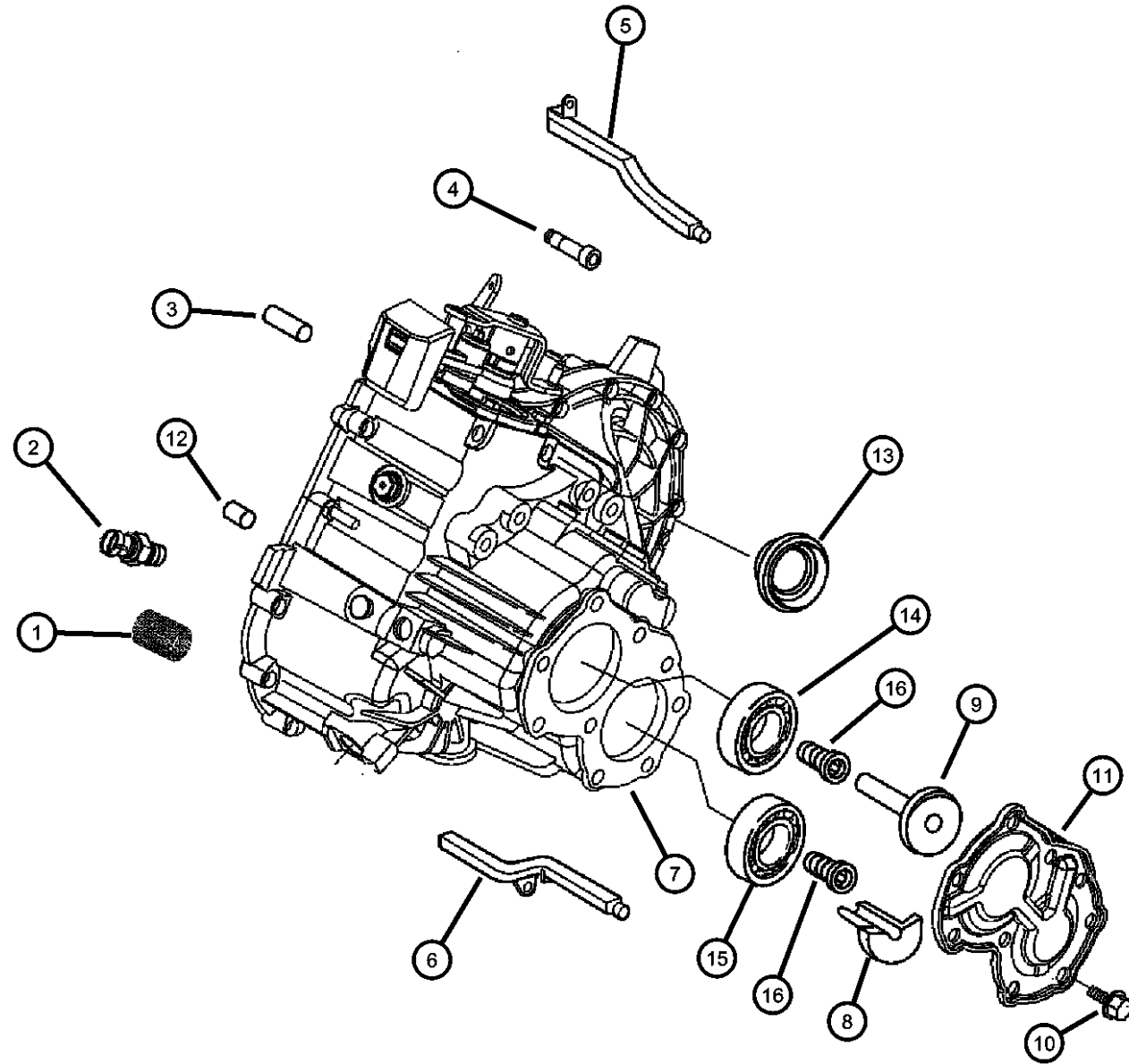
ENGINE
EDJ = 2.2L 4 Cyl Turbo Diesel Engine
EDT = 2.4L 4 Cyl DOHC 16V Turbo Engine
EDV = 2.4L 4 Cyl DOHC 16V HO Turbo Engine
EDZ = 2.4L 4 Cyl DOHC 16V SMPI Engine
EJD = 1.6L 4 Cyl SOHC 16V SMPI

TRANSMISSION
DGL = 4-Speed Automatic Transmission
DD5 = 5-Speed Manual Transmission
DDD = 5-Speed HD Manual Transmission

AR = use ase required - = Non illustrated part

2006 PT

Rear Case & Cover
Figure GET288-220



ITEM	PART NUMBER	QTY	LINE	SERIES	BODY	ENGINE	TRANS	TRIM	DESCRIPTION
	05083960AA	9				EDV	DDD		
		9				EDJ	DDD		
11	05083959AA	1				EDV	DDD		COVER
		1				EDJ	DDD		
12	05083954AA	1				EDJ	DDD		DOWEL
		1				EDV	DDD		
13	05083953AA	1				EDV	DDD		SEAL
		1				EDJ	DDD		
14	05083772AA	1				EDV	DDD		BEARING, Ball
		1				EDJ	DDD		
15	05083772AA	1				EDV	DDD		BEARING, Ball
		1				EDJ	DDD		
16	05086060AA	1				EDV	DDD		PLUG, Screw
-17	05096105AA	1				EDV	DDD		PLUG, Fill Port
		1				EDJ	DDD		

PT CRUISER (PT)

SERIES LINE
H = HIGHLINE C = CHRYSLER
P = PREMIUM Z = CHRYSLER (RHD)
S = SPORT
X = SPECIAL

BODY
27 = 2-DR CONVERTIBLE
44 = HATCHBACK/QUAD
CAB CHASSIS LWB

ENGINE TRANSMISSION
EDJ = 2.2L 4 Cyl Turbo Diesel Engine
EDT = 2.4L 4 Cyl DOHC 16V Turbo Engine
EDV = 2.4L 4 Cyl DOHC 16V HO Turbo Engine
EDZ = 2.4L 4 Cyl DOHC 16V SMPI Engine
EJD = 1.6L 4 Cyl SOHC 16V SMPI
DGL = 4-Speed Automatic Transmission
DD5 = 5-Speed Manual Transmission
DDD = 5-Speed HD Manual Transmission

AR = use ase required - = Non illustrated part

2006 PT

Collar, Structural
Figure GET288-230

ITEM	PART NUMBER	QTY	LINE	SERIES	BODY	ENGINE	TRANS	TRIM	DESCRIPTION
------	-------------	-----	------	--------	------	--------	-------	------	-------------

NOTE:

Sales Codes:

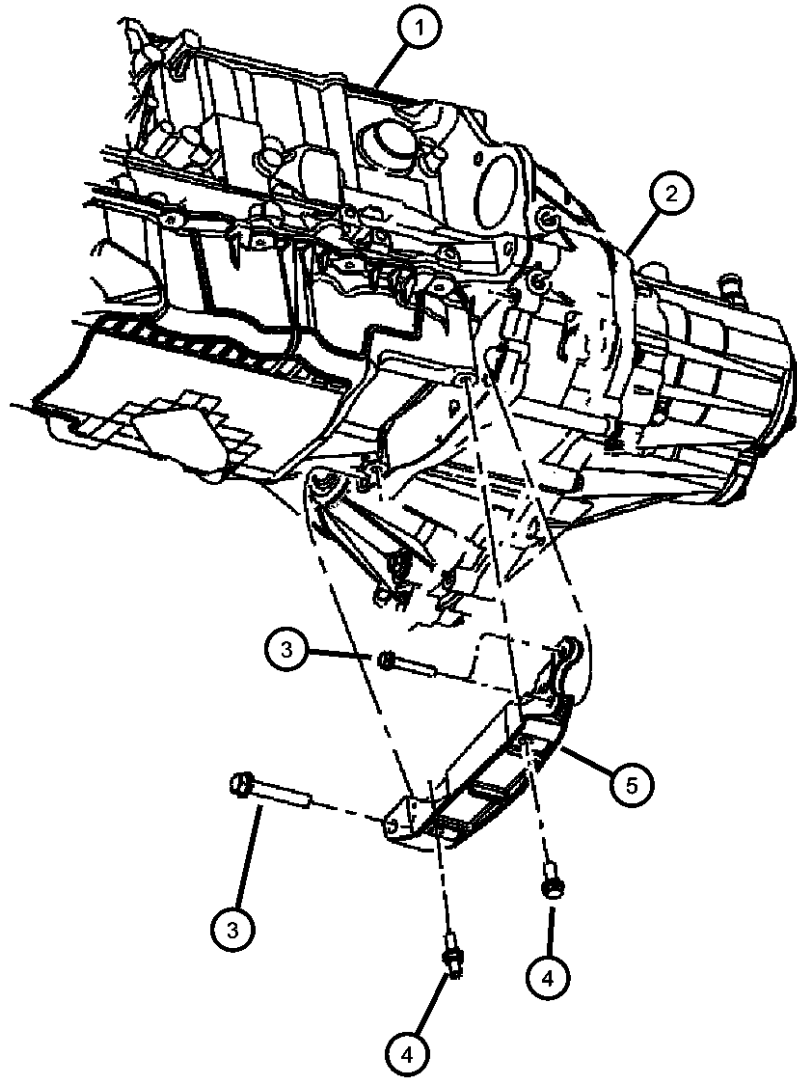
[DDD]=5 Speed Heavy Duty Manual Transaxle

[DGL]=4 Speed Automatic Transaxle - [40TE / 41TE]

[EDT]=2.4L 4 Cyl. DOHC 16V Turbo Engine

[EDV]=2.4L 4 Cyl. DOHC 16V High Output Turbo Engine

[EDZ]=2.4L 4 Cyl. DOHC 16V Engine



1		1							ENGINE, Complete, See Engine Group, (NOT SERVICED)
2	05273472AB	1				EDV	DDD		TRANSMISSION
3	06101962	1				EDT, EDV, EDZ			BOLT, Hex Flange Head
4	06502564	1				EDT, EDV	DDD, DGL		STUD, M10-1.50/M8-1.25x54
5	04891641AA	1				EDT, EDV, EDZ	DDD, DGL		COLLAR, Structural, Oil Pan To Transmission

PT CRUISER (PT)

SERIES	LINE
H = HIGHLINE	C = CHRYSLER
P = PREMIUM	Z = CHRYSLER (RHD)
S = SPORT	
X = SPECIAL	

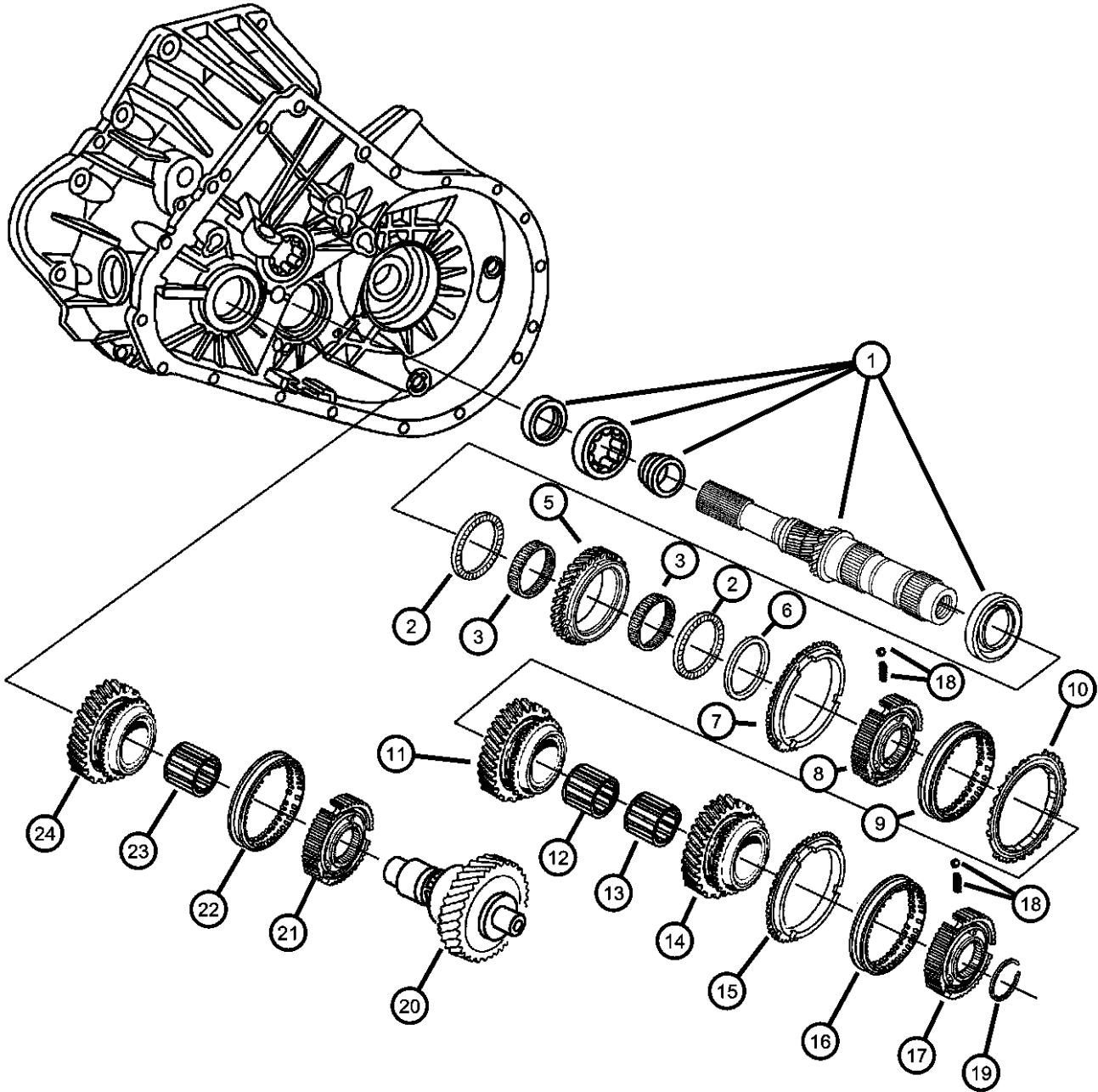
BODY
27 = 2-DR CONVERTIBLE
44 = HATCHBACK/QUAD CAB CHASSIS LWB

ENGINE	TRANSMISSION
EDJ = 2.2L 4 Cyl Turbo Diesel Engine	DGL = 4-Speed Automatic Transmission
EDT = 2.4L 4 Cyl DOHC 16V Turbo Engine	DD5 = 5-Speed Manual Transmission
EDV = 2.4L 4 Cyl DOHC 16V HO Turbo Engine	DDD = 5-Speed HD Manual Transmission
EDZ = 2.4L 4 Cyl DOHC 16V SMPI Engine	
EJD = 1.6L 4 Cyl SOHC 16V SMPI	

AR = use ase required - = Non illustrated part

2006 PT

**Input & Reverse Shaft
Figure GET288-410**



ITEM	PART NUMBER	QTY	LINE	SERIES	BODY	ENGINE	TRANS	TRIM	DESCRIPTION
1									SHAFT, Input
	05083976AA	1				EDJ	DDD		
	05096107AA	1				EDV	DDD		
2									NEEDLE BEARING
	05086056AA	1				EDV	DDD		
		1				EDJ	DDD		
3									NEEDLE BEARING
	05086057AB	1				EDV	DDD		
		2				EDJ	DDD		
-4									SHIM
	05083971AA	1				EDV	DDD		
		1				EDJ	DDD		
5									GEAR, Third
	05083805AA	1				EDV	DDD		
		1				EDJ	DDD		
6									THRUST WASHER
	05086055AA	1				EDV	DDD		
		1				EDJ	DDD		
7									STOP RING, Synchronizer
	05083806AB	1				EDV	DDD		
		1				EDJ	DDD		
8									HUB
	05086098AA	1				EDV	DDD		
		1				EDJ	DDD		
9									SLEEVE
	05086099AA	1				EDV	DDD		
		1				EDJ	DDD		
10									STOP RING, Synchronizer

PT CRUISER (PT)

SERIES LINE
H = HIGHLINE C = CHRYSLER
P = PREMIUM Z = CHRYSLER (RHD)
S = SPORT
X = SPECIAL

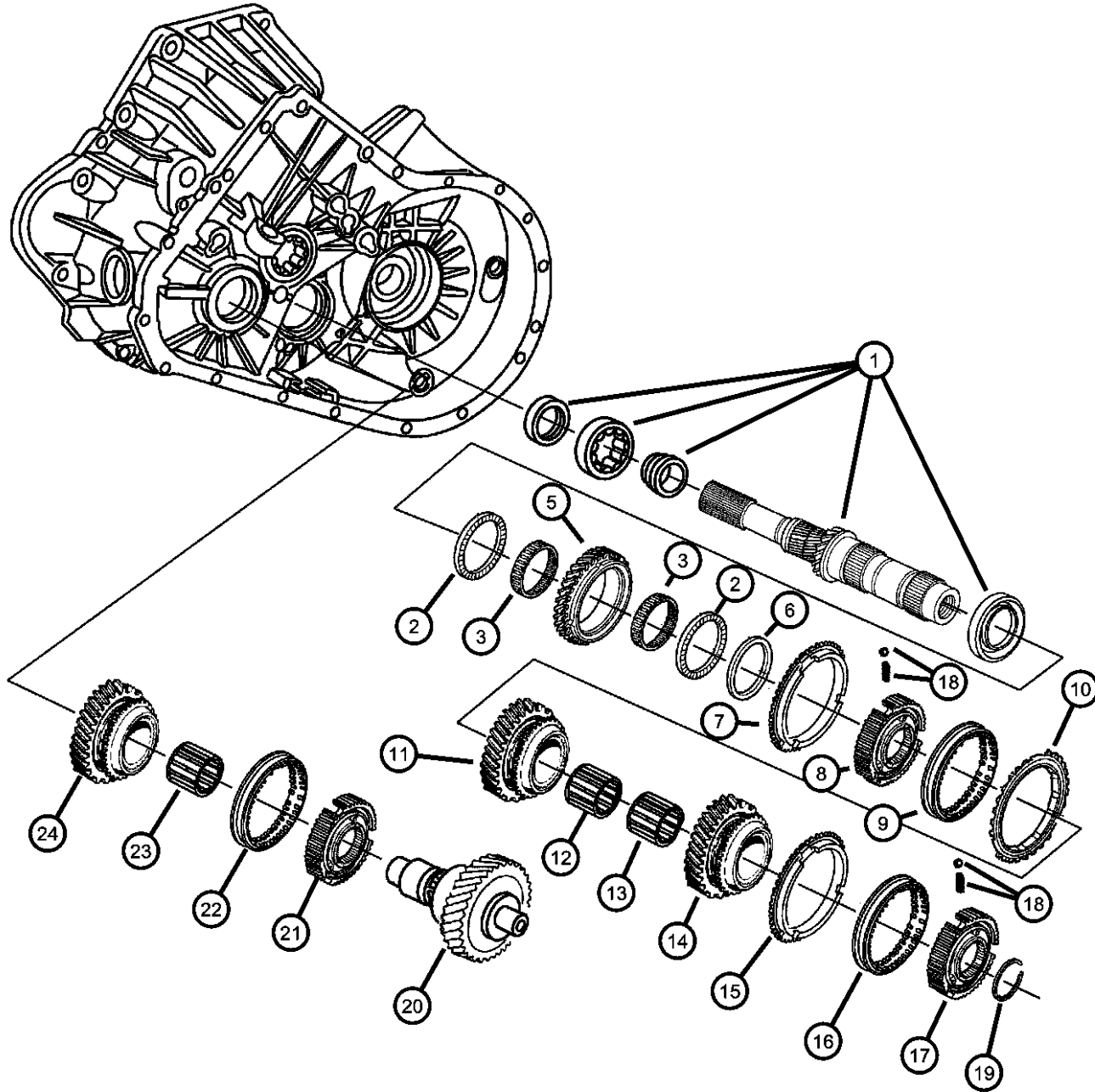
BODY
27 = 2-DR CONVERTIBLE
44 = HATCHBACK/QUAD
CAB CHASSIS LWB

ENGINE
EDJ = 2.2L 4 Cyl Turbo Diesel Engine
EDT = 2.4L 4 Cyl DOHC 16V Turbo Engine
EDV = 2.4L 4 Cyl DOHC 16V HO Turbo Engine
EDZ = 2.4L 4 Cyl DOHC 16V SMPI Engine
EJD = 1.6L 4 Cyl SOHC 16V SMPI

TRANSMISSION
DGL = 4-Speed Automatic Transmission
DD5 = 5-Speed Manual Transmission
DDD = 5-Speed HD Manual Transmission

AR = use ase required - = Non illustrated part

**Input & Reverse Shaft
Figure GET288-410**



ITEM	PART NUMBER	QTY	LINE	SERIES	BODY	ENGINE	TRANS	TRIM	DESCRIPTION
	05083806AB	1				EDV	DDD		
		1				EDJ	DDD		
11	05083809AA	1				EDJ	DDD		GEAR, Fourth
	05096114AA	1				EDV	DDD		
12	05086058AA	1				EDV	DDD		NEEDLE BEARING
		1				EDJ	DDD		
13	05083810AA	1				EDV	DDD		NEEDLE BEARING
		1				EDJ	DDD		
14	05083811AA	1				EDJ	DDD		GEAR, Fifth
	05096115AA	1				EDV	DDD		
15	05083806AB	1				EDV	DDD		STOP RING, Synchronizer
		2				EDJ	DDD		
16	05086101AA	1				EDV	DDD		HUB
		1				EDJ	DDD		
17	05086102AA	1				EDV	DDD		SLEEVE
		1				EDJ	DDD		
18	05086100AA	3				EDV	DDD		KEY, Synchronizer
		3				EDJ	DDD		
19	05086059AA	1				EDV	DDD		RING
		1				EDJ	DDD		
20	05086073AA	1				EDV	DDD		SHAFT

PT CRUISER (PT)

SERIES LINE
H = HIGHLINE C = CHRYSLER
P = PREMIUM Z = CHRYSLER (RHD)
S = SPORT
X = SPECIAL

BODY
27 = 2-DR CONVERTIBLE
44 = HATCHBACK/QUAD
CAB CHASSIS LWB

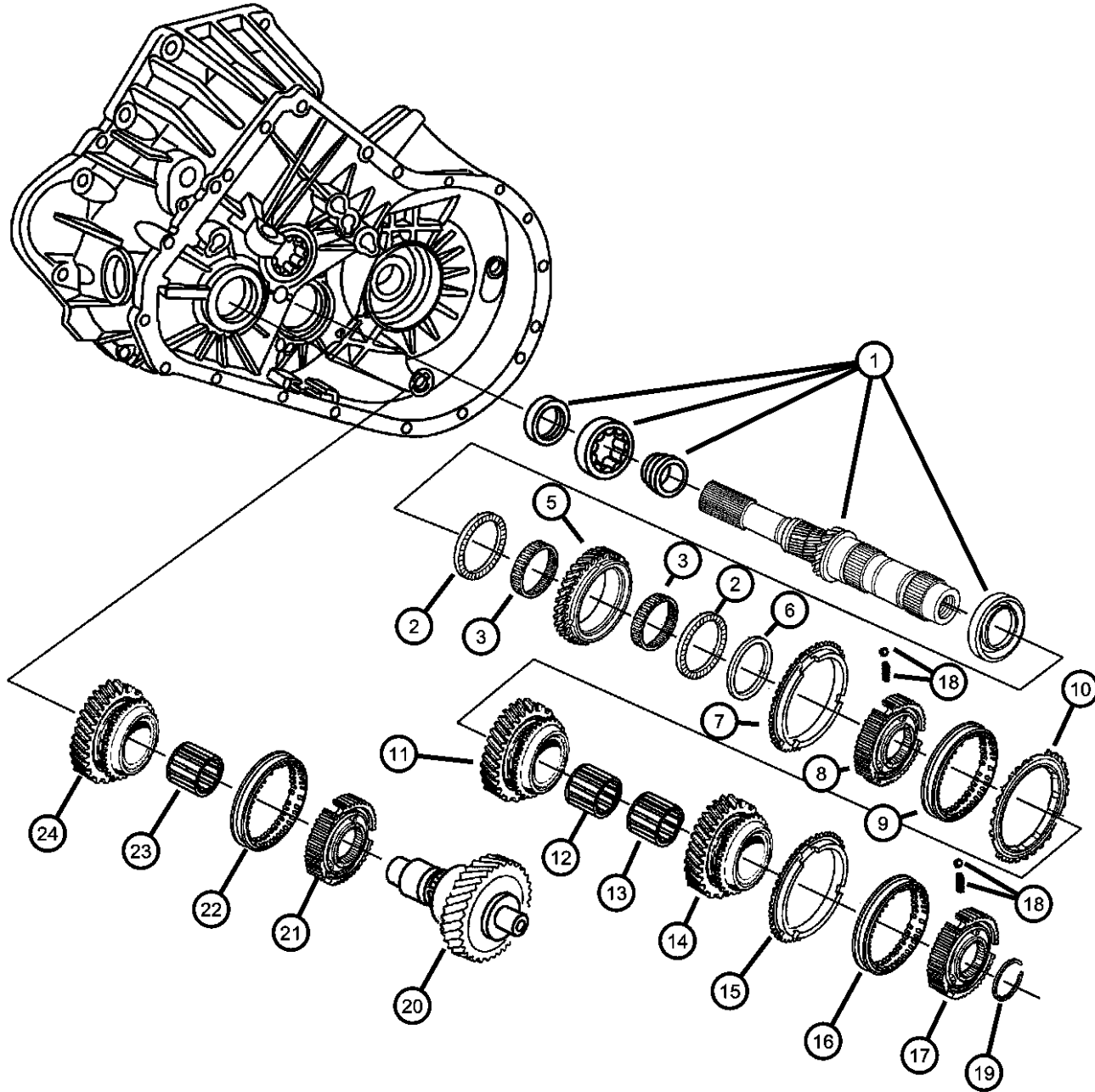
ENGINE
EDJ = 2.2L 4 Cyl Turbo Diesel Engine
EDT = 2.4L 4 Cyl DOHC 16V Turbo Engine
EDV = 2.4L 4 Cyl DOHC 16V HO Turbo Engine
EDZ = 2.4L 4 Cyl DOHC 16V SMPI Engine
EJD = 1.6L 4 Cyl SOHC 16V SMPI

TRANSMISSION
DGL = 4-Speed Automatic Transmission
DD5 = 5-Speed Manual Transmission
DDD = 5-Speed HD Manual Transmission

AR = use ase required - = Non illustrated part

**Input & Reverse Shaft
Figure GET288-410**

ITEM	PART NUMBER	QTY	LINE	SERIES	BODY	ENGINE	TRANS	TRIM	DESCRIPTION
21		1				EDJ	DDD		RING, Blocker
	05086071AA	1				EDV	DDD		
22		1				EDJ	DDD		SLEEVE, Reverse
	05086072AA	1				EDV	DDD		
23		1				EDJ	DDD		NEEDLE BEARING
	05083871AA	1				EDV	DDD		
24		1				EDJ	DDD		GEAR, Reverse
	05083870AA	1				EDV	DDD		
	05096130AA	1				EDV	DDD		



PT CRUISER (PT)

SERIES LINE
H = HIGHLINE C = CHRYSLER
P = PREMIUM Z = CHRYSLER (RHD)
S = SPORT
X = SPECIAL

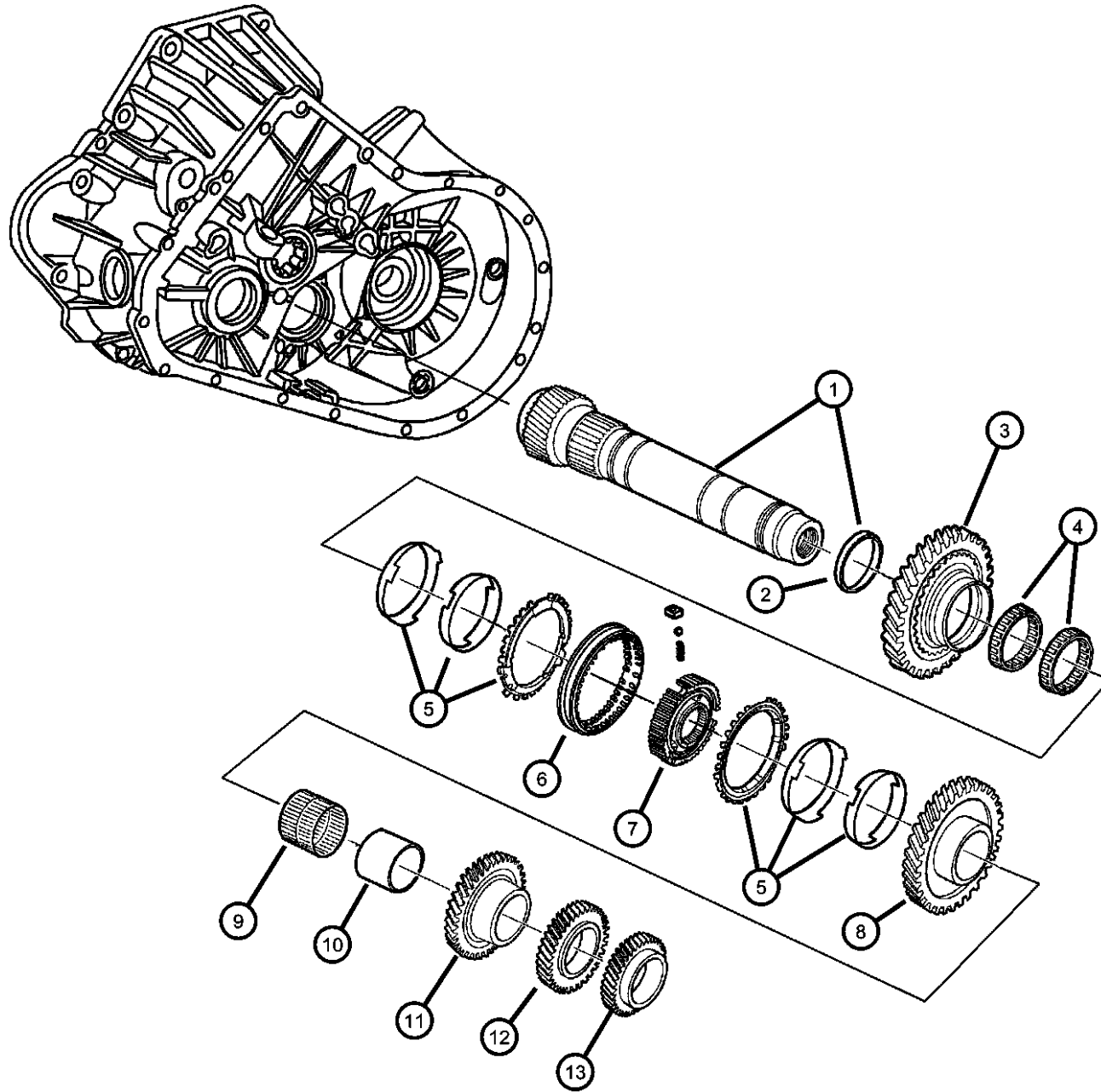
BODY
27 = 2-DR CONVERTIBLE
44 = HATCHBACK/QUAD
CAB CHASSIS LWB

ENGINE TRANSMISSION
EDJ = 2.2L 4 Cyl Turbo Diesel Engine
EDT = 2.4L 4 Cyl DOHC 16V Turbo Engine
EDV = 2.4L 4 Cyl DOHC 16V HO Turbo Engine
EDZ = 2.4L 4 Cyl DOHC 16V SMPI Engine
EJD = 1.6L 4 Cyl SOHC 16V SMPI
DGL = 4-Speed Automatic Transmission
DD5 = 5-Speed Manual Transmission
DDD = 5-Speed HD Manual Transmission

AR = use ase required - = Non illustrated part

2006 PT

Intermediate Shaft
Figure GET288-420



ITEM	PART NUMBER	QTY	LINE	SERIES	BODY	ENGINE	TRANS	TRIM	DESCRIPTION
1	05086061AA	1				EDV	DDD		SHAFT, Intermediate
		1				EDJ	DDD		
2	05086062AA	1				EDV	DDD		WASHER
		1				EDJ	DDD		
3	05086064AA	1				EDJ	DDD		GEAR, First
	05096116AA	1				EDV	DDD		
4	05086063AA	1				EDV	DDD		BEARING
		1				EDJ	DDD		
5	05086065AA	1				EDV	DDD		RING, Blocker
		1				EDJ	DDD		
6	05086067AA	1				EDV	DDD		SLEEVE
		1				EDJ	DDD		
7	05086066AA	1				EDV	DDD		HUB
		1				EDJ	DDD		
8	05083812AA	1				EDJ	DDD		GEAR, Second
	05096127AA	1				EDV	DDD		
9	05086069AA	1				EDV	DDD		NEEDLE BEARING
		1				EDJ	DDD		
10									BUSHING

PT CRUISER (PT)

SERIES LINE
H = HIGHLINE C = CHRYSLER
P = PREMIUM Z = CHRYSLER (RHD)
S = SPORT
X = SPECIAL

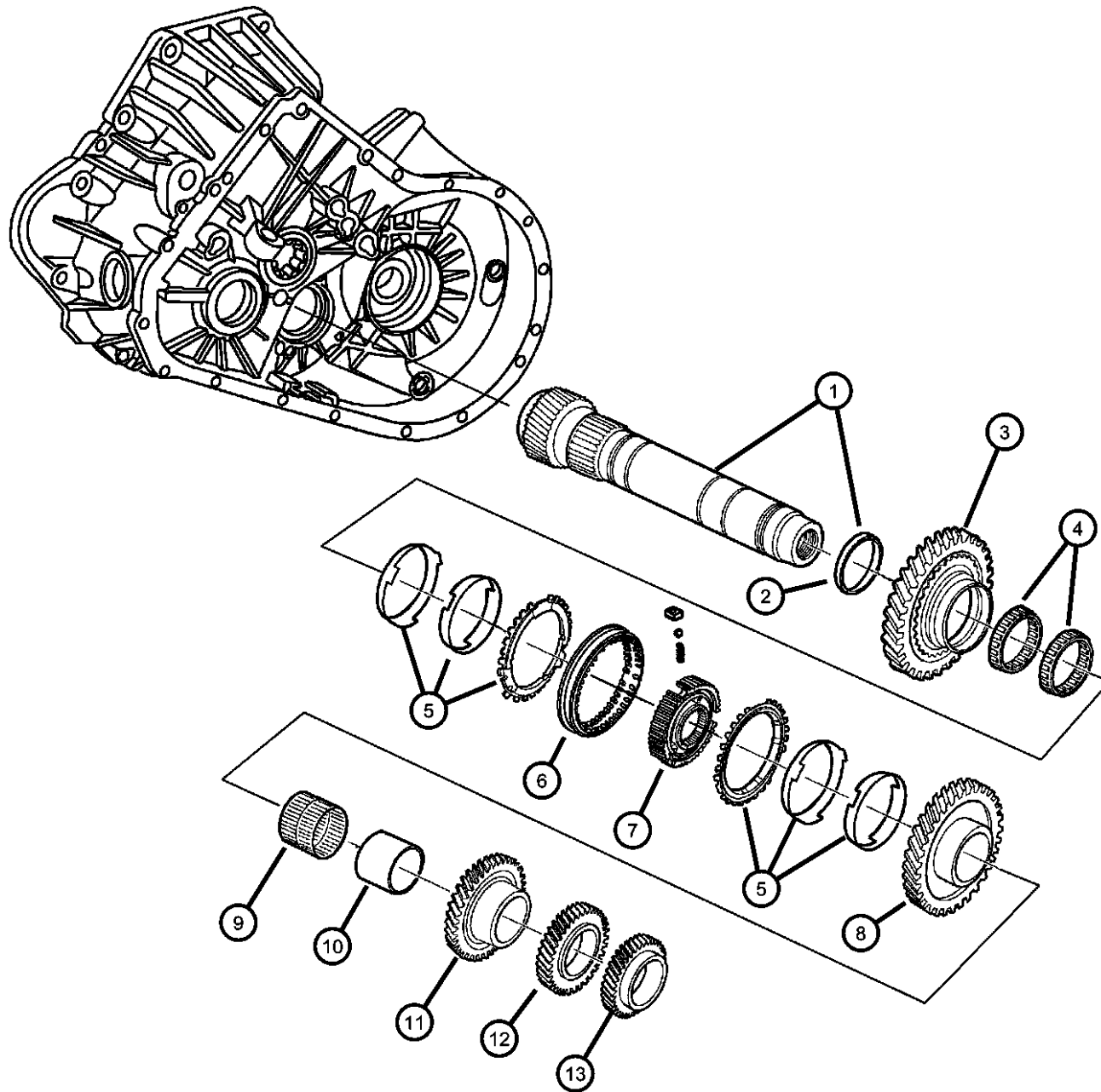
BODY
27 = 2-DR CONVERTIBLE
44 = HATCHBACK/QUAD
CAB CHASSIS LWB

ENGINE TRANSMISSION
EDJ = 2.2L 4 Cyl Turbo Diesel Engine DGL = 4-Speed Automatic Transmission
EDT = 2.4L 4 Cyl DOHC 16V Turbo Engine DD5 = 5-Speed Manual Transmission
EDV = 2.4L 4 Cyl DOHC 16V Turbo Engine DDD = 5-Speed HD Manual Transmission
HO Turbo Engine
EDZ = 2.4L 4 Cyl DOHC 16V SMPI Engine
EJD = 1.6L 4 Cyl SOHC 16V SMPI

AR = use ase required - = Non illustrated part

2006 PT

Intermediate Shaft
Figure GET288-420



ITEM	PART NUMBER	QTY	LINE	SERIES	BODY	ENGINE	TRANS	TRIM	DESCRIPTION
	05086068AA	1				EDV	DDD		
		1				EDJ	DDD		
11	05083867AA	1				EDV	DDD		GEAR, Third
		1				EDJ	DDD		
12	05083868AA	1				EDJ	DDD		GEAR, Fourth
	05096128AA	1				EDV	DDD		
13	05083869AA	1				EDJ	DDD		GEAR, Fifth
	05096129AA	1				EDV	DDD		

PT CRUISER (PT)

SERIES LINE
H = HIGHLINE C = CHRYSLER
P = PREMIUM Z = CHRYSLER (RHD)
S = SPORT
X = SPECIAL

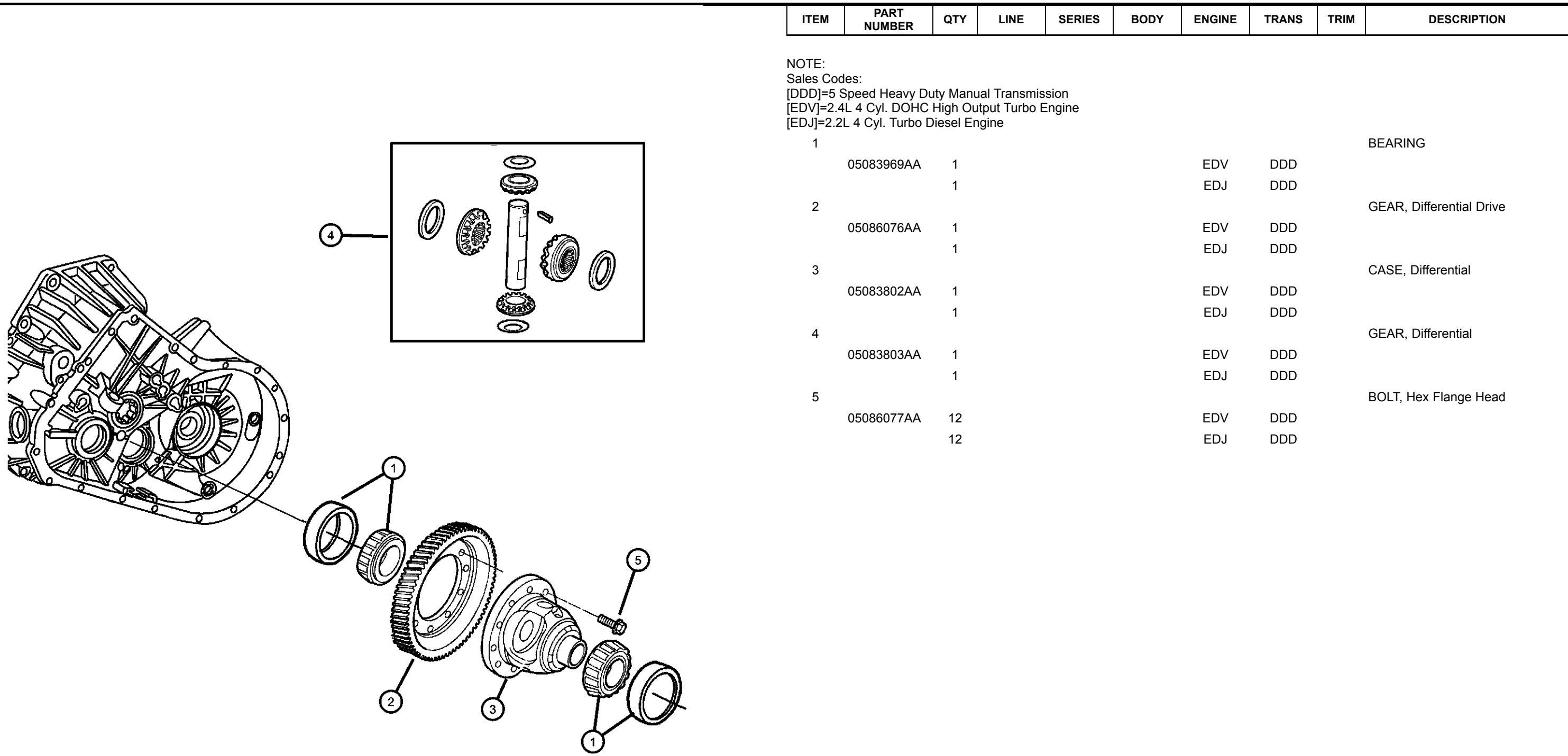
BODY
27 = 2-DR CONVERTIBLE
44 = HATCHBACK/QUAD
CAB CHASSIS LWB

ENGINE TRANSMISSION
EDJ = 2.2L 4 Cyl Turbo Diesel Engine
EDT = 2.4L 4 Cyl DOHC 16V Turbo Engine
EDV = 2.4L 4 Cyl DOHC 16V HO Turbo Engine
EDZ = 2.4L 4 Cyl DOHC 16V SMPI Engine
EJD = 1.6L 4 Cyl SOHC 16V SMPI
DGL = 4-Speed Automatic Transmission
DD5 = 5-Speed Manual Transmission
DDD = 5-Speed HD Manual Transmission

AR = use ase required - = Non illustrated part

2006 PT

Differential Figure GET288-810



ITEM	PART NUMBER	QTY	LINE	SERIES	BODY	ENGINE	TRANS	TRIM	DESCRIPTION
1	05083969AA	1				EDV	DDD		BEARING
		1				EDJ	DDD		
2	05086076AA	1				EDV	DDD		GEAR, Differential Drive
		1				EDJ	DDD		
3	05083802AA	1				EDV	DDD		CASE, Differential
		1				EDJ	DDD		
4	05083803AA	1				EDV	DDD		GEAR, Differential
		1				EDJ	DDD		
5	05086077AA	12				EDV	DDD		BOLT, Hex Flange Head
		12				EDJ	DDD		

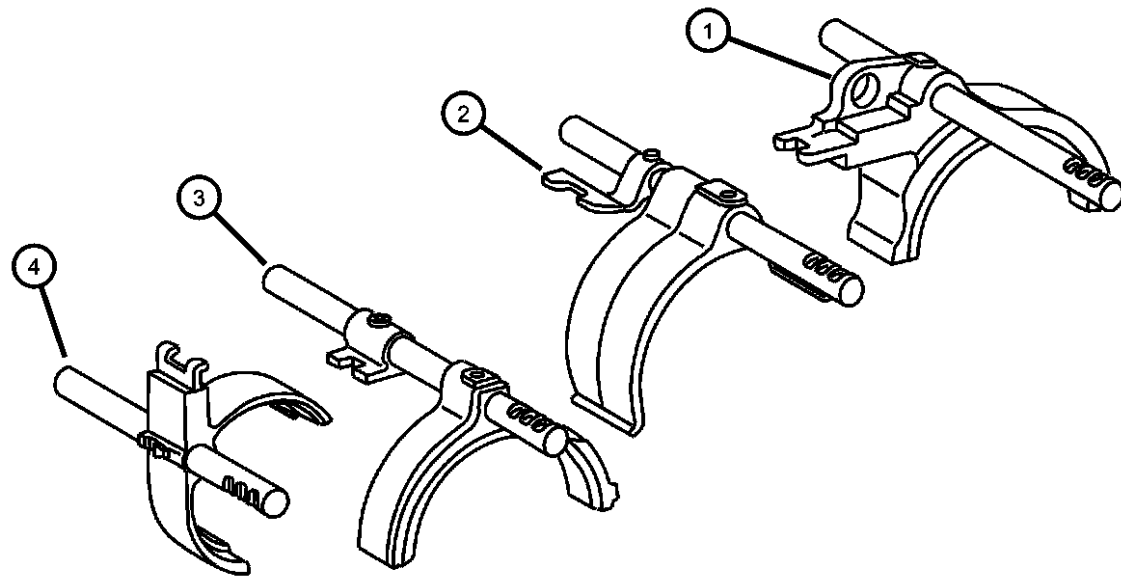
PT CRUISER (PT)

SERIES	LINE	BODY	ENGINE	TRANSMISSION
H = HIGHLINE	C = CHRYSLER	27 = 2-DR CONVERTIBLE	EDJ = 2.2L 4 Cyl Turbo Diesel Engine	DGL = 4-Speed Automatic Transmission
P = PREMIUM	Z = CHRYSLER (RHD)	44 = HATCHBACK/QUAD CAB CHASSIS LWB	EDT = 2.4L 4 Cyl DOHC 16V Turbo Engine	DD5 = 5-Speed Manual Transmission
S = SPORT			EDV = 2.4L 4 Cyl DOHC 16V HO Turbo Engine	DDD = 5-Speed HD Manual Transmission
X = SPECIAL			EDZ = 2.4L 4 Cyl DOHC 16V SMPI Engine	
			EJD = 1.6L 4 Cyl SOHC 16V SMPI	

AR = use ase required - = Non illustrated part

Fork & Rails
Figure GET288-910

ITEM	PART NUMBER	QTY	LINE	SERIES	BODY	ENGINE	TRANS	TRIM	DESCRIPTION
NOTE: Sales Codes: [DDD]=5 Speed Heavy Duty Manual Transmission [EDJ]=2.2L 4 Cyl. Turbo Diesel Engine [EDV]=2.4L 4 Cyl. DOHC High Output Turbo Engine									
1									RAIL, First and Second Shift
	05086094AB	1				EDV	DDD		
		1				EDJ	DDD		
2									RAIL, Third and Fourth Shift
	05086095AB	1				EDV	DDD		
		1				EDJ	DDD		
3									RAIL, Fifth Shift
	05086096AB	1				EDV	DDD		
		1				EDJ	DDD		
4									RAIL, Reverse Shift
	05086097AA	1				EDV	DDD		
		1				EDJ	DDD		
-5									DETENT, Gearshift
	05083974AA	1				EDV	DDD		
		1				EDJ	DDD		
-6									DETENT, Gearshift
	05083975AA	4				EDV	DDD		
		4				EDJ	DDD		



PT CRUISER (PT)

SERIES LINE
H = HIGHLINE C = CHRYSLER
P = PREMIUM Z = CHRYSLER (RHD)
S = SPORT
X = SPECIAL

BODY
27 = 2-DR CONVERTIBLE
44 = HATCHBACK/QUAD
CAB CHASSIS LWB

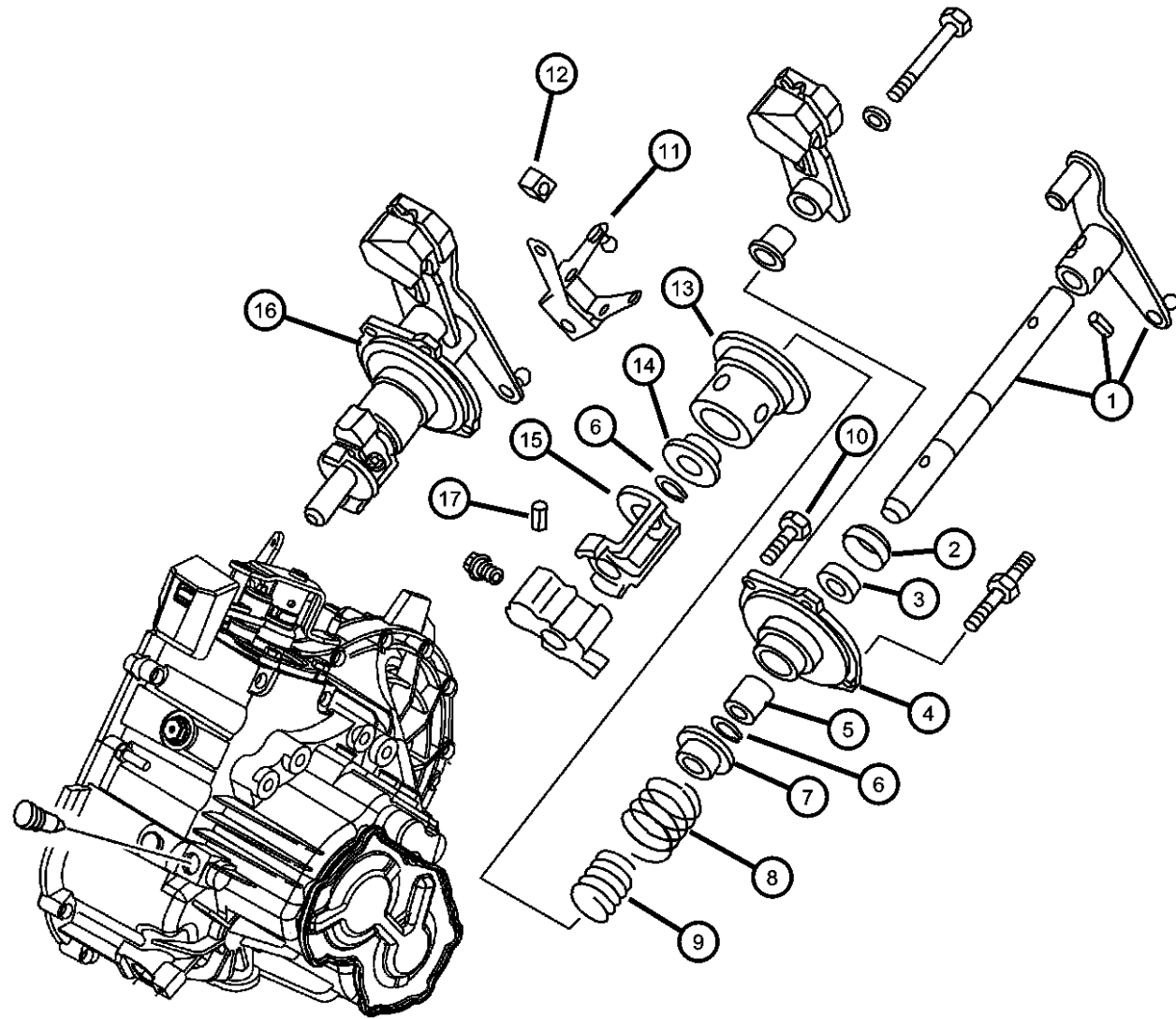
ENGINE
EDJ = 2.2L 4 Cyl Turbo Diesel Engine
EDT = 2.4L 4 Cyl DOHC 16V Turbo Engine
EDV = 2.4L 4 Cyl DOHC 16V HO Turbo Engine
EDZ = 2.4L 4 Cyl DOHC 16V SMPI Engine
EJD = 1.6L 4 Cyl SOHC 16V SMPI

TRANSMISSION
DGL = 4-Speed Automatic Transmission
DD5 = 5-Speed Manual Transmission
DDD = 5-Speed HD Manual Transmission

AR = use ase required - = Non illustrated part

2006 PT

Fork Controls
Figure GET288-920



ITEM	PART NUMBER	QTY	LINE	SERIES	BODY	ENGINE	TRANS	TRIM	DESCRIPTION
1									LEVER, Select
	05086091AA	1				EDV	DDD		
		1				EDJ	DDD		
2									COVER
	05086090AA	1				EDV	DDD		
		1				EDJ	DDD		
3									SEAL
	05086089AA	1				EDV	DDD		
		1				EDJ	DDD		
4									HOUSING, Shift
	05086088AA	1				EDV	DDD		
		1				EDJ	DDD		
5									BEARING, Shift Shaft
	05083759AA	1				EDV	DDD		
		1				EDJ	DDD		
6									SNAP RING
	05086082AA	1				EDV	DDD		
		1				EDJ	DDD		
7									WASHER
	05086087AA	1				EDV	DDD		
		1				EDJ	DDD		
8									SPRING
	05086085AA	1				EDV	DDD		
		1				EDJ	DDD		
9									SPRING
	05086086AA	1				EDV	DDD		
		1				EDJ	DDD		
10									BOLT, Hex Flange Head

PT CRUISER (PT)

SERIES LINE
H = HIGHLINE C = CHRYSLER
P = PREMIUM Z = CHRYSLER (RHD)
S = SPORT
X = SPECIAL

BODY
27 = 2-DR CONVERTIBLE
44 = HATCHBACK/QUAD
CAB CHASSIS LWB

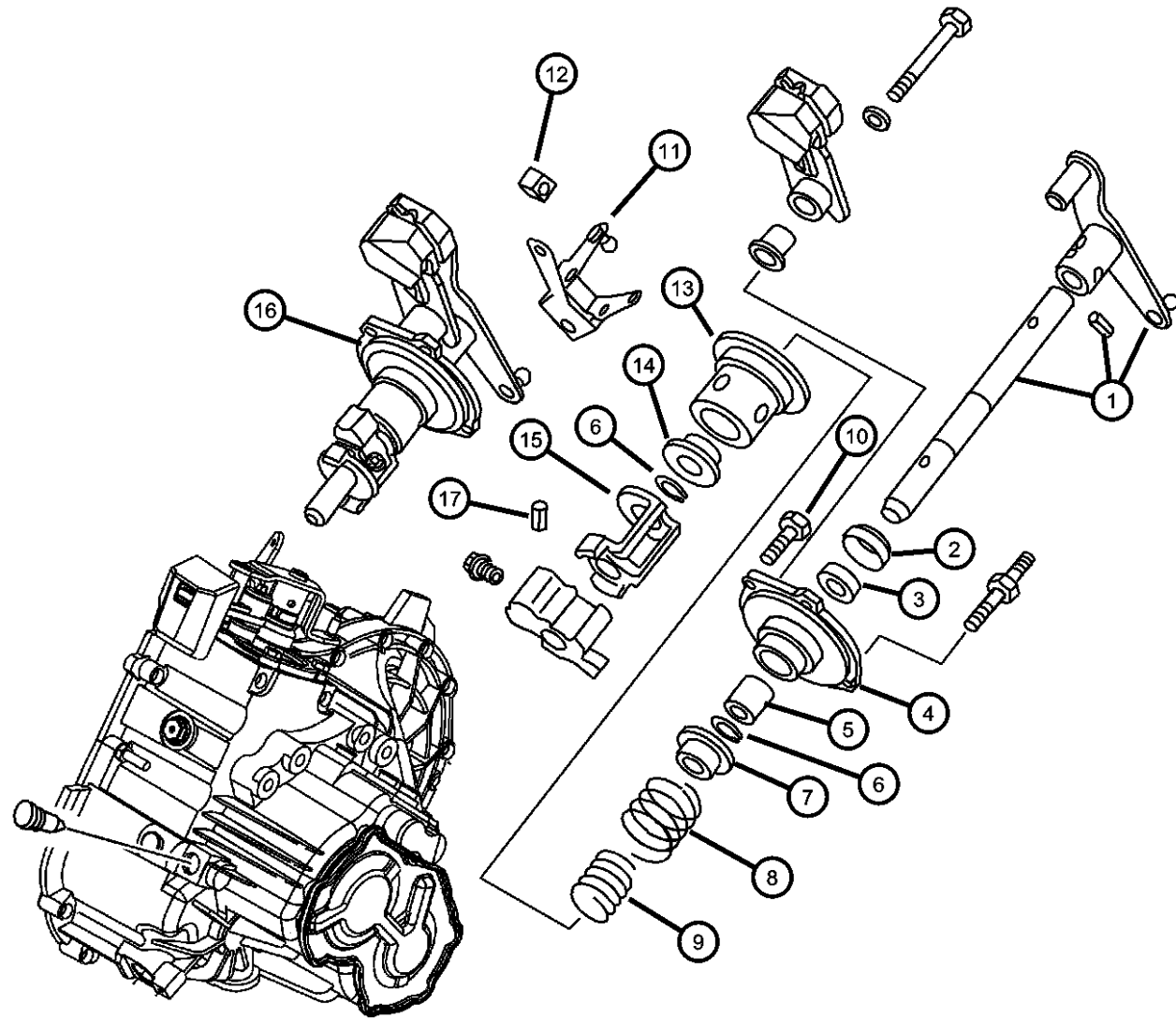
ENGINE
EDJ = 2.2L 4 Cyl Turbo Diesel Engine
EDT = 2.4L 4 Cyl DOHC 16V Turbo Engine
EDV = 2.4L 4 Cyl DOHC 16V HO Turbo Engine
EDZ = 2.4L 4 Cyl DOHC 16V SMPI Engine
EJD = 1.6L 4 Cyl SOHC 16V SMPI

TRANSMISSION
DGL = 4-Speed Automatic Transmission
DD5 = 5-Speed Manual Transmission
DDD = 5-Speed HD Manual Transmission

AR = use ase required - = Non illustrated part

2006 PT

Fork Controls
Figure GET288-920



ITEM	PART NUMBER	QTY	LINE	SERIES	BODY	ENGINE	TRANS	TRIM	DESCRIPTION
	05086092AA	4				EDV	DDD		
		4				EDJ	DDD		
11	05086080AA	1				EDV	DDD		LEVER
		1				EDJ	DDD		
12	05086093AA	1				EDV	DDD		KEY, Shaft
		1				EDJ	DDD		
13	05086084AA	1				EDV	DDD		CUP
		1				EDJ	DDD		
14	05086083AA	1				EDV	DDD		WASHER
		1				EDJ	DDD		
15	05086079AA	1				EDV	DDD		BLOCKER, Shift
		1				EDJ	DDD		
16	05086078AA	1				EDV	DDD		RAIL, Shift
		1				EDJ	DDD		
17	05086081AA	1				EDV	DDD		PIN, Roll
		1				EDJ	DDD		

PT CRUISER (PT)

SERIES LINE
H = HIGHLINE C = CHRYSLER
P = PREMIUM Z = CHRYSLER (RHD)
S = SPORT
X = SPECIAL

BODY
27 = 2-DR CONVERTIBLE
44 = HATCHBACK/QUAD
CAB CHASSIS LWB

ENGINE
EDJ = 2.2L 4 Cyl Turbo Diesel Engine
EDT = 2.4L 4 Cyl DOHC 16V Turbo Engine
EDV = 2.4L 4 Cyl DOHC 16V HO Turbo Engine
EDZ = 2.4L 4 Cyl DOHC 16V SMPI Engine
EJD = 1.6L 4 Cyl SOHC 16V SMPI

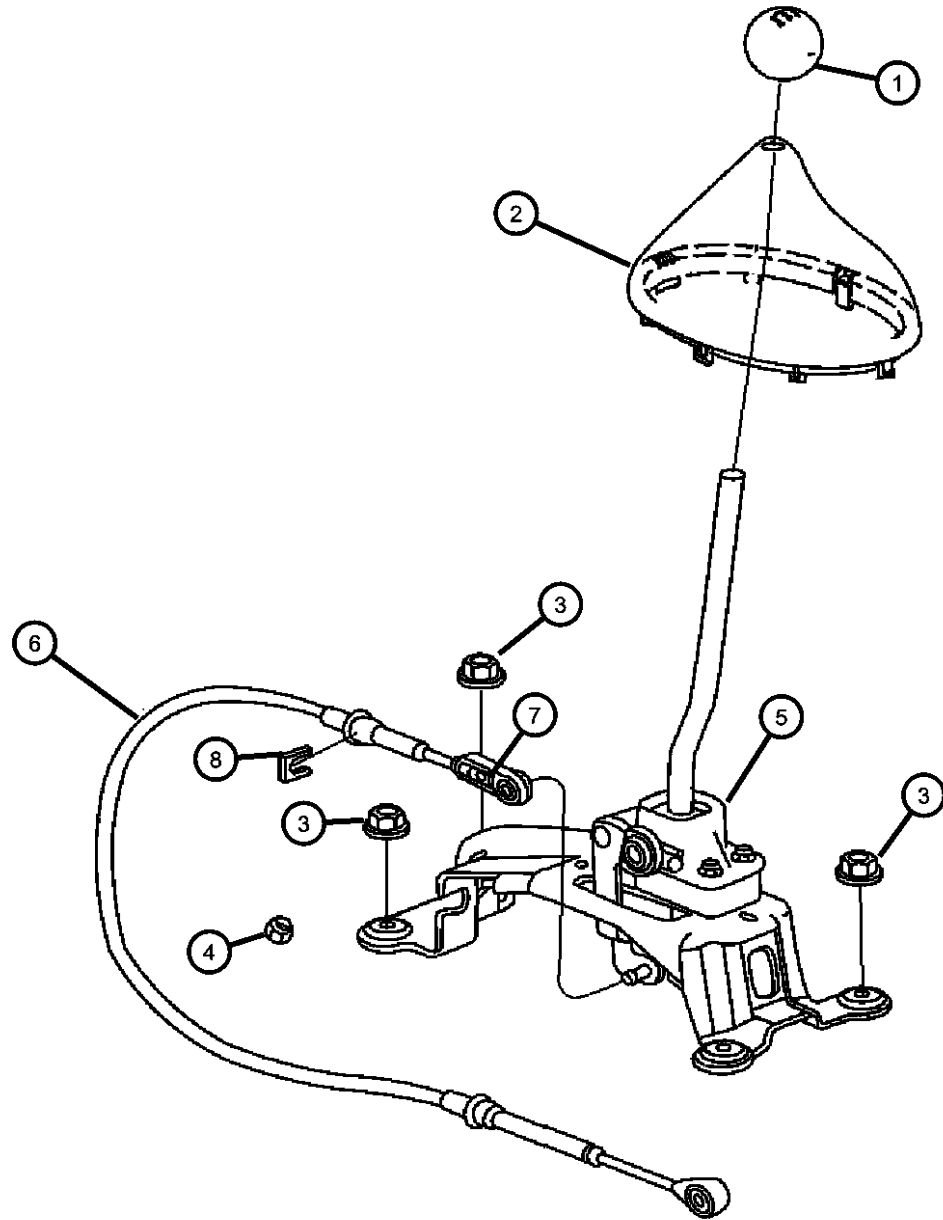
TRANSMISSION
DGL = 4-Speed Automatic Transmission
DD5 = 5-Speed Manual Transmission
DDD = 5-Speed HD Manual Transmission

AR = use ase required - = Non illustrated part

2006 PT

**Gear Shifter
Figure GET288-1210**

ITEM	PART NUMBER	QTY	LINE	SERIES	BODY	ENGINE	TRANS	TRIM	DESCRIPTION
------	-------------	-----	------	--------	------	--------	-------	------	-------------



NOTE:

Sales Codes:

[CVZ]=Silver Shift Knob

[CVQ]= White Shift Knob

[DDD]=5 Speed Heavy Duty Manual Transmission - G288

[DD5]= 5 Speed Manual Transmission - A578

[EDV]=2.4L 16V DOHC 4 Cylinder High Output Turbo Engine

[EDZ]=2.4L 4 Cyl. DOHC 16V Engine

[EJD]=1.6L 4 Cylinder SOHC 16V SMPI Engine

1									KNOB, Gearshift
	1BX47BDAAA	1				EDJ	DDD		With [CEK] Sales Code & [DA] Order Code
	1BX47DKAAA	1				EDV	DDD		With [DKA] Color Code
		1				EDJ	DDD		With [CVZ] Sales Code & [KA] Order Code
		1				EDJ	DDD		With [CEK] Sales Code & [KA] Order Code
	1BX48XZ2AA	1				EDV	DDD		With [XZ2] Color Code
		1				EDJ	DDD		With [CVZ] Sales Code & Paint Code [XZ2]
2									BOOT, Gearshift
	0TM13BDAAA	1					DD5, DDD		With [DA] Order Code
	0TM13DKAAA	1					DD5, DDD		With [KA] Order Code
3	06101695	4					DD5, DDD		NUT, Hex Flange Lock
4	06502676	3							NUT, Hex, M6x1.00
5	04668727AC	1				EDJ, EDV	DDD		SHIFTER, Transmission
6	04668844AB	1				EDJ, EDV	DDD		CABLE, Gearshift Control
7	06500776	1				EDJ, EDV	DDD		SCREW AND WASHER, Hex Head, M5x.8x14, Cable Adjustment
8	06501326	2					DD5, DDD		CLIP, Moulding

PT CRUISER (PT)

SERIES	LINE
H = HIGHLINE	C = CHRYSLER
P = PREMIUM	Z = CHRYSLER (RHD)
S = SPORT	
X = SPECIAL	

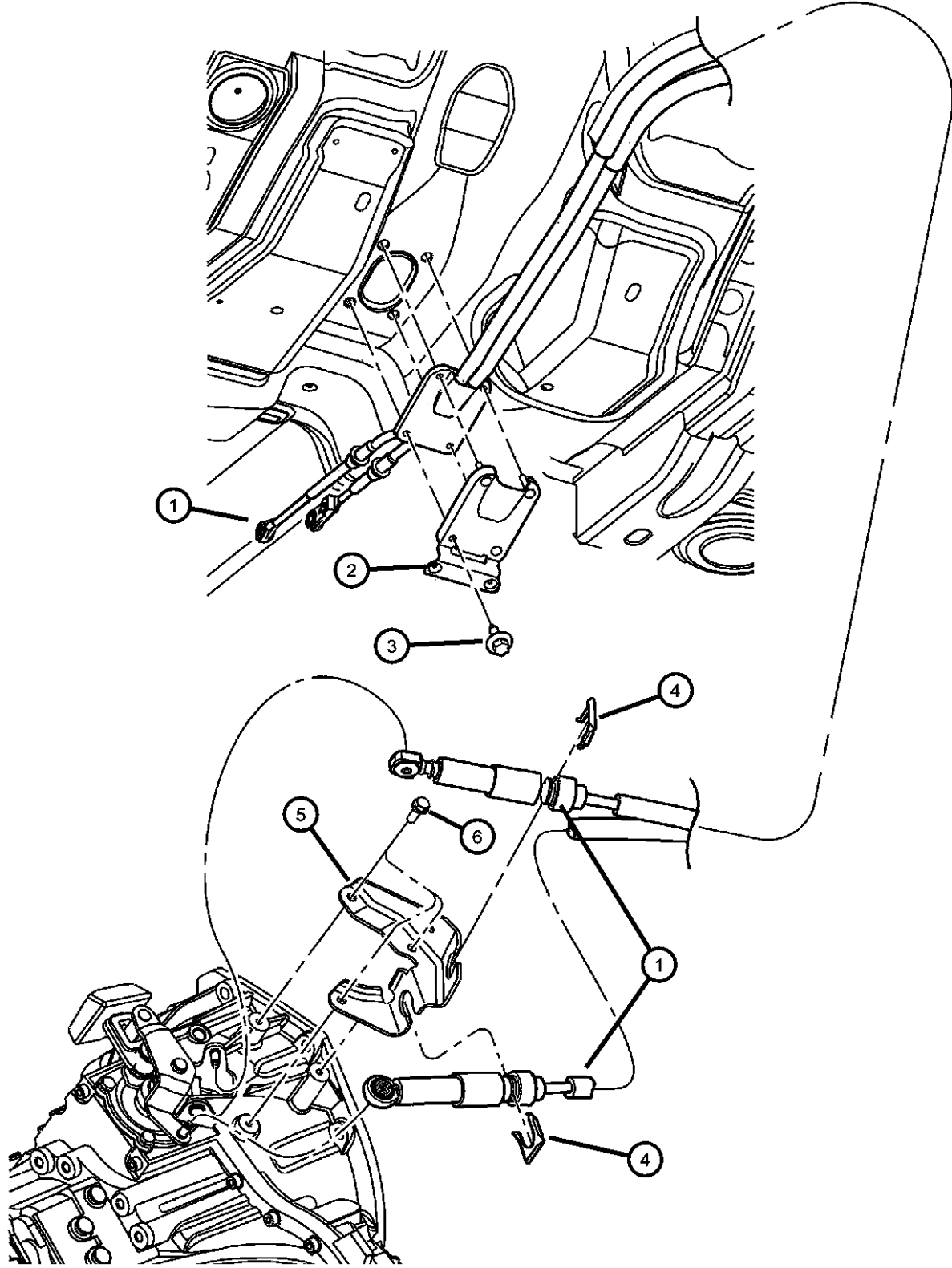
BODY
27 = 2-DR CONVERTIBLE
44 = HATCHBACK/QUAD CAB CHASSIS LWB

ENGINE	TRANSMISSION
EDJ = 2.2L 4 Cyl Turbo Diesel Engine	DGL = 4-Speed Automatic Transmission
EDT = 2.4L 4 Cyl DOHC 16V Turbo Engine	DD5 = 5-Speed Manual Transmission
EDV = 2.4L 4 Cyl DOHC 16V HO Turbo Engine	DDD = 5-Speed HD Manual Transmission
EDZ = 2.4L 4 Cyl DOHC 16V SMPI Engine	
EJD = 1.6L 4 Cyl SOHC 16V SMPI	

AR = use ase required - = Non illustrated part

2006 PT

**Mounting, Gear Shifter Cable
Figure GET288-1220**



ITEM	PART NUMBER	QTY	LINE	SERIES	BODY	ENGINE	TRANS	TRIM	DESCRIPTION
------	-------------	-----	------	--------	------	--------	-------	------	-------------

NOTE:
Sales Codes:
[DDD]=5 Speed Heavy Duty Manual Transmission
[EDJ]=2.2L 4 Cyl. Turbo Diesel Engine
[EDV]=2.4L 16V DOHC 4 Cylinder High Output Turbo Engine

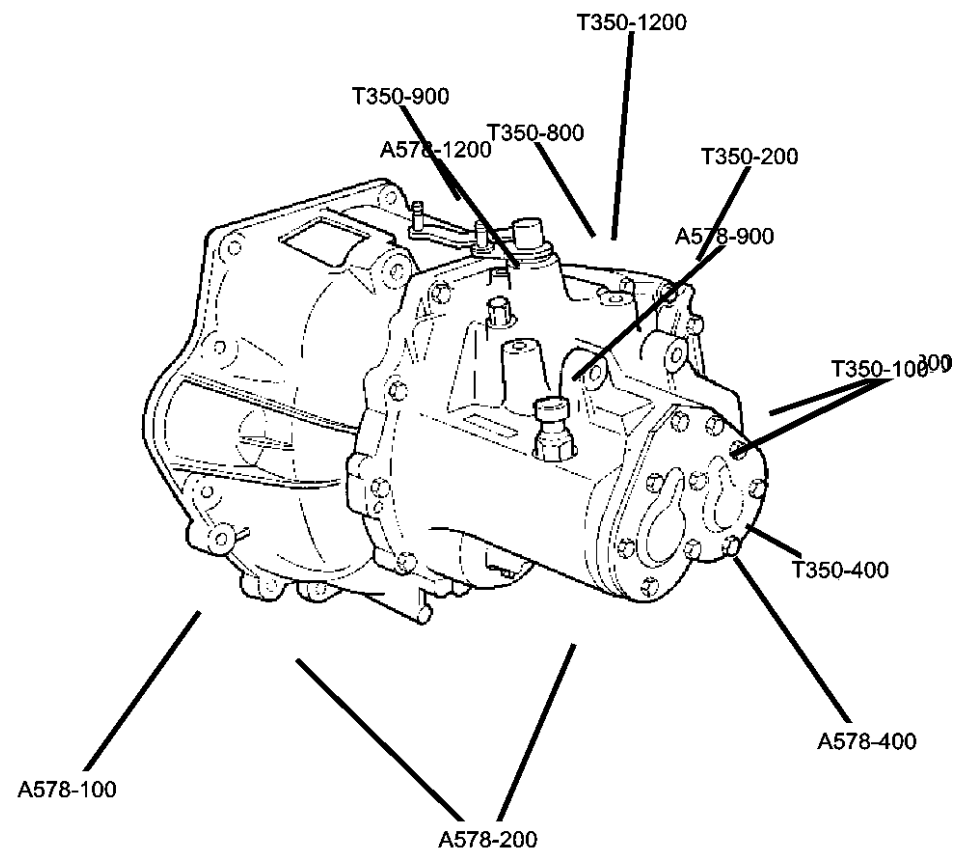
1	04668844AB	1				EDJ, EDV	DDD		CABLE, Gearshift Control
2	04670042AG	1							PLATE, Transmission Shifter
3	06034716	1							SCREW AND WASHER, Hex Flange Head, .25-14x.875
4	04269830	2					DD5, DDD		CLIP, Cable
5	04668845AC	1				EDJ, EDV	DDD		BRACKET, Transmission Control Cable
6	06101611	3					DD5, DDD		SCREW AND WASHER, Hex Head, M8x1.25x25

PT CRUISER (PT)				
SERIES	LINE	BODY	ENGINE	TRANSMISSION
H = HIGHLINE	C = CHRYSLER	27 = 2-DR CONVERTIBLE	EDJ = 2.2L 4 Cyl Turbo Diesel Engine	DGL = 4-Speed Automatic Transmission
P = PREMIUM	Z = CHRYSLER (RHD)	44 = HATCHBACK/QUAD CAB CHASSIS LWB	EDT = 2.4L 4 Cyl DOHC 16V Turbo Engine	DD5 = 5-Speed Manual Transmission
S = SPORT			EDV = 2.4L 4 Cyl DOHC 16V HO Turbo Engine	DDD = 5-Speed HD Manual Transmission
X = SPECIAL			EDZ = 2.4L 4 Cyl DOHC 16V SMPI Engine	
			EJD = 1.6L 4 Cyl SOHC 16V SMPI	

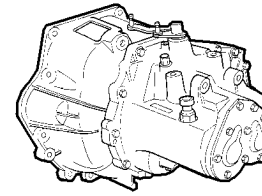
AR = use ase required - = Non illustrated part

Group - T350

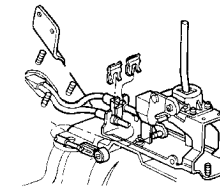
NVG Manual Transaxle 5 Speed



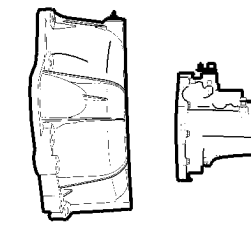
T350-100
Transaxle Assembly



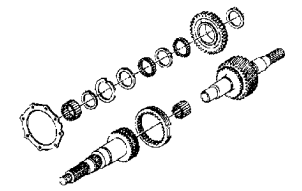
T350-1200
Gearshift Controls



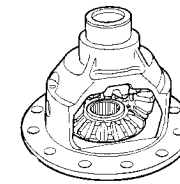
T350-200
Case and Extension



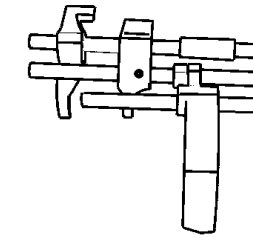
T350-400
Gear Train



T350-800
Differential



T350-900
Fork and Rails



Group - T350 NVG Manual Transaxle 5 Speed

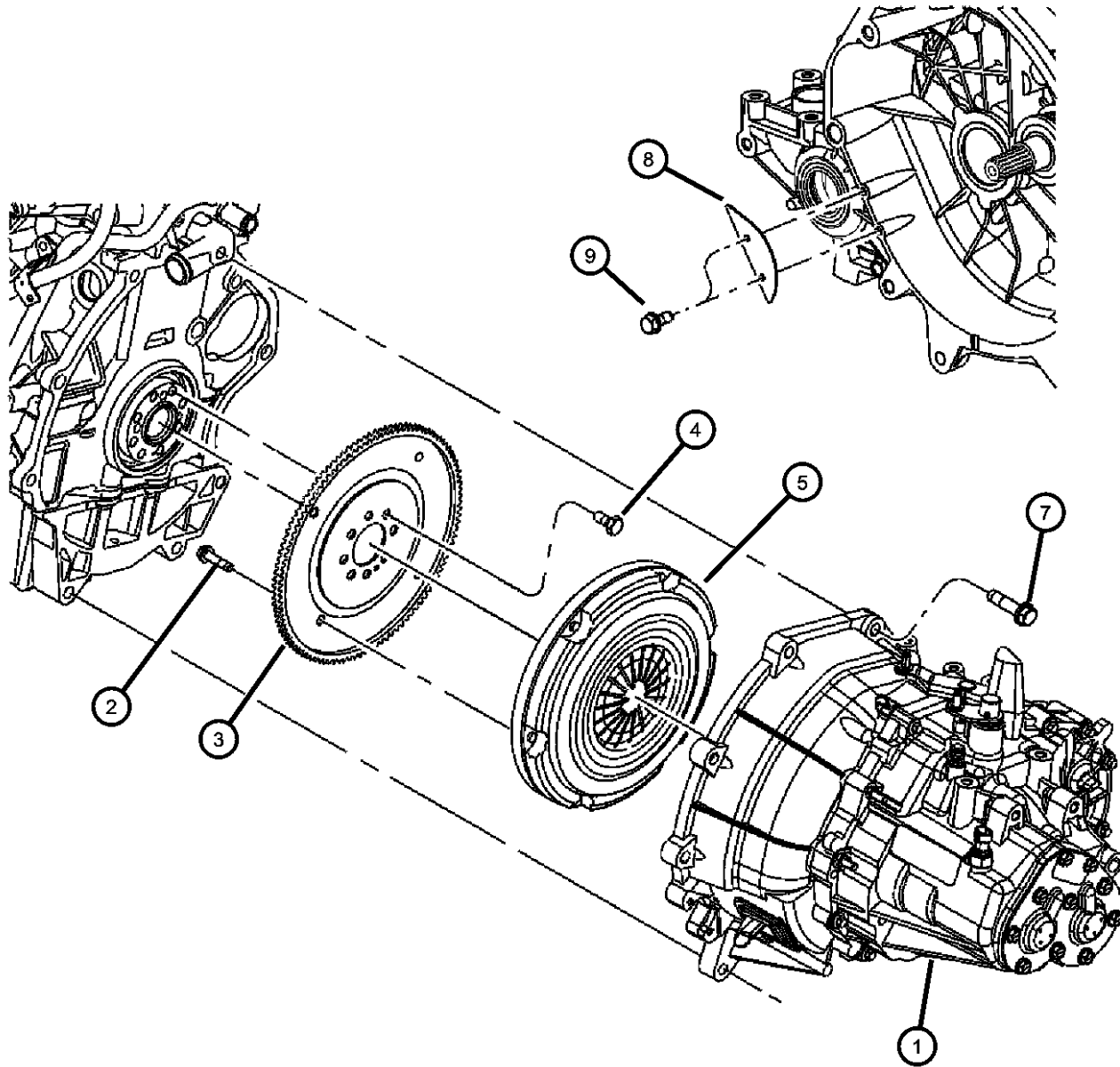
Illustration Title	Group-Fig. No.
Transaxle Assembly	
Transaxle Assembly & Mounting.....	Fig. T350 - 110
Transaxle Assembly & Mounting.....	Fig. T350 - 120
Case and Extension	
Case, Transaxle & Related Parts.....	Fig. T350 - 210
Gear Train	
Gear Train.....	Fig. T350 - 410
Differential	
Diferential.....	Fig. T350 - 810
Fork and Rails	
Fork & Rails.....	Fig. T350 - 910
Gearshift Controls	
Gearshift Control.....	Fig. T350 - 1210
Cable Mounting.....	Fig. T350 - 1220

**Transaxle Assembly & Mounting
Figure T350-110**

ITEM	PART NUMBER	QTY	LINE	SERIES	BODY	ENGINE	TRANS	TRIM	DESCRIPTION
------	-------------	-----	------	--------	------	--------	-------	------	-------------

NOTE:
Sales Codes:
[DD5]=5 Speed Manual Transmission - [T350]
[EJD]=1.6L 4 Cyl. SOHC 16V Engine

1	05016669AE	1				EJD	DD5		TRANSAXLE, With Stamp # [04668669AE]
	05013457AA								Mopar Automatic Transmission Fluid Quart
	05013458AA								Mopar Automatic Transmission Fluid Gallon
2	06101727	6				EJD	DD5		BOLT, Hex Head
3	04668504AB	1				EJD	DD5		FLYWHEEL
4	06503464	8				EJD	DD5		BOLT, Flywheel
5	04668608AD	1				EJD	DD5		PLATE KIT, Clutch Pressure
-6	04668503AC	1				EJD	DD5		DISC, Clutch
7	06501742	6				EJD	DD5		SCREW, Hex Head, M12x1.75x50
8	04668514AA	1				EJD	DD5		COVER, Transaxle Converter
9	06501755	2							SCREW AND WASHER, Hex Head, M6x1x16



PT CRUISER (PT)

SERIES	LINE
H = HIGHLINE	C = CHRYSLER
P = PREMIUM	Z = CHRYSLER (RHD)
S = SPORT	
X = SPECIAL	

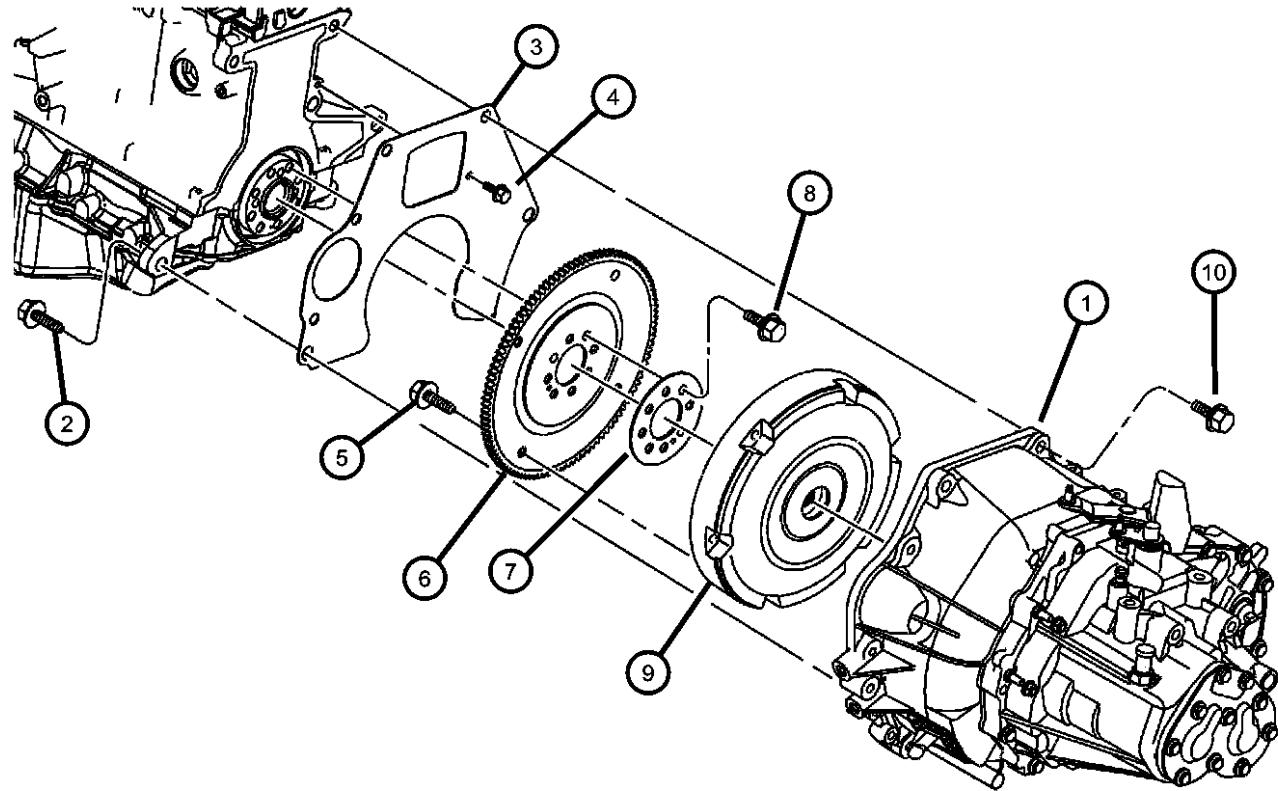
BODY
27 = 2-DR CONVERTIBLE
44 = HATCHBACK/QUAD CAB CHASSIS LWB

ENGINE	TRANSMISSION
EDJ = 2.2L 4 Cyl Turbo Diesel Engine	DGL = 4-Speed Automatic Transmission
EDT = 2.4L 4 Cyl DOHC 16V Turbo Engine	DD5 = 5-Speed Manual Transmission
EDV = 2.4L 4 Cyl DOHC 16V HO Turbo Engine	DDD = 5-Speed HD Manual Transmission
EDZ = 2.4L 4 Cyl DOHC 16V SMPI Engine	
EJD = 1.6L 4 Cyl SOHC 16V SMPI	

AR = use ase required - = Non illustrated part

2006 PT

**Transaxle Assembly & Mounting
Figure T350-120**



ITEM	PART NUMBER	QTY	LINE	SERIES	BODY	ENGINE	TRANS	TRIM	DESCRIPTION
------	-------------	-----	------	--------	------	--------	-------	------	-------------

NOTE:
Sales Codes:
[DD5]=5 Speed Manual Transmission - [T350]
[EDT]=2.4L 4 Cyl. DOHC 16V Turbo Engine
[EDV]=2.4L 4 Cyl. DOHC 16V High Output Engine
[EDZ]=2.4L 4 Cyl. DOHC 16V Engine
[EJD]=1.6L 4 Cyl. SOHC 16V Engine

1	05073563AC	1				EDZ	DD5		TRANSAXLE, With Stamp # [05274563AC]
	05013457AA								Mopar Automatic Transmission Fluid Quart
	05013458AA								Mopar Automatic Transmission Fluid Gallon
2	06501742	4				EDZ	DD5		SCREW, Hex Head, M12x1.75x50
3	04593175AB	1				EDZ	DD5		COVER, Transmission Dust
4	06501755	2							SCREW AND WASHER, Hex Head, M6x1x16
5	06504383	4				EDZ	DD5		BOLT, Hex Head, M10x1.50 x 13.20
6	04567143	1				EDZ	DD5		PLATE, Drive Plate
7	04471933	1				EDT, EDV, EDZ			PLATE, Drive Plate Backing
8	06503465	8				EDT, EDV, EDZ, EJD			BOLT, Drive Plate and Flywheel
9	04668555AH	1				EDZ	DD5		CLUTCH, Modular
10	06501742	4				EDZ	DD5		SCREW, Hex Head, M12x1.75x50

PT CRUISER (PT)

SERIES	LINE
H = HIGHLINE	C = CHRYSLER
P = PREMIUM	Z = CHRYSLER (RHD)
S = SPORT	
X = SPECIAL	

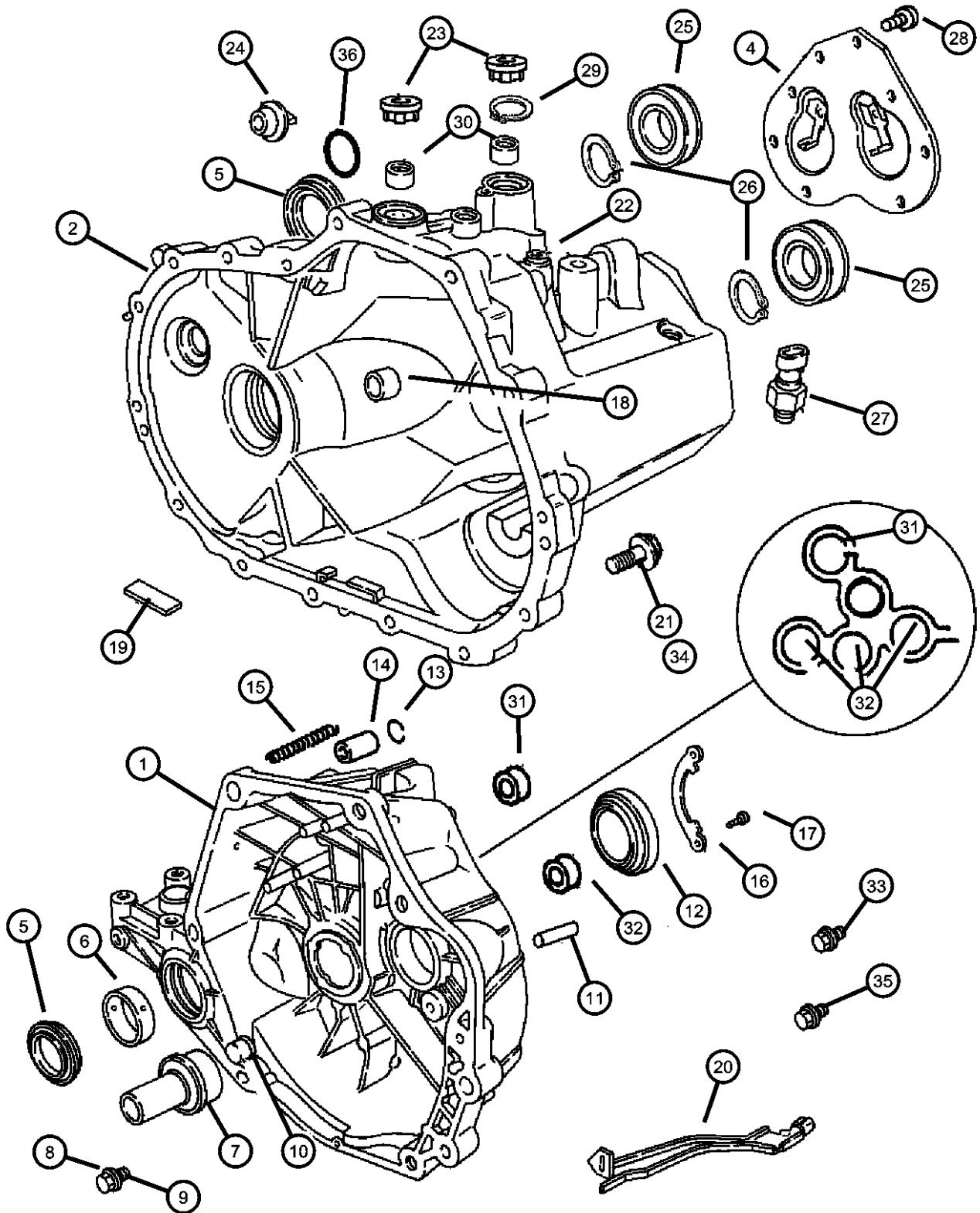
BODY
27 = 2-DR CONVERTIBLE
44 = HATCHBACK/QUAD CAB CHASSIS LWB

ENGINE	TRANSMISSION
EDJ = 2.2L 4 Cyl Turbo Diesel Engine	DGL = 4-Speed Automatic Transmission
EDT = 2.4L 4 Cyl DOHC 16V Turbo Engine	DD5 = 5-Speed Manual Transmission
EDV = 2.4L 4 Cyl DOHC 16V HO Turbo Engine	DDD = 5-Speed HD Manual Transmission
EDZ = 2.4L 4 Cyl DOHC 16V SMPI Engine	
EJD = 1.6L 4 Cyl SOHC 16V SMPI	

AR = use ase required - = Non illustrated part

2006 PT

Case, Transaxle & Related Parts
Figure T350-210



ITEM	PART NUMBER	QTY	LINE	SERIES	BODY	ENGINE	TRANS	TRIM	DESCRIPTION
NOTE: Sales Codes: [EJD]=1.6L 4 Cyl. SOHC 16V Engine [EDZ]=2.4L 4 Cyl. DOHC 16V Engine [DD5]=5 Speed Manual Transmission - [T350]									
1									HOUSING, Clutch
	05102888AA	1				EDZ	DD5		
	05134986AA	1				EJD	DD5		
2									CASE, Transmission
	05016883AA	1				EDZ	DD5		
		1				EJD	DD5		
-3									STUD, M12x1.75/M10x1.25x94.5
	04761085	2				EDZ	DD5		
		2				EJD	DD5		
4									PLATE, Transaxle Case Rear
	05014463AA	1				EDZ	DD5		
		1				EJD	DD5		
5									SEAL, Axle Drive Shaft
	04761107	1				EJD	DD5		
		1				EDZ	DD5		
6									BEARING CUP, Differential
	04567022	1				EDZ	DD5		
		1				EJD	DD5		
7									BEARING, Input Shaft
	05013634AA	1				EJD	DD5		
		1				EDZ	DD5		
8									SCREW, Drain
	04761101	1				EDZ	DD5		
		1				EJD	DD5		
9									WASHER, Drain Plug
	04761100	1				EDZ	DD5		
		1				EJD	DD5		
10									PIVOT, Clutch Release Lever

PT CRUISER (PT)

SERIES LINE
H = HIGHLINE C = CHRYSLER
P = PREMIUM Z = CHRYSLER (RHD)
S = SPORT
X = SPECIAL

BODY
27 = 2-DR CONVERTIBLE
44 = HATCHBACK/QUAD
CAB CHASSIS LWB

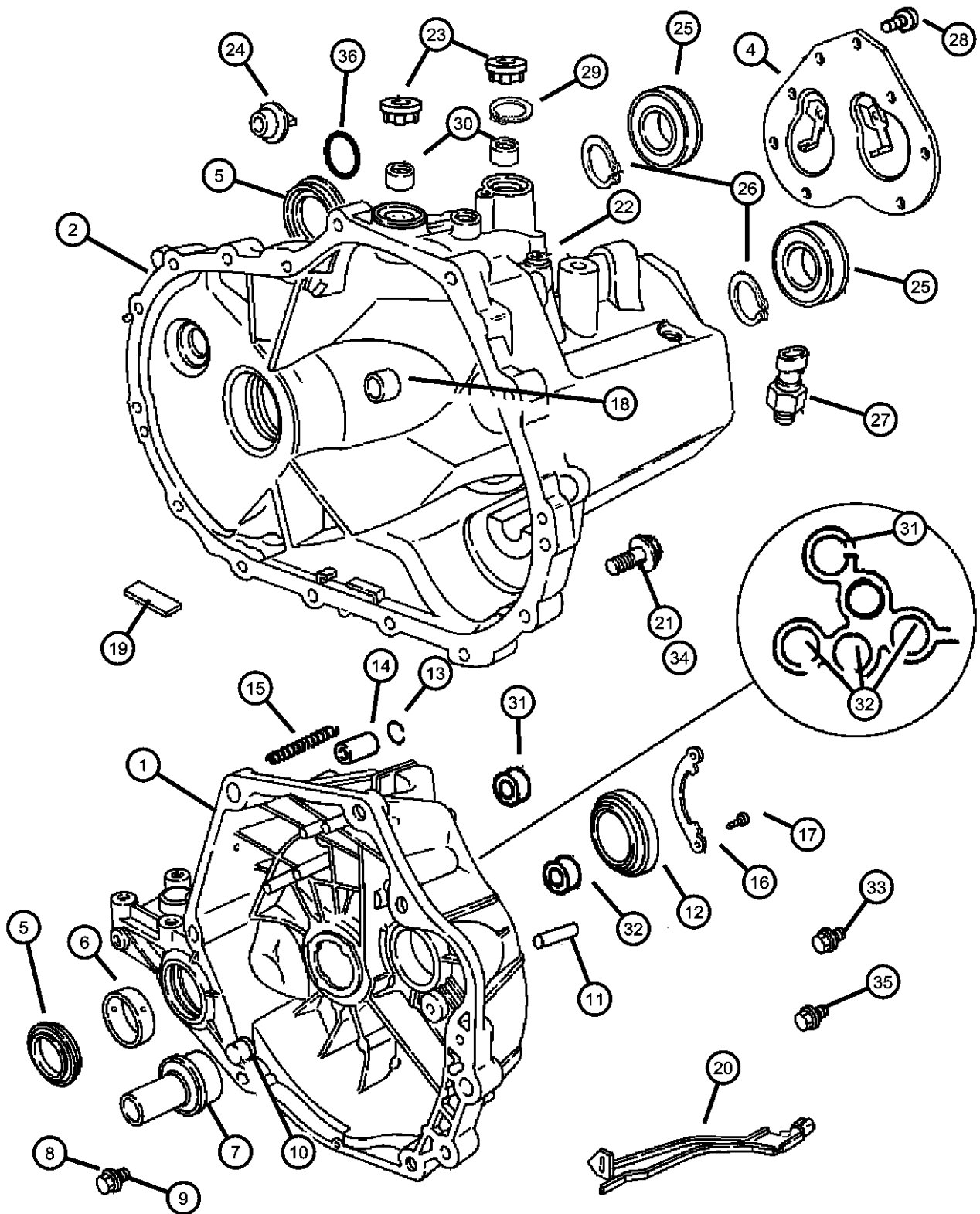
ENGINE
EDJ = 2.2L 4 Cyl Turbo Diesel Engine
EDT = 2.4L 4 Cyl DOHC 16V Turbo Engine
EDV = 2.4L 4 Cyl DOHC 16V HO Turbo Engine
EDZ = 2.4L 4 Cyl DOHC 16V SMPI Engine
EJD = 1.6L 4 Cyl SOHC 16V SMPI

TRANSMISSION
DGL = 4-Speed Automatic Transmission
DD5 = 5-Speed Manual Transmission
DDD = 5-Speed HD Manual Transmission

AR = use ase required - = Non illustrated part

2006 PT

Case, Transaxle & Related Parts
Figure T350-210



ITEM	PART NUMBER	QTY	LINE	SERIES	BODY	ENGINE	TRANS	TRIM	DESCRIPTION
	04670240	1				EDZ	DD5		
		1				EJD	DD5		
11	04761099	2				EDZ	DD5		PIN, Locating
		2				EJD	DD5		
12	04761093	1				EDZ	DD5		BEARING PACKAGE, Output Shaft
		1				EJD	DD5		
13	04761080	1				EJD	DD5		SNAP RING
		1				EDZ	DD5		
14	04761094	1				EDZ	DD5		DETENT, Valve Body
		1				EJD	DD5		
15	04761095	1				EDZ	DD5		SPRING, Select Detent
		1				EJD	DD5		
16	04761097	1				EDZ	DD5		RETAINER, Transmission Output Shaft Bearing
		1				EJD	DD5		
17	04761098	2				EDZ	DD5		BOLT, Output Shaft Bearing
		2				EJD	DD5		
18	04740899	1				EDZ	DD5		BUSHING, Shift Rail
		1				EJD	DD5		
19	04761078	1				EDZ	DD5		MAGNET, Transmission
		1				EJD	DD5		
20									TROUGH, Lubrication

PT CRUISER (PT)

SERIES LINE
H = HIGHLINE C = CHRYSLER
P = PREMIUM Z = CHRYSLER (RHD)
S = SPORT
X = SPECIAL

BODY
27 = 2-DR CONVERTIBLE
44 = HATCHBACK/QUAD
CAB CHASSIS LWB

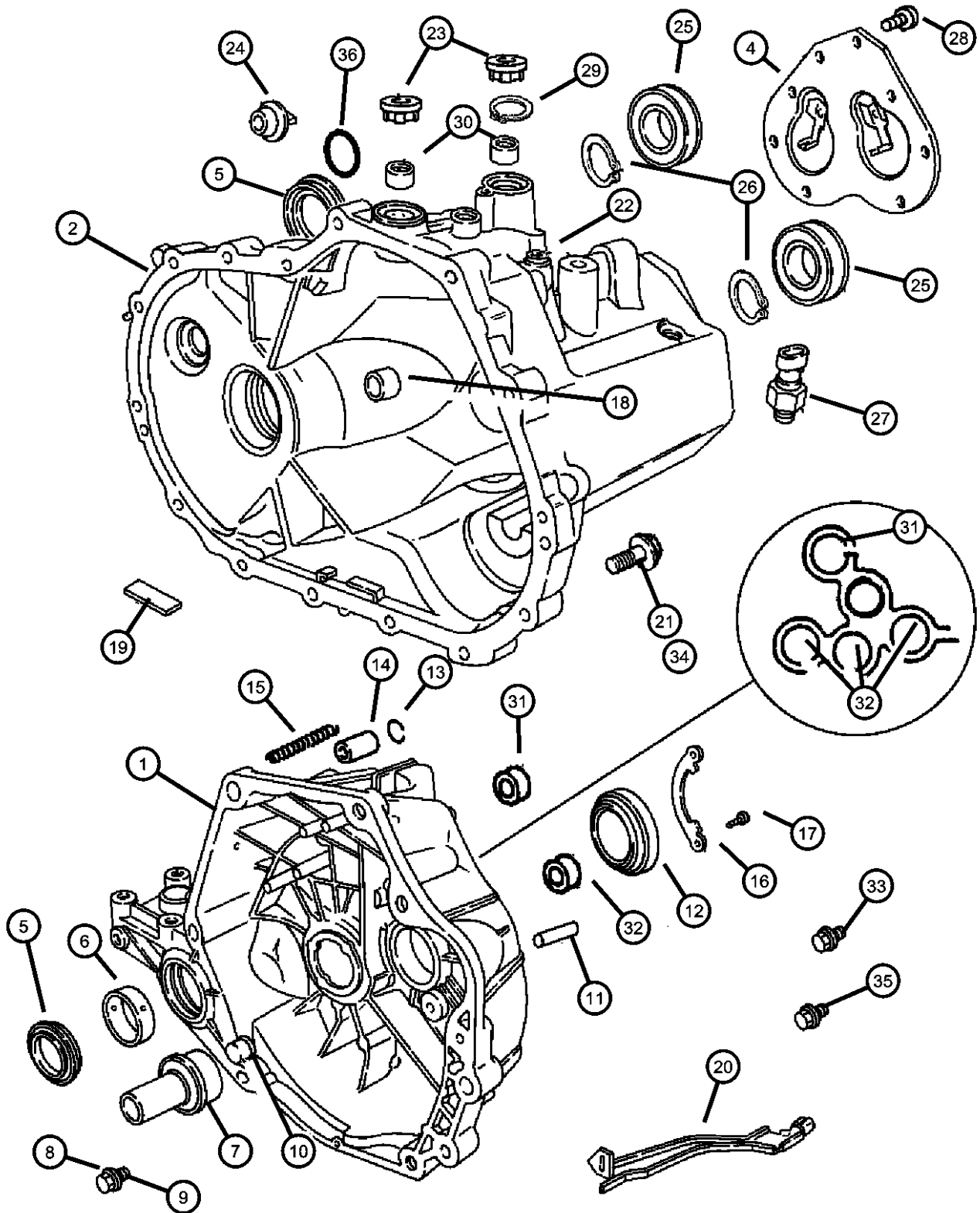
ENGINE
EDJ = 2.2L 4 Cyl Turbo Diesel Engine
EDT = 2.4L 4 Cyl DOHC 16V Turbo Engine
EDV = 2.4L 4 Cyl DOHC 16V HO Turbo Engine
EDZ = 2.4L 4 Cyl DOHC 16V SMPI Engine
EJD = 1.6L 4 Cyl SOHC 16V SMPI

TRANSMISSION
DGL = 4-Speed Automatic Transmission
DD5 = 5-Speed Manual Transmission
DDD = 5-Speed HD Manual Transmission

AR = use ase required - = Non illustrated part

2006 PT

Case, Transaxle & Related Parts
Figure T350-210



ITEM	PART NUMBER	QTY	LINE	SERIES	BODY	ENGINE	TRANS	TRIM	DESCRIPTION
	04761087	1				EDZ	DD5		
		1				EJD	DD5		
21									BOLT AND CONED WASHER, Hex Head, M8x45x17
	06100299	13				EDZ	DD5		
		13				EJD	DD5		
22									VENT, Cap, Jiggle
	05080970AA	1				EDZ	DD5		
		1				EJD	DD5		
23									SEAL, Shift Lever
	04761077	2				EDZ	DD5		
		2				EJD	DD5		
24									PLUG, Oil Fill
	04348325	1				EDZ	DD5		
		1				EJD	DD5		
25									BEARING, Input Shaft
	05013634AA	1				EJD	DD5		
		1				EDZ	DD5		
26									SNAP RING
	04761096	1				EDZ	DD5		
		1				EJD	DD5		
27									SWITCH, Back Up Lamp
	04864775	1				EDZ	DD5		
		1				EJD	DD5		
28									BOLT, Case Plate
	04761082	10				EDZ	DD5		
		10				EJD	DD5		
29									RETAINER, Shaft
	04762606	1				EDZ	DD5		
		1				EJD	DD5		
30									BUSHING, Crossover Shaft

PT CRUISER (PT)

SERIES LINE
 H = HIGHLINE C = CHRYSLER
 P = PREMIUM Z = CHRYSLER (RHD)
 S = SPORT
 X = SPECIAL

BODY
 27 = 2-DR CONVERTIBLE
 44 = HATCHBACK/QUAD
 CAB CHASSIS LWB

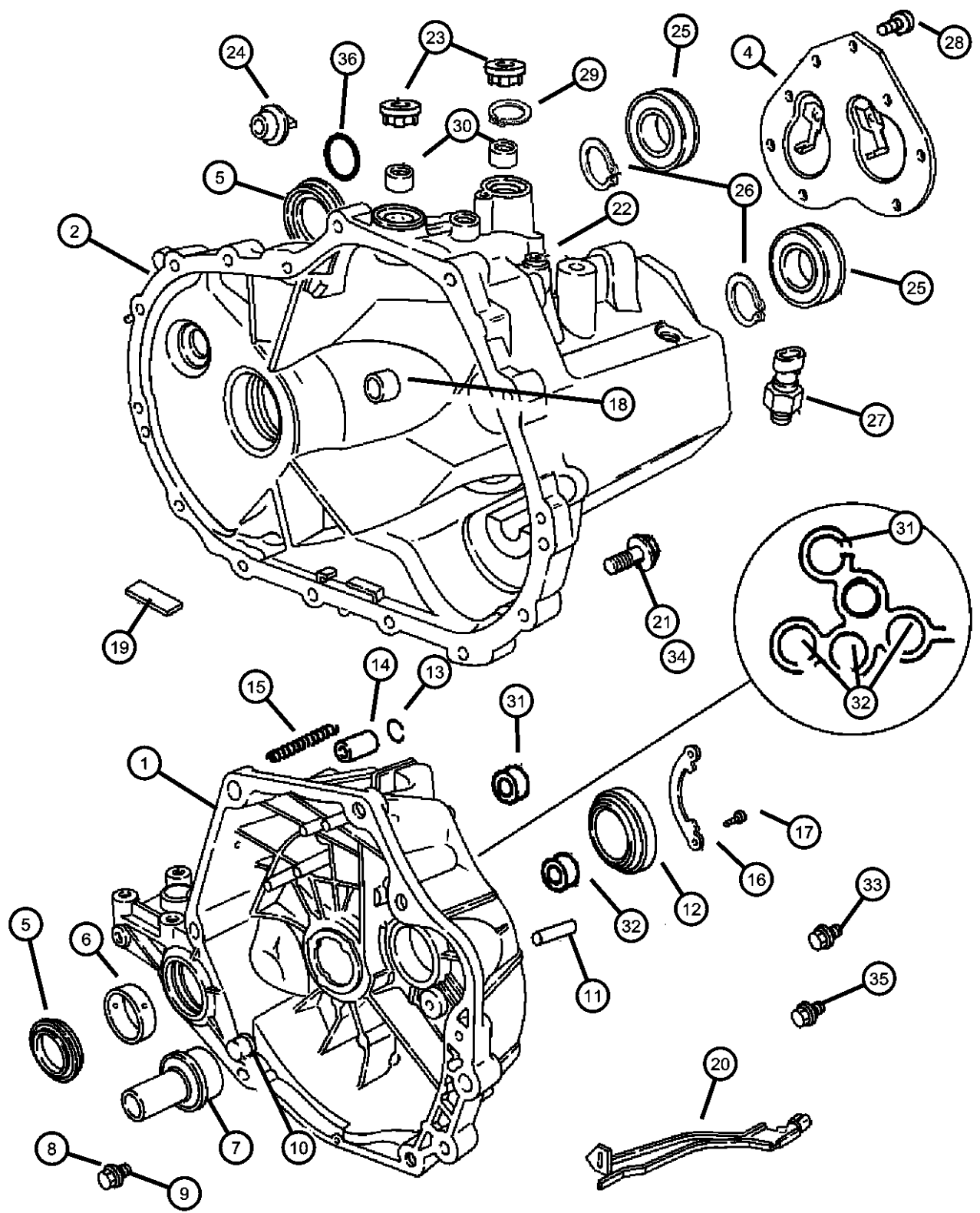
ENGINE
 EDJ = 2.2L 4 Cyl Turbo Diesel Engine
 EDT = 2.4L 4 Cyl DOHC 16V Turbo Engine
 EDV = 2.4L 4 Cyl DOHC 16V HO Turbo Engine
 EDZ = 2.4L 4 Cyl DOHC 16V SMPI Engine
 EJD = 1.6L 4 Cyl SOHC 16V SMPI

TRANSMISSION
 DGL = 4-Speed Automatic Transmission
 DD5 = 5-Speed Manual Transmission
 DDD = 5-Speed HD Manual Transmission

AR = use ase required - = Non illustrated part

2006 PT

Case, Transaxle & Related Parts
Figure T350-210



ITEM	PART NUMBER	QTY	LINE	SERIES	BODY	ENGINE	TRANS	TRIM	DESCRIPTION
	04762602	1				EDZ	DD5		
		1				EJD	DD5		
31	04761076	1				EDZ	DD5		BUSHING, Shift Rail [15MM I.D.]
		1				EJD	DD5		[15MM I.D.]
32	04740899	1				EDZ	DD5		BUSHING, Shift Rail [14MM I.D. / 12MM Long]
		1				EJD	DD5		[14MM I.D. / 12MM Long]
	04762605	3				EDZ	DD5		[15MM I.D. / 10MM Long]
		3				EJD	DD5		[15MM I.D. / 10MM Long]
		1				EJD	DD5		[15MM I.D. / 10MM Long]
		1				EDZ	DD5		[15MM I.D. / 10MM Long]
33									PLUG, Access Hole
	04856559	1				EDZ	DD5		
		1				EJD	DD5		
34	06101662	1				EJD	DD5		SCREW AND WASHER, Hex Head, M12x1.75x70
35									PLUG, Transmission Drain
	04797323	1				EDZ	DD5		
		1				EJD	DD5		
36		1							SHIM, See Differential Illustration, (NOT SERVICED)

PT CRUISER (PT)

SERIES LINE
H = HIGHLINE C = CHRYSLER
P = PREMIUM Z = CHRYSLER (RHD)
S = SPORT
X = SPECIAL

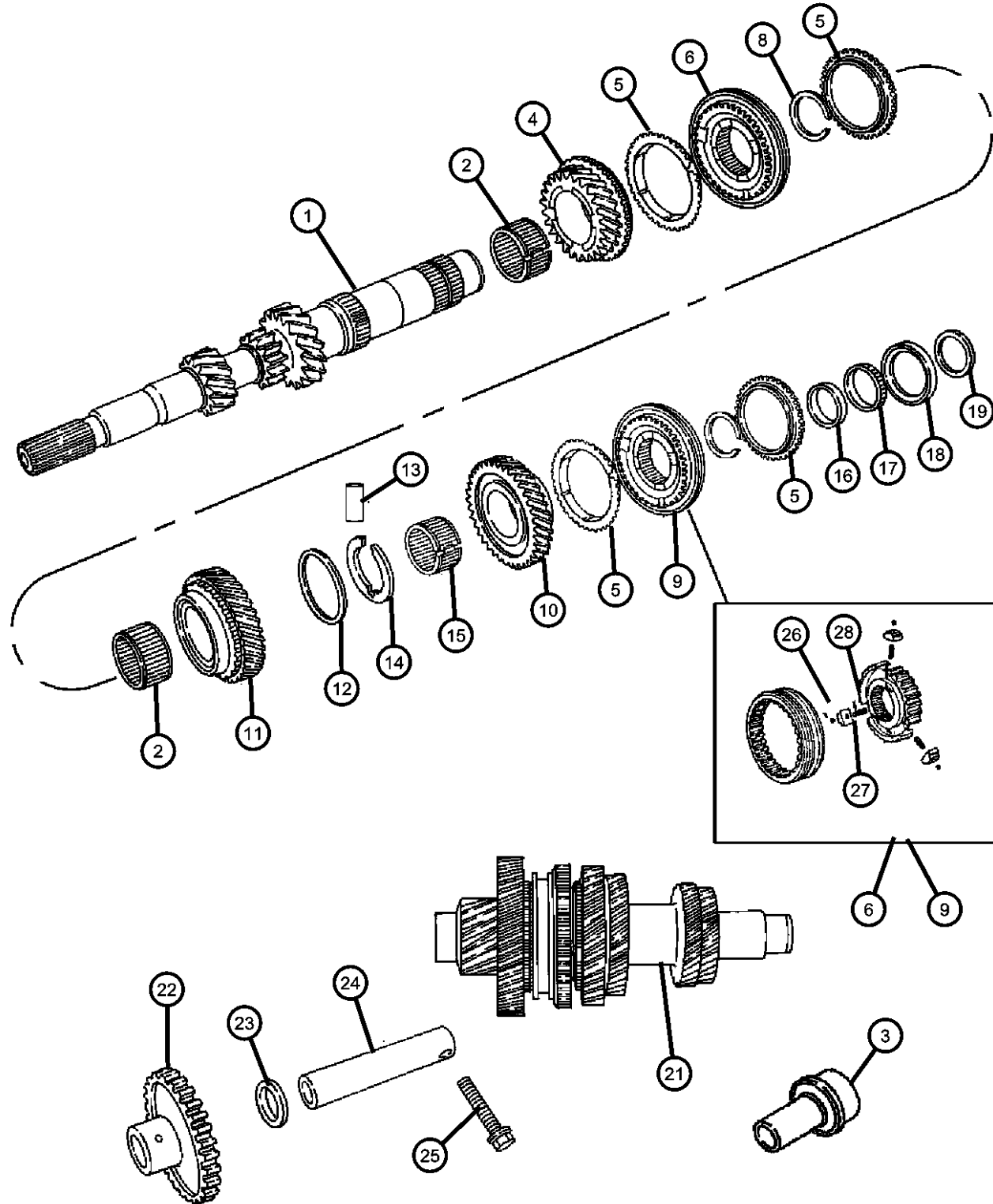
BODY
27 = 2-DR CONVERTIBLE
44 = HATCHBACK/QUAD
CAB CHASSIS LWB

ENGINE
EDJ = 2.2L 4 Cyl Turbo Diesel Engine
EDT = 2.4L 4 Cyl DOHC 16V Turbo Engine
EDV = 2.4L 4 Cyl DOHC 16V HO Turbo Engine
EDZ = 2.4L 4 Cyl DOHC 16V SMPI Engine
EJD = 1.6L 4 Cyl SOHC 16V SMPI

TRANSMISSION
DGL = 4-Speed Automatic Transmission
DD5 = 5-Speed Manual Transmission
DDD = 5-Speed HD Manual Transmission

AR = use ase required - = Non illustrated part

Gear Train
Figure T350-410



ITEM	PART NUMBER	QTY	LINE	SERIES	BODY	ENGINE	TRANS	TRIM	DESCRIPTION
1	05134959AA	1				EDZ	DD5		INPUT SHAFT PACKAGE, Transaxle
		1				EJD	DD5		
2	04762612	3				EDZ	DD5		NEEDLE BEARING
		2				EJD	DD5		
3	04761090	1				EDZ	DD5		BEARING ASSEMBLY, Input
		1				EJD	DD5		
4	05014863AA	1				EDZ	DD5		GEAR, Third
		1				EJD	DD5		
5	04761123	2				EDZ	DD5		STOP RING, Synchronizer
		2				EJD	DD5		
6	05018964AA	1				EDZ	DD5		SYNCHRONIZER, Third and Fourth
		1				EJD	DD5		
-7	04761113	3				EDZ	DD5		SPRING, Synchronizer
		3				EJD	DD5		
8	04761136	1				EJD	DD5		RING, Synchronizer Hub, Yellow
		1				EDZ	DD5		
9	05018965AA	1				EDZ	DD5		SYNCHRONIZER, Fifth
		1				EJD	DD5		

PT CRUISER (PT)

SERIES LINE
H = HIGHLINE C = CHRYSLER
P = PREMIUM Z = CHRYSLER (RHD)
S = SPORT
X = SPECIAL

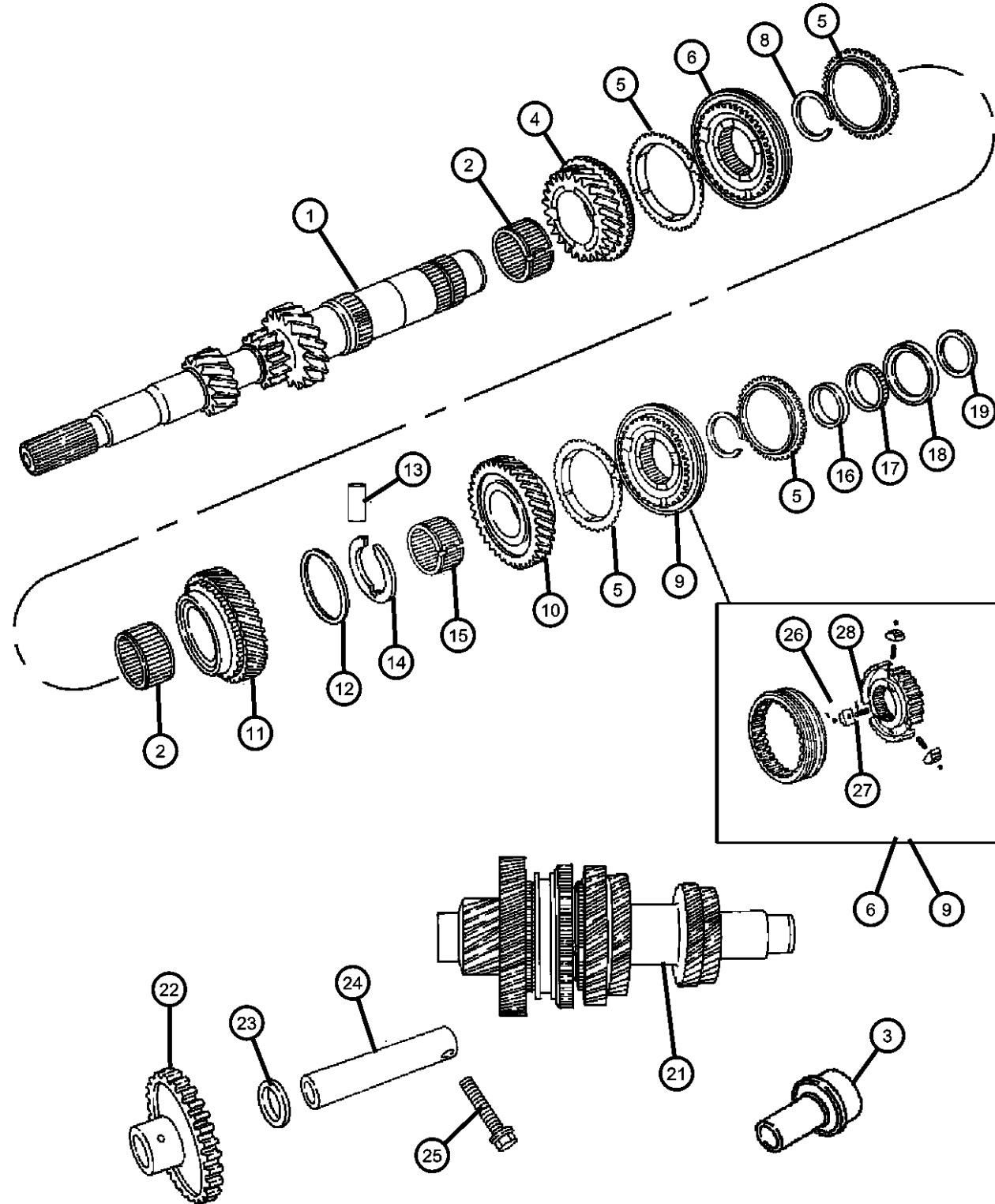
BODY
27 = 2-DR CONVERTIBLE
44 = HATCHBACK/QUAD
CAB CHASSIS LWB

ENGINE TRANSMISSION
EDJ = 2.2L 4 Cyl Turbo Diesel Engine
EDT = 2.4L 4 Cyl DOHC 16V Turbo Engine
EDV = 2.4L 4 Cyl DOHC 16V HO Turbo Engine
EDZ = 2.4L 4 Cyl DOHC 16V SMPI Engine
EJD = 1.6L 4 Cyl SOHC 16V SMPI
DGL = 4-Speed Automatic Transmission
DD5 = 5-Speed Manual Transmission
DDD = 5-Speed HD Manual Transmission

AR = use ase required - = Non illustrated part

2006 PT

Gear Train
Figure T350-410



ITEM	PART NUMBER	QTY	LINE	SERIES	BODY	ENGINE	TRANS	TRIM	DESCRIPTION
10	04761141	1				EJD	DD5		GEAR, Fifth
	04761142	1				EDZ	DD5		
11	05016877AA	1				EDZ	DD5		GEAR, Fourth
		1				EJD	DD5		
12	04761138	1				EDZ	DD5		RING, 4th Gear
		1				EJD	DD5		
13	04761140	1				EDZ	DD5		PIN, Mainshaft
		1				EJD	DD5		
14	04761137	2				EDZ	DD5		WASHER, Fourth Gear
		2				EJD	DD5		
15	04762612	3				EDZ	DD5		NEEDLE BEARING
		2				EJD	DD5		
16	04761120	1				EJD	DD5		BEARING CUP, Reverse Brake
		1				EDZ	DD5		
17	04761119	1				EJD	DD5		NEEDLE BEARING
		1				EDZ	DD5		
18	05102313AA	1				EDZ	DD5		BEARING CONE, Reverse Brake
		1				EJD	DD5		
19	04761118	1				EJD	DD5		SPACER, Reverse Brake
		1				EDZ	DD5		
-20	05003747AA	1				EDZ	DD5		RETAINER

PT CRUISER (PT)

SERIES LINE
H = HIGHLINE C = CHRYSLER
P = PREMIUM Z = CHRYSLER (RHD)
S = SPORT
X = SPECIAL

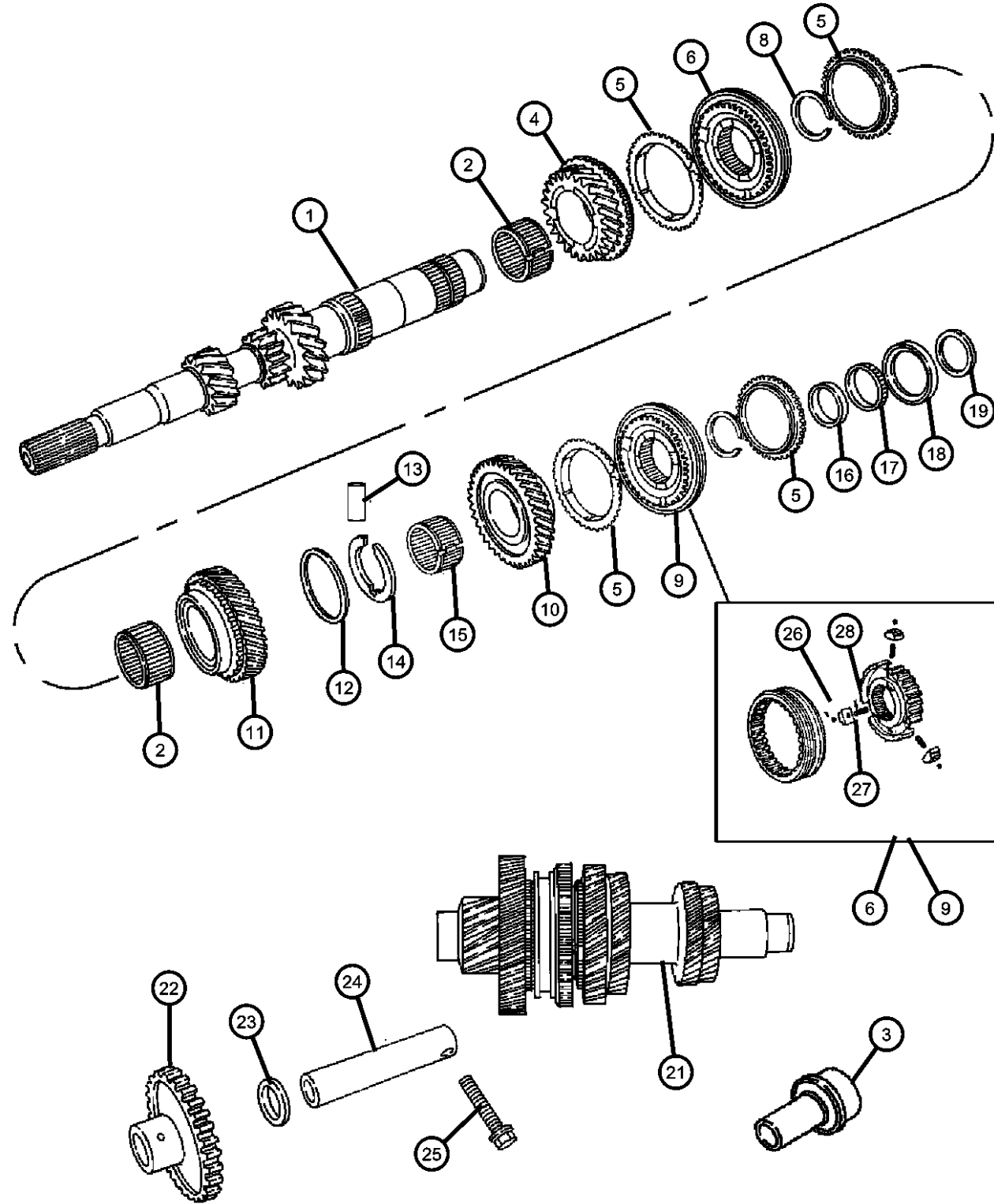
BODY
27 = 2-DR CONVERTIBLE
44 = HATCHBACK/QUAD
CAB CHASSIS LWB

ENGINE TRANSMISSION
EDJ = 2.2L 4 Cyl Turbo Diesel Engine
EDT = 2.4L 4 Cyl DOHC 16V Turbo Engine
EDV = 2.4L 4 Cyl DOHC 16V HO Turbo Engine
EDZ = 2.4L 4 Cyl DOHC 16V SMPI Engine
EJD = 1.6L 4 Cyl SOHC 16V SMPI
DGL = 4-Speed Automatic Transmission
DD5 = 5-Speed Manual Transmission
DDD = 5-Speed HD Manual Transmission

AR = use ase required - = Non illustrated part

2006 PT

Gear Train
Figure T350-410



ITEM	PART NUMBER	QTY	LINE	SERIES	BODY	ENGINE	TRANS	TRIM	DESCRIPTION
21	05018762AA	1				EJD	DD5		OUTPUT SHAFT, Transaxle
	05072975AA	1				EDZ	DD5		
22	04886482AA	1				EDZ	DD5		GEAR, Reverse Idler
		1				EJD	DD5		
23	04761127	1				EDZ	DD5		SPACER, Reverse Idler
		1				EJD	DD5		
24	04761126	1				EDZ	DD5		IDLER SHAFT, Transmission
		1				EJD	DD5		
25	06100299	13				EDZ	DD5		BOLT AND CONED WASHER, Hex Head, M8x45x17
		13				EJD	DD5		
26		13							BALL, Pivot, Serviced in Assembly, (NOT SERVICED)
27		13							KEY, Synchronizer, Serviced in Assembly, (NOT SERVICED)
28		13							SPRING, Synchronizer, Serviced in Assembly, (NOT SERVICED)

PT CRUISER (PT)

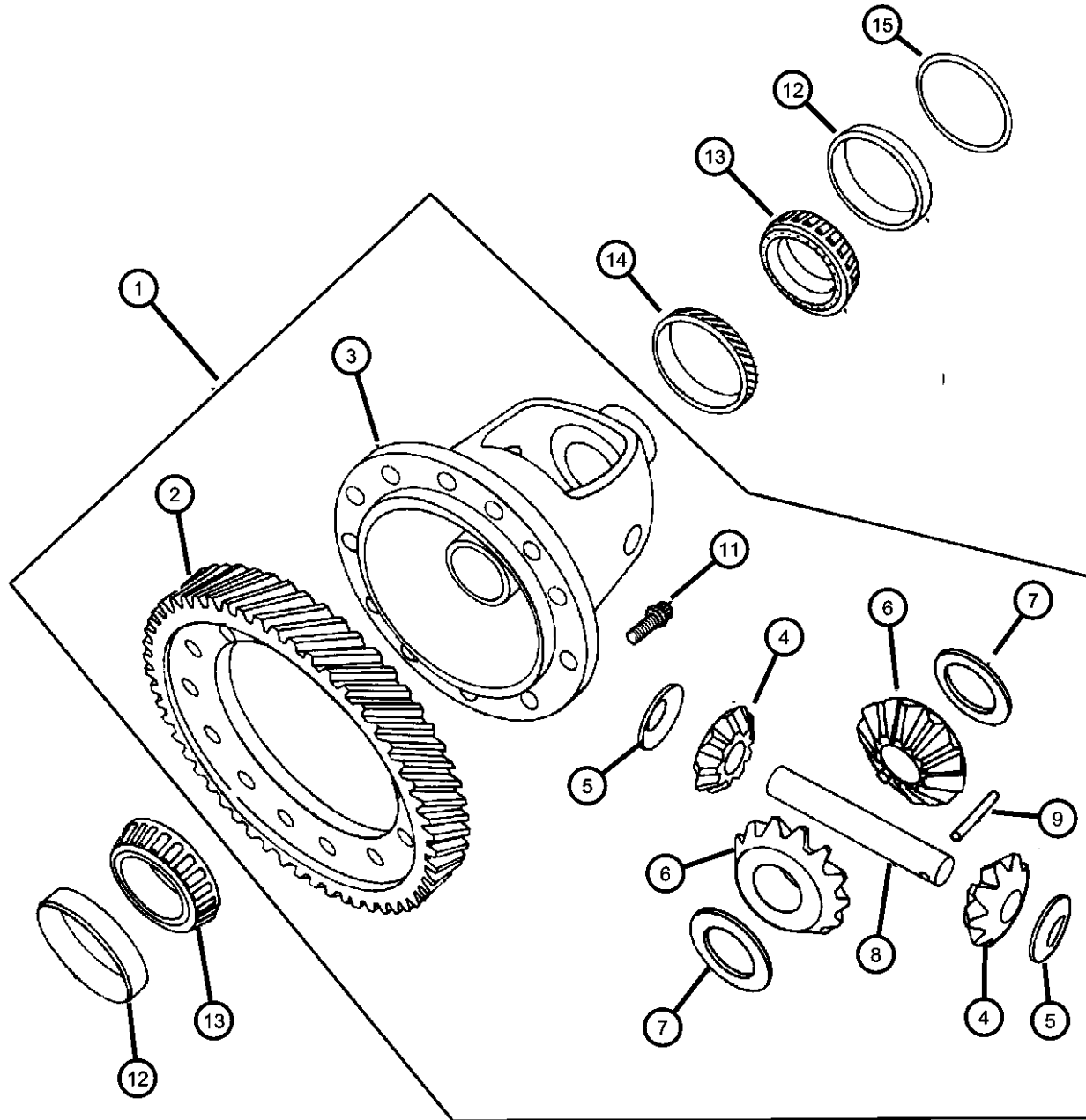
SERIES LINE
H = HIGHLINE C = CHRYSLER
P = PREMIUM Z = CHRYSLER (RHD)
S = SPORT
X = SPECIAL

BODY
27 = 2-DR CONVERTIBLE
44 = HATCHBACK/QUAD
CAB CHASSIS LWB

ENGINE TRANSMISSION
EDJ = 2.2L 4 Cyl Turbo Diesel Engine
EDT = 2.4L 4 Cyl DOHC 16V Turbo Engine
EDV = 2.4L 4 Cyl DOHC 16V HO Turbo Engine
EDZ = 2.4L 4 Cyl DOHC 16V SMPI Engine
EJD = 1.6L 4 Cyl SOHC 16V SMPI
DGL = 4-Speed Automatic Transmission
DD5 = 5-Speed Manual Transmission
DDD = 5-Speed HD Manual Transmission

AR = use ase required - = Non illustrated part

**Diferential
Figure T350-810**



ITEM	PART NUMBER	QTY	LINE	SERIES	BODY	ENGINE	TRANS	TRIM	DESCRIPTION
NOTE: Sales Codes [EJD]=1.6L 4 Cyl. SOHC 16V Engine [EDZ] = 2.4L 4 Cylinder DOHC 16V [DD5] = 5 Speed Manual Transmission - [T350]									
1									DIFFERENTIAL, Transaxle
	05017848AB	1				EDZ	DD5		
	05017892AB	1				EJD	DD5		
2									GEAR, Differential Ring
	05017849AA	1				EDZ	DD5		
	05017893AA	1				EJD	DD5		
3									CASE, Differential
	04761102AB	1				EDZ	DD5		
		1				EJD	DD5		
4									PINION, Differential
	04348679AB	2				EDZ	DD5		
		2				EJD	DD5		
5									WASHER, Pinion Thrust
	04137024	2				EDZ	DD5		
		1				EJD	DD5		
6									GEAR, Differential Side
	04659502	2				EDZ	DD5		
		2				EJD	DD5		
7									WASHER PACKAGE, Side Gear Thrust
	04504568	1				EDZ	DD5		
		1				EJD	DD5		
8									SHAFT, Pinion Gear
	05134956AA	1				EDZ	DD5		
		1				EJD	DD5		
9									PIN, Pinion Shaft
	06503827	1				EDZ	DD5		
		1				EJD	DD5		

PT CRUISER (PT)

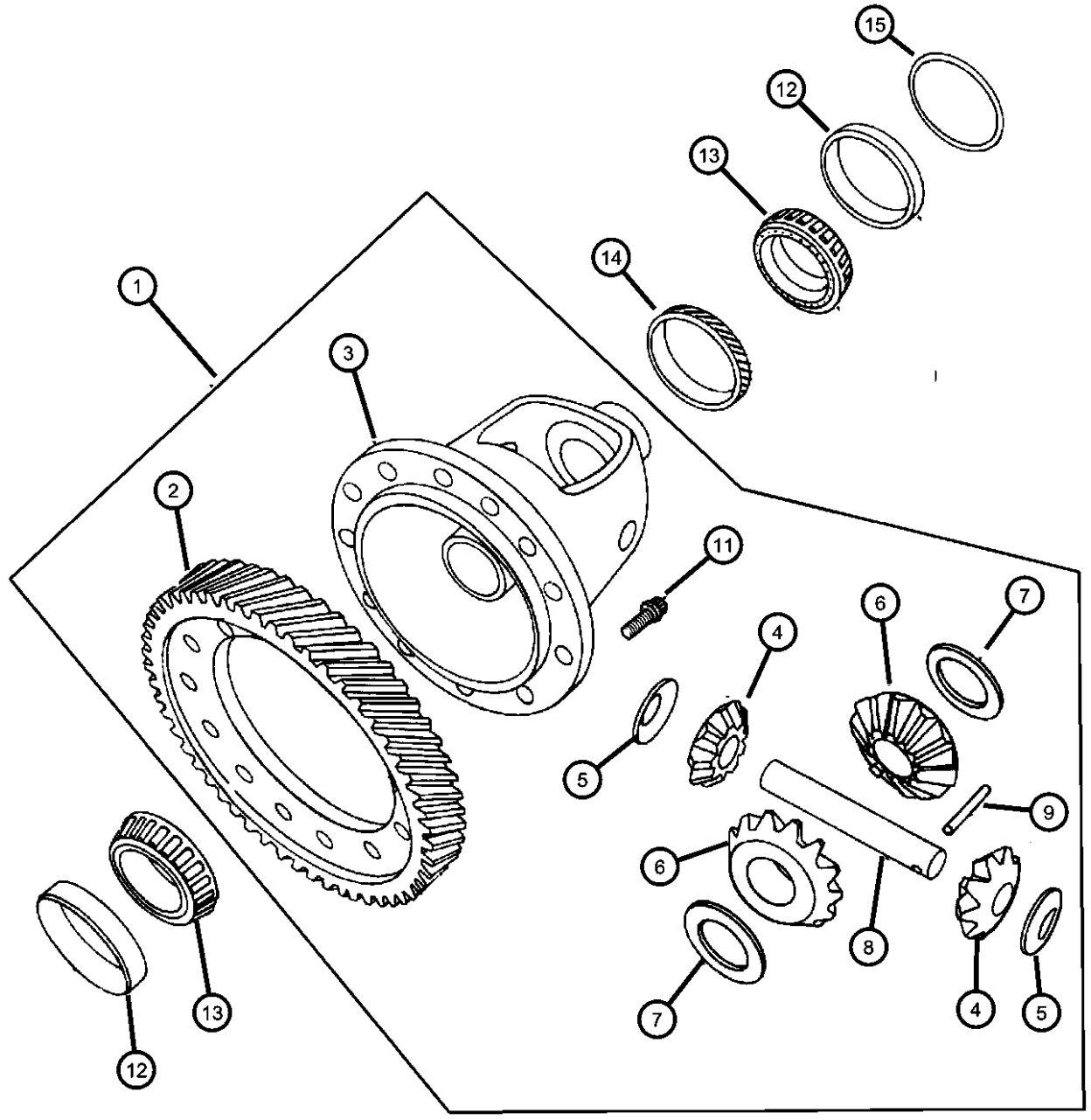
SERIES LINE
H = HIGHLINE C = CHRYSLER
P = PREMIUM Z = CHRYSLER (RHD)
S = SPORT
X = SPECIAL

BODY
27 = 2-DR CONVERTIBLE
44 = HATCHBACK/QUAD
CAB CHASSIS LWB

ENGINE TRANSMISSION
EDJ = 2.2L 4 Cyl Turbo Diesel Engine
EDT = 2.4L 4 Cyl DOHC 16V Turbo Engine
EDV = 2.4L 4 Cyl DOHC 16V HO Turbo Engine
EDZ = 2.4L 4 Cyl DOHC 16V SMPI Engine
EJD = 1.6L 4 Cyl SOHC 16V SMPI
DGL = 4-Speed Automatic Transmission
DD5 = 5-Speed Manual Transmission
DDD = 5-Speed HD Manual Transmission

AR = use ase required - = Non illustrated part

**Diferential
Figure T350-810**



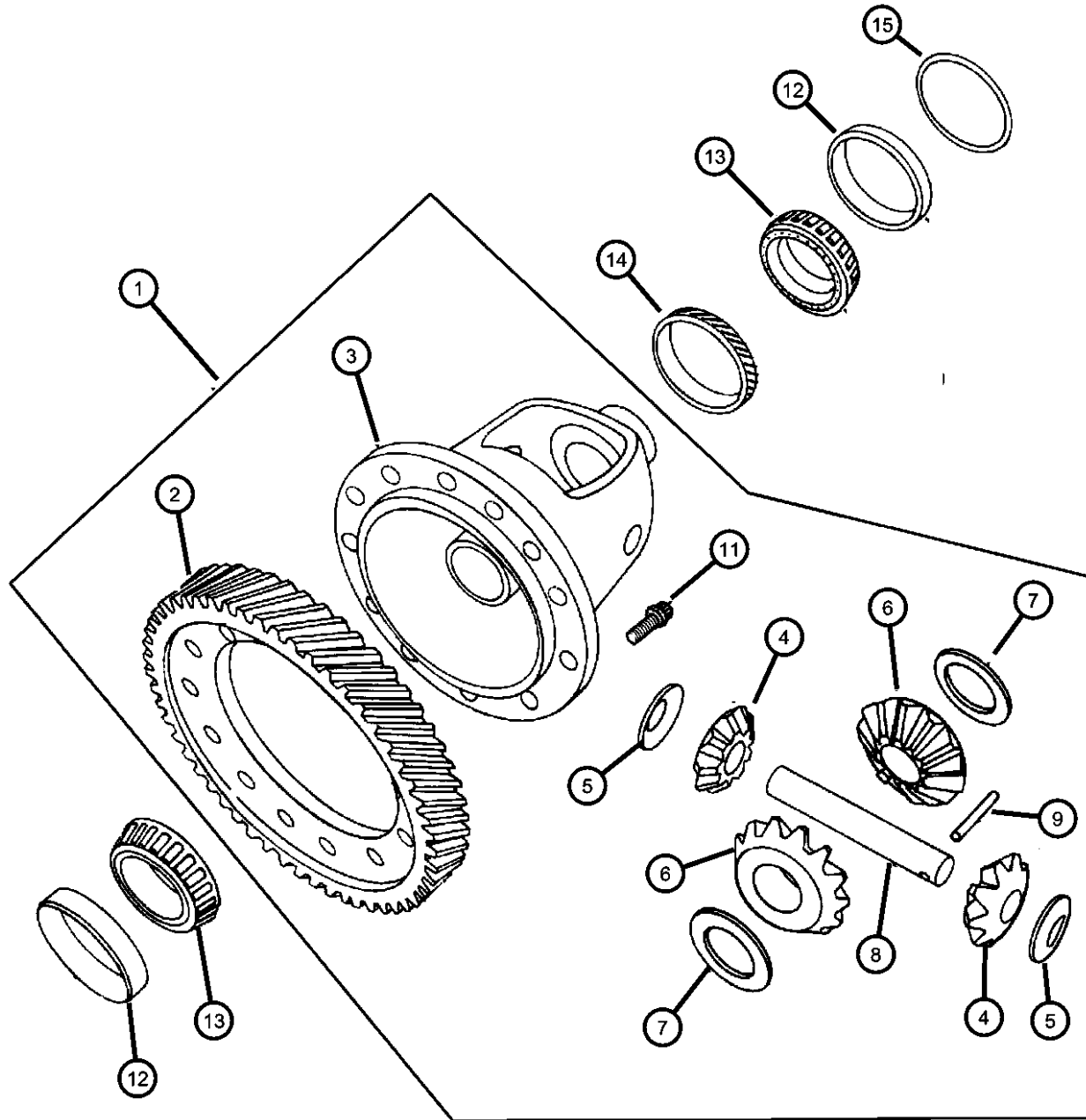
ITEM	PART NUMBER	QTY	LINE	SERIES	BODY	ENGINE	TRANS	TRIM	DESCRIPTION
-10	05134957AA	2				EDZ	DD5		BRACKET, Differential Pinion Shaft
		1				EJD	DD5		
11	05017180AA	12				EDZ	DD5		BOLT, Differential Ring Gear
		12				EJD	DD5		
12	04567022	1				EDZ	DD5		BEARING CUP, Differential
		1				EJD	DD5		
13	04567025AB	2				EDZ	DD5		BEARING CONE, Differential
		2				EJD	DD5		
14	04797316	1				EDZ	DD5		GEAR, Speedometer Drive
		1				EJD	DD5		
15	04883546AA	AR				EDZ	DD5		SHIM, Final Drive, .42mm
		AR				EJD	DD5		
-16	04883545AA	1				EJD	DD5		SHIM, Final Drive, .46mm
		1				EDZ	DD5		
-17	05222345	1				EJD	DD5		SHIM, Final Drive, .50mm
		1				EDZ	DD5		
-18	05222346	1				EJD	DD5		SHIM, Final Drive, .54mm
		1				EDZ	DD5		
-19	05222347	1				EJD	DD5		SHIM, Final Drive, .58mm
		1				EDZ	DD5		
-20									SHIM, Final Drive, .62mm

PT CRUISER (PT)

SERIES	LINE	BODY	ENGINE	TRANSMISSION
H = HIGHLINE	C = CHRYSLER	27 = 2-DR CONVERTIBLE	EDJ = 2.2L 4 Cyl Turbo Diesel Engine	DGL = 4-Speed Automatic Transmission
P = PREMIUM	Z = CHRYSLER (RHD)	44 = HATCHBACK/QUAD CAB CHASSIS LWB	EDT = 2.4L 4 Cyl DOHC 16V Turbo Engine	DD5 = 5-Speed Manual Transmission
S = SPORT			EDV = 2.4L 4 Cyl DOHC 16V HO Turbo Engine	DDD = 5-Speed HD Manual Transmission
X = SPECIAL			EDZ = 2.4L 4 Cyl DOHC 16V SMPI Engine	
			EJD = 1.6L 4 Cyl SOHC 16V SMPI	

AR = use ase required - = Non illustrated part

**Diferential
Figure T350-810**



ITEM	PART NUMBER	QTY	LINE	SERIES	BODY	ENGINE	TRANS	TRIM	DESCRIPTION
	05222348	1				EJD	DD5		
		1				EDZ	DD5		
-21	05222349	1				EJD	DD5		SHIM, Final Drive, .66mm
		1				EDZ	DD5		
-22	05222350	1				EJD	DD5		SHIM, Final Drive, .70mm
		1				EDZ	DD5		
-23	05222351	1				EJD	DD5		SHIM, Final Drive, .74mm
		1				EDZ	DD5		
-24	05222352	1				EJD	DD5		SHIM, Final Drive, .78mm
		1				EDZ	DD5		
-25	05222353	1				EJD	DD5		SHIM, Final Drive, .82mm
		1				EDZ	DD5		
-26	05222354	1				EJD	DD5		SHIM, Final Drive, .86mm
		1				EDZ	DD5		
-27	05222355	1				EJD	DD5		SHIM, Final Drive, .90mm
		1				EDZ	DD5		
-28	05222356	1				EJD	DD5		SHIM, Final Drive, .94mm
		1				EDZ	DD5		
-29	05222357	1				EJD	DD5		SHIM, Final Drive, .98mm
		1				EDZ	DD5		
-30	05222358	1				EJD	DD5		SHIM, Final Drive, 1.02mm

PT CRUISER (PT)

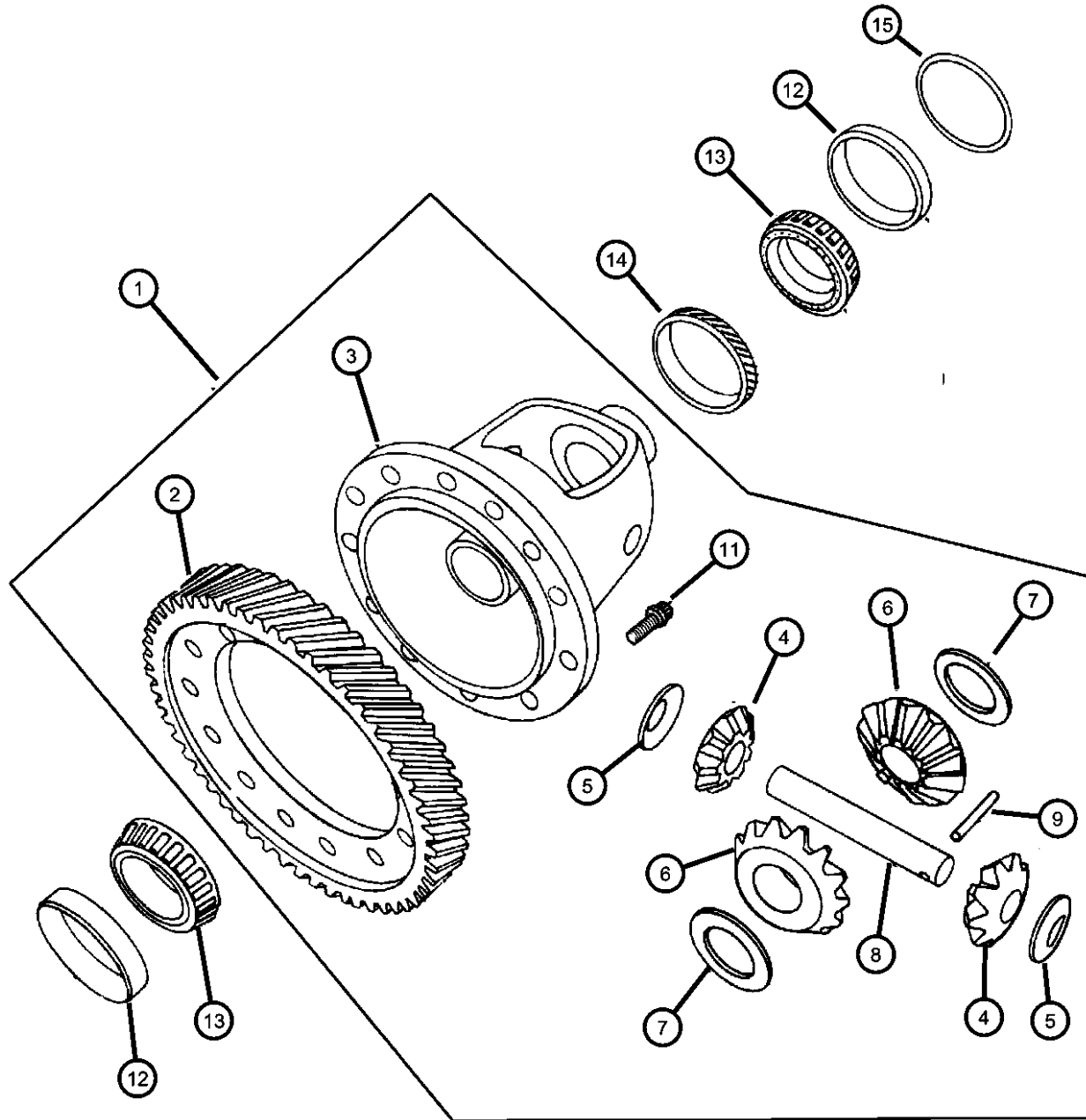
SERIES LINE
H = HIGHLINE C = CHRYSLER
P = PREMIUM Z = CHRYSLER (RHD)
S = SPORT
X = SPECIAL

BODY
27 = 2-DR CONVERTIBLE
44 = HATCHBACK/QUAD
CAB CHASSIS LWB

ENGINE TRANSMISSION
EDJ = 2.2L 4 Cyl Turbo Diesel Engine
EDT = 2.4L 4 Cyl DOHC 16V Turbo Engine
EDV = 2.4L 4 Cyl DOHC 16V HO Turbo Engine
EDZ = 2.4L 4 Cyl DOHC 16V SMPI Engine
EJD = 1.6L 4 Cyl SOHC 16V SMPI
DGL = 4-Speed Automatic Transmission
DD5 = 5-Speed Manual Transmission
DDD = 5-Speed HD Manual Transmission

AR = use ase required - = Non illustrated part

**Diferential
Figure T350-810**



ITEM	PART NUMBER	QTY	LINE	SERIES	BODY	ENGINE	TRANS	TRIM	DESCRIPTION
-31		1				EDZ	DD5		SHIM, Final Drive, 1.06mm
	05222359	1				EJD	DD5		
		1				EDZ	DD5		
-32		1							SHIM, Final Drive, 1.18mm
	05222362	1				EJD	DD5		
		1				EDZ	DD5		
-33		1							SHIM, Final Drive, 1.22mm
	05222363	1				EJD	DD5		
		1				EDZ	DD5		
-34		1							SHIM, Final Drive, 1.26mm
	05222364	1				EJD	DD5		
		1				EDZ	DD5		
-35		1							SHIM, Final Drive, 1.30mm
	05222365	1				EJD	DD5		
		1				EDZ	DD5		
-36		1							SHIM, Final Drive, 1.34mm
	05222366	1				EJD	DD5		
		1				EDZ	DD5		
-37		1							SHIM, Final Drive, 1.38mm
	05222367	1				EJD	DD5		
		1				EDZ	DD5		
-38		1							SHIM, Final Drive, 1.42mm
	05222368	1				EJD	DD5		
		1				EDZ	DD5		
-39		1							SHIM, Final Drive, 1.46mm
	05222369	1				EJD	DD5		
		1				EDZ	DD5		
-40	04659242	1				EJD			SPACER, Final Drive, 0.50mm
-41	04659243	1				EJD			SPACER, Final Drive, 0.54mm
-42	04659250	1				EJD			SPACER, Final Drive, 0.70mm

PT CRUISER (PT)

SERIES LINE
H = HIGHLINE C = CHRYSLER
P = PREMIUM Z = CHRYSLER (RHD)
S = SPORT
X = SPECIAL

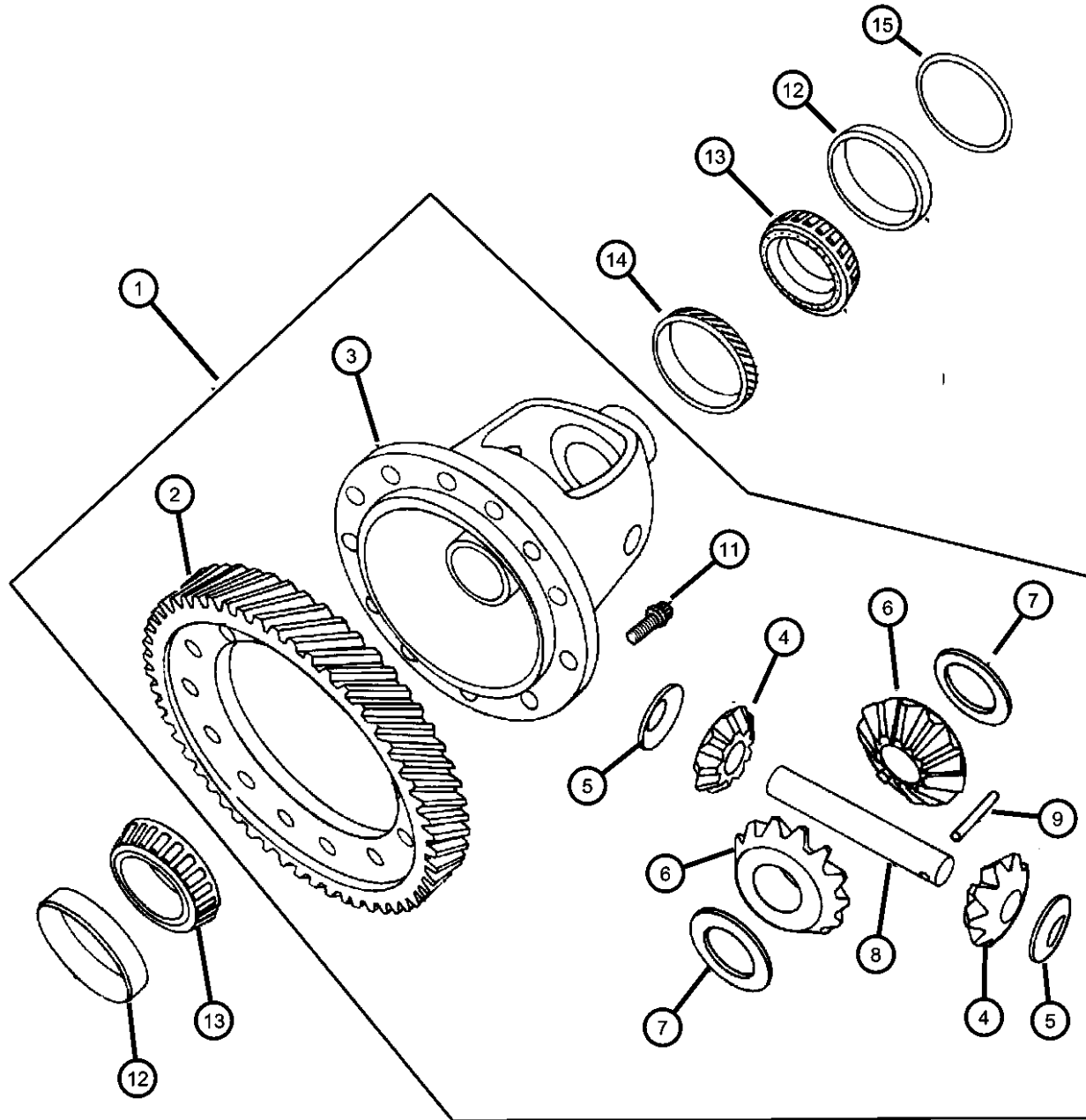
BODY
27 = 2-DR CONVERTIBLE
44 = HATCHBACK/QUAD
CAB CHASSIS LWB

ENGINE TRANSMISSION
EDJ = 2.2L 4 Cyl Turbo Diesel Engine
EDT = 2.4L 4 Cyl DOHC 16V Turbo Engine
EDV = 2.4L 4 Cyl DOHC 16V HO Turbo Engine
EDZ = 2.4L 4 Cyl DOHC 16V SMPI Engine
EJD = 1.6L 4 Cyl SOHC 16V SMPI
DGL = 4-Speed Automatic Transmission
DD5 = 5-Speed Manual Transmission
DDD = 5-Speed HD Manual Transmission

AR = use ase required - = Non illustrated part

2006 PT

**Diferential
Figure T350-810**



ITEM	PART NUMBER	QTY	LINE	SERIES	BODY	ENGINE	TRANS	TRIM	DESCRIPTION
-43	04659251	1				EJD			SPACER, Final Drive, 0.74mm
-44	04659252	1				EJD			SPACER, Final Drive, 0.78mm
-45	04659254	1				EJD			SPACER, Final Drive, 0.86mm
-46	04659255	1				EJD			SPACER, Final Drive, 0.90mm
-47	04659256	1				EJD			SPACER, Final Drive, 0.94mm
-48	05222360	1				EJD	DD5		SPACER, Final Drive, 1.10mm
-49									SPACER, Final Drive, 1.14mm
	05222361	1				EJD	DD5		
		1				EDZ	DD5		
-50									SPACER, Final Drive, 1.50mm
	05222370	1				EJD	DD5		
		1				EDZ	DD5		
-51									SPACER, Final Drive, 1.54mm
	05222371	1				EJD	DD5		
		1				EDZ	DD5		
-52									SPACER, Final Drive, 1.58mm
	05222372	1				EJD	DD5		
		1				EDZ	DD5		
-53	04659280	1				EJD			SPACER, Final Drive, 1.90mm
-54	04659281	1				EJD			SPACER, Final Drive, 1.94mm
-55	04659282	1				EJD			SPACER, Final Drive, 1.98mm

PT CRUISER (PT)

SERIES LINE
H = HIGHLINE C = CHRYSLER
P = PREMIUM Z = CHRYSLER (RHD)
S = SPORT
X = SPECIAL

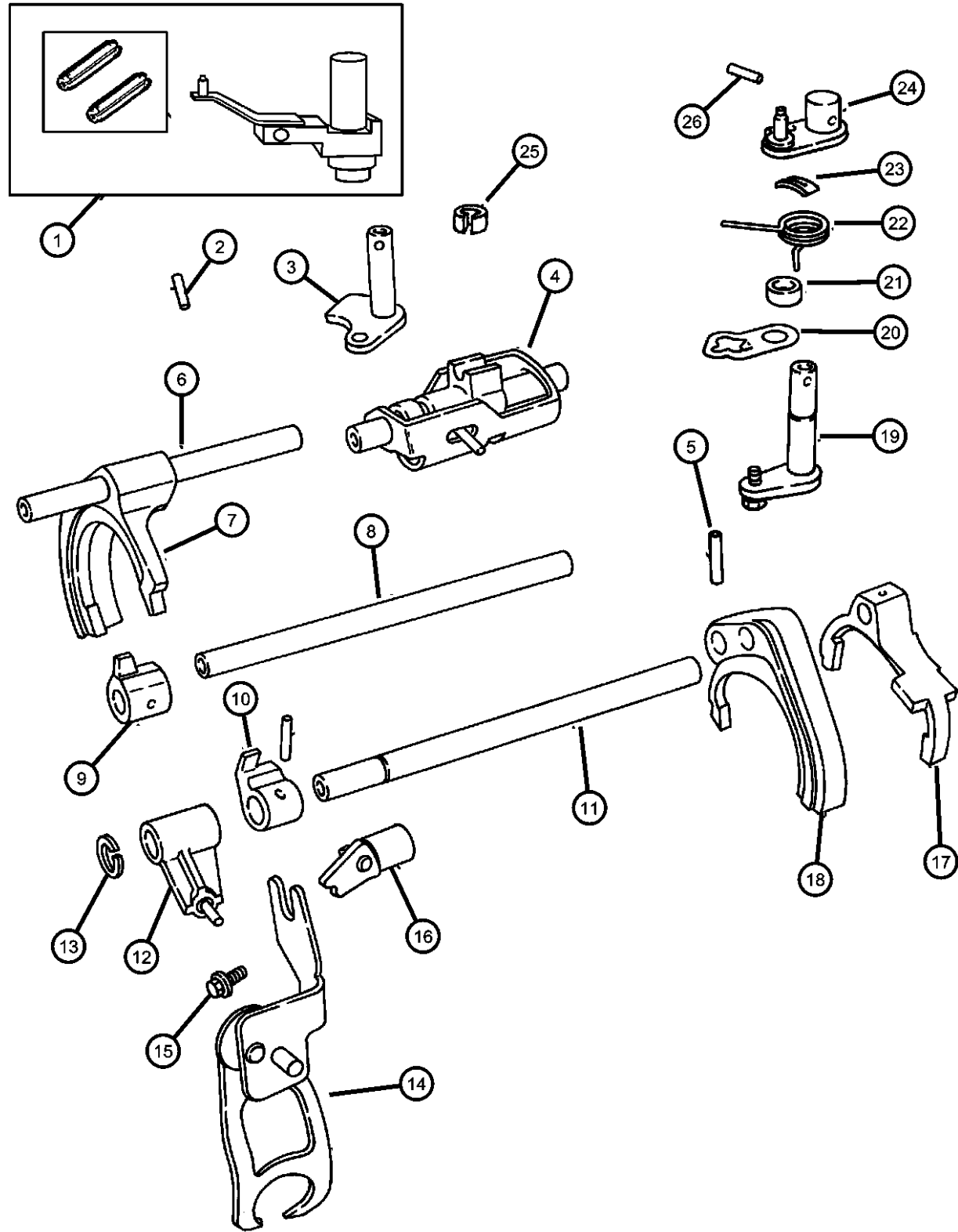
BODY
27 = 2-DR CONVERTIBLE
44 = HATCHBACK/QUAD
CAB CHASSIS LWB

ENGINE TRANSMISSION
EDJ = 2.2L 4 Cyl Turbo Diesel Engine
EDT = 2.4L 4 Cyl DOHC 16V Turbo Engine
EDV = 2.4L 4 Cyl DOHC 16V HO Turbo Engine
EDZ = 2.4L 4 Cyl DOHC 16V SMPI Engine
EJD = 1.6L 4 Cyl SOHC 16V SMPI
DGL = 4-Speed Automatic Transmission
DD5 = 5-Speed Manual Transmission
DDD = 5-Speed HD Manual Transmission

AR = use ase required - = Non illustrated part

2006 PT

Fork & Rails
Figure T350-910



ITEM	PART NUMBER	QTY	LINE	SERIES	BODY	ENGINE	TRANS	TRIM	DESCRIPTION
NOTE: Sales Codes: [EDZ]=2.4L 4 Cyl. DOHC 16V Engine [EJD]=1.6L 4 Cyl. SOHC 16V Engine [DD5]=5 Speed Manual Transmission - [T350]									
1	05014465AA	1				EJD	DD5		LEVER PACKAGE, Gearshift PIN, Shift Shaft
2	04778249	1				EDZ	DD5		
		1				EJD	DD5		
3	04773411	1				EDZ	DD5		SHAFT, Detent
		1				EJD	DD5		
4	04761146	1				EDZ	DD5		BLOCKER, Shift
		1				EJD	DD5		
5	05010082AB	1				EDZ	DD5		PIN, Roll
		1				EJD	DD5		
6	04761176	1				EDZ	DD5		RAIL, First and Second Shift
		1				EJD	DD5		
7	04796649	1				EDZ	DD5		FORK, Transmission 1/2 Shift
		1				EJD	DD5		1/2 Shift
8	05014862AA	1				EDZ	DD5		RAIL, Third and Fourth Shift
		1				EJD	DD5		
9	04761179	1				EDZ	DD5		LUG, Third and Fourth Shift
		1				EJD	DD5		
10	04761181	1				EDZ	DD5		LUG, Fifth and Reverse
		1				EJD	DD5		

PT CRUISER (PT)

SERIES LINE
H = HIGHLINE C = CHRYSLER
P = PREMIUM Z = CHRYSLER (RHD)
S = SPORT
X = SPECIAL

BODY
27 = 2-DR CONVERTIBLE
44 = HATCHBACK/QUAD
CAB CHASSIS LWB

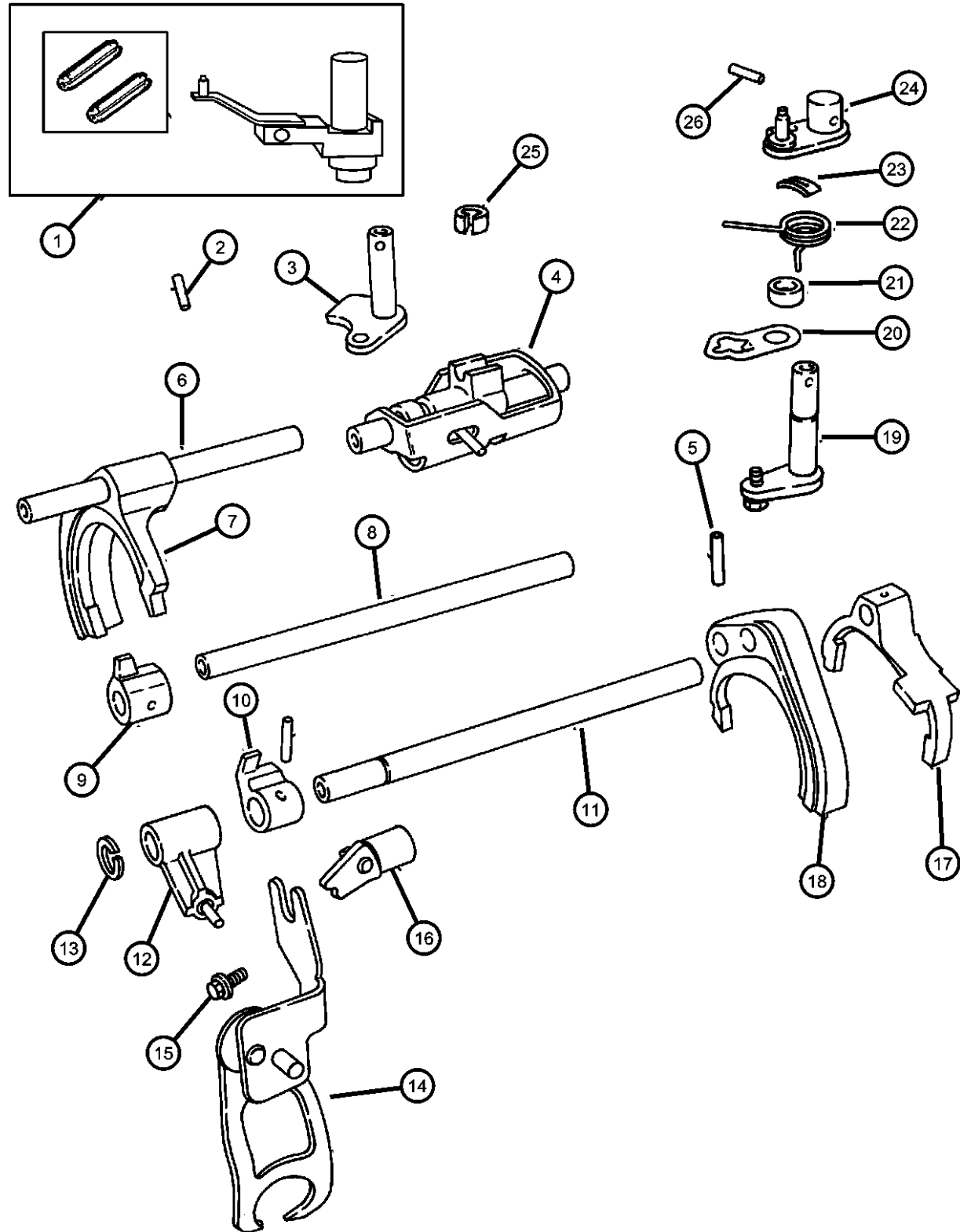
ENGINE
EDJ = 2.2L 4 Cyl Turbo Diesel Engine
EDT = 2.4L 4 Cyl DOHC 16V Turbo Engine
EDV = 2.4L 4 Cyl DOHC 16V HO Turbo Engine
EDZ = 2.4L 4 Cyl DOHC 16V SMPI Engine
EJD = 1.6L 4 Cyl SOHC 16V SMPI

TRANSMISSION
DGL = 4-Speed Automatic Transmission
DD5 = 5-Speed Manual Transmission
DDD = 5-Speed HD Manual Transmission

AR = use ase required - = Non illustrated part

2006 PT

Fork & Rails
Figure T350-910



ITEM	PART NUMBER	QTY	LINE	SERIES	BODY	ENGINE	TRANS	TRIM	DESCRIPTION
11									RAIL, Fifth and Reverse Shift
	04761180	1				EDZ	DD5		
		1				EJD	DD5		
12									ARM, Reverse Lever
	04761182	1				EDZ	DD5		
		1				EJD	DD5		
13									SNAP RING
	06501862	1				EDZ	DD5		
		1				EJD	DD5		
14									BRACKET, Reverse Shift Rod
	04761152	1				EDZ	DD5		
		1				EJD	DD5		
15									SCREW, Reverse Bracket
	04761153	2				EDZ	DD5		
		2				EJD	DD5		
16									CAM, Reverse Block
	04761154	1				EDZ	DD5		
		1				EJD	DD5		
17									FORK, Transmission 3/4 Shift
	04796650	1				EDZ	DD5		
		1				EJD	DD5		
18									FORK, Transmission Fifth & Reverse
	04874137	1				EDZ	DD5		
		1				EJD	DD5		
19									LEVER, Crossover
	04761147	1				EDZ	DD5		
		1				EJD	DD5		
20									PLATE, Crossover Stop
	04761148	1				EDZ	DD5		
		1				EJD	DD5		
21									SPACER, Inner Crossover Lever

PT CRUISER (PT)

SERIES H = HIGHLINE P = PREMIUM S = SPORT X = SPECIAL
 LINE C = CHRYSLER Z = CHRYSLER (RHD)

BODY 27 = 2-DR CONVERTIBLE
 44 = HATCHBACK/QUAD CAB CHASSIS LWB

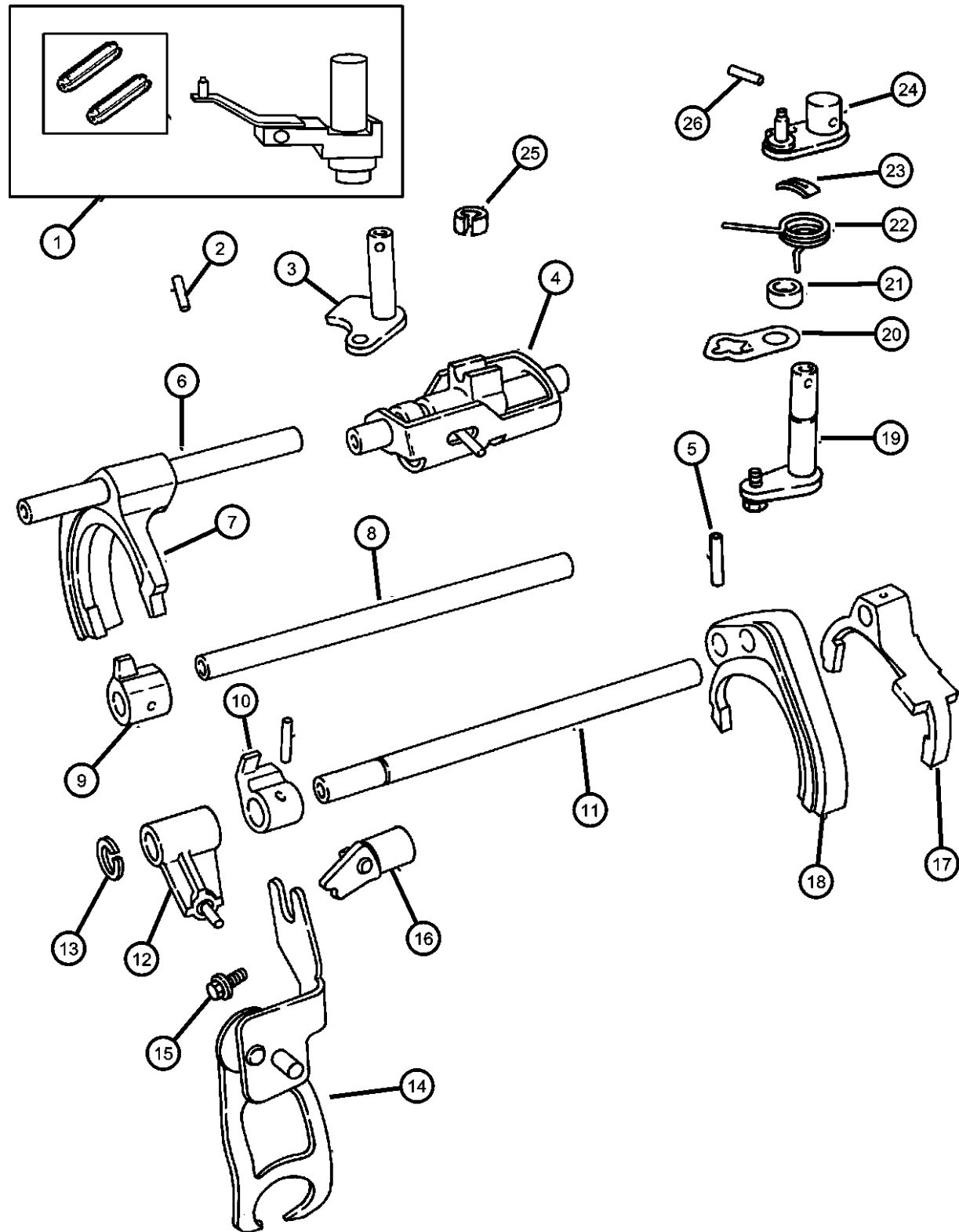
ENGINE EDJ = 2.2L 4 Cyl Turbo Diesel Engine
 EDT = 2.4L 4 Cyl DOHC 16V Turbo Engine
 EDV = 2.4L 4 Cyl DOHC 16V HO Turbo Engine
 EDZ = 2.4L 4 Cyl DOHC 16V SMPI Engine
 EJD = 1.6L 4 Cyl SOHC 16V SMPI

TRANSMISSION DGL = 4-Speed Automatic Transmission
 DD5 = 5-Speed Manual Transmission
 DDD = 5-Speed HD Manual Transmission

AR = use ase required - = Non illustrated part

2006 PT

Fork & Rails
Figure T350-910



ITEM	PART NUMBER	QTY	LINE	SERIES	BODY	ENGINE	TRANS	TRIM	DESCRIPTION
	04761151	1				EDZ	DD5		
		1				EJD	DD5		
22	04761149	1				EDZ	DD5		SPRING, Crossover Lever
		1				EJD	DD5		
23	04761150	1				EDZ	DD5		RETAINER, Spring
		1				EJD	DD5		
24	04761143	1				EDZ	DD5		LEVER, Crossover
		1				EJD	DD5		
25	04761158	1				EDZ	DD5		CLIP, Detent Shaft
		1				EJD	DD5		
26	04762603	1				EDZ	DD5		PIN, Shift Shaft
		1				EJD	DD5		

PT CRUISER (PT)

SERIES LINE
H = HIGHLINE C = CHRYSLER
P = PREMIUM Z = CHRYSLER (RHD)
S = SPORT
X = SPECIAL

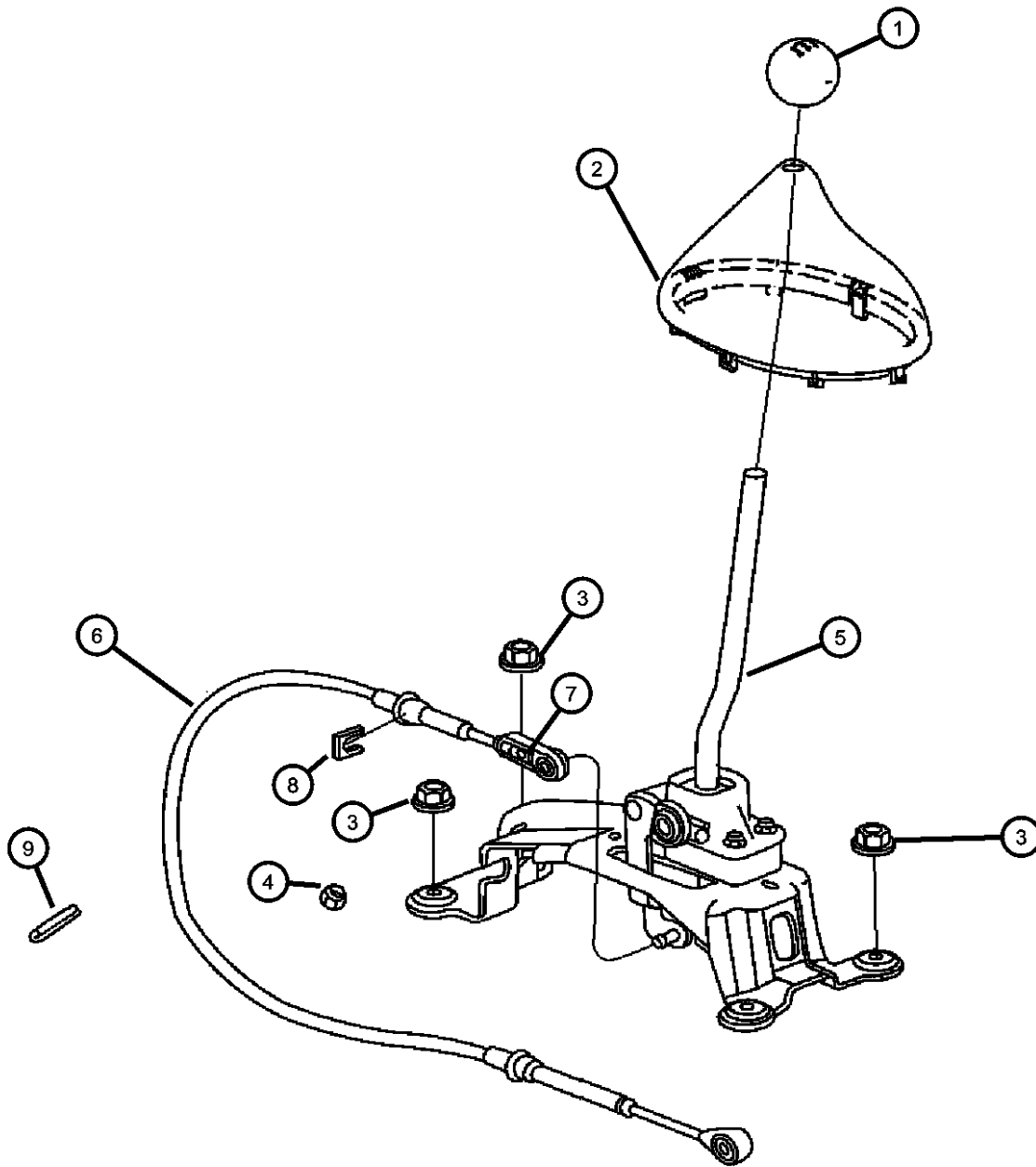
BODY
27 = 2-DR CONVERTIBLE
44 = HATCHBACK/QUAD
CAB CHASSIS LWB

ENGINE TRANSMISSION
EDJ = 2.2L 4 Cyl Turbo Diesel Engine
EDT = 2.4L 4 Cyl DOHC 16V Turbo Engine
EDV = 2.4L 4 Cyl DOHC 16V HO Turbo Engine
EDZ = 2.4L 4 Cyl DOHC 16V SMPI Engine
EJD = 1.6L 4 Cyl SOHC 16V SMPI
DGL = 4-Speed Automatic Transmission
DD5 = 5-Speed Manual Transmission
DDD = 5-Speed HD Manual Transmission

AR = use ase required - = Non illustrated part

2006 PT

Gearshift Control
Figure T350-1210



ITEM	PART NUMBER	QTY	LINE	SERIES	BODY	ENGINE	TRANS	TRIM	DESCRIPTION
NOTE: Sales Codes: [CVZ]=Silver Shift Knob [CVQ]= White Shift Knob [DD5]= 5 Speed Manual Transmission - [T350] [EDV]=2.4L I4 DOHC 16V H.o. Engine [EDZ]=2.4L 4 Cyl. DOHC 16V Engine [EJD]=1.6L 4 Cylinder SOHC 16V SMPI Engine									
1									KNOB, Gearshift
	1BX45BDAAA	1				EDZ, EJD	DD5		With Sales Code [CEK] & With [DA]
	1BX45DKAAA	1				EDZ, EJD	DD5		With Sales Code [CEK] & With [KA]
		1				EDZ, EJD	DD5		With Sales Code [CVZ] & With [KA] Order Code
	1BX46XZ2AA	1				EDZ, EJD	DD5		With Sales Code [CVZ]
2									BOOT, Gearshift
	0TM13BDAAA	1					DD5, DDD		With [DA] Order Code
	0TM13DKAAA	1					DD5, DDD		With [KA] Order Code
3	06101695	4					DD5, DDD		NUT, Hex Flange Lock
4	06502676	3							NUT, Hex, M6x1.00
5	04668427AD	1				EDZ, EJD	DD5		SHIFTER, Transmission
6	04668268	1				EDZ, EJD	DD5		CABLE, Gearshift Control
7									SCREW AND WASHER, Hex Head, M5x.8x14
	06500776	1		C		EDZ	DD5		
		1		C		EJD	DD5		
8	06501326	2					DD5, DDD		CLIP, Moulding
9									PIN, Shift Shaft
	04761145	1				EDZ	DD5		
		1				EJD	DD5		

PT CRUISER (PT)

SERIES LINE
H = HIGHLINE C = CHRYSLER
P = PREMIUM Z = CHRYSLER (RHD)
S = SPORT
X = SPECIAL

BODY
27 = 2-DR CONVERTIBLE
44 = HATCHBACK/QUAD
CAB CHASSIS LWB

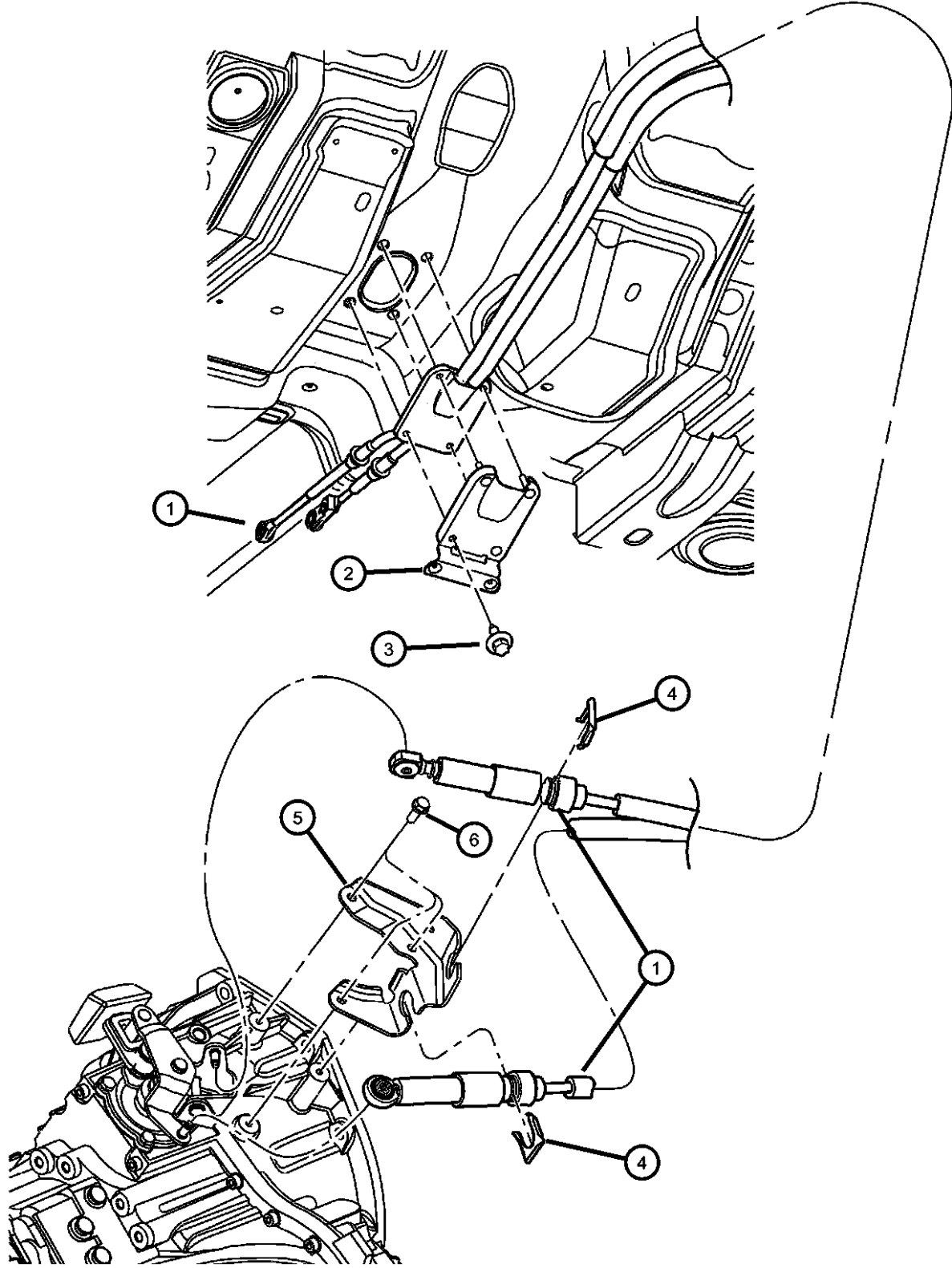
ENGINE
EDJ = 2.2L 4 Cyl Turbo Diesel Engine
EDT = 2.4L 4 Cyl DOHC 16V Turbo Engine
EDV = 2.4L 4 Cyl DOHC 16V HO Turbo Engine
EDZ = 2.4L 4 Cyl DOHC 16V SMPI Engine
EJD = 1.6L 4 Cyl SOHC 16V SMPI

TRANSMISSION
DGL = 4-Speed Automatic Transmission
DD5 = 5-Speed Manual Transmission
DDD = 5-Speed HD Manual Transmission

AR = use ase required - = Non illustrated part

2006 PT

**Cable Mounting
Figure T350-1220**



ITEM	PART NUMBER	QTY	LINE	SERIES	BODY	ENGINE	TRANS	TRIM	DESCRIPTION
------	-------------	-----	------	--------	------	--------	-------	------	-------------

NOTE:
Sales Codes:
[CVZ]=Silver Shift Knob
[DDD]=5 Speed Heavy Duty Manual Transmission - G288
[DD5]=5 Speed Manual Transmission - A578
[EDZ]=2.4L 4 Cyl. DOHC 16V Engine
[EJD]=1.6L 4 Cyl. SOHC 16V Engine

1	04668268	1				EDZ, EJD	DD5		CABLE, Gearshift Control
2	04670042AG	1							PLATE, Transmission Shifter
3	06034716	1							SCREW AND WASHER, Hex Flange Head, .25-14x.875
4	04269830	2					DD5, DDD		CLIP, Cable
5	04668315AB	1				EDZ, EJD	DD5		BRACKET, Transmission Control Cable
6	06101611	3					DD5, DDD		SCREW AND WASHER, Hex Head, M8x1.25x25

PT CRUISER (PT)				
SERIES	LINE	BODY	ENGINE	TRANSMISSION
H = HIGHLINE	C = CHRYSLER	27 = 2-DR CONVERTIBLE	EDJ = 2.2L 4 Cyl Turbo Diesel Engine	DGL = 4-Speed Automatic Transmission
P = PREMIUM	Z = CHRYSLER (RHD)	44 = HATCHBACK/QUAD CAB CHASSIS LWB	EDT = 2.4L 4 Cyl DOHC 16V Turbo Engine	DD5 = 5-Speed Manual Transmission
S = SPORT			EDV = 2.4L 4 Cyl DOHC 16V HO Turbo Engine	DDD = 5-Speed HD Manual Transmission
X = SPECIAL			EDZ = 2.4L 4 Cyl DOHC 16V SMPI Engine	
			EJD = 1.6L 4 Cyl SOHC 16V SMPI	

AR = use ase required - = Non illustrated part

Group - 21P

Speedometer Pinions

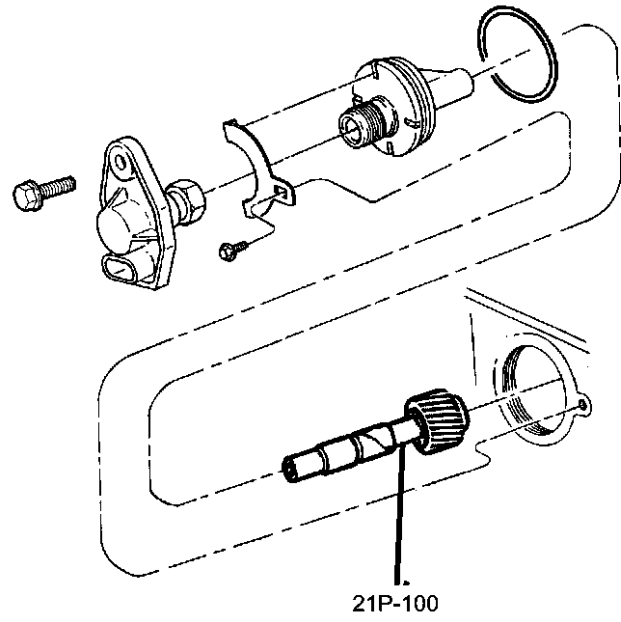
Group - 21P Speedometer Pinions

Group-Fig. No.

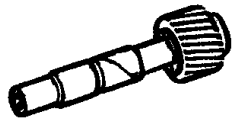
Illustration Title

Speedometer Pinions

Pinion, Speedometer..... Fig. 21P - 110

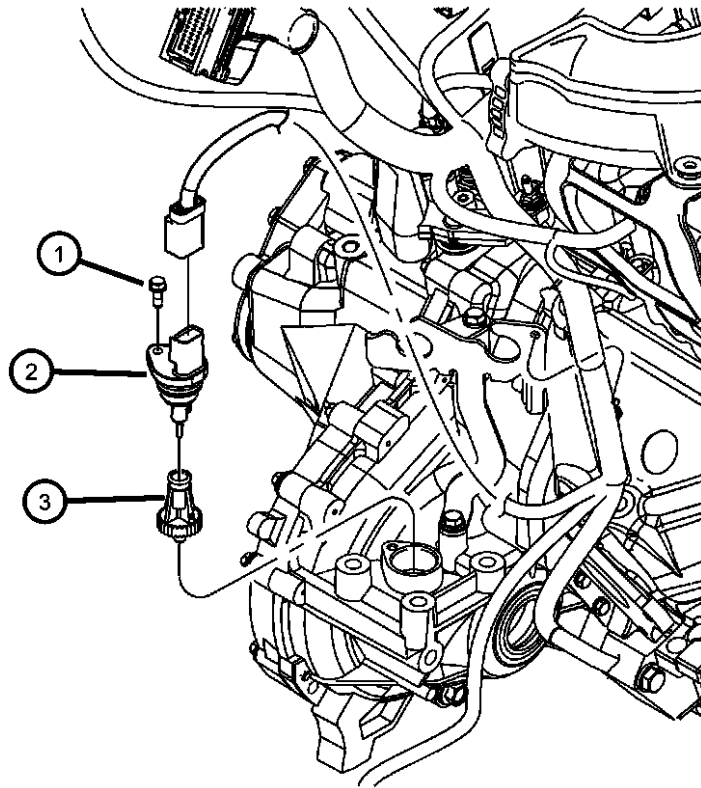


21P-100
Speedometer Pinions



**Pinion, Speedometer
Figure 21P-110**

ITEM	PART NUMBER	QTY	LINE	SERIES	BODY	ENGINE	TRANS	TRIM	DESCRIPTION
Automatic Transmission [DGL] & Heavy Duty Manual Transmission [DDD] Do Not Use Speedometer Pinion									
Sales Codes:									
[DDD]=5 Speed Manual Transmission									
[DD5]=5 Speed Manual Transmission									
[EDJ]=2.2L Turbo Diesel Engine									
[EJD]=1.6L 4 Cyl. 16-V Engine									
1	06501714	2							SCREW AND WASHER, Hex Head, M6x1x18
2	04707839AA	1				EDZ, EJD	DD5		SENSOR, Vehicle Speed
3	04670082AB	1					DD5		PINION, Speedometer Drive, Red



PT CRUISER (PT)

SERIES LINE
H = HIGHLINE C = CHRYSLER
P = PREMIUM Z = CHRYSLER (RHD)
S = SPORT
X = SPECIAL

BODY
27 = 2-DR CONVERTIBLE
44 = HATCHBACK/QUAD
CAB CHASSIS LWB

ENGINE TRANSMISSION
EDJ = 2.2L 4 Cyl Turbo Diesel Engine
EDT = 2.4L 4 Cyl DOHC 16V Turbo Engine
EDV = 2.4L 4 Cyl DOHC 16V HO Turbo Engine
EDZ = 2.4L 4 Cyl DOHC 16V SMPI Engine
EJD = 1.6L 4 Cyl SOHC 16V SMPI
DGL = 4-Speed Automatic Transmission
DD5 = 5-Speed Manual Transmission
DDD = 5-Speed HD Manual Transmission

AR = use ase required - = Non illustrated part

2006 PT

Group - 22

Wheels, Covers and Jacks

Group - 22 Wheels, Covers and Jacks

Illustration Title

Group-Fig. No.

Wheels and Hardware

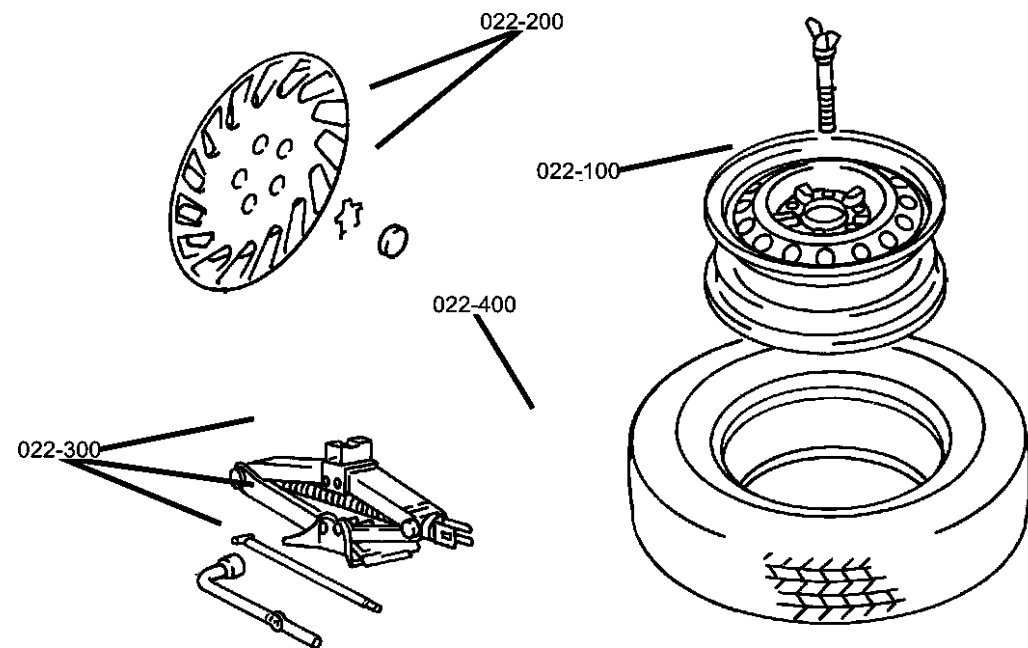
Wheels and Related Parts.....Fig. 22 - 110

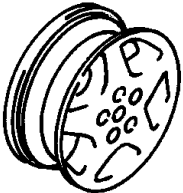
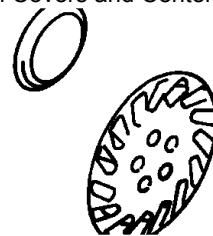
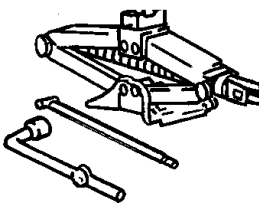
Wheel Covers and Center Caps

Covers, Wheel.....Fig. 22 - 210

Jack Stowage

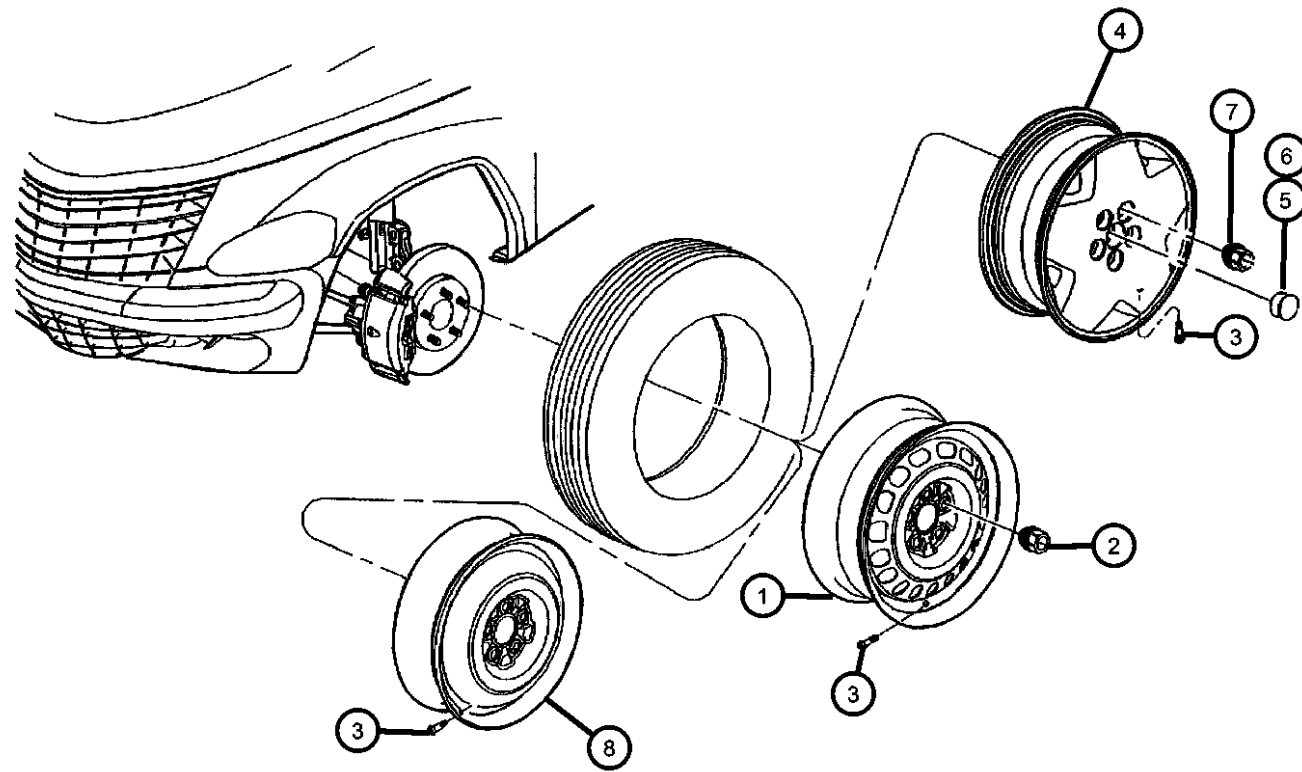
Jack and Spare Tire Stowage.....Fig. 22 - 310



<p>022-100 Wheels and Hardware</p> 	<p>022-200 Wheel Covers and Center Caps</p> 	<p>022-300 Jack Stowage</p> 	
---	--	---	--

Wheels and Related Parts
Figure 22-110

ITEM	PART NUMBER	QTY	LINE	SERIES	BODY	ENGINE	TRANS	TRIM	DESCRIPTION
NOTE:Sales Codes:									
[WCF] = 15X6.0 Black Wheels									
[WD9] = 16X6.0 Aluminum Chrome Clad Wheels									
[WFX] = 17X7.0 Aluminum Wheels									
[WFW] = 17X7.5 Aluminum Wheels									
[WF9] = 17X6.0 Aluminum Satin Silver Wheels									
[WGE] = 17X6.0 Aluminum Chrome Wheels									
[WGK] = 17X7.0 Aluminum Chrome Wheels									
[WN4] = 16X6.0 Aluminum Chrome Clad Wheels									
1	05272864AC	4							WHEEL, Steel, [WCF]
2	06504672	20							NUT, Wheel, M12x1.5, [WCF]
3	02073355	5							STEM, Wheel Valve, [WCF]
4									WHEEL, Aluminum
	05085550AA	4							[WLE]
	05085551AB	4	C				44		[WGX]
	05272920AA	4							[WGK]
	0UP00PAKAB	4							[WN2]
	0XJ55PAKAB	4					27		[WFX]
	0ZK05PAKAA	4							[WNS]
	1BD19PAKAB	4							[WEQ]
5									CAP, Wheel Center
	04782867AA	4							[WGX]
	05272812AA	4							[WGK]
	0TP02PAKAA	4							[WN2]
	0XP21PAKAA	4							[WFX]
6	0SE30PAKAA	4							CAP, Wheel Center, Machine Finish Aluminum, [WNS]
7	06502738	20							NUT, Wheel Chrome, M12x1.5, [WFX,WGX,WNS,WN2]
8	05272960AA	1							WHEEL, Steel, Spare, [TBC]



PT CRUISER (PT)

SERIES LINE
H = HIGHLINE C = CHRYSLER
P = PREMIUM Z = CHRYSLER (RHD)
S = SPORT
X = SPECIAL

BODY
27 = 2-DR CONVERTIBLE
44 = HATCHBACK/QUAD CAB CHASSIS LWB

ENGINE
EDJ = 2.2L 4 Cyl Turbo Diesel Engine
EDT = 2.4L 4 Cyl DOHC 16V Turbo Engine
EDV = 2.4L 4 Cyl DOHC 16V HO Turbo Engine
EDZ = 2.4L 4 Cyl DOHC 16V SMPI Engine
EJD = 1.6L 4 Cyl SOHC 16V SMPI

TRANSMISSION
DGL = 4-Speed Automatic Transmission
DD5 = 5-Speed Manual Transmission
DDD = 5-Speed HD Manual Transmission

AR = use ase required - = Non illustrated part

2006 PT

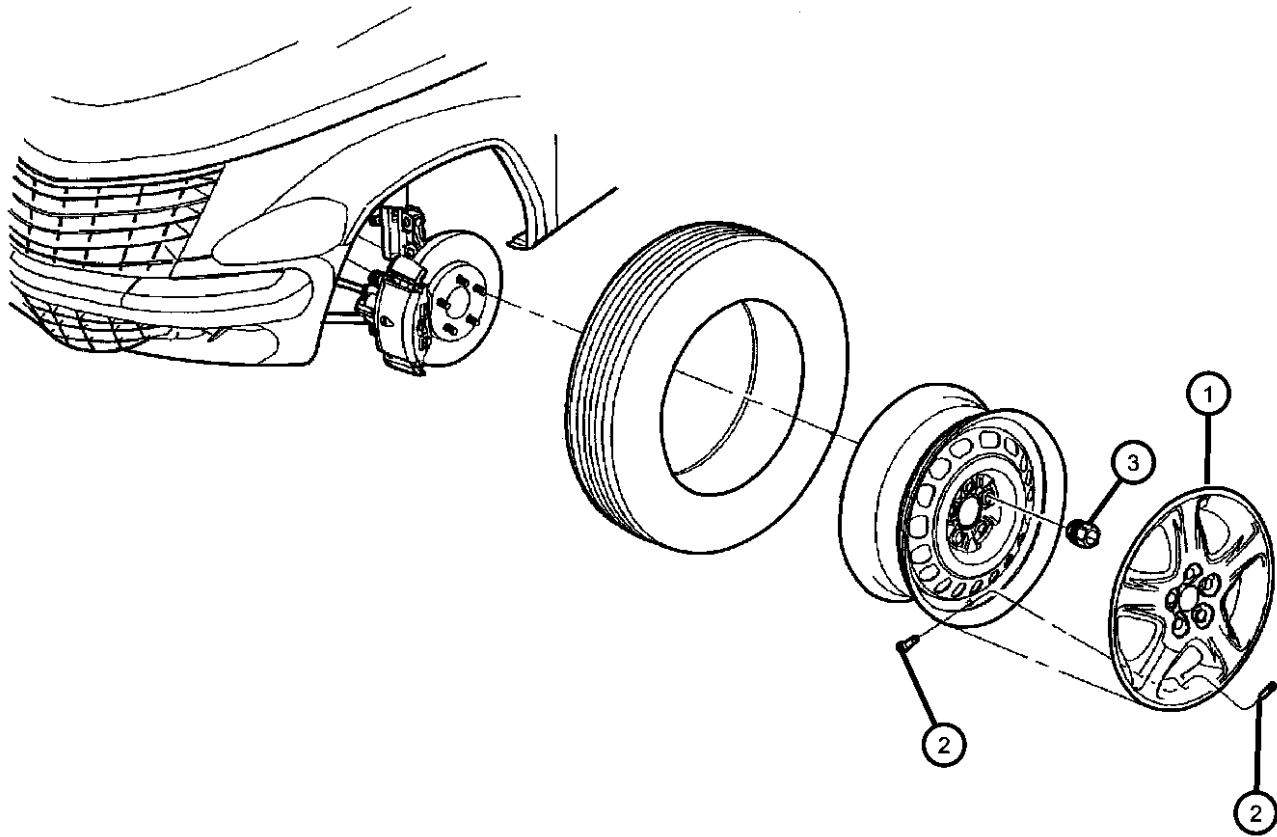
**Covers, Wheel
Figure 22-210**

ITEM	PART NUMBER	QTY	LINE	SERIES	BODY	ENGINE	TRANS	TRIM	DESCRIPTION
------	-------------	-----	------	--------	------	--------	-------	------	-------------

NOTE:Sales Code

- [W5W] = Wheel Covers 15 inch
- [WD6] = 16 inch Wheels, Aluminum, Chrome
- [WNE] = 16 inch Wheels, Aluminum, Chrome
- [WNX] = 16 inch Wheels, Aluminum
- [W5F] = 15 inch Bolt-On

1	05272360AA	4							COVER, Wheel, [W5W]
2	02073355	5							STEM, Wheel Valve
3	06504672	20							NUT, Wheel, M12x1.5



PT CRUISER (PT)

SERIES LINE
H = HIGHLINE C = CHRYSLER
P = PREMIUM Z = CHRYSLER (RHD)
S = SPORT
X = SPECIAL

BODY
27 = 2-DR CONVERTIBLE
44 = HATCHBACK/QUAD
CAB CHASSIS LWB

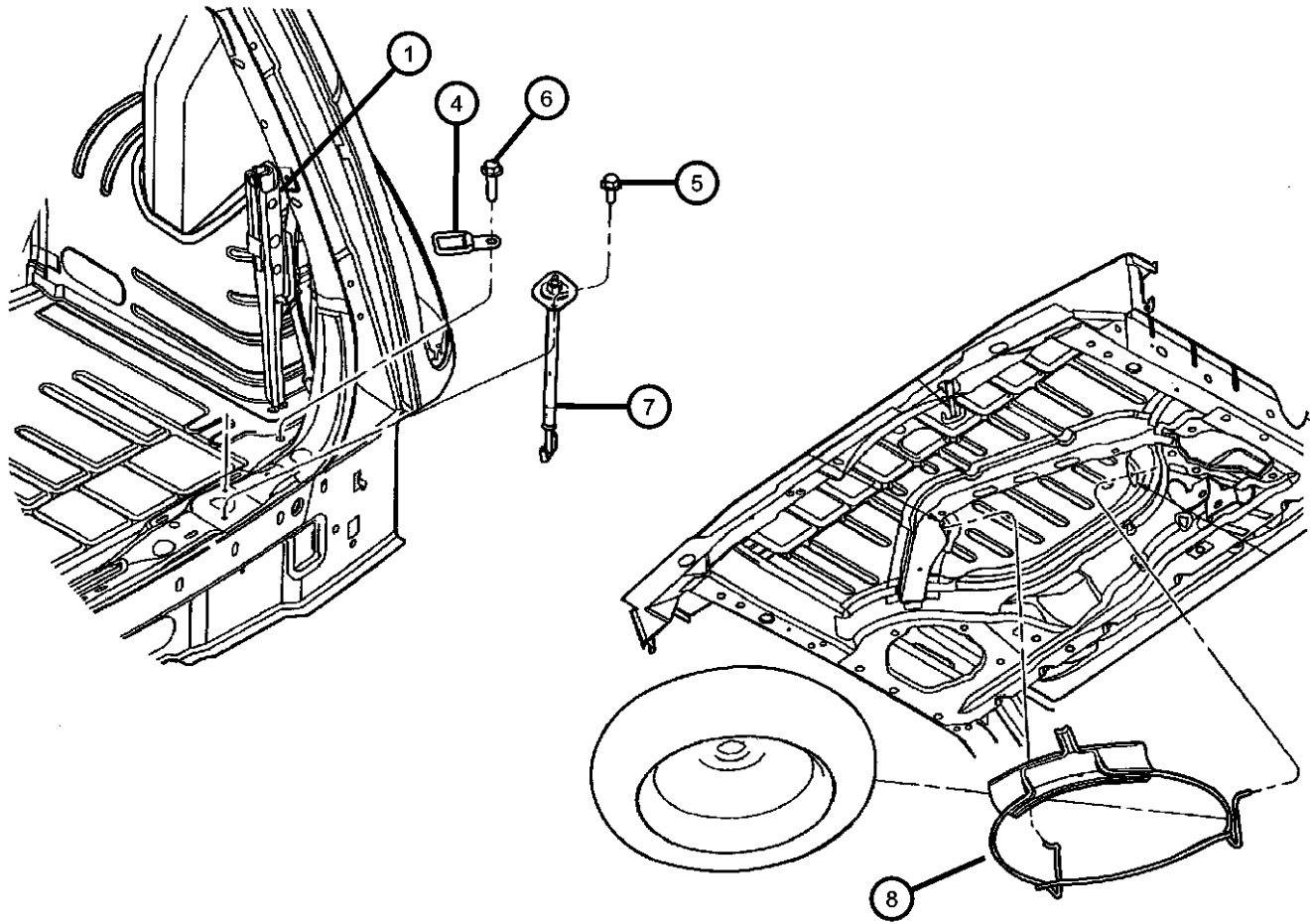
ENGINE TRANSMISSION
EDJ = 2.2L 4 Cyl Turbo Diesel Engine
EDT = 2.4L 4 Cyl DOHC 16V Turbo Engine
EDV = 2.4L 4 Cyl DOHC 16V HO Turbo Engine
EDZ = 2.4L 4 Cyl DOHC 16V SMPI Engine
EJD = 1.6L 4 Cyl SOHC 16V SMPI
DGL = 4-Speed Automatic Transmission
DD5 = 5-Speed Manual Transmission
DDD = 5-Speed HD Manual Transmission

AR = use ase required - = Non illustrated part

2006 PT

Jack and Spare Tire Stowage
Figure 22-310

ITEM	PART NUMBER	QTY	LINE	SERIES	BODY	ENGINE	TRANS	TRIM	DESCRIPTION
1	05008275AB	1							JACK
-2	04764663AB	1							HANDLE, Jack
-3	05256549	1							BAG, Jack Tool Storage
4	05027006AB	2							LOOP, Cargo Tie Down
5	06102050AA	2							SCREW, Hex Flange Head, M6.3 x 1.81 x 15.00
6	06506917AA	2							SCREW, Round Washer Head, M6x1x34
7	05027000AC	1							HOOK, Spare Tire Attach
8	04724998AC	1							RETAINER, Rear Floor Pan Spare Tire
-9	05067550AA	1							BRACKET, Mounting, Fire Extinguisher
-10	06035073	4							RIVET, Blind, .190x.670, Bracket
-11	55352852AA	1							TOOL SET



PT CRUISER (PT)

SERIES LINE
H = HIGHLINE C = CHRYSLER
P = PREMIUM Z = CHRYSLER (RHD)
S = SPORT
X = SPECIAL

BODY
27 = 2-DR CONVERTIBLE
44 = HATCHBACK/QUAD
CAB CHASSIS LWB

ENGINE TRANSMISSION
EDJ = 2.2L 4 Cyl Turbo Diesel Engine
EDT = 2.4L 4 Cyl DOHC 16V Turbo Engine
EDV = 2.4L 4 Cyl DOHC 16V HO Turbo Engine
EDZ = 2.4L 4 Cyl DOHC 16V SMPI Engine
EJD = 1.6L 4 Cyl SOHC 16V SMPI
DGL = 4-Speed Automatic Transmission
DD5 = 5-Speed Manual Transmission
DDD = 5-Speed HD Manual Transmission

AR = use ase required - = Non illustrated part

2006 PT

Group - 23D

Wiper/Lock Cylinder and Keys

Group - 23D Wiper/Lock Cylinder and Keys

Illustration Title

Group-Fig. No.

Lock Cylinders and Keys

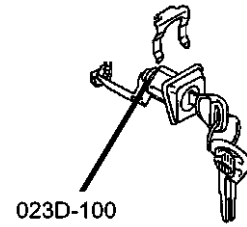
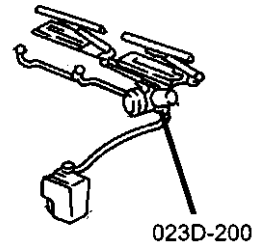
Lock Cylinders and KeysFig. 23D - 105

Windshield Wiper and Washer Systems

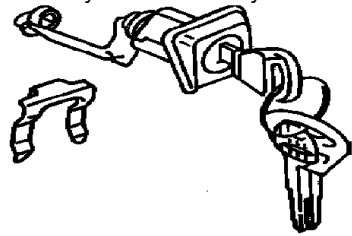
Windshield Wiper and Washer System.....Fig. 23D - 205

Rear Wiper and Washer System

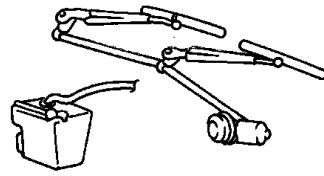
Rear Wiper and WasherFig. 23D - 305



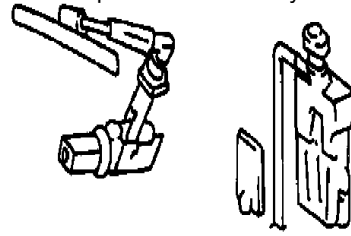
23D-100
Lock Cylinders and Keys



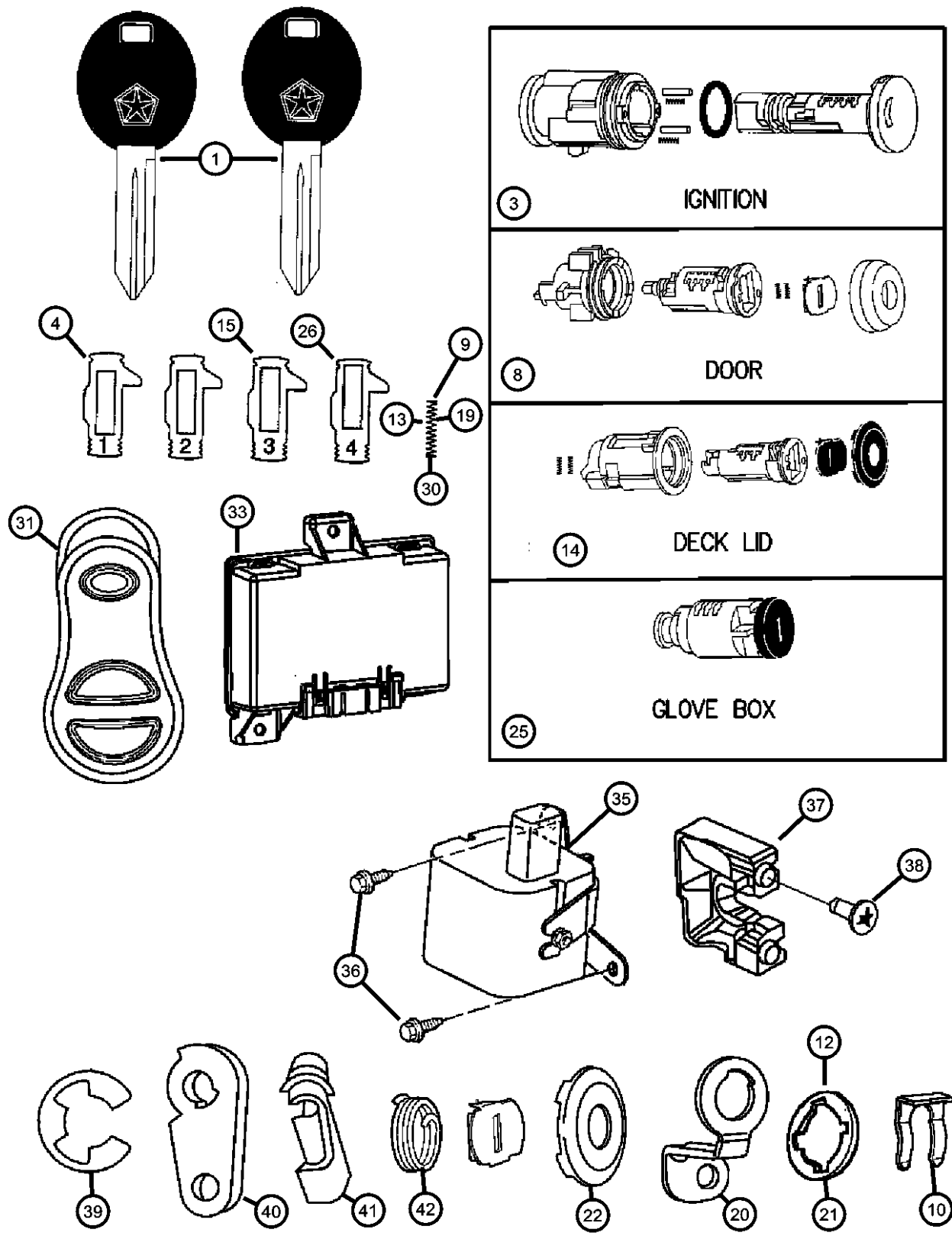
23D-200
Windshield Wiper and Washer Systems



23D-300
Rear Wiper and Washer System



Lock Cylinders and Keys
Figure 23D-105

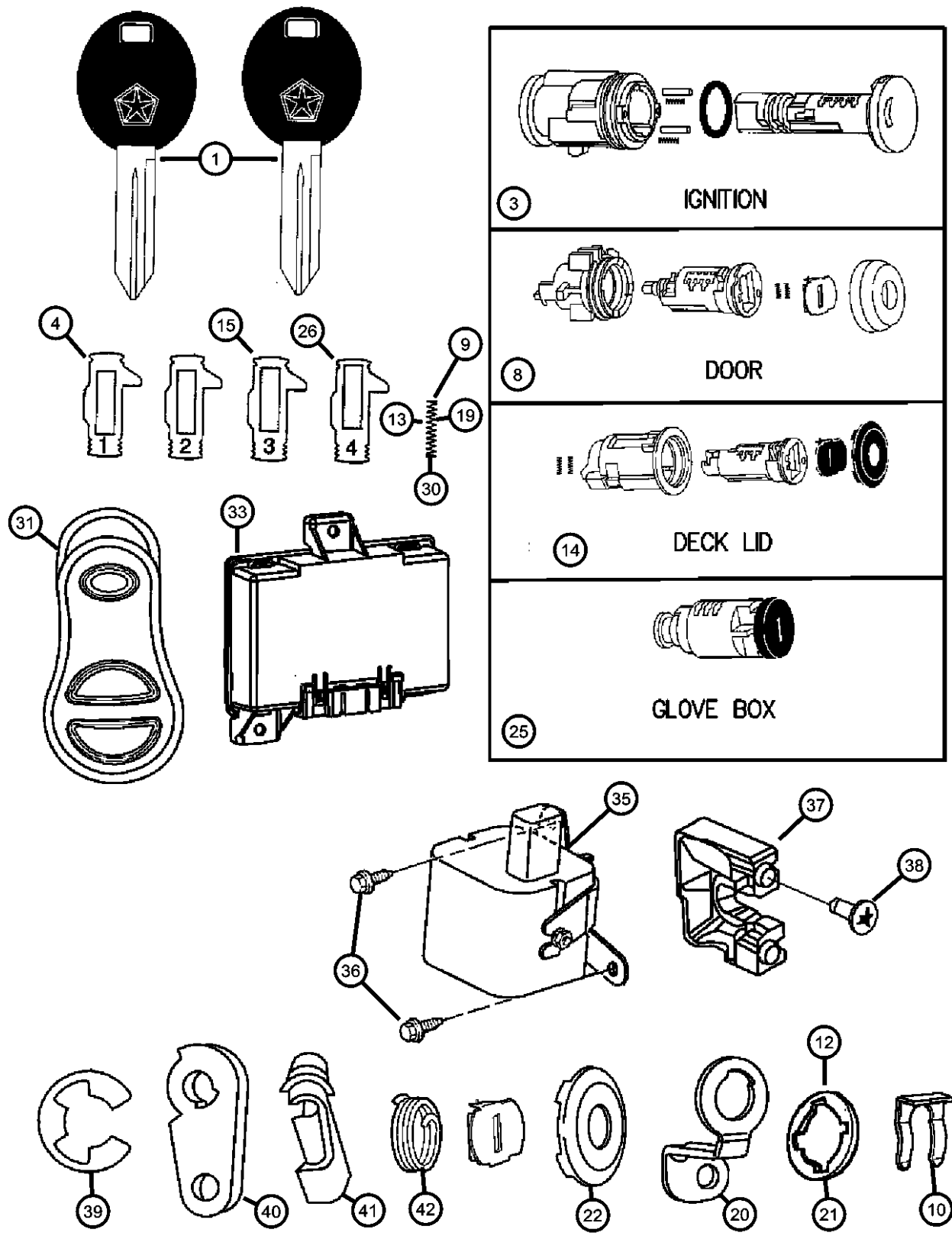


ITEM	PART NUMBER	QTY	LINE	SERIES	BODY	ENGINE	TRANS	TRIM	DESCRIPTION
1	05102247AA	1	C, Z		27, 44				KEY, Blank
-2									KEY, BLANK WITH TRANSMITTER
	05175786AA	2			27				Export With [GXP]
	05175815AA	1	C		27				[GXR]
	05175816AA	1	C		27				
	05175817AA	1	C		44				Export With [GXR]
	05179400AA	1	C		44				[GXP] [GXX] [XJH]
	05179401AA	1	Z		44				Export With [GXN]
		1	C		44				Export With [GXN]
3	05179511AA	1	C, Z		27, 44				CYLINDER, Ignition Lock
4	05257132AB	1	C, Z		27, 44				TUMBLER, Number 1
-5	05257133AB	1	C, Z		27, 44				TUMBLER, Number 2
-6	05257134AB	1	C, Z		27, 44				TUMBLER, Number 3
-7	05257135AB	1	C, Z		27, 44				TUMBLER, Number 4
8	04864651	1	C, Z		27, 44				CYLINDER, Door Lock
9	04778121	1	C		44				SPRING, Door and Deck Tumbler
10	55295904	1							RETAINER, Door Cylinder To Handle
-11									CAP, Door Lock Cylinder
	05016731AA	1	Z		44				[GXP=GXR+GXX+XJH]
		1	C		44				[GXX+GXR-XJH]
		1	C		27				[GXX+GXR-XJH]
		1	Z		27				[GXP=GXR+GXX+XJH]
12									GASKET, Door Lock Cylinder, Black
	55295864	1	C		44				
		1			27				
13									SPRING, Lock Cylinder Tumbler
	04746873	1	Z		44				[GXP=GXR+GXX+XJH]
		1	C		44				[GXX+GXR-XJH]
		1	C		27				[GXX+GXR-XJH]

PT CRUISER (PT)
 SERIES LINE BODY ENGINE TRANSMISSION
 H = HIGHLINE C = CHRYSLER 27 = 2-DR CONVERTIBLE EDJ = 2.2L 4 Cyl Turbo Diesel DGL = 4-Speed Automatic
 P = PREMIUM Z = CHRYSLER (RHD) 44 = HATCHBACK/QUAD Engine Transmission
 S = SPORT CAB CHASSIS LWB EDT = 2.4L 4 Cyl DOHC 16V Turbo Engine DD5 = 5-Speed Manual Transmission
 X = SPECIAL EJV = 2.4L 4 Cyl DOHC 16V Turbo Engine DDD = 5-Speed HD Manual
 Transmission
 HO Turbo Engine
 EDZ = 2.4L 4 Cyl DOHC 16V
 SMPI Engine
 EJD = 1.6L 4 Cyl SOHC 16V
 SMPI

AR = use ase required - = Non illustrated part

Lock Cylinders and Keys
Figure 23D-105



ITEM	PART NUMBER	QTY	LINE	SERIES	BODY	ENGINE	TRANS	TRIM	DESCRIPTION
14		1	Z		27				[GXP=GXR+GXX+XJH] CYLINDER, Tailgate Lock
	05114569AA	1	C		44				
		1	C		27				
15		1	C		44				TUMBLER, Number 1, Wide
	04778117AB	1	C		44				
		1	C		27				
-16		1	C		44				TUMBLER, Number 2, Wide
	04778118AB	1	C		44				
		1	C		27				
-17		1	C		44				TUMBLER, Number 3, Wide
	04778119AB	1	C		44				
		1			27				
-18		1	C		44				TUMBLER, Number 4, Wide
	04778120AB	1	C		44				
		1	C		27				
19	04778121	1	C		44				SPRING, Door and Deck Tumbler
20		1	C		44				LEVER, Liftgate Lock Cylinder
	05114570AA	1	C		44				
		1	C		27				
21		1							GASKET, Lock Cylinder, (NOT SERVICED)
22	05016731AA	1	Z		44				CAP, Door Lock Cylinder
-23	05016731AA	1							BRACKET, Security, (NOT SERVICED)
-24	05016731AA	1							BOLT AND CONED WASHER, Hex Head, M6x14x14, (NOT SERVICED)
25		1							CYLINDER, Glove Box Lock
	04746315	1	Z		44				[GXP=GXR+GXX+XJH]
		1	C		44				[GXX+GXR-XJH]
		1	C		27				[GXX+GXR-XJH]
		1	Z		27				[GXP=GXR+GXX+XJH]

PT CRUISER (PT)
 SERIES LINE
 H = HIGHLINE C = CHRYSLER
 P = PREMIUM Z = CHRYSLER (RHD)
 S = SPORT
 X = SPECIAL

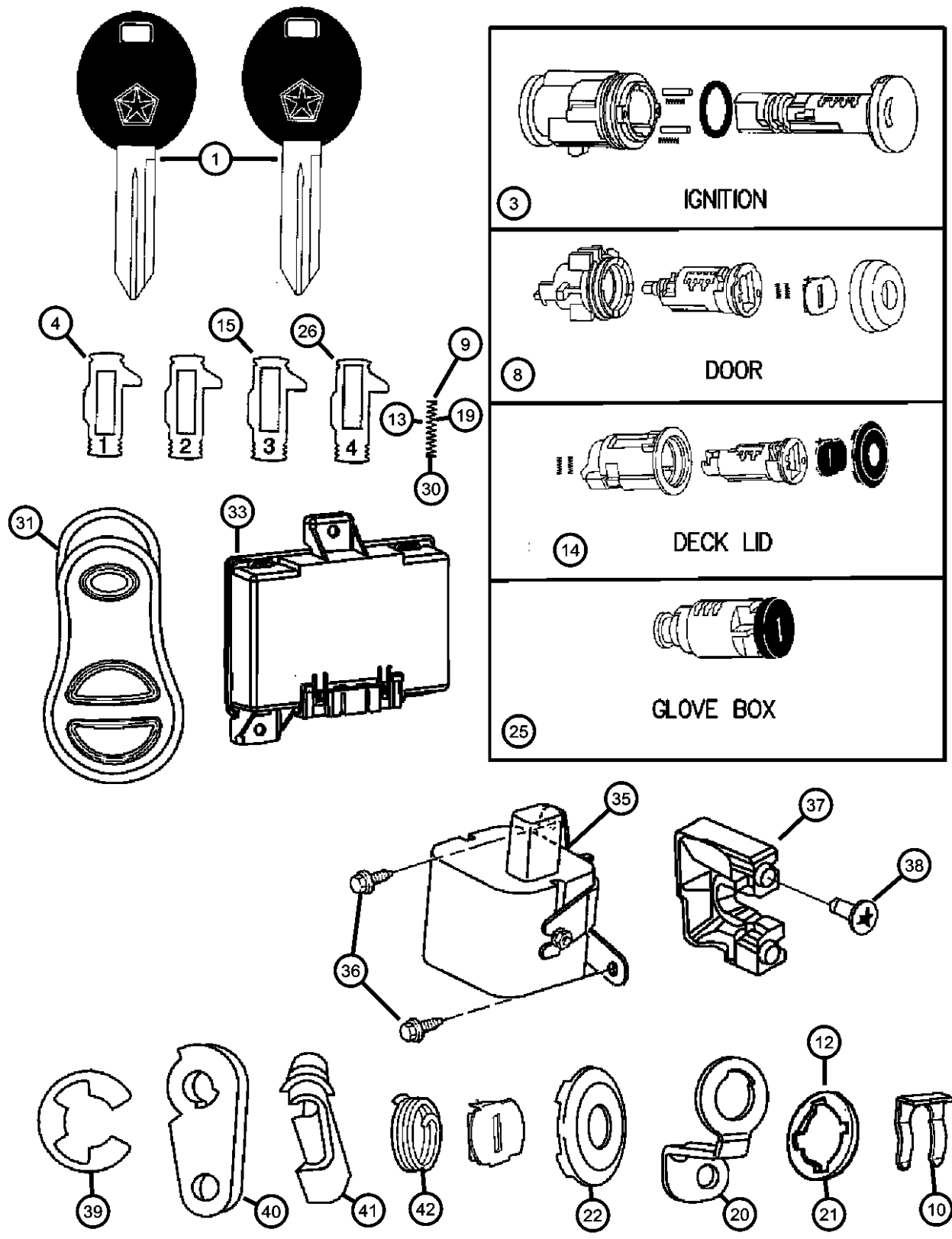
BODY
 27 = 2-DR CONVERTIBLE
 44 = HATCHBACK/QUAD CAB CHASSIS LWB

ENGINE
 EDJ = 2.2L 4 Cyl Turbo Diesel Engine
 EDT = 2.4L 4 Cyl DOHC 16V Turbo Engine
 EDV = 2.4L 4 Cyl DOHC 16V HO Turbo Engine
 EDZ = 2.4L 4 Cyl DOHC 16V SMPI Engine
 EJD = 1.6L 4 Cyl SOHC 16V SMPI

TRANSMISSION
 DGL = 4-Speed Automatic Transmission
 DD5 = 5-Speed Manual Transmission
 DDD = 5-Speed HD Manual Transmission

AR = use ase required - = Non illustrated part

Lock Cylinders and Keys
Figure 23D-105



ITEM	PART NUMBER	QTY	LINE	SERIES	BODY	ENGINE	TRANS	TRIM	DESCRIPTION
26	05257132AB	1	Z		44				TUMBLER, Number 1 [GXP=GXR+GXX+XJH]
		1	C		44				[GXX+GXR-XJH]
		1	C		27				[GXX+GXR-XJH]
		1	Z		27				[GXP=GXR+GXX+XJH]
-27	05257133AB	1	Z		44				TUMBLER, Number 2 [GXP=GXR+GXX+XJH]
		1	C		44				[GXX+GXR-XJH]
		1	C		27				[GXX+GXR-XJH]
		1	Z		27				[GXP=GXR+GXX+XJH]
-28	05257134AB	1	Z		44				TUMBLER, Number 3 [GXP=GXR+GXX+XJH]
		1	C		44				[GXX+GXR-XJH]
		1	C		27				[GXX+GXR-XJH]
		1	Z		27				[GXP=GXR+GXX+XJH]
-29	05257135AB	1	Z		44				TUMBLER, Number 4 [GXP=GXR+GXX+XJH]
		1	C		44				[GXX+GXR-XJH]
		1	C		27				[GXX+GXR-XJH]
		1	Z		27				[GXP=GXR+GXX+XJH]
30	04778121	1			27				SPRING, Door and Deck Tumbler
		1	Z		44				[GXP=GXR+GXX+XJH]
		1	C		44				[GXX+GXR-XJH]
31	05175815AA	1	C		27				KEY, BLANK WITH TRANSMITTER
	05175817AA	1	C		44				
-32	05066241AA	1							BATTERY, Transmitter
33	56040547AH	1							MODULE, Receiver
-34	06101946	2							SCREW, Tapping

PT CRUISER (PT)
 SERIES LINE
 H = HIGHLINE C = CHRYSLER
 P = PREMIUM Z = CHRYSLER (RHD)
 S = SPORT
 X = SPECIAL

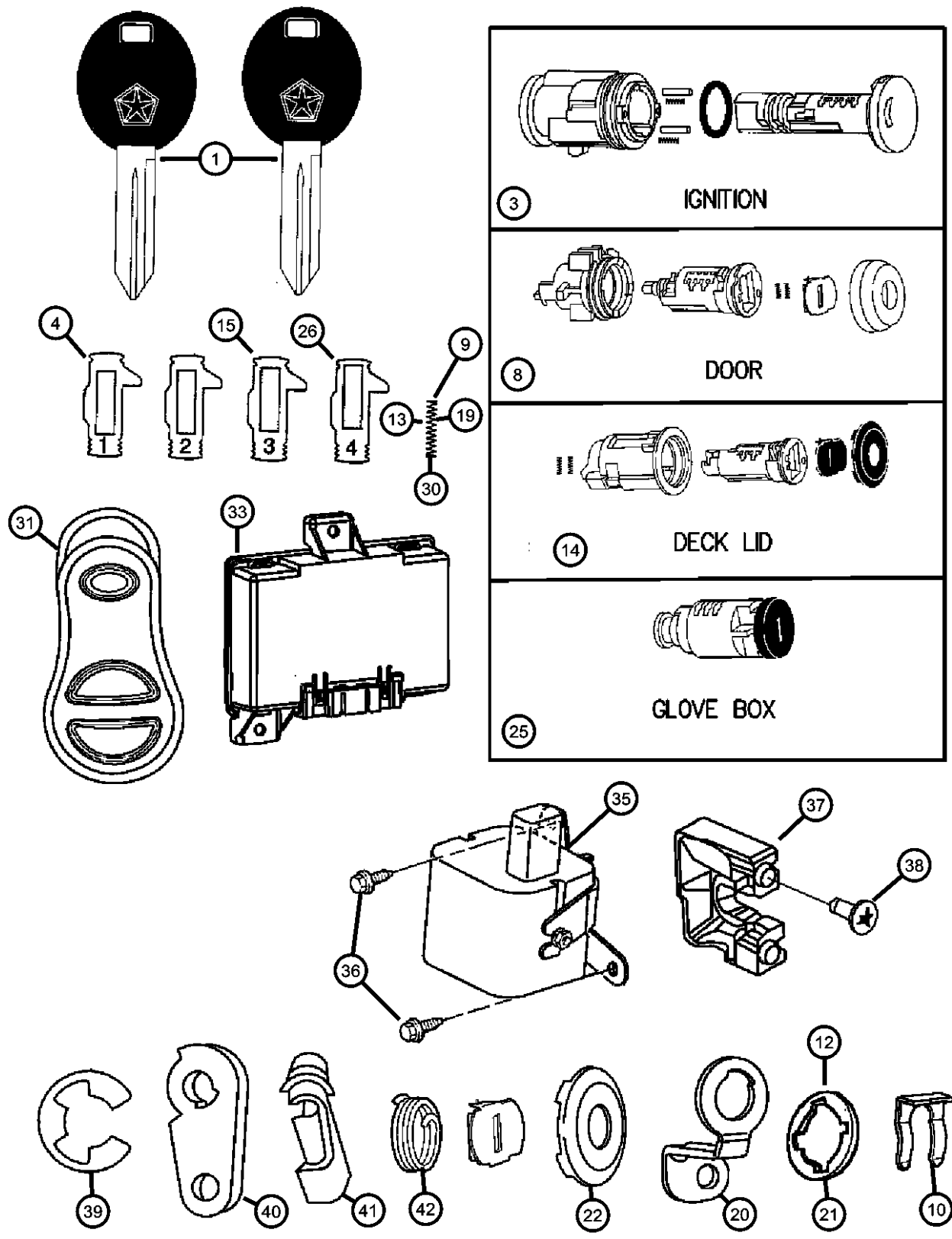
BODY
 27 = 2-DR CONVERTIBLE
 44 = HATCHBACK/QUAD CAB CHASSIS LWB

ENGINE
 EDJ = 2.2L 4 Cyl Turbo Diesel Engine
 EDT = 2.4L 4 Cyl DOHC 16V Turbo Engine
 EDV = 2.4L 4 Cyl DOHC 16V HO Turbo Engine
 EDZ = 2.4L 4 Cyl DOHC 16V SMPI Engine
 EJD = 1.6L 4 Cyl SOHC 16V SMPI

TRANSMISSION
 DGL = 4-Speed Automatic Transmission
 DD5 = 5-Speed Manual Transmission
 DDD = 5-Speed HD Manual Transmission

AR = use ase required - = Non illustrated part

Lock Cylinders and Keys
Figure 23D-105



ITEM	PART NUMBER	QTY	LINE	SERIES	BODY	ENGINE	TRANS	TRIM	DESCRIPTION
35	56038724AB	1							SIREN, Alarm
36	00154786	2			44				SCREW, m6x1x11hex head
37	55295904	1							RETAINER, Door Cylinder To Handle
38	06035479	2	C		44				SCREW AND WASHER
39	06026125	1	C		44				CLIP, Retainer
		1	Z						[GXX+JPF+XJH-ABJ]
		1	C		27				[GXX+JPF+XJH+ABJ]
		1			27				[GXX+JPF-XJH]
		1			27				[GXX+JPF+XJH+ABJ]
40									LEVER, Front Door Cylinder
	04717288	1	C		44				[GXX+JPF+XJH-ABJ]
		1	Z						[GXX+JPF+XJH+ABJ]
		1			27				[GXX+JPF+XJH+ABJ]
41	04658445	1			44				CLIP, Latch Link, Orange
42									SPRING, Cylinder Return
	04378793	1	Z		44				[GXP=GXR+GXX+XJH]
		1	C		44				[GXX+GXR-XJH]
		1	C		27				[GXX+GXR-XJH]
		1	Z		27				[GXP=GXR+GXX+XJH]
-43									SHUTTER, Lock Cylinder
	05019605AA	1	C		44				
		1	C		27				
-44									LEVER, Liftgate Lock Cylinder
	05114570AA	1	C		44				
		1	C		27				
-45	06502676	1							NUT, Hex, M6x1.00
-46	06036279AA	2			44				NUT, Liftgate Handle
-47	55295904	1							RETAINER, Door Cylinder To Handle

PT CRUISER (PT)
 SERIES LINE
 H = HIGHLINE C = CHRYSLER
 P = PREMIUM Z = CHRYSLER (RHD)
 S = SPORT
 X = SPECIAL

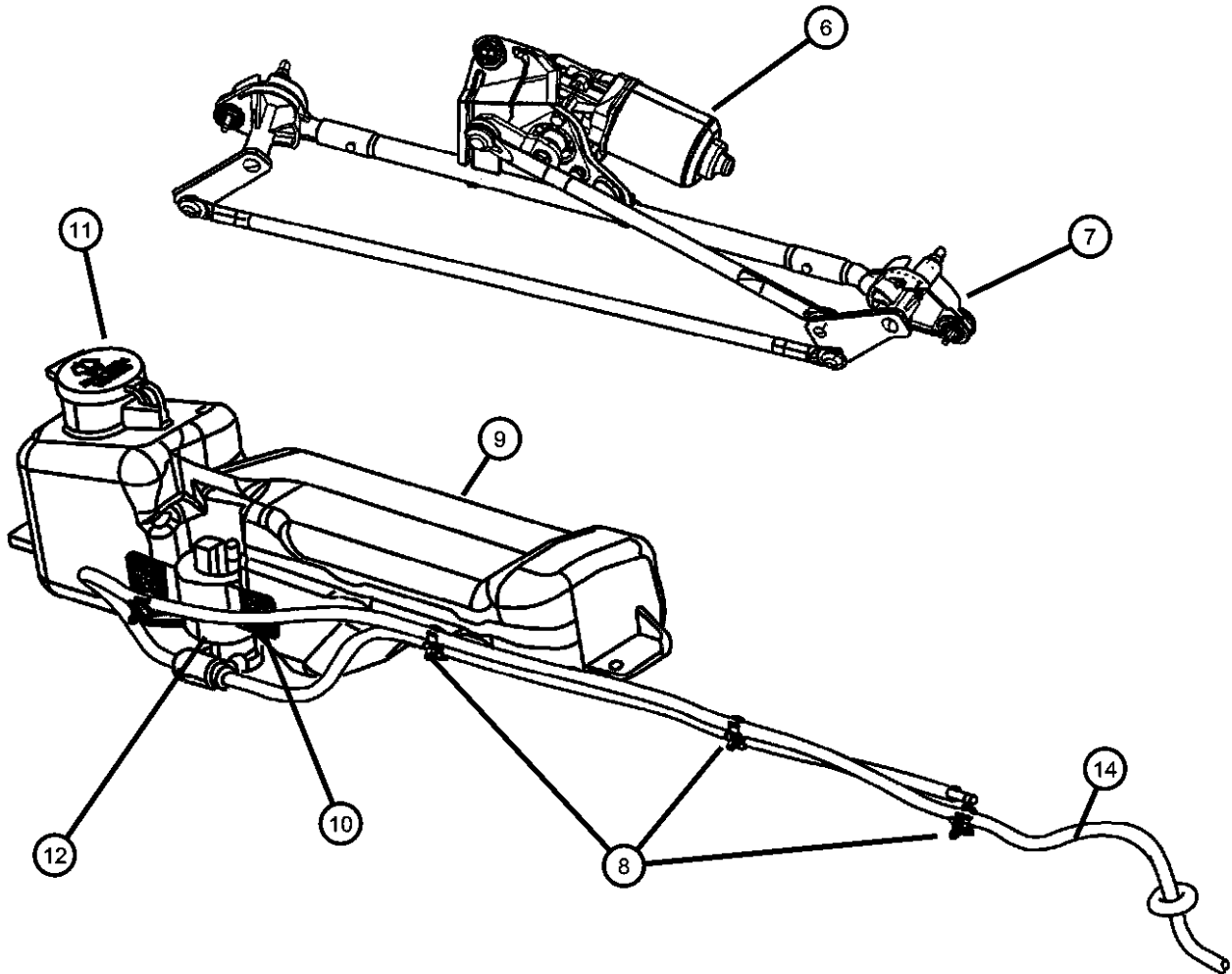
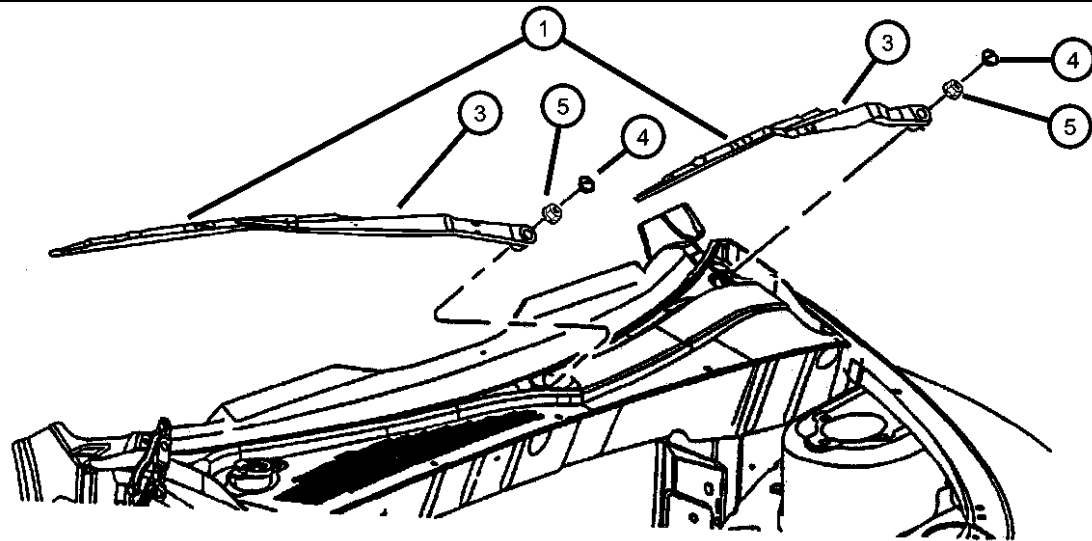
BODY
 27 = 2-DR CONVERTIBLE
 44 = HATCHBACK/QUAD CAB CHASSIS LWB

ENGINE
 EDJ = 2.2L 4 Cyl Turbo Diesel Engine
 EDT = 2.4L 4 Cyl DOHC 16V Turbo Engine
 EDV = 2.4L 4 Cyl DOHC 16V HO Turbo Engine
 EDZ = 2.4L 4 Cyl DOHC 16V SMPI Engine
 EJD = 1.6L 4 Cyl SOHC 16V SMPI

TRANSMISSION
 DGL = 4-Speed Automatic Transmission
 DD5 = 5-Speed Manual Transmission
 DDD = 5-Speed HD Manual Transmission

AR = use ase required - = Non illustrated part

**Windshield Wiper and Washer System
Figure 23D-205**



ITEM	PART NUMBER	QTY	LINE	SERIES	BODY	ENGINE	TRANS	TRIM	DESCRIPTION
1	05018430AA	1	C		27				BLADE, Wiper Right
	WBFLAT04AA								Mopar Alternative Flat Blade Set
	WBW00021AD								Mopar Alternative Winter Wiper Blades
	WB000021AE								Mopar V-Line Alternative Part
	WB-BLU021AA								Mopar Alternative Color Wiper Blade (Blue)
	WBRED021AA								Mopar Alternative Color Wiper Blade (Red)
	WBYEL021AA								Mopar Alternative Color Wiper Blade (Yellow)
	WB-WHI021AA								Mopar Alternative Color Wiper Blade (White)
	WB-CAR021AA								Mopar Alternative Color Wiper Blade (Carbon Fiber)
	05018431AA	1	C		27				Left
	WBFLAT04AA								Mopar Alternative Flat Blade Set
	WBW00020AD								Mopar Alternative Winter Wiper Blades
	WB000020AE								Mopar V-Line Alternative Part
	WB-BLU020AA								Mopar Alternative Color Wiper Blade (Blue)
	WBRED020AA								Mopar Alternative Color Wiper Blade (Red)
	WBYEL020AA								Mopar Alternative Color Wiper Blade (Yellow)
	WB-WHI020AA								Mopar Alternative Color Wiper Blade (White)
	WB-CAR020AA								Mopar Alternative Color Wiper Blade (Carbon Fiber)
	05018432AA	1	Z		44				Right
	WBFLAT04AA								Mopar Alternative Flat Blade Set
	05018433AA	1	Z		44				Left
	WBFLAT04AA								Mopar Alternative Flat Blade Set
-2	05018434AA	1	C		27				REFILL, Wiper Blade Right
	WB00000BAA								Mopar V-Line Alternative Part

PT CRUISER (PT)

SERIES LINE
H = HIGHLINE C = CHRYSLER
P = PREMIUM Z = CHRYSLER (RHD)
S = SPORT
X = SPECIAL

BODY
27 = 2-DR CONVERTIBLE
44 = HATCHBACK/QUAD CAB CHASSIS LWB

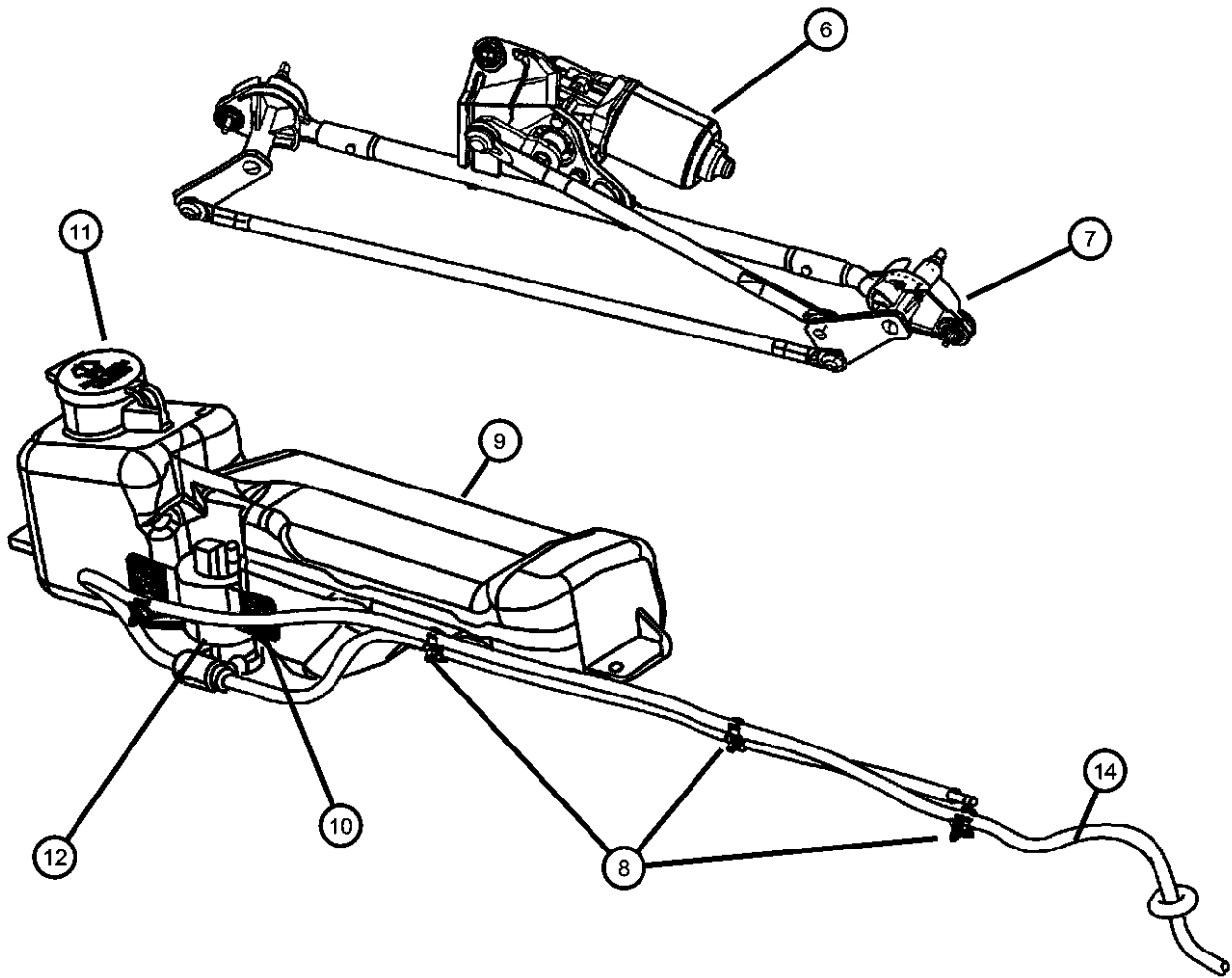
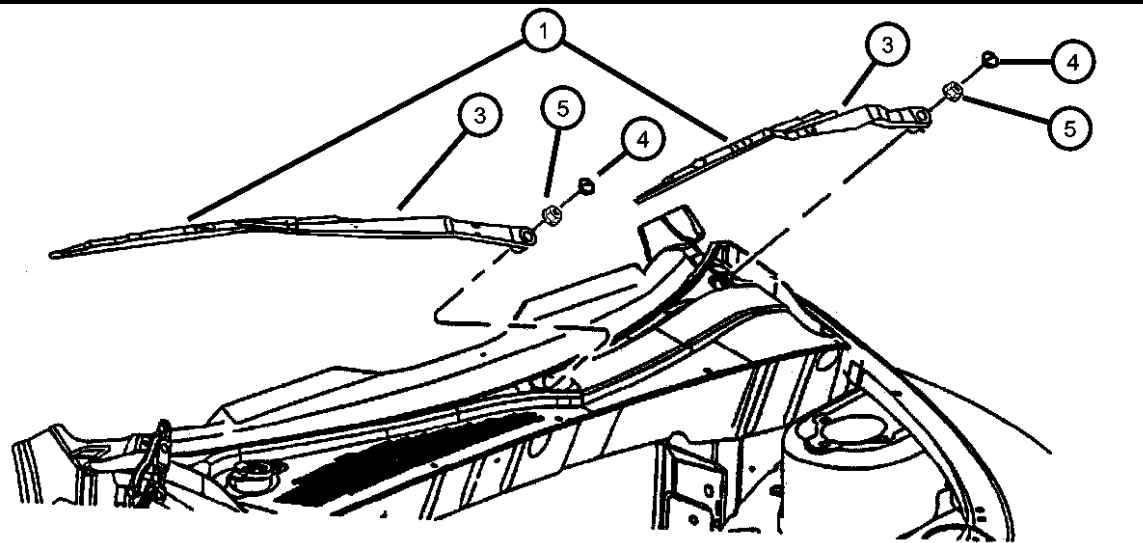
ENGINE
EDJ = 2.2L 4 Cyl Turbo Diesel Engine
EDT = 2.4L 4 Cyl DOHC 16V Turbo Engine
EDV = 2.4L 4 Cyl DOHC 16V HO Turbo Engine
EDZ = 2.4L 4 Cyl DOHC 16V SMPI Engine
EJD = 1.6L 4 Cyl SOHC 16V SMPI

TRANSMISSION
DGL = 4-Speed Automatic Transmission
DD5 = 5-Speed Manual Transmission
DDD = 5-Speed HD Manual Transmission

AR = use ase required - = Non illustrated part

2006 PT

**Windshield Wiper and Washer System
Figure 23D-205**



ITEM	PART NUMBER	QTY	LINE	SERIES	BODY	ENGINE	TRANS	TRIM	DESCRIPTION
	05018435AA	1	C		27				Left
	WB00000BAA								Mopar V-Line Alternative Part
3	05018426AA	1	C		44				ARM, Wiper
	05018427AA	1	C		44				LHD, Right
	05018428AA	1	Z		44				, Left
	05018429AA	1	Z		44				RHD, Right
	05127362AA	1	C		27				Export RHD, Left
	05127363AA	1	C		27				Right
	05175912AA	1	Z		27				Left
	05175913AA	1	Z		27				Right
4	04389440	2							Left
									CAP, Wiper Arm Nut
5	05018059AB	1	C		44				RESERVOIR, Washer
		1	C		27				
6	05174157AA	1	Z						MOTOR, Wiper
	05175910AA	1	C						
7	05018453AA	1	Z						LINKAGE, Wiper Arm
8	05018130AA	1	Z		44				STRAP, Retaining
		1	C		27				
9	05018059AB	1	C		44				RESERVOIR, Washer
		1	C		27				
10	05011809AA	1	C		44				GROMMET, Windshield Washer
		1	C		27				Pump, also serviced with pump and reservoir
11	05018128AA	1	C		44				CAP, Washer Reservoir

PT CRUISER (PT)

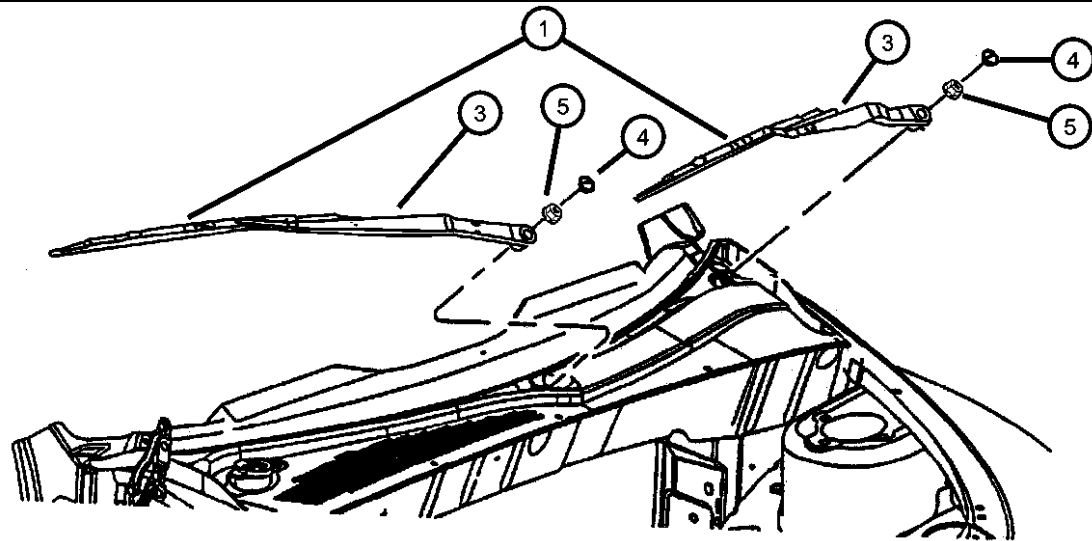
SERIES LINE
H = HIGHLINE C = CHRYSLER
P = PREMIUM Z = CHRYSLER (RHD)
S = SPORT
X = SPECIAL

BODY
27 = 2-DR CONVERTIBLE
44 = HATCHBACK/QUAD
CAB CHASSIS LWB

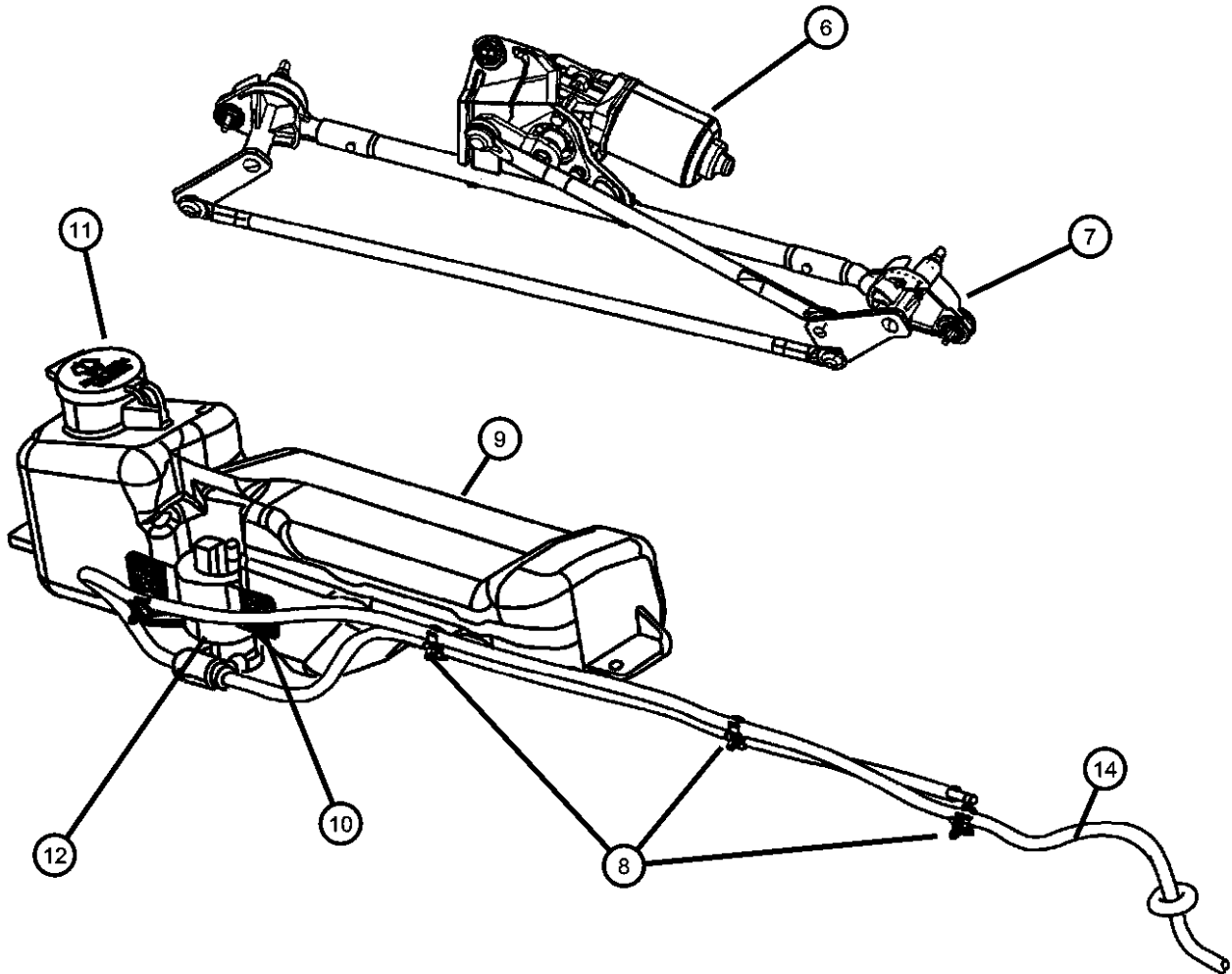
ENGINE TRANSMISSION
EDJ = 2.2L 4 Cyl Turbo Diesel Engine
EDT = 2.4L 4 Cyl DOHC 16V Turbo Engine
EDV = 2.4L 4 Cyl DOHC 16V HO Turbo Engine
EDZ = 2.4L 4 Cyl DOHC 16V SMPI Engine
EJD = 1.6L 4 Cyl SOHC 16V SMPI
DGL = 4-Speed Automatic Transmission
DD5 = 5-Speed Manual Transmission
DDD = 5-Speed HD Manual Transmission

AR = use ase required - = Non illustrated part

**Windshield Wiper and Washer System
Figure 23D-205**



ITEM	PART NUMBER	QTY	LINE	SERIES	BODY	ENGINE	TRANS	TRIM	DESCRIPTION
		1	C		27				
12	05093412AA	1	Z		44				PUMP, Washer, Windshield
-13	06101979	3							SCREW, M6x1x30
14									HOSE, Windshield Washer
	05019703AA	1	Z		44				
		1	Z		27				
	05288859AD	1	Z		27, 44				Export
-15	05116079AA	2							NOZZLE, Washer, Windshield
-16	05288699AF	1	C						HOSE, Windshield Washer
-17	HFV00516AB	1							HOSE, Fuel And Vapor, 25 Foot Roll 5/16"
-18	02860332	2							PLUG, Anti-Rattle
-19	35026594	1			27				PLUG, Floor Pan, .187 Rubber



PT CRUISER (PT)

SERIES LINE
H = HIGHLINE C = CHRYSLER
P = PREMIUM Z = CHRYSLER (RHD)
S = SPORT
X = SPECIAL

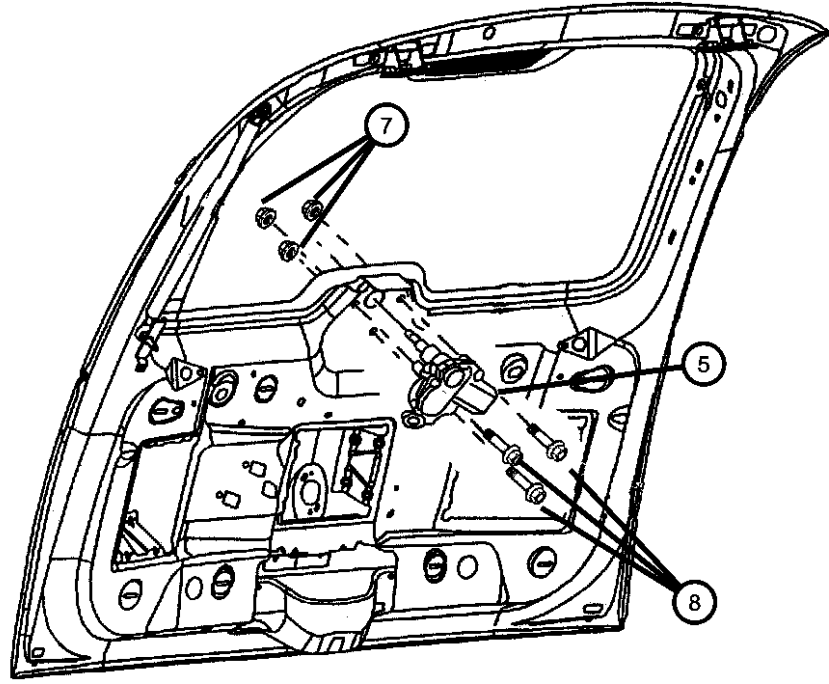
BODY
27 = 2-DR CONVERTIBLE
44 = HATCHBACK/QUAD
CAB CHASSIS LWB

ENGINE TRANSMISSION
EDJ = 2.2L 4 Cyl Turbo Diesel Engine
EDT = 2.4L 4 Cyl DOHC 16V Turbo Engine
EDV = 2.4L 4 Cyl DOHC 16V HO Turbo Engine
EDZ = 2.4L 4 Cyl DOHC 16V SMPI Engine
EJD = 1.6L 4 Cyl SOHC 16V SMPI
DGL = 4-Speed Automatic Transmission
DD5 = 5-Speed Manual Transmission
DDD = 5-Speed HD Manual Transmission

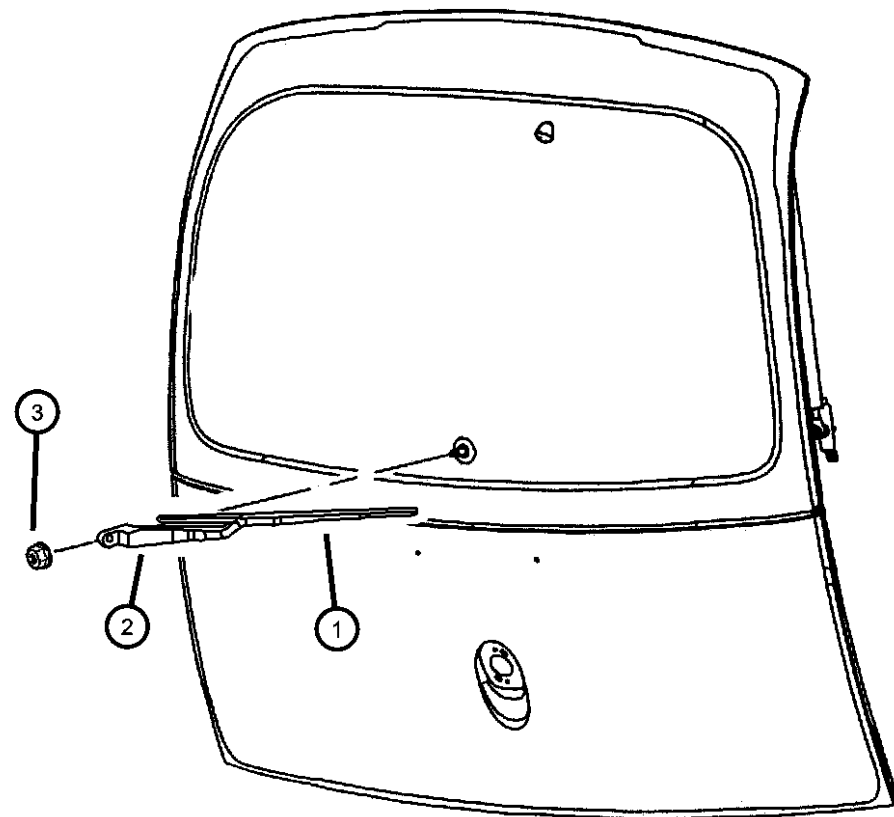
AR = use ase required - = Non illustrated part

2006 PT

Rear Wiper and Washer
Figure 23D-305



ITEM	PART NUMBER	QTY	LINE	SERIES	BODY	ENGINE	TRANS	TRIM	DESCRIPTION
1	05018407AA WBW00016AD WB000016AE	1			44				BLADE, Wiper Mopar Alternative Winter Wiper Blades Mopar V-Line Alternative Part
2	05101911AA	1			44				ARM, Liftgate Wiper
3	06104716AA	2							NUT
-4	55077097AC	1			44				CAP, Wiper Arm Nut
5	04857931AB	1			44				MOTOR, Liftgate Wiper
-6	05020577AA	1			44				GROMMET, Glass
7	06101712	6							NUT, U, M6x1.00
8	06100288	3			44				BOLT AND CONED WASHER, Hex Head, M6x30x20
-9	05303442AB	1			44				NOZZLE, Liftgate Washer
-10	55154587	1			44				NUT, Nozzle Mounting
-11	55154587	1							CLIP, Motor, (NOT SERVICED)
-12	05086004AA	1			44				CHECK VALVE, Washer
-13	05288702AB	1			44				HOSE, Windshield Washer, Rear wiper



PT CRUISER (PT)

SERIES LINE
H = HIGHLINE C = CHRYSLER
P = PREMIUM Z = CHRYSLER (RHD)
S = SPORT
X = SPECIAL

BODY
27 = 2-DR CONVERTIBLE
44 = HATCHBACK/QUAD
CAB CHASSIS LWB

ENGINE
EDJ = 2.2L 4 Cyl Turbo Diesel Engine
EDT = 2.4L 4 Cyl DOHC 16V Turbo Engine
EDV = 2.4L 4 Cyl DOHC 16V HO Turbo Engine
EDZ = 2.4L 4 Cyl DOHC 16V SMPI Engine
EJD = 1.6L 4 Cyl SOHC 16V SMPI

TRANSMISSION
DGL = 4-Speed Automatic Transmission
DD5 = 5-Speed Manual Transmission
DDD = 5-Speed HD Manual Transmission

AR = use ase required - = Non illustrated part

2006 PT

Group - 24

Air Conditioning & Heater

Group - 24 Air Conditioning & Heater

Illustration Title

Group-Fig. No.

Air Conditioner and Heater Units

Heater Unit [HCD] Fig. 24 - 105
 Air Conditioning and Heater Unit [HAA] Fig. 24 - 110
 Air Conditioner and Heater Unit [HAA] Right Hand Drive RHD Fig. 24 - 120

Air Conditioner and Heater Plumbing

Plumbing, A/C and Heater, 2.4L [EDZ] Fig. 24 - 210
 Plumbing, A/C and Heater, 2.4L Turbo [EDV] [EDT] Fig. 24 - 220
 Plumbing, A/C and Heater, 1.6L [EJD], 2.2L Diesel [EDJ] Fig. 24 - 230
 Plumbing, A/C and Heater, 2.2L Diesel [EDJ] RHD Fig. 24 - 240

Air Conditioner and Heater Controls

Controls, Air Conditioning and Heater Fig. 24 - 302

Air Conditioning Compressor

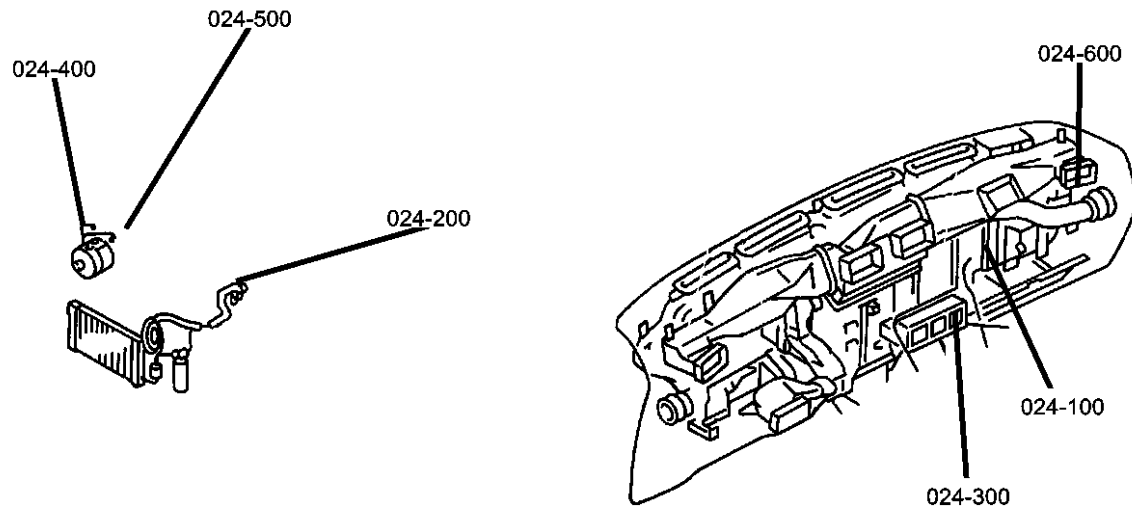
Compressor Fig. 24 - 410

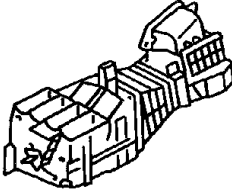
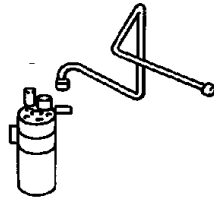
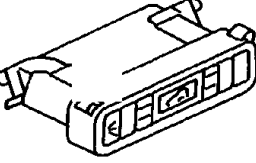
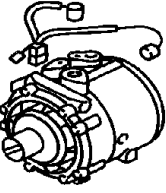
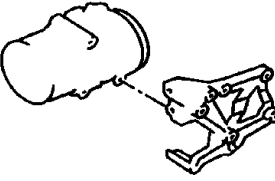
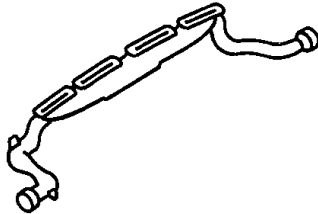
Air Conditioning Compressor Mounting

Compressor Mounting Fig. 24 - 510
 Compressor Mounting Fig. 24 - 520

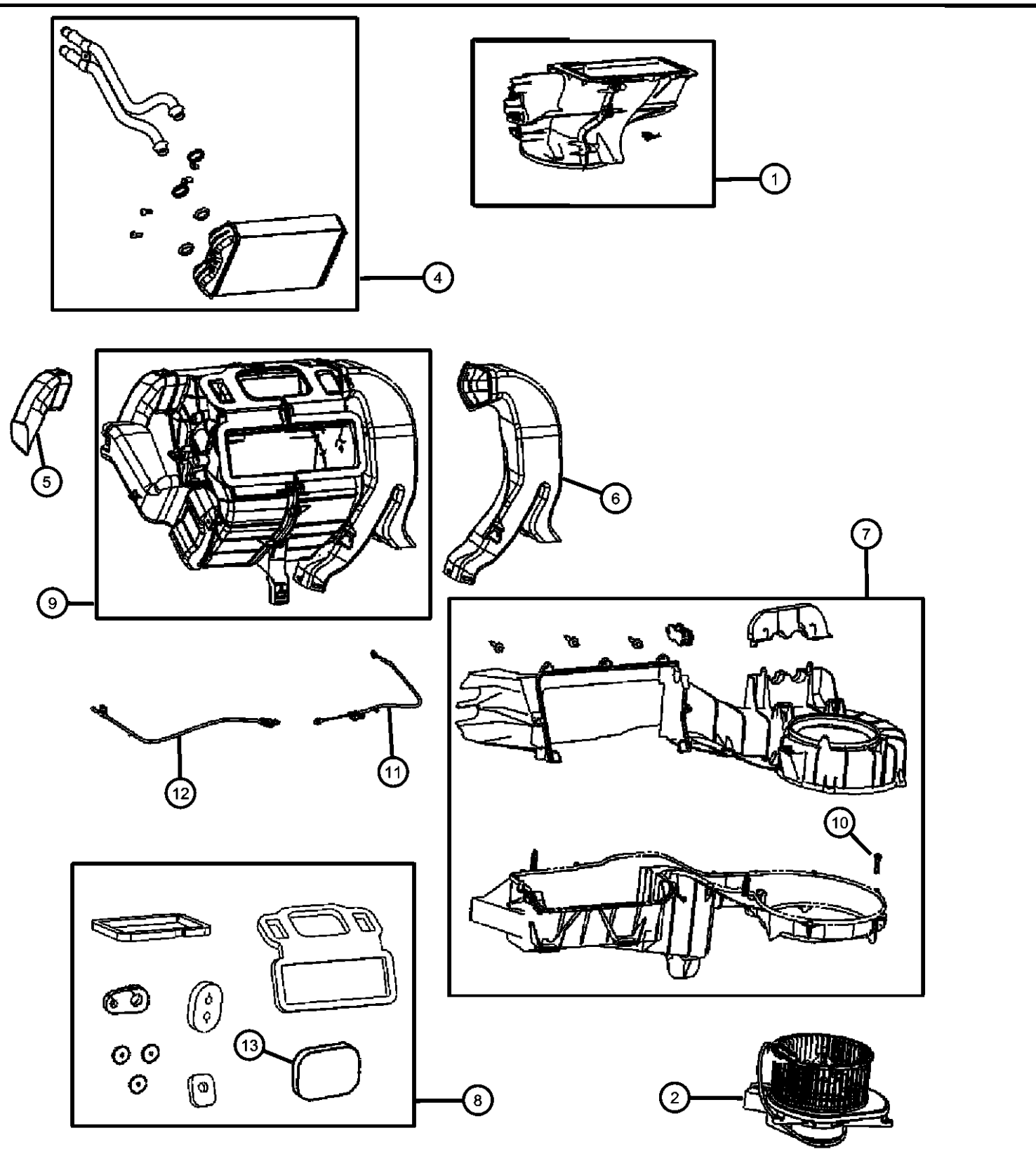
Air Ducts and Outlets

Air Distribution Ducts Fig. 24 - 610
 Air Distribution Ducts Fig. 24 - 620



<p>024-100 Air Conditioner and Heater Units</p> 	<p>024-200 Air Conditioner and Heater Plumbing</p> 	<p>024-300 Air Conditioner and Heater Controls</p> 	<p>024-400 Air Conditioning Compressor</p> 
<p>024-500 Air Conditioning Compressor Mounting</p> 	<p>024-600 Air Ducts and Outlets</p> 		

Heater Unit [HCD]
Figure 24-105



ITEM	PART NUMBER	QTY	LINE	SERIES	BODY	ENGINE	TRANS	TRIM	DESCRIPTION
1	05179473AA	1	C						HOUSING, Air Inlet
2	05179476AA	1	C						MOTOR, Blower with Wheel
-3	05058026AA	1	C						RESISTOR, Blower Motor
4	05179475AA	1	C						CORE, Heater, Includes Heater Core Tubes
5	05179477AA	1	C						DUCT, A/C And Heater
6	05179483AA	1	C						DUCT, A/C And Heater, For Passenger Side Floor and Feeds Rear Ducts
7	05179474AA	1	C						HOUSING, Evaporater and Blower, Contains: Upper housing, Lower housing, Studs, and Housing Screws
8	05179481AA	1	C						SEAL KIT, A/C or Heater Unit, Includes: Heater Core Tubes to Dash Seal, Drain Tube Seal, Evap. Housing to Dash Seal, Stud Seals, Air Inlet to Plenum Seal and Panel/Defrost Seal.
9	05179486AA	1	C						HOUSING, Distribution, Includes: Panel Door Seals, Floor/Defrost Door Seals, Panel Doors, Blend Doors, Recirculation Doors, Floor/Defrost Door, Mode Cam, Floor/Defrost Levers, Blend Lever, Blend Cam Lever, Baffle, Screws
10	05179487AA	47	C						SCREW, Hex Head
11	05179479AA	1	C						CABLE, Mode
12	05179480AA	1	C						CABLE, Temperature Control
13	05264664	1	C						SEAL, Evaporator To Dash, Seal To Patch Hole in Cowl For Vehicles Without Evaporator

PT CRUISER (PT)
 SERIES LINE
 H = HIGHLINE C = CHRYSLER
 P = PREMIUM Z = CHRYSLER (RHD)
 S = SPORT
 X = SPECIAL

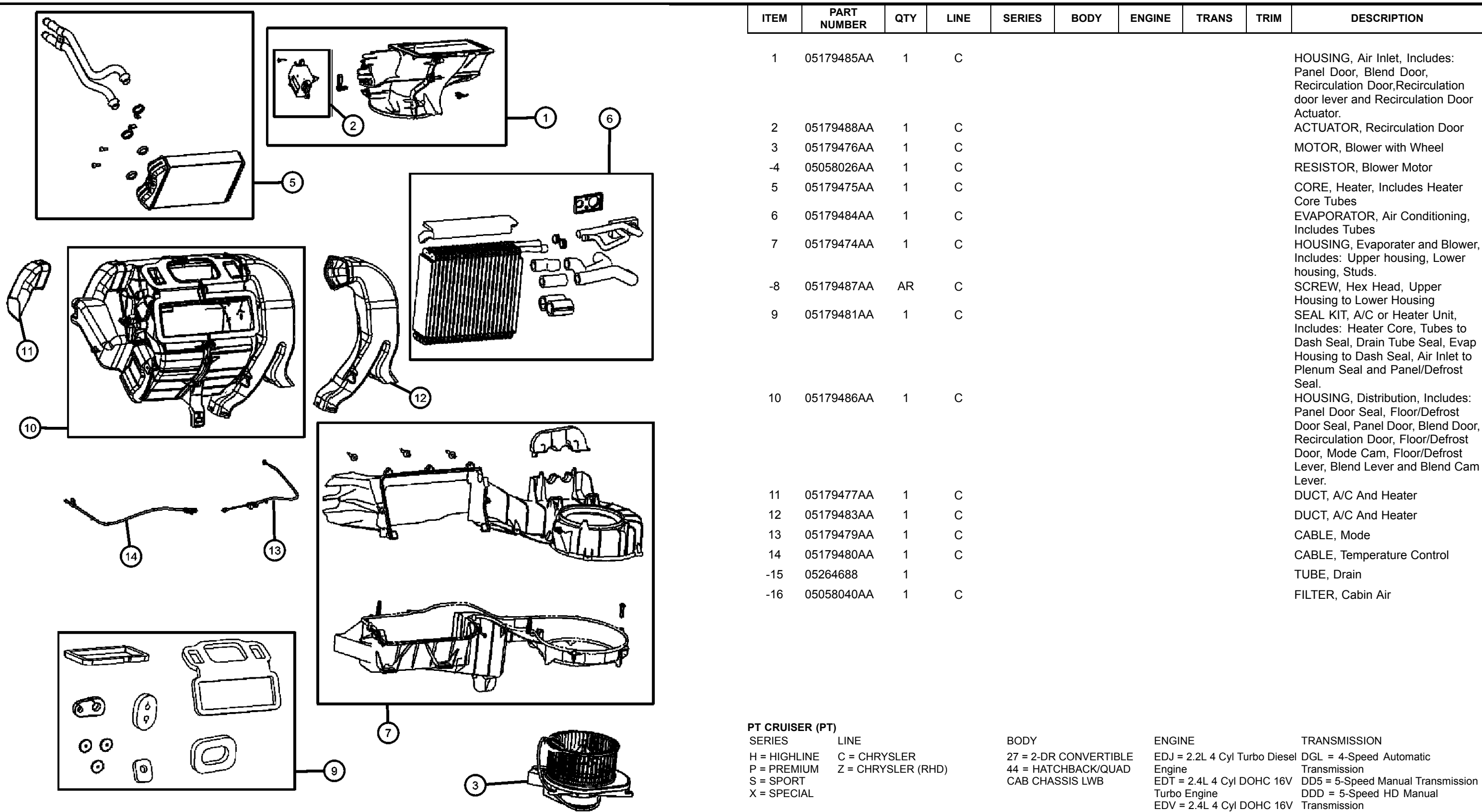
BODY
 27 = 2-DR CONVERTIBLE
 44 = HATCHBACK/QUAD CAB CHASSIS LWB

ENGINE
 EDJ = 2.2L 4 Cyl Turbo Diesel Engine
 EDT = 2.4L 4 Cyl DOHC 16V Turbo Engine
 EDV = 2.4L 4 Cyl DOHC 16V HO Turbo Engine
 EDZ = 2.4L 4 Cyl DOHC 16V SMPI Engine
 EJD = 1.6L 4 Cyl SOHC 16V SMPI

TRANSMISSION
 DGL = 4-Speed Automatic Transmission
 DD5 = 5-Speed Manual Transmission
 DDD = 5-Speed HD Manual Transmission

AR = use ase required - = Non illustrated part

**Air Conditioning and Heater Unit [HAA]
Figure 24-110**



ITEM	PART NUMBER	QTY	LINE	SERIES	BODY	ENGINE	TRANS	TRIM	DESCRIPTION
1	05179485AA	1	C						HOUSING, Air Inlet, Includes: Panel Door, Blend Door, Recirculation Door, Recirculation door lever and Recirculation Door Actuator.
2	05179488AA	1	C						ACTUATOR, Recirculation Door
3	05179476AA	1	C						MOTOR, Blower with Wheel
-4	05058026AA	1	C						RESISTOR, Blower Motor
5	05179475AA	1	C						CORE, Heater, Includes Heater Core Tubes
6	05179484AA	1	C						EVAPORATOR, Air Conditioning, Includes Tubes
7	05179474AA	1	C						HOUSING, Evaporater and Blower, Includes: Upper housing, Lower housing, Studs.
-8	05179487AA	AR	C						SCREW, Hex Head, Upper Housing to Lower Housing
9	05179481AA	1	C						SEAL KIT, A/C or Heater Unit, Includes: Heater Core, Tubes to Dash Seal, Drain Tube Seal, Evap Housing to Dash Seal, Air Inlet to Plenum Seal and Panel/Defrost Seal.
10	05179486AA	1	C						HOUSING, Distribution, Includes: Panel Door Seal, Floor/Defrost Door Seal, Panel Door, Blend Door, Recirculation Door, Floor/Defrost Door, Mode Cam, Floor/Defrost Lever, Blend Lever and Blend Cam Lever.
11	05179477AA	1	C						DUCT, A/C And Heater
12	05179483AA	1	C						DUCT, A/C And Heater
13	05179479AA	1	C						CABLE, Mode
14	05179480AA	1	C						CABLE, Temperature Control
-15	05264688	1							TUBE, Drain
-16	05058040AA	1	C						FILTER, Cabin Air

PT CRUISER (PT)
 SERIES LINE
 H = HIGHLINE C = CHRYSLER
 P = PREMIUM Z = CHRYSLER (RHD)
 S = SPORT
 X = SPECIAL

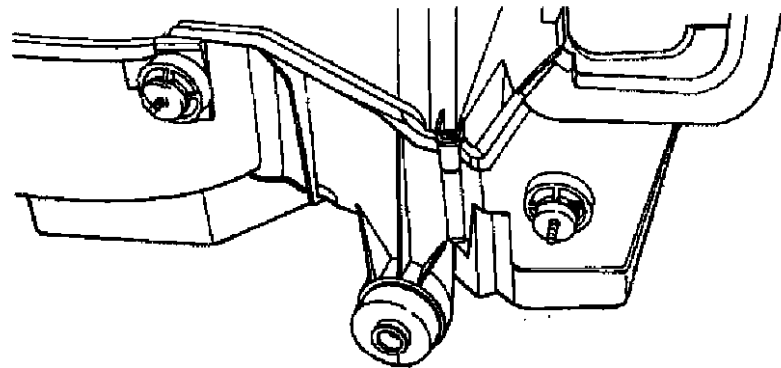
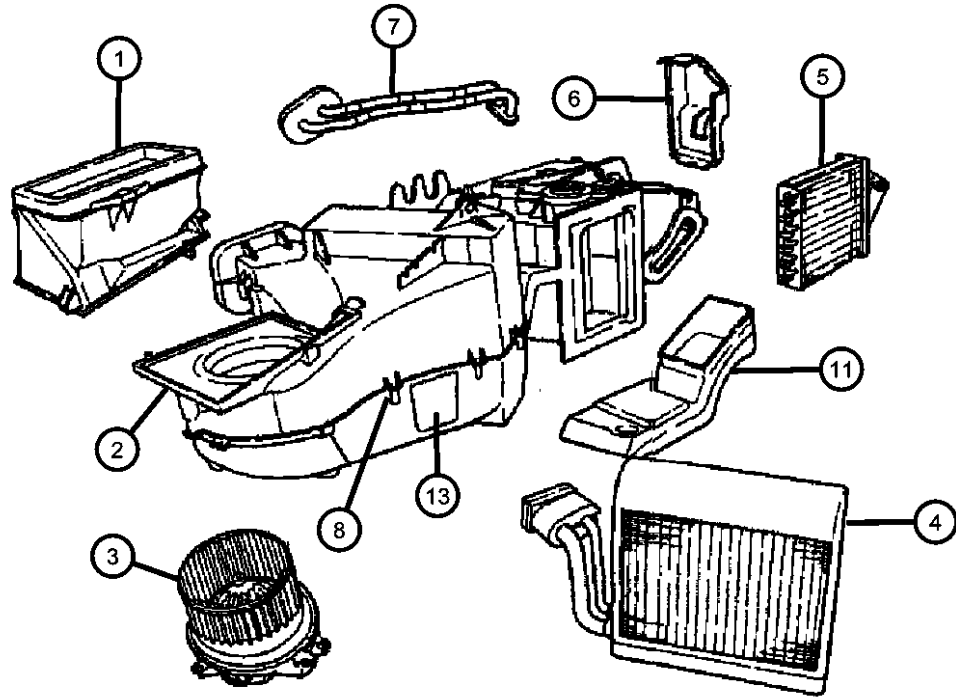
BODY
 27 = 2-DR CONVERTIBLE
 44 = HATCHBACK/QUAD
 CAB CHASSIS LWB

ENGINE
 EDJ = 2.2L 4 Cyl Turbo Diesel Engine
 EDT = 2.4L 4 Cyl DOHC 16V Turbo Engine
 EDV = 2.4L 4 Cyl DOHC 16V HO Turbo Engine
 EDZ = 2.4L 4 Cyl DOHC 16V SMPI Engine
 EJD = 1.6L 4 Cyl SOHC 16V SMPI

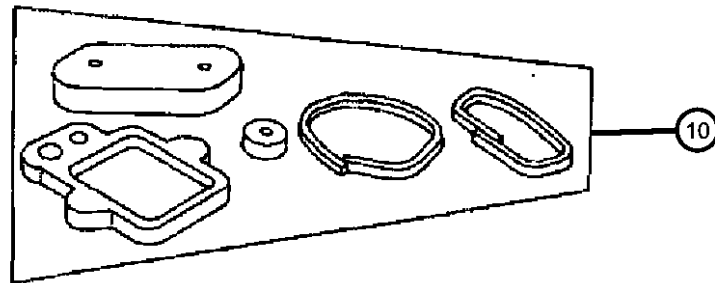
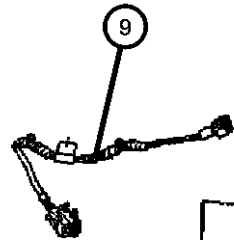
TRANSMISSION
 DGL = 4-Speed Automatic Transmission
 DD5 = 5-Speed Manual Transmission
 DDD = 5-Speed HD Manual Transmission

AR = use ase required - = Non illustrated part

Air Conditioner and Heater Unit [HAA] Right Hand Drive RHD
Figure 24-120



ITEM	PART NUMBER	QTY	LINE	SERIES	BODY	ENGINE	TRANS	TRIM	DESCRIPTION
1	05179206AA	1	Z						HOUSING, Air Inlet
2	05179208AA	1	Z						HOUSING, A/C And Heater
3	05017720AA	1	Z						MOTOR, Blower with Wheel
4	04874180AB	1	Z						EVAPORATOR, Air Conditioning
5	04874181	1	Z						CORE, Heater
6	04874182	1	Z						COVER, Heater Core Tubes
7	04874183	1	Z						TUBE, Heater Core
8	04644499	1	Z						CLIP, Air Conditioning Cable
9	04671712AA	1	Z						WIRING, A/C and HEATER
10	04874187	1	Z						SEAL KIT, A/C And Heater Unit
11	05017669AA	1	Z						DUCT, A/C And Heater
-12	05058026AA	1							RESISTOR, Blower Motor
13	05061067AA	1	Z						GROMMET, Hole plug
-14	05179207AA	1	Z						CABLE, Mode
-15	05179209AA	1	Z						CABLE, Temperature Control



PT CRUISER (PT)

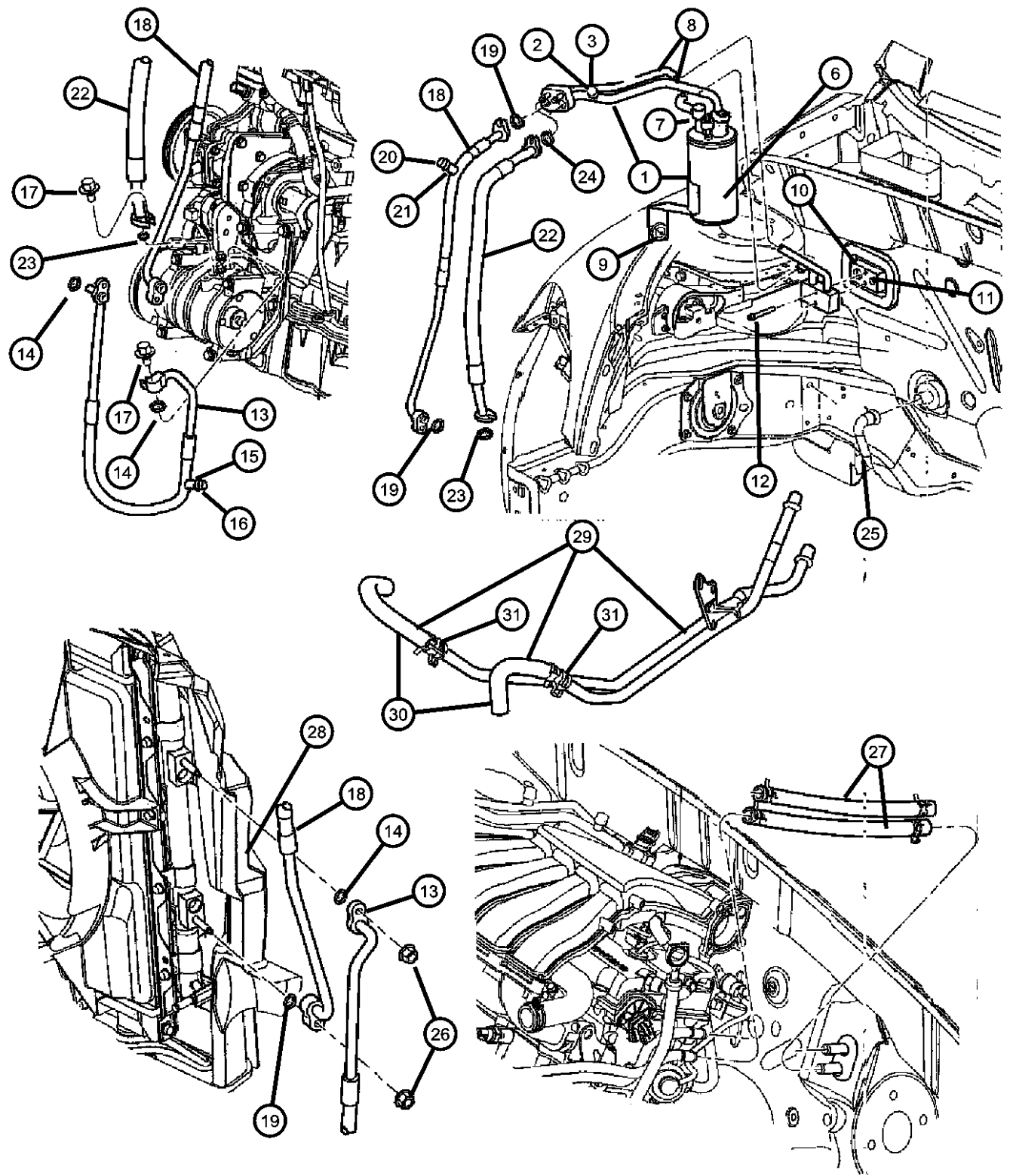
SERIES	LINE
H = HIGHLINE	C = CHRYSLER
P = PREMIUM	Z = CHRYSLER (RHD)
S = SPORT	
X = SPECIAL	

BODY
27 = 2-DR CONVERTIBLE
44 = HATCHBACK/QUAD
CAB CHASSIS LWB

ENGINE	TRANSMISSION
EDJ = 2.2L 4 Cyl Turbo Diesel Engine	DGL = 4-Speed Automatic Transmission
EDT = 2.4L 4 Cyl DOHC 16V Turbo Engine	DD5 = 5-Speed Manual Transmission
EDV = 2.4L 4 Cyl DOHC 16V HO Turbo Engine	DDD = 5-Speed HD Manual Transmission
EDZ = 2.4L 4 Cyl DOHC 16V SMPI Engine	
EJD = 1.6L 4 Cyl SOHC 16V SMPI	

AR = use ase required - = Non illustrated part

**Plumbing, A/C and Heater, 2.4L [EDZ]
Figure 24-210**



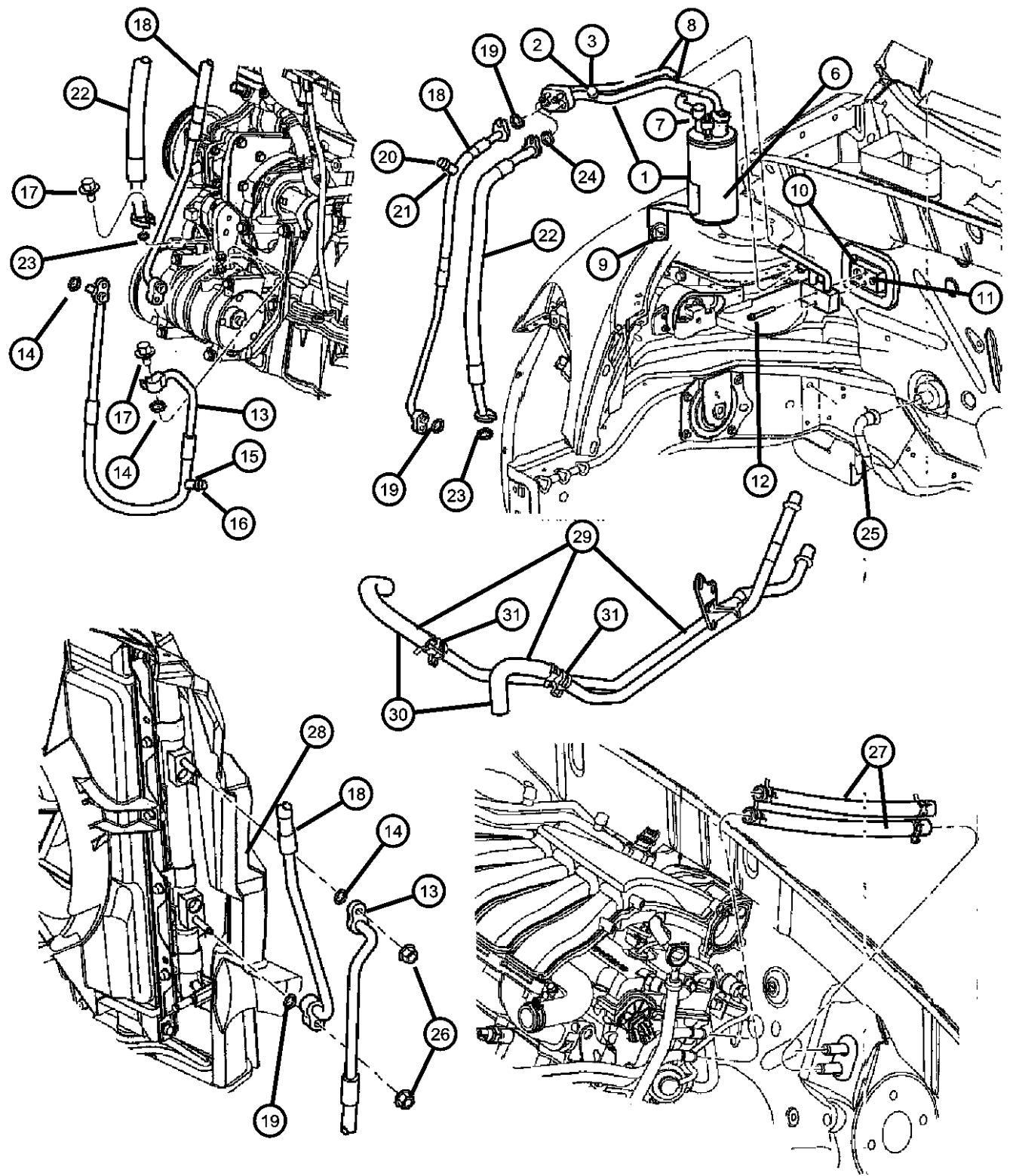
ITEM	PART NUMBER	QTY	LINE	SERIES	BODY	ENGINE	TRANS	TRIM	DESCRIPTION
Sales Codes [EDZ]=2.4L 4 Cyl DOHC 16V									
1	05058271AE	1	C			EDZ			ACCUMULATOR, Suction and Liquid Line, With Tubes VALVE CORE, Service Port
2	05011346AA	1	C			EDZ			
	05127429AA	1	Z		44	EDZ, EJD			
3	05127514AA	1	Z		44	EJD, EDZ			CAP, A/C Charge Valve
-4	05058485AA	1	Z			EDZ, EJD			SWITCH, A/C Low Pressure Cut Off
	05058487AA	1	C			EDZ			
-5	05073618AA	1	Z			EDZ, EJD			O RING
	05096245AA	1	C			EDZ			
6	05179158AA	1	Z			EDZ, EJD			ACCUMULATOR, Air Conditioning
7	05072893AA	2	Z		44	EDZ, EJD			O RING, A/C Line, 5/8 Inch Red In Color
8	05073558AB	1	Z		44	EDZ, EJD			LINE, A/C Suction And Liquid
9	06506740AA	1							SCREW AND WASHER, Accumulator to Frame Rail
10	05096242AA	1	C			EDZ			SEAL, A/C Line, Slim Line 5/8 inch
	05096243AA	1	C			EDZ			1/2 inch
11	05096258AA	1	Z			EDZ, EJD			GASKET, A/C Line
12	06036623AA	2							SCREW
13	05058274AA	1				EDZ			LINE, A/C Discharge
14	05096083AA	1				EDZ			O RING, A/C Line
15	05011346AA	1				EDZ			VALVE CORE, Service Port
16	05072866AA	1				EDZ			CAP, A/C Charge Valve
17	06507872AA	2							SCREW, Discharge Line and Suction Line to Compressor
18	05058272AC	1	C			EDZ			LINE, A/C Liquid
	05278559AI	1	Z			EDZ			

PT CRUISER (PT)

SERIES	LINE	BODY	ENGINE	TRANSMISSION
H = HIGHLINE	C = CHRYSLER	27 = 2-DR CONVERTIBLE	EDJ = 2.2L 4 Cyl Turbo Diesel Engine	DGL = 4-Speed Automatic Transmission
P = PREMIUM	Z = CHRYSLER (RHD)	44 = HATCHBACK/QUAD CAB CHASSIS LWB	EDT = 2.4L 4 Cyl DOHC 16V Turbo Engine	DD5 = 5-Speed Manual Transmission
S = SPORT			EDV = 2.4L 4 Cyl DOHC 16V HO Turbo Engine	DDD = 5-Speed HD Manual Transmission
X = SPECIAL			EDZ = 2.4L 4 Cyl DOHC 16V SMPI Engine	
			EJD = 1.6L 4 Cyl SOHC 16V SMPI	

AR = use ase required - = Non illustrated part

Plumbing, A/C and Heater, 2.4L [EDZ]
Figure 24-210



ITEM	PART NUMBER	QTY	LINE	SERIES	BODY	ENGINE	TRANS	TRIM	DESCRIPTION
19									O RING, A/C Line
	05096083AA	1	C			EDZ			Compressor
		1	Z			EDZ			
	05140443AA	1	C			EDZ			Accumulator
20	05015568AA	1	C			EDZ			CAP, A/C Charge Valve
21	05127429AA	1	C			EDZ			VALVE CORE, Service Port
22									LINE, A/C Suction
	05058273AD	1	C			EDZ			
	05278560AD	1	Z			EDZ			
23	05096200AA	1	Z			EDZ			O RING, A/C Line
24	05140444AA	1	C			EDZ			O RING, A/C Line
25	05264688	1							TUBE, Drain
26	06101445	2							NUT AND WASHER, Hex Nut-Coned Washer, M8 x 1.25
27									HOSE, Heater Core To Tube With Flow Restrictor
	05058022AB	1	Z			EDZ			
	05058854AC	1	C			EDZ			
	05264832AB	1	Z			EDZ			
28	05093598AA	1				EDZ			CONDENSER KIT, Air Conditioning Mopar ValueLine Condenser
	V8507405AA								
29	04777967AC	1				EDZ			HOSE AND TUBE, Heater
30	04884413AA	2				EDZ			HOSE, Heater
31	06502017	4				EDZ			CLAMP, Heater Hose

PT CRUISER (PT)

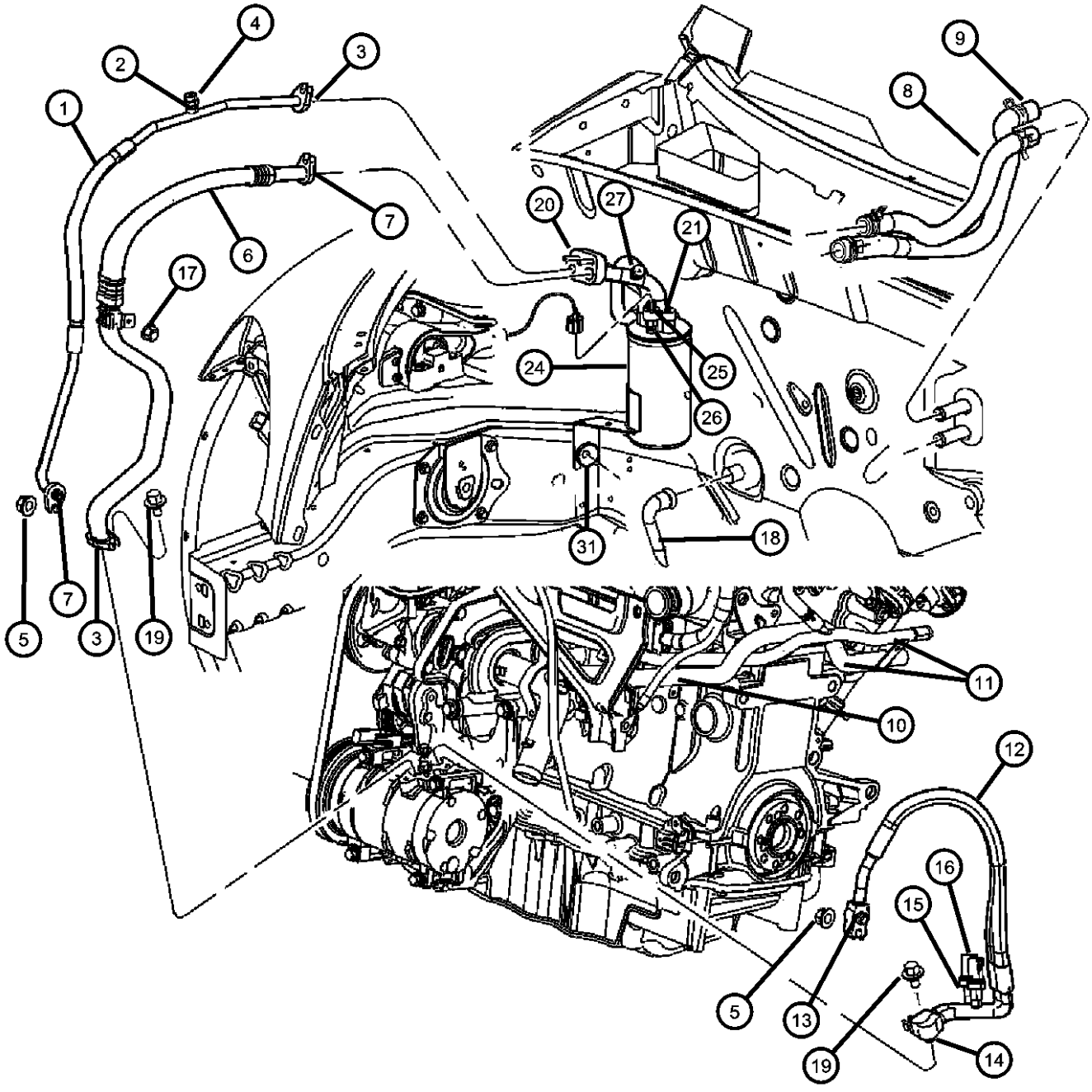
SERIES	LINE	BODY	ENGINE	TRANSMISSION
H = HIGHLINE	C = CHRYSLER	27 = 2-DR CONVERTIBLE	EDJ = 2.2L 4 Cyl Turbo Diesel Engine	DGL = 4-Speed Automatic Transmission
P = PREMIUM	Z = CHRYSLER (RHD)	44 = HATCHBACK/QUAD CAB CHASSIS LWB	EDT = 2.4L 4 Cyl DOHC 16V Turbo Engine	DD5 = 5-Speed Manual Transmission
S = SPORT			EDV = 2.4L 4 Cyl DOHC 16V HO Turbo Engine	DDD = 5-Speed HD Manual Transmission
X = SPECIAL			EDZ = 2.4L 4 Cyl DOHC 16V SMPI Engine	
			EJD = 1.6L 4 Cyl SOHC 16V SMPI	

AR = use ase required - = Non illustrated part

**Plumbing, A/C and Heater, 2.4L Turbo [EDV] [EDT]
Figure 24-220**

ITEM	PART NUMBER	QTY	LINE	SERIES	BODY	ENGINE	TRANS	TRIM	DESCRIPTION
------	-------------	-----	------	--------	------	--------	-------	------	-------------

Sales Codes:
[EDT] = 2.4L Turbo Engine
[EDV] = 2.4L Turbo High Output Engine



1	05058002AI	1				EDV, EDT			LINE, A/C Liquid
2	05011346AA	1				EDT, EDV			VALVE CORE, Service Port
3	05096083AA	1				EDT, EDV			O RING, A/C Line
4	05072866AA	1				EDT, EDV			CAP, A/C Charge Valve
5	06101445	1							NUT AND WASHER, Hex Nut-Coned Washer, M8 x 1.25
6									LINE, A/C Suction
	05058001AE	1	C			EDT, EDV			Automatic Transmission
	05058069AC	1	C			EDV			Manual Transmission
7									O RING, A/C Line
	05096200AA	1	C			EDT, EDV			
		1	C			EDV			
8	05058671AE	1	C			EDT, EDV			HOSE, Heater Supply
9	05058672AF	1	C			EDT, EDV			HOSE, Heater Return
10	04884326AA	1				EDT, EDV			HOSE, Heater
11	04884296AC	1				EDT, EDV			TUBE, Heater, Weldment
12	05058000AE	1	C			EDT, EDV			LINE, A/C Discharge
13	05072868AA	1	C			EDT, EDV			O RING, A/C Line, Condenser
14	05096083AA	1	C			EDT, EDV			O RING, A/C Line, Compressor
15	05011346AA	1	C			EDT, EDV			VALVE CORE, Service Port
16	05072866AA	1	C			EDT, EDV			CAP, A/C Charge Valve
17	06101447	1	C			EDT, EDV			NUT AND WASHER, M6x1.00
18	05264688	1							TUBE, Drain
19	06507872AA	2							SCREW, Discharge Line and Suction Line to Compressor
20	05096291AB	1	C			EDT, EDV			LINE, A/C Suction And Liquid
21	05072893AA	2	C			EDT, EDV			O RING, A/C Line, To Accumulator
-22	05096242AA	1	C			EDT, EDV			SEAL, A/C Line, Slim Line, Evaporator 5/8 inch
-23	05096243AA	1	C			EDT, EDV			SEAL, A/C Line, Slim Line, Evaporator 1/2 inch

PT CRUISER (PT)

SERIES LINE
H = HIGHLINE C = CHRYSLER
P = PREMIUM Z = CHRYSLER (RHD)
S = SPORT
X = SPECIAL

BODY
27 = 2-DR CONVERTIBLE
44 = HATCHBACK/QUAD
CAB CHASSIS LWB

ENGINE
EDJ = 2.2L 4 Cyl Turbo Diesel Engine
EDT = 2.4L 4 Cyl DOHC 16V Turbo Engine
EDV = 2.4L 4 Cyl DOHC 16V HO Turbo Engine
EDZ = 2.4L 4 Cyl DOHC 16V SMPI Engine
EJD = 1.6L 4 Cyl SOHC 16V SMPI

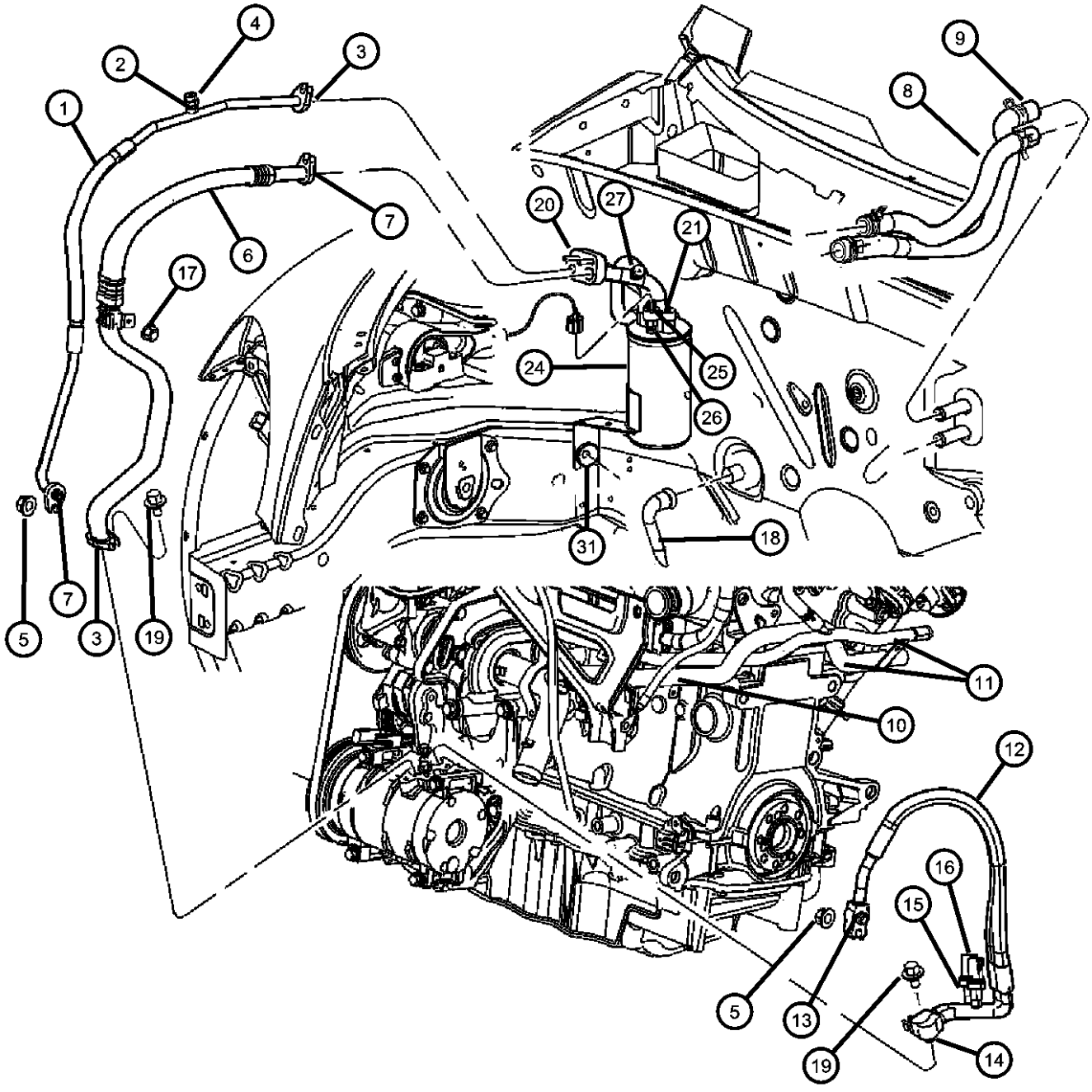
TRANSMISSION
DGL = 4-Speed Automatic Transmission
DD5 = 5-Speed Manual Transmission
DDD = 5-Speed HD Manual Transmission

AR = use ase required - = Non illustrated part

2006 PT

Plumbing, A/C and Heater, 2.4L Turbo [EDV] [EDT]
Figure 24-220

ITEM	PART NUMBER	QTY	LINE	SERIES	BODY	ENGINE	TRANS	TRIM	DESCRIPTION
24	05179157AA	1	C			EDT, EDV			ACCUMULATOR, Air Conditioning
25	05058487AA	1	C			EDT, EDV			SWITCH, A/C Low Pressure Cut Off
26	05096245AA	1	C			EDT, EDV			O RING
27	05011346AA	1	C			EDT, EDV			VALVE CORE, Service Port
-28	05096191AA	1				EDT, EDV			CONDENSER KIT, Air Conditioning
-29	05096192AA	1				EDT, EDV			SEAL, Condenser, Left Side
-30	05096194AA	1				EDT, EDV			SEAL, Condenser, Right Side
31	06506740AA	1							SCREW AND WASHER, Accumulator to Frame Rail



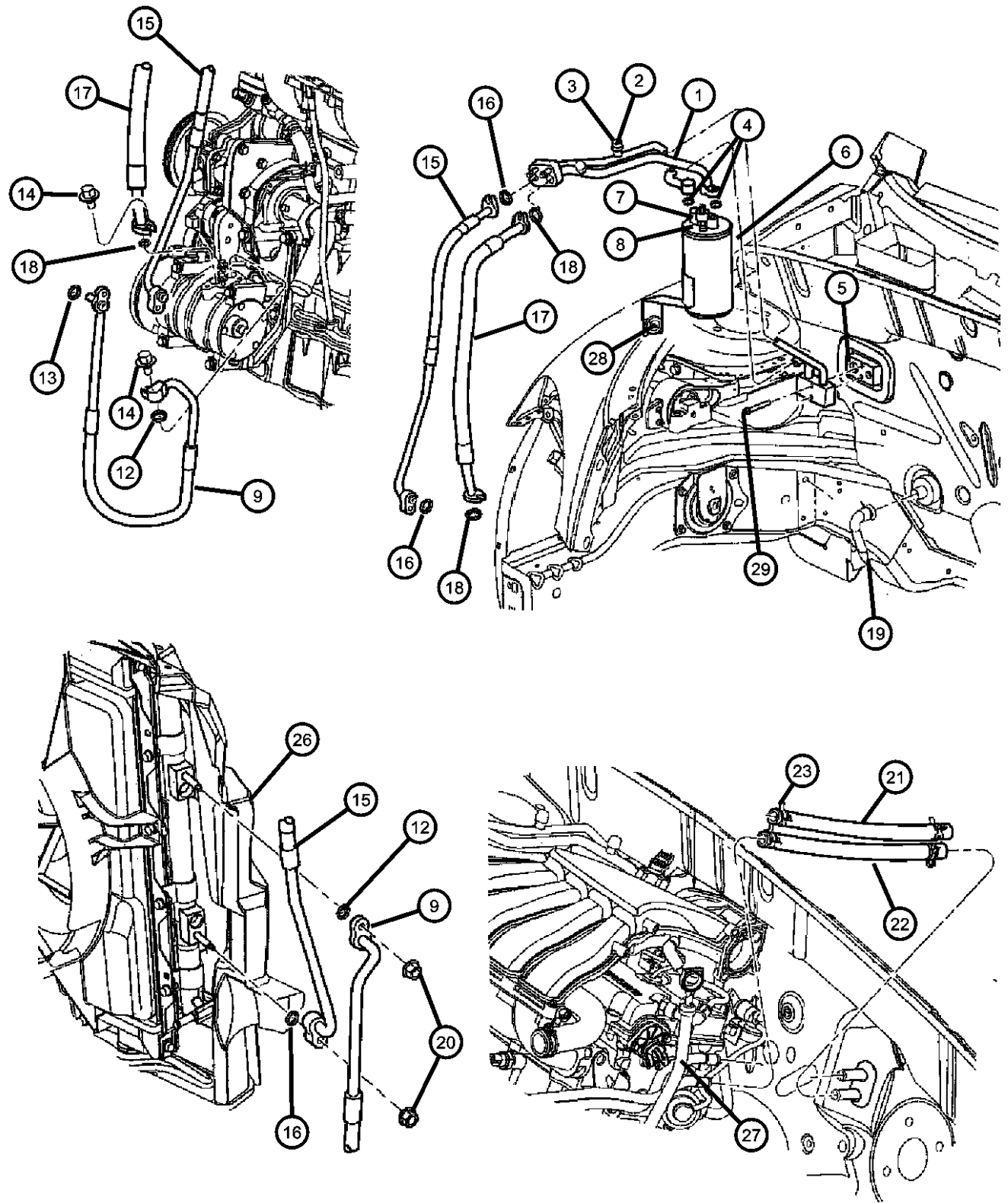
PT CRUISER (PT)

SERIES	LINE	BODY	ENGINE	TRANSMISSION
H = HIGHLINE	C = CHRYSLER	27 = 2-DR CONVERTIBLE	EDJ = 2.2L 4 Cyl Turbo Diesel Engine	DGL = 4-Speed Automatic Transmission
P = PREMIUM	Z = CHRYSLER (RHD)	44 = HATCHBACK/QUAD CAB CHASSIS LWB	EDT = 2.4L 4 Cyl DOHC 16V Turbo Engine	DD5 = 5-Speed Manual Transmission
S = SPORT			EDV = 2.4L 4 Cyl DOHC 16V HO Turbo Engine	DDD = 5-Speed HD Manual Transmission
X = SPECIAL			EDZ = 2.4L 4 Cyl DOHC 16V SMPI Engine	
			EJD = 1.6L 4 Cyl SOHC 16V SMPI	

AR = use ase required - = Non illustrated part

2006 PT

**Plumbing, A/C and Heater, 1.6L [EJD], 2.2L Diesel [EDJ]
Figure 24-230**



ITEM	PART NUMBER	QTY	LINE	SERIES	BODY	ENGINE	TRANS	TRIM	DESCRIPTION
------	-------------	-----	------	--------	------	--------	-------	------	-------------

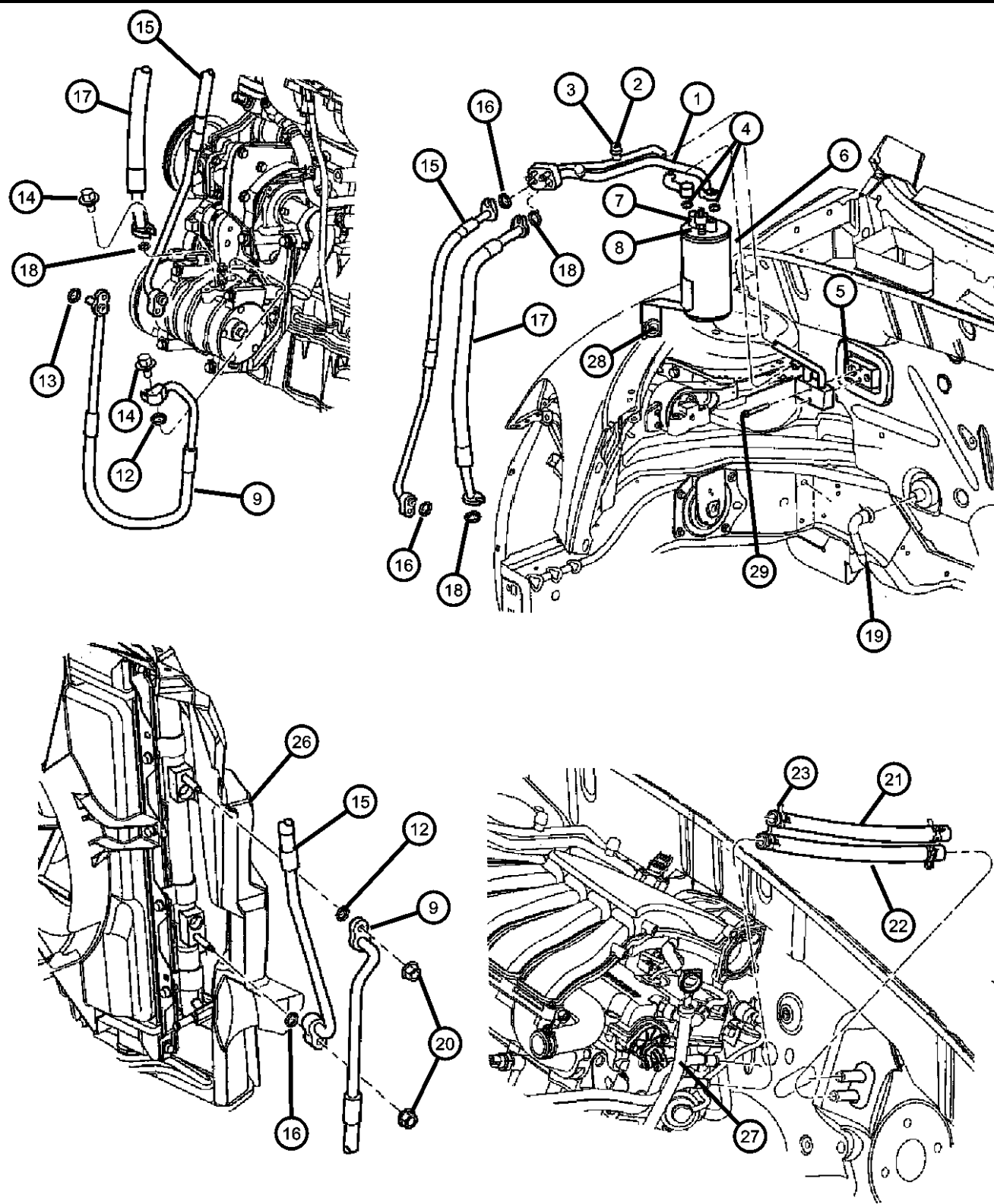
Sale Codes:
[EDJ]= 2.2L Diesel
[EJD]= 1.6L 4 Cyl. SOHC 16V Engine

1	05073557AB	1	C			EDJ, EJD			LINE, A/C Suction And Liquid
2	05127429AA	1	C			EDJ, EJD			VALVE CORE, Service Port
3	05015568AA	1	C			EDJ, EJD			CAP, A/C Charge Valve
4	05072893AA	2	C			EDJ, EJD			O RING, A/C Line
5	05096258AA	1	C			EDJ, EJD			GASKET, A/C Line
6	05179159AA	1	C			EDJ, EJD			ACCUMULATOR, Air Conditioning
7	05058487AA	1	C			EDJ, EJD			SWITCH, A/C Low Pressure Cut Off
8	05096245AA	1	C			EDJ, EJD			O RING
9									LINE, A/C Discharge
	05278778AE	1				EDJ			
	05278992AD	1				EJD			
-10									CAP, A/C Charge Valve
	05072866AA	1				EDJ			
		1				EJD			
-11									VALVE CORE, Service Port
	05011346AA	1				EDJ			
		1				EJD			
12									O RING, A/C Line
	05096083AA	1				EDJ			
		1				EJD			
13									O RING, A/C Line
	05072868AA	1				EDJ			
		1				EJD			
14	06507872AA	2							SCREW, Discharge Line and Suction Line to Compressor
15									LINE, A/C Liquid
	05278559AG	1				EJD			
	05278779AF	1				EDJ			
16									O RING, A/C Line

PT CRUISER (PT)
 SERIES LINE BODY ENGINE TRANSMISSION
 H = HIGHLINE C = CHRYSLER 27 = 2-DR CONVERTIBLE EDJ = 2.2L 4 Cyl Turbo Diesel DGL = 4-Speed Automatic
 P = PREMIUM Z = CHRYSLER (RHD) 44 = HATCHBACK/QUAD CAB CHASSIS LWB Engine Transmission
 S = SPORT EDT = 2.4L 4 Cyl DOHC 16V Turbo Engine DD5 = 5-Speed Manual Transmission
 X = SPECIAL EDV = 2.4L 4 Cyl DOHC 16V HO Turbo Engine DDD = 5-Speed HD Manual Transmission
 EDZ = 2.4L 4 Cyl DOHC 16V SMPI Engine
 EJD = 1.6L 4 Cyl SOHC 16V SMPI

AR = use ase required - = Non illustrated part

Plumbing, A/C and Heater, 1.6L [EJD], 2.2L Diesel [EDJ]
Figure 24-230



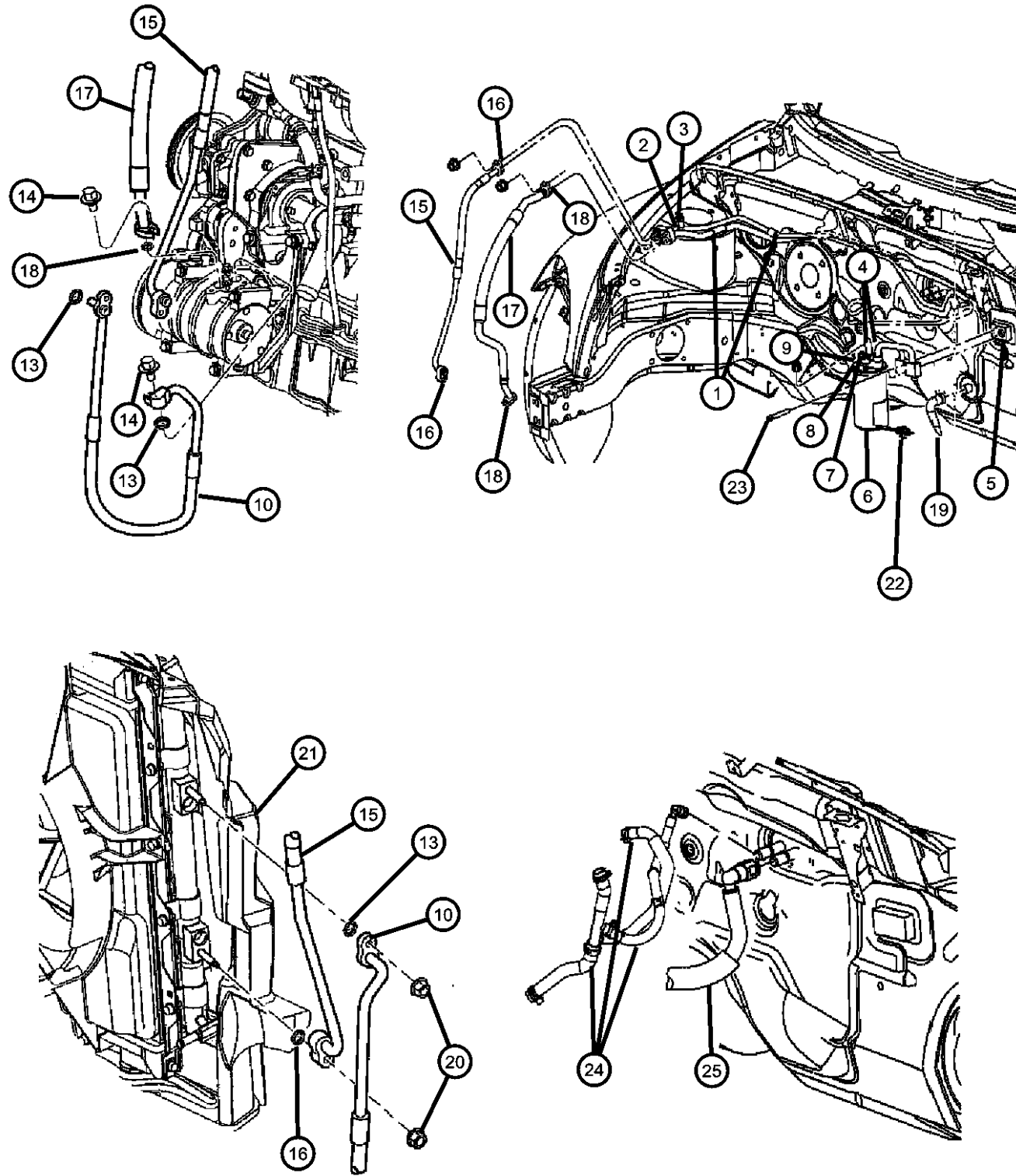
ITEM	PART NUMBER	QTY	LINE	SERIES	BODY	ENGINE	TRANS	TRIM	DESCRIPTION
	05072868AA	1				EDJ			Condenser
	05096083AA	1				EJD			Condenser
		1				EDJ			Block Inlet
		1				EJD			Block Inlet
17									LINE, A/C Suction
	05278780AD	1				EDJ			
	05278991AE	1				EJD			
18									O RING, A/C Line
	05096200AA	1				EJD			
		1				EDJ			
19	05264688	1							TUBE, Drain
20	06101445	2							NUT AND WASHER, Hex Nut-Coned Washer, M8 x 1.25
21	05278575AE	1	C			EJD			HOSE, Heater Core To Tube, Outlet
22	05058091AA	1	C			EJD			HOSE, Heater Core To Tube, Inlet
23	06502017	2	C			EJD			CLAMP, Hose, 24X15
-24	05058391AD	1	C			EDJ			HOSE, Cooling system, Heater Return
-25	05058390AD	1	C			EDJ			HOSE, Heater Supply
26									CONDENSER KIT, Air Conditioning
	05093598AA	1				EJD			
	V8507405AA								Mopar ValueLine Condenser
	05093708AA	1				EDJ			
27	04693139AC	1				EJD			TUBE, Heater
28	06506740AA	1							SCREW AND WASHER, Accumulator to Frame Rail
29	06036623AA	2							SCREW

PT CRUISER (PT)

SERIES	LINE	BODY	ENGINE	TRANSMISSION
H = HIGHLINE	C = CHRYSLER	27 = 2-DR CONVERTIBLE	EDJ = 2.2L 4 Cyl Turbo Diesel Engine	DGL = 4-Speed Automatic Transmission
P = PREMIUM	Z = CHRYSLER (RHD)	44 = HATCHBACK/QUAD CAB CHASSIS LWB	EDT = 2.4L 4 Cyl DOHC 16V Turbo Engine	DD5 = 5-Speed Manual Transmission
S = SPORT			EDV = 2.4L 4 Cyl DOHC 16V HO Turbo Engine	DDD = 5-Speed HD Manual Transmission
X = SPECIAL			EDZ = 2.4L 4 Cyl DOHC 16V SMPI Engine	
			EJD = 1.6L 4 Cyl SOHC 16V SMPI	

AR = use ase required - = Non illustrated part

Plumbing, A/C and Heater, 2.2L Diesel [EDJ] RHD
Figure 24-240



ITEM	PART NUMBER	QTY	LINE	SERIES	BODY	ENGINE	TRANS	TRIM	DESCRIPTION
Sale Codes: [EDJ]= 2.2L 4 Cyl. Turbo Diesel									
1	05073558AB	1	Z			EDJ			LINE, A/C Suction And Liquid
2	05127429AA	1	Z			EDJ			VALVE CORE, Service Port
3	05127514AA	1	Z			EDJ			CAP, A/C Charge Valve
4	05072893AA	2	Z			EDJ			O RING, A/C Line
5	05096258AA	1	Z			EDJ			GASKET, A/C Line
6	05179160AA	1	Z			EDJ			ACCUMULATOR, Air Conditioning
7	05058483AA	1	Z			EDJ			SWITCH, A/C Low Pressure Cut Off
8	05073618AA	1	Z			EDJ			O RING
9	05011346AA	1	Z			EDJ			VALVE CORE, Service Port
10	05278778AE	1				EDJ			LINE, A/C Discharge
-11	05072866AA	1				EDJ			CAP, A/C Charge Valve
-12	05011346AA	1	Z			EDJ			VALVE CORE, Service Port
13									O RING, A/C Line
	05072868AA	1				EDJ			Condenser
	05096083AA	1				EDJ			Compressor
14	06507872AA	2							SCREW, Discharge Line and Suction Line to Compressor
15	05278779AF	1				EDJ			LINE, A/C Liquid
16									O RING, A/C Line
	05072868AA	1				EDJ			Condenser
	05096083AA	1				EDJ			Block
17	05278780AD	1				EDJ			LINE, A/C Suction
18	05096200AA	1				EDJ			O RING, A/C Line
19	05264688	1							TUBE, Drain
20	06101445	2							NUT AND WASHER, Hex Nut-Coned Washer, M8 x 1.25
21	05093708AA	1				EDJ			CONDENSER KIT, Air Conditioning
22	06506740AA	1							SCREW AND WASHER, Accumulator to Frame Rail
23	06036623AA	2							SCREW

PT CRUISER (PT)

SERIES LINE
H = HIGHLINE C = CHRYSLER
P = PREMIUM Z = CHRYSLER (RHD)
S = SPORT
X = SPECIAL

BODY
27 = 2-DR CONVERTIBLE
44 = HATCHBACK/QUAD
CAB CHASSIS LWB

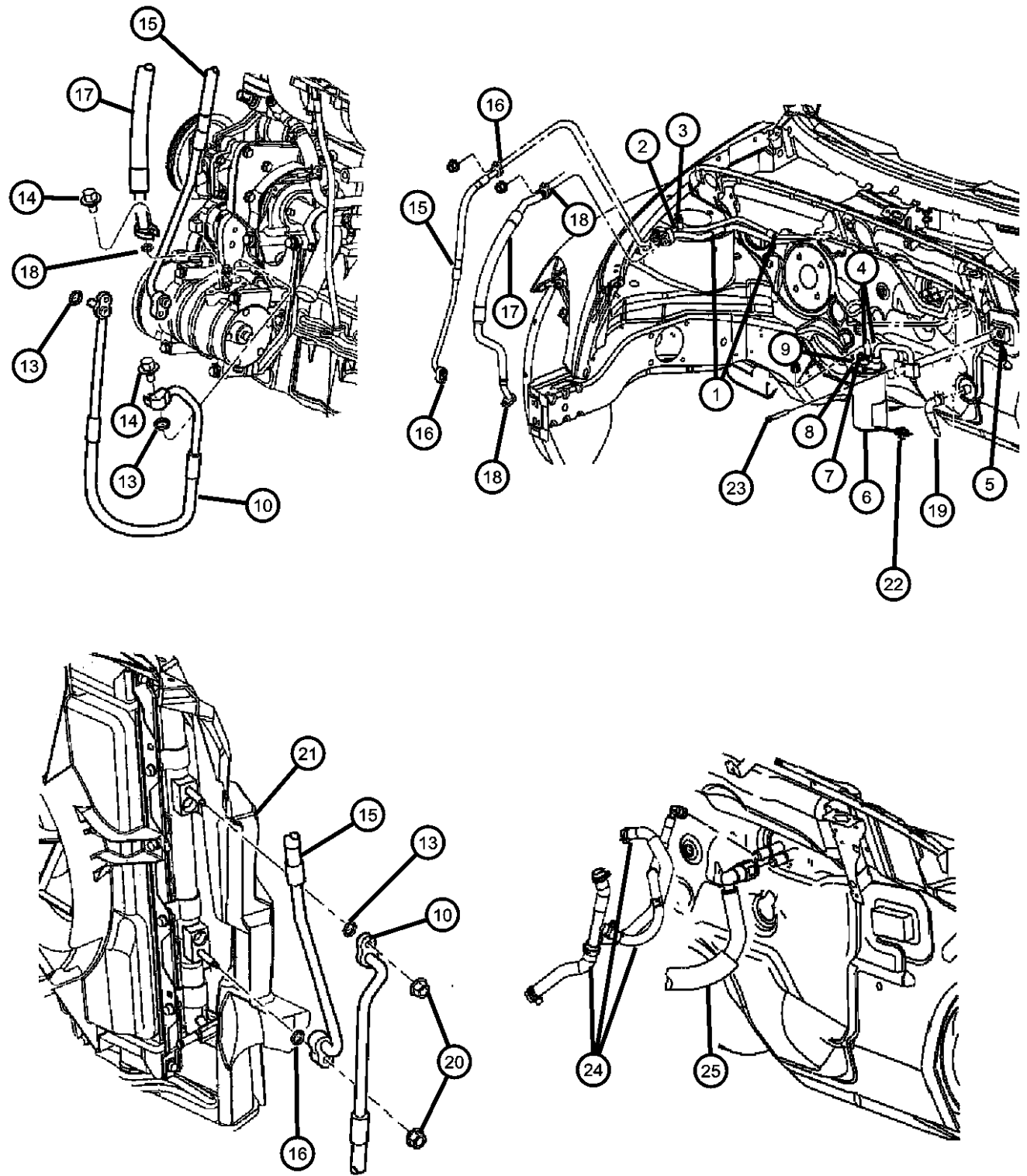
ENGINE
EDJ = 2.2L 4 Cyl Turbo Diesel Engine
EDT = 2.4L 4 Cyl DOHC 16V Turbo Engine
EDV = 2.4L 4 Cyl DOHC 16V HO Turbo Engine
EDZ = 2.4L 4 Cyl DOHC 16V SMPI Engine
EJD = 1.6L 4 Cyl SOHC 16V SMPI

TRANSMISSION
DGL = 4-Speed Automatic Transmission
DD5 = 5-Speed Manual Transmission
DDD = 5-Speed HD Manual Transmission

AR = use ase required - = Non illustrated part

2006 PT

Plumbing, A/C and Heater, 2.2L Diesel [EDJ] RHD
Figure 24-240



ITEM	PART NUMBER	QTY	LINE	SERIES	BODY	ENGINE	TRANS	TRIM	DESCRIPTION
24	05058392AD	1	Z			EDJ			HOSE, Cooling system
25	05058389AC	1	Z			EDJ			HOSE, Heater Supply

PT CRUISER (PT)

SERIES LINE
H = HIGHLINE C = CHRYSLER
P = PREMIUM Z = CHRYSLER (RHD)
S = SPORT
X = SPECIAL

BODY
27 = 2-DR CONVERTIBLE
44 = HATCHBACK/QUAD
CAB CHASSIS LWB

ENGINE
EDJ = 2.2L 4 Cyl Turbo Diesel Engine
EDT = 2.4L 4 Cyl DOHC 16V Turbo Engine
EDV = 2.4L 4 Cyl DOHC 16V HO Turbo Engine
EDZ = 2.4L 4 Cyl DOHC 16V SMPI Engine
EJD = 1.6L 4 Cyl SOHC 16V SMPI

TRANSMISSION
DGL = 4-Speed Automatic Transmission
DD5 = 5-Speed Manual Transmission
DDD = 5-Speed HD Manual Transmission

AR = use ase required - = Non illustrated part

Controls, Air Conditioning and Heater

Figure 24-302

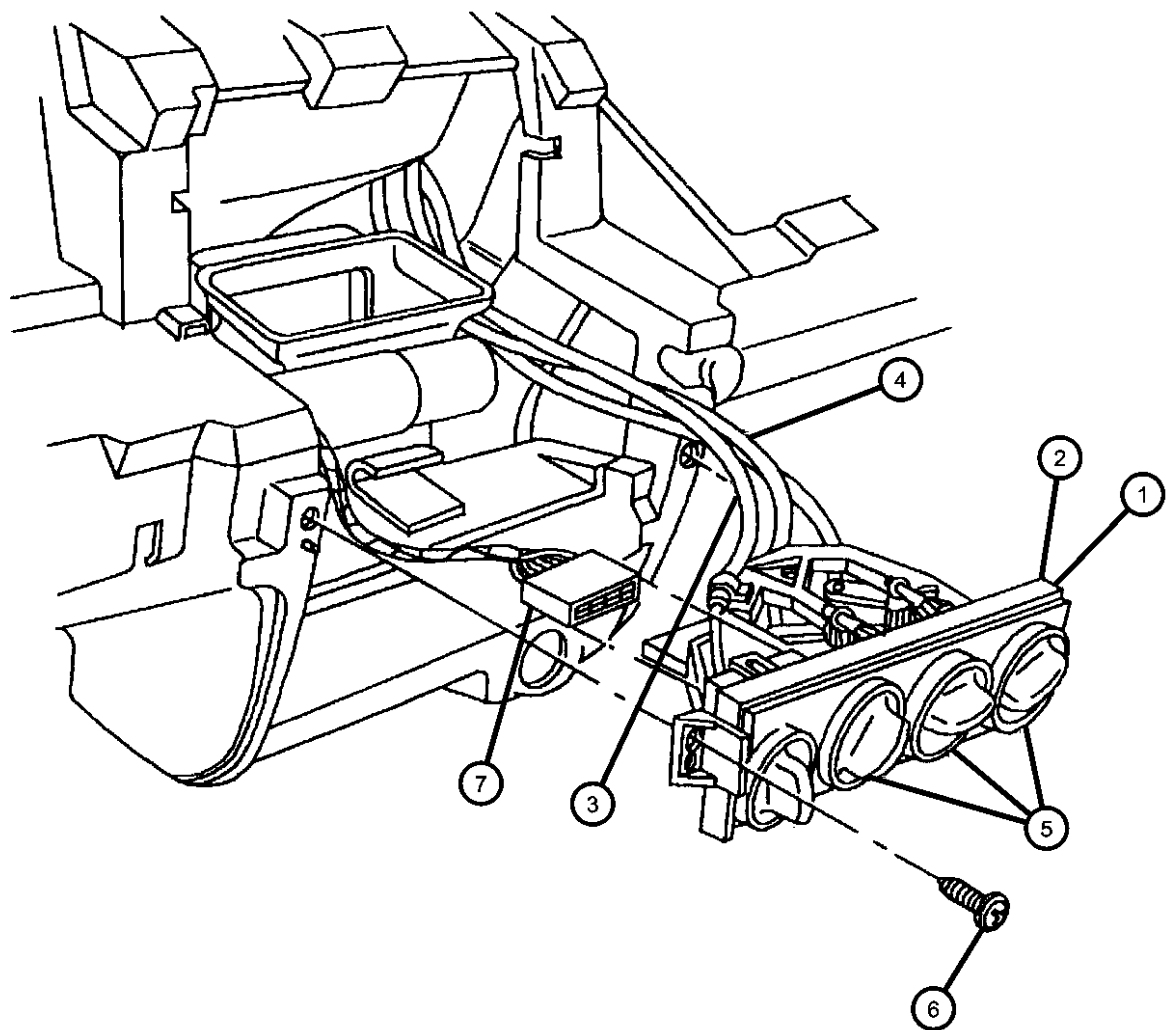
ITEM	PART NUMBER	QTY	LINE	SERIES	BODY	ENGINE	TRANS	TRIM	DESCRIPTION
------	-------------	-----	------	--------	------	--------	-------	------	-------------

Sales Codes:

[HAA] = Air Conditioning

[HCD] = Heater without Air Conditioning

1	55111844AD	1							CONTROL, A/C And Heater, [HAA]
2	55111845AD	1							CONTROL, Heater, [HCD]
3									CABLE, Mode
	05179207AA	1	Z						RHD
	05179479AA	1	C						LHD
4									CABLE, Temperature Control
	05179209AA	1	Z						RHD
	05179480AA	1	C						LHD
5	05179430AA	3							KNOB, A/C or Heater Control - Rotary
6	06104567AA	4							SCREW
7	06104567AA	4							HARNES, Instrument Panel, Please see Group 8- Illustration 1405, (NOT SERVICED)



PT CRUISER (PT)

SERIES LINE
 H = HIGHLINE C = CHRYSLER
 P = PREMIUM Z = CHRYSLER (RHD)
 S = SPORT
 X = SPECIAL

BODY
 27 = 2-DR CONVERTIBLE
 44 = HATCHBACK/QUAD
 CAB CHASSIS LWB

ENGINE TRANSMISSION
 EDJ = 2.2L 4 Cyl Turbo Diesel Engine
 EDT = 2.4L 4 Cyl DOHC 16V Turbo Engine
 EDV = 2.4L 4 Cyl DOHC 16V HO Turbo Engine
 EDZ = 2.4L 4 Cyl DOHC 16V SMPI Engine
 EJD = 1.6L 4 Cyl SOHC 16V SMPI
 DGL = 4-Speed Automatic Transmission
 DD5 = 5-Speed Manual Transmission
 DDD = 5-Speed HD Manual Transmission

AR = use ase required - = Non illustrated part

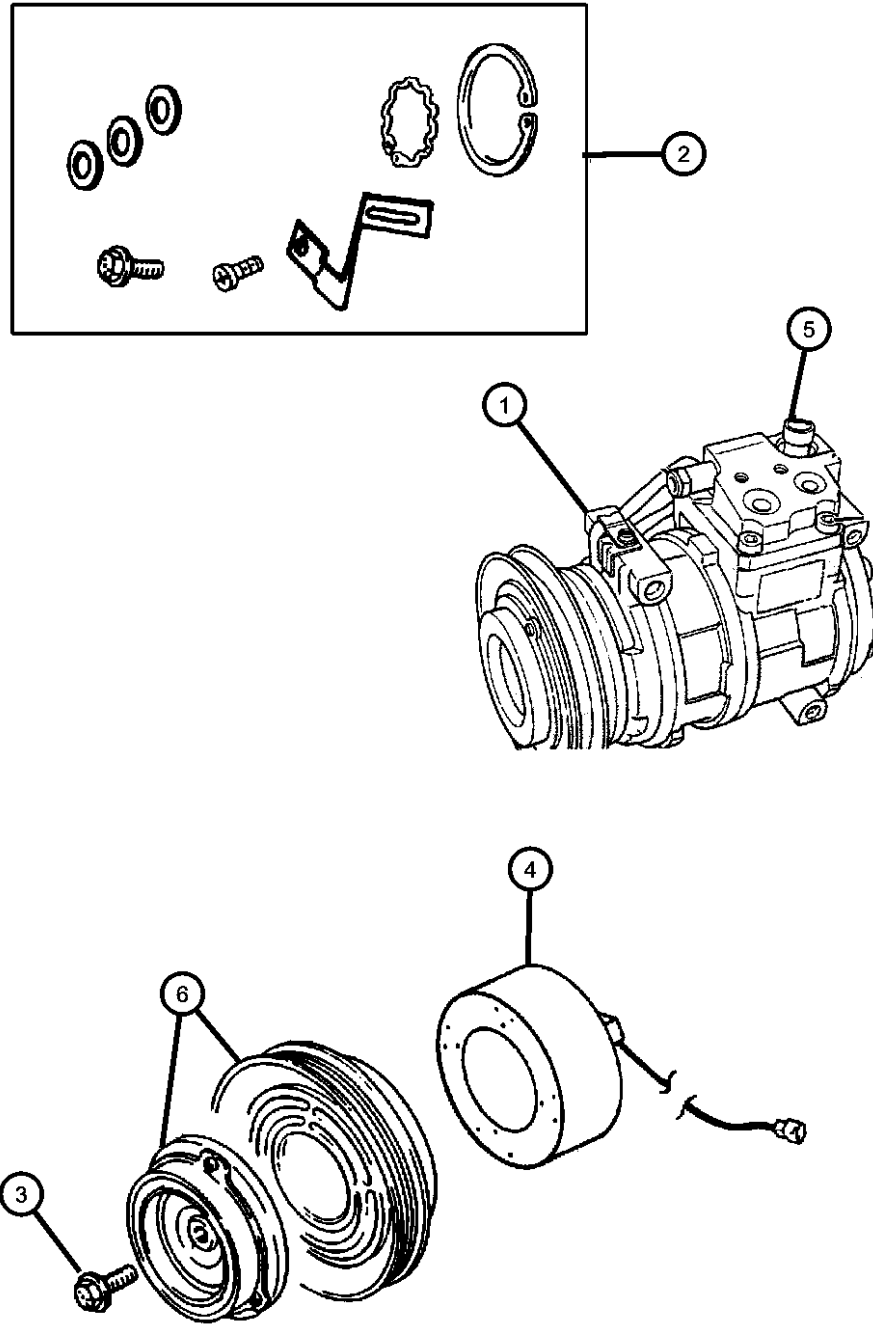
2006 PT

**Compressor
Figure 24-410**

ITEM	PART NUMBER	QTY	LINE	SERIES	BODY	ENGINE	TRANS	TRIM	DESCRIPTION
------	-------------	-----	------	--------	------	--------	-------	------	-------------

Sales Codes:

[EDJ] = 2.2L 4 CYL TURBO DIESEL
 [EDV] = 2.4L 4 CYL DOHC 16V TURBO
 [EDZ] = 2.4L 4 CYL DOHC 16V
 [EJD] = 1.6L 4 CYL SOHC 16V



1									COMPRESSOR, Air Conditioning
	05058031AC	1				EDT, EDV			Automatic Transmission
	05058032AC	1				EDT, EDV			Manual Transmission
	05058030AC	1				EJD			
	05080494AC	1				EDJ			
		1				EDZ			
2	05014572AA	1				EDZ			CLUTCH OVERHAUL KIT, A/C Compressor
3	05016162AA	1				EDZ			BOLT, A/C Compressor
4									COIL, Air Conditioning Clutch
	05003681AA	1				EDT, EDV			
		1				EJD			
		1				EDZ			
5	05014574AA	1				EDZ			SWITCH, A/C High Pressure Cut Off
6									PULLEY HUB KIT, A/C Compressor
	05014573AA	1				EDT, EDV			
		1				EDZ			
	05017695AA	1				EJD			
-7									LUBRICANT, A/C Compressor
	82300102	1				EJD			
		1				EDT, EDV			Automatic
		1				EDT, EDV			Manual

PT CRUISER (PT)

SERIES LINE
 H = HIGHLINE C = CHRYSLER
 P = PREMIUM Z = CHRYSLER (RHD)
 S = SPORT
 X = SPECIAL

BODY
 27 = 2-DR CONVERTIBLE
 44 = HATCHBACK/QUAD
 CAB CHASSIS LWB

ENGINE
 EDJ = 2.2L 4 Cyl Turbo Diesel Engine
 EDT = 2.4L 4 Cyl DOHC 16V Turbo Engine
 EDV = 2.4L 4 Cyl DOHC 16V HO Turbo Engine
 EDZ = 2.4L 4 Cyl DOHC 16V SMPI Engine
 EJD = 1.6L 4 Cyl SOHC 16V SMPI

TRANSMISSION
 DGL = 4-Speed Automatic Transmission
 DD5 = 5-Speed Manual Transmission
 DDD = 5-Speed HD Manual Transmission

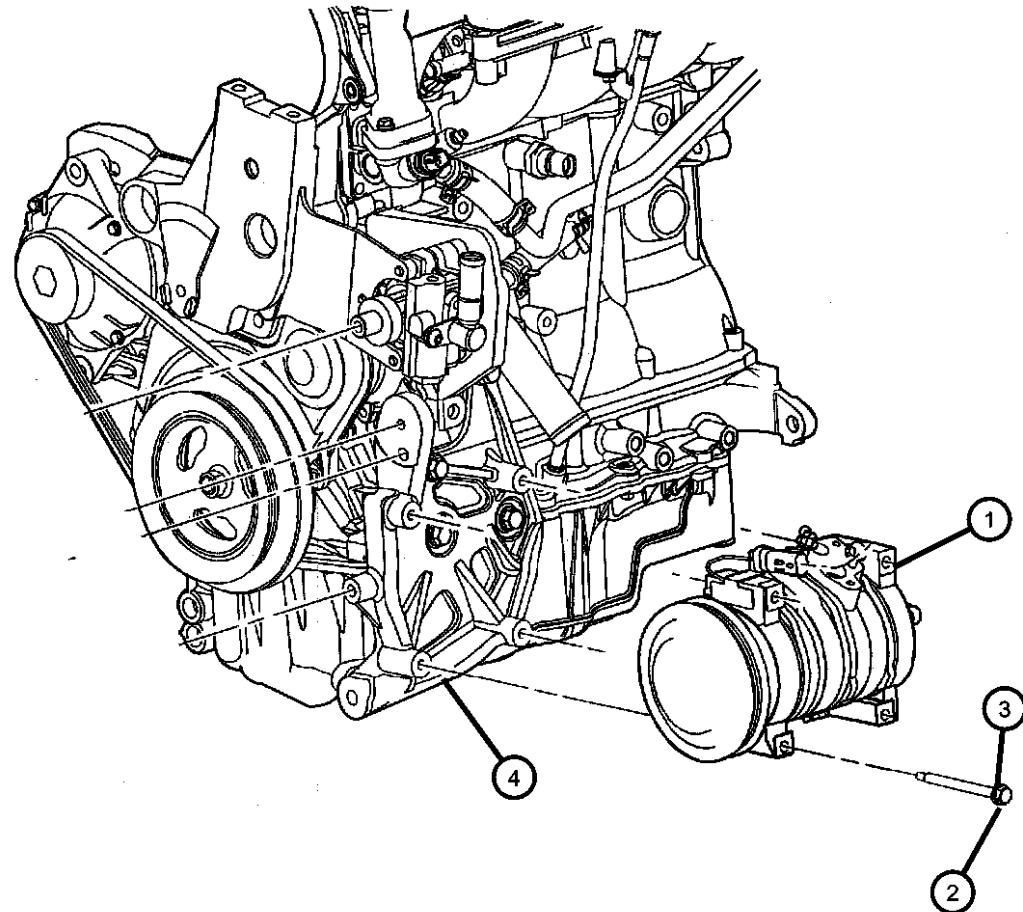
AR = use ase required - = Non illustrated part

2006 PT

**Compressor Mounting
Figure 24-510**

ITEM	PART NUMBER	QTY	LINE	SERIES	BODY	ENGINE	TRANS	TRIM	DESCRIPTION
------	-------------	-----	------	--------	------	--------	-------	------	-------------

Sales Codes:
 [EDT] = 2.4L 4 CYL DOHC 16V Turbo
 [EDZ] = 2.4L 4 CYL DOHC 16V SMPI
 [EDV] = 2.4L 4 CYL DOHC 16V High Output Turbo
 [EJD] = 1.6L 4 CYL SOHC 16V SMPI



1									COMPRESSOR, Air Conditioning
	05058030AC	1				EJD			
	05058031AC	1				EDT, EDV			Automatic
	05058032AC	1				EDT, EDV			Manual
2									SCREW AND WASHER, Hex Head, M8x1.25x100
	06503219	4				EDT, EDV, EDZ			Compressor to Pan
		1				EJD			
3									SCREW AND WASHER, Hex Head, M8x1.25x45
	06101614	2				EJD			Bracket to Compressor
		2				EJD			Compressor to Bed Plate
4									BRACKET, Torque Reaction
	04668687AB	1				EDZ			
	05085226AA	1				EDT, EDV			Automatic
	05085227AA	1				EDV			Manual
-5	04668545AA	1				EJD			BRACKET, A/C Compressor

PT CRUISER (PT)

SERIES LINE
 H = HIGHLINE C = CHRYSLER
 P = PREMIUM Z = CHRYSLER (RHD)
 S = SPORT
 X = SPECIAL

BODY
 27 = 2-DR CONVERTIBLE
 44 = HATCHBACK/QUAD
 CAB CHASSIS LWB

ENGINE
 EDJ = 2.2L 4 Cyl Turbo Diesel Engine
 EDT = 2.4L 4 Cyl DOHC 16V Turbo Engine
 EDV = 2.4L 4 Cyl DOHC 16V HO Turbo Engine
 EDZ = 2.4L 4 Cyl DOHC 16V SMPI Engine
 EJD = 1.6L 4 Cyl SOHC 16V SMPI

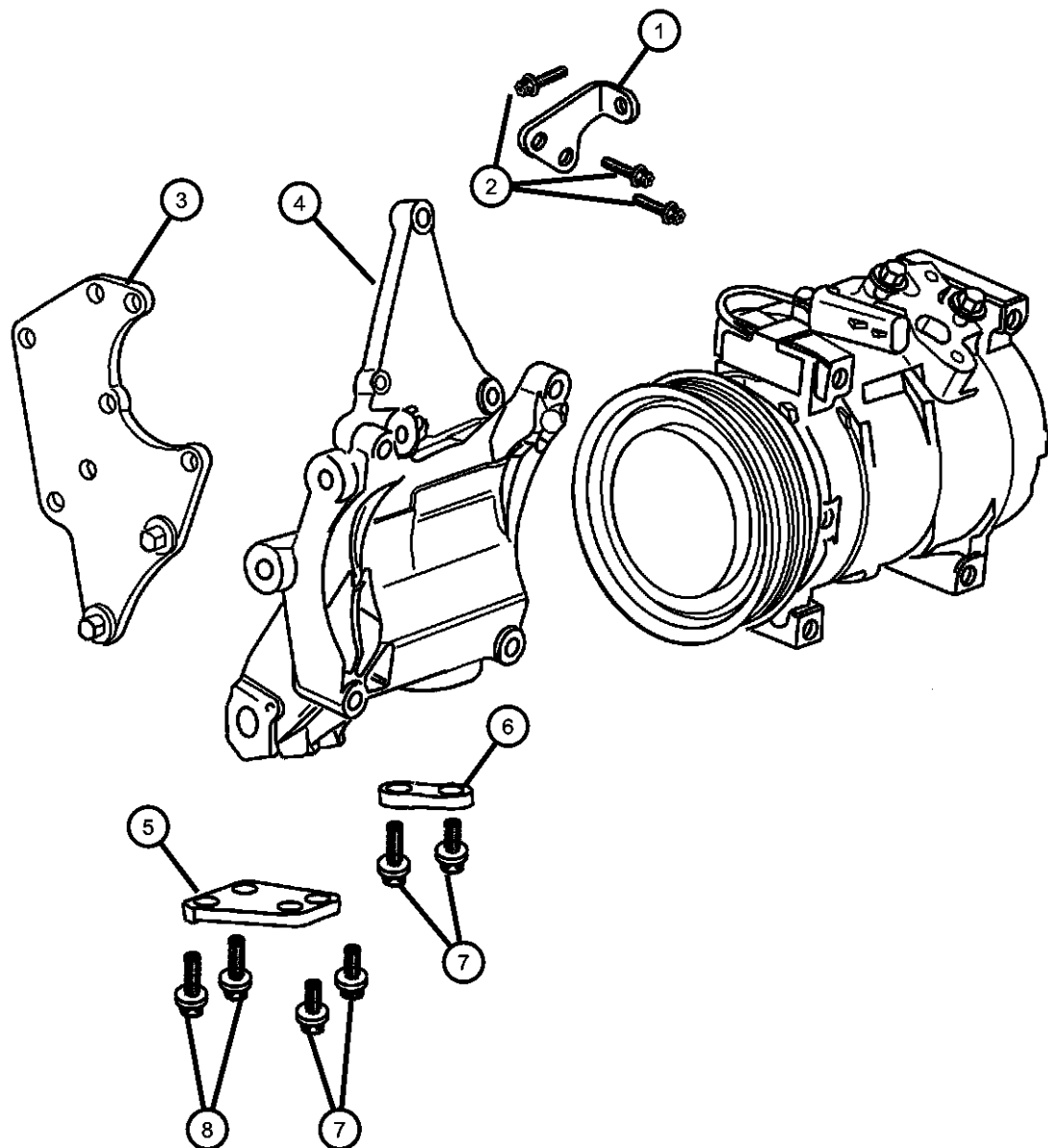
TRANSMISSION
 DGL = 4-Speed Automatic Transmission
 DD5 = 5-Speed Manual Transmission
 DDD = 5-Speed HD Manual Transmission

AR = use ase required - = Non illustrated part

2006 PT

**Compressor Mounting
Figure 24-520**

ITEM	PART NUMBER	QTY	LINE	SERIES	BODY	ENGINE	TRANS	TRIM	DESCRIPTION
1	05080498AA	1				EDJ			BRACKET
2	06104076AA	2				EDJ			SCREW
3	53013545AA	1				EDJ			BRACKET, Power Steering Pump
4	05083377AB	1				EDJ			BRACKET, A/C Compressor
5	05080497AA	1				EDJ			BRACKET, A/C Compressor
6	05080496AA	1				EDJ			BRACKET, A/C Compressor
7	06104022AB	2				EDJ			SCREW, M8X1.25X16.00
8	06104024AA	2				EDJ			SCREW, M8X1.25X25.00



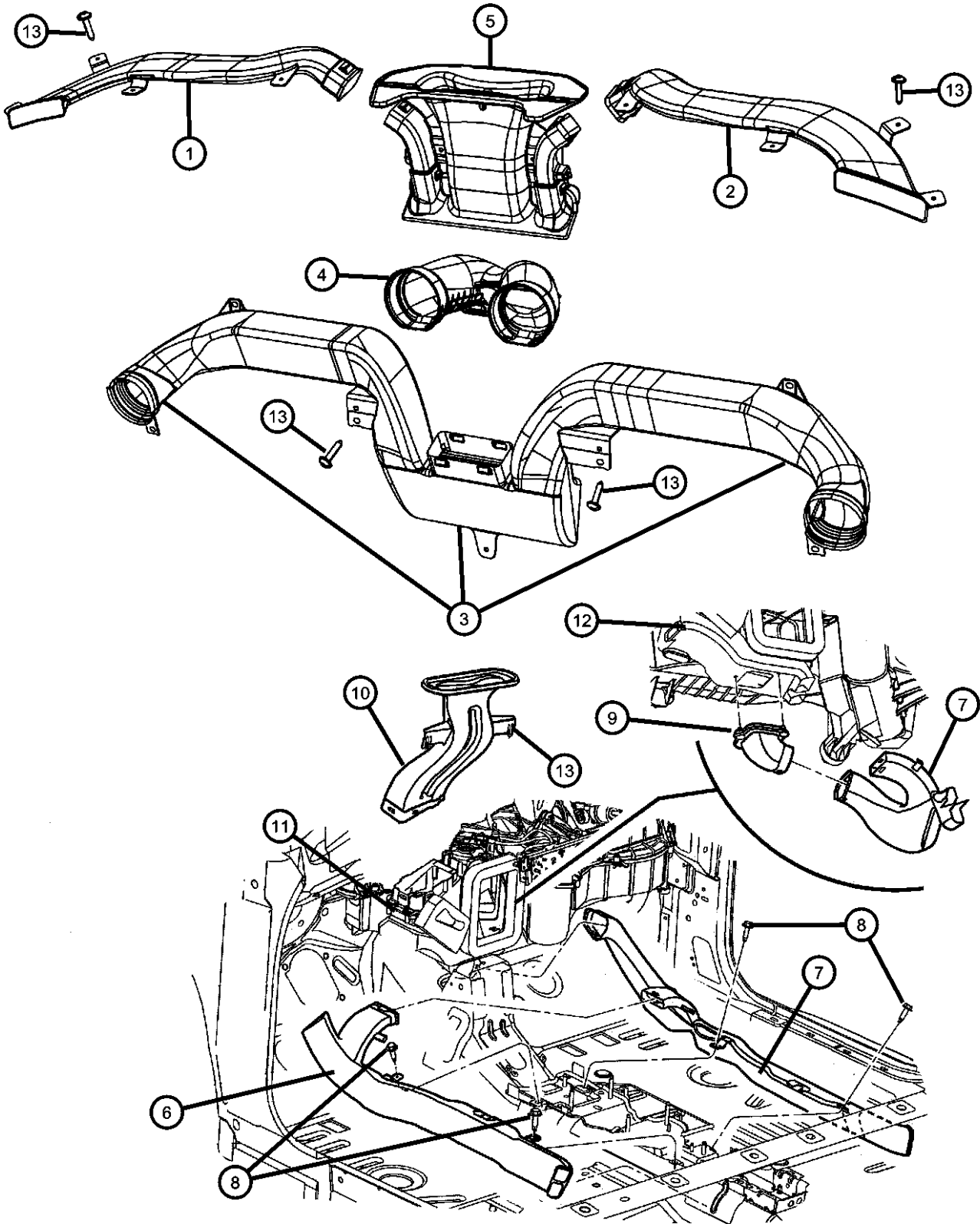
PT CRUISER (PT)

SERIES	LINE	BODY	ENGINE	TRANSMISSION
H = HIGHLINE	C = CHRYSLER	27 = 2-DR CONVERTIBLE	EDJ = 2.2L 4 Cyl Turbo Diesel Engine	DGL = 4-Speed Automatic Transmission
P = PREMIUM	Z = CHRYSLER (RHD)	44 = HATCHBACK/QUAD CAB CHASSIS LWB	EDT = 2.4L 4 Cyl DOHC 16V Turbo Engine	DD5 = 5-Speed Manual Transmission
S = SPORT			EDV = 2.4L 4 Cyl DOHC 16V HO Turbo Engine	DDD = 5-Speed HD Manual Transmission
X = SPECIAL			EDZ = 2.4L 4 Cyl DOHC 16V SMPI Engine	
			EJD = 1.6L 4 Cyl SOHC 16V SMPI	

AR = use ase required - = Non illustrated part

2006 PT

Air Distribution Ducts
Figure 24-610



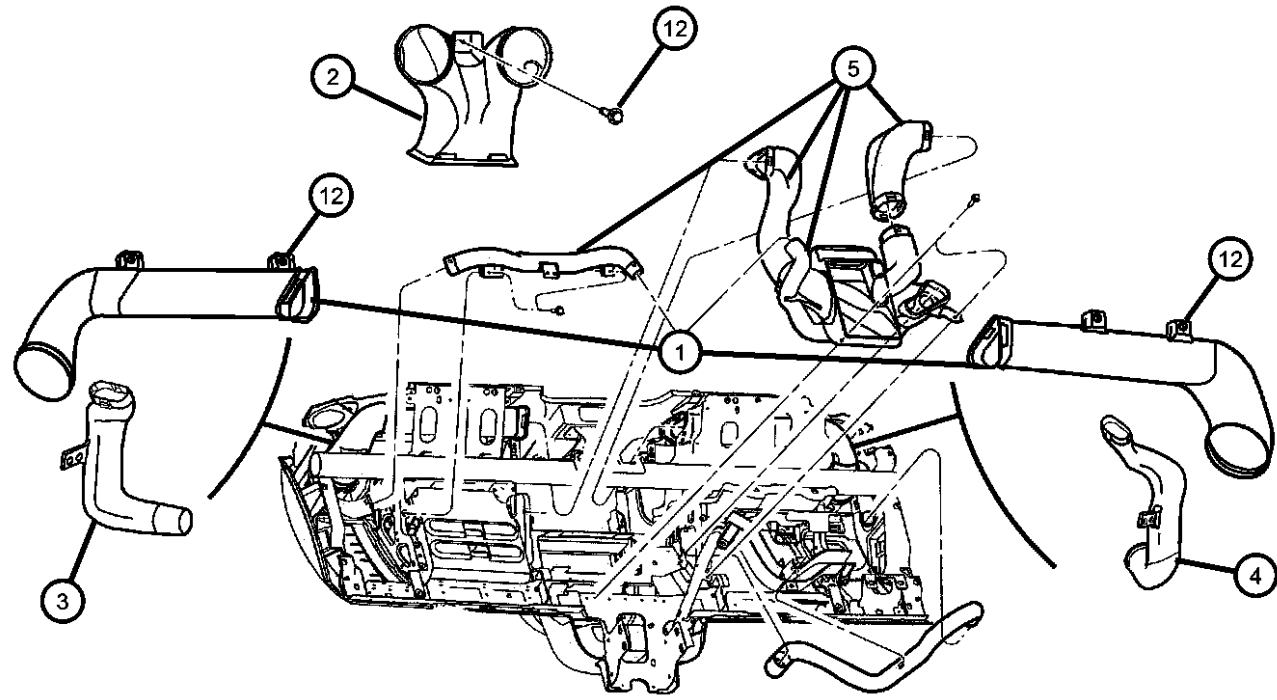
ITEM	PART NUMBER	QTY	LINE	SERIES	BODY	ENGINE	TRANS	TRIM	DESCRIPTION
NOTE: Air Conditioning and Heater Louvers are serviced in the Instrument Panel Bezels. Refer to group 8 - Illustration 105									
1	05058351AB	1	C						DUCT, Demister, Left
2	05058349AB	1	C						DUCT, Demister, Right
3	05058337AB	1	C						DUCT, Air Outlet
4	05058339AB	1	C						DUCT, Air Outlet
5	05058336AC	1	C						DUCT, Defroster
6	05291511AC	1							DUCT, Air to Rear Seat, Left
7	05058385AA	1	C						DUCT, Air to Rear Seat, Right
8	06101945	4							SCREW, M4.2 x 1.70 x 15.00
9	05058476AB	1	C						DUCT, Elbow
10	05058336AC	1	C						DUCT, Defroster
11	05179477AA	1	C						DUCT, A/C And Heater, Left
12	05179483AA	1	C						DUCT, A/C And Heater, Right
13	06104568AA	1							SCREW

PT CRUISER (PT)

SERIES	LINE	BODY	ENGINE	TRANSMISSION
H = HIGHLINE	C = CHRYSLER	27 = 2-DR CONVERTIBLE	EDJ = 2.2L 4 Cyl Turbo Diesel Engine	DGL = 4-Speed Automatic Transmission
P = PREMIUM	Z = CHRYSLER (RHD)	44 = HATCHBACK/QUAD CAB CHASSIS LWB	EDT = 2.4L 4 Cyl DOHC 16V Turbo Engine	DD5 = 5-Speed Manual Transmission
S = SPORT			EDV = 2.4L 4 Cyl DOHC 16V HO Turbo Engine	DDD = 5-Speed HD Manual Transmission
X = SPECIAL			EDZ = 2.4L 4 Cyl DOHC 16V SMPI Engine	
			EJD = 1.6L 4 Cyl SOHC 16V SMPI	

AR = use ase required - = Non illustrated part

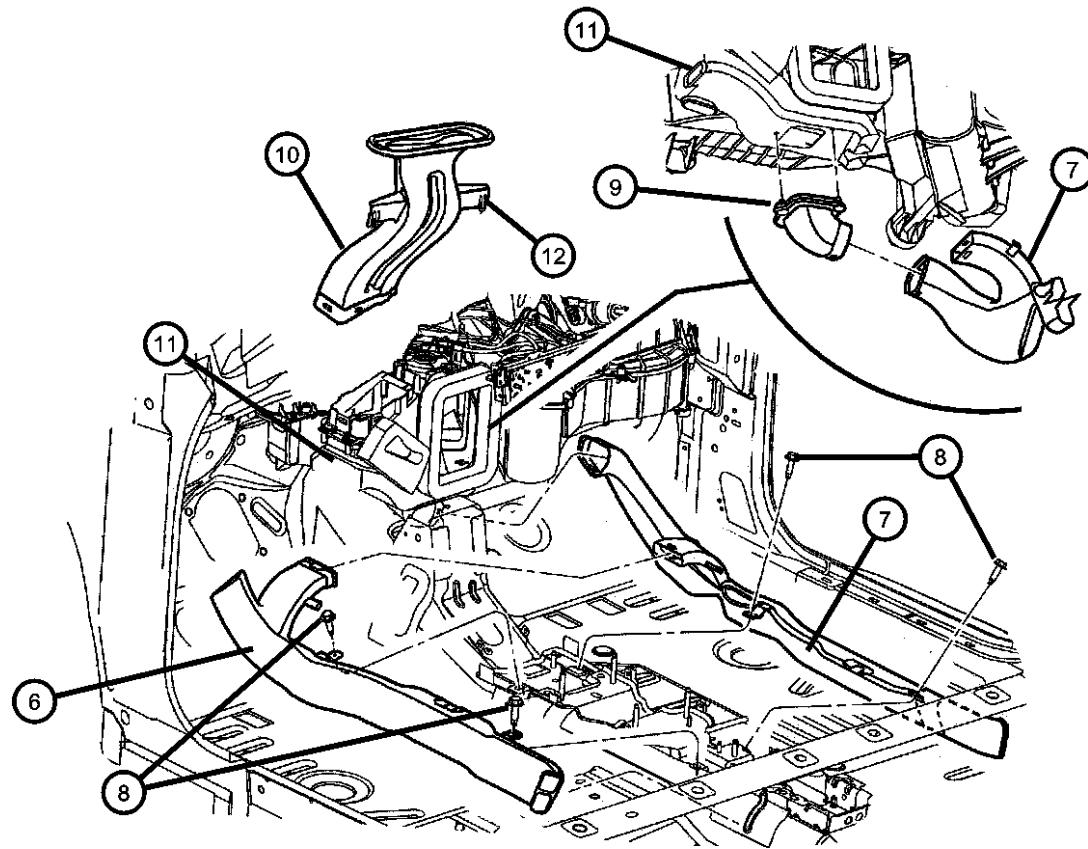
Air Distribution Ducts
Figure 24-620



ITEM	PART NUMBER	QTY	LINE	SERIES	BODY	ENGINE	TRANS	TRIM	DESCRIPTION
------	-------------	-----	------	--------	------	--------	-------	------	-------------

NOTE: Air Conditioning and Heater Louvers are serviced in the Instrument Panel Bezels. Refer to group 8 - Illustration 105

1	05058355AB	1	Z						DUCT, Air OutletCenter
2	05058360AB	1	Z						DUCT, Air Outlet
3	05058345AA	1	Z						DUCT, Demister, Left
4	05058358AA	1	Z						DUCT, Demister, Right
5	05058358AA	1							DUCT, Air Outlet Distribution, (NOT SERVICED)
6	05291511AC	1							DUCT, Air to Rear Seat, Left
7	05291510AC	1	Z						DUCT, Air to Rear Seat, Right
8	06101945	4							SCREW, M4.2 x 1.70 x 15.00
9	05291447AA	1	Z						DUCT, Elbow
10	05058341AB	1	Z						DUCT, Defroster
11	05017669AA	1	Z						DUCT, A/C And Heater, Left
12	06101946	2							SCREW, Tapping



PT CRUISER (PT)

SERIES	LINE
H = HIGHLINE	C = CHRYSLER
P = PREMIUM	Z = CHRYSLER (RHD)
S = SPORT	
X = SPECIAL	

BODY
27 = 2-DR CONVERTIBLE
44 = HATCHBACK/QUAD CAB CHASSIS LWB

ENGINE	TRANSMISSION
EDJ = 2.2L 4 Cyl Turbo Diesel Engine	DGL = 4-Speed Automatic Transmission
EDT = 2.4L 4 Cyl DOHC 16V Turbo Engine	DD5 = 5-Speed Manual Transmission
EDV = 2.4L 4 Cyl DOHC 16V HO Turbo Engine	DDD = 5-Speed HD Manual Transmission
EDZ = 2.4L 4 Cyl DOHC 16V SMPI Engine	
EJD = 1.6L 4 Cyl SOHC 16V SMPI	

AR = use ase required - = Non illustrated part

Group - 25

Emission Systems

Group - 25 Emission Systems

Illustration Title

Group-Fig. No.

EGR System

EGR System.....Fig. 25 - 201

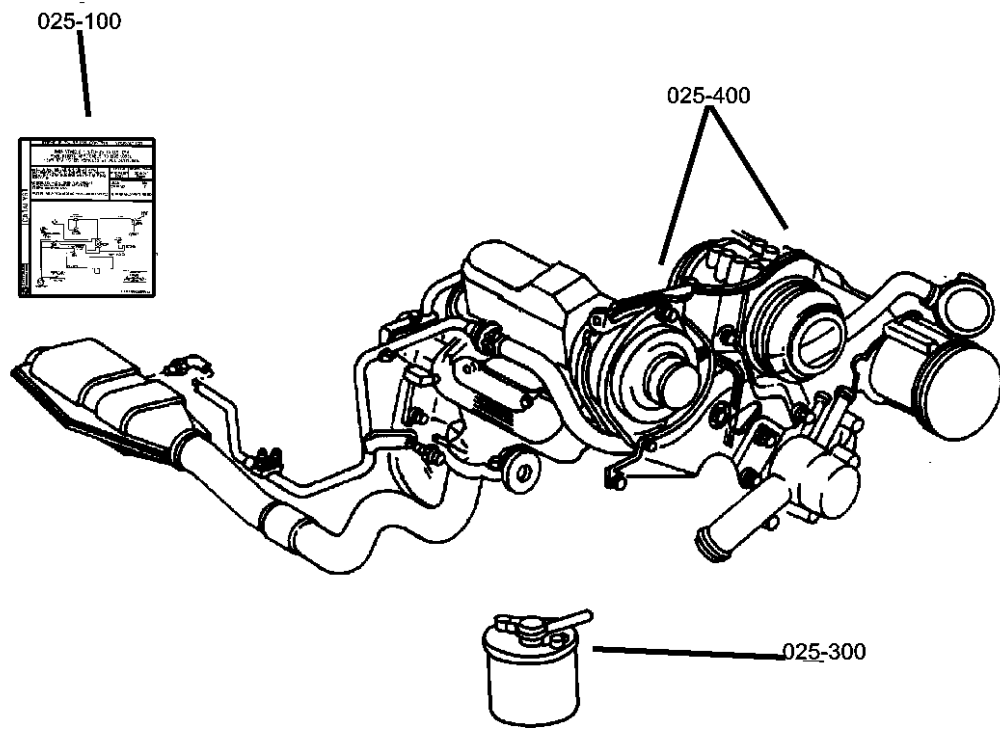
Vacuum Canister

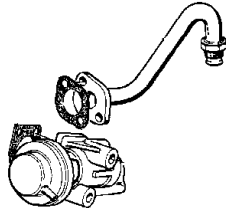

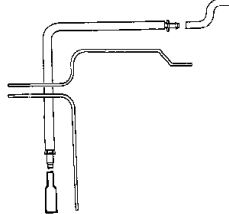
Vapor Canister and Leak Detection PumpFig. 25 - 310

Emission Harness

Emission Control Vacuum Harness [EDZ,EJD]Fig. 25 - 410

Emission Control Vacuum Harness [EDT,EDV].....Fig. 25 - 420



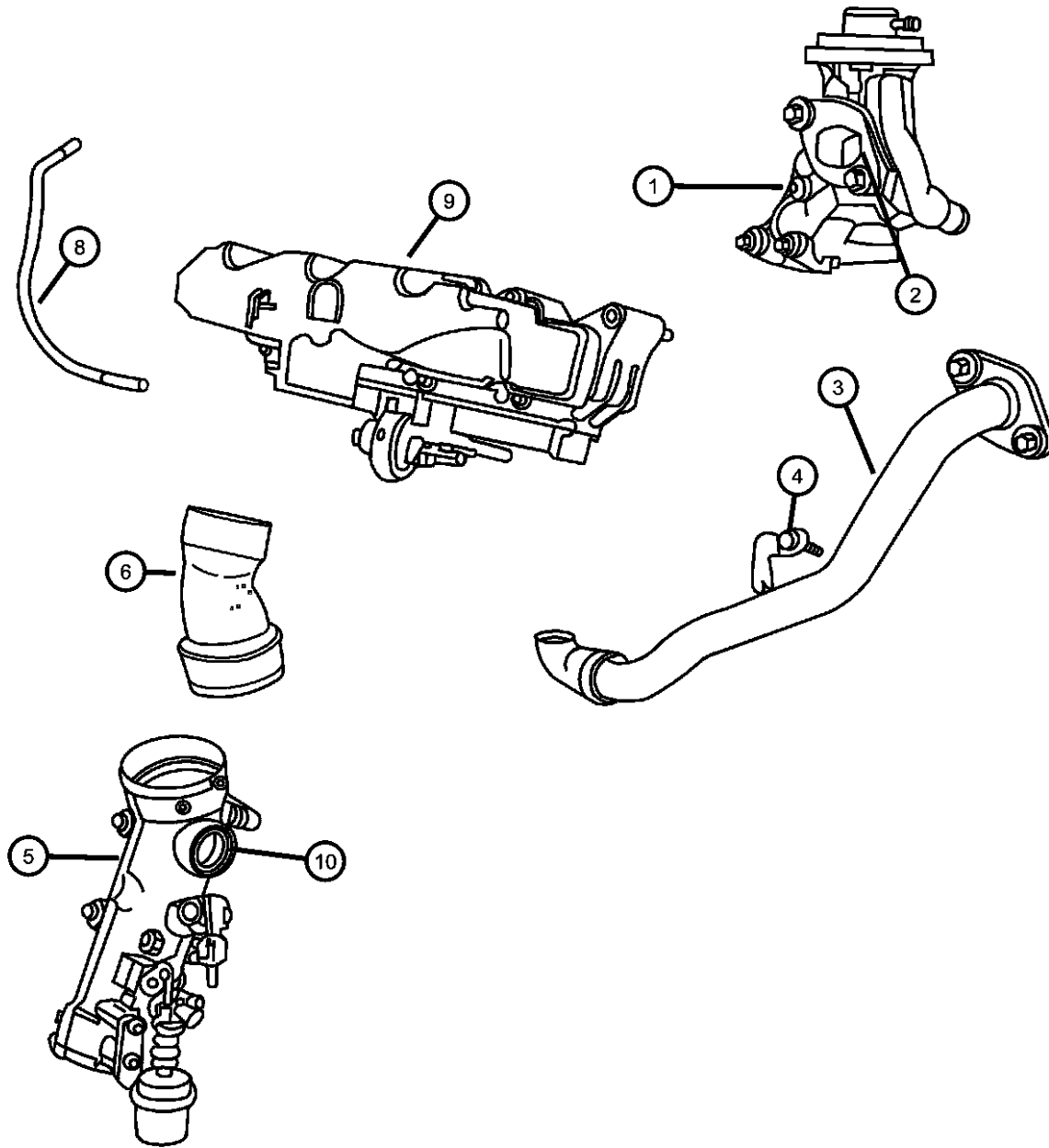
<p>025-200 EGR System</p> 	<p>025-300 Vacuum Canister</p> 	<p>025-400 Emission Harness</p> 	
--	---	---	--

**EGR System
Figure 25-201**

ITEM	PART NUMBER	QTY	LINE	SERIES	BODY	ENGINE	TRANS	TRIM	DESCRIPTION
------	-------------	-----	------	--------	------	--------	-------	------	-------------

NOTES: Sales Code
[EDJ] = 2.2L 4 Cylinder Turbo Diesel Engine

1	05080395AB	1				EDJ			VALVE, EGR
2	05080405AA	1				EDJ			GASKET
3	05083378AA	1				EDJ			TUBE, EGR
4	05083378AA	1							SCREW, Hex Flange Head, [M8x1.25x80], (NOT SERVICED)
5	05080417AB	1				EDJ			CASE
6	04862664AA	1	C, Z		44	EDJ	DDD		HOSE
-7	05080427AA	2				EDJ			SPRING
8	05080390AB	1				EDJ			HOSE
9	05080390AB	1							MANIFOLD, Intake, See Engine Group, (NOT SERVICED)
10	05080452AA	1				EDJ			O RING



PT CRUISER (PT)

SERIES LINE
H = HIGHLINE C = CHRYSLER
P = PREMIUM Z = CHRYSLER (RHD)
S = SPORT
X = SPECIAL

BODY
27 = 2-DR CONVERTIBLE
44 = HATCHBACK/QUAD
CAB CHASSIS LWB

ENGINE
EDJ = 2.2L 4 Cyl Turbo Diesel Engine
EDT = 2.4L 4 Cyl DOHC 16V Turbo Engine
EDV = 2.4L 4 Cyl DOHC 16V HO Turbo Engine
EDZ = 2.4L 4 Cyl DOHC 16V SMPI Engine
EJD = 1.6L 4 Cyl SOHC 16V SMPI

TRANSMISSION
DGL = 4-Speed Automatic Transmission
DD5 = 5-Speed Manual Transmission
DDD = 5-Speed HD Manual Transmission

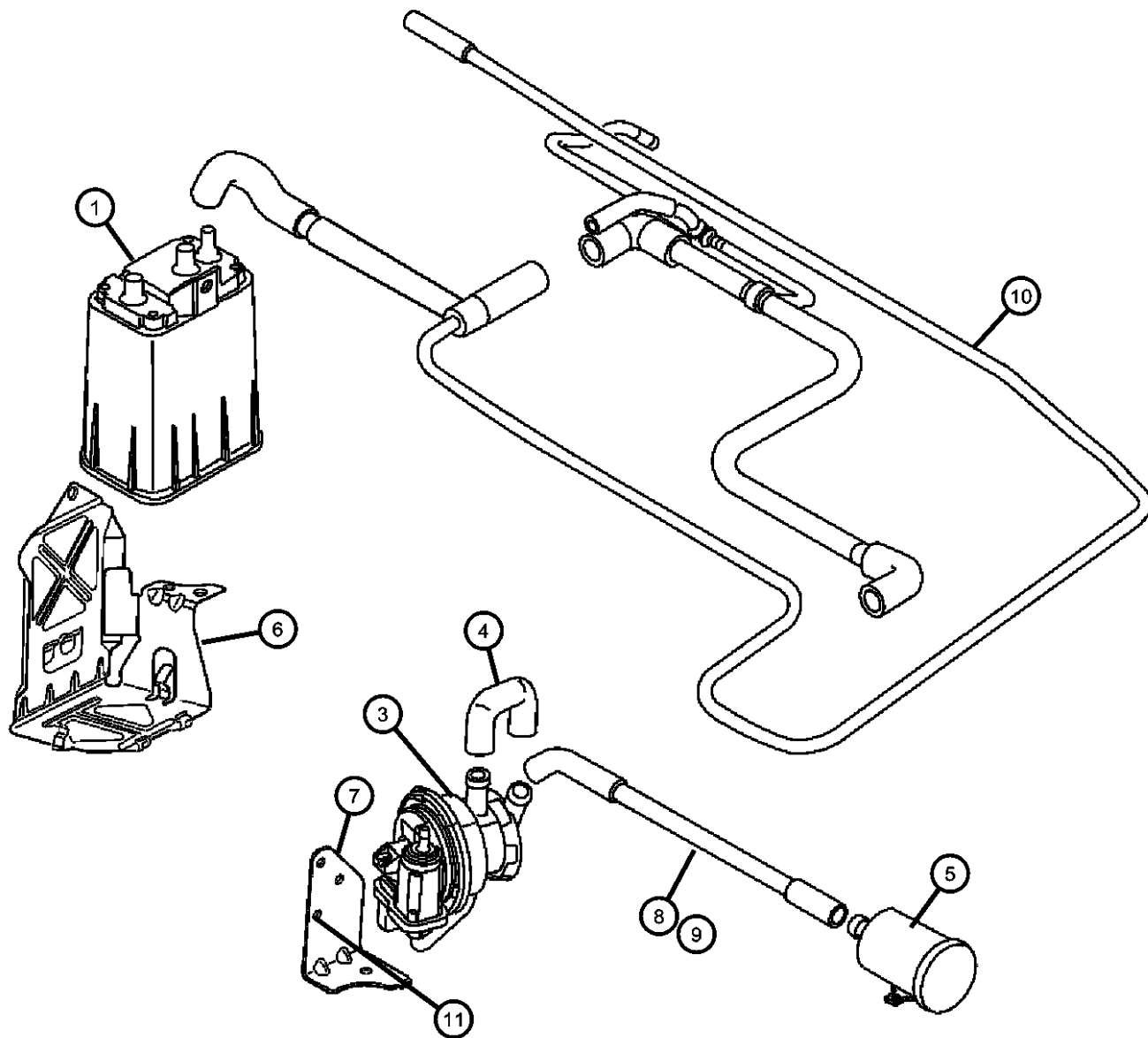
AR = use ase required - = Non illustrated part

2006 PT

Vapor Canister and Leak Detection Pump
Figure 25-310

ITEM	PART NUMBER	QTY	LINE	SERIES	BODY	ENGINE	TRANS	TRIM	DESCRIPTION
------	-------------	-----	------	--------	------	--------	-------	------	-------------

Note; Sales Codes:
[EDZ]= 2.4L 4 Cylinder DOHC 16 Valve SMPI Engine



1	04891614AA	1				EDT, EDV			CANISTER, Vapor
		1				EDZ, EJD		[NA1]	
		1				EDZ		[NAS,NAA,NAE]	
-2	04764197	1				EDT, EDV			FASTENER, Canister to Bracket
		1				EDZ			
3	04891525AB	1				EDT, EDV			DETECTOR, Natural Vacuum Leak Detection
		1				EDZ			
4	05278833AC	1				EDT, EDV			HOSE, Canister to Natural Vacuum Leak Detection
		1				EDZ			
5	05085164AA	1				EDJ			FILTER, Leak Detection Pump
		1				EDT, EDV		[NA1]	
		1				EDZ, EJD		[NA1]	
		1				EDZ			
6	05278554AB	1				EDZ, EJD			BRACKET, Vapor Canister
		1				EDZ		[NA1]	
		1				EDT, EDV			
7	05278814AD	1				EDT, EDV			BRACKET, Natural Vacuum Leak Detection
		1				EDZ			
8	05085030AA	1				EDT, EDV			TUBE, NVLD to Fuel Vapor Vent Filter
		1				EDZ			

PT CRUISER (PT)

SERIES LINE
H = HIGHLINE C = CHRYSLER
P = PREMIUM Z = CHRYSLER (RHD)
S = SPORT
X = SPECIAL

BODY
27 = 2-DR CONVERTIBLE
44 = HATCHBACK/QUAD
CAB CHASSIS LWB

ENGINE
EDJ = 2.2L 4 Cyl Turbo Diesel Engine
EDT = 2.4L 4 Cyl DOHC 16V Turbo Engine
EDV = 2.4L 4 Cyl DOHC 16V HO Turbo Engine
EDZ = 2.4L 4 Cyl DOHC 16V SMPI Engine
EJD = 1.6L 4 Cyl SOHC 16V SMPI

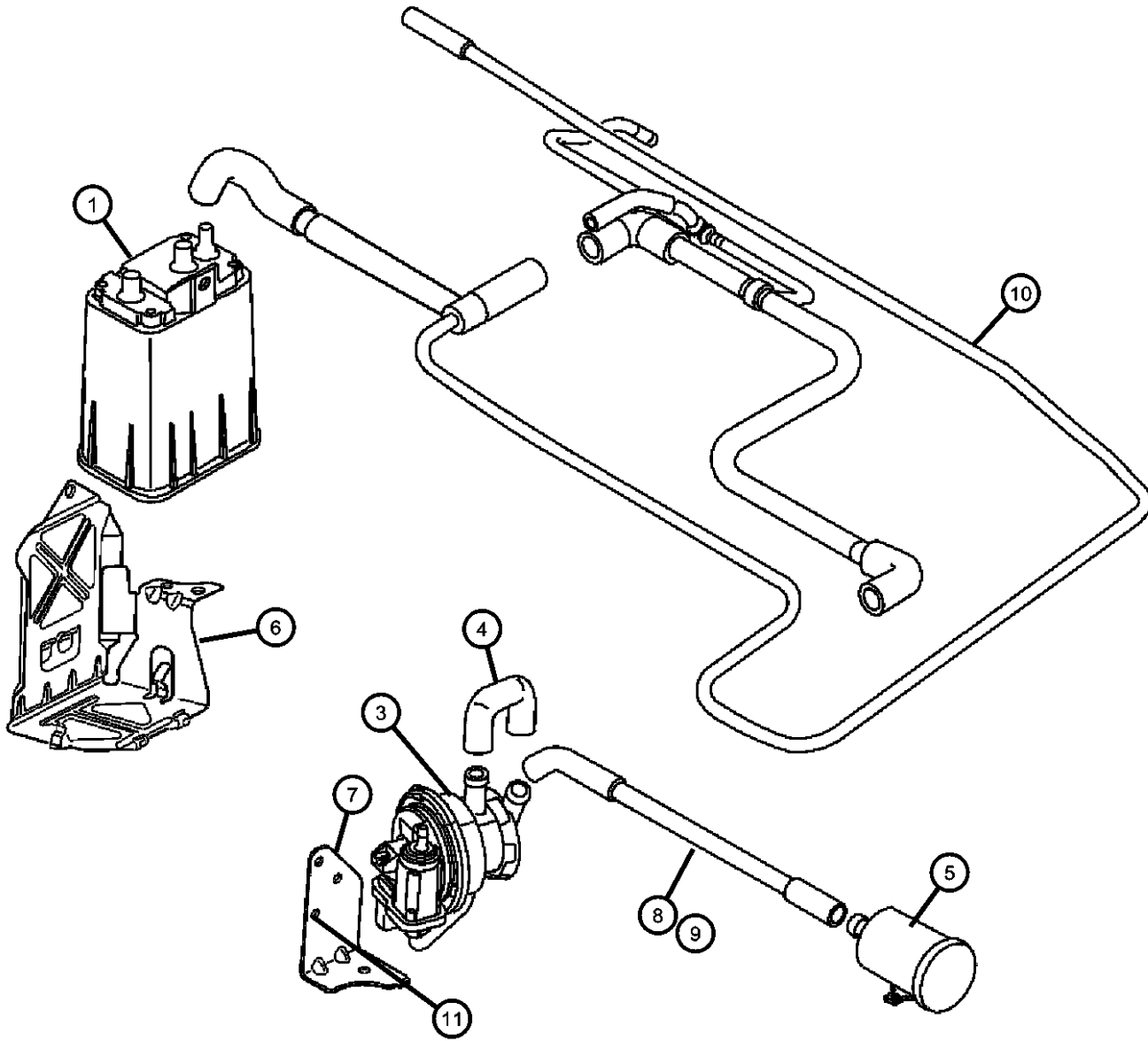
TRANSMISSION
DGL = 4-Speed Automatic Transmission
DD5 = 5-Speed Manual Transmission
DDD = 5-Speed HD Manual Transmission

AR = use ase required - = Non illustrated part

2006 PT

Vapor Canister and Leak Detection Pump
Figure 25-310

ITEM	PART NUMBER	QTY	LINE	SERIES	BODY	ENGINE	TRANS	TRIM	DESCRIPTION
9	05085034AA	1				EDZ, EJD			TUBE, Canister to Fuel Vapor Vent Filter
10	05085024AC	1				EDT, EDV			HOSE, Fuel Vapor
		1				EDZ, EJD			[NA1]
		1				EDZ			
11	06504199	1				EDT, EDV			SCREW, Hex Flange Head, M6x1x12
		1				EDZ			



PT CRUISER (PT)

SERIES LINE
H = HIGHLINE C = CHRYSLER
P = PREMIUM Z = CHRYSLER (RHD)
S = SPORT
X = SPECIAL

BODY
27 = 2-DR CONVERTIBLE
44 = HATCHBACK/QUAD
CAB CHASSIS LWB

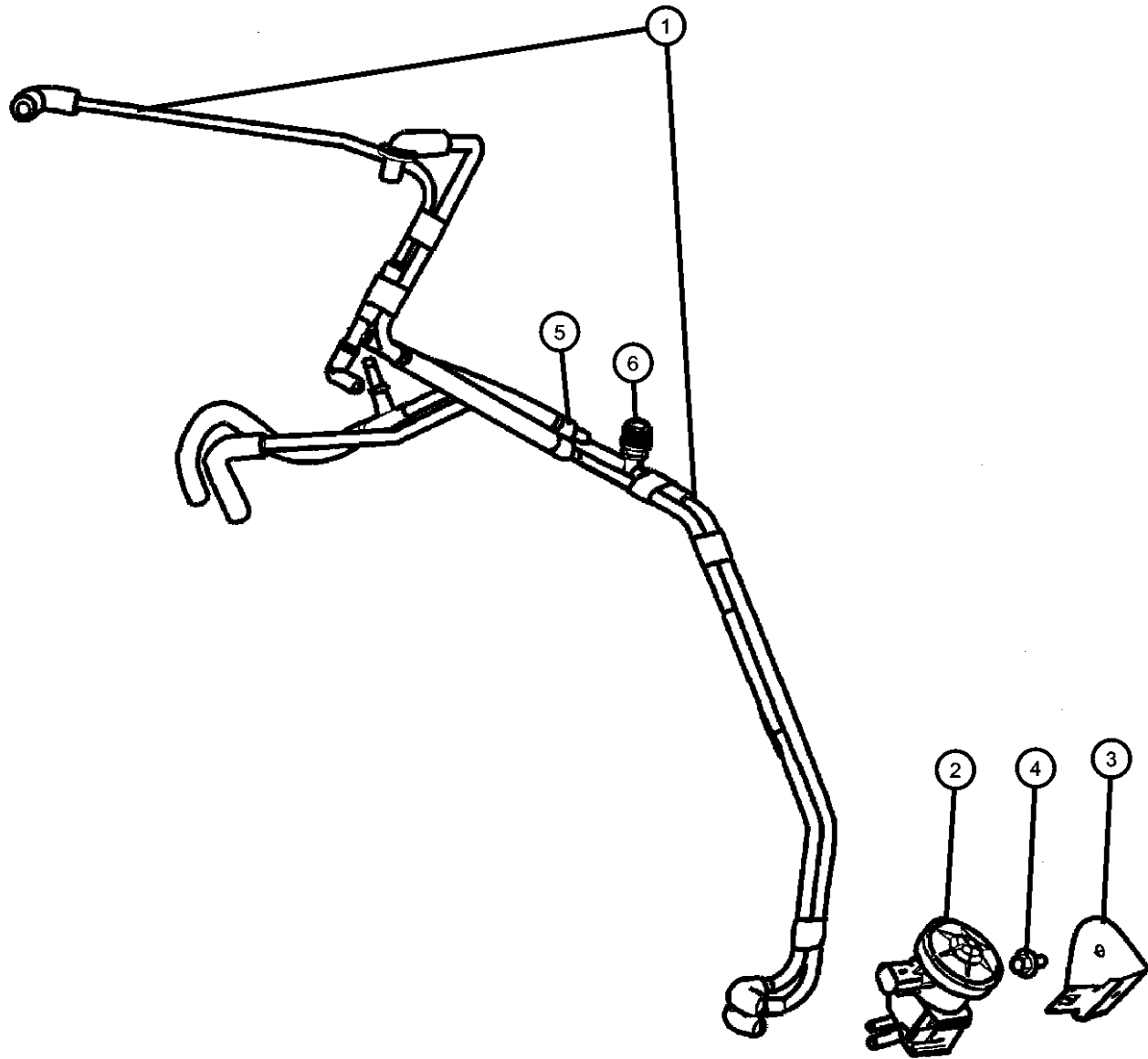
ENGINE TRANSMISSION
EDJ = 2.2L 4 Cyl Turbo Diesel Engine DGL = 4-Speed Automatic Transmission
EDT = 2.4L 4 Cyl DOHC 16V Turbo Engine DD5 = 5-Speed Manual Transmission
EDV = 2.4L 4 Cyl DOHC 16V HO Turbo Engine DDD = 5-Speed HD Manual Transmission
EDZ = 2.4L 4 Cyl DOHC 16V SMPI Engine
EJD = 1.6L 4 Cyl SOHC 16V SMPI

AR = use ase required - = Non illustrated part

2006 PT

Emission Control Vacuum Harness [EDZ,EJD]

Figure 25-410



ITEM	PART NUMBER	QTY	LINE	SERIES	BODY	ENGINE	TRANS	TRIM	DESCRIPTION
NOTE: Sales Codes; [ECC]= 2.0 4 Cylinder DOHC 16 Valve SMPI Engine [EDJ]= 2.2L 4 Cylinder Turbo Diesel Engine [EDT]= 2.4L I-4 DOHC 16 Valve Turbo Engine [EDV]= 2.4L I-4 DOHC 16 Valve High Output Turbo Engine [EDZ]=2.4L 4 Cylinder 16 Valve SMPI Engine									
1									HARNESS, Vacuum Purge
	04668818AF	1	Z			EDZ			
	04668825AE	1				EJD			
	05085037AC	1	C			EDZ			
2									SOLENOID, Proportional Purge
	04669569	1				EJD			
		1	C			EDZ			
		1	Z			EDZ			
3	04891044AB	1				EDZ, EJD			BRACKET, Proportional Purge Solenoid
4	06102132AA	1				EDZ, EJD			SCREW, Hex Head, M6x1x20
5	05080337AA	2				EDJ			CONNECTOR
6									CAP, Vacuum Port
	04669657	1	Z		44	EDZ			
		1	C			EDZ			

PT CRUISER (PT)

SERIES LINE
H = HIGHLINE C = CHRYSLER
P = PREMIUM Z = CHRYSLER (RHD)
S = SPORT
X = SPECIAL

BODY
27 = 2-DR CONVERTIBLE
44 = HATCHBACK/QUAD
CAB CHASSIS LWB

ENGINE
EDJ = 2.2L 4 Cyl Turbo Diesel Engine
EDT = 2.4L 4 Cyl DOHC 16V Turbo Engine
EDV = 2.4L 4 Cyl DOHC 16V HO Turbo Engine
EDZ = 2.4L 4 Cyl DOHC 16V SMPI Engine
EJD = 1.6L 4 Cyl SOHC 16V SMPI

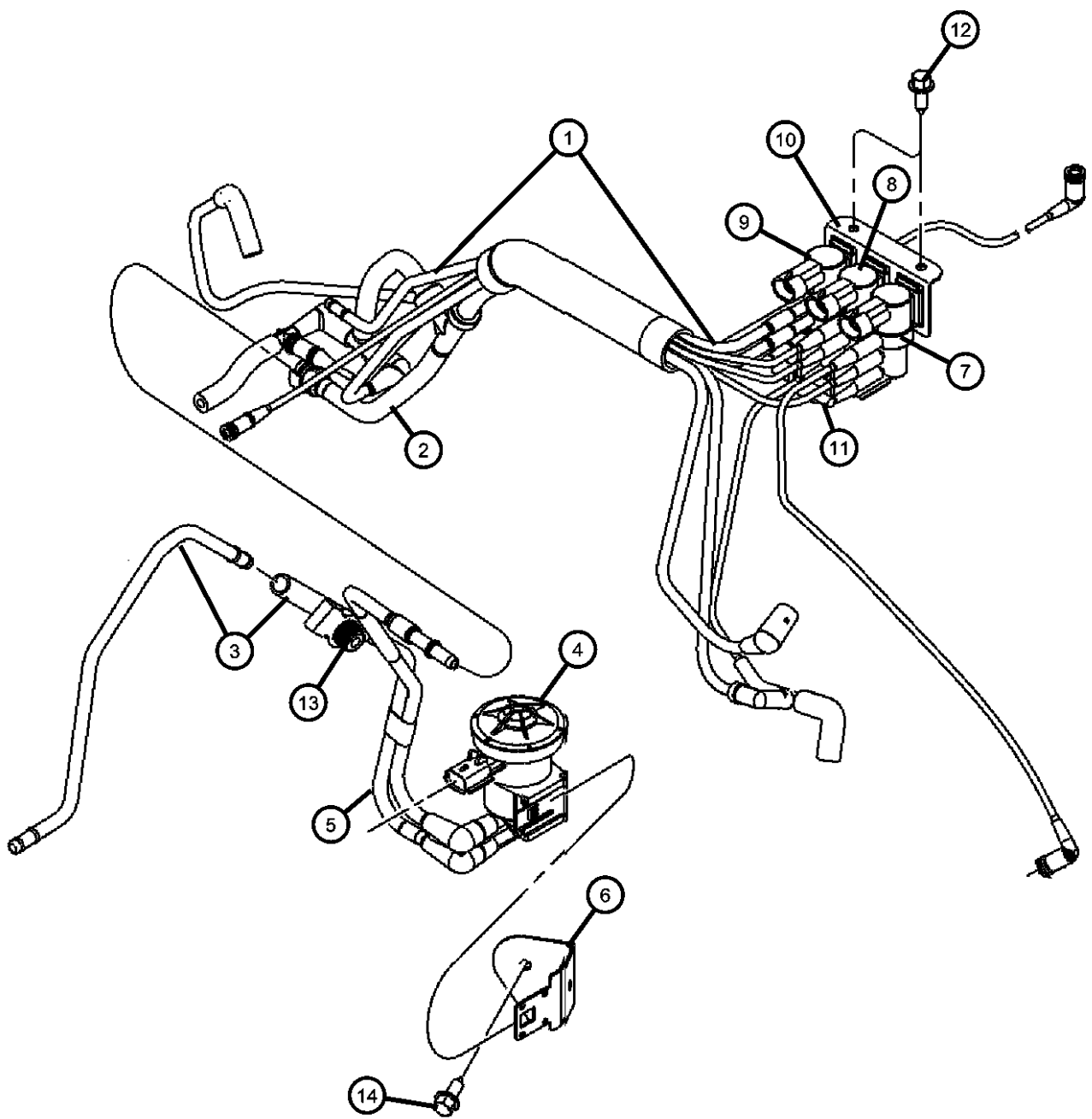
TRANSMISSION
DGL = 4-Speed Automatic Transmission
DD5 = 5-Speed Manual Transmission
DDD = 5-Speed HD Manual Transmission

AR = use ase required - = Non illustrated part

2006 PT

Emission Control Vacuum Harness [EDT,EDV]

Figure 25-420



ITEM	PART NUMBER	QTY	LINE	SERIES	BODY	ENGINE	TRANS	TRIM	DESCRIPTION
1	05135159AA	1				EDT, EDV			HARNESS, Vacuum
2	05274550AE	1				EDT, EDV			HARNESS, VacuumPurge
3	05274900AC	1				EDT, EDV			HARNESS, Vapor
4	04669569	1				EDT, EDV			SOLENOID, Proportional Purge
5	05286203AB	1				EDT, EDV			HARNESS, Vapor
6	04668852AB	1				EDT, EDV			BRACKET, Proportional Purge Solenoid
7	04606599AA	1				EDT, EDV			SOLENOID, Waste Gate
8	04606598AA	1				EDT, EDV			SOLENOID, Surge
9	04606597AA	1				EDT, EDV			SOLENOID, Baro
10	04668851AB	1				EDT, EDV			BRACKET, Solenoid
11	04458158	2				EDT, EDV			FILTER, Vacuum Solenoid
12	04458158	2							SCREW, (NOT SERVICED)
13	04591090	1				EDT, EDV			PORT, Emission Testing
14	06101826	1				EDT, EDV			SCREW, M6x1x20
-15	53030008	1				EDT, EDV			CONNECTOR, Vacuum, .25x.25x.25 Tee

PT CRUISER (PT)

SERIES LINE
 H = HIGHLINE C = CHRYSLER
 P = PREMIUM Z = CHRYSLER (RHD)
 S = SPORT
 X = SPECIAL

BODY
 27 = 2-DR CONVERTIBLE
 44 = HATCHBACK/QUAD
 CAB CHASSIS LWB

ENGINE
 EDJ = 2.2L 4 Cyl Turbo Diesel Engine
 EDT = 2.4L 4 Cyl DOHC 16V Turbo Engine
 EDV = 2.4L 4 Cyl DOHC 16V HO Turbo Engine
 EDZ = 2.4L 4 Cyl DOHC 16V SMPI Engine
 EJD = 1.6L 4 Cyl SOHC 16V SMPI

TRANSMISSION
 DGL = 4-Speed Automatic Transmission
 DD5 = 5-Speed Manual Transmission
 DDD = 5-Speed HD Manual Transmission

AR = use ase required - = Non illustrated part

Group - DPT

Doors and Related Parts

Group - DPT Doors and Related Parts

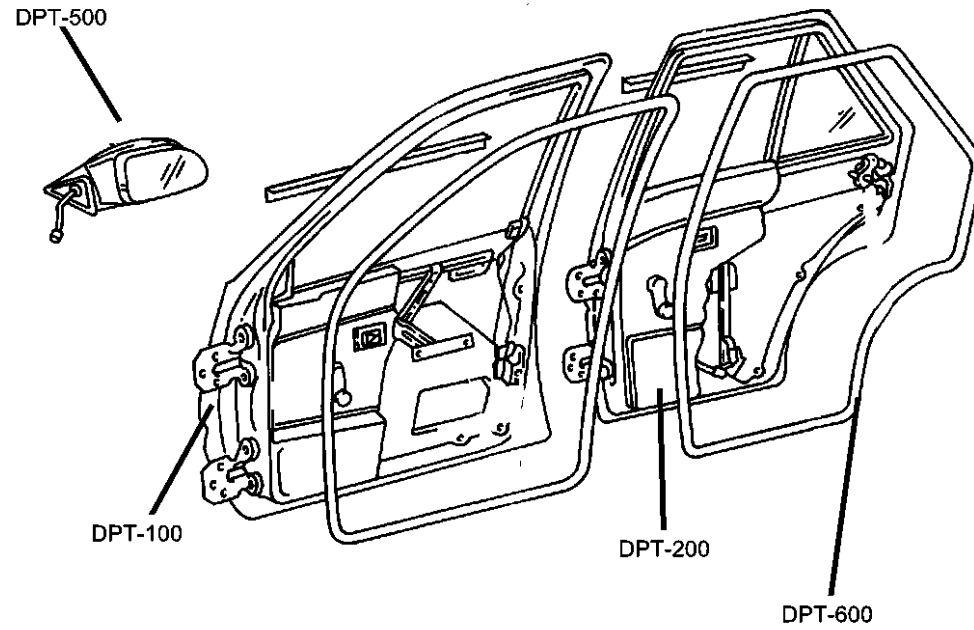


Illustration Title

Group-Fig. No.

Front Door

Door, Front.....	Fig. DPT - 110
Door, Front - 44.....	Fig. DPT - 120
Door, Front - 27.....	Fig. DPT - 130

Rear Door

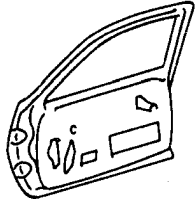
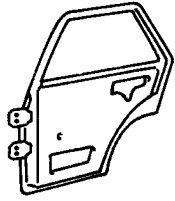
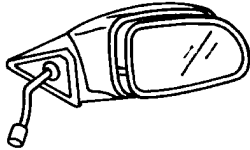
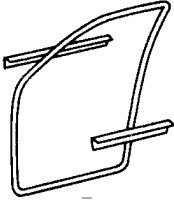
Door, Rear.....	Fig. DPT - 205
Door, Rear.....	Fig. DPT - 210

Exterior Mirror

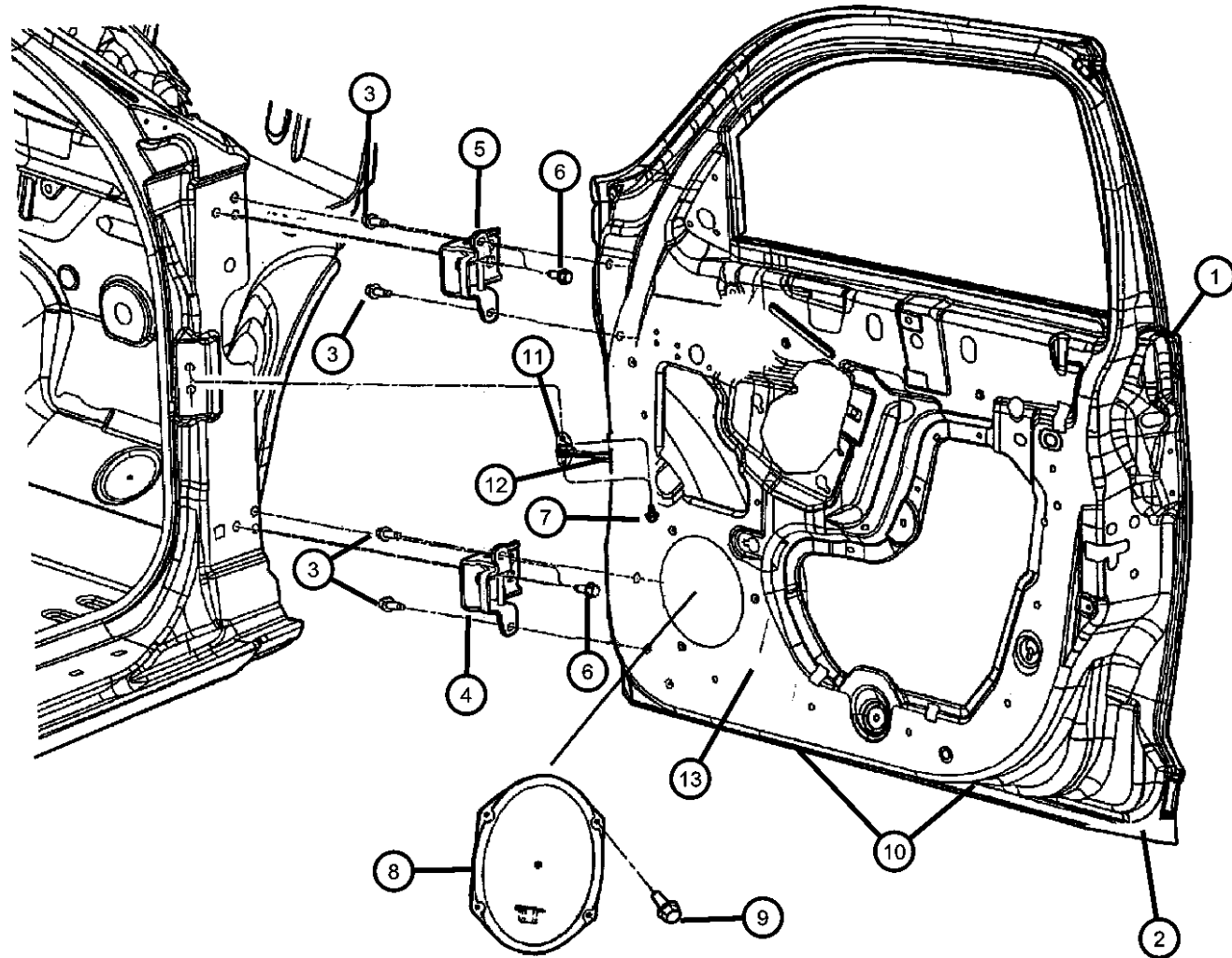
Mirrors, Exterior.....	Fig. DPT - 510
------------------------	----------------

Weatherstrips and Seals

Weatherstrips and Seals, 44-27.....	Fig. DPT - 610
Weatherstrips, Body - 27.....	Fig. DPT - 620

<p>DPT-100 Front Door</p> 	<p>DPT-200 Rear Door</p> 	<p>DPT-500 Exterior Mirror</p> 	<p>DPT-600 Weatherstrips and Seals</p> 
--	---	--	---

Door, Front
Figure DPT-110



ITEM	PART NUMBER	QTY	LINE	SERIES	BODY	ENGINE	TRANS	TRIM	DESCRIPTION
1									DOOR, Front
	05066966AD	1	Z		44				Right
		1	C		44				Without [JPH] or [GXR] or [GXP] or [GXN], Right
	05067245AE	1			27				Left
	05103390AC	1	C		44				With [JPH] or [GXR] or [GXP] or [GXN], Right
	05066967AD	1			44				Left
	05067244AE	1			27				Right
2									PANEL, Door Outer
	04724812AB	1	Z		44				Right
		1	C		44				Right
	04724813AB	1			44				Left
	05067246AB	1	C		27				Right
	05067247AB	1	C		27				Left
	05067440AA	1	C		44				[JPF] Auto Locking, Right
3	06507742AA	4			44				SCREW AND WASHER, Hex Head, M8x1.25x33
4									HINGE, Front Door
	05257974AB	2			27				Lower, Right & Left
		1			44				Lower, Right & Left
5									HINGE, Front Door
	05257975AB	2			27				Upper, Right & Left
		1			44				Upper, Right & Left
6	06505598AA	1							SCREW AND WASHER, Hex Head Pilot Point, M8x1.25x27, Hinge to Body
7	06508061AA	4							SCREW, Check Strap, M6x1x25
8	04672455AB	2							SPEAKER, Front Door
9	06101946	4							SCREW, Tapping, Speaker Mounting
10									PLUG, Body, 1.25x.50, E-Coat Drain
	02895126	4			44				
		6			27				

PT CRUISER (PT)

SERIES LINE
H = HIGHLINE C = CHRYSLER
P = PREMIUM Z = CHRYSLER (RHD)
S = SPORT
X = SPECIAL

BODY
27 = 2-DR CONVERTIBLE
44 = HATCHBACK/QUAD
CAB CHASSIS LWB

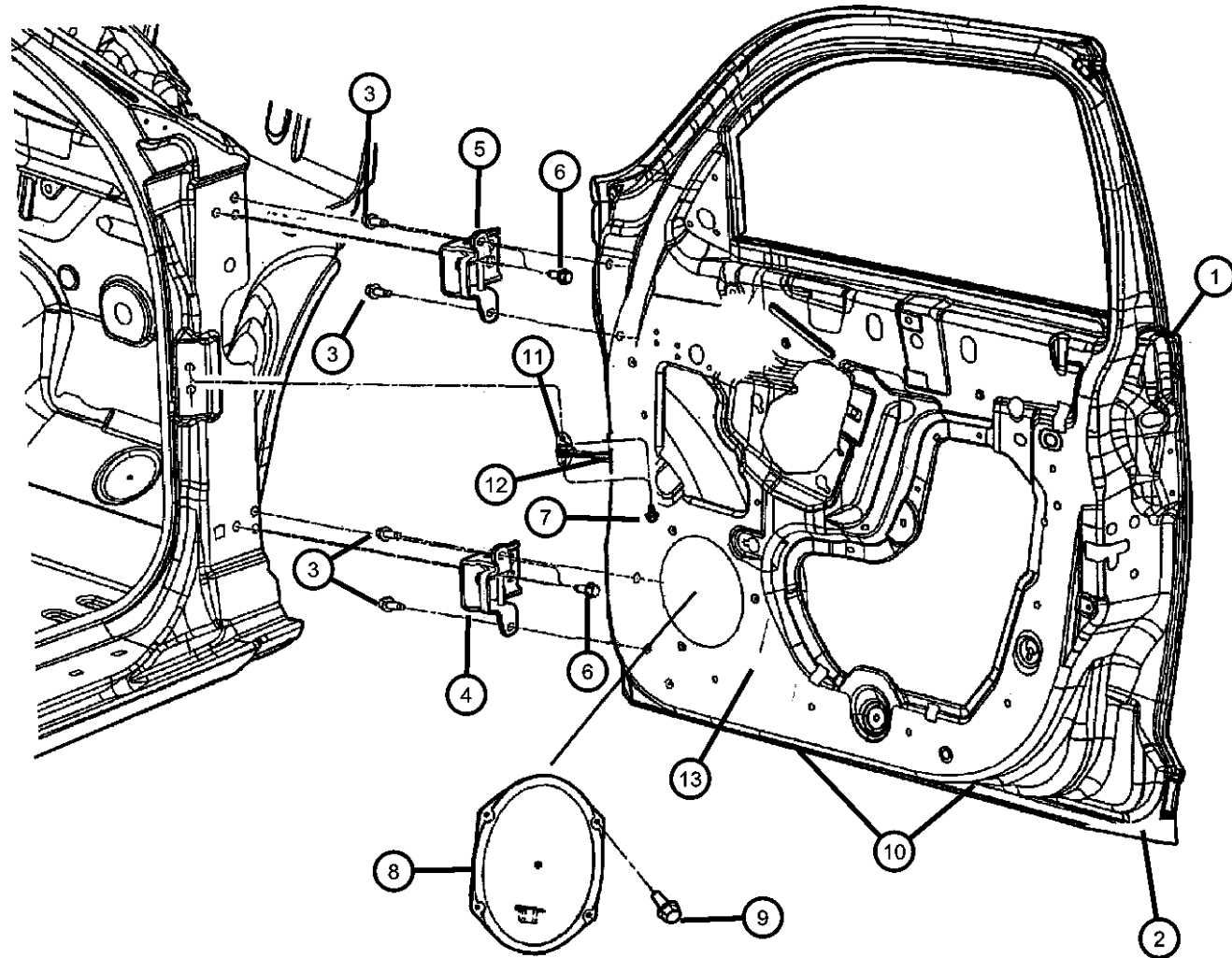
ENGINE TRANSMISSION
EDJ = 2.2L 4 Cyl Turbo Diesel Engine
EDT = 2.4L 4 Cyl DOHC 16V Turbo Engine
EDV = 2.4L 4 Cyl DOHC 16V HO Turbo Engine
EDZ = 2.4L 4 Cyl DOHC 16V SMPI Engine
EJD = 1.6L 4 Cyl SOHC 16V SMPI
DGL = 4-Speed Automatic Transmission
DD5 = 5-Speed Manual Transmission
DDD = 5-Speed HD Manual Transmission

AR = use ase required - = Non illustrated part

2006 PT

Door, Front
Figure DPT-110

ITEM	PART NUMBER	QTY	LINE	SERIES	BODY	ENGINE	TRANS	TRIM	DESCRIPTION
11									CHECK, Front Door
	04724830AC	2			44				
	05067252AB	2			27				
12	05027020AB	2							SEAL, Door Check
13									WATERDAM, Front Door
	05027192AE	1			44				Right
	05027193AE	1			44				Left



PT CRUISER (PT)

SERIES LINE
H = HIGHLINE C = CHRYSLER
P = PREMIUM Z = CHRYSLER (RHD)
S = SPORT
X = SPECIAL

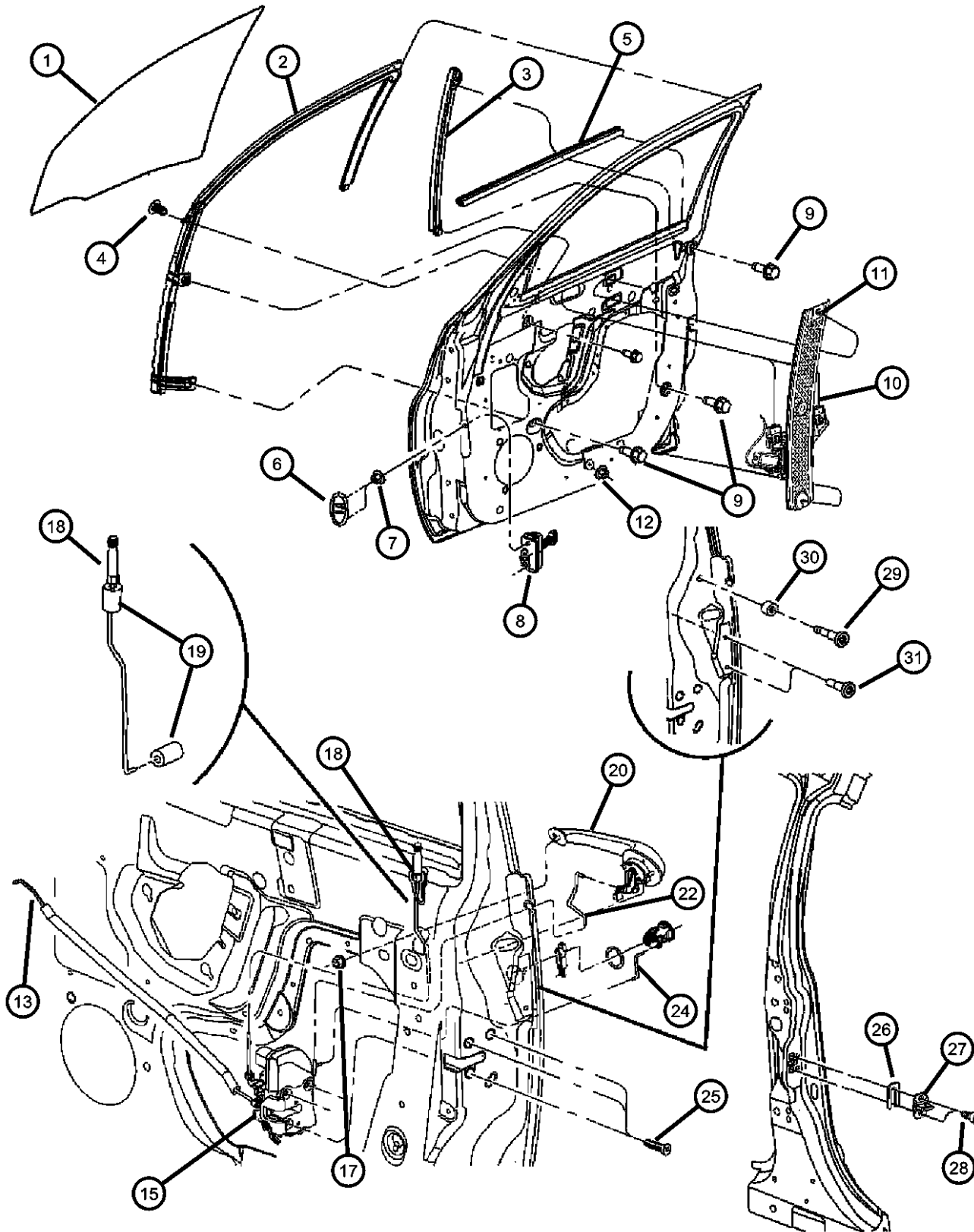
BODY
27 = 2-DR CONVERTIBLE
44 = HATCHBACK/QUAD
CAB CHASSIS LWB

ENGINE TRANSMISSION
EDJ = 2.2L 4 Cyl Turbo Diesel Engine
EDT = 2.4L 4 Cyl DOHC 16V Turbo Engine
EDV = 2.4L 4 Cyl DOHC 16V HO Turbo Engine
EDZ = 2.4L 4 Cyl DOHC 16V SMPI Engine
EJD = 1.6L 4 Cyl SOHC 16V SMPI
DGL = 4-Speed Automatic Transmission
DD5 = 5-Speed Manual Transmission
DDD = 5-Speed HD Manual Transmission

AR = use ase required - = Non illustrated part

2006 PT

Door, Front - 44
Figure DPT-120



ITEM	PART NUMBER	QTY	LINE	SERIES	BODY	ENGINE	TRANS	TRIM	DESCRIPTION
1	04724560AA	1			44				GLASS, Front Door Right
	DD09702GTN								Collision Replacement Glass
	04724561AA	1			44				Left
	DD09703GTN								Collision Replacement Glass
2	04724776AC	1			44				WEATHERSTRIP, Front Door Glass Right
	04724777AC	1			44				Left
3	05027054AC	1			44				CHANNEL, Front Door Glass Lower Right
	05027055AC	1			44				Left
4	06505818AA	2			44				PIN, Push, Run to Door
5	04724764AE	1			44				WEATHERSTRIP, Front Door Belt Inner, Right
	04724765AE	1			44				Inner, Left
	04724780AG	1			44				Outer, Right
	04724781AG	1			44				Outer, Left
6	05027020AB	2							SEAL, Door Check
7	05096978AA	4							NUT, Hex, M6
8	04724830AC	2			44				CHECK, Front Door
9	06506256AA	2			44				SCREW AND WASHER, Hex Head, M6x1x20
10	05067590AA	1			44				REGULATOR, Front Door Window Right
	05067591AA	1			44				Left
11	06102001	2							BOLT AND WASHER, M6x12
12	06101447	2			44				NUT AND WASHER, M6x1.00
13	04724640AB	1			44				LINK, Front Door Inside Remote Control to Latch Right
	04724641AB	1			44				Left

PT CRUISER (PT)

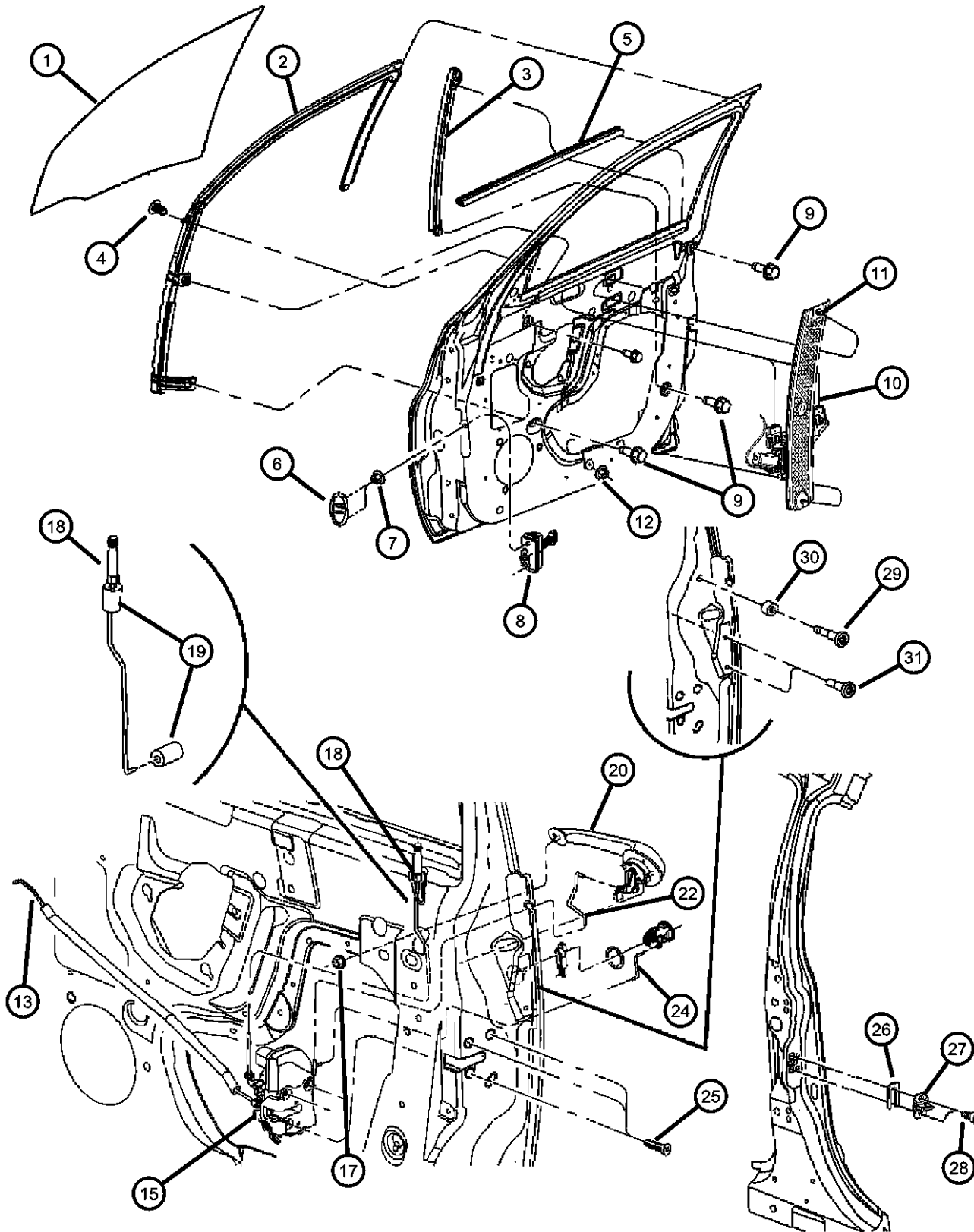
SERIES LINE
H = HIGHLINE C = CHRYSLER
P = PREMIUM Z = CHRYSLER (RHD)
S = SPORT
X = SPECIAL

BODY
27 = 2-DR CONVERTIBLE
44 = HATCHBACK/QUAD
CAB CHASSIS LWB

ENGINE TRANSMISSION
EDJ = 2.2L 4 Cyl Turbo Diesel Engine
EDT = 2.4L 4 Cyl DOHC 16V Turbo Engine
EDV = 2.4L 4 Cyl DOHC 16V HO Turbo Engine
EDZ = 2.4L 4 Cyl DOHC 16V SMPI Engine
EJD = 1.6L 4 Cyl SOHC 16V SMPI
DGL = 4-Speed Automatic Transmission
DD5 = 5-Speed Manual Transmission
DDD = 5-Speed HD Manual Transmission

AR = use ase required - = Non illustrated part

Door, Front - 44
Figure DPT-120



ITEM	PART NUMBER	QTY	LINE	SERIES	BODY	ENGINE	TRANS	TRIM	DESCRIPTION
-14	04658676	2			44				CLIP, Latch Link, White, Red - Inside Handle
15									LATCH, Front Door
	05027960AF	1			44				Power Locks EXPORT, Right
	05027961AF	1			44				Power Locks EXPORT, Left
	05067136AD	1	C		44				Speed Sensitive Locks [JPH], Right
	05067137AD	1			44				Power Locks [JPF], Left
	05067378AD	1	C		44				Power Locks, Right
-16	03760482	2							PLUG, Access Hole, Latch
17	06102398AA	4			44				NUT, Hex
18									KNOB AND PUSH ROD, Door Latch
	0RH42DKAAB	2			44				[KA]
	05067180AB	2			44				Chrome
	0RH42BDAAB	2			44				[DA]
19	05067622AA	2							ISOLATOR, FOAM, Chrome Lock Knob
20									HANDLE, Front Door Exterior
	04724912AC	1							Right
	04724913AC	1							Left
-21									HANDLE, Door Interior
	1AQ38BDAAA	1			44				[DA], Right
	1AQ38DKAAA	1			44				[KA], Right
	1AQ39BDAAA	1			44				[DA], Left
	1AQ39DKAAA	1			44				[KA], Left
22									LINK, Outside Handle To Latch, Front Door
	04724644AB	1			44				Right
	04724645AB	1			44				Left
-23									CLIP, Outside Door Handle
	04717164	1			44				Right
	04717165	1			44				Left
24									LINK, Key Cylinder To Latch

PT CRUISER (PT)

SERIES LINE
H = HIGHLINE C = CHRYSLER
P = PREMIUM Z = CHRYSLER (RHD)
S = SPORT
X = SPECIAL

BODY
27 = 2-DR CONVERTIBLE
44 = HATCHBACK/QUAD CAB CHASSIS LWB

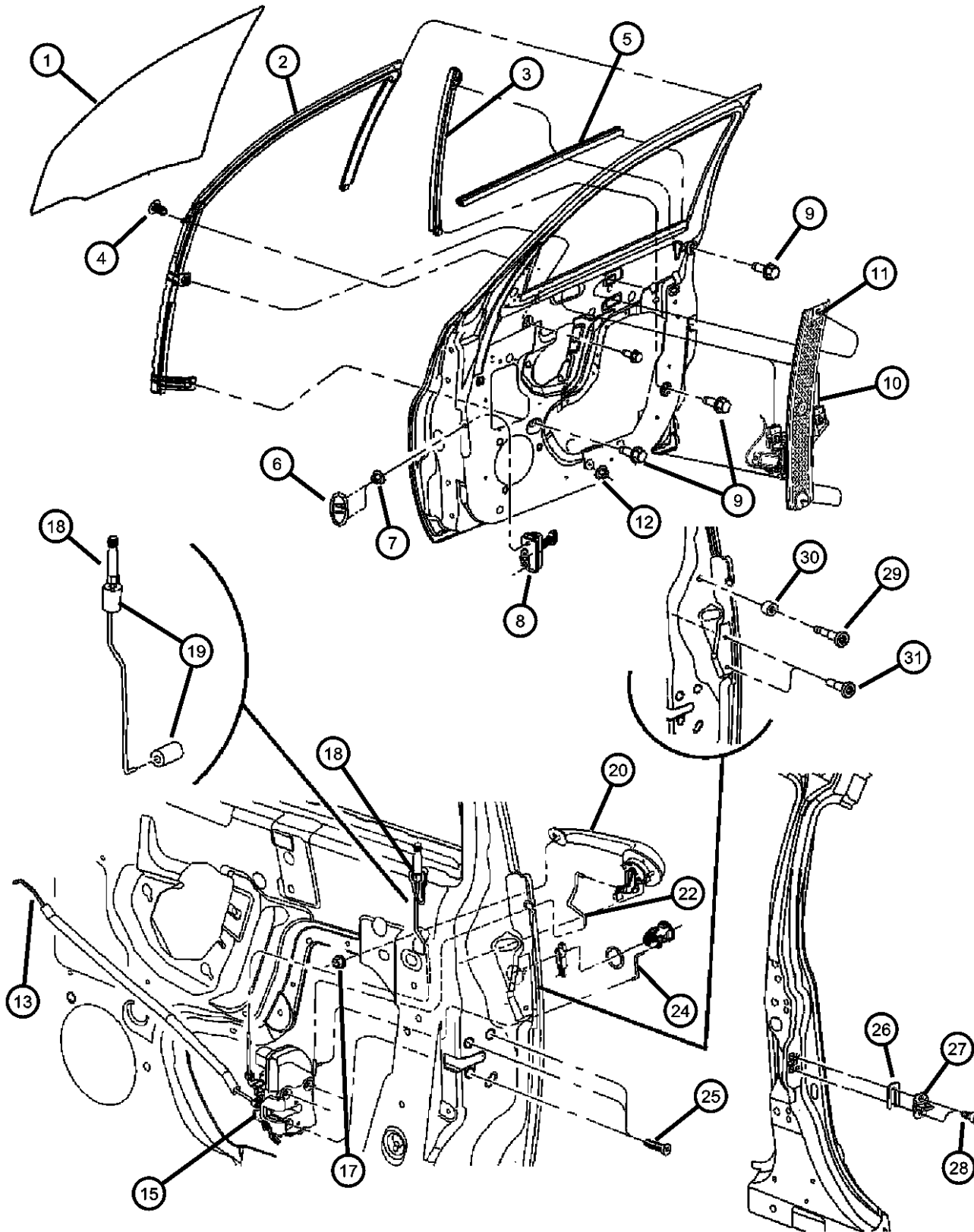
ENGINE
EDJ = 2.2L 4 Cyl Turbo Diesel Engine
EDT = 2.4L 4 Cyl DOHC 16V Turbo Engine
EDV = 2.4L 4 Cyl DOHC 16V HO Turbo Engine
EDZ = 2.4L 4 Cyl DOHC 16V SMPI Engine
EJD = 1.6L 4 Cyl SOHC 16V SMPI

TRANSMISSION
DGL = 4-Speed Automatic Transmission
DD5 = 5-Speed Manual Transmission
DDD = 5-Speed HD Manual Transmission

AR = use ase required - = Non illustrated part

2006 PT

Door, Front - 44
Figure DPT-120



ITEM	PART NUMBER	QTY	LINE	SERIES	BODY	ENGINE	TRANS	TRIM	DESCRIPTION
	04724643AA	1			44				Left
	04724642AA	1	Z						Right
25	06033876	6							SCREW, Tapping, M6.3x1.8x38.1
26									SPACER, Door Latch Striker
	04520289	AR							3.75 Thick
	55075483	AR							2.0/2.5 Thick
27	04780259	2							STRIKER, Door
28	06503120	8			44				SCREW AND WASHER, Button Head Torx
29	05067052AA	2							STRIKER, Door Impact
30	05027501AA	2							SEAL, Insulator, Striker
31									SCREW AND WASHER
	06035479	2	C		44				
		4	Z		44				

PT CRUISER (PT)

SERIES LINE
H = HIGHLINE C = CHRYSLER
P = PREMIUM Z = CHRYSLER (RHD)
S = SPORT
X = SPECIAL

BODY
27 = 2-DR CONVERTIBLE
44 = HATCHBACK/QUAD
CAB CHASSIS LWB

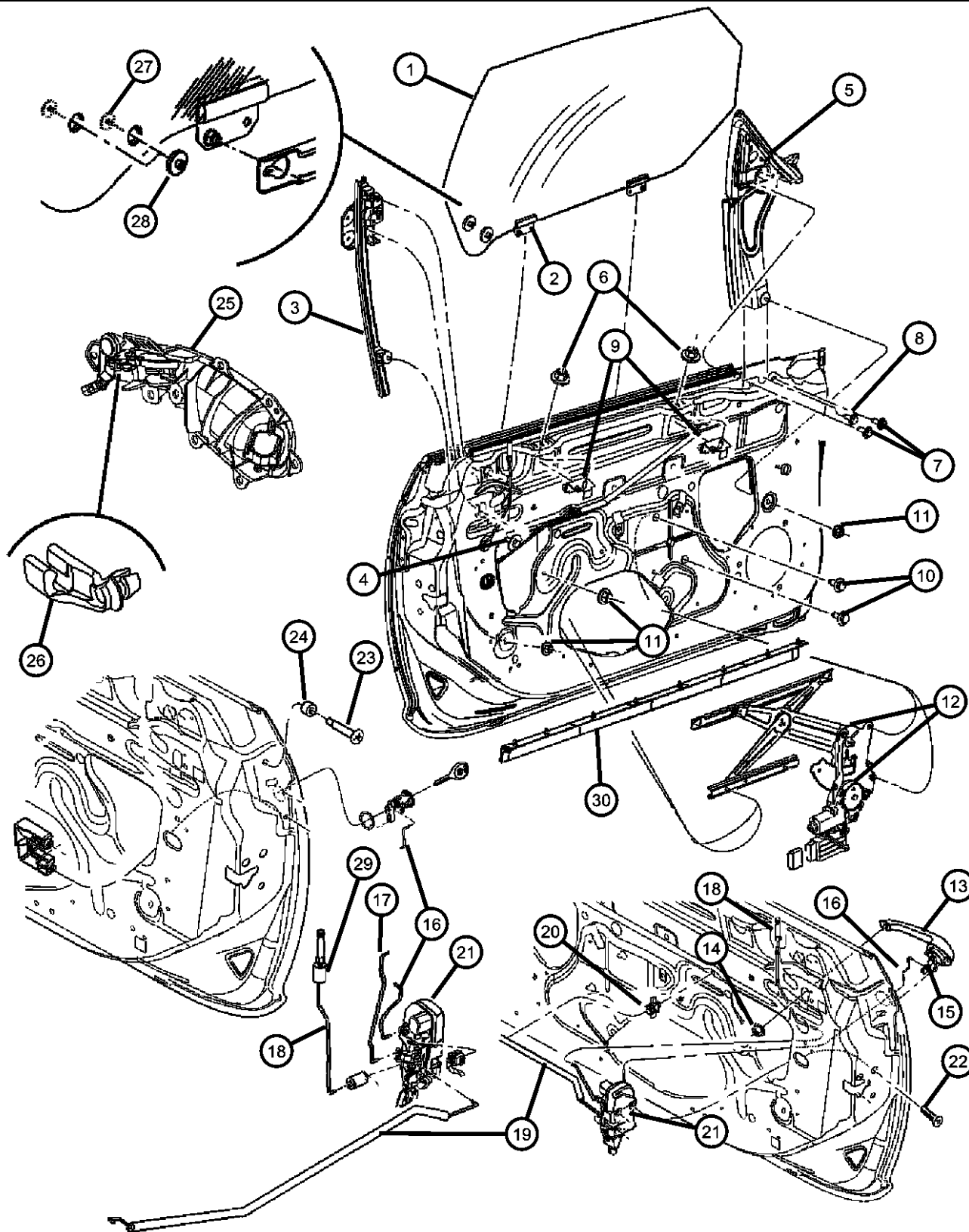
ENGINE
EDJ = 2.2L 4 Cyl Turbo Diesel Engine
EDT = 2.4L 4 Cyl DOHC 16V Turbo Engine
EDV = 2.4L 4 Cyl DOHC 16V HO Turbo Engine
EDZ = 2.4L 4 Cyl DOHC 16V SMPI Engine
EJD = 1.6L 4 Cyl SOHC 16V SMPI

TRANSMISSION
DGL = 4-Speed Automatic Transmission
DD5 = 5-Speed Manual Transmission
DDD = 5-Speed HD Manual Transmission

AR = use ase required - = Non illustrated part

2006 PT

Door, Front - 27
Figure DPT-130



ITEM	PART NUMBER	QTY	LINE	SERIES	BODY	ENGINE	TRANS	TRIM	DESCRIPTION
1	05067274AB	1			27				GLASS, Front Door, With Liftplate Right
	DD10607GTY								Collision Replacement Glass
	05067275AB	1			27				Left
	DD10608GTY								Collision Replacement Glass
2	05097674AA	1			27				NUT, Hex
3									RAIL ASSY, Door glass
	05067402AD	1			27				Right
	05067403AD	1			27				Left
4	05067403AD	1							SCREW, M6x1.0x18, (NOT SERVICED)
5									CHANNEL, Front Door Glass Lower
	05067278AD	1			27				Right
	05067279AD	1			27				Left
6	05096978AA	4							NUT, Hex, M6
7	06504016	4			27				SCREW AND WASHER, M6x20
8	06102132AA	2			27				SCREW, Hex Head, M6x1x20
9	04658734AC	4			27				STABILIZER, Door Glass Belt
10	06504055	4			27				SCREW, Hex Head, M6x1x16
11	05096978AA	2			27				NUT, Hex, M6
12									REGULATOR, Front Door Window, With Motor and Smart Module
	05067684AC	1			27				Right
	05067685AC	1			27				Left
13									HANDLE, Front Door Exterior
	04724912AC	1							Right
	04724913AC	1							Left
14	06102398AA	3			27				NUT, Hex
15									CLIP, Outside Door Handle
	04717164	1			27				Right
	04717165	1			27				Left
16	05067299AA	1			27				LINK, Key Cylinder To Latch

PT CRUISER (PT)

SERIES LINE
H = HIGHLINE C = CHRYSLER
P = PREMIUM Z = CHRYSLER (RHD)
S = SPORT
X = SPECIAL

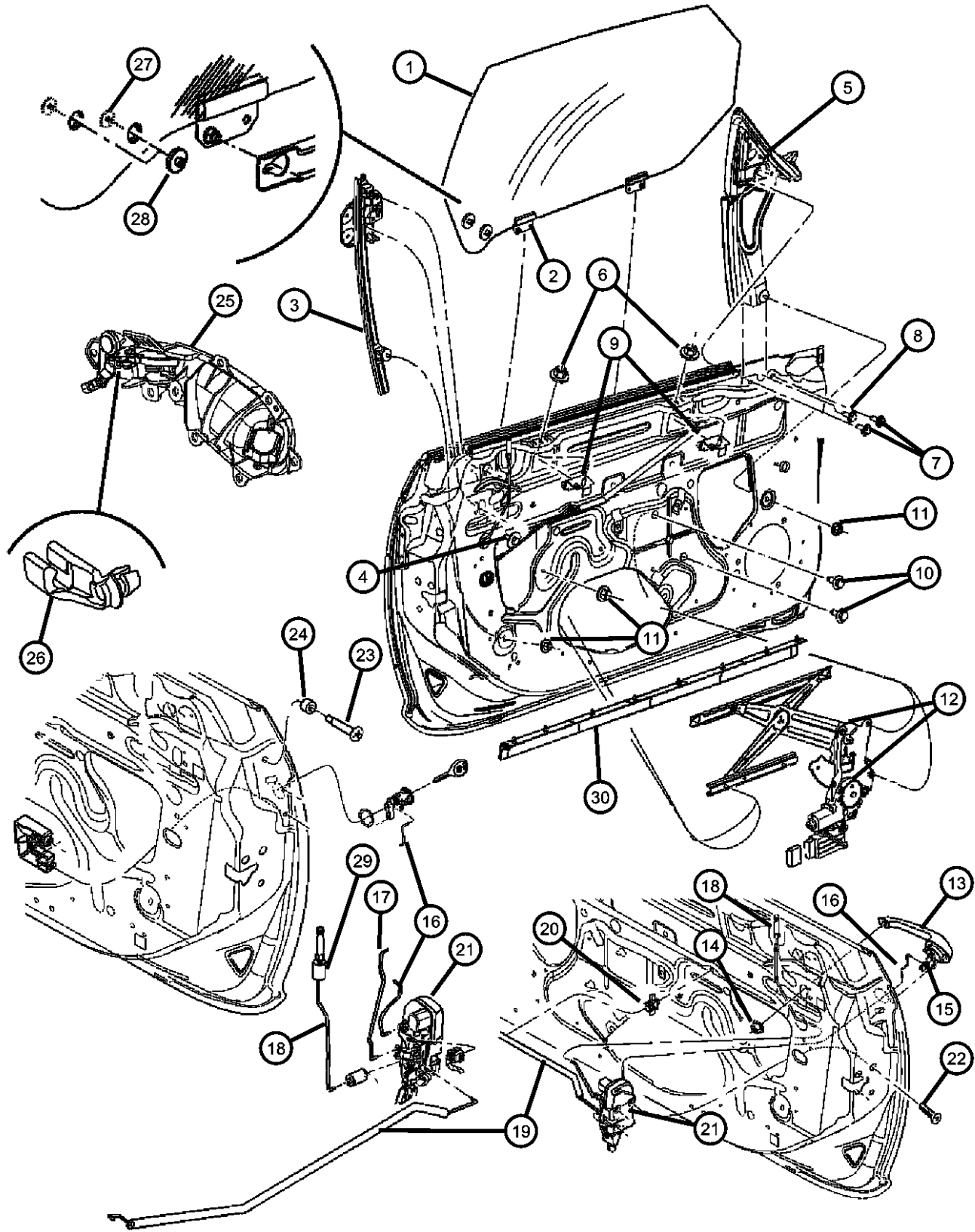
BODY
27 = 2-DR CONVERTIBLE
44 = HATCHBACK/QUAD
CAB CHASSIS LWB

ENGINE TRANSMISSION
EDJ = 2.2L 4 Cyl Turbo Diesel Engine
EDT = 2.4L 4 Cyl DOHC 16V Turbo Engine
EDV = 2.4L 4 Cyl DOHC 16V HO Turbo Engine
EDZ = 2.4L 4 Cyl DOHC 16V SMPI Engine
EJD = 1.6L 4 Cyl SOHC 16V SMPI
DGL = 4-Speed Automatic Transmission
DD5 = 5-Speed Manual Transmission
DDD = 5-Speed HD Manual Transmission

AR = use ase required - = Non illustrated part

2006 PT

Door, Front - 27
Figure DPT-130



ITEM	PART NUMBER	QTY	LINE	SERIES	BODY	ENGINE	TRANS	TRIM	DESCRIPTION
17					27				LINK, Outside Handle To Latch, Front Door
	05067300AA	1			27				Right
	05067301AA	1			27				Left
18									KNOB AND PUSH ROD, Door Latch
	05067660AA	1			27				Chrome, Right
	05067661AA	1			27				Chrome, Left
	0XD20BDAAB	1			27				[DA], Right
	0XD20DKAAB	1			27				[KA], Right
	0XD21BDAAB	1			27				[DA], Left
	0XD21DKAAB	1			27				[KA], Left
19									LINK, Front Door Inside Remote Control to Latch
	05067294AB	1			27				Right
	05067295AB	1			27				Left
20	04658448AC	2			27				CLIP, Latch, Inside Remote Handle to Door Inner
21									LATCH, Front Door
	05067308AC	1			27				Right
	05067309AC	1			27				Left
22	06033876	6							SCREW, Tapping, M6.3x1.8x38.1
23	05067052AA	2							STRIKER, Door Impact
24	05027501AA	2							SEAL, Insulator
25									HANDLE, Door Interior
	0SB96BDAAD	1			27				[DA], Right
	0SB96DKAAD	1			27				[KA], Right
	0SB97BDAAD	1			27				[DA], Left
	0SB97DKAAD	1			27				[KA], Left
26	04658677	1			27				CLIP, Latch Link, Green, Inside Handle
27	04512684	4			27				RETAINER, Glass to Liftplate
28	04512685	4			27				BUSHING, Door Glass
29	05067622AA	2							ISOLATOR, FOAM

PT CRUISER (PT)

SERIES LINE
H = HIGHLINE C = CHRYSLER
P = PREMIUM Z = CHRYSLER (RHD)
S = SPORT
X = SPECIAL

BODY
27 = 2-DR CONVERTIBLE
44 = HATCHBACK/QUAD
CAB CHASSIS LWB

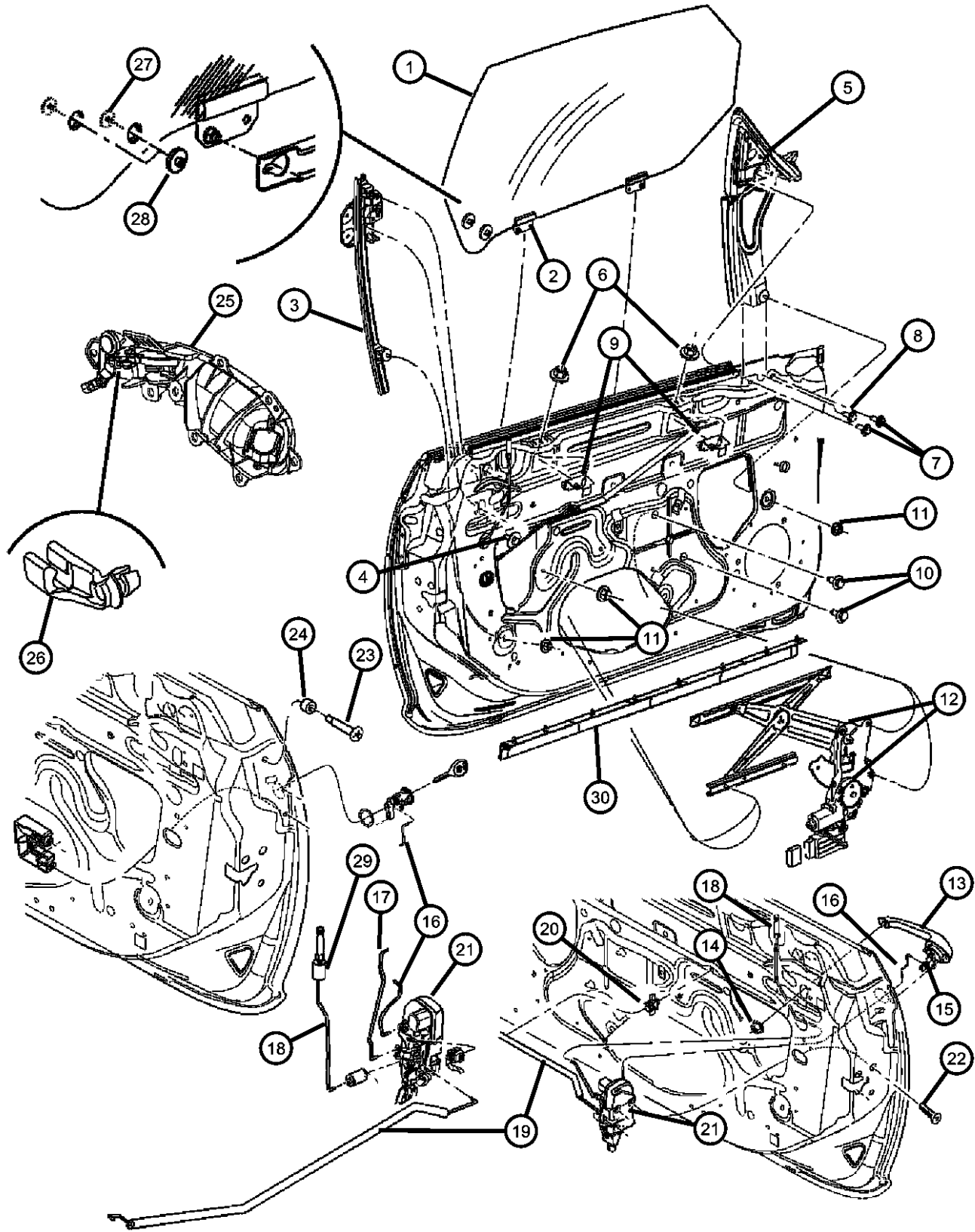
ENGINE
EDJ = 2.2L 4 Cyl Turbo Diesel Engine
EDT = 2.4L 4 Cyl DOHC 16V Turbo Engine
EDV = 2.4L 4 Cyl DOHC 16V HO Turbo Engine
EDZ = 2.4L 4 Cyl DOHC 16V SMPI Engine
EJD = 1.6L 4 Cyl SOHC 16V SMPI

TRANSMISSION
DGL = 4-Speed Automatic Transmission
DD5 = 5-Speed Manual Transmission
DDD = 5-Speed HD Manual Transmission

AR = use ase required - = Non illustrated part

2006 PT

Door, Front - 27
Figure DPT-130



ITEM	PART NUMBER	QTY	LINE	SERIES	BODY	ENGINE	TRANS	TRIM	DESCRIPTION
30	55235928AD	2			27				SEAL, Rocker
-31	04658676	1			27				CLIP, Latch Link, White

PT CRUISER (PT)

SERIES LINE
H = HIGHLINE C = CHRYSLER
P = PREMIUM Z = CHRYSLER (RHD)
S = SPORT
X = SPECIAL

BODY
27 = 2-DR CONVERTIBLE
44 = HATCHBACK/QUAD
CAB CHASSIS LWB

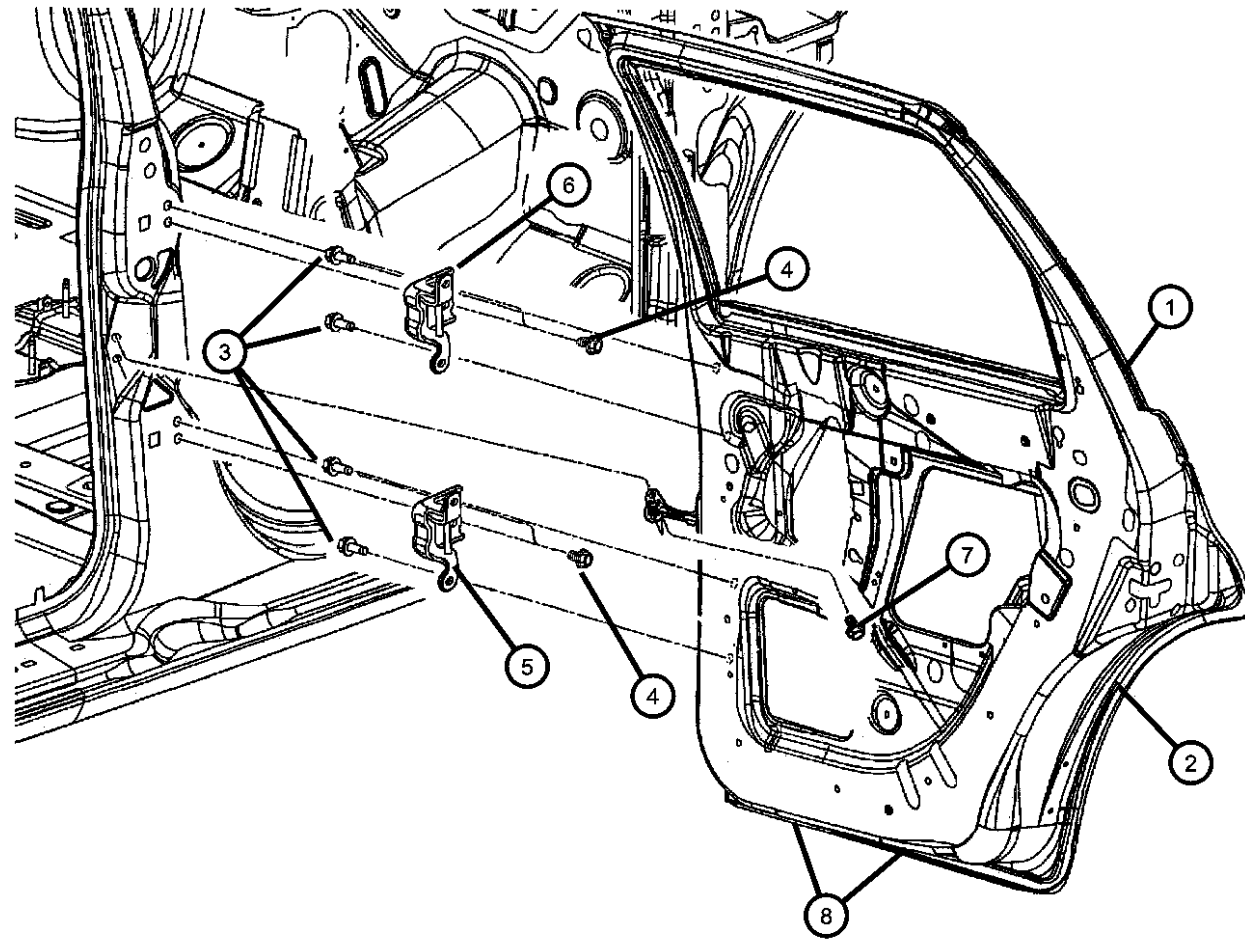
ENGINE
EDJ = 2.2L 4 Cyl Turbo Diesel Engine
EDT = 2.4L 4 Cyl DOHC 16V Turbo Engine
EDV = 2.4L 4 Cyl DOHC 16V HO Turbo Engine
EDZ = 2.4L 4 Cyl DOHC 16V SMPI Engine
EJD = 1.6L 4 Cyl SOHC 16V SMPI

TRANSMISSION
DGL = 4-Speed Automatic Transmission
DD5 = 5-Speed Manual Transmission
DDD = 5-Speed HD Manual Transmission

AR = use ase required - = Non illustrated part

2006 PT

**Door, Rear
Figure DPT-205**



ITEM	PART NUMBER	QTY	LINE	SERIES	BODY	ENGINE	TRANS	TRIM	DESCRIPTION
1									DOOR, Rear, Assembly
	05015896AE	1			44				Right
	05015897AE	1			44				Left
2									DOOR, Rear, Repair Panel
	04724834AB	1			44				Right
	04724835AB	1			44				Left
3	06507742AA	4			44				SCREW AND WASHER, Hex Head, M8x1.25x33
4	06505598AA	2			44				SCREW AND WASHER, Hex Head Pilot Point, M8x1.25x27, Hinge to Center Pillar
5	05257976AB	1			44				HINGE, Rear DoorUpper Right, Lower Left
6	05257977AB	1			44				HINGE, Rear DoorUpper Left, Lower Right
7	05257977AB	1							SCREW AND WASHER, M6x1.00x25.00, (NOT SERVICED)
8	02895126	4			44				PLUG, Body, 1.25x.50, E-Coat Drain
-9									WATERDAM, Rear Door
	05152062AA	1			44				Right
	05152063AA	1			44				Left

PT CRUISER (PT)

SERIES LINE
H = HIGHLINE C = CHRYSLER
P = PREMIUM Z = CHRYSLER (RHD)
S = SPORT
X = SPECIAL

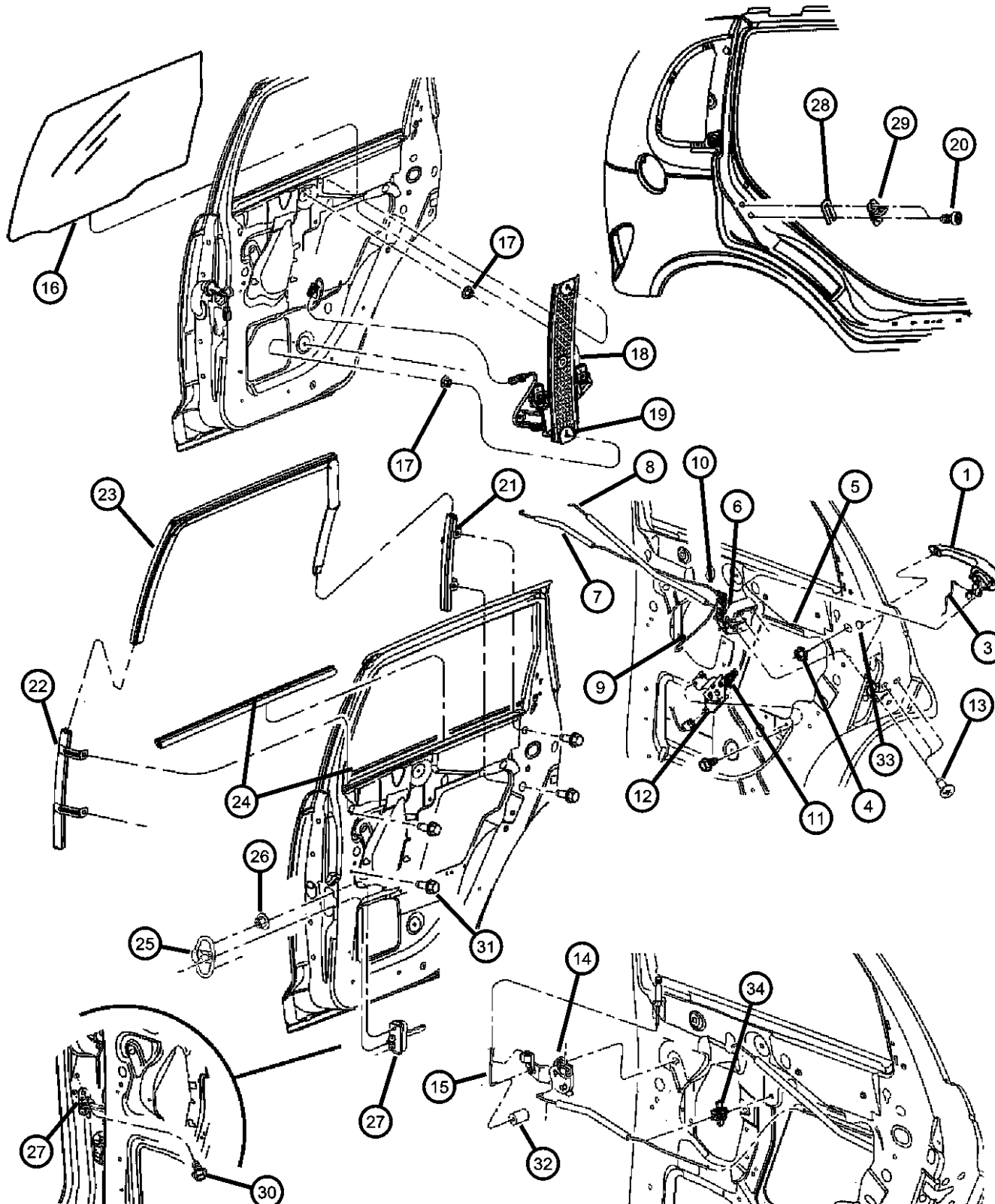
BODY
27 = 2-DR CONVERTIBLE
44 = HATCHBACK/QUAD
CAB CHASSIS LWB

ENGINE TRANSMISSION
EDJ = 2.2L 4 Cyl Turbo Diesel Engine
EDT = 2.4L 4 Cyl DOHC 16V Turbo Engine
EDV = 2.4L 4 Cyl DOHC 16V HO Turbo Engine
EDZ = 2.4L 4 Cyl DOHC 16V SMPI Engine
EJD = 1.6L 4 Cyl SOHC 16V SMPI
DGL = 4-Speed Automatic Transmission
DD5 = 5-Speed Manual Transmission
DDD = 5-Speed HD Manual Transmission

AR = use ase required - = Non illustrated part

2006 PT

Door, Rear
Figure DPT-210



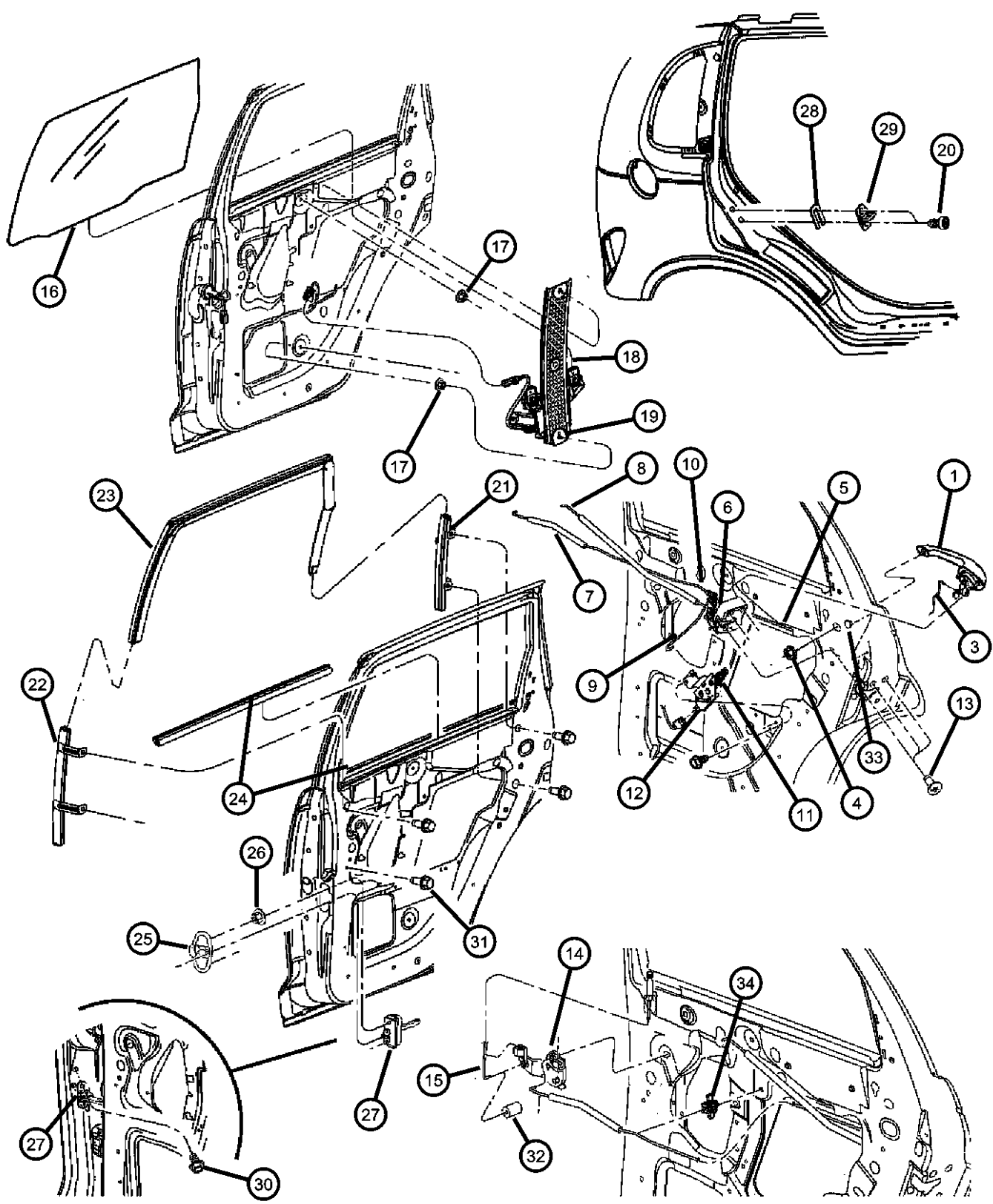
ITEM	PART NUMBER	QTY	LINE	SERIES	BODY	ENGINE	TRANS	TRIM	DESCRIPTION
1	04724914AD	1			44				HANDLE, Rear Door Exterior Right
	04724915AD	1			44				Left
-2	1AQ40BDAAA	1			44				HANDLE, Door Interior [DA], Right
	1AQ40DKAAA	1			44				[KA], Right
	1AQ41BDAAA	1			44				[DA], Left
	1AQ41DKAAA	1			44				[KA], Left
3	04724646AB	2			44				LINK, Outside Handle To Latch, Rear Door
4	06036204AA	2							NUT, Plastic Snap-In, For .190-16 Screw, Handle attach
5	06102398AA	4							NUT, Hex
6	05027074AD	1			44				LATCH, Rear Door Right
	05027075AD	1			44				Left
7	04724650AA	1			44				LINK AND SLEEVE, Rear Door Inside Remote to Latch Right
	04724651AA	1			44				Left
8	04724648AB	1			44				LINK, Inside handle To Latch, Rear Door Right
	04724649AB	1			44				Left
9	05027180AC	1			44				LINK, Latch Actuating Right
	05027181AC	1			44				Left
10	04658448AC	2			44				CLIP, Latch
11	05067504AC	1			44				MOTOR, Door Lock, With Bracket Right
	05067505AC	1			44				Left
12	06504810AA	4			44				SCREW AND WASHER, Hex, [JPH]
13	06033876	6							SCREW, Tapping, M6.3x1.8x38.1

PT CRUISER (PT)

SERIES	LINE	BODY	ENGINE	TRANSMISSION
H = HIGHLINE	C = CHRYSLER	27 = 2-DR CONVERTIBLE	EDJ = 2.2L 4 Cyl Turbo Diesel Engine	DGL = 4-Speed Automatic Transmission
P = PREMIUM	Z = CHRYSLER (RHD)	44 = HATCHBACK/QUAD CAB CHASSIS LWB	EDT = 2.4L 4 Cyl DOHC 16V Turbo Engine	DD5 = 5-Speed Manual Transmission
S = SPORT			EDV = 2.4L 4 Cyl DOHC 16V HO Turbo Engine	DDD = 5-Speed HD Manual Transmission
X = SPECIAL			EDZ = 2.4L 4 Cyl DOHC 16V SMPI Engine	
			EJD = 1.6L 4 Cyl SOHC 16V SMPI	

AR = use ase required - = Non illustrated part

Door, Rear
Figure DPT-210



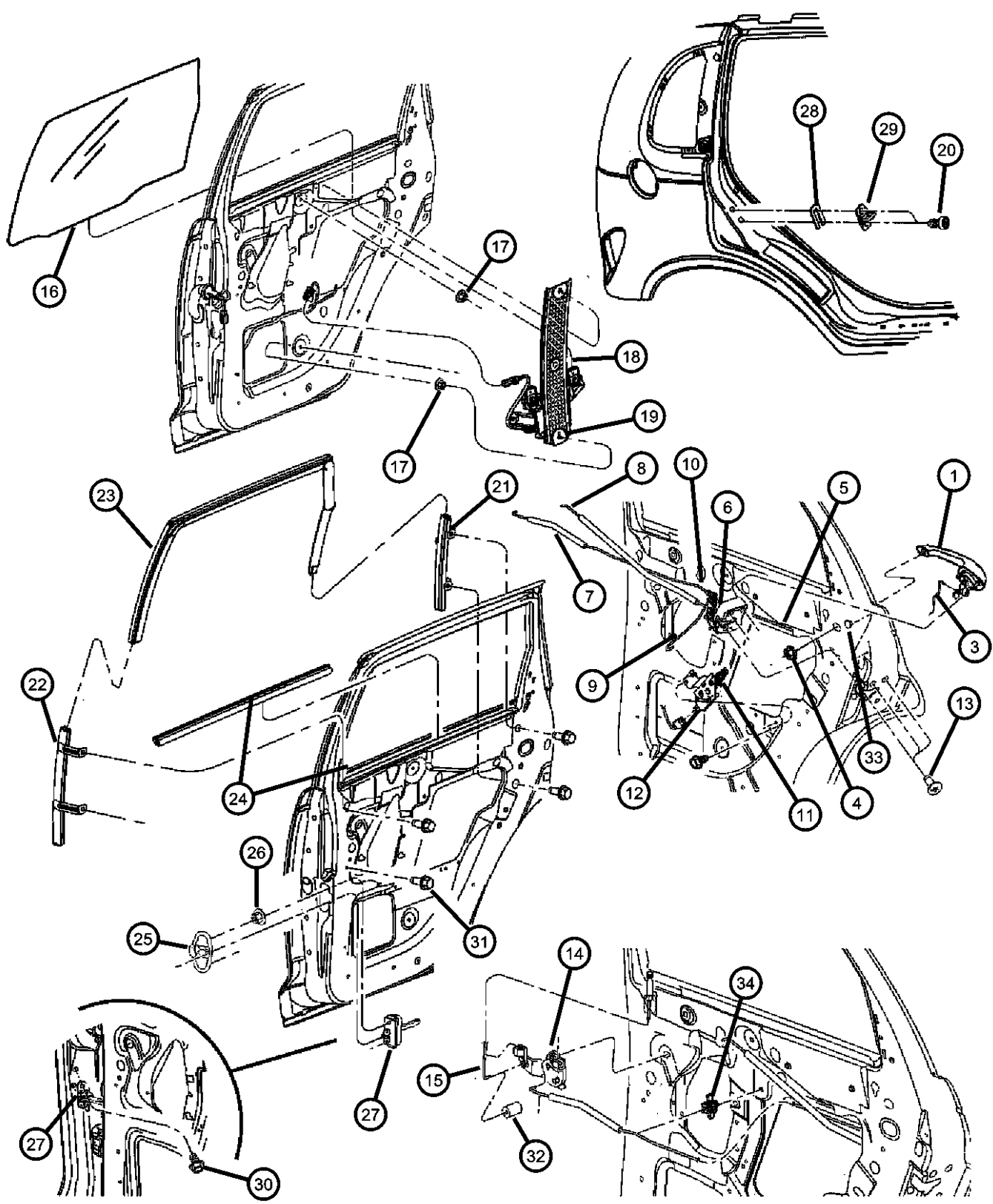
ITEM	PART NUMBER	QTY	LINE	SERIES	BODY	ENGINE	TRANS	TRIM	DESCRIPTION
14									BELLCRANK, Outside Door Handle
	55256722	1			44				Right
	55256723	1			44				Left
15									KNOB AND PUSH ROD, Door Latch
	05067182AB	2			44				Chrome
	0RH44BDAAC	2			44				[DA]
	0RH44DKAAC	2			44				[KA]
16									GLASS, Rear Door
	04724550AA	1			44				Solar [GAM], Right
	DD09704GTN								Collision Replacement Glass
	04724551AA	1			44				Solar [GAM], Left
	DD09705GTN								Collision Replacement Glass
	04724962AA	1							Sunscreen [GEG], Right
	DD09704YPN								Collision Replacement Glass
	04724963AA	1							Sunscreen [GEG], Left
	DD09705YPN								Collision Replacement Glass
17	06100047	1							NUT AND WASHER, Hex Nut-Coned Washer, M6 x 1.00
18									REGULATOR, Rear Door Window
	05067592AA	1			44				Right
	05067593AA	1			44				Left
19	06102001	2			44				BOLT AND WASHER, M6x12
20	06503120	8			44				SCREW AND WASHER, Button Head Torx
21									CHANNEL, Rear Door Glass Lower, Rear
	05027344AC	1			44				Right Rear
	05027345AC	1			44				Left Rear
22									CHANNEL, Rear Door Glass Lower, Front
	05027056AC	1			44				Right Front
	05027057AC	1			44				Left Front

PT CRUISER (PT)

SERIES	LINE	BODY	ENGINE	TRANSMISSION
H = HIGHLINE	C = CHRYSLER	27 = 2-DR CONVERTIBLE	EDJ = 2.2L 4 Cyl Turbo Diesel Engine	DGL = 4-Speed Automatic Transmission
P = PREMIUM	Z = CHRYSLER (RHD)	44 = HATCHBACK/QUAD CAB CHASSIS LWB	EDT = 2.4L 4 Cyl DOHC 16V Turbo Engine	DD5 = 5-Speed Manual Transmission
S = SPORT			EDV = 2.4L 4 Cyl DOHC 16V HO Turbo Engine	DDD = 5-Speed HD Manual Transmission
X = SPECIAL			EDZ = 2.4L 4 Cyl DOHC 16V SMPI Engine	
			EJD = 1.6L 4 Cyl SOHC 16V SMPI	

AR = use ase required - = Non illustrated part

Door, Rear
Figure DPT-210



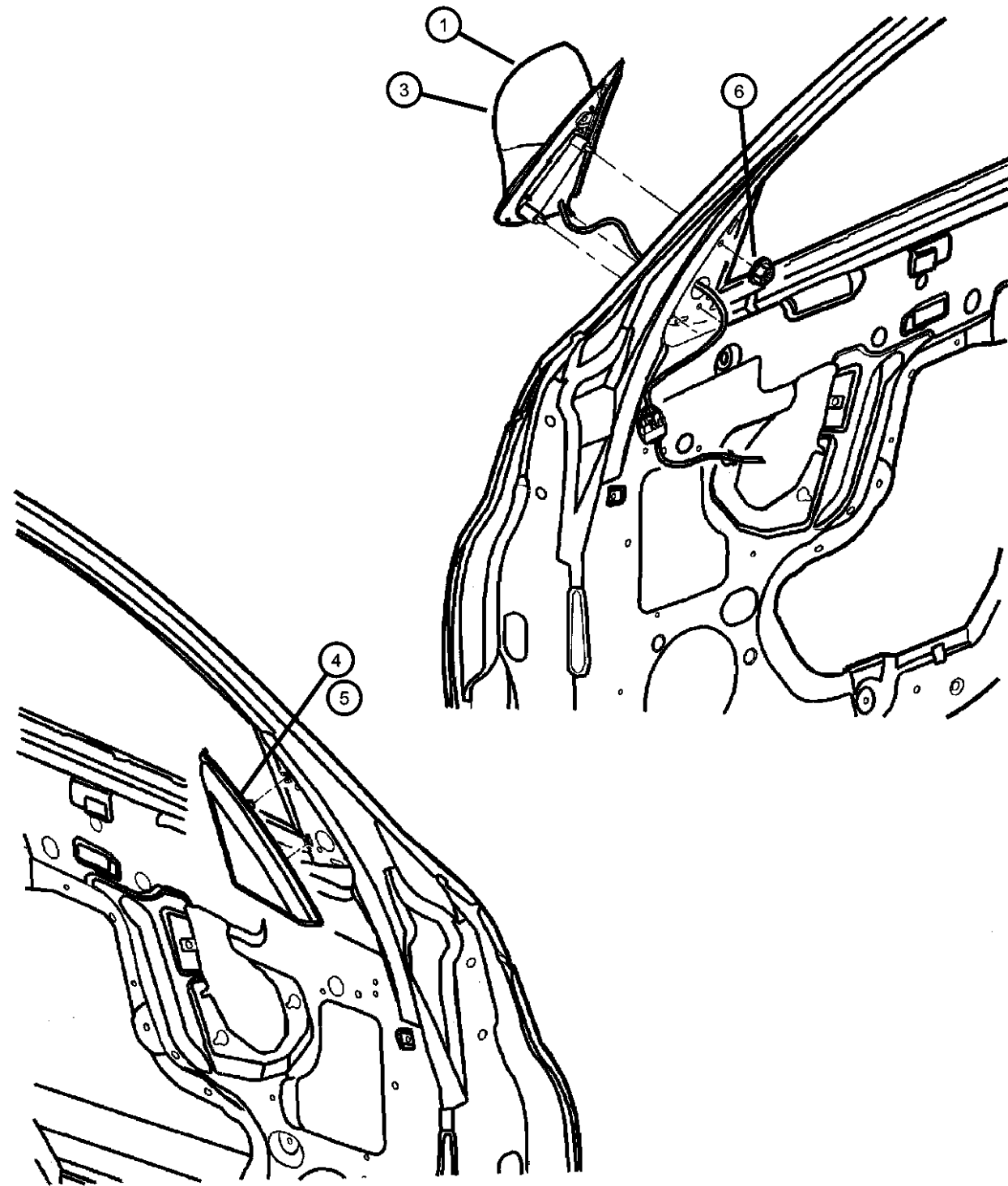
ITEM	PART NUMBER	QTY	LINE	SERIES	BODY	ENGINE	TRANS	TRIM	DESCRIPTION
23									WEATHERSTRIP, Rear Door Glass Run
	04724778AC	1			44				Right
	04724779AC	1			44				Left
24									WEATHERSTRIP, Rear Door Belt
	04724766AE	1			44				Inner, Right
	04724767AE	1			44				Inner, Left
	04724782AG	1			44				Outer, Right
	04724783AG	1			44				Outer, Left
25	05027020AB	2							SEAL, Door Check
26	05096978AA	4			44				NUT, Hex, M6
27	04724850AC	2			44				CHECK, Rear Door
28	04520289	AR							SPACER, Door Latch Striker
29	04780259	2			44				STRIKER, Door
30	06508061AA	4							SCREW, Check Strap, M6x1x25
31	06506256AA	2			44				SCREW AND WASHER, Hex Head, M6x1x20
32	05067622AA	2							ISOLATOR, FOAM
33	04615952	2			44				BUMPER, Door Ajar Switch
34	04658448AC	2			44				CLIP, Latch

PT CRUISER (PT)

SERIES	LINE	BODY	ENGINE	TRANSMISSION
H = HIGHLINE	C = CHRYSLER	27 = 2-DR CONVERTIBLE	EDJ = 2.2L 4 Cyl Turbo Diesel Engine	DGL = 4-Speed Automatic Transmission
P = PREMIUM	Z = CHRYSLER (RHD)	44 = HATCHBACK/QUAD CAB CHASSIS LWB	EDT = 2.4L 4 Cyl DOHC 16V Turbo Engine	DD5 = 5-Speed Manual Transmission
S = SPORT			EDV = 2.4L 4 Cyl DOHC 16V HO Turbo Engine	DDD = 5-Speed HD Manual Transmission
X = SPECIAL			EDZ = 2.4L 4 Cyl DOHC 16V SMPI Engine	
			EJD = 1.6L 4 Cyl SOHC 16V SMPI	

AR = use ase required - = Non illustrated part

Mirrors, Exterior
Figure DPT-510



ITEM	PART NUMBER	QTY	LINE	SERIES	BODY	ENGINE	TRANS	TRIM	DESCRIPTION
------	-------------	-----	------	--------	------	--------	-------	------	-------------

Sales Code:
 [GTE] = Manual, Remote
 [GTR] = Power Heated
 [GTS] = Power Heated, Fold-Away
 [RC6] = 6 Boston Acoustics Speakers

1									MIRROR, Outside Rearview Electric Foldaway
	05067026AD	1			44				[GTS], Right
	05067027AD	1			44				[GTS], Left
	05067477AB	1			27				[GTS], Left
	05067538AA	1			44				[GTN] ARABIC, Right
	05067539AA	1			44				[GTN] ARABIC, Left
	05067028AD	1			44				[GT5], Right
	05067029AD	1			44				[GT5], Left
	05067030AD	1			44				[GT5] Australia, Right
	05067476AB	1			27				[GTS], Right
	05067692AA	1	Z		27				[GT5], Right
	05067693AA	1	Z		27				[GT5], Left
	05067700AA	1	Z		27				[GT5] Australia, Right
-2									GLASS, Mirror Replacement
	05127764AA	1			44				[GTN] ARABIC, Right
	05127766AA	1			44				[GT5], Right
	05127772AA	1	C		44				[GTE], Right
	05127773AA	1			44				[GTS], Left
	05127774AA	1			44				[GTS], Right
	05127775AA	1			44				[GT5], Left
	05127768AA	1			44				[GT5] Australia, Right
	05127771AA	1			44				[GUR], Left
		1	C		44				[GTE], Left
		1			44				[GUR], Right
	05139866AA	1			44				[GTN] ARABIC, Left
3									MIRROR, Outside Rearview
	05067272AC	1			27				[GUR], Right

PT CRUISER (PT)

SERIES LINE
 H = HIGHLINE C = CHRYSLER
 P = PREMIUM Z = CHRYSLER (RHD)
 S = SPORT
 X = SPECIAL

BODY
 27 = 2-DR CONVERTIBLE
 44 = HATCHBACK/QUAD
 CAB CHASSIS LWB

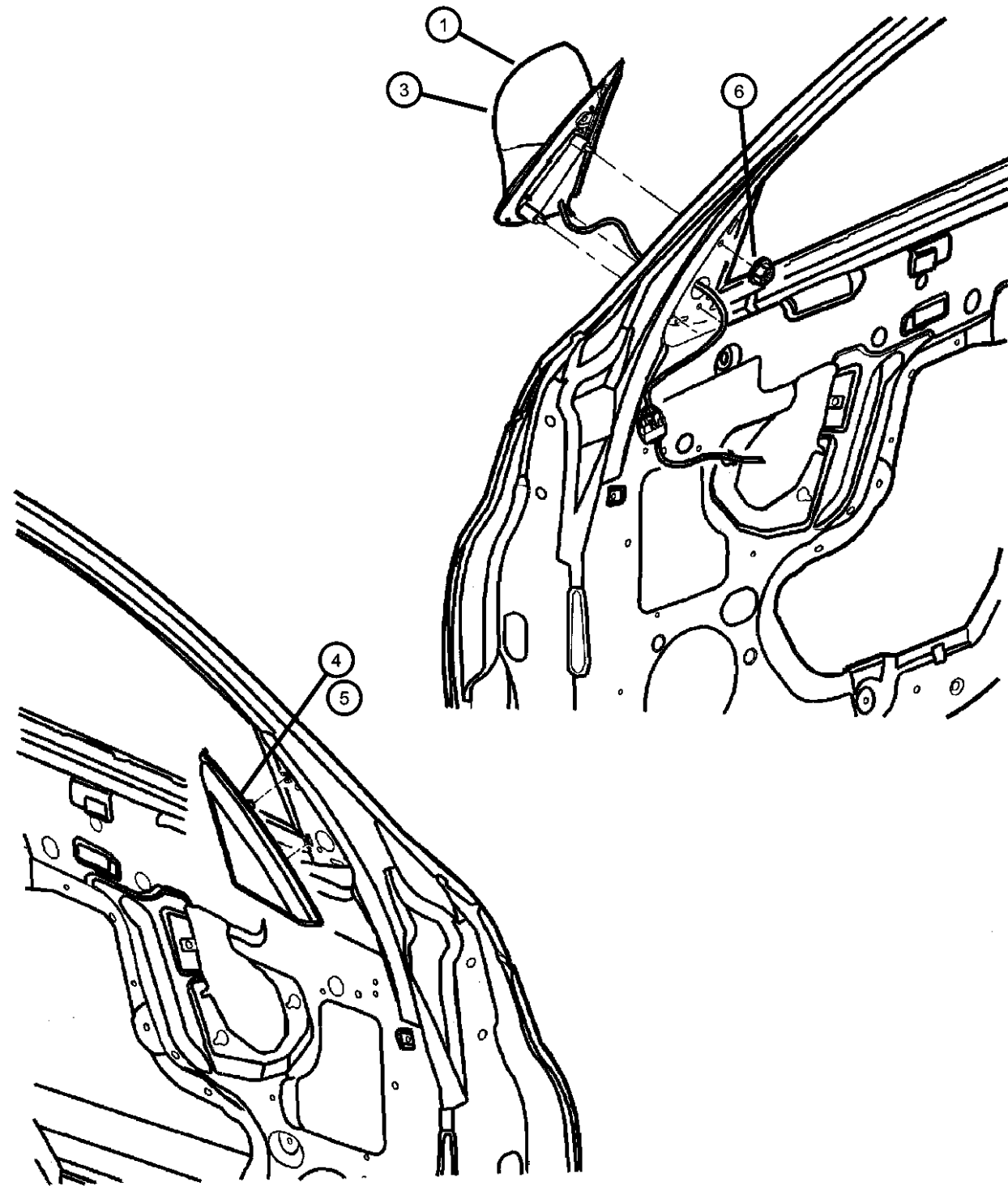
ENGINE
 EDJ = 2.2L 4 Cyl Turbo Diesel Engine
 EDT = 2.4L 4 Cyl DOHC 16V Turbo Engine
 EDV = 2.4L 4 Cyl DOHC 16V HO Turbo Engine
 EDZ = 2.4L 4 Cyl DOHC 16V SMPI Engine
 EJD = 1.6L 4 Cyl SOHC 16V SMPI

TRANSMISSION
 DGL = 4-Speed Automatic Transmission
 DD5 = 5-Speed Manual Transmission
 DDD = 5-Speed HD Manual Transmission

AR = use ase required - = Non illustrated part

2006 PT

Mirrors, Exterior
Figure DPT-510



ITEM	PART NUMBER	QTY	LINE	SERIES	BODY	ENGINE	TRANS	TRIM	DESCRIPTION
	05067450AA	1	C		44				[GTE], Right
	05067451AA	1	C		44				[GTE], Left
	05067273AC	1			27				[GUR], Left
	05067422AA	1			44				[GUR], Right
	05067423AA	1			44				[GUR], Left
4									BEZEL, Power Mirror
	0RH31BDAAA	1			44				[DA], Left
	0RH31DKAAA	1			44				[KA], Left
	0XD22BDAAA	1			27				[DA], Without [RC6], Right
	0RH30BDAAA	1			44				[DA], Right
	0RH30DKAAA	1			44				[KA], Right
	0XD23DKAAA	1			27				[KA], Without [RC6], Left
	0XD22DKAAA	1			27				[KA], Without [RC6], Right
	0XD23BDAAA	1			27				[DA], Without [RC6], Left
5									BEZEL, Remote Control Mirror, Manual
	0RH29BDAAB	1			44				[DA] [GTE], Left
	0RH29DKAAB	1			44				[KA] [GTE], Left
	0RH28BDAAB	1			44				[DA] [GTE], Right
	0RH28DKAAB	1			44				[KA] [GTE], Right
6	06102398AA	6							NUT, Hex

PT CRUISER (PT)

SERIES LINE
H = HIGHLINE C = CHRYSLER
P = PREMIUM Z = CHRYSLER (RHD)
S = SPORT
X = SPECIAL

BODY
27 = 2-DR CONVERTIBLE
44 = HATCHBACK/QUAD
CAB CHASSIS LWB

ENGINE
EDJ = 2.2L 4 Cyl Turbo Diesel Engine
EDT = 2.4L 4 Cyl DOHC 16V Turbo Engine
EDV = 2.4L 4 Cyl DOHC 16V HO Turbo Engine
EDZ = 2.4L 4 Cyl DOHC 16V SMPI Engine
EJD = 1.6L 4 Cyl SOHC 16V SMPI

TRANSMISSION
DGL = 4-Speed Automatic Transmission
DD5 = 5-Speed Manual Transmission
DDD = 5-Speed HD Manual Transmission

AR = use ase required - = Non illustrated part

2006 PT

Weatherstrips and Seals, 44-27
Figure DPT-610

ITEM	PART NUMBER	QTY	LINE	SERIES	BODY	ENGINE	TRANS	TRIM	DESCRIPTION
1	0XW42XXXAA	1			44				WEATHERSTRIP, Front Door Opening Right
	0XW43XXXAA	1			44				Left
2	0XW44XXXAA	1			44				WEATHERSTRIP, Rear Door Opening Right
	0XW45XXXAA	1			44				Left
3	04724784AC	1			44				WEATHERSTRIP, Door Upper Secondary Right
	04724785AC	1			44				Left
4	04724764AE	1			44				WEATHERSTRIP, Front Door Belt, Inner Right
	04724765AE	1			44				Left
	05067666AC	1	C		27				Right
	05067667AC	1	C		27				Left
5	05067148AA	1			27				WEATHERSTRIP, Front Door Belt, Outer Right
	05067149AA	1			27				Left
	04724780AG	1			44				Right
	04724781AG	1			44				Left
6	04724766AE	1			44				WEATHERSTRIP, Rear Door Belt, Inner Right
	04724767AE	1			44				Left
7	04724782AG	1			44				WEATHERSTRIP, Rear Door Belt, Outer Right
	04724783AG	1			44				Left
8	05152096AA	1			44				WEATHERSTRIP, Door Lower Secondary Left, Front Door
	05152095AA	1			44				Right, Front Door

PT CRUISER (PT)

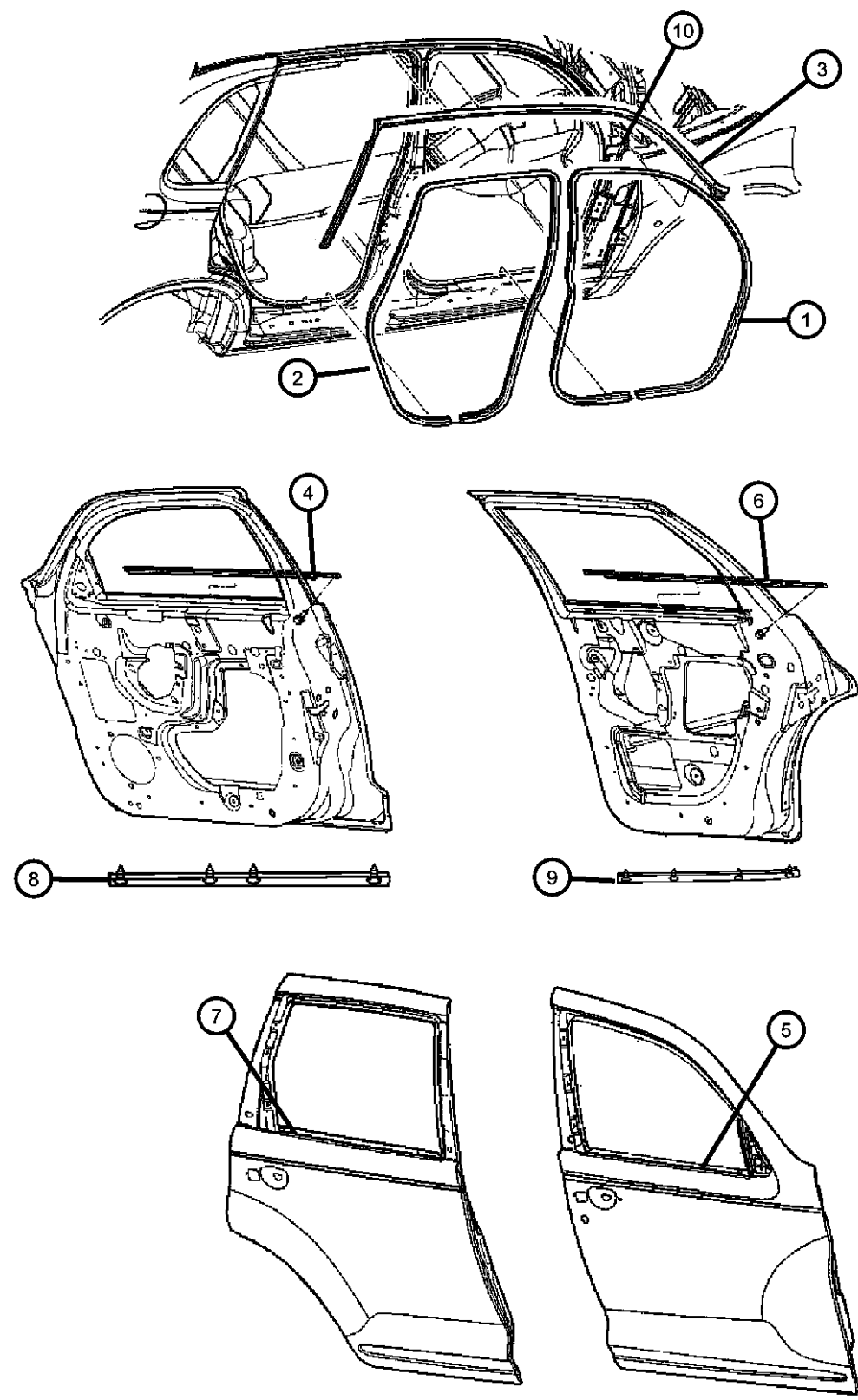
SERIES LINE
H = HIGHLINE C = CHRYSLER
P = PREMIUM Z = CHRYSLER (RHD)
S = SPORT
X = SPECIAL

BODY
27 = 2-DR CONVERTIBLE
44 = HATCHBACK/QUAD CAB CHASSIS LWB

ENGINE TRANSMISSION
EDJ = 2.2L 4 Cyl Turbo Diesel Engine
EDT = 2.4L 4 Cyl DOHC 16V Turbo Engine
EDV = 2.4L 4 Cyl DOHC 16V HO Turbo Engine
EDZ = 2.4L 4 Cyl DOHC 16V SMPI Engine
EJD = 1.6L 4 Cyl SOHC 16V SMPI
DGL = 4-Speed Automatic Transmission
DD5 = 5-Speed Manual Transmission
DDD = 5-Speed HD Manual Transmission

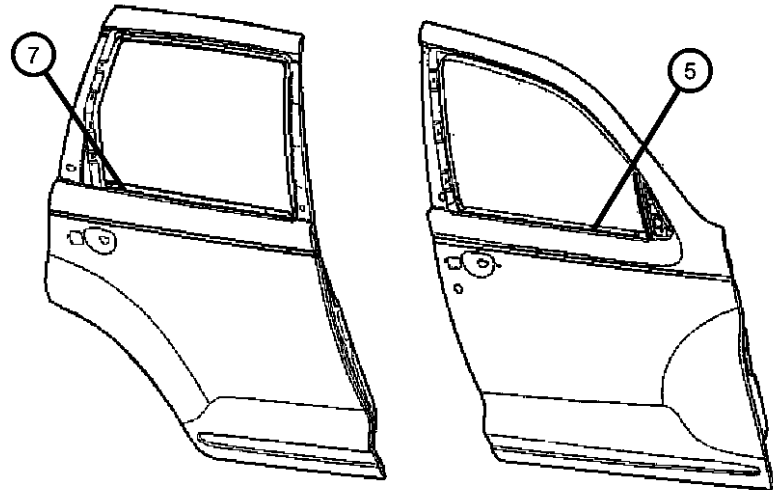
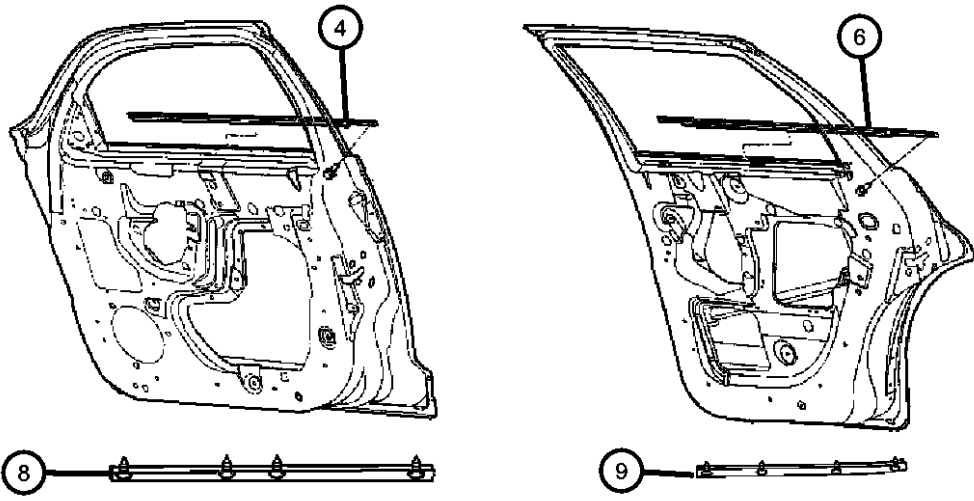
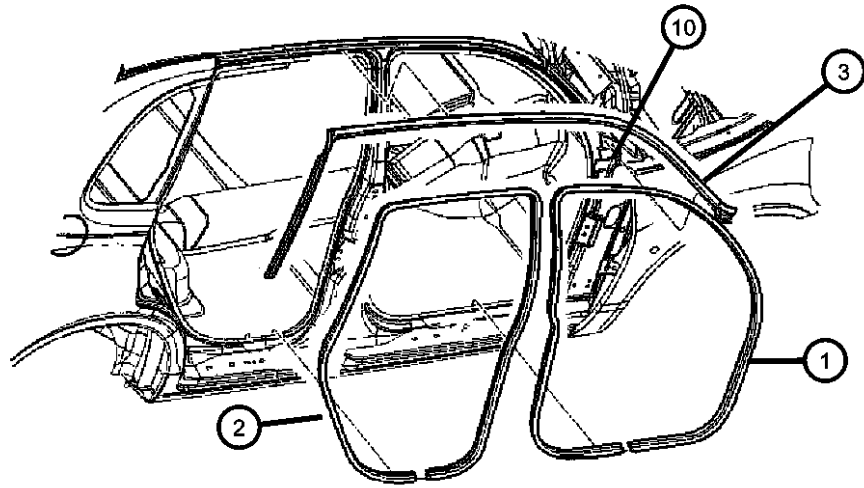
AR = use ase required - = Non illustrated part

2006 PT



Weatherstrips and Seals, 44-27
Figure DPT-610

ITEM	PART NUMBER	QTY	LINE	SERIES	BODY	ENGINE	TRANS	TRIM	DESCRIPTION
9	05152097AA	1			44				WEATHERSTRIP, Door Lower Secondary Right, Rear Door
	05152098AA	1			44				Left, Rear Door
10	05152093AA	1			44				SEAL, A-Pillar Left
	05067626AA	1			27				Right
	05067627AA	1			27				Left
	05152092AA	1			44				Right



PT CRUISER (PT)

SERIES LINE
H = HIGHLINE C = CHRYSLER
P = PREMIUM Z = CHRYSLER (RHD)
S = SPORT
X = SPECIAL

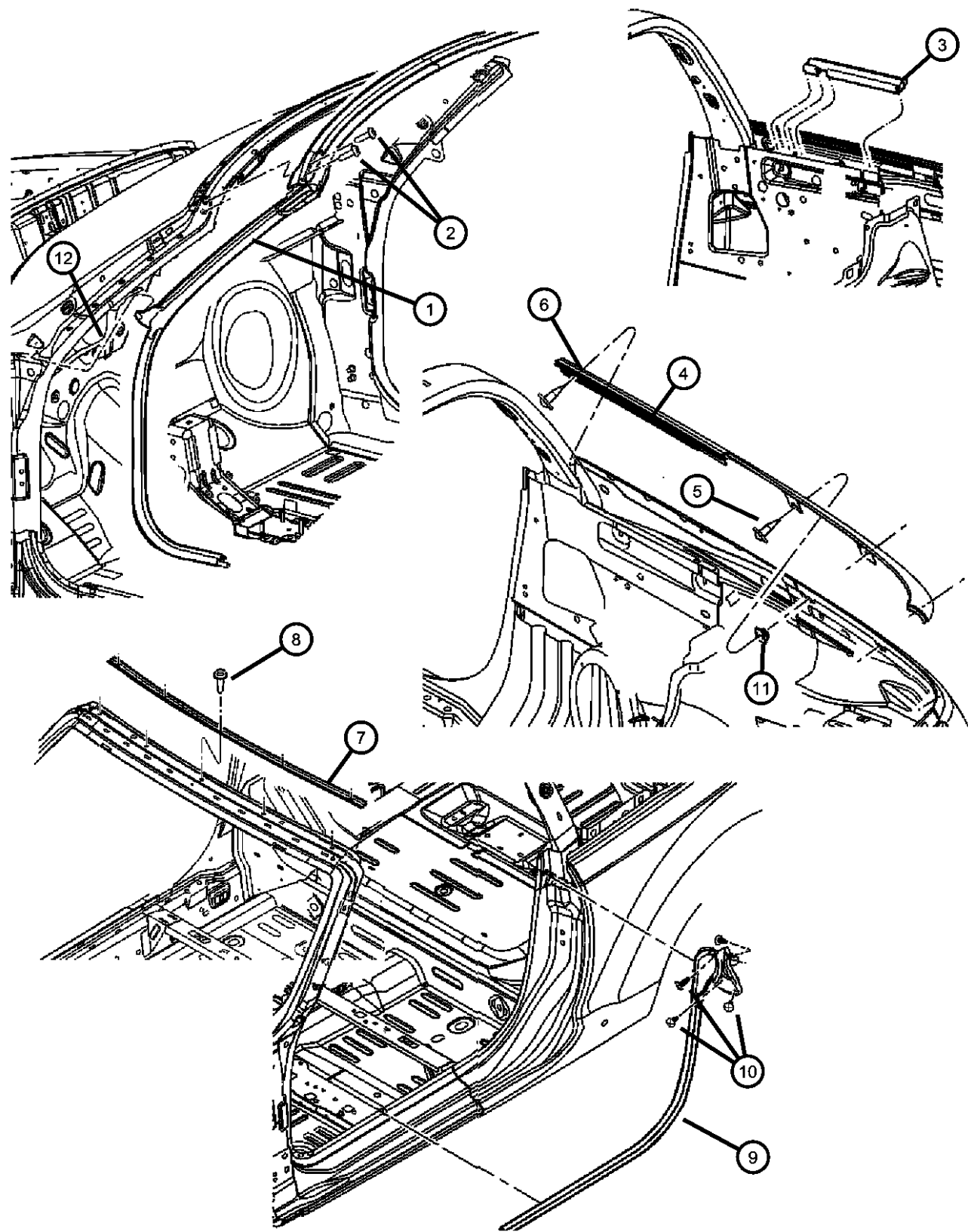
BODY
27 = 2-DR CONVERTIBLE
44 = HATCHBACK/QUAD
CAB CHASSIS LWB

ENGINE TRANSMISSION
EDJ = 2.2L 4 Cyl Turbo Diesel Engine
EDT = 2.4L 4 Cyl DOHC 16V Turbo Engine
EDV = 2.4L 4 Cyl DOHC 16V HO Turbo Engine
EDZ = 2.4L 4 Cyl DOHC 16V SMPI Engine
EJD = 1.6L 4 Cyl SOHC 16V SMPI
DGL = 4-Speed Automatic Transmission
DD5 = 5-Speed Manual Transmission
DDD = 5-Speed HD Manual Transmission

AR = use ase required - = Non illustrated part

2006 PT

Weatherstrips, Body - 27
Figure DPT-620



ITEM	PART NUMBER	QTY	LINE	SERIES	BODY	ENGINE	TRANS	TRIM	DESCRIPTION
1	05067158AF	1			27				WEATHERSTRIP, Header and A pillar
2	06036070AA	4			27				SCREW AND WASHER, Round Head, .164-18x.625
3									WEATHERSTRIP, Rear Quarter Window
	05067664AD	1	C		27				Right
	05067665AD	1	C		27				Left
4									WEATHERSTRIP, Quarter Window Belt
	05067152AG	1			27				Right
	05067153AG	1			27				Left
5	06036170AA	6			44				SCREW, .164-18x.500
6	06034866	2							SCREW
7	05067268AB	1			27				RETAINER, Weatherstrip
8	06036070AA	5			27				SCREW AND WASHER, Round Head, .164-18x.625
9									WEATHERSTRIP, Door Opening
	05067156AD	1			27				Right
	05067157AD	1			27				Left
10	05136100AA	2			27				PIN, Push
11	06508210AA	4			27				NUT, Snap In, M4.2 x 1.41
12									SEAL, A-Pillar
	05067626AA	1			27				Right
	05067627AA	1	C, Z		27				Left

PT CRUISER (PT)

SERIES	LINE	BODY	ENGINE	TRANSMISSION
H = HIGHLINE	C = CHRYSLER	27 = 2-DR CONVERTIBLE	EDJ = 2.2L 4 Cyl Turbo Diesel Engine	DGL = 4-Speed Automatic Transmission
P = PREMIUM	Z = CHRYSLER (RHD)	44 = HATCHBACK/QUAD CAB CHASSIS LWB	EDT = 2.4L 4 Cyl DOHC 16V Turbo Engine	DD5 = 5-Speed Manual Transmission
S = SPORT			EDV = 2.4L 4 Cyl DOHC 16V HO Turbo Engine	DDD = 5-Speed HD Manual Transmission
X = SPECIAL			EDZ = 2.4L 4 Cyl DOHC 16V SMPI Engine	
			EJD = 1.6L 4 Cyl SOHC 16V SMPI	

AR = use ase required - = Non illustrated part

Group - EPT

Exterior Ornamentation

Group - EPT Exterior Ornamentation

Illustration Title

Group-Fig. No.

Nameplates

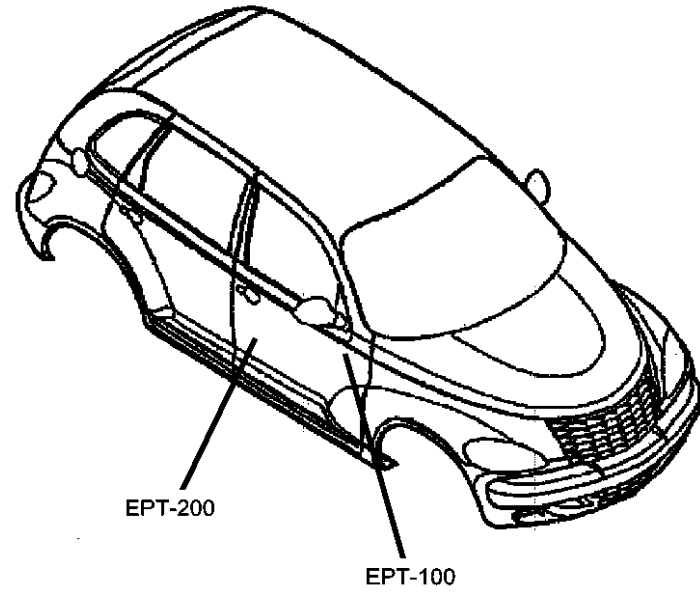
NameplatesFig. EPT - 110

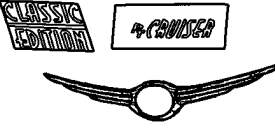
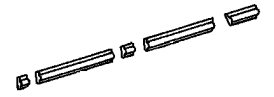
Moldings and Ornamentation

Moldings and Appliques - 44 Fig. EPT - 210

Moldings and Appliques - 27 Fig. EPT - 220

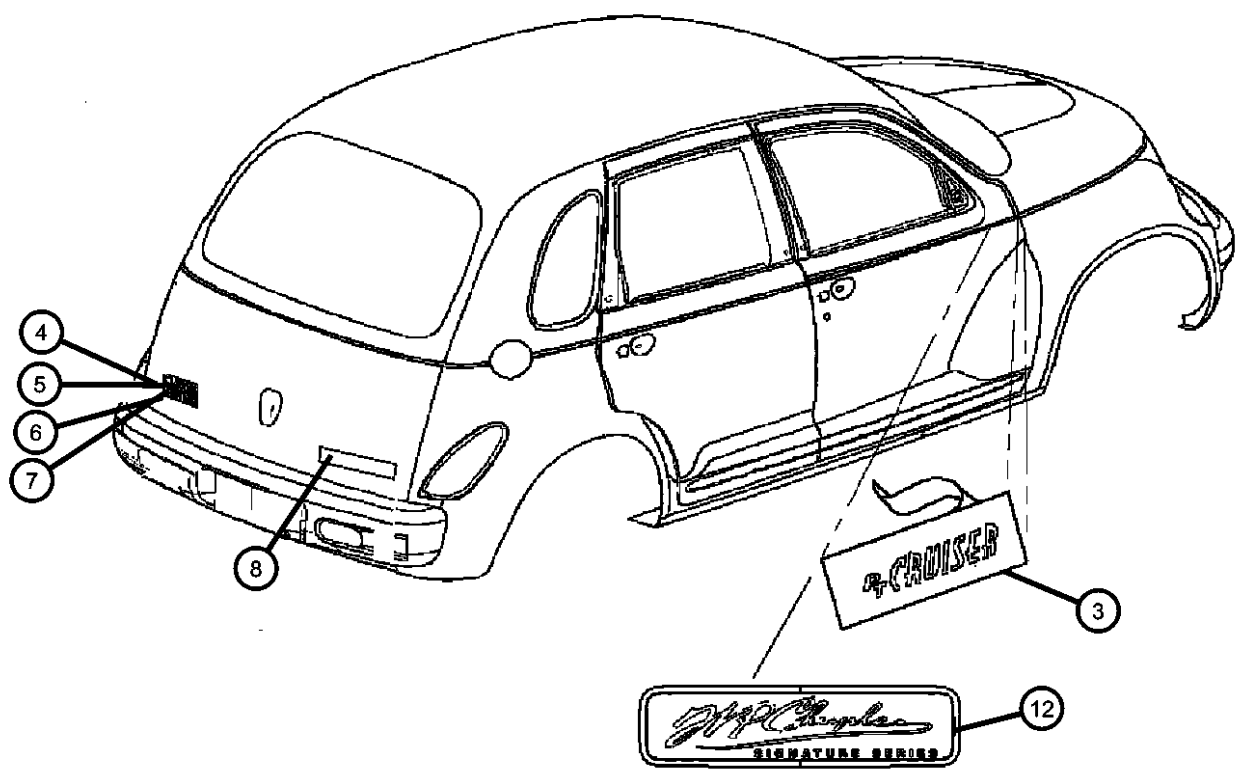
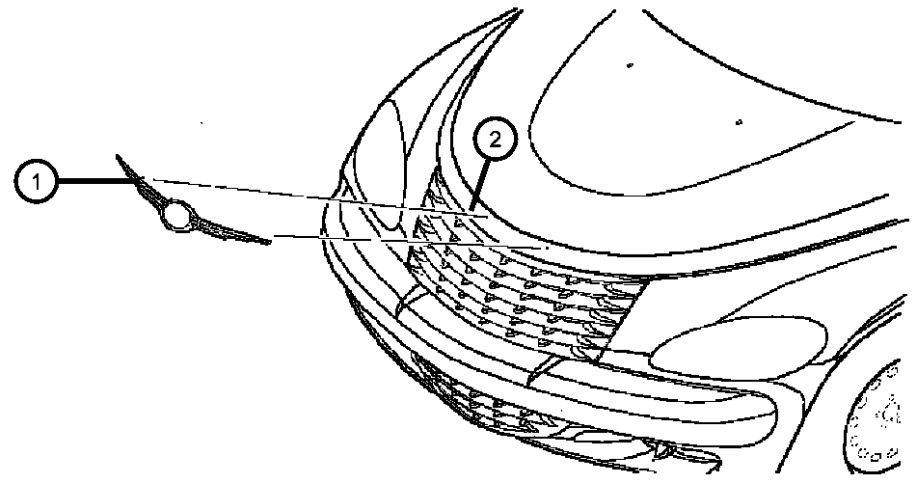
Luggage Rack Spoiler Fig. EPT - 250



<p>EPT-100 Nameplates</p> 	<p>EPT-200 Moldings and Ornamentation</p> 		
---	--	--	--

Nameplates
Figure EPT-110

ITEM	PART NUMBER	QTY	LINE	SERIES	BODY	ENGINE	TRANS	TRIM	DESCRIPTION
1	05116148AB	1							EMBLEM, CHRYSLER WING
2	06100838	2							NUT, Wing Badge to Hood
3	05303581AA	2							NAMEPLATE, PT CRUISER, [MSC]
4	05303588AA	1							NAMEPLATE, [TOURING EDITION], With Sales Code [MSK]
5	05303589AA	1							NAMEPLATE, Liftgate, Limited Edition, [LIMITED EDITION], With Sales Code [MSU], Lower Left
6	05303590AA	1							NAMEPLATE, Chrysler, [CHRYSLER]
7	05303620AA	1							NAMEPLATE, GT, [GT]
8									NAMEPLATE
	05116007AA	1							[MZG,MZY] Limited 2.4L
	05116008AA	1							[MZQ] GT 2.4T
	05116010AA	1							[MWY,MZY] Touring 2.4L
	05116078AA	1							2.4L Turbo-Right
	05116009AA	1							[MZE,MZY] Classic 2.4L
	05303506AA	1							[MG5] 2.4L Turbo
	05303528AA	1							[MZE,MG6] Classic 1.6L
	05303530AA	1							[MZE,MZR] Classic CRD
	05303533AA	1							[MWY,MZR] Touring CRD
	05303534AA	1							LIMITED 1.6L
	05303536AA	1							[MZG,MZR] Limited CRD
	05303531AA	1							[MWY,MG6] Touring 1.6L
-9	05023818AA	2			27				NAMEPLATE, Sport Bar, Chrysler Winged Emblem
-10	05152107AB	1							NAMEPLATE, STREET CRUISER SERIES, [MS5]
-11	05152105AA	2							NAMEPLATE, ROUTE 66 EDITION, [MYP]
12	55370001AA	2	C, Z		27, 44				NAMEPLATE, Signature Series [MYC]



PT CRUISER (PT)

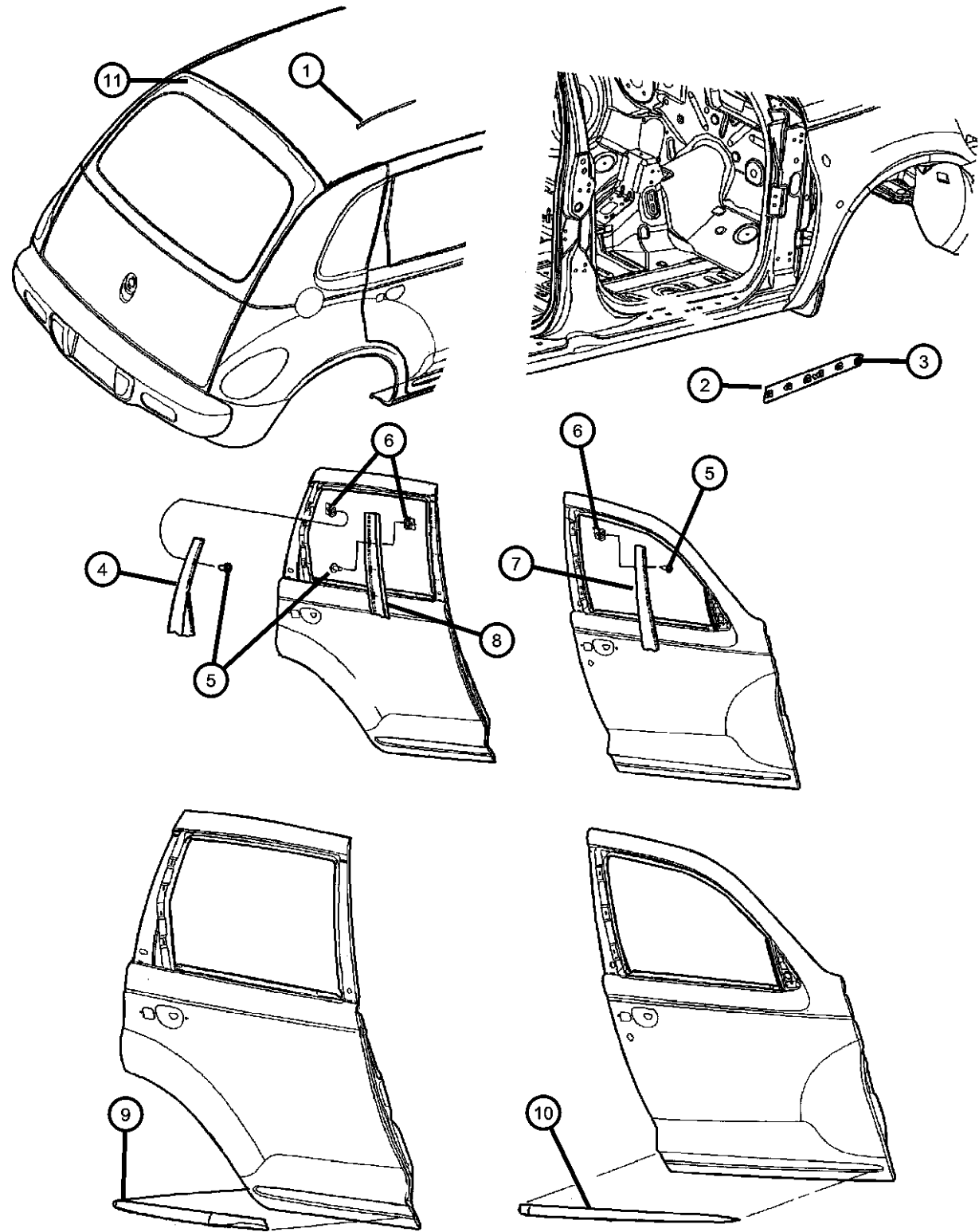
SERIES LINE
H = HIGHLINE C = CHRYSLER
P = PREMIUM Z = CHRYSLER (RHD)
S = SPORT
X = SPECIAL

BODY
27 = 2-DR CONVERTIBLE
44 = HATCHBACK/QUAD CAB CHASSIS LWB

ENGINE TRANSMISSION
EDJ = 2.2L 4 Cyl Turbo Diesel Engine
EDT = 2.4L 4 Cyl DOHC 16V Turbo Engine
EDV = 2.4L 4 Cyl DOHC 16V HO Turbo Engine
EDZ = 2.4L 4 Cyl DOHC 16V SMPI Engine
EJD = 1.6L 4 Cyl SOHC 16V SMPI
DGL = 4-Speed Automatic Transmission
DD5 = 5-Speed Manual Transmission
DDD = 5-Speed HD Manual Transmission

AR = use ase required - = Non illustrated part

Moldings and Appliques - 44
Figure EPT-210



ITEM	PART NUMBER	QTY	LINE	SERIES	BODY	ENGINE	TRANS	TRIM	DESCRIPTION
1	05303555AA	1			44				MOLDING, Roof Left
	05303554AA	1			44				Right
2	0SF34DX9AB	1			44				COVER, Sill Right
	0SF35DX9AB	1			44				Left
3	05067087AA	1							TAPE, Anti Chip Left
	05067086AA	1							Right
4	05288840AG	1			44				APPLIQUE, C Pillar Right
	05288841AG	1			44				Left
5	06036170AA	6			44				SCREW, .164-18x.500
6	06036042AA	20			44				NUT/SPRING, Snap In, .164-18
7	05288836AG	1			44				APPLIQUE, B Pillar, Front Door Right
	05288837AG	1			44				Left
8	05288838AH	1			44				APPLIQUE, B Pillar, Rear Door, Includes Weatherstrip Right
	05288839AH	1			44				Left
9	05303508AA	2			44				MOLDING, Rear Door Chrome
	0RV18CY-GAA	2	C, Z		44				[K5G]
	1AS88AB5AB	2			44				[K5F]
	1AS88ARHAB	2			44				[K5W]
	1AS88BPKAB	2			44				[K5P]
	1AS88CB6AB	2			44				[K5H]
	1AS88DX8AB	2			44				[K5X]
	1AS88WS2AB	2			44				[K5D]
	1AS88XW-GAB	2			44				[K5V]

PT CRUISER (PT)

SERIES LINE
H = HIGHLINE C = CHRYSLER
P = PREMIUM Z = CHRYSLER (RHD)
S = SPORT
X = SPECIAL

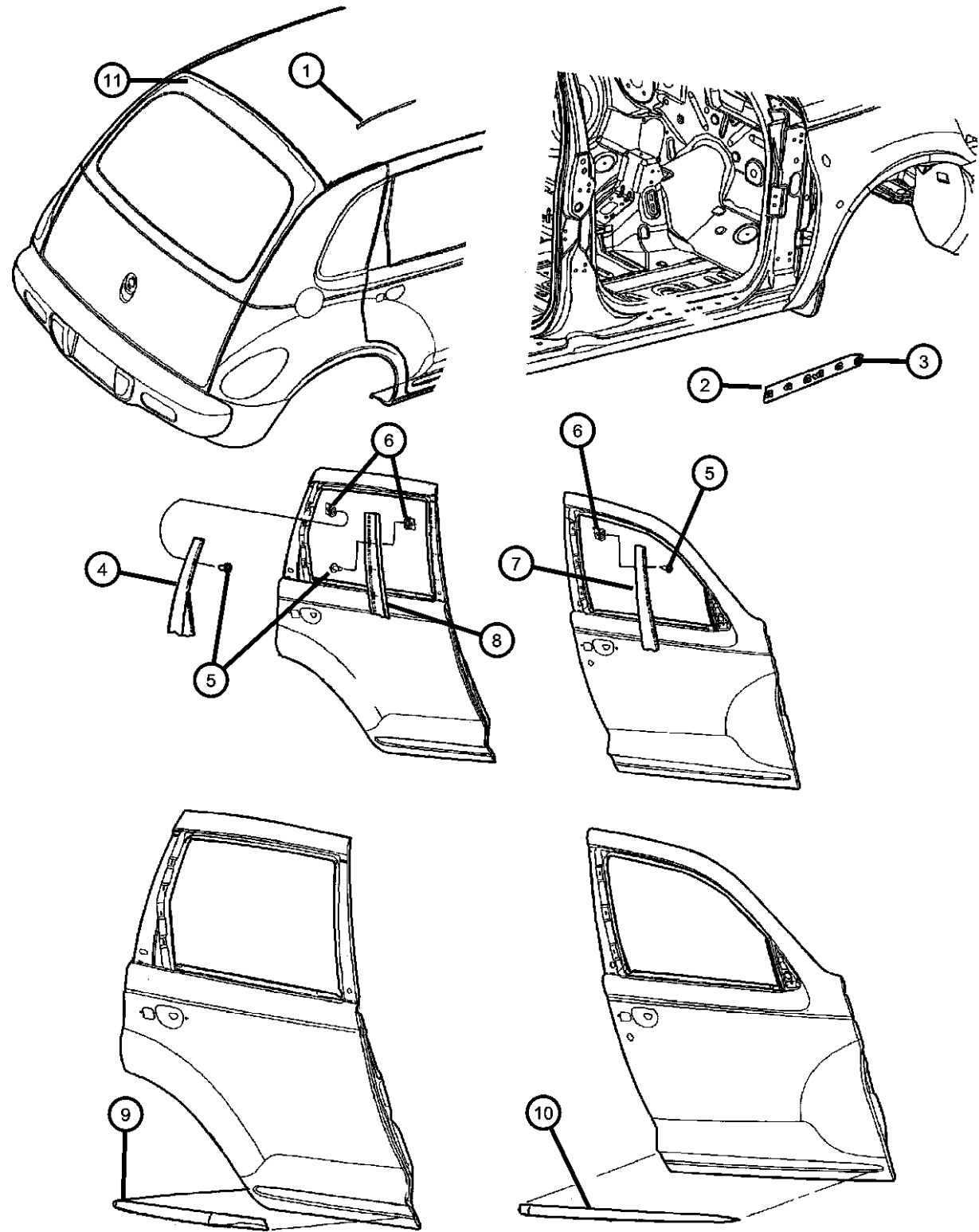
BODY
27 = 2-DR CONVERTIBLE
44 = HATCHBACK/QUAD
CAB CHASSIS LWB

ENGINE TRANSMISSION
EDJ = 2.2L 4 Cyl Turbo Diesel Engine
EDT = 2.4L 4 Cyl DOHC 16V Turbo Engine
EDV = 2.4L 4 Cyl DOHC 16V HO Turbo Engine
EDZ = 2.4L 4 Cyl DOHC 16V SMPI Engine
EJD = 1.6L 4 Cyl SOHC 16V SMPI
DGL = 4-Speed Automatic Transmission
DD5 = 5-Speed Manual Transmission
DDD = 5-Speed HD Manual Transmission

AR = use ase required - = Non illustrated part

2006 PT

Moldings and Appliques - 44
Figure EPT-210



ITEM	PART NUMBER	QTY	LINE	SERIES	BODY	ENGINE	TRANS	TRIM	DESCRIPTION
10	0RV16CY-GAB	2	C, Z		44				MOLDING, Front Door [K5G]
	1AS86AB5AB	2			44				[K5F]
	1AS86ARHAB	2			44				[K5W]
	1AS86BPKAB	2			44				[K5P]
	1AS86CB6AB	2			44				[K5H]
	1AS86DX8AB	2			44				[K5X]
	1AS86WS2AB	2			44				[K5D]
	1AS86XW-GAB	2			44				[K5V]
	05303507AA	2			44				Chrome
11	05288807AB	1			44				MOLDING, Liftgate Glass

PT CRUISER (PT)

SERIES LINE
H = HIGHLINE C = CHRYSLER
P = PREMIUM Z = CHRYSLER (RHD)
S = SPORT
X = SPECIAL

BODY
27 = 2-DR CONVERTIBLE
44 = HATCHBACK/QUAD
CAB CHASSIS LWB

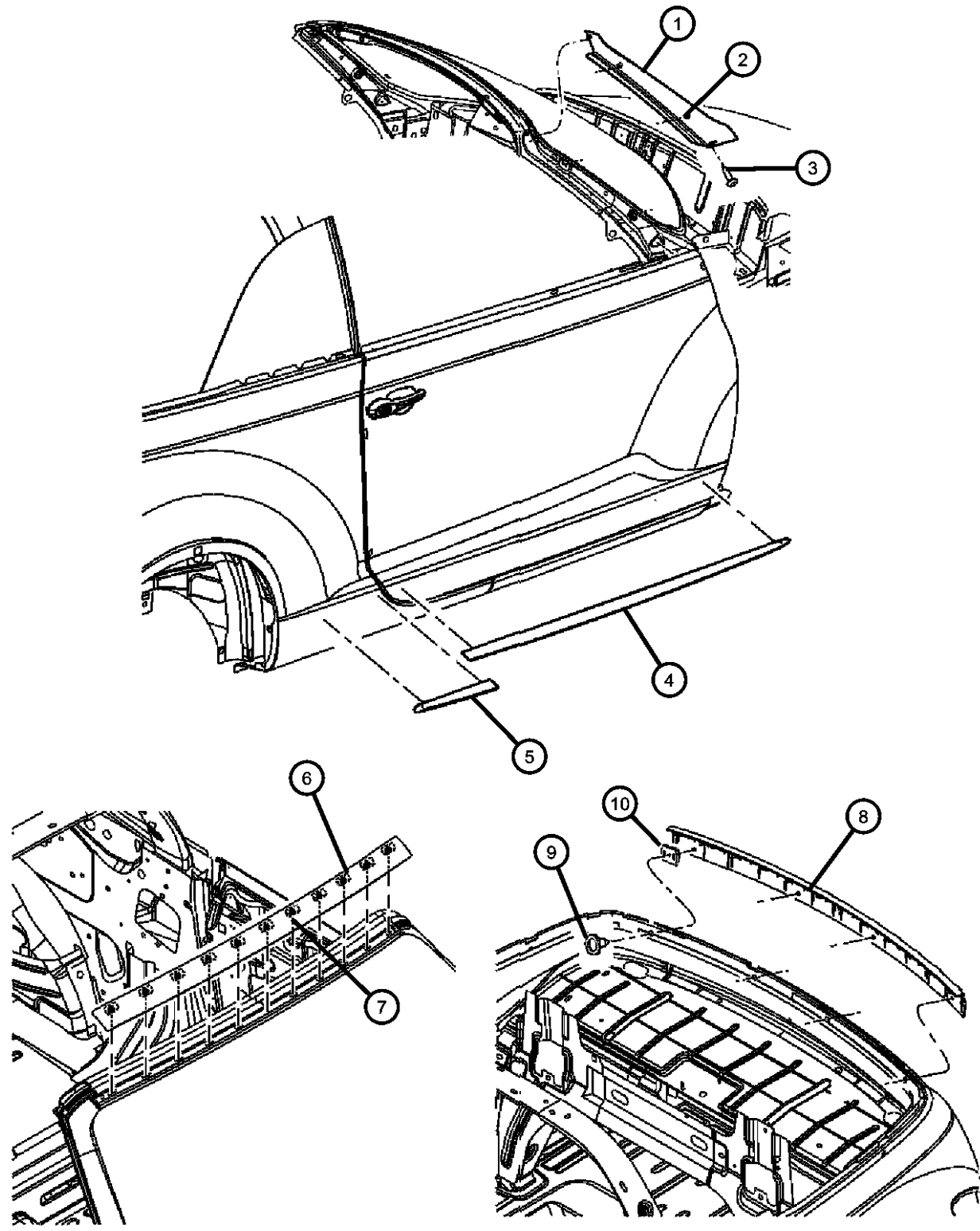
ENGINE TRANSMISSION
EDJ = 2.2L 4 Cyl Turbo Diesel Engine DGL = 4-Speed Automatic Transmission
EDT = 2.4L 4 Cyl DOHC 16V Turbo Engine DD5 = 5-Speed Manual Transmission
EDV = 2.4L 4 Cyl DOHC 16V HO Turbo Engine DDD = 5-Speed HD Manual Transmission
EDZ = 2.4L 4 Cyl DOHC 16V SMPI Engine
EJD = 1.6L 4 Cyl SOHC 16V SMPI

AR = use ase required - = Non illustrated part

2006 PT

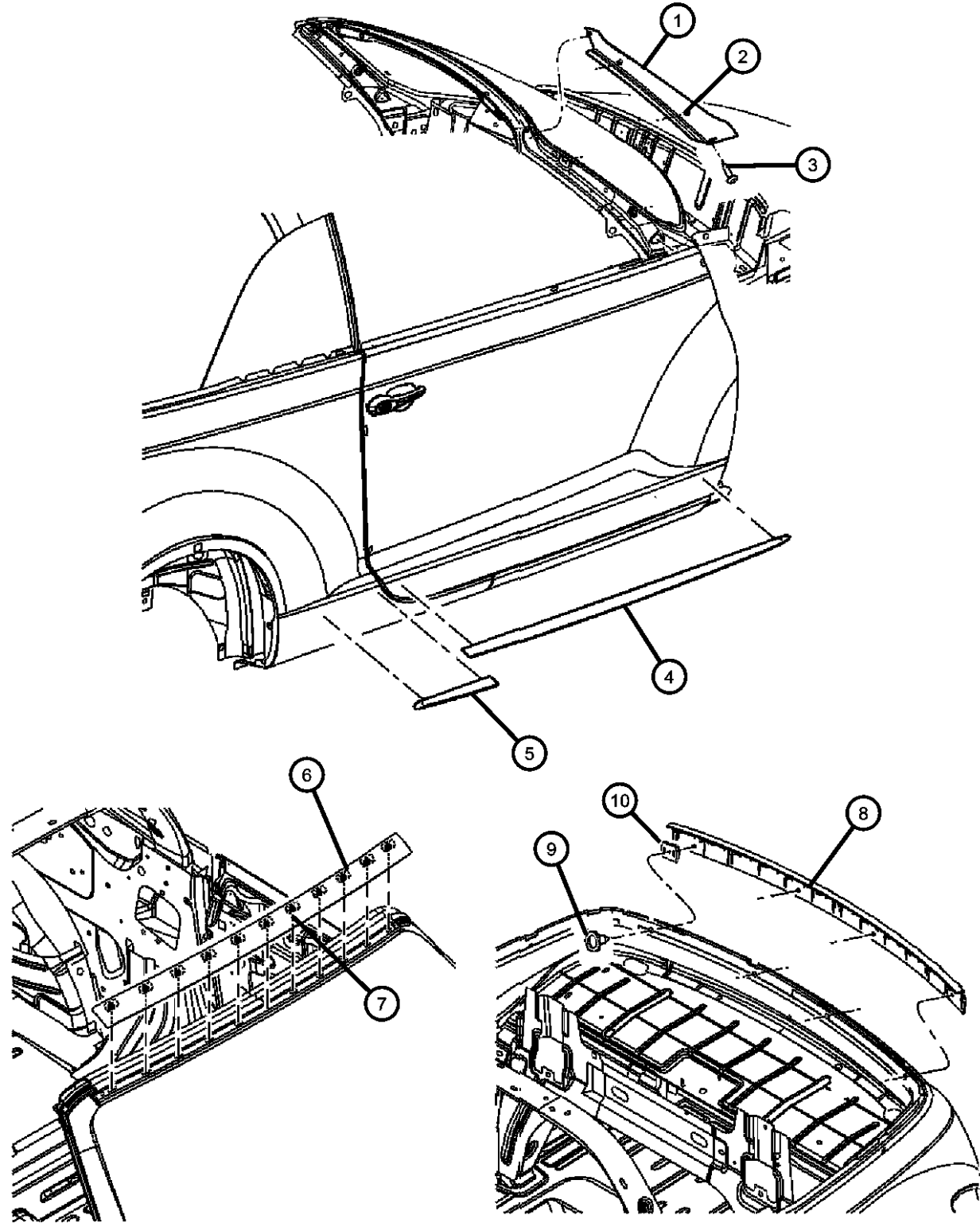
Moldings and Appliques - 27
Figure EPT-220

ITEM	PART NUMBER	QTY	LINE	SERIES	BODY	ENGINE	TRANS	TRIM	DESCRIPTION
1	0XC40TZZAG	1			27				MOLDING, A-PILLAR Right
	0XC41TZZAG	1			27				Left
2	05127350AA	1			27				CLIP
3	06036070AA	4			27				SCREW AND WASHER, Round Head, .164-18x.625
4	0XG24AB5AB	1			27				MOLDING, Front Door [AB5], Right
	0XG24ARHAB	1			27				[ARH], Right
	0XG24BPKAB	1			27				[K5P], Right
	0XG24CB6AB	1			27				[K5H], Right
	0XG24CY-GAB	1			27				[CYG]
	0XG24DX8AB	1			27				[DX8]
	0XG24WS2AB	1			27				[WS2]
	0XG24XW-GAB	1			27				[XWG]
	0XG25AB5AB	1			27				[AB5], Left
	0XG25ARHAB	1			27				[ARH], Left
	0XG25CB6AB	1			27				[K5H], Left
	0XG25CY-GAB	1			27				[CYG], Left
	0XG25DX8AB	1			27				[DX8], Left
	0XG25WS2AB	1			27				[WS2], Left
	0XG25BPKAB	1			27				[K5P], Left
	0XG25XW-GAB	1			27				[XWG], Left
5	0XG26AB5AB	1			27				MOLDING, Quarter Panel [AB5], Right
	0XG26ARHAB	1			27				[ARH], Right
	0XG26BPKAB	1			27				[BPK], Right
	0XG26CB6AB	1			27				[CB6], Right
	0XG26CY-GAB	1			27				[CYG]
	0XG26DX8AB	1			27				[DX8]



PT CRUISER (PT)
 SERIES LINE BODY ENGINE TRANSMISSION
 H = HIGHLINE C = CHRYSLER 27 = 2-DR CONVERTIBLE EDJ = 2.2L 4 Cyl Turbo Diesel DGL = 4-Speed Automatic
 P = PREMIUM Z = CHRYSLER (RHD) 44 = HATCHBACK/QUAD CAB CHASSIS LWB Engine Transmission
 S = SPORT EDT = 2.4L 4 Cyl DOHC 16V Turbo Engine DD5 = 5-Speed Manual Transmission
 X = SPECIAL EDV = 2.4L 4 Cyl DOHC 16V HO Turbo Engine DDD = 5-Speed HD Manual Transmission
 EDZ = 2.4L 4 Cyl DOHC 16V SMPI Engine
 EJD = 1.6L 4 Cyl SOHC 16V SMPI

Moldings and Appliques - 27
Figure EPT-220



ITEM	PART NUMBER	QTY	LINE	SERIES	BODY	ENGINE	TRANS	TRIM	DESCRIPTION
	0XG26WS2AB	1			27				[WS2]
	0XG26XW-GAB	1			27				[XWG]
	0XG27AB5AB	1			27				[AB5], Left
	0XG27ARHAB	1			27				[ARH], Left
	0XG27BPKAB	1			27				[BPK], Left
	0XG27CB6AB	1			27				[CB6], Left
	0XG27WS2AB	1			27				[WS2], Left
	0XG27XW-GAB	1			27				[XWG], Left
	0XG27CY-GAB	1			27				[CYG], Left
	0XG27DX8AB	1			27				[DX8], Left
6	0XC39TZZAG	1			27				MOLDING, Windshield
7	05161668AA	11			27				CLIP, Windshield Molding
8	0XC42RXFAG	1			27				MOLDING, Decklid
9	06036170AA	4			27				SCREW, .164-18x.500
10	06508210AA	6			27				NUT, Snap In, M4.2 x 1.41

PT CRUISER (PT)

SERIES LINE
H = HIGHLINE C = CHRYSLER
P = PREMIUM Z = CHRYSLER (RHD)
S = SPORT
X = SPECIAL

BODY
27 = 2-DR CONVERTIBLE
44 = HATCHBACK/QUAD
CAB CHASSIS LWB

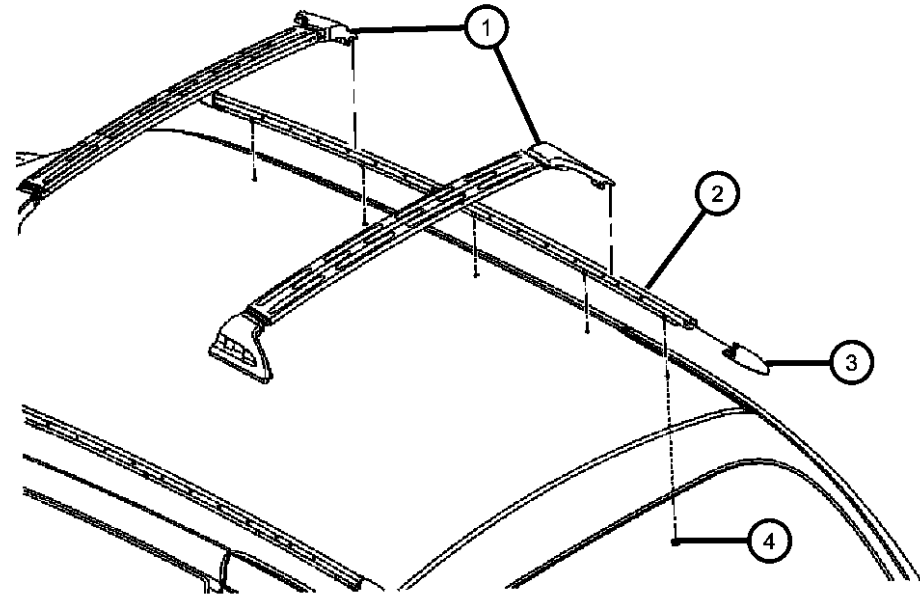
ENGINE
EDJ = 2.2L 4 Cyl Turbo Diesel Engine
EDT = 2.4L 4 Cyl DOHC 16V Turbo Engine
EDV = 2.4L 4 Cyl DOHC 16V HO Turbo Engine
EDZ = 2.4L 4 Cyl DOHC 16V SMPI Engine
EJD = 1.6L 4 Cyl SOHC 16V SMPI

TRANSMISSION
DGL = 4-Speed Automatic Transmission
DD5 = 5-Speed Manual Transmission
DDD = 5-Speed HD Manual Transmission

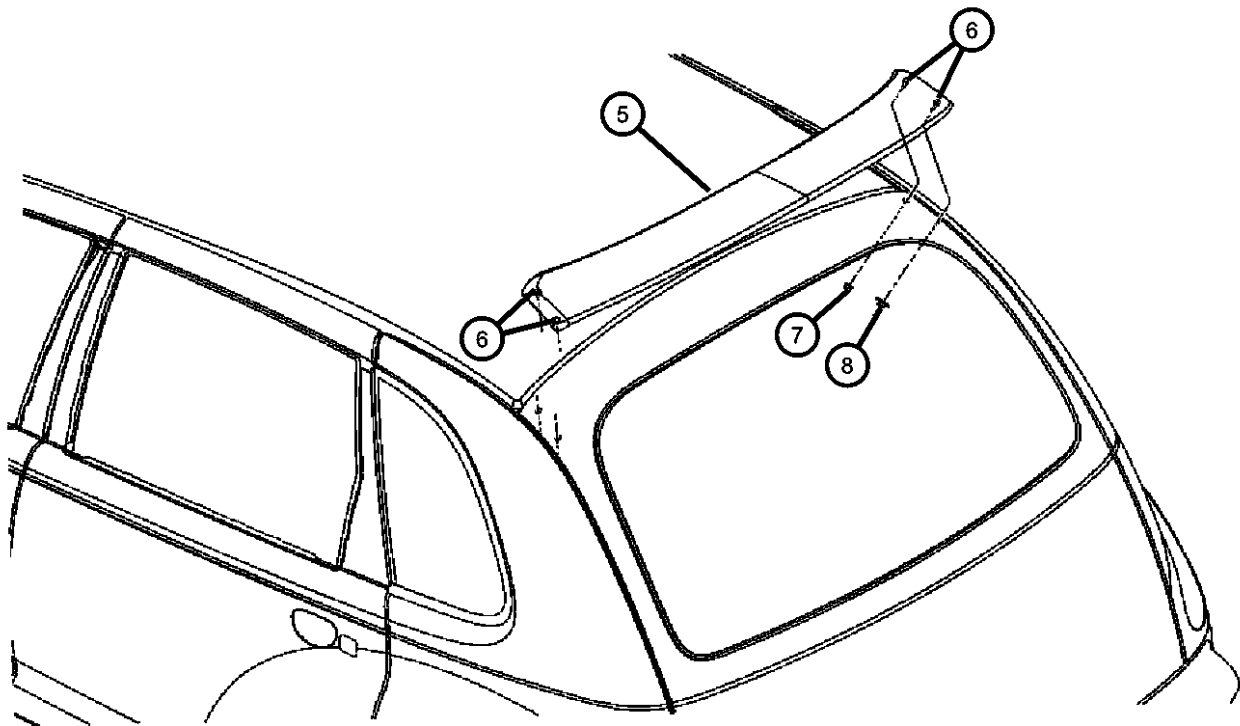
AR = use ase required - = Non illustrated part

2006 PT

Luggage Rack Spoiler
Figure EPT-250



ITEM	PART NUMBER	QTY	LINE	SERIES	BODY	ENGINE	TRANS	TRIM	DESCRIPTION
1	05303724AA	1							RAIL, LUGG RACK CROSS
2	05303728AA	1							RAIL, Luggage Rack Side Right
	05303729AA	1							Left
3	05303732AA	1							COVER, Luggage Rack Right
	05303733AA	1							Left
4	06505881AA	10							NUT AND WASHER, Hex Nut-Coned Washer, M6 x 1.00 SPOILER, Liftgate
5	0ZW65TZZAB	1			44				
6	0ZW65TZZAB	1							SCREW, Serviced in Spoiler Assy., (NOT SERVICED)
7	06102101AA	2			44				NUT AND WASHER, Hex, M5x0.80
8	06505953AA	2			44				NUT AND WASHER, M6x1



PT CRUISER (PT)

SERIES LINE
H = HIGHLINE C = CHRYSLER
P = PREMIUM Z = CHRYSLER (RHD)
S = SPORT
X = SPECIAL

BODY
27 = 2-DR CONVERTIBLE
44 = HATCHBACK/QUAD
CAB CHASSIS LWB

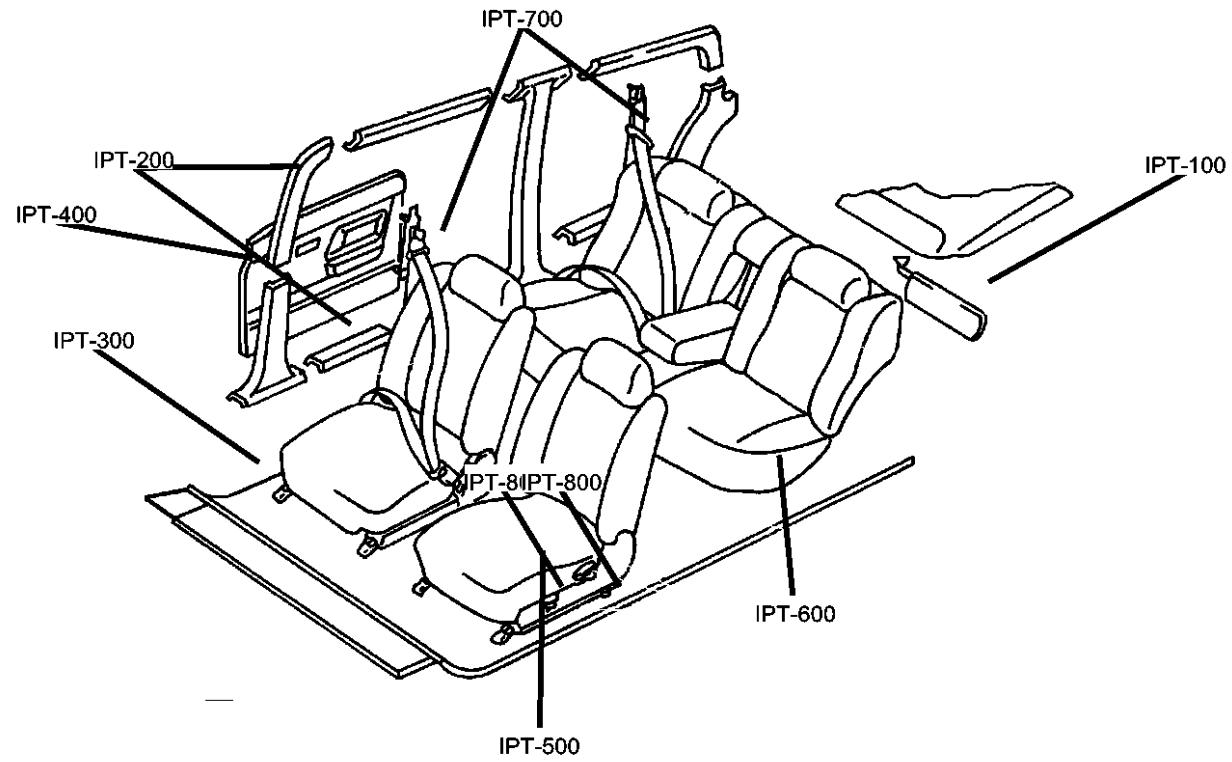
ENGINE TRANSMISSION
EDJ = 2.2L 4 Cyl Turbo Diesel Engine
EDT = 2.4L 4 Cyl DOHC 16V Turbo Engine
EDV = 2.4L 4 Cyl DOHC 16V HO Turbo Engine
EDZ = 2.4L 4 Cyl DOHC 16V SMPI Engine
EJD = 1.6L 4 Cyl SOHC 16V SMPI
DGL = 4-Speed Automatic Transmission
DD5 = 5-Speed Manual Transmission
DDD = 5-Speed HD Manual Transmission

AR = use ase required - = Non illustrated part

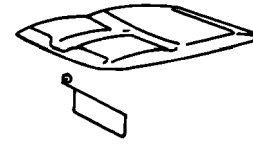
2006 PT

Group - IPT

Interior Trim



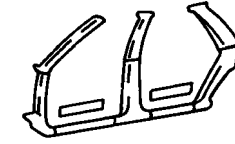
IPT-100
Headliner and Visor



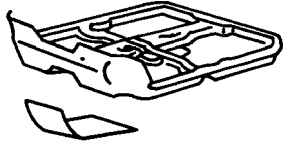
IPT-1000
Lift Gate Trim



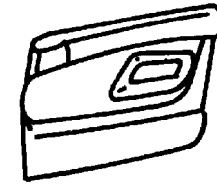
IPT-200
Panel, Moldings, Scuff Plates



IPT-300
Carpet



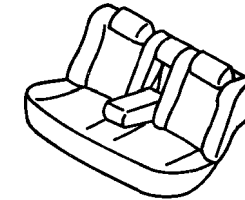
IPT-400
Door Trim Panels



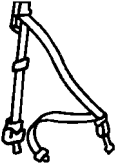
IPT-500
Front Seats and Attaching Parts



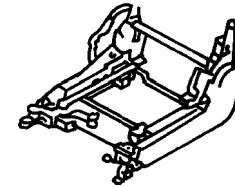
IPT-600
Rear Seats-Folding



IPT-700
Seat Belts-Front and Rear



IPT-800
Adjusters, Covers, Shields, and Risers



Group - IPT Interior Trim

Illustration Title	Group-Fig. No.
Headliner and Visor	
Headliner and Visor	Fig. IPT - 110
Panel, Moldings, Scuff Plates	
Cowl Panels	Fig. IPT - 205
A-Pillar Molding - 44 Body	Fig. IPT - 210
A-Pillar Molding - 27 Body	Fig. IPT - 215
B-Pillar Molding	Fig. IPT - 220
Molding - Front Header	Fig. IPT - 225
Sport Bar	Fig. IPT - 230
Quarter Panel - 27 Body	Fig. IPT - 235
Quarter Trim Panel and Shelve Panel	Fig. IPT - 240
Scuff Plate - 44 Body	Fig. IPT - 245
Scuff Plate - 27 Body	Fig. IPT - 250
Carpet	
Carpets and Mats - 27 Body	Fig. IPT - 305
Carpets and Mats - 44 Body	Fig. IPT - 310
Seat - Rear Attaching Floor Pan	Fig. IPT - 315
Door Trim Panels	
Door Panels - Front 27 Body	Fig. IPT - 410
Door Panels - Front - 44 Body	Fig. IPT - 415
Door Panel - Rear	Fig. IPT - 420
Front Seats and Attaching Parts	
Front Seats - Trim Code [P7] - 27 Body	Fig. IPT - 502
Front Seat - Trim Code [P7] - 44 Body	Fig. IPT - 505
Front Seat - Trim Code [CL]	Fig. IPT - 510
Front Seat - Trim Code [XL]	Fig. IPT - 515
Front Seat - Trim Code [E7]	Fig. IPT - 520
Front Seat - Trim Code [TL]	Fig. IPT - 525
Front Seat - Attaching Parts	Fig. IPT - 535
Rear Seats-Folding	
Rear Seats - Trim Code [P7]	Fig. IPT - 605
Rear Seat - Trim Code [P7] - 27 Body	Fig. IPT - 608
Rear Seat - Trim Code [CL] - 44 Body	Fig. IPT - 610
Rear Seat - Trim Code [CL] - 27 Body	Fig. IPT - 615
Rear Seat - Trim Code [XL]	Fig. IPT - 620
Rear Seat - Trim Code [E7] - 27 Body	Fig. IPT - 625
Rear Seats - Trim Code [E7] - 44 Body	Fig. IPT - 627
Rear Seat - Trim Code [TL]	Fig. IPT - 628
Rear Seat - Pivot Brackets	Fig. IPT - 630
Rear Seat - Bolster	Fig. IPT - 640
Rear seat Back Attaching	Fig. IPT - 645
Seat Belts-Front and Rear	
Seat Belt - Front 44 Body	Fig. IPT - 705
Seat Belts - Rear 44 Body	Fig. IPT - 710
Seat Belt - Front - 27 Body	Fig. IPT - 715
Seat Belt - Rear - 27 Body	Fig. IPT - 720
Adjusters, Covers, Shields, and Risers	
Risers , Seat Frame and Shields	Fig. IPT - 808
Seat - Rear Attachments Floor Pan - 27 Body	Fig. IPT - 840
Seat - Rear Attachments Floor Pan - 44 Body	Fig. IPT - 845
Lift Gate Trim	
Lifgate Panel and Scuff Plate - 27 Body	Fig. IPT - 1010
Liftgate Panel and Scuff Plate - 44 Body	Fig. IPT - 1020

Headliner and Visor Figure IPT-110

ITEM	PART NUMBER	QTY	LINE	SERIES	BODY	ENGINE	TRANS	TRIM	DESCRIPTION
------	-------------	-----	------	--------	------	--------	-------	------	-------------

When Ordering Sunvisor For The Canada Market Also Order English/French Airbag Warning Label (5023355AA)

NOTE; Sales Codes

[CSV]=Assist Handles

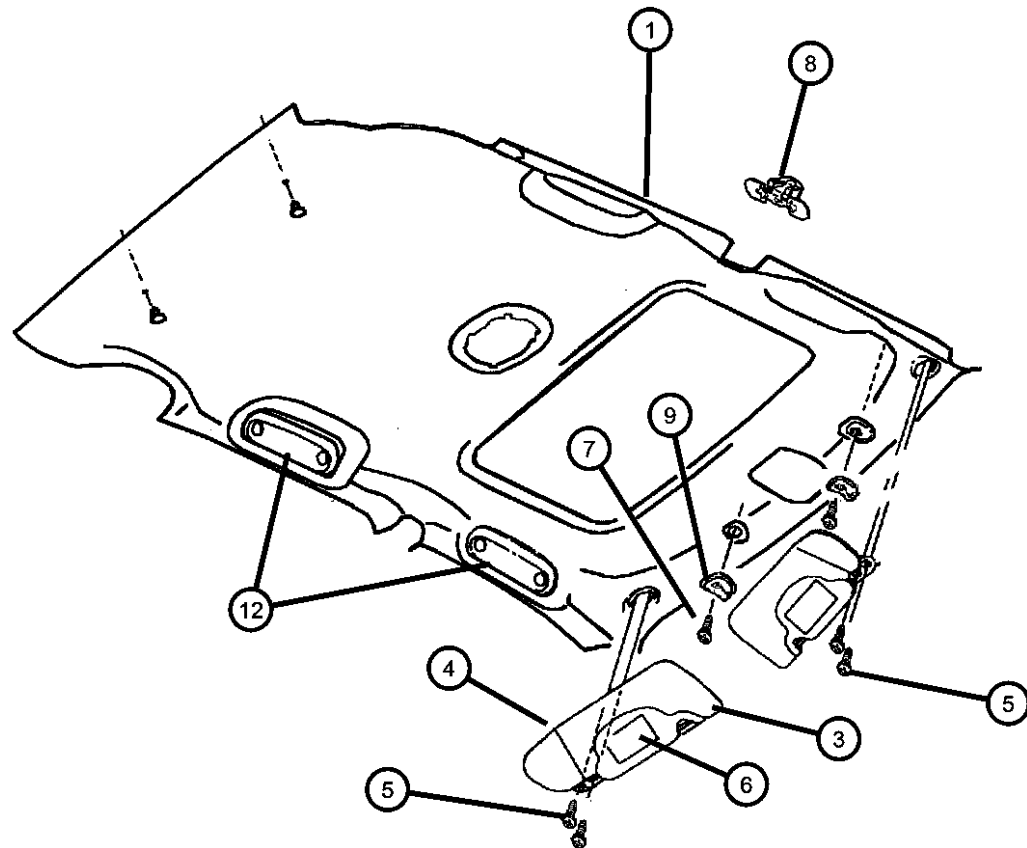
[LSC]=Security Alarm

[GNG]=Mirrore-Rear View with Reading lamp

[GWA]=Sunroof

[CUD] Console - Mini Overhead

[XGD]= Garage Door Opener



1									HEADLINER
	1CG94DW1AA	1			44			*00	Without [CSV] [GWA] [RSP] [LSC] [LCA] [GNC]
	1CG96DW1AA	1			44			*00	With [CSV] [LSC] [LCA] [GNC] , without [GWA] or [RSP]
	1CG98DW1AA	1			44			*00	With [CSV] [GWA] [LCA] [GNC] [LSC] , without [RSP]
	1CG99DW1AA	1			44			*00	With [CSV] [GWA] [LCA] [GNC] , without [RSP] or [LSC]
	1CH00DW1AA	1			44			*00	With [CSV] [LSC] [LCA] , without [GWA] or [RSP] or [GNC]
	1CH01DW1AA	1			44			*00	With [CSV] [RSP] [LCA] [GNC] , without [GWA] or [LSC]
	1CG97DW1AA	1			44			*00	With [CSV] [LCA] [GNC] , without [GWA] or [RSP] or [LSC]
	1CH02DW1AA	1			44			*00	With [CSV] [RSP] [LCA] [GNC] [GWA] , without [LSC]
	1CH03DW1AA	1			44			*00	With [CSV] [LCA] , without [GWA] or [RSP] or [LSC] or [GNC]
-2	05127352AA	1			27				HEADLINER, Convertible Top
3									VISOR, Illuminated
	1CH76DW1AB	1			44			*00	With [GNC] , without [XGD], Right
	1CH77DW1AB	1			44			*00	With [GNC] , without [XGD], Left
	1CH79DK5AA	1			27			*00	[KA] ,With [GNS] [XGD], Left
	1CH79XD-HAA	1			27			*00	[DA] ,With [GNS] [XGD], Left
	1CH80DW1AB	1			44			*00	With [GNC] [XGD], Right
	1CH81DW1AB	1			44			*00	With [GNC] [XGD], Left
	1CH82DK5AA	1			27			*00	[KA] , With [GNS], Right
	1CH82XD-HAA	1			27			*00	[DA] , With [GNS], Right

PT CRUISER (PT)

SERIES	LINE
H = HIGHLINE	C = CHRYSLER
P = PREMIUM	Z = CHRYSLER (RHD)
S = SPORT	
X = SPECIAL	

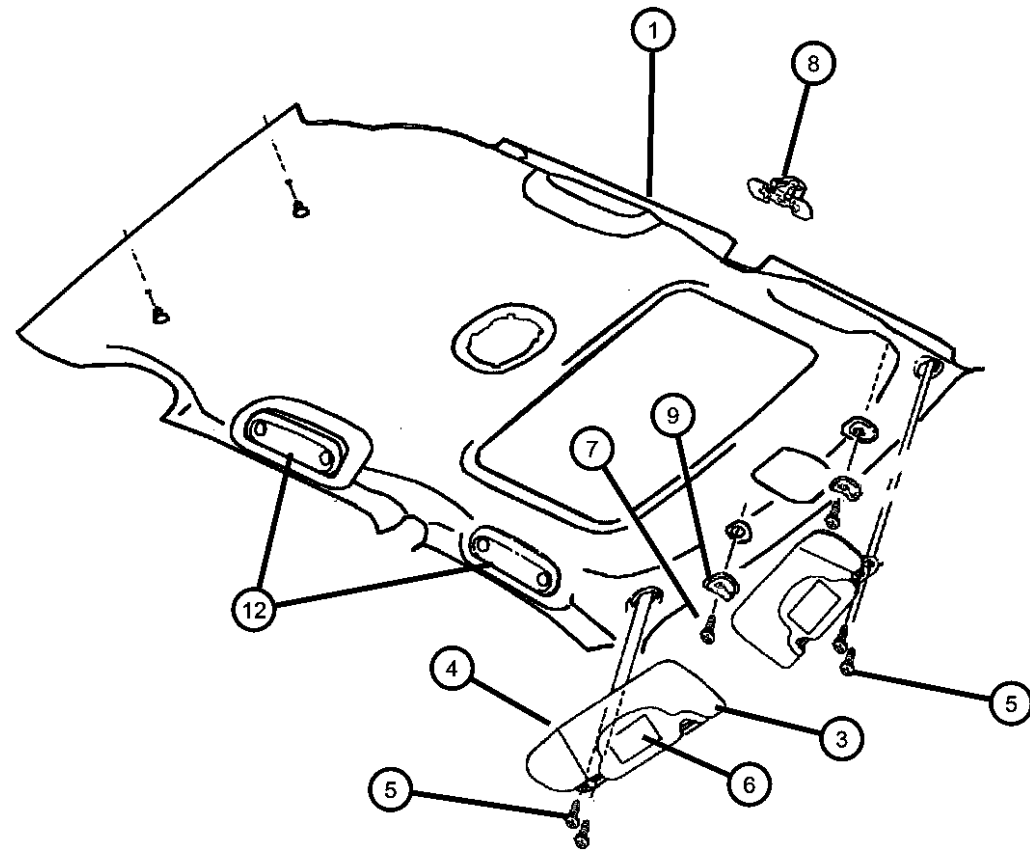
BODY
27 = 2-DR CONVERTIBLE
44 = HATCHBACK/QUAD CAB CHASSIS LWB

ENGINE	TRANSMISSION
EDJ = 2.2L 4 Cyl Turbo Diesel Engine	DGL = 4-Speed Automatic Transmission
EDT = 2.4L 4 Cyl DOHC 16V Turbo Engine	DD5 = 5-Speed Manual Transmission
EDV = 2.4L 4 Cyl DOHC 16V HO Turbo Engine	DDD = 5-Speed HD Manual Transmission
EDZ = 2.4L 4 Cyl DOHC 16V SMPI Engine	
EJD = 1.6L 4 Cyl SOHC 16V SMPI	

AR = use ase required - = Non illustrated part

2006 PT

**Headliner and Visor
Figure IPT-110**



ITEM	PART NUMBER	QTY	LINE	SERIES	BODY	ENGINE	TRANS	TRIM	DESCRIPTION
	1CH83DK5AA	1			27			*00	[KA] ,With [GNS] , without [XGD], Left
	1CH83XD-HAA	1			27			*00	[DA] ,With [GNS] , without [XGD], Left
4	1CH78DW1AB	1			44			*00	With [GNE], Right
	1CH75DW1AB	1			44			*00	With [GNE], Left
5	06035324	4			44				SCREW, .164-18x.75
		2			27				
6	05108000AA	2							LABEL, Air Bag Warning, English and French, English and French
7	05108000AA	2							SCREW, [.164-18x.500], (NOT SERVICED)
8									CLIP, Headlining
	05023515AA	2			27			*00	
	05023515AB	2			44			*00	
9									SUPPORT, Visor
	0XK44XDHAB	2			27			*00	[DA], Right
	0XK45DK5AB	1			27			*00	[KA], Left
	0XK45XDHAB	1			27			*00	[DA], Left
	0XK44DK5AB	2			27			*00	[KA], Right
-10	05023817AA	1			27			*00	BUMPER, Sunvisor
-11	1AY22DW1AA	2			44			*00	FASTENER, HeadlinerRear
12									HANDLE, Roof Grab
	0QY62DW1AE	2			44			*00	Front
	0QY66DW1AD	1			44			*00	Left Rear
	0QY67DW1AD	1			44			*00	Right Rear
-13	0QY61DW1AA	2			44			*00	HOOK, Coat

PT CRUISER (PT)

SERIES LINE
H = HIGHLINE C = CHRYSLER
P = PREMIUM Z = CHRYSLER (RHD)
S = SPORT
X = SPECIAL

BODY
27 = 2-DR CONVERTIBLE
44 = HATCHBACK/QUAD CAB CHASSIS LWB

ENGINE
EDJ = 2.2L 4 Cyl Turbo Diesel Engine
EDT = 2.4L 4 Cyl DOHC 16V Turbo Engine
EDV = 2.4L 4 Cyl DOHC 16V HO Turbo Engine
EDZ = 2.4L 4 Cyl DOHC 16V SMPI Engine
EJD = 1.6L 4 Cyl SOHC 16V SMPI

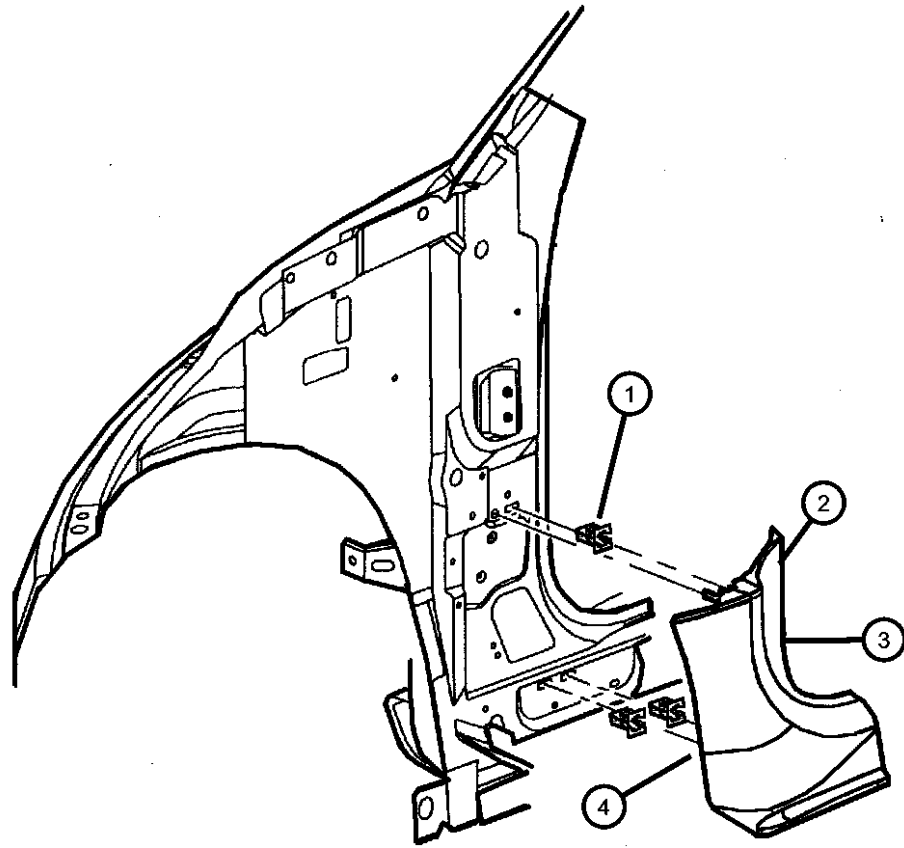
TRANSMISSION
DGL = 4-Speed Automatic Transmission
DD5 = 5-Speed Manual Transmission
DDD = 5-Speed HD Manual Transmission

AR = use ase required - = Non illustrated part

2006 PT

**Cowl Panels
Figure IPT-205**

ITEM	PART NUMBER	QTY	LINE	SERIES	BODY	ENGINE	TRANS	TRIM	DESCRIPTION
1	06505670AA	4			44				NUT, Plastic
2									COVER, Cowl Side
	0RJ48BDAAC	1	C		44			*O0	[DA], Right
	0RJ48DKAAC	1	C		44			*O0	[KA], Right
	0RJ49BDAAC	1	C		44			*O0	[DA], Left
	0RJ49DKAAC	1	C		44			*O0	[KA], Left
	0XC14BDAAA	1			27			*O0	[DA], Right
	0XC14DKAAA	1			27			*O0	[KA], Right
	0XC15DKAAA	1	C		27			*O0	[KA], Left
	0XC15BDAAA	1	C		27			*O0	[DA], Left
3									PANEL, Cowl Side
	0RK08BDAAD	1	Z					*O0	[DA], Right
	0RK08DKAAD	1	Z					*O0	[KA], Right
	0RK09BDAAD	1	Z					*O0	[DA], Left
	0RK09DKAAD	1	Z					*O0	[KA], Left
4									SILENCER, Cowl Side
	05027202AA	1	C						Right
	05027971AA	1	C						Left



PT CRUISER (PT)

SERIES LINE
H = HIGHLINE C = CHRYSLER
P = PREMIUM Z = CHRYSLER (RHD)
S = SPORT
X = SPECIAL

BODY
27 = 2-DR CONVERTIBLE
44 = HATCHBACK/QUAD
CAB CHASSIS LWB

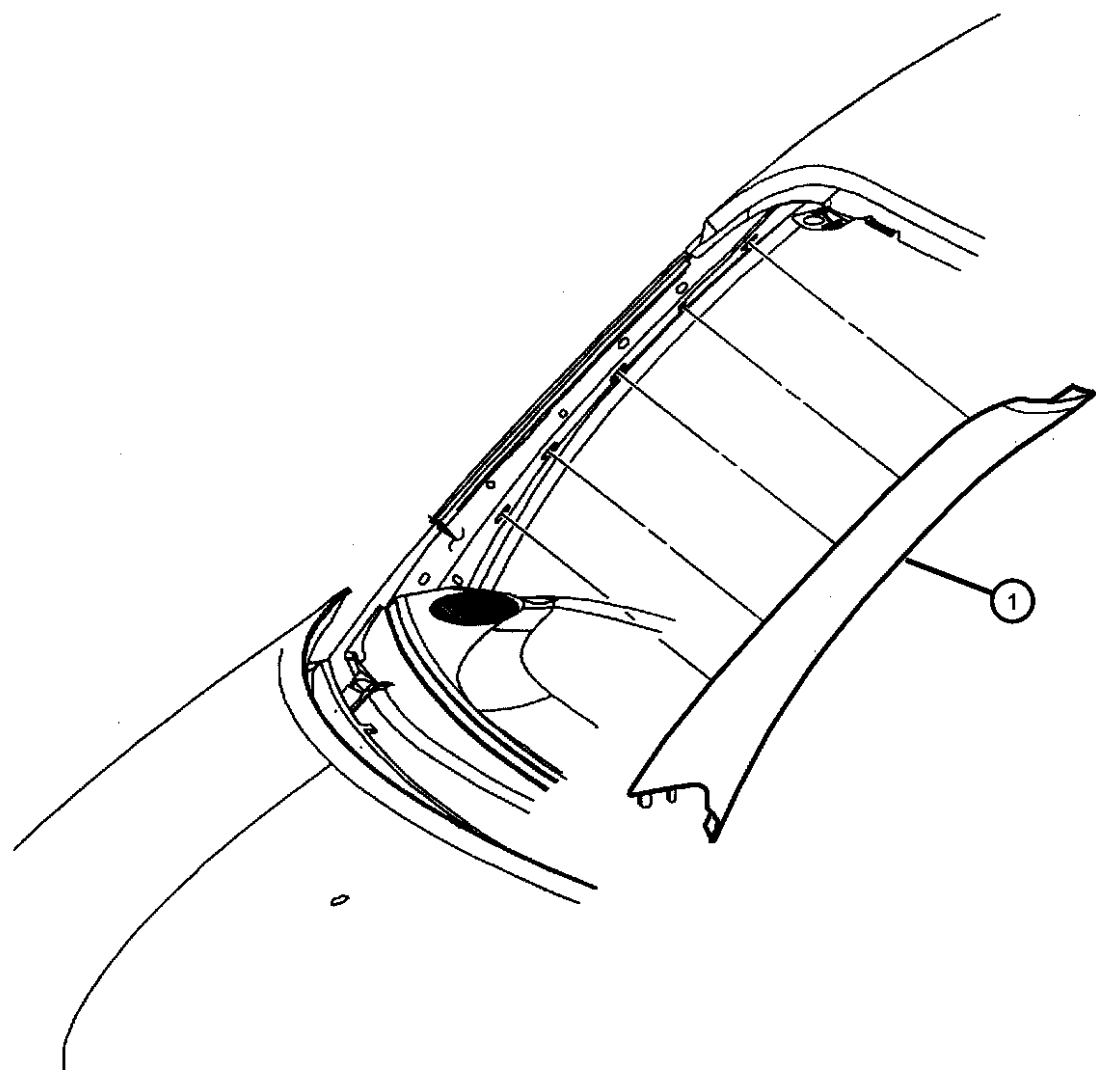
ENGINE TRANSMISSION
EDJ = 2.2L 4 Cyl Turbo Diesel Engine DGL = 4-Speed Automatic Transmission
EDT = 2.4L 4 Cyl DOHC 16V Turbo Engine DD5 = 5-Speed Manual Transmission
EDV = 2.4L 4 Cyl DOHC 16V HO Turbo Engine DDD = 5-Speed HD Manual Transmission
EDZ = 2.4L 4 Cyl DOHC 16V SMPI Engine
EJD = 1.6L 4 Cyl SOHC 16V SMPI

AR = use ase required - = Non illustrated part

2006 PT

**A-Pillar Molding - 44 Body
Figure IPT-210**

ITEM	PART NUMBER	QTY	LINE	SERIES	BODY	ENGINE	TRANS	TRIM	DESCRIPTION
1									MOLDING, Windshield Garnish
	0TF22DW1AE	1			44			*00	Right
	0TF23DW1AE	1			44			*00	Left



PT CRUISER (PT)

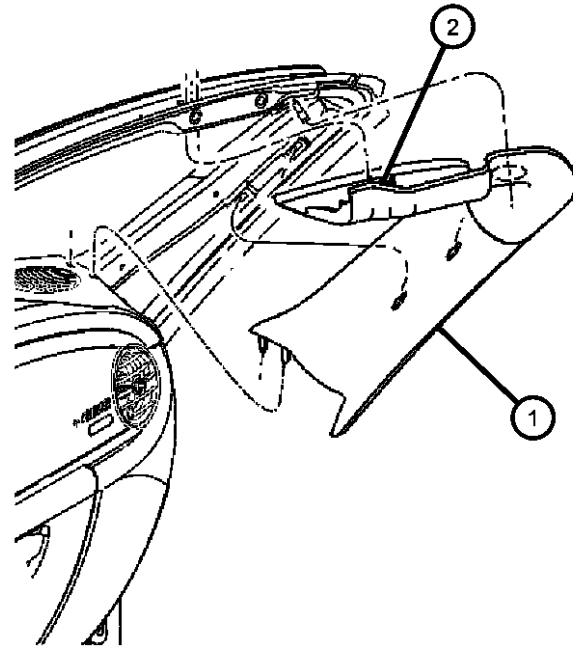
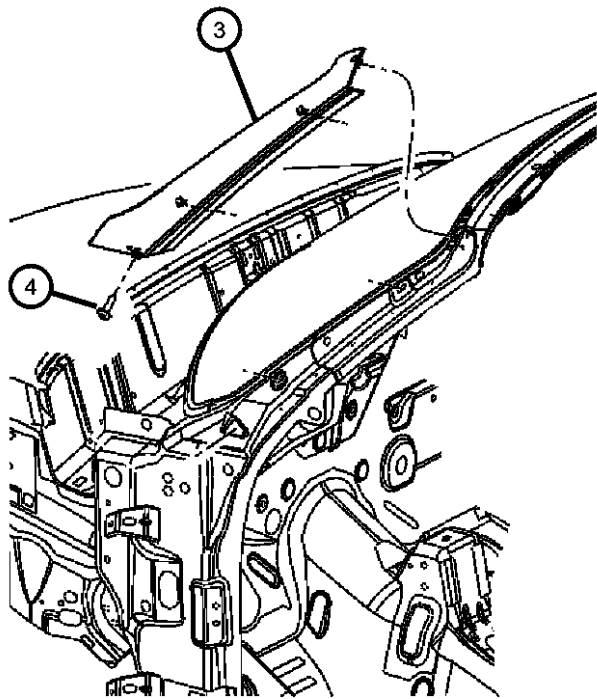
SERIES	LINE	BODY	ENGINE	TRANSMISSION
H = HIGHLINE	C = CHRYSLER	27 = 2-DR CONVERTIBLE	EDJ = 2.2L 4 Cyl Turbo Diesel Engine	DGL = 4-Speed Automatic Transmission
P = PREMIUM	Z = CHRYSLER (RHD)	44 = HATCHBACK/QUAD CAB CHASSIS LWB	EDT = 2.4L 4 Cyl DOHC 16V Turbo Engine	DD5 = 5-Speed Manual Transmission
S = SPORT			EDV = 2.4L 4 Cyl DOHC 16V HO Turbo Engine	DDD = 5-Speed HD Manual Transmission
X = SPECIAL			EDZ = 2.4L 4 Cyl DOHC 16V SMPI Engine	
			EJD = 1.6L 4 Cyl SOHC 16V SMPI	

AR = use ase required - = Non illustrated part

2006 PT

**A-Pillar Molding - 27 Body
Figure IPT-215**

ITEM	PART NUMBER	QTY	LINE	SERIES	BODY	ENGINE	TRANS	TRIM	DESCRIPTION
1									MOLDING, A-PILLAR
	1BB40DK5AA	1			27			*O0	[KA], Right
	1BB40XDHAA	1			27			*O0	[DA], Right
	1BB41DK5AA	1			27			*O0	[KA], Left
	1BB41XDHAA	1			27			*O0	[DA], Left
2	06503167	2			27			*O0	CLIP, Trim Panel
3									MOLDING, A-PILLAR
	0XC40TZZAG	1			27				Right
	0XC41TZZAG	1			27				Left
4	06036070AA	4			27				SCREW AND WASHER, Round Head, .164-18x.625



PT CRUISER (PT)

SERIES LINE
H = HIGHLINE C = CHRYSLER
P = PREMIUM Z = CHRYSLER (RHD)
S = SPORT
X = SPECIAL

BODY
27 = 2-DR CONVERTIBLE
44 = HATCHBACK/QUAD
CAB CHASSIS LWB

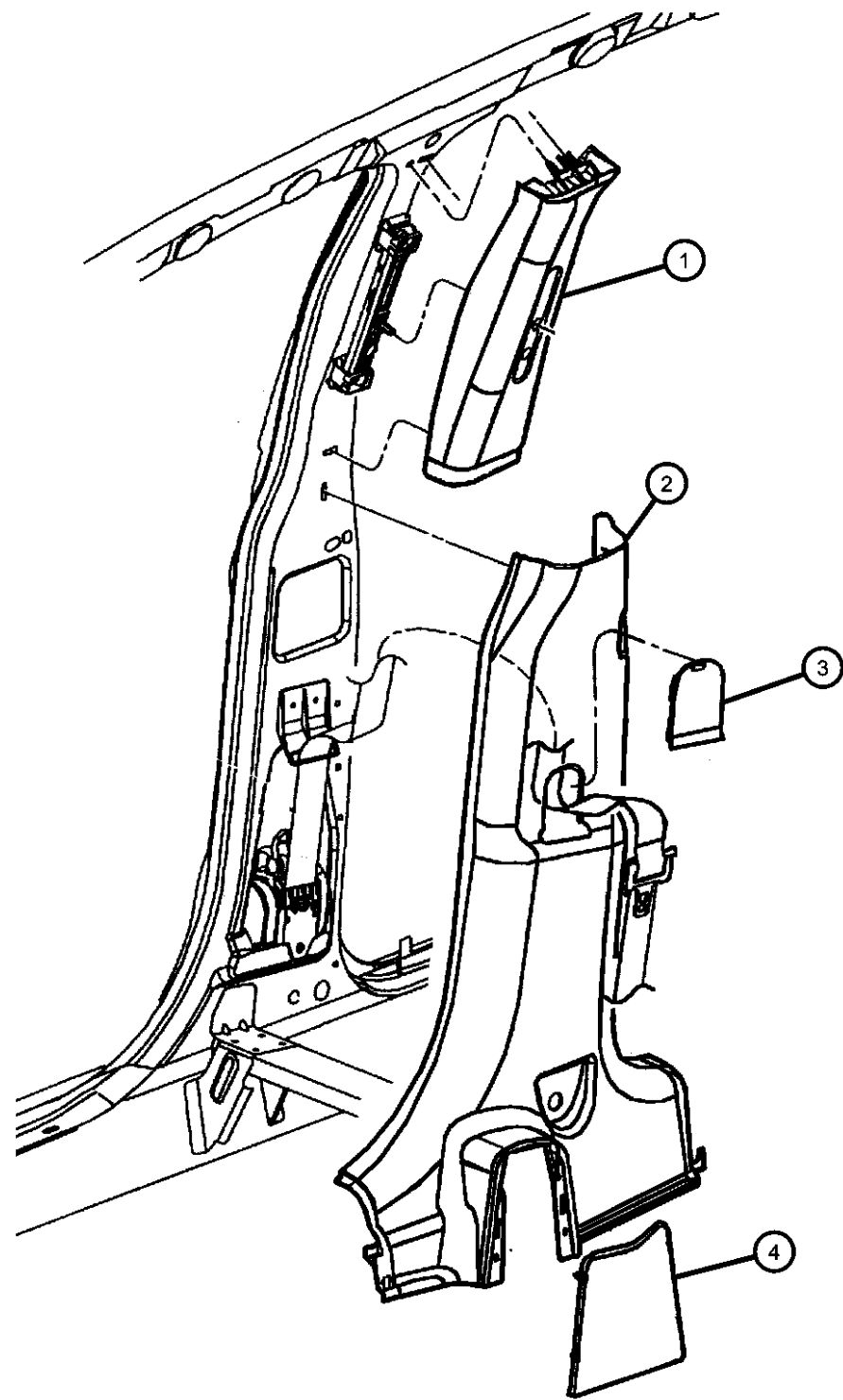
ENGINE
EDJ = 2.2L 4 Cyl Turbo Diesel Engine
EDT = 2.4L 4 Cyl DOHC 16V Turbo Engine
EDV = 2.4L 4 Cyl DOHC 16V HO Turbo Engine
EDZ = 2.4L 4 Cyl DOHC 16V SMPI Engine
EJD = 1.6L 4 Cyl SOHC 16V SMPI

TRANSMISSION
DGL = 4-Speed Automatic Transmission
DD5 = 5-Speed Manual Transmission
DDD = 5-Speed HD Manual Transmission

AR = use ase required - = Non illustrated part

2006 PT

**B-Pillar Molding
Figure IPT-220**



ITEM	PART NUMBER	QTY	LINE	SERIES	BODY	ENGINE	TRANS	TRIM	DESCRIPTION
1	0UG98DW1AC	1			44			*O0	COVER, Center Pillar Right
	0UG99DW1AC	1			44			*O0	Left
2	0ZG80BDAAB	1			44			*O0	COVER, B Pillar [DA], Right
	0ZG80DKAAB	1			44			*O0	[KA], Right
	0ZG81BDAAB	1			44			*O0	[DA], Left
	0ZG81DKAAB	1			44			*O0	[KA], Left
3	0SG96BDAAA	1			44			*O0	COVER, Seat Belt Access Hole [DA], Right
	0SG96DKAAA	1			44			*O0	[KA], Right
	0SG97BDAAA	1			44			*O0	[DA], Left
	0SG97DKAAA	1			44			*O0	[KA], Left
4	0SG98BDAAB	1			44			*O0	COVER, Sill Plate [DA], Right
	0SG98DKAAB	1			44			*O0	[KA], Right
	0SG99BDAAB	1			44			*O0	[DA], Left
	0SG99DKAAB	1			44			*O0	[KA], Left

PT CRUISER (PT)

SERIES LINE
H = HIGHLINE C = CHRYSLER
P = PREMIUM Z = CHRYSLER (RHD)
S = SPORT
X = SPECIAL

BODY
27 = 2-DR CONVERTIBLE
44 = HATCHBACK/QUAD
CAB CHASSIS LWB

ENGINE
EDJ = 2.2L 4 Cyl Turbo Diesel Engine
EDT = 2.4L 4 Cyl DOHC 16V Turbo Engine
EDV = 2.4L 4 Cyl DOHC 16V HO Turbo Engine
EDZ = 2.4L 4 Cyl DOHC 16V SMPI Engine
EJD = 1.6L 4 Cyl SOHC 16V SMPI

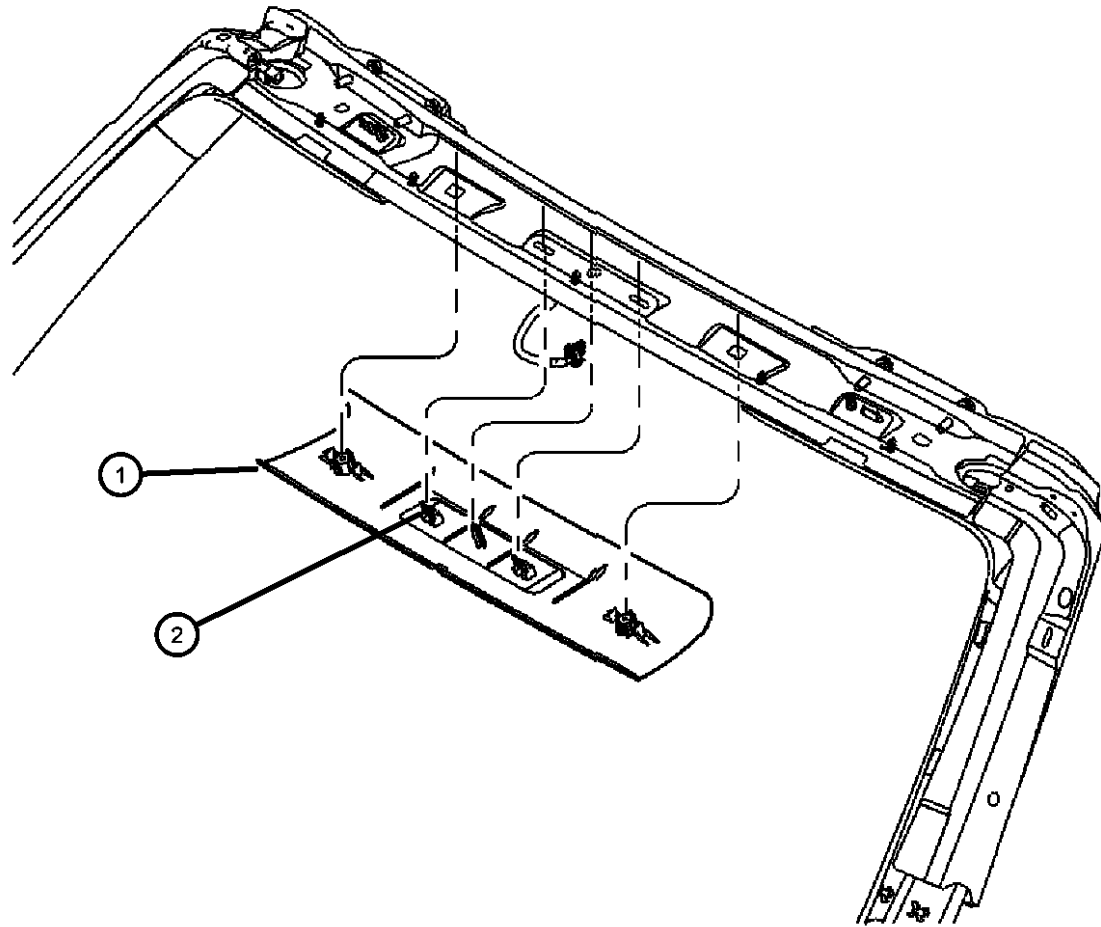
TRANSMISSION
DGL = 4-Speed Automatic Transmission
DD5 = 5-Speed Manual Transmission
DDD = 5-Speed HD Manual Transmission

AR = use ase required - = Non illustrated part

2006 PT

Molding - Front Header
Figure IPT-225

ITEM	PART NUMBER	QTY	LINE	SERIES	BODY	ENGINE	TRANS	TRIM	DESCRIPTION
1	0XB97DK5AB	1			27			*O0	MOLDING, Front Header [KA]
	0XB97XDHAB	1			27			*O0	[DA]
2	06503167	2			27			*O0	CLIP, Trim Panel



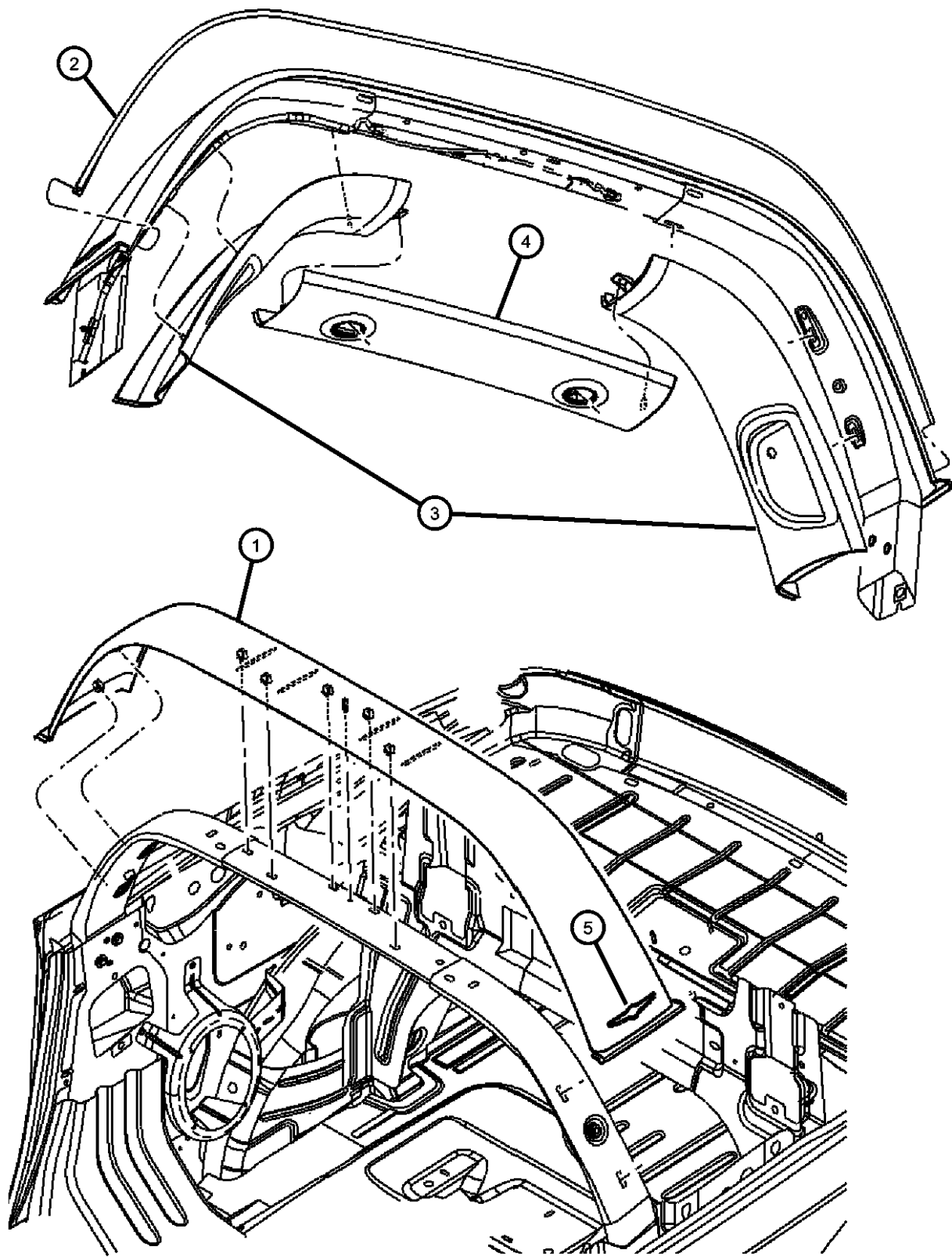
PT CRUISER (PT)

SERIES	LINE	BODY	ENGINE	TRANSMISSION
H = HIGHLINE	C = CHRYSLER	27 = 2-DR CONVERTIBLE	EDJ = 2.2L 4 Cyl Turbo Diesel Engine	DGL = 4-Speed Automatic Transmission
P = PREMIUM	Z = CHRYSLER (RHD)	44 = HATCHBACK/QUAD CAB CHASSIS LWB	EDT = 2.4L 4 Cyl DOHC 16V Turbo Engine	DD5 = 5-Speed Manual Transmission
S = SPORT			EDV = 2.4L 4 Cyl DOHC 16V HO Turbo Engine	DDD = 5-Speed HD Manual Transmission
X = SPECIAL			EDZ = 2.4L 4 Cyl DOHC 16V SMPI Engine	
			EJD = 1.6L 4 Cyl SOHC 16V SMPI	

AR = use ase required - = Non illustrated part

2006 PT

**Sport Bar
Figure IPT-230**



ITEM	PART NUMBER	QTY	LINE	SERIES	BODY	ENGINE	TRANS	TRIM	DESCRIPTION
1	0XC38TZAA	1			27				COVER, Sport Bar
2									WELT, Sport Bar
	0XM68DK5AB	2			27			*00	[KA]
	0XM68XD-HAB	2			27			*00	[DA]
3									COVER, Center Pillar
	0XC02DK5AA	1			27			*00	[KA], Right
	0XC02XD-HAA	1			27			*00	[DA], Right
	0XC03DK5AA	1			27			*00	[KA], Left
	0XC03XD-HAA	1			27			*00	[DA], Left
4									COVER, Center Pillar
	0XC04DK5AB	1			27			*00	[KA]
	0XC04XD-HAB	1			27			*00	[DA]
5	05023818AA	2			27				NAMEPLATE, Sport Bar, Chrysler Winged Emblem

PT CRUISER (PT)

SERIES LINE
H = HIGHLINE C = CHRYSLER
P = PREMIUM Z = CHRYSLER (RHD)
S = SPORT
X = SPECIAL

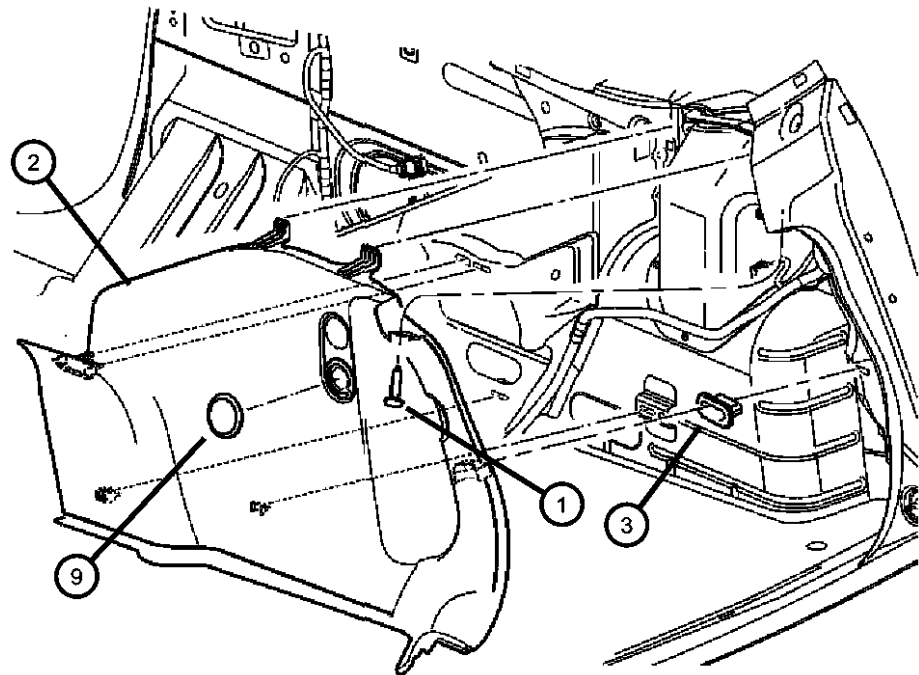
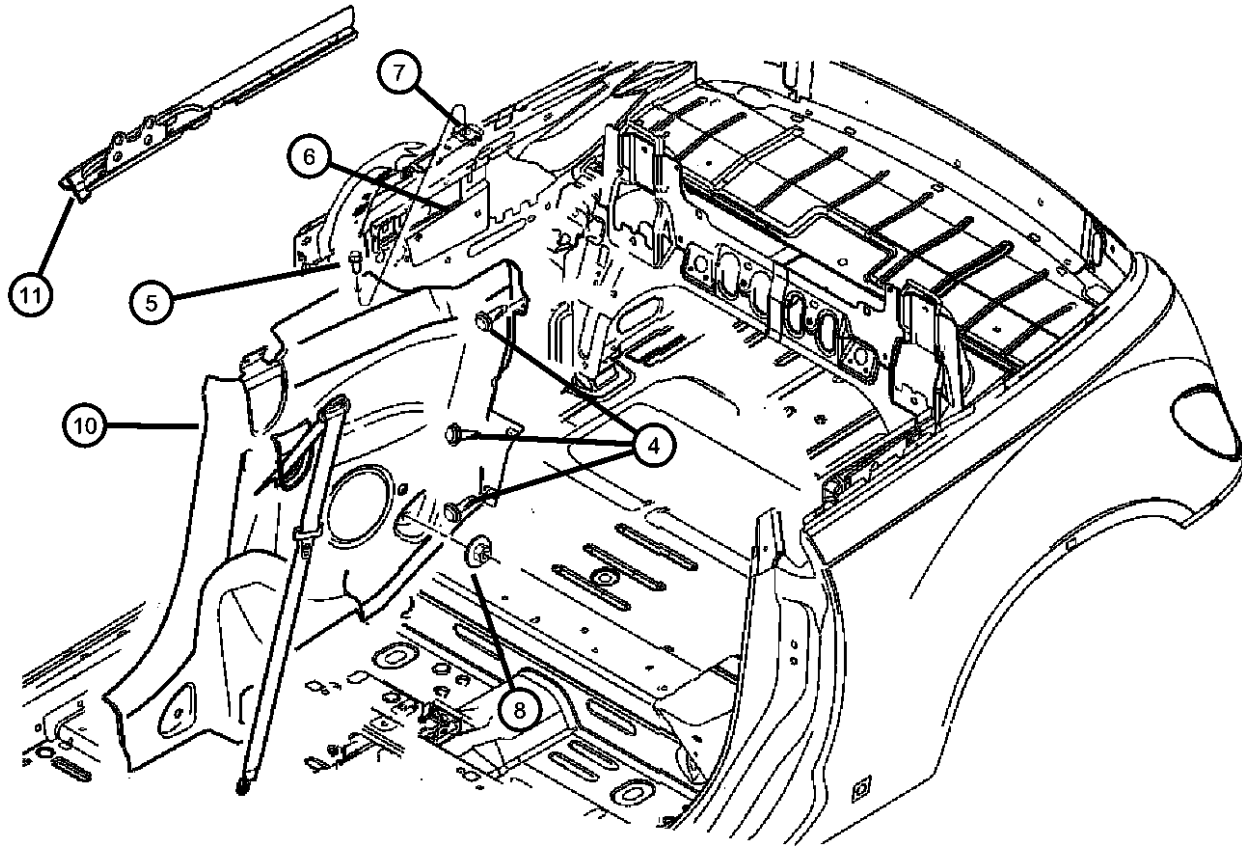
BODY
27 = 2-DR CONVERTIBLE
44 = HATCHBACK/QUAD
CAB CHASSIS LWB

ENGINE TRANSMISSION
EDJ = 2.2L 4 Cyl Turbo Diesel Engine
EDT = 2.4L 4 Cyl DOHC 16V Turbo Engine
EDV = 2.4L 4 Cyl DOHC 16V HO Turbo Engine
EDZ = 2.4L 4 Cyl DOHC 16V SMPI Engine
EJD = 1.6L 4 Cyl SOHC 16V SMPI
DGL = 4-Speed Automatic Transmission
DD5 = 5-Speed Manual Transmission
DDD = 5-Speed HD Manual Transmission

AR = use ase required - = Non illustrated part

2006 PT

Quarter Panel - 27 Body
Figure IPT-235



ITEM	PART NUMBER	QTY	LINE	SERIES	BODY	ENGINE	TRANS	TRIM	DESCRIPTION
Sales Codes [XJX] = Cargo Retention Divider									
1	06030441	1							PIN, Retainer
2									PANEL, Cargo compartment
	0XC24BDAAA	1			27			*00	[DA], Without [XJX], Right
	0XC24DKAAA	1			27			*00	[KA], Without [XJX], Right
	0XC25BDAAA	1			27			*00	[DA], Without [XJX], Left
	0XC25DKAAA	1			27			*00	[KA], Without [XJX], Left
	0YS00BDAAA	1			27			*00	[DA], With [XJX], Right
	0YS00DKAAA	1			27			*00	[KA], With [XJX], Right
	0YS01BDAAA	1			27			*00	[DA], With [XJX], Left
	0YS01DKAAA	1			27			*00	[KA], With [XJX], Left
3	06505670AA	6			27				NUT, Plastic
4	06030441	3	C		27				PIN, Retainer
5	06036589AA	2			27				SCREW, Button Head
6									BRACKET, Quarter Trim
	05023784AB	1			27				Right
	05023785AB	1			27				Left
7	06104733AA	2			27				NUT
8	06036545AA	2			27				NUT, Round, .437-20
9									PLUG, 12 V-Outlet
	0HX32BDAAB	1			27			*00	[DA]
	0HX32DKAAB	1			27			*00	[KA]
10									PANEL, Quarter Trim
	1BC10BDAAA	1			27			*00	[DA], Right
	1BC10DKAAA	1			27			*00	[KA], Right
	1BC11BDAAA	1			27			*00	[DA], Left
	1BC11DKAAA	1			27			*00	[KA], Left
11									WEATHERSTRIP, Rear Quarter Window
	05067664AD	1	C		27				Right
	05067665AD	1	C		27				Left

PT CRUISER (PT)

SERIES LINE
H = HIGHLINE C = CHRYSLER
P = PREMIUM Z = CHRYSLER (RHD)
S = SPORT
X = SPECIAL

BODY
27 = 2-DR CONVERTIBLE
44 = HATCHBACK/QUAD
CAB CHASSIS LWB

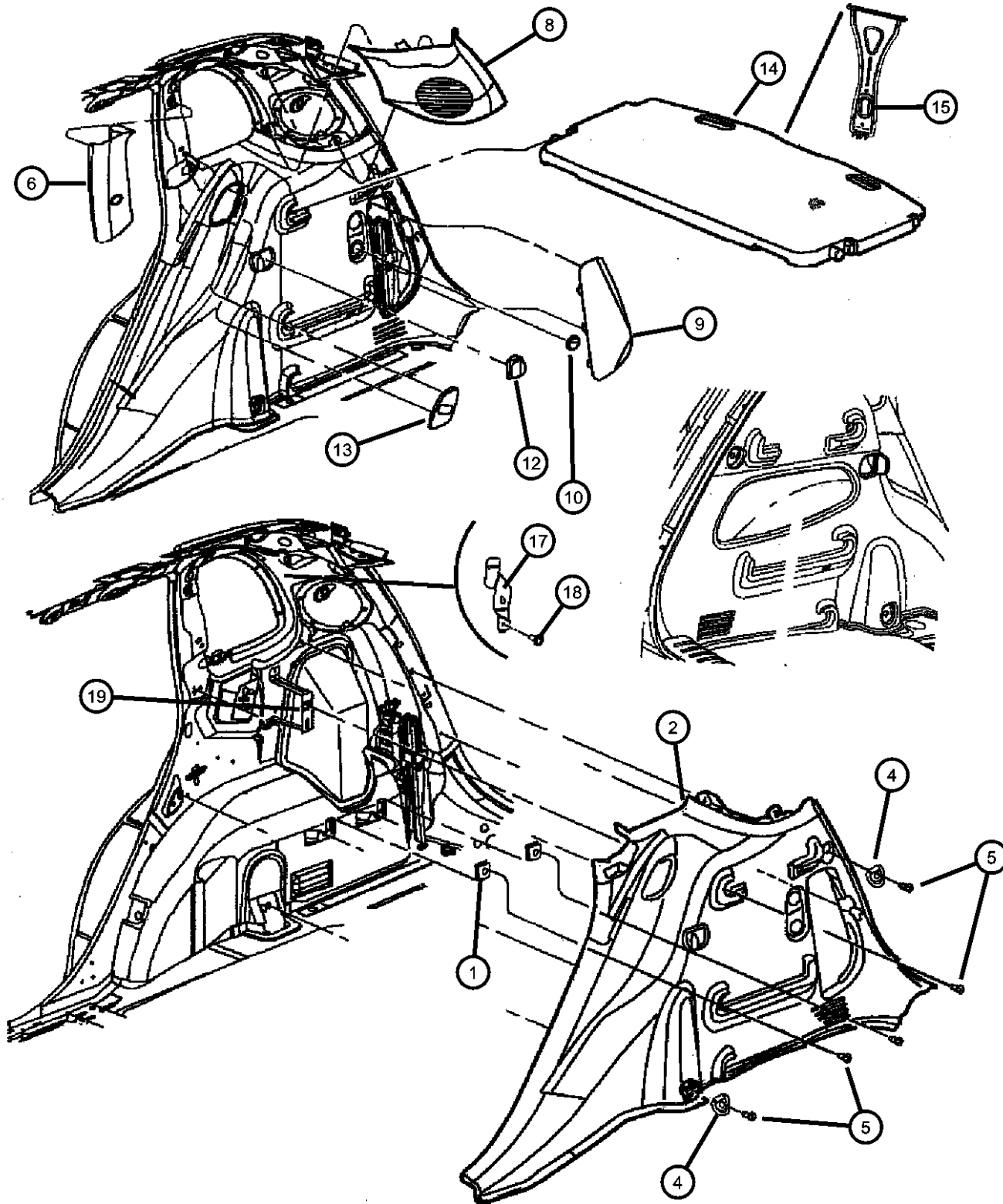
ENGINE
EDJ = 2.2L 4 Cyl Turbo Diesel Engine
EDT = 2.4L 4 Cyl DOHC 16V Turbo Engine
EDV = 2.4L 4 Cyl DOHC 16V HO Turbo Engine
EDZ = 2.4L 4 Cyl DOHC 16V SMPI Engine
EJD = 1.6L 4 Cyl SOHC 16V SMPI

TRANSMISSION
DGL = 4-Speed Automatic Transmission
DD5 = 5-Speed Manual Transmission
DDD = 5-Speed HD Manual Transmission

AR = use ase required - = Non illustrated part

2006 PT

**Quarter Trim Panel and Shelve Panel
Figure IPT-240**



ITEM	PART NUMBER	QTY	LINE	SERIES	BODY	ENGINE	TRANS	TRIM	DESCRIPTION
Sales Codes [RC1] = 6 Infinity Speakers [RC2] = 6 Boston Acoustics Speakers [RCG] = 6 Premium Speakers [RCV] = 6 Ingibity Speakers with Subwoofer									
1	06503167	3			44			*00	CLIP, Trim Panel
2									PANEL, Quarter Trim
	0RJ74BDAAD	1			44			*00	[DA], Right
	0RJ74DKAAD	1			44			*00	[KA], Right
	0RJ75BDAAF	1			44			*00	[DA], With [RC1] or [RCG], Left
	0RJ75DKAAF	1			44			*00	[KA], With [RC1] or [RCG], Left
	1AF53BDAAA	1			44			*00	[DA], With [RCV], Left
		1			44			*00	[DA], With [RC2], Left
	1AF53DKAAA	1			44			*00	[KA], With [RCV], Left
		1			44			*00	[KA], With [RC2], Left
-3	06504014	2			44			*00	FASTENER, Door Trim PanelQuarter Trim Panel LOOP, Cargo Tie Down
4	05027006AB	2							SCREW, Cargo Loop Quarter Trim Lower (.190-16x1,00), (NOT SERVICED)
5	05027006AB	2							PANEL, C Pillar
6									Right
	1BQ82DW1AA	1			44			*00	Left
	1BQ83DW1AA	1			44			*00	BUMPER, Rubber
-7									[DA]
	0SQ91BDAAA	1			44			*00	[KA]
	0SQ91DKAAA	1			44			*00	PANEL, D Pillar
8									Right
	0ZG84DW1AA	1			44			*00	Left
	0ZG85DW1AA	1			44			*00	DOOR, Jack Access
9									[DA]
	0SG44BDAAA	1			44			*00	[KA]
	0SG44DKAAA	1			44			*00	PLUG, 12 V-Outlet
10									

PT CRUISER (PT)

SERIES LINE
H = HIGHLINE C = CHRYSLER
P = PREMIUM Z = CHRYSLER (RHD)
S = SPORT
X = SPECIAL

BODY
27 = 2-DR CONVERTIBLE
44 = HATCHBACK/QUAD
CAB CHASSIS LWB

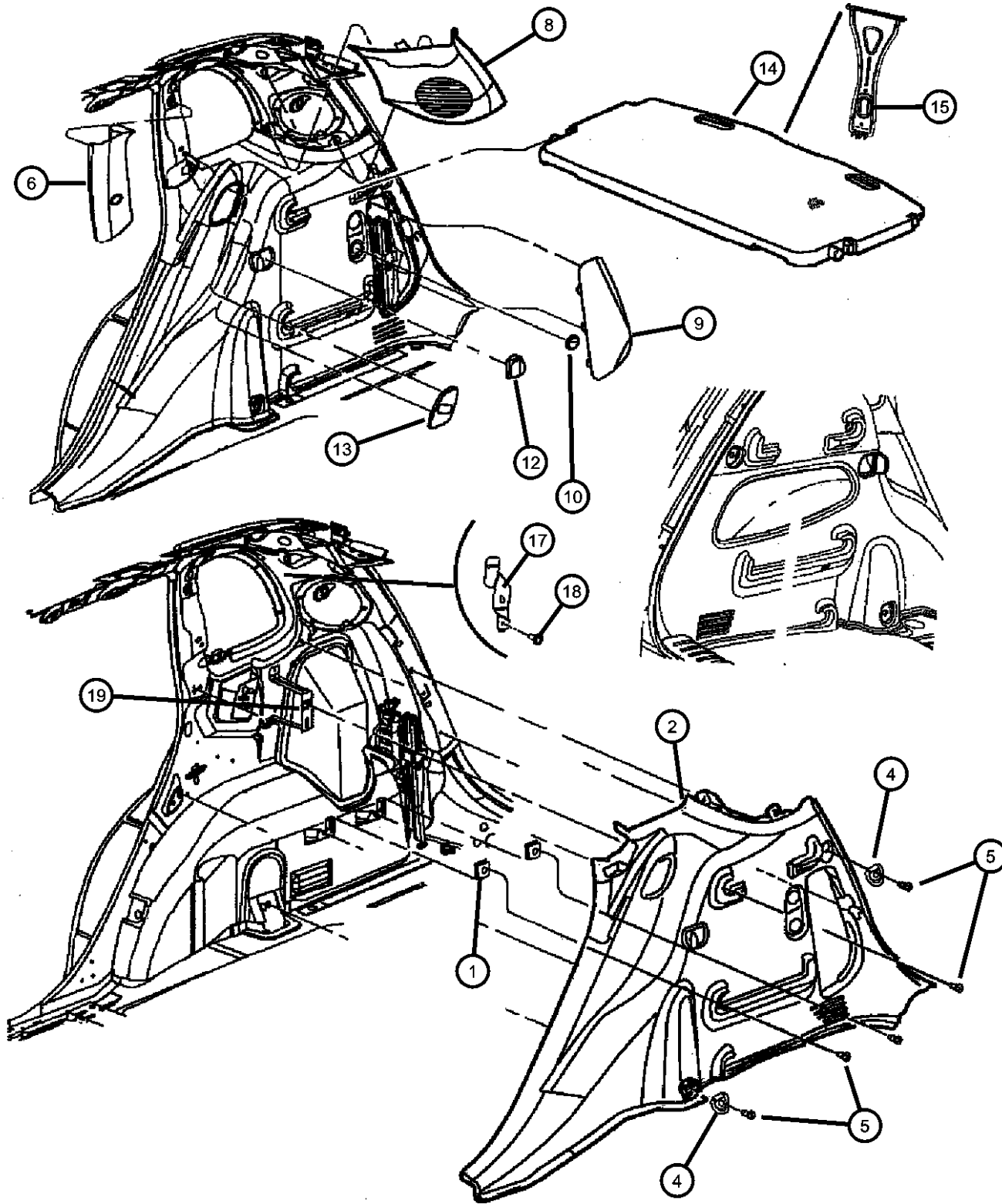
ENGINE
EDJ = 2.2L 4 Cyl Turbo Diesel Engine
EDT = 2.4L 4 Cyl DOHC 16V Turbo Engine
EDV = 2.4L 4 Cyl DOHC 16V HO Turbo Engine
EDZ = 2.4L 4 Cyl DOHC 16V SMPI Engine
EJD = 1.6L 4 Cyl SOHC 16V SMPI

TRANSMISSION
DGL = 4-Speed Automatic Transmission
DD5 = 5-Speed Manual Transmission
DDD = 5-Speed HD Manual Transmission

AR = use ase required - = Non illustrated part

2006 PT

**Quarter Trim Panel and Shelve Panel
Figure IPT-240**



ITEM	PART NUMBER	QTY	LINE	SERIES	BODY	ENGINE	TRANS	TRIM	DESCRIPTION
	0HX32BDAAB	1						*00	[DA]
	0HX32DKAAB	1			44			*00	[KA]
-11	04685591AE	1							CAP, Power Outlet
12	04685591AE	1							BUMPER, Rear, (NOT SERVICED)
13									PLATE, Striker
	0SF56BDAAA	1			44			*00	[DA], Right
	0SF56DKAAA	1			44			*00	[KA], Right
	0SF57BDAAA	1			44			*00	[DA], Left
	0SF57DKAAA	1			44			*00	[KA], Left
14									PANEL, Shelf Trim
	0SG491DAAB	1			44			*00	[DA]
	0SG491KAAB	1			44			*00	[KA]
15									SUPPORT, Rear Shelf Panel
	0SR57XXXAC	1			44			*00	[DA]
		1			44			*00	[KA]
-16	06036497AA	2			44			*00	CLIP, Molding
17									BRACKET, D Pillar
	05023560AA	1			44				Right
	05023561AA	1			44				Left
18	06032452	2						*00	SCREW, Self Piercing, .164-15x.625
19	04724724AA	2			44				BRACKET, Quarter Trim

PT CRUISER (PT)

SERIES LINE
H = HIGHLINE C = CHRYSLER
P = PREMIUM Z = CHRYSLER (RHD)
S = SPORT
X = SPECIAL

BODY
27 = 2-DR CONVERTIBLE
44 = HATCHBACK/QUAD
CAB CHASSIS LWB

ENGINE
EDJ = 2.2L 4 Cyl Turbo Diesel Engine
EDT = 2.4L 4 Cyl DOHC 16V Turbo Engine
EDV = 2.4L 4 Cyl DOHC 16V HO Turbo Engine
EDZ = 2.4L 4 Cyl DOHC 16V SMPI Engine
EJD = 1.6L 4 Cyl SOHC 16V SMPI

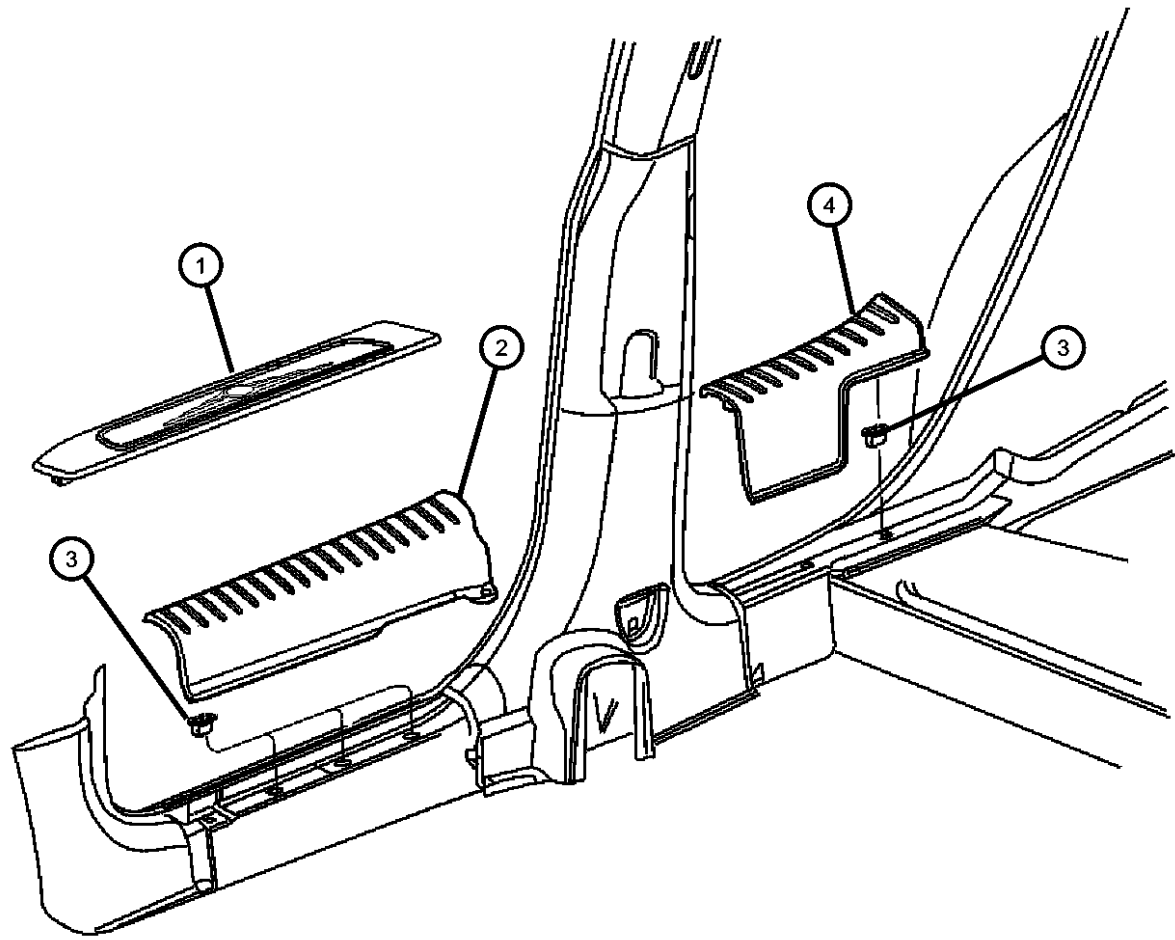
TRANSMISSION
DGL = 4-Speed Automatic Transmission
DD5 = 5-Speed Manual Transmission
DDD = 5-Speed HD Manual Transmission

AR = use ase required - = Non illustrated part

2006 PT

**Scuff Plate - 44 Body
Figure IPT-245**

ITEM	PART NUMBER	QTY	LINE	SERIES	BODY	ENGINE	TRANS	TRIM	DESCRIPTION
1									PLATE, Scuff
	0ZL921X9AA	1			44			*O0	Winged Badge, Right
	0ZL931X9AA	1			44			*O0	Winged Badge, Left
2									PLATE, Scuff
	0RJ42BDAAD	1			44			*O0	[DA], Right
	0RJ42DKAAD	1			44			*O0	[KA], Right
	0RJ43BDAAD	1			44			*O0	[DA], Left
	0RJ43DKAAD	1			44			*O0	[KA], Left
3	06505670AA	6							NUT, Plastic, Sill Scuff Plate Attaching
4									PLATE, Scuff
	0RJ44BDAAE	1			44			*O0	[DA], Right
	0RJ44DKAAE	1			44			*O0	[KA], Right
	0RJ45BDAAE	1			44			*O0	[DA]
	0RJ45DKAAE	1			44			*O0	[KA], Left



PT CRUISER (PT)

SERIES LINE
H = HIGHLINE C = CHRYSLER
P = PREMIUM Z = CHRYSLER (RHD)
S = SPORT
X = SPECIAL

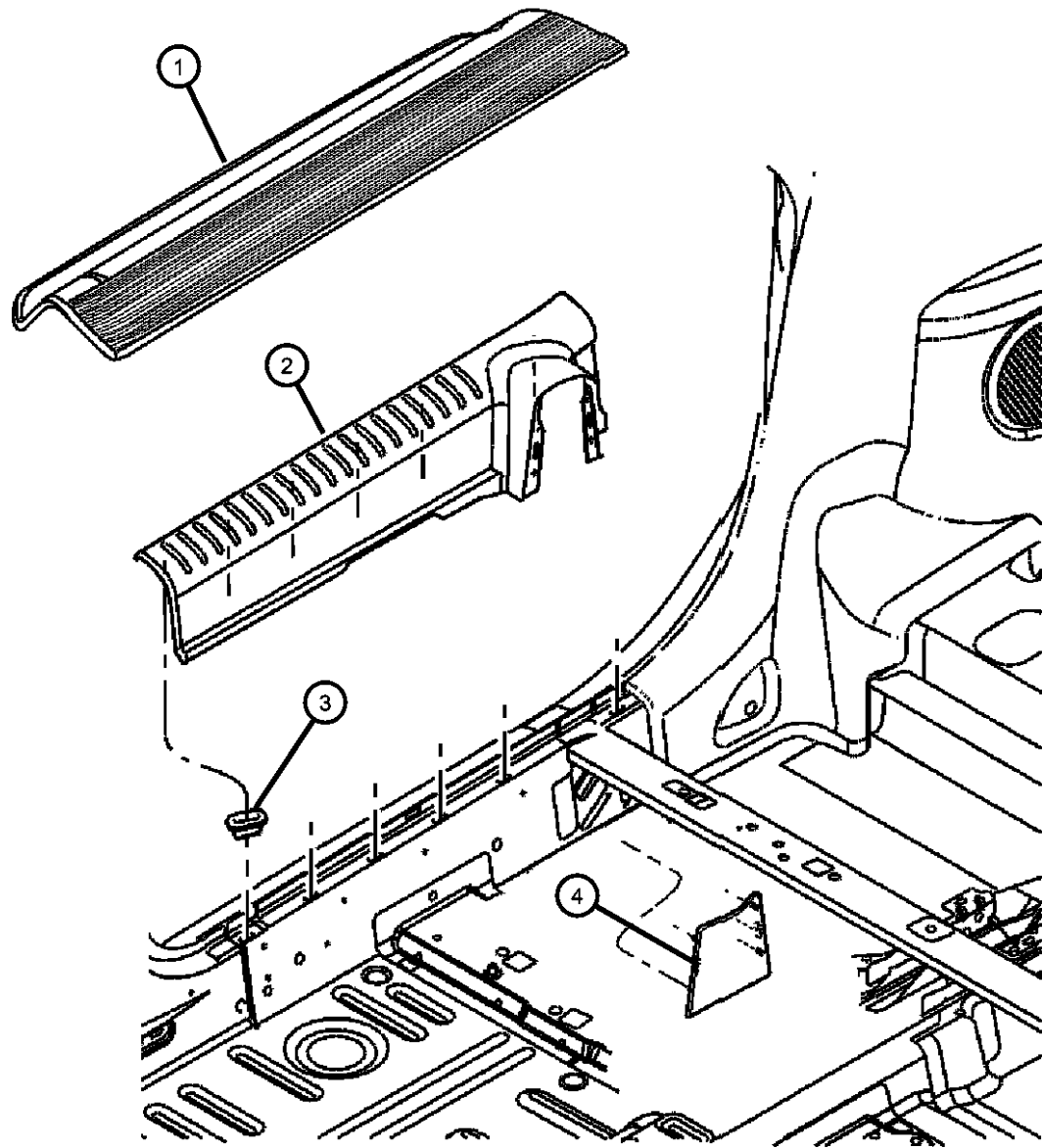
BODY
27 = 2-DR CONVERTIBLE
44 = HATCHBACK/QUAD
CAB CHASSIS LWB

ENGINE TRANSMISSION
EDJ = 2.2L 4 Cyl Turbo Diesel Engine DGL = 4-Speed Automatic Transmission
EDT = 2.4L 4 Cyl DOHC 16V Turbo Engine DD5 = 5-Speed Manual Transmission
EDV = 2.4L 4 Cyl DOHC 16V HO Turbo Engine DDD = 5-Speed HD Manual Transmission
EDZ = 2.4L 4 Cyl DOHC 16V SMPI Engine
EJD = 1.6L 4 Cyl SOHC 16V SMPI

AR = use ase required - = Non illustrated part

2006 PT

Scuff Plate - 27 Body
Figure IPT-250



ITEM	PART NUMBER	QTY	LINE	SERIES	BODY	ENGINE	TRANS	TRIM	DESCRIPTION
1	1AX26DX9AB	1			27			*00	PLATE, Scuff Right
	1AX27DX9AB	1			27			*00	Left
2	0XC06BDAAA	1			27			*00	PLATE, Scuff [DA], Right
	0XC06DKAAA	1			27			*00	[KA], Right
	0XC07BDAAA	1			27			*00	[DA], Left
	0XC07DKAAA	1			27			*00	[KA], Left
3	06505670AA	6			27				NUT, Plastic
4	0SG98BDAAB	1			27			*00	COVER, Sill Plate [DA], Right
	0SG98DKAAB	1			27			*00	[KA], Right
	0SG99BDAAB	1			27			*00	[DA], Left
	0SG99DKAAB	1			27			*00	[KA], Left

PT CRUISER (PT)

SERIES LINE
H = HIGHLINE C = CHRYSLER
P = PREMIUM Z = CHRYSLER (RHD)
S = SPORT
X = SPECIAL

BODY
27 = 2-DR CONVERTIBLE
44 = HATCHBACK/QUAD
CAB CHASSIS LWB

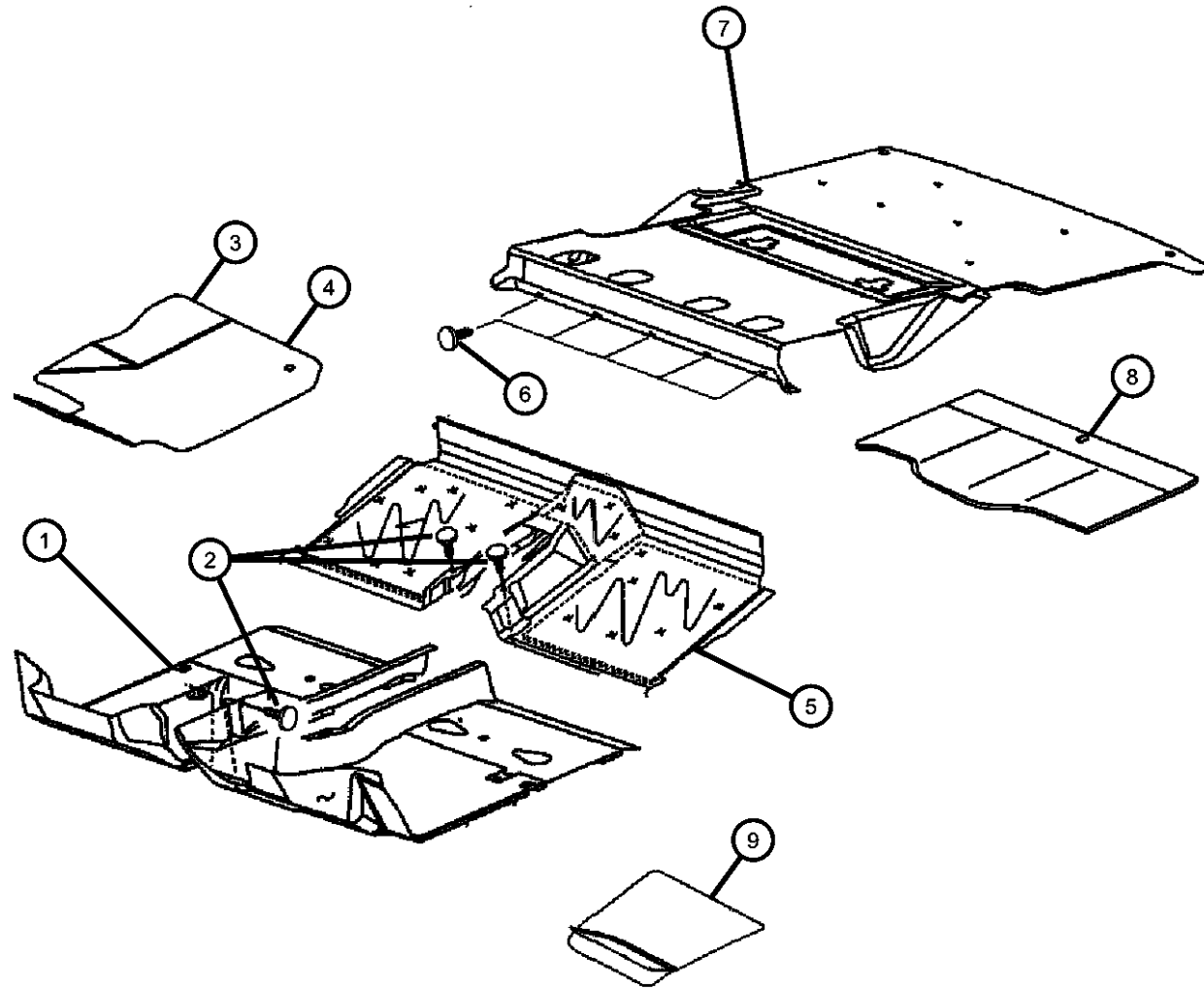
ENGINE
EDJ = 2.2L 4 Cyl Turbo Diesel Engine
EDT = 2.4L 4 Cyl DOHC 16V Turbo Engine
EDV = 2.4L 4 Cyl DOHC 16V HO Turbo Engine
EDZ = 2.4L 4 Cyl DOHC 16V SMPI Engine
EJD = 1.6L 4 Cyl SOHC 16V SMPI

TRANSMISSION
DGL = 4-Speed Automatic Transmission
DD5 = 5-Speed Manual Transmission
DDD = 5-Speed HD Manual Transmission

AR = use ase required - = Non illustrated part

2006 PT

**Carpets and Mats - 27 Body
Figure IPT-305**



ITEM	PART NUMBER	QTY	LINE	SERIES	BODY	ENGINE	TRANS	TRIM	DESCRIPTION
1									CARPET, Passenger Floor
	0TX15BD5AL	1	C					*00	[DA] , With [EAG], Left
	0TX15DK5AL	1	C					*00	[KA] , With [EAG], Left
	0UY02BD5AH	1	Z					*00	[DA] , With [EAG], Right
	0UY02DK5AH	1	Z					*00	[KA] , With [EAG], Right
	0UY03BD5AF	1	Z					*00	[DA] , With [EAG], Left
	0UY03DK5AF	1	Z					*00	[KA] , With [EAG], Left
	0UY04BD5AH	1	Z					*00	[DA] , With [EAD], Right
	0UY04DK5AH	1	Z					*00	[KA] , With [EAD], Right
	0UY05BD5AF	1	Z					*00	[DA] , With [EAD], Left
	0UY05DK5AF	1	Z					*00	[KA] , With [EAD], Left
	1CB90BD5AC	1	C					*00	[DA] , With [EAG], Right
	1CB90DK5AC	1	C					*00	[KA] , With [EAG], Right
	1CD20BD5AC	1	C					*00	[DA] , With [EAD], Right
	1CD20DK5AC	1	C					*00	[KA] , With [EAD], Right
	1CT56BD5AA	1	C					*00	[DA] , With [EAD], Left
	1CT56DK5AA	1	C					*00	[KA] , With [EAD], Left
2	06030441	3			27				PIN, Retainer
3									MAT KIT, Floor - Complete
	0RJ99BD5AD	1	C					*00	[DA]
	0RJ99DK5AD	1	C					*00	[KA]
	0UX17BD5AC	1	Z					*00	[DA]
	0UX17DK5AC	1	Z					*00	[KA]
4									MAT, Floor
	0WG111D5AB	1	C					*00	[DA]
	0WG111K5AB	1	C					*00	[KA]
5									CARPET, Rear Floor
	1BG64BD5AA	1			27			*00	[DA]
	1BG64DK5AA	1			27			*00	[KA]
6	05023788AA	5			27				PIN, Retainer
7									CARPET, Cargo Floor
	1CM52BD5AA	1			27			*00	[DA]

PT CRUISER (PT)

SERIES LINE
H = HIGHLINE C = CHRYSLER
P = PREMIUM Z = CHRYSLER (RHD)
S = SPORT
X = SPECIAL

BODY
27 = 2-DR CONVERTIBLE
44 = HATCHBACK/QUAD
CAB CHASSIS LWB

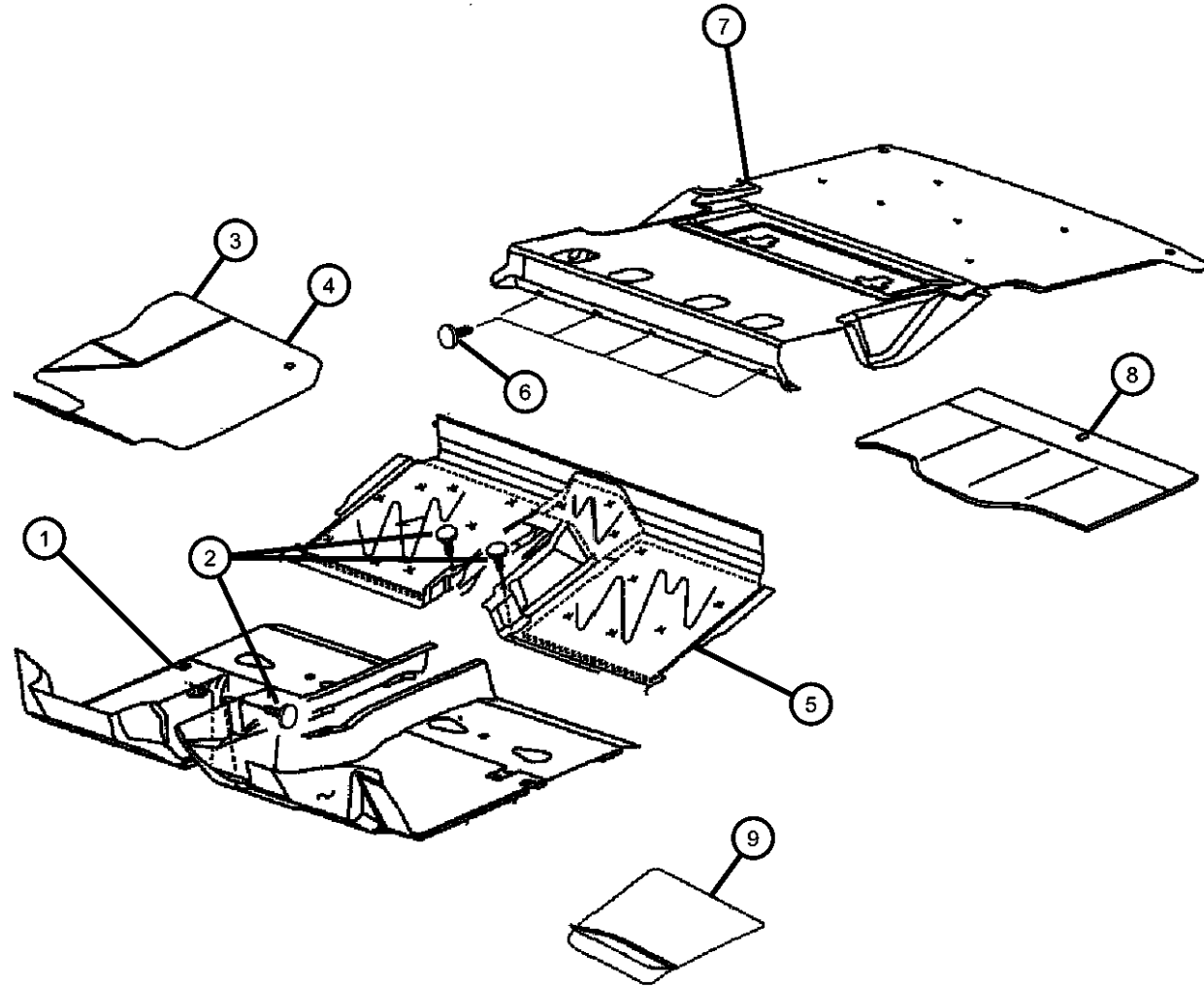
ENGINE TRANSMISSION
EDJ = 2.2L 4 Cyl Turbo Diesel Engine
EDT = 2.4L 4 Cyl DOHC 16V Turbo Engine
EDV = 2.4L 4 Cyl DOHC 16V HO Turbo Engine
EDZ = 2.4L 4 Cyl DOHC 16V SMPI Engine
EJD = 1.6L 4 Cyl SOHC 16V SMPI
DGL = 4-Speed Automatic Transmission
DD5 = 5-Speed Manual Transmission
DDD = 5-Speed HD Manual Transmission

AR = use ase required - = Non illustrated part

2006 PT

**Carpets and Mats - 27 Body
Figure IPT-305**

ITEM	PART NUMBER	QTY	LINE	SERIES	BODY	ENGINE	TRANS	TRIM	DESCRIPTION
	1CM52DK5AA	1			27			*00	[KA]
8	04724568AC	1							SILENCER, Floor Pan
9	04724889AA	1							PAD, Dash Panel



PT CRUISER (PT)

SERIES LINE
H = HIGHLINE C = CHRYSLER
P = PREMIUM Z = CHRYSLER (RHD)
S = SPORT
X = SPECIAL

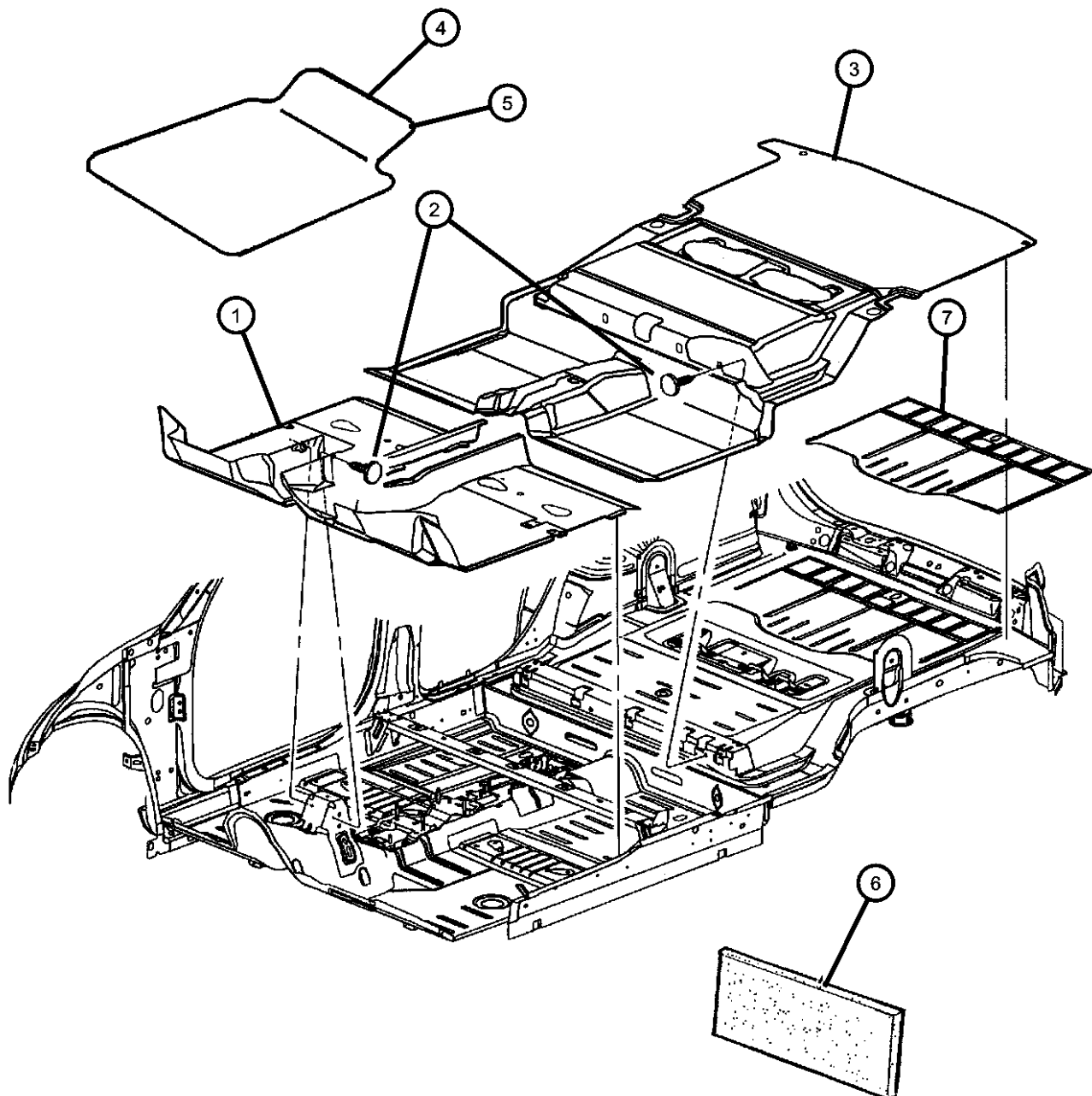
BODY
27 = 2-DR CONVERTIBLE
44 = HATCHBACK/QUAD
CAB CHASSIS LWB

ENGINE
EDJ = 2.2L 4 Cyl Turbo Diesel Engine
EDT = 2.4L 4 Cyl DOHC 16V Turbo Engine
EDV = 2.4L 4 Cyl DOHC 16V HO Turbo Engine
EDZ = 2.4L 4 Cyl DOHC 16V SMPI Engine
EJD = 1.6L 4 Cyl SOHC 16V SMPI

TRANSMISSION
DGL = 4-Speed Automatic Transmission
DD5 = 5-Speed Manual Transmission
DDD = 5-Speed HD Manual Transmission

AR = use ase required - = Non illustrated part

**Carpets and Mats - 44 Body
Figure IPT-310**



ITEM	PART NUMBER	QTY	LINE	SERIES	BODY	ENGINE	TRANS	TRIM	DESCRIPTION
1									CARPET, Passenger Floor
	0TX15BD5AL	1	C					*00	[DA] , With [EAG], Left
	0TX15DK5AL	1	C					*00	[KA] , With [EAG], Left
	0UY02BD5AH	1	Z					*00	[DA] , With [EAG], Right
	0UY02DK5AH	1	Z					*00	[KA] , With [EAG], Right
	0UY03BD5AF	1	Z					*00	[DA] , With [EAG], Left
	0UY03DK5AF	1	Z					*00	[KA] , With [EAG], Left
	0UY04BD5AH	1	Z					*00	[DA] , With [EAD], Right
	0UY04DK5AH	1	Z					*00	[KA] , With [EAD], Right
	0UY05BD5AF	1	Z					*00	[DA] , With [EAD], Left
	0UY05DK5AF	1	Z					*00	[KA] , With [EAD], Left
	1CB90BD5AC	1	C					*00	[DA] , With [EAG], Right
	1CB90DK5AC	1	C					*00	[KA] , With [EAG], Right
	1CD20BD5AC	1	C					*00	[DA] , With [EAD], Right
	1CD20DK5AC	1	C					*00	[KA] , With [EAD], Right
	1CT56BD5AA	1	C					*00	[DA] , With [EAD], Left
	1CT56DK5AA	1	C					*00	[KA] , With [EAD], Left
2	06030441	4							PIN, Retainer
3									CARPET, Rear Floor
	0RK03BD5AI	1			44			*00	[DA]
	0RK03DK5AI	1			44			*00	[KA]
4									MAT KIT, Floor - Complete
	0RJ99BD5AD	1	C					*00	[DA]
	0RJ99DK5AD	1	C					*00	[KA]
	0UX17BD5AC	1	Z					*00	[DA]
	0UX17DK5AC	1	Z					*00	[KA]
5									MAT, Floor
	0WG111D5AB	1	C					*00	[DA]
	0WG111K5AB	1	C					*00	[KA]
6	04724889AA	1							PAD, Dash PanelLeft
7	04724568AC	1							SILENCER, Floor Pan
-8									CLIP, Carpet

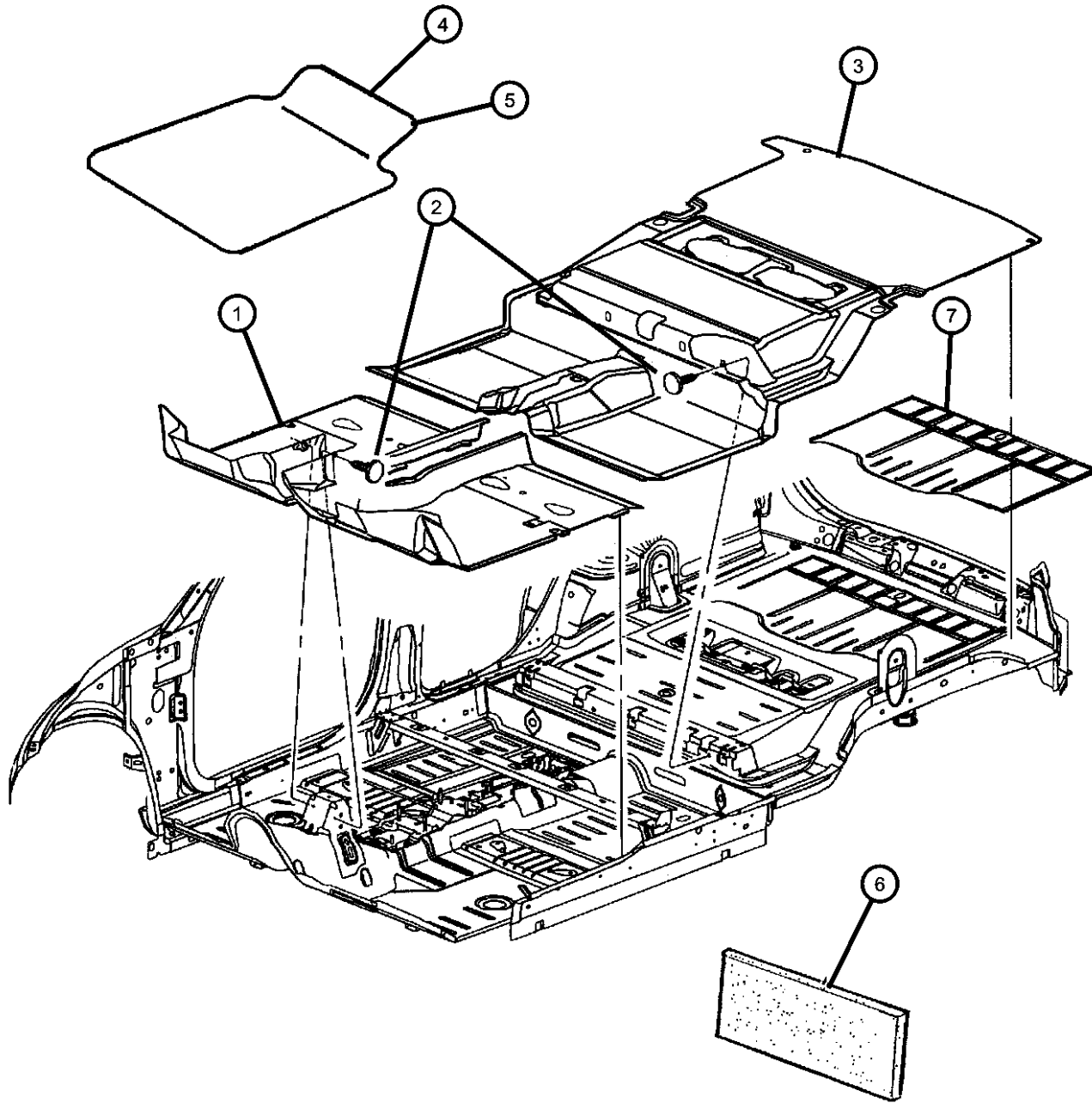
PT CRUISER (PT)

SERIES	LINE	BODY	ENGINE	TRANSMISSION
H = HIGHLINE	C = CHRYSLER	27 = 2-DR CONVERTIBLE	EDJ = 2.2L 4 Cyl Turbo Diesel Engine	DGL = 4-Speed Automatic Transmission
P = PREMIUM	Z = CHRYSLER (RHD)	44 = HATCHBACK/QUAD CAB CHASSIS LWB	EDT = 2.4L 4 Cyl DOHC 16V Turbo Engine	DD5 = 5-Speed Manual Transmission
S = SPORT			EDV = 2.4L 4 Cyl DOHC 16V HO Turbo Engine	DDD = 5-Speed HD Manual Transmission
X = SPECIAL			EDZ = 2.4L 4 Cyl DOHC 16V SMPI Engine	
			EJD = 1.6L 4 Cyl SOHC 16V SMPI	

AR = use ase required - = Non illustrated part

**Carpets and Mats - 44 Body
Figure IPT-310**

ITEM	PART NUMBER	QTY	LINE	SERIES	BODY	ENGINE	TRANS	TRIM	DESCRIPTION
	55196834AA	1	C					*O0	
		1	Z					*O0	
-9	0TZ62XXXAA	1	C					*O0	CAP, Footrest Screw Cover



PT CRUISER (PT)

SERIES LINE
H = HIGHLINE C = CHRYSLER
P = PREMIUM Z = CHRYSLER (RHD)
S = SPORT
X = SPECIAL

BODY
27 = 2-DR CONVERTIBLE
44 = HATCHBACK/QUAD
CAB CHASSIS LWB

ENGINE
EDJ = 2.2L 4 Cyl Turbo Diesel Engine
EDT = 2.4L 4 Cyl DOHC 16V Turbo Engine
EDV = 2.4L 4 Cyl DOHC 16V HO Turbo Engine
EDZ = 2.4L 4 Cyl DOHC 16V SMPI Engine
EJD = 1.6L 4 Cyl SOHC 16V SMPI

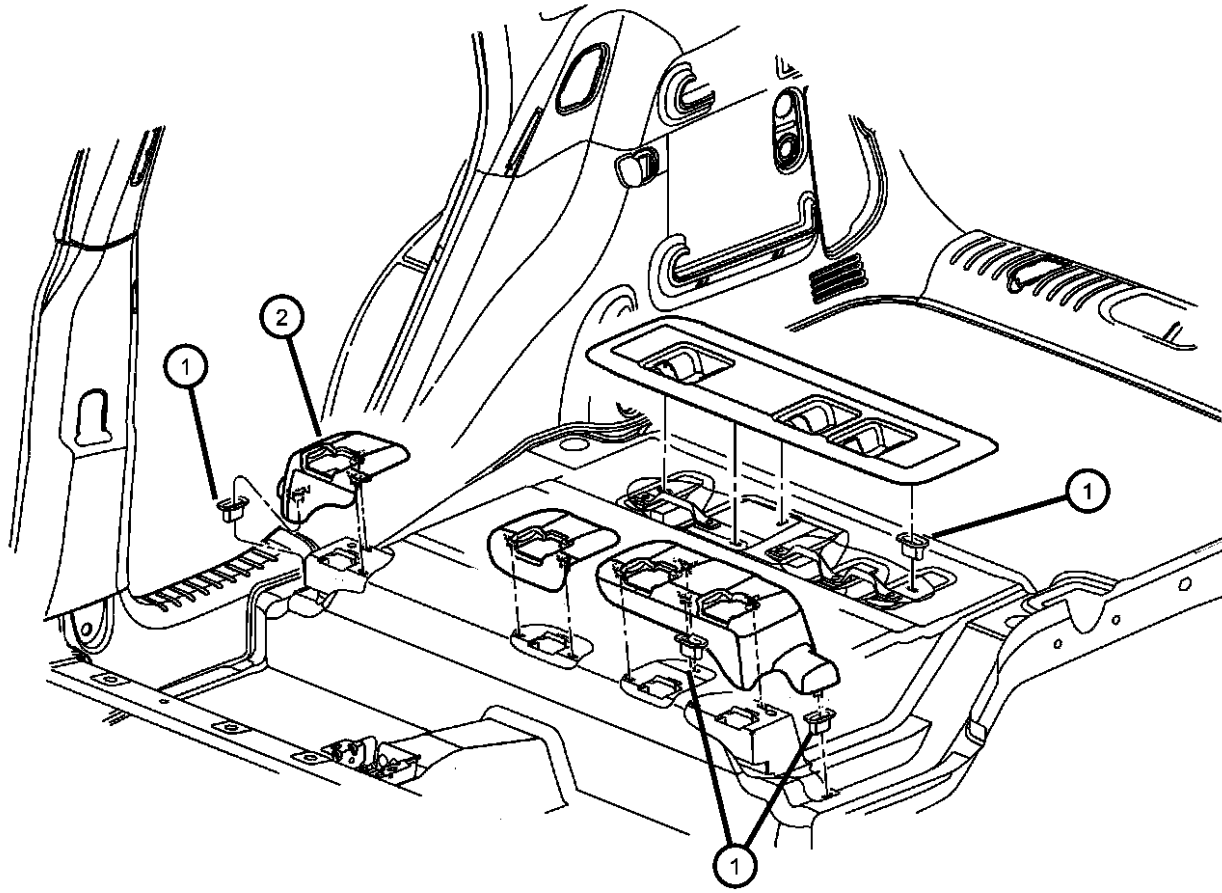
TRANSMISSION
DGL = 4-Speed Automatic Transmission
DD5 = 5-Speed Manual Transmission
DDD = 5-Speed HD Manual Transmission

AR = use ase required - = Non illustrated part

2006 PT

**Seat - Rear Attaching Floor Pan
Figure IPT-315**

ITEM	PART NUMBER	QTY	LINE	SERIES	BODY	ENGINE	TRANS	TRIM	DESCRIPTION
1	06505670AA	8			44				NUT, Plastic
2									BEZEL, Seat Pivot
	0TK86BDAAF	1			44			*O0	[DA], Right
	0TK86DKAAF	1			44			*O0	[KA], Right
	0TK87BD5AF	1			44			*O0	[DA], Left
	0TK87DK5AF	1			44			*O0	[KA], Left
	0TK88BD5AD	1			44			*O0	[DA], Center
	0TK88DK5AD	1			44			*O0	[KA], Center



PT CRUISER (PT)

SERIES LINE
H = HIGHLINE C = CHRYSLER
P = PREMIUM Z = CHRYSLER (RHD)
S = SPORT
X = SPECIAL

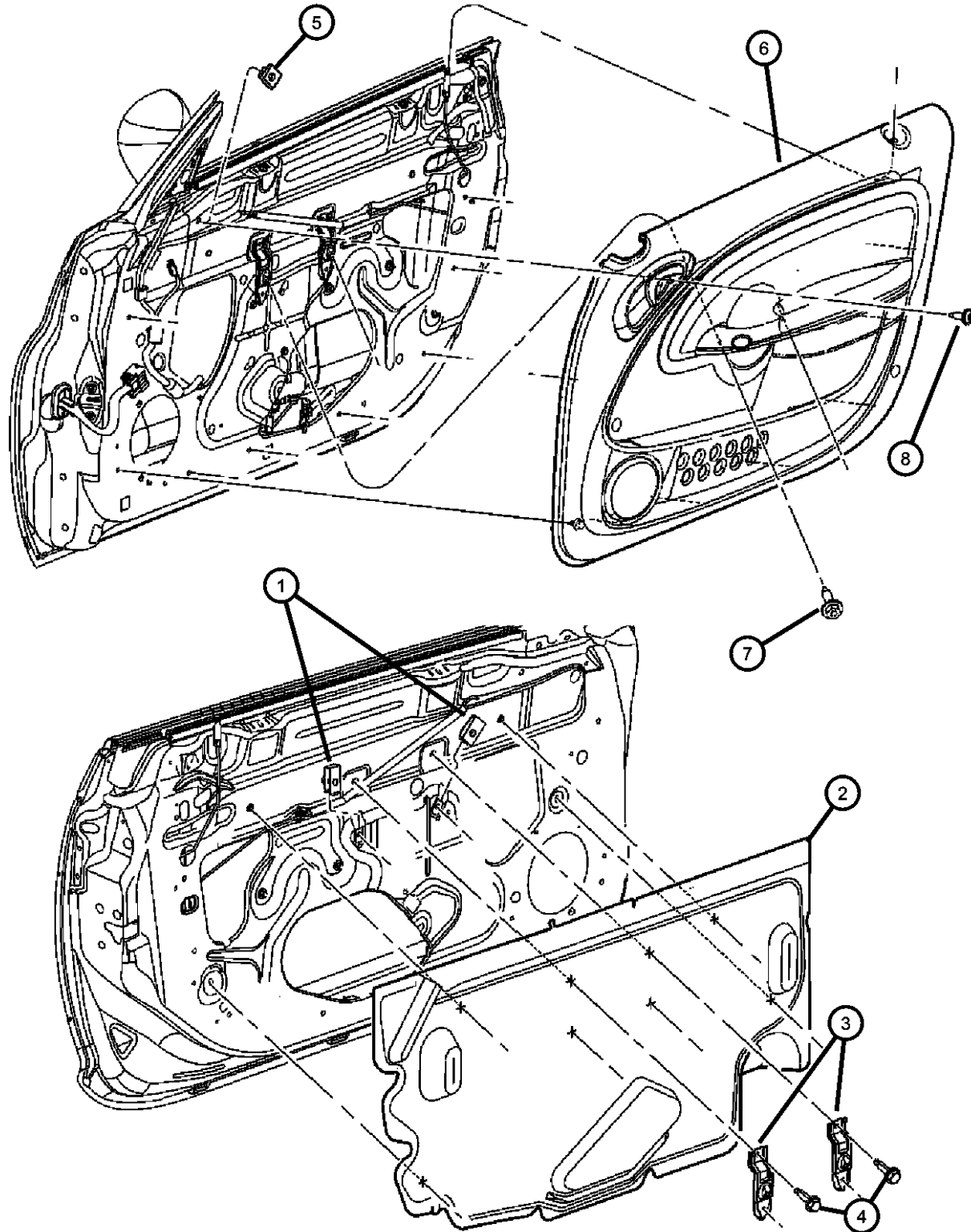
BODY
27 = 2-DR CONVERTIBLE
44 = HATCHBACK/QUAD
CAB CHASSIS LWB

ENGINE TRANSMISSION
EDJ = 2.2L 4 Cyl Turbo Diesel Engine DGL = 4-Speed Automatic Transmission
EDT = 2.4L 4 Cyl DOHC 16V Turbo Engine DD5 = 5-Speed Manual Transmission
EDV = 2.4L 4 Cyl DOHC 16V HO Turbo Engine DDD = 5-Speed HD Manual Transmission
EDZ = 2.4L 4 Cyl DOHC 16V SMPI Engine
EJD = 1.6L 4 Cyl SOHC 16V SMPI

AR = use ase required - = Non illustrated part

2006 PT

Door Panels - Front 27 Body
Figure IPT-410



ITEM	PART NUMBER	QTY	LINE	SERIES	BODY	ENGINE	TRANS	TRIM	DESCRIPTION
1	06100041	2			27				U-NUT, .190-16
2									WATERDAM, Front Door
	05067162AB	1			27				Right
	05067163AB	1			27				Left
3	05023704AA	4			27				BRACKET
4	06100558	4			27				BOLT AND CONED WASHER, Hex Head, M6x25x14
5	06036204AA	2							NUT, Plastic Snap-In, For .190-16 Screw
6									PANEL, Door Trim Front
	0XC881DAAC	1			27			*CL	[DA], Right
	0XC881KAAC	1			27			*CL	[KA], Right
		1			27			*XL	[KA], Right
	0XC891DAAC	1			27			*CL	[DA], Left
	0XC891KAAC	1			27			*CL	[KA], Left
		1			27			*XL	[KA], Left
	1CP591DAAA	1			27			*E7	[DA], Left
	1CP591KAAA	1			27			*E7	[KA], Left
	1CP761DAAA	1			27			*E7	[DA], Right
	1CP761KAAA	1			27			*E7	[KA], Right
7	06506884AA	2			27				SCREW, Hex Flange Head
8	06036274AA	2							SCREW, Large Round Washer Head
-9	05023173AA	3			27			*O0	RETAINER, Trim Panel

PT CRUISER (PT)

SERIES LINE
H = HIGHLINE C = CHRYSLER
P = PREMIUM Z = CHRYSLER (RHD)
S = SPORT
X = SPECIAL

BODY
27 = 2-DR CONVERTIBLE
44 = HATCHBACK/QUAD
CAB CHASSIS LWB

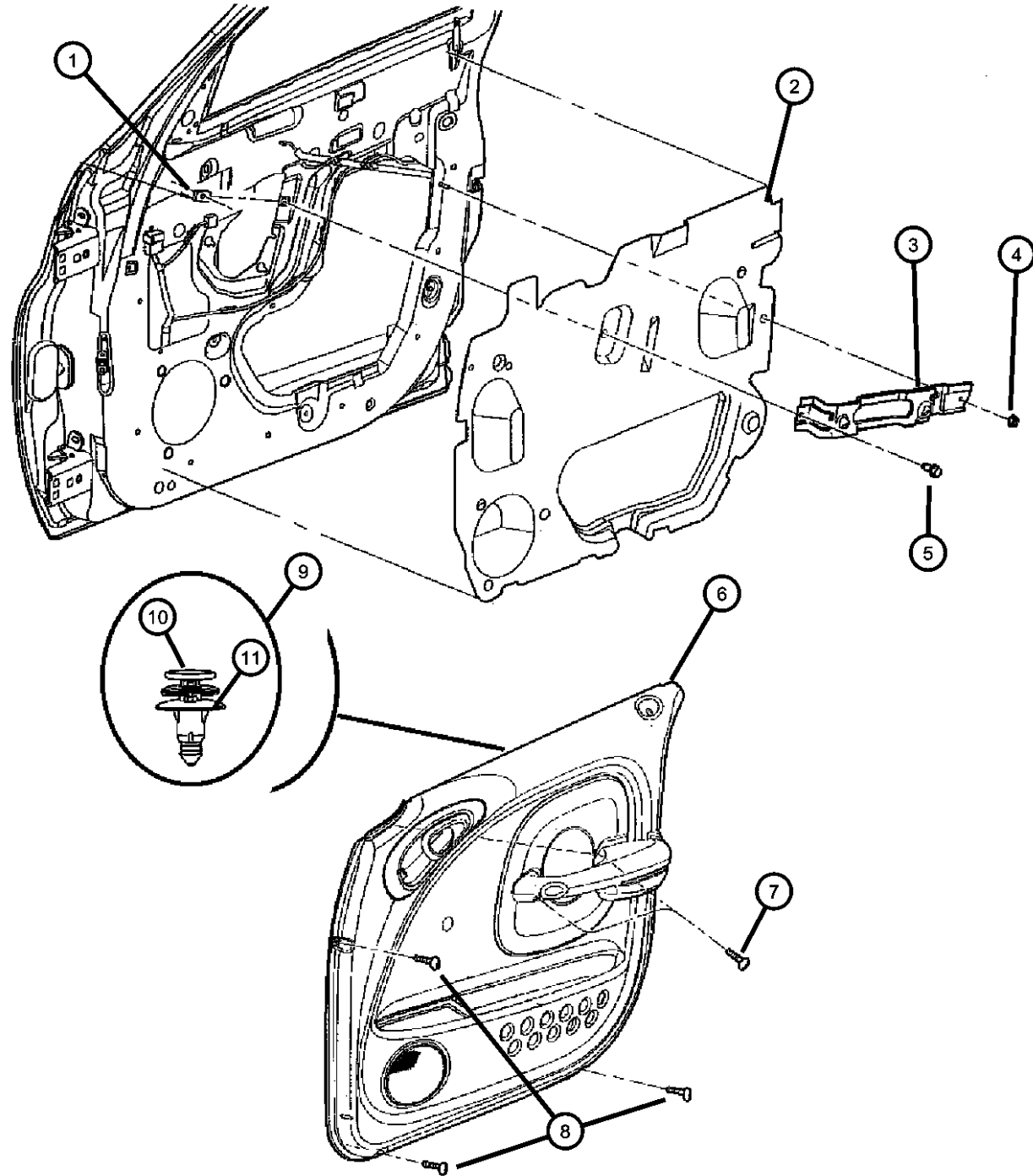
ENGINE
EDJ = 2.2L 4 Cyl Turbo Diesel Engine
EDT = 2.4L 4 Cyl DOHC 16V Turbo Engine
EDV = 2.4L 4 Cyl DOHC 16V HO Turbo Engine
EDZ = 2.4L 4 Cyl DOHC 16V SMPI Engine
EJD = 1.6L 4 Cyl SOHC 16V SMPI

TRANSMISSION
DGL = 4-Speed Automatic Transmission
DD5 = 5-Speed Manual Transmission
DDD = 5-Speed HD Manual Transmission

AR = use ase required - = Non illustrated part

2006 PT

Door Panels - Front - 44 Body
Figure IPT-415



ITEM	PART NUMBER	QTY	LINE	SERIES	BODY	ENGINE	TRANS	TRIM	DESCRIPTION
1	05023173AA	3							U-NUT, (NOT SERVICED)
2									WATERDAM, Front Door
	05027192AE	1			44				Right
	05027193AE	1			44				Left
3									BRACKET, Armrest to Door
	05023842AA	1			44				Right
	05023843AA	1			44				Left
4	06036125AA	1							NUT
5	06100558	2			44				BOLT AND CONED WASHER, Hex Head, M6x25x14, Attaching, Armrest Bracket
6									PANEL, Door Trim Front
	1CP721DAAA	1			44			*CL	[DA], Right
		1			44			*TL	[DA], Right
		1			44			*P7	[DA], Right
	1CP721KAAA	1			44			*CL	[KA], Right
		1			44			*TL	[KA], Right
	1CP731DAAA	1			44			*CL	[DA], Left
		1			44			*P7	[DA], Left
		1	C, Z		44			*TL	[DA], Left
		1			44			*P7	[KA], Right
	1CP731KAAA	1			44			*CL	[KA], Left
		1			44			*TL	[KA], Left
		1			44			*P7	[KA], Left
7	06506884AA	4			44				SCREW, Hex Flange Head
8	06032723	4			44				SCREW, Self Tapping, M4.2x1.69x19.05
9									RETAINER, Trim Panel
	05023173AA	8			44			*TL	
		8			44			*P7	
		8			44			*E7	
		8			44			*CL	
10									PIN, Push

PT CRUISER (PT)

SERIES LINE
H = HIGHLINE C = CHRYSLER
P = PREMIUM Z = CHRYSLER (RHD)
S = SPORT
X = SPECIAL

BODY
27 = 2-DR CONVERTIBLE
44 = HATCHBACK/QUAD CAB CHASSIS LWB

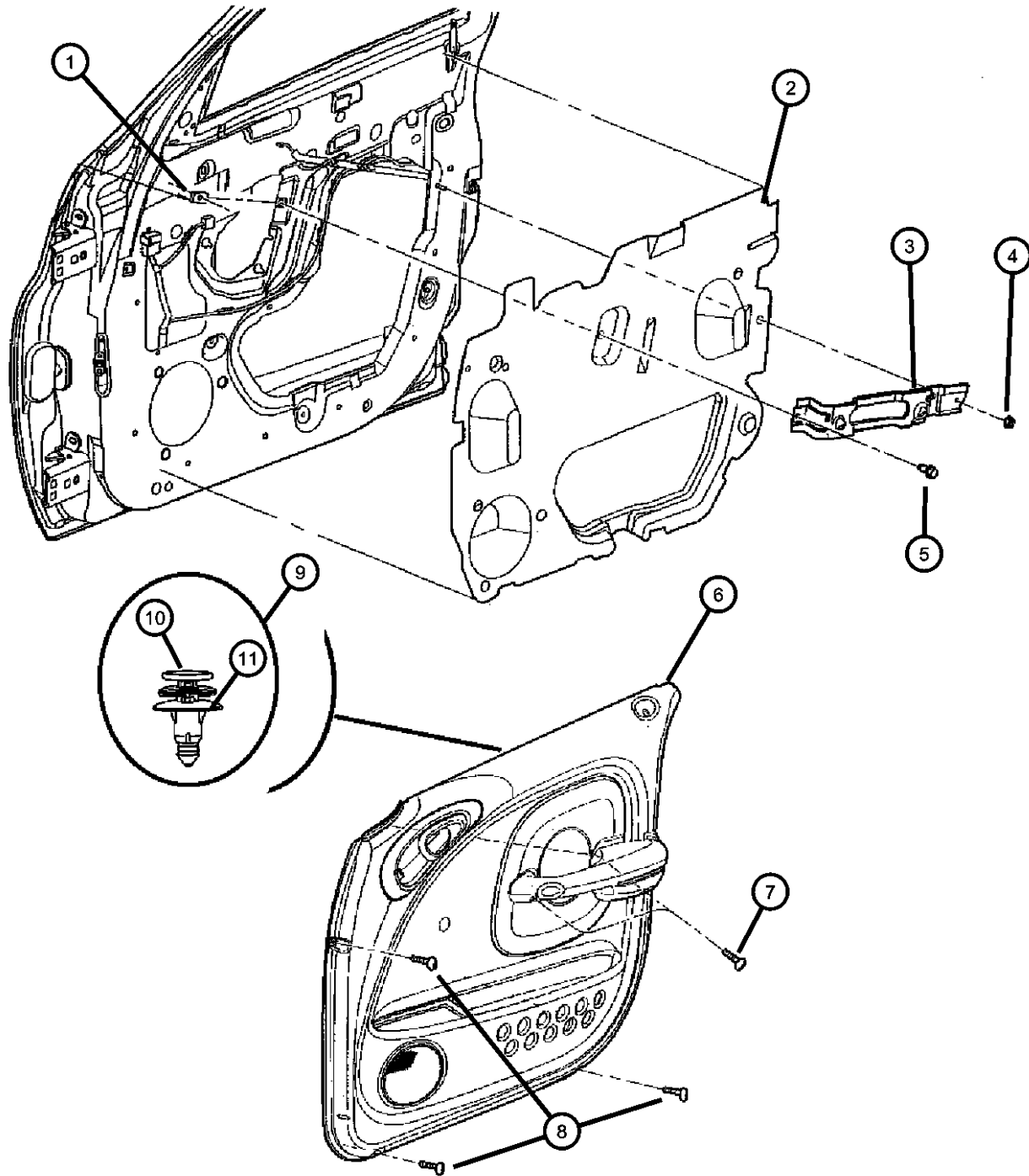
ENGINE TRANSMISSION
EDJ = 2.2L 4 Cyl Turbo Diesel Engine
EDT = 2.4L 4 Cyl DOHC 16V Turbo Engine
EDV = 2.4L 4 Cyl DOHC 16V HO Turbo Engine
EDZ = 2.4L 4 Cyl DOHC 16V SMPI Engine
EJD = 1.6L 4 Cyl SOHC 16V SMPI
DGL = 4-Speed Automatic Transmission
DD5 = 5-Speed Manual Transmission
DDD = 5-Speed HD Manual Transmission

AR = use ase required - = Non illustrated part

2006 PT

Door Panels - Front - 44 Body
Figure IPT-415

ITEM	PART NUMBER	QTY	LINE	SERIES	BODY	ENGINE	TRANS	TRIM	DESCRIPTION
	05023174AA	8			44			*P7	
		8			44			*TL	
		8			44			*E7	
		8			44			*CL	
11									GROMMET
	05023175AA	8			44			*P7	
		8			44			*E7	
		8			44			*CL	



PT CRUISER (PT)

SERIES LINE
H = HIGHLINE C = CHRYSLER
P = PREMIUM Z = CHRYSLER (RHD)
S = SPORT
X = SPECIAL

BODY
27 = 2-DR CONVERTIBLE
44 = HATCHBACK/QUAD
CAB CHASSIS LWB

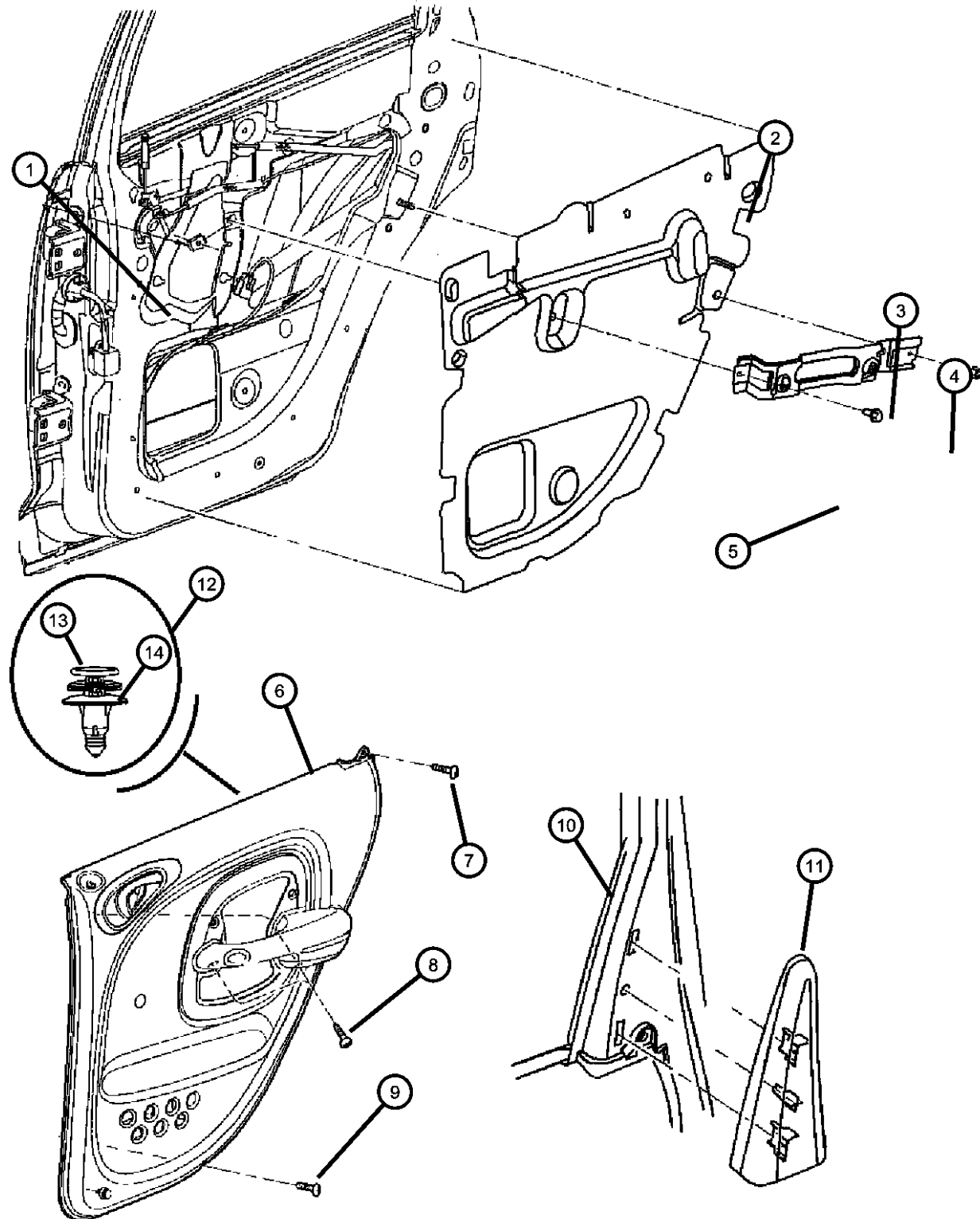
ENGINE
EDJ = 2.2L 4 Cyl Turbo Diesel Engine
EDT = 2.4L 4 Cyl DOHC 16V Turbo Engine
EDV = 2.4L 4 Cyl DOHC 16V HO Turbo Engine
EDZ = 2.4L 4 Cyl DOHC 16V SMPI Engine
EJD = 1.6L 4 Cyl SOHC 16V SMPI

TRANSMISSION
DGL = 4-Speed Automatic Transmission
DD5 = 5-Speed Manual Transmission
DDD = 5-Speed HD Manual Transmission

AR = use ase required - = Non illustrated part

2006 PT

Door Panel - Rear
Figure IPT-420



ITEM	PART NUMBER	QTY	LINE	SERIES	BODY	ENGINE	TRANS	TRIM	DESCRIPTION
1		8							U-NUT, (NOT SERVICED)
2									WATERDAM, Rear Door
	05152063AB	1			44				Left
	05152062AB	1			44				Right
3									BRACKET, Armrest to Door
	05023828AA	1			44				Right
	05023829AA	1			44				Left
4	06101447	2							NUT AND WASHER, M6x1.00, Armrest Bracket
5	06100558	2			44				BOLT AND CONED WASHER, Hex Head, M6x25x14
6									PANEL, Door Trim Rear
	1CP781DAAA	1			44			*CL	[DA], Right
		1			44			*TL	[DA], Right
	1CP781KAAA	1			44			*CL	[KA], Right
		1			44			*TL	[KA], Right
	1CP791DAAA	1			44			*CL	[DA], Left
		1			44			*TL	[DA], Left
	1CP791KAAA	1			44			*CL	[KA], Left
		1			44			*TL	[KA], Left
7	06032723	4			44				SCREW, Self Tapping, M4.2x1.69x19.05
8	06506884AA	4			44				SCREW, Hex Flange Head, Armrest Bracket Attaching
9	06032723	4			44				SCREW, Self Tapping, M4.2x1.69x19.05
10	06032723	4							DOOR, Rear, Reference Only, (NOT SERVICED)
11									BEZEL, Door Trim Panel
	0SA66DX9AD	1			44			*O0	Right
	0SA67DX9AD	1			44			*O0	Left
12									RETAINER, Trim Panel

PT CRUISER (PT)

SERIES LINE
H = HIGHLINE C = CHRYSLER
P = PREMIUM Z = CHRYSLER (RHD)
S = SPORT
X = SPECIAL

BODY
27 = 2-DR CONVERTIBLE
44 = HATCHBACK/QUAD
CAB CHASSIS LWB

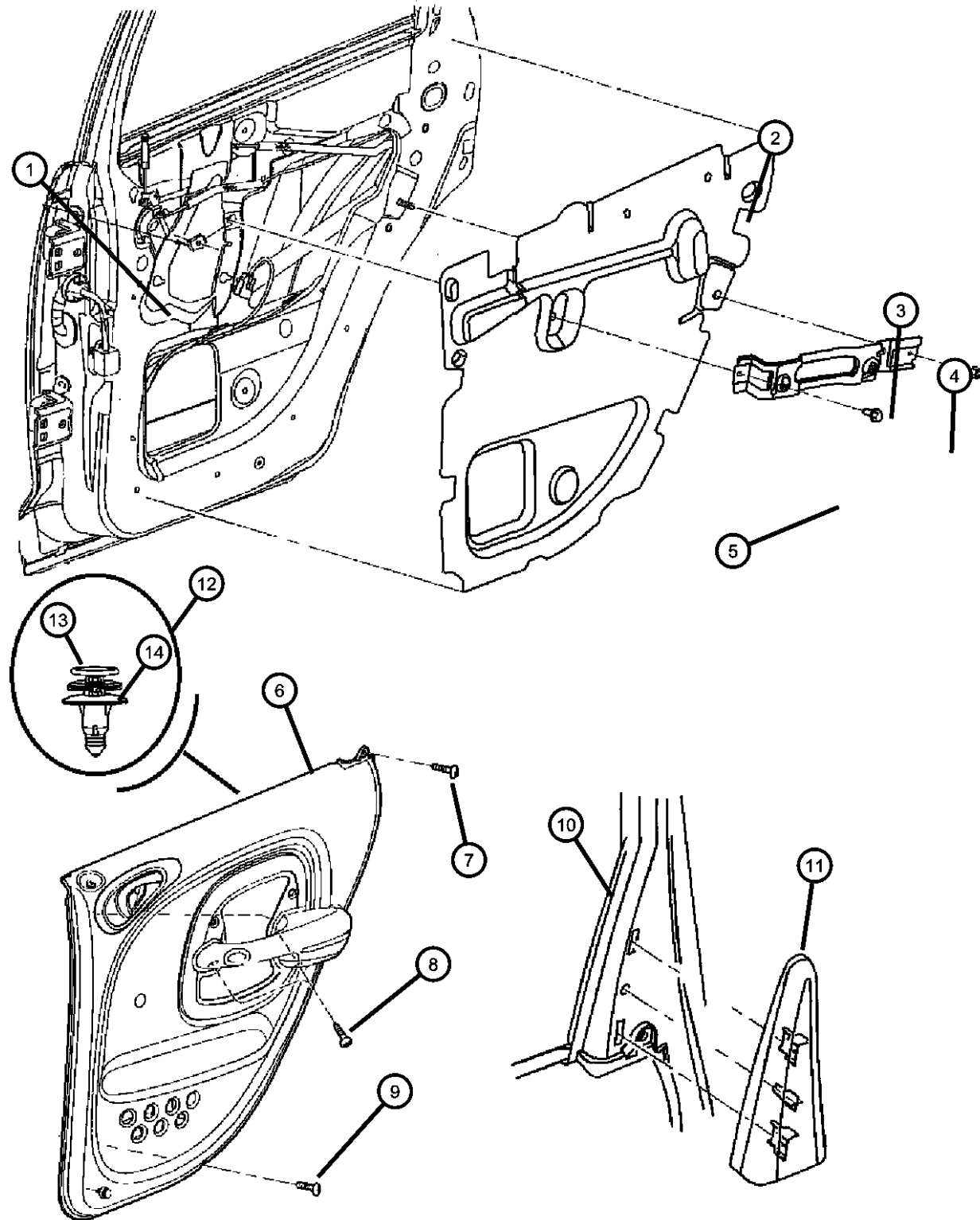
ENGINE
EDJ = 2.2L 4 Cyl Turbo Diesel Engine
EDT = 2.4L 4 Cyl DOHC 16V Turbo Engine
EDV = 2.4L 4 Cyl DOHC 16V HO Turbo Engine
EDZ = 2.4L 4 Cyl DOHC 16V SMPI Engine
EJD = 1.6L 4 Cyl SOHC 16V SMPI

TRANSMISSION
DGL = 4-Speed Automatic Transmission
DD5 = 5-Speed Manual Transmission
DDD = 5-Speed HD Manual Transmission

AR = use ase required - = Non illustrated part

2006 PT

Door Panel - Rear
Figure IPT-420



ITEM	PART NUMBER	QTY	LINE	SERIES	BODY	ENGINE	TRANS	TRIM	DESCRIPTION
	05023173AA	8			44			*P7	
		8			44			*E7	
		8			44			*CL	
		8			44			*TL	
13									PIN, Push
	05023174AA	8			44			*TL	
		8			44			*E7	
		8			44			*CL	
		8			44			*P7	
14									GROMMET
	05023175AA	8			44			*P7	
		8			44			*E7	
		8			44			*CL	

PT CRUISER (PT)

SERIES LINE
H = HIGHLINE C = CHRYSLER
P = PREMIUM Z = CHRYSLER (RHD)
S = SPORT
X = SPECIAL

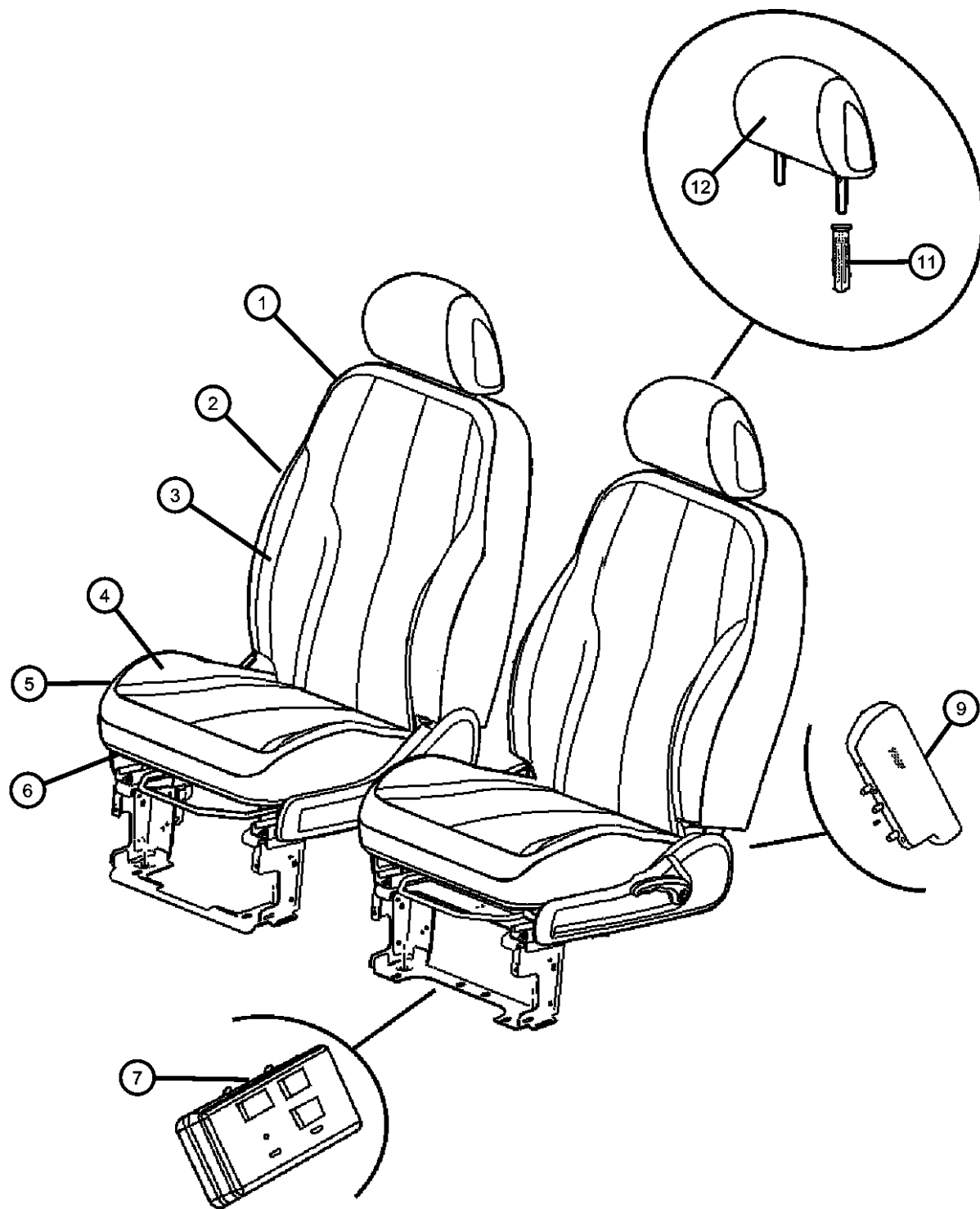
BODY
27 = 2-DR CONVERTIBLE
44 = HATCHBACK/QUAD
CAB CHASSIS LWB

ENGINE TRANSMISSION
EDJ = 2.2L 4 Cyl Turbo Diesel Engine
EDT = 2.4L 4 Cyl DOHC 16V Turbo Engine
EDV = 2.4L 4 Cyl DOHC 16V HO Turbo Engine
EDZ = 2.4L 4 Cyl DOHC 16V SMPI Engine
EJD = 1.6L 4 Cyl SOHC 16V SMPI
DGL = 4-Speed Automatic Transmission
DD5 = 5-Speed Manual Transmission
DDD = 5-Speed HD Manual Transmission

AR = use ase required - = Non illustrated part

2006 PT

**Front Seats - Trim Code [P7] - 27 Body
Figure IPT-502**



ITEM	PART NUMBER	QTY	LINE	SERIES	BODY	ENGINE	TRANS	TRIM	DESCRIPTION
1									FRAME, Front Seat Back, Include Recliners
	05175824AA	1	C		27			*P7	Right
	05175825AA	1	C		27			*P7	Left
2	05175655AA	1	C		27			*P7	FOAM, Seat Back
3									COVER, Front Seat Back
	1CX131K2AA	1	C		27			*P7	[KA] , With Map Pocket, Left
	1CX151K2AA	1	C		27			*P7	[KA] , With [CJ1], Left
	1CX181K2AA	1	C		27			*P7	[KA] , Without [CJ1], Right
	1CX201K2AA	1	C		27			*P7	[KA] , With [CJ1], Right
	1FW341K2AA	1	Z		27			*P7	[KA], Right
	1FW351K2AA	1	Z		27			*P7	[KA], Left
4									COVER, Front Seat Cushion
	1CY561D5AA	1	C		27			*P7	[DA], Right
		1	Z		27			*P7	[DA], Left
	1CY561K2AA	1	C		27			*P7	[KA], Right
		1	Z		27			*P7	[KA], Left
	1CY571D5AA	1	C		27			*P7	[DA], Left
	1CY571K2AA	1	C		27			*P7	[KA], Left
	1FW361K2AA	1	Z		27			*P7	[KA], Right
5	05175680AA	1	C		27			*P7	FOAM, Seat CushionRight & Left
6									FRAME, Seat cushion
	05175653AA	1	C		27			*P7	Left
	05175826AA	1	C		27			*P7	Right
7	05084006AJ	1	C		27			*P7	MODULE, Occupant Classification
-8	04692056AA	1	C, Z		27, 44				BRACKET, Module
9	04645986AA	2	C		27			*P7	AIR BAG, Seat
-10	68004282AA	1	C		27			*P7	BRACKET
11									SLEEVE, Headrest
	1DN971D5AA	1	C		27			*P7	[DA], Locking
		1	Z		27			*P7	[DA], Locking
	1DN971K2AA	1	C		27			*P7	[KA], Locking

PT CRUISER (PT)

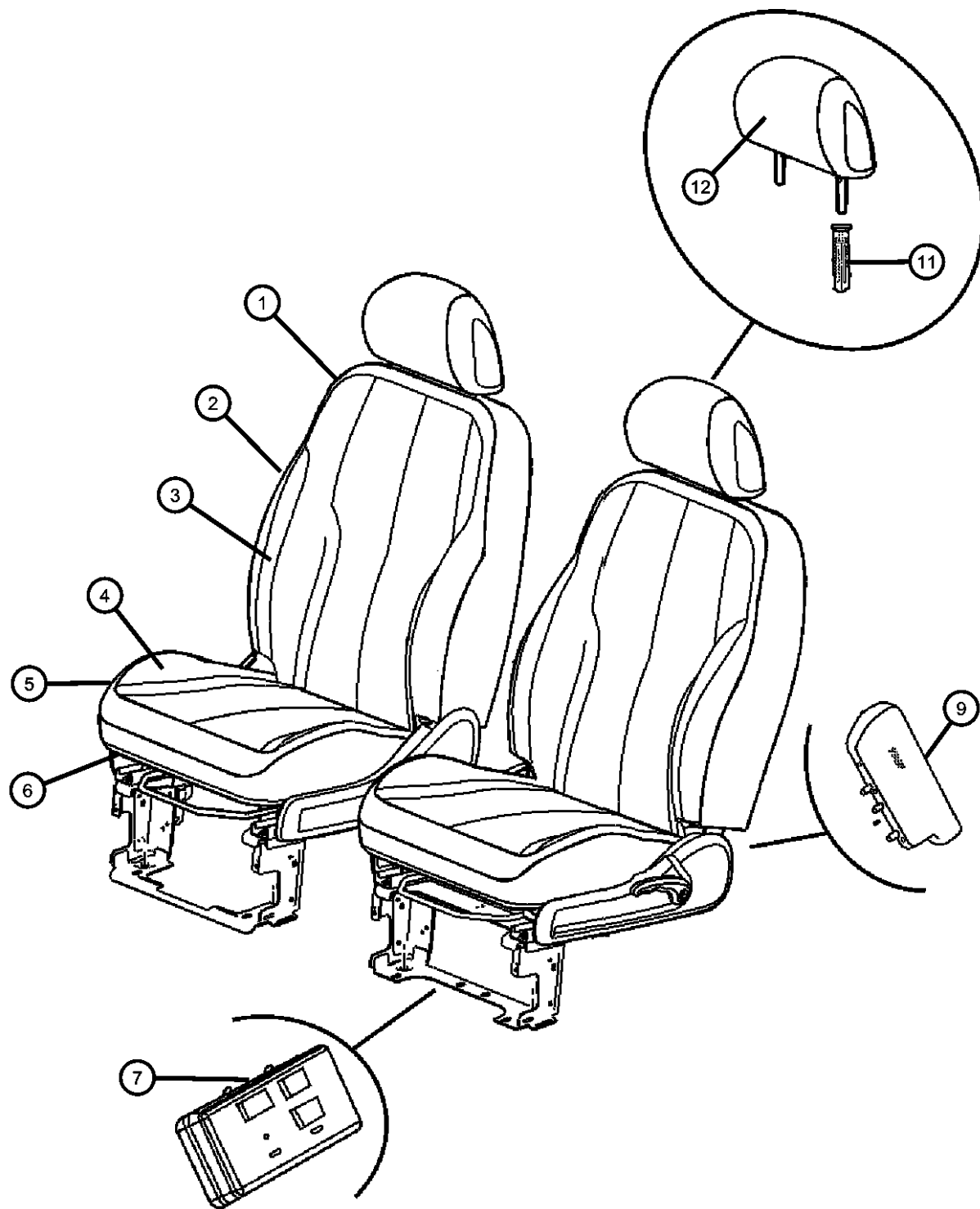
SERIES	LINE	BODY	ENGINE	TRANSMISSION
H = HIGHLINE	C = CHRYSLER	27 = 2-DR CONVERTIBLE	EDJ = 2.2L 4 Cyl Turbo Diesel Engine	DGL = 4-Speed Automatic Transmission
P = PREMIUM	Z = CHRYSLER (RHD)	44 = HATCHBACK/QUAD CAB CHASSIS LWB	EDT = 2.4L 4 Cyl DOHC 16V Turbo Engine	DD5 = 5-Speed Manual Transmission
S = SPORT			EDV = 2.4L 4 Cyl DOHC 16V HO Turbo Engine	DDD = 5-Speed HD Manual Transmission
X = SPECIAL			EDZ = 2.4L 4 Cyl DOHC 16V SMPI Engine	
			EJD = 1.6L 4 Cyl SOHC 16V SMPI	

AR = use ase required - = Non illustrated part

2006 PT

Front Seats - Trim Code [P7] - 27 Body
Figure IPT-502

ITEM	PART NUMBER	QTY	LINE	SERIES	BODY	ENGINE	TRANS	TRIM	DESCRIPTION
		1	Z		27			*P7	[KA], Locking
	1DN98BD5AA	1	C		27			*P7	[DA], Slave Cylinder
	1DN98DK2AA	1	C		27			*P7	[KA], Slave Cylinder
12									HEADREST, Front
	1CX021D5AA	1	C		27			*P7	[DA]
	1CX02DK2AB	1	C		27			*P7	[KA]



PT CRUISER (PT)

SERIES LINE
H = HIGHLINE C = CHRYSLER
P = PREMIUM Z = CHRYSLER (RHD)
S = SPORT
X = SPECIAL

BODY
27 = 2-DR CONVERTIBLE
44 = HATCHBACK/QUAD
CAB CHASSIS LWB

ENGINE
EDJ = 2.2L 4 Cyl Turbo Diesel Engine
EDT = 2.4L 4 Cyl DOHC 16V Turbo Engine
EDV = 2.4L 4 Cyl DOHC 16V HO Turbo Engine
EDZ = 2.4L 4 Cyl DOHC 16V SMPI Engine
EJD = 1.6L 4 Cyl SOHC 16V SMPI

TRANSMISSION
DGL = 4-Speed Automatic Transmission
DD5 = 5-Speed Manual Transmission
DDD = 5-Speed HD Manual Transmission

AR = use ase required - = Non illustrated part

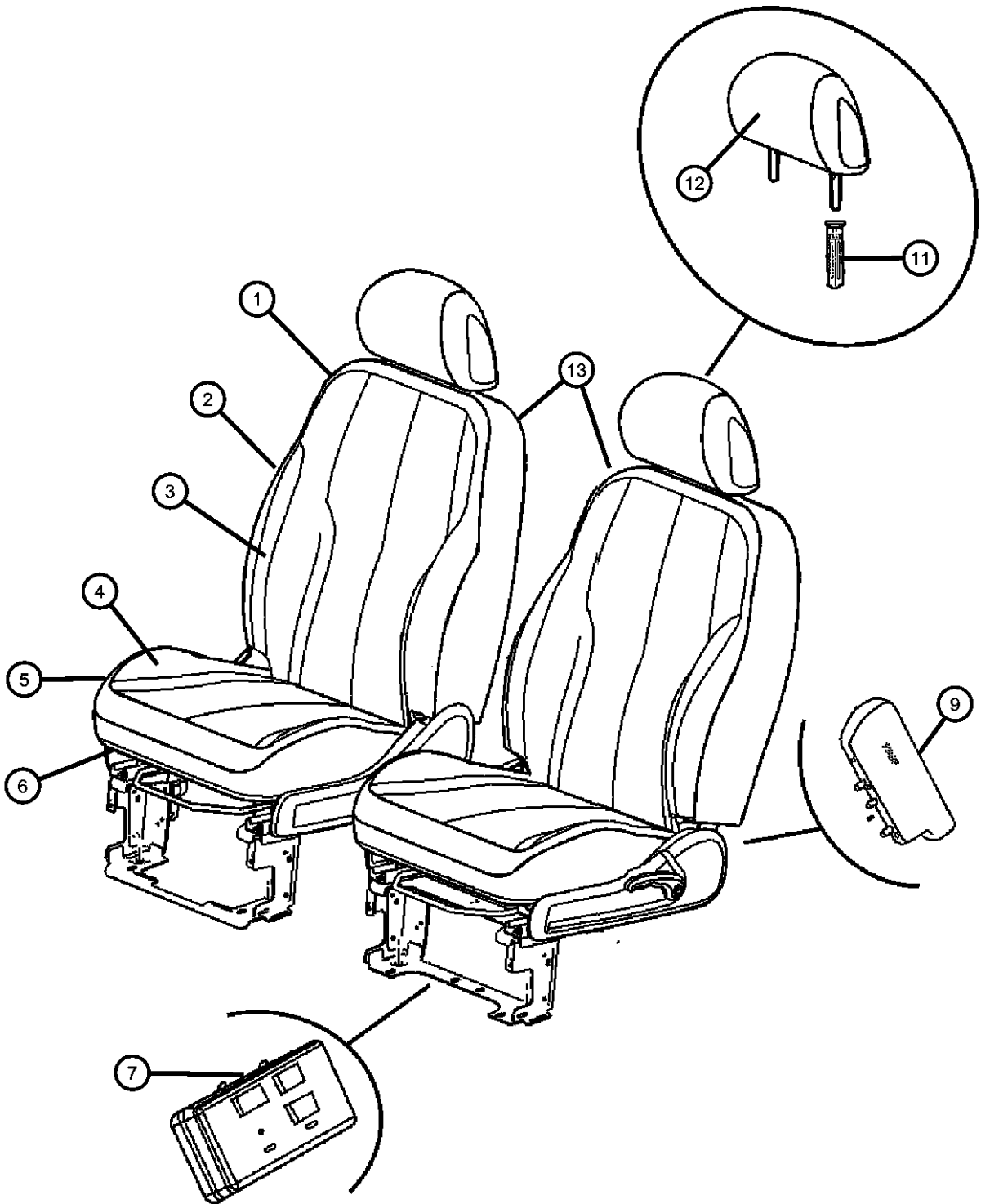
2006 PT

**Front Seat - Trim Code [P7] - 44 Body
Figure IPT-505**

ITEM	PART NUMBER	QTY	LINE	SERIES	BODY	ENGINE	TRANS	TRIM	DESCRIPTION
------	-------------	-----	------	--------	------	--------	-------	------	-------------

Sales Codes

[ABA] = Australia Equipment Group
 [CDW] = Front Passenger Forward Fold Flat
 [CJ1] = Side Front Seat Air Bags
 [[EAD] = All Diesel Engines
 [JPS] = Power 6 -Way Driver Seat



1									FRAME, Front Seat Back, Include Recliners
	05175651AA	1	C		44			*P7	With [XCA] [CDW] [CJ1] , without [JPS], Left
	05175650AA	1	C		44			*P7	With [XCA] [JP8] , without [CDW] or [CJ1], Right
		1	Z		44			*P7	With [CDW] [CJ1] [JPS] , without [ABA], Right
		1	Z		44			*P7	With [CDW] [CJ1] [JPS], Right
		1	Z		44			*P7	With [CDW] [CJ1] [JPS] [ABA], Right
		1	C		44			*P7	With [CDW] [CJ1] [JPS], Left
	05175674AA	1	C		44			*P7	With [CDW] [CJ1] [JPS], Right
	05175714AA	1	Z		44			*P7	With [CDW] [CJ1] [JPS] , without [ABA], Left
		1	Z		44			*P7	With [CDW] [CJ1] [JPS], Left
		1	Z		44			*P7	With [CDW] [CJ1] [JPS] [ABA], Left
2									FOAM, Seat Back
	05175655AA	1	C		44			*P7	Left
	05175664AA	1	Z		44			*P7	Left
		1	Z		44			*P7	With [ABA], Left
		1	Z		44			*P7	With [EAD], Left
	05175665AA	1	C		44			*P7	With [EAD], Left
	05175675AA	1	C		44			*P7	Right
	05175716AA	1	Z		44			*P7	Right
		1	Z		44			*P7	With [EAD], Right
		1	Z		44			*P7	With [ABA], Right
	05175685AA	1	C		44			*P7	With [EAD], Right
3									COVER, Front Seat Back
	1CW791D5AA	1	C		44			*P7	[DA], Left

PT CRUISER (PT)

SERIES LINE
 H = HIGHLINE C = CHRYSLER
 P = PREMIUM Z = CHRYSLER (RHD)
 S = SPORT
 X = SPECIAL

BODY
 27 = 2-DR CONVERTIBLE
 44 = HATCHBACK/QUAD
 CAB CHASSIS LWB

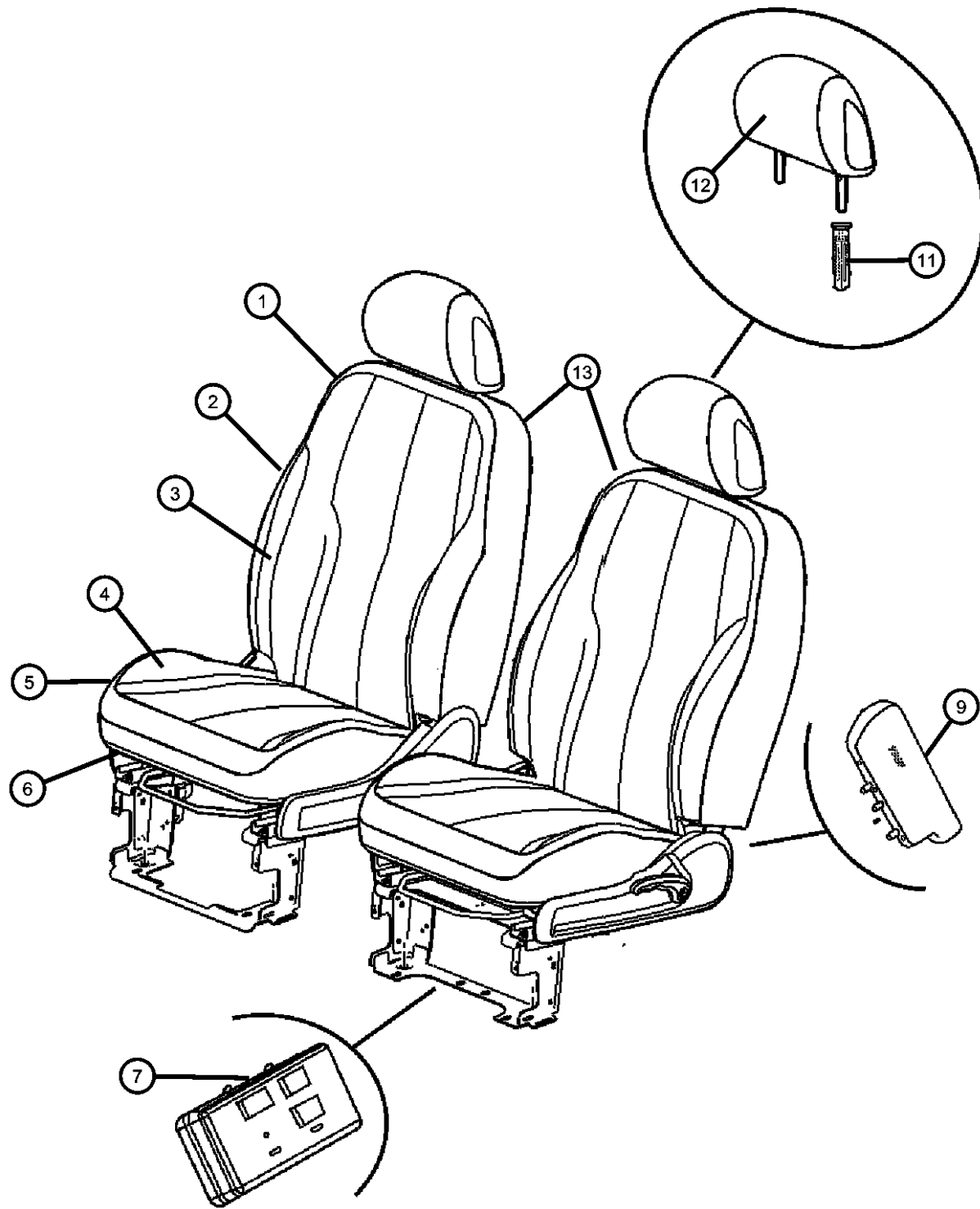
ENGINE
 EDJ = 2.2L 4 Cyl Turbo Diesel Engine
 EDT = 2.4L 4 Cyl DOHC 16V Turbo Engine
 EDV = 2.4L 4 Cyl DOHC 16V HO Turbo Engine
 EDZ = 2.4L 4 Cyl DOHC 16V SMPI Engine
 EJD = 1.6L 4 Cyl SOHC 16V SMPI

TRANSMISSION
 DGL = 4-Speed Automatic Transmission
 DD5 = 5-Speed Manual Transmission
 DDD = 5-Speed HD Manual Transmission

AR = use ase required - = Non illustrated part

2006 PT

**Front Seat - Trim Code [P7] - 44 Body
Figure IPT-505**



ITEM	PART NUMBER	QTY	LINE	SERIES	BODY	ENGINE	TRANS	TRIM	DESCRIPTION
		1	C		44			*P7	[DA] , With [EAD], Left
		1	C		44			*P7	[DA] , With [CJ1], Left
	1CW791K2AA	1	C		44			*P7	[KA] , With [CJ1], Left
		1	C		44			*P7	[KA] , With [EAD], Left
	1CW841D5AA	1	C		44			*P7	[DA] , Right
	1CW851D5AA	1	C		44			*P7	[DA] , With [CDW], Left
	1CW851K2AA	1	C		44			*P7	[KA] , With [CDW], Left
	1CW861D5AA	1	C		44			*P7	[DA] , With [CJ1], Right
	1CX041D5AA	1	C		44			*P7	[DA] , With [CDW], Right
	1CX041K2AA	1	C		44			*P7	[KA] , With [CDW], Right
	1CX061D5AA	1	C		44			*P7	[DA] , With [EAD], Right
	1CX061K2AA	1	C		44			*P7	[KA] , With [CJ1], Right
		1	C		44			*P7	[KA] , With [EAD], Right
	1CX141D5AA	1	Z		44			*P7	[DA] , With [ABA], Right
		1	Z		44			*P7	[DA] , Right
	1CX141K2AA	1	Z		44			*P7	[KA] , With [EAD], Right
		1	Z		44			*P7	[KA] , With [ABA], Right
		1	Z		44			*P7	[KA] , Right
	1CX091D5AA	1	Z		44			*P7	[DA] , With [EAD], Left
		1	Z		44			*P7	[DA] , With [ABA], Left
		1	Z		44			*P7	[DA] , Left
	1CX091K2AA	1	Z		44			*P7	[KA] , Left
		1	Z		44			*P7	[KA] , With [ABA], Left
		1	Z		44			*P7	[KA] , With [EAD], Left
		1	Z		44			*P7	[DA] , With [EAD], Right
4									COVER, Front Seat Cushion
	1CY501D5AA	1	C		44			*P7	[DA] , Without [JPS], Right & Left
		1	Z		44			*P7	[DA] , With [EAD], Right
		1	C		44			*P7	[DA] , With [EAD], Right
		1	Z		44			*P7	[DA] , With [ABA], Right
		1	Z		44			*P7	[DA] , Without [ABA], Right

PT CRUISER (PT)

SERIES LINE
H = HIGHLINE C = CHRYSLER
P = PREMIUM Z = CHRYSLER (RHD)
S = SPORT
X = SPECIAL

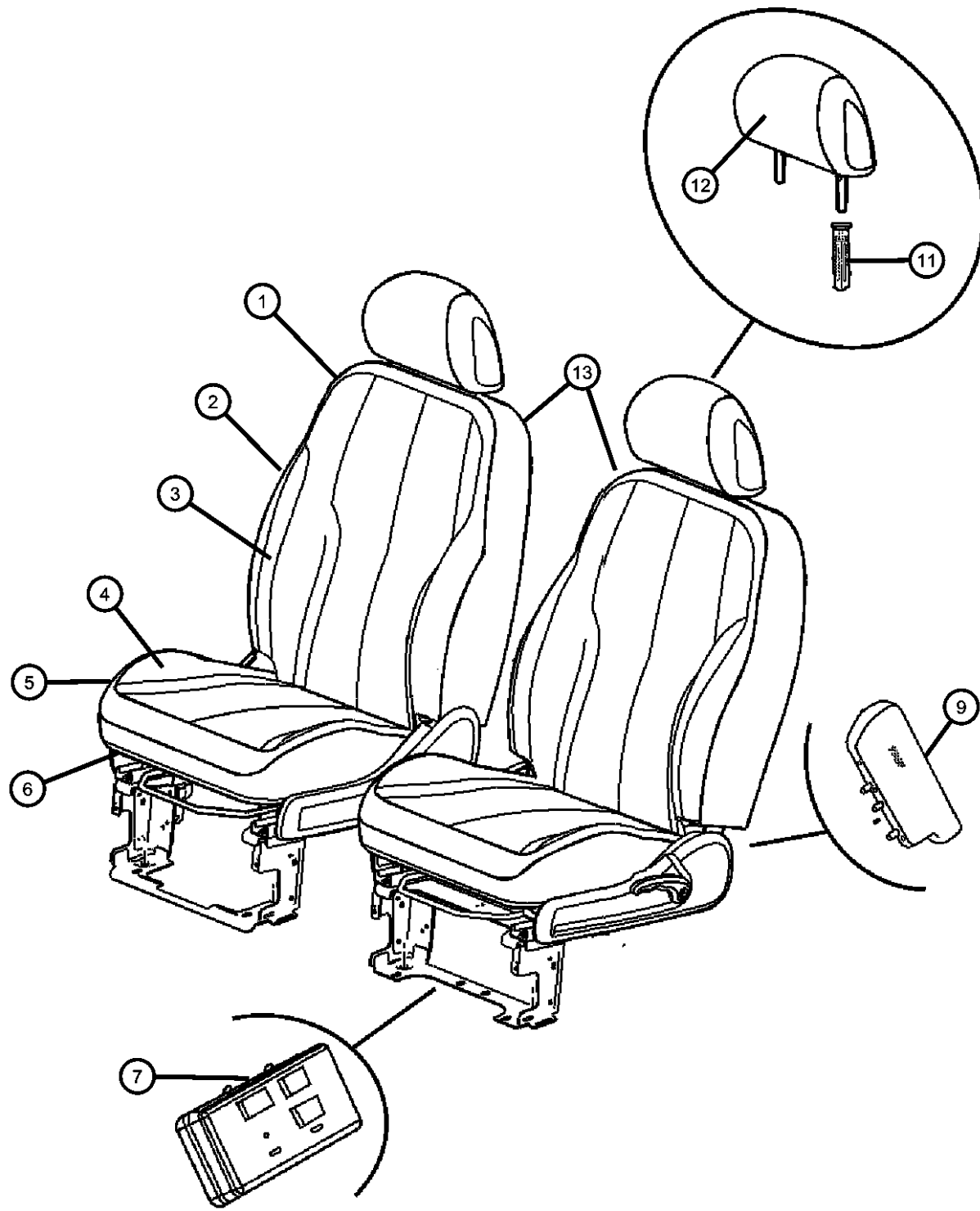
BODY
27 = 2-DR CONVERTIBLE
44 = HATCHBACK/QUAD
CAB CHASSIS LWB

ENGINE TRANSMISSION
EDJ = 2.2L 4 Cyl Turbo Diesel Engine
EDT = 2.4L 4 Cyl DOHC 16V Turbo Engine
EDV = 2.4L 4 Cyl DOHC 16V HO Turbo Engine
EDZ = 2.4L 4 Cyl DOHC 16V SMPI Engine
EJD = 1.6L 4 Cyl SOHC 16V SMPI
DGL = 4-Speed Automatic Transmission
DD5 = 5-Speed Manual Transmission
DDD = 5-Speed HD Manual Transmission

AR = use ase required - = Non illustrated part

2006 PT

**Front Seat - Trim Code [P7] - 44 Body
Figure IPT-505**



ITEM	PART NUMBER	QTY	LINE	SERIES	BODY	ENGINE	TRANS	TRIM	DESCRIPTION
	1CY501K2AA	1	Z		44			*P7	[KA] , With [EAD], Right
		1	C		44			*P7	[KA] , With [EAD], Right
		1	Z		44			*P7	[KA] , With [ABA], Right
		1	Z		44			*P7	[KA] , Without [ABA], Right
	1CY511D5AA	1	C		44			*P7	[DA] , With [JPS], Right & Left
		1	C		44			*P7	[DA] , With [EAD], Left
		1	C		44			*P7	[KA] , Without [JPS], Right & Left
	1CY591K2AA	1	Z		44			*P7	[KA] , With [ABA], Left
	1CY511K2AA	1	C		44			*P7	[KA] , With [JPS], Right & Left
		1	C		44			*P7	[KA] , With [EAD], Left
	1CY591D5AA	1	Z		44			*P7	[DA] , With [EAD], Left
		1	Z		44			*P7	[DA] , With [ABA], Left
		1	Z		44			*P7	[DA] , Without [ABA], Left
		1	Z		44			*P7	[KA] , Without [ABA], Left
		1	Z		44			*P7	[KA] , With [EAD], Left
5									FOAM, Seat Cushion
	05175654AA	1	C		44			*P7	Right & Left
	05175680AA	1	C		44			*P7	With [EAD], Left
	05175715AA	1	Z		44			*P7	Left
		1	Z		44			*P7	With [EAD], Right
		1	Z		44			*P7	With [ABA], Right
		1	Z		44			*P7	Right
		1	C		44			*P7	With [EAD], Right
		1	Z		44			*P7	With [ABA], Left
		1	Z		44			*P7	With [EAD], Left
6									FRAME, Seat cushion
	05175652AA	1	C		44			*P7	Right
	05175653AA	1	C		44			*P7	Left
	05175717AA	1	Z		44			*P7	Without [ABA], Left
		1	Z		44			*P7	With [ABA], Left
	05175718AA	1	Z		44			*P7	With [EAD], Right

PT CRUISER (PT)

SERIES LINE
H = HIGHLINE C = CHRYSLER
P = PREMIUM Z = CHRYSLER (RHD)
S = SPORT
X = SPECIAL

BODY
27 = 2-DR CONVERTIBLE
44 = HATCHBACK/QUAD
CAB CHASSIS LWB

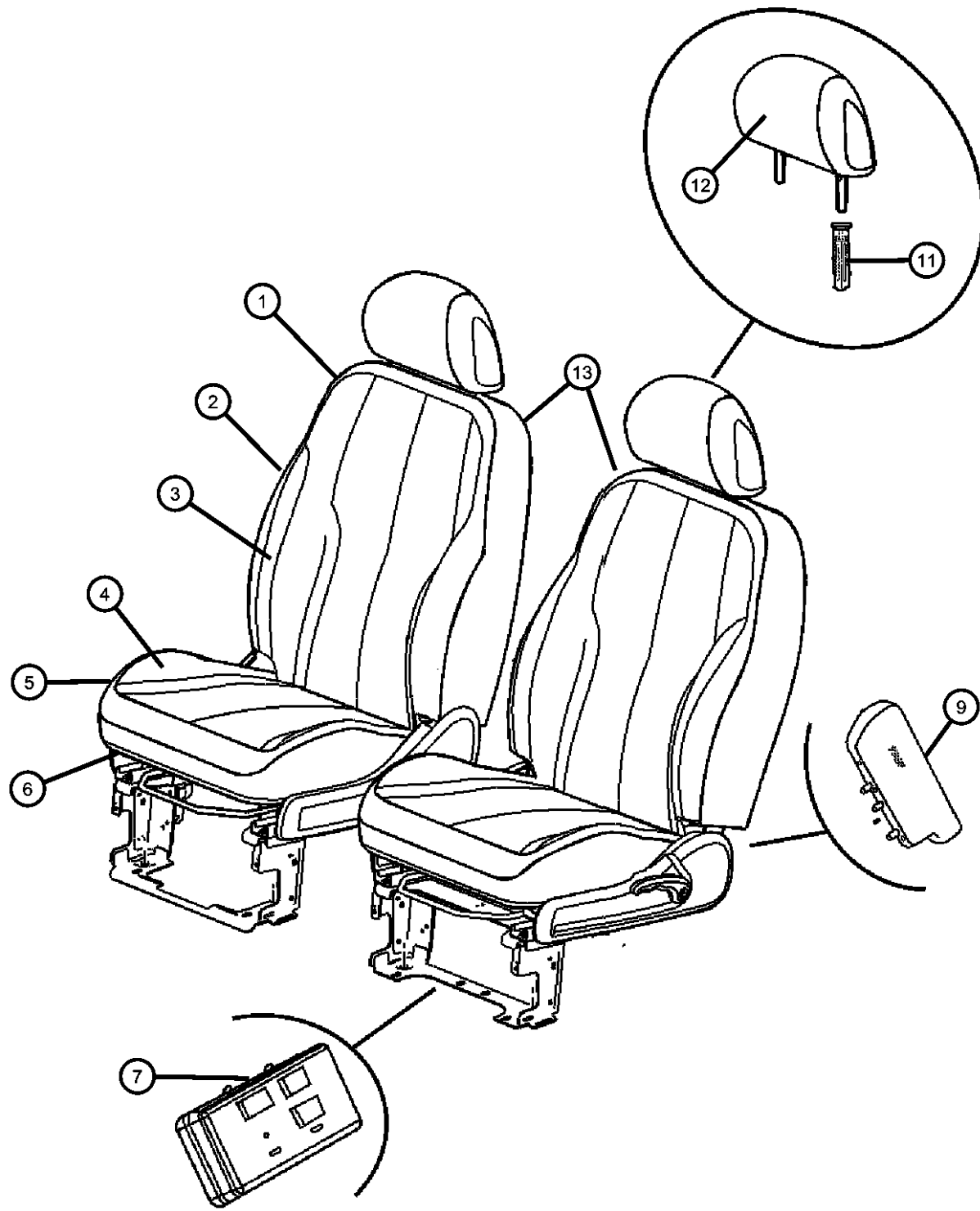
ENGINE
EDJ = 2.2L 4 Cyl Turbo Diesel Engine
EDT = 2.4L 4 Cyl DOHC 16V Turbo Engine
EDV = 2.4L 4 Cyl DOHC 16V HO Turbo Engine
EDZ = 2.4L 4 Cyl DOHC 16V SMPI Engine
EJD = 1.6L 4 Cyl SOHC 16V SMPI

TRANSMISSION
DGL = 4-Speed Automatic Transmission
DD5 = 5-Speed Manual Transmission
DDD = 5-Speed HD Manual Transmission

AR = use ase required - = Non illustrated part

2006 PT

Front Seat - Trim Code [P7] - 44 Body
Figure IPT-505



ITEM	PART NUMBER	QTY	LINE	SERIES	BODY	ENGINE	TRANS	TRIM	DESCRIPTION
		1	Z		44			*P7	With [ABA], Right
		1	Z		44			*P7	Without [ABA], Right
		1	C		44			*P7	With [EAD], Right
	05175721AA	1	C		44			*P7	With [EAD], Left
		1	Z		44			*P7	With [EAD], Left
7	05084006AG	1	C		44			*P7	MODULE, Occupant Classification
-8									BRACKET, Module
	05175667AA	1	Z		44			*P7	
		1	C		44			*P7	
		1	Z		44			*P7	With [ABA]
9									AIR BAG, Seat
	04645986AA	2	Z		44			*P7	With [ABA]
		2	C		44			*P7	
		2	Z		44			*P7	
-10									BRACKET
	04645988AA	2	C		44			*P7	
		2	Z		44			*P7	
		2	Z		44			*P7	With [ABA]
11									SLEEVE, Headrest
	1DS911D5AA	1	C		44			*P7	[DA], Locking
	05175661AA	1	C		44			*P7	, Slave Cylinder
		1	Z		44			*P7	Slave Cylinder
		1	Z		44			*P7	[DA], Locking
	1DS911K2AA	1	C		44			*P7	[KA], Locking
		1	Z		44			*P7	[KA], Locking
12									HEADREST, Front
	1CW001K2AA	1	C		44			*P7	[KA]
		1	Z		44			*P7	[KA]
		1	Z		44			*P7	[KA] , With [ABA]
	1CW001D5AA	1	C		44			*P7	[DA]
		1	Z		44			*P7	[DA] , With [ABA]

PT CRUISER (PT)

SERIES LINE
H = HIGHLINE C = CHRYSLER
P = PREMIUM Z = CHRYSLER (RHD)
S = SPORT
X = SPECIAL

BODY
27 = 2-DR CONVERTIBLE
44 = HATCHBACK/QUAD
CAB CHASSIS LWB

ENGINE
EDJ = 2.2L 4 Cyl Turbo Diesel Engine
EDT = 2.4L 4 Cyl DOHC 16V Turbo Engine
EDV = 2.4L 4 Cyl DOHC 16V HO Turbo Engine
EDZ = 2.4L 4 Cyl DOHC 16V SMPI Engine
EJD = 1.6L 4 Cyl SOHC 16V SMPI

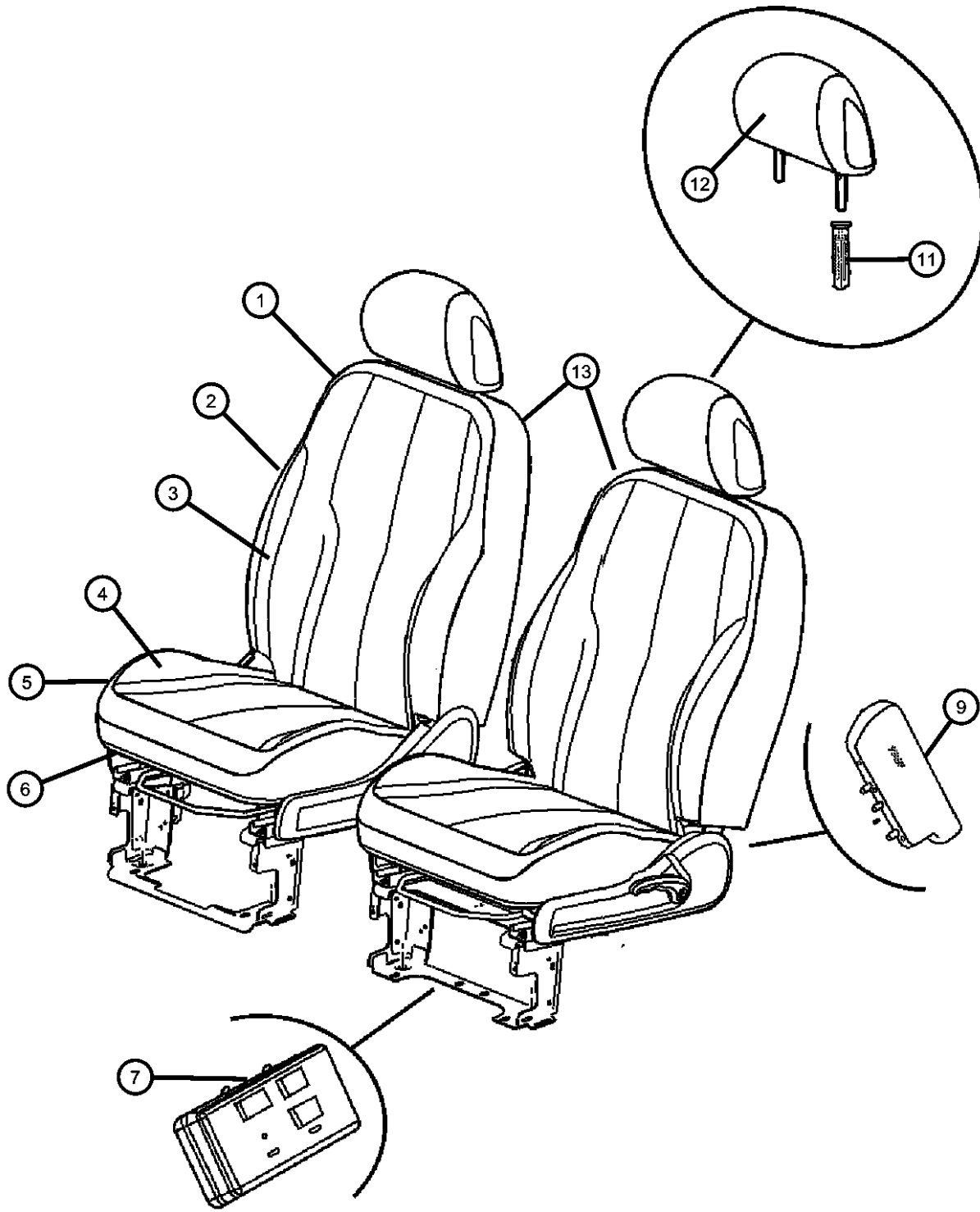
TRANSMISSION
DGL = 4-Speed Automatic Transmission
DD5 = 5-Speed Manual Transmission
DDD = 5-Speed HD Manual Transmission

AR = use ase required - = Non illustrated part

2006 PT

Front Seat - Trim Code [P7] - 44 Body
Figure IPT-505

ITEM	PART NUMBER	QTY	LINE	SERIES	BODY	ENGINE	TRANS	TRIM	DESCRIPTION
13		1	Z		44			*P7	[DA] PANEL, Front Seat Back
	1CW491D5AA	1	C		44			*P7	[DA]
		1	Z		44			*P7	[DA]
	1CW491K2AA	1	Z		44			*P7	[KA]
	1CW491KAAA	1	C		44			*P7	[KA]



PT CRUISER (PT)

SERIES LINE
H = HIGHLINE C = CHRYSLER
P = PREMIUM Z = CHRYSLER (RHD)
S = SPORT
X = SPECIAL

BODY
27 = 2-DR CONVERTIBLE
44 = HATCHBACK/QUAD
CAB CHASSIS LWB

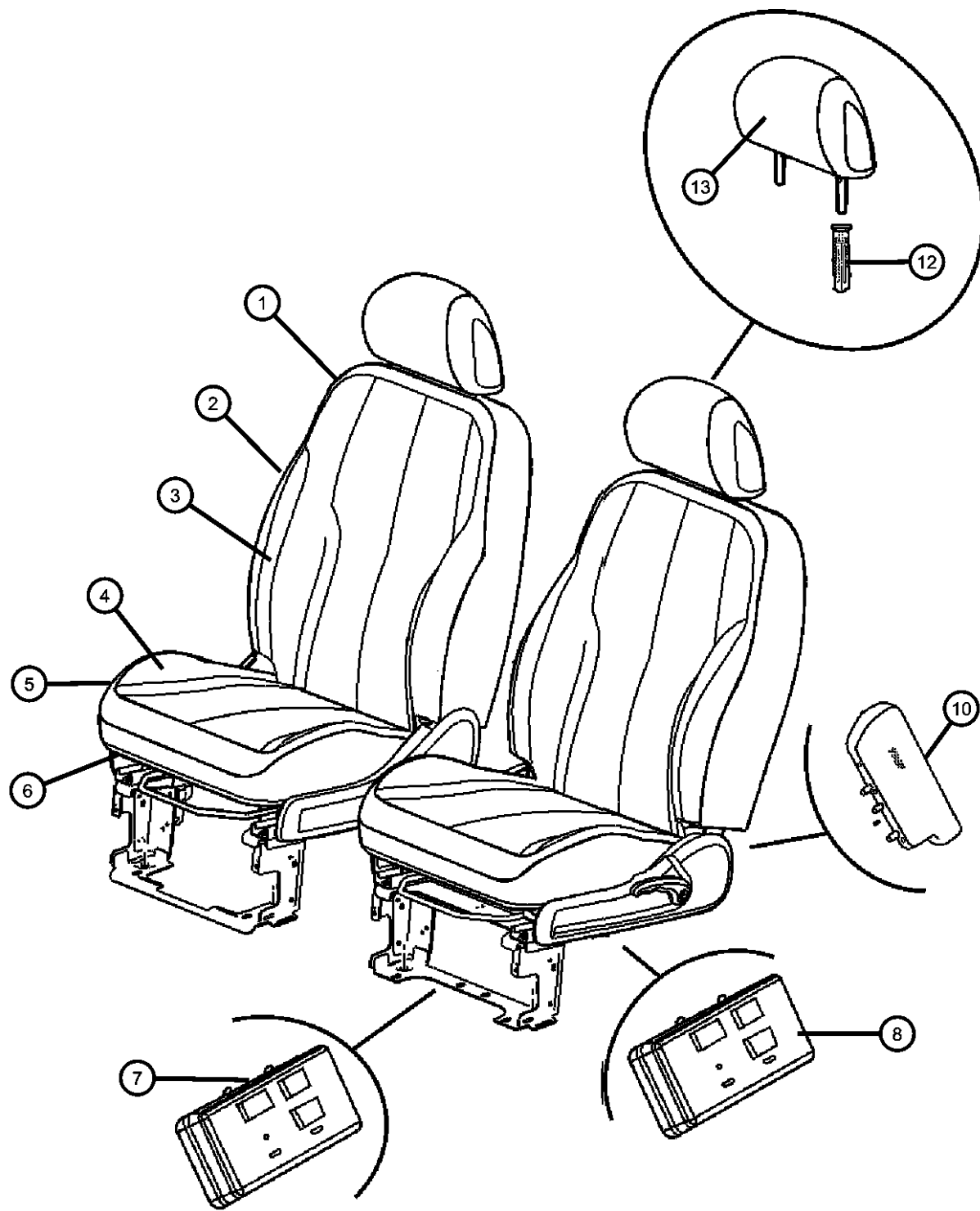
ENGINE
EDJ = 2.2L 4 Cyl Turbo Diesel Engine
EDT = 2.4L 4 Cyl DOHC 16V Turbo Engine
EDV = 2.4L 4 Cyl DOHC 16V HO Turbo Engine
EDZ = 2.4L 4 Cyl DOHC 16V SMPI Engine
EJD = 1.6L 4 Cyl SOHC 16V SMPI

TRANSMISSION
DGL = 4-Speed Automatic Transmission
DD5 = 5-Speed Manual Transmission
DDD = 5-Speed HD Manual Transmission

AR = use ase required - = Non illustrated part

2006 PT

Front Seat - Trim Code [CL]
Figure IPT-510



ITEM	PART NUMBER	QTY	LINE	SERIES	BODY	ENGINE	TRANS	TRIM	DESCRIPTION
1									FRAME, Front Seat Back, Include Recliners
	05175674AA	1	C		44			*CL	Right
	05175683AA	1	C		44			*CL	Left
	05175824AA	1	C		27			*CL	Right
	05175825AA	1	C		27			*CL	Left
	05175880AA	1	Z		27			*CL	Right
	05175881AA	1	Z		27			*CL	Left
2									FOAM, Seat Back
	05175664AA	1	C		27			*CL	Right
		1	Z		27			*CL	Left
	05175665AA	1	C		27			*CL	Left
	05175685AA	1	C		44			*CL	Right
		1	C		44			*CL	Left
		1	Z		27			*CL	Right
3									COVER, Front Seat Back
	1CX051D5AA	1	C		44			*CL	[DA], Left
	1CX051KAAA	1	C		44			*CL	[KA], Left
	1CX171D5AA	1	C		27			*CL	[DA], Left
	1CX171KAAA	1	C		27			*CL	[KA], Left
	1CX101D5AA	1	C		44			*CL	[DA], Right
	1CX101KAAA	1	C		44			*CL	[KA], Right
	1CX311KAAA	1	Z		27			*CL	[KA], Left
	1CX461D5AA	1	Z		27			*CL	[DA], Right
	1CX461KAAA	1	Z		27			*CL	[KA], Right
	1CX221D5AA	1	C		27			*CL	[DA], Right
	1CX221KAAA	1	C		27			*CL	[KA], Right
	1CX311D5AA	1	Z		27			*CL	[DA], Left
4									COVER, Front Seat Cushion
	1CY541KAAA	1	C		27			*CL	[KA] , Export, Right
		1	C		44			*CL	[KA], Right
	1CY541D5AA	1	C		27			*CL	[DA], Right

PT CRUISER (PT)

SERIES LINE
H = HIGHLINE C = CHRYSLER
P = PREMIUM Z = CHRYSLER (RHD)
S = SPORT
X = SPECIAL

BODY
27 = 2-DR CONVERTIBLE
44 = HATCHBACK/QUAD
CAB CHASSIS LWB

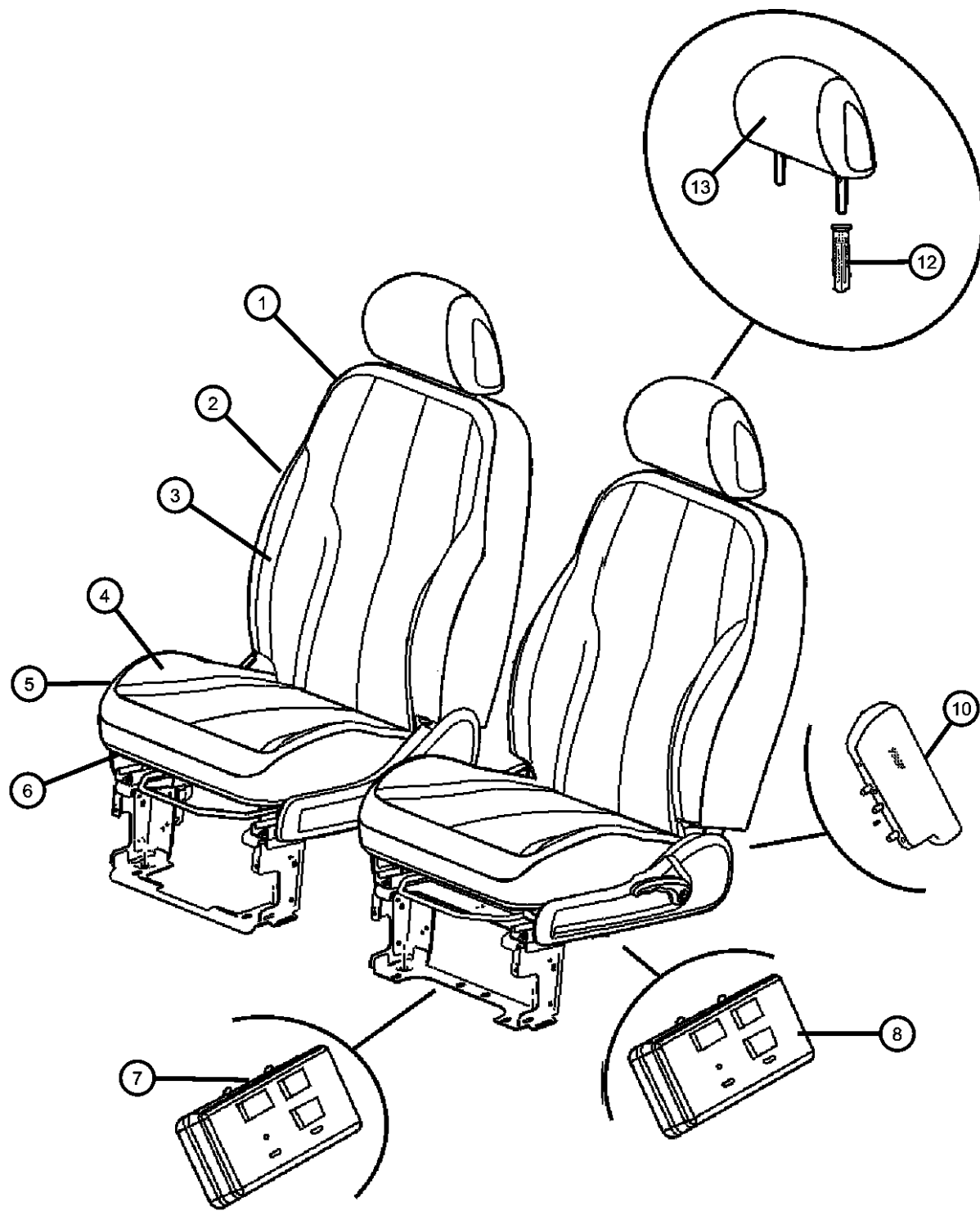
ENGINE
EDJ = 2.2L 4 Cyl Turbo Diesel Engine
EDT = 2.4L 4 Cyl DOHC 16V Turbo Engine
EDV = 2.4L 4 Cyl DOHC 16V HO Turbo Engine
EDZ = 2.4L 4 Cyl DOHC 16V SMPI Engine
EJD = 1.6L 4 Cyl SOHC 16V SMPI

TRANSMISSION
DGL = 4-Speed Automatic Transmission
DD5 = 5-Speed Manual Transmission
DDD = 5-Speed HD Manual Transmission

AR = use ase required - = Non illustrated part

2006 PT

Front Seat - Trim Code [CL]
Figure IPT-510



ITEM	PART NUMBER	QTY	LINE	SERIES	BODY	ENGINE	TRANS	TRIM	DESCRIPTION
		1	C		44			*CL	[DA], Right
		1	Z		27			*CL	[DA], Right
	1CY551KAAA	1	C		44			*CL	[KA], Left
		1	C		27			*CL	[KA], Right
		1	Z		27			*CL	[KA], Right
	1CY551D5AA	1	C		27			*CL	[DA], Left
		1	C		44			*CL	[DA], Left
		1	C		27			*CL	[KA], Export, Left
	1CY651D5AA	1	Z		27			*CL	[DA], Left
	1CY651KAAA	1	Z		27			*CL	[KA], Left
5									FOAM, Seat Cushion
	05175654AA	1	C		27			*CL	Right
		1	C		44			*CL	Right
		1	Z		27			*CL	Right
	05175680AA	1	C		27			*CL	Left
		1	C		44			*CL	Left
	05175715AA	1	Z		27			*CL	Left
6									FRAME, Seat cushion
	05175652AA	1	C		44			*CL	Right
	05175826AA	1	C		27			*CL	Right
	05175877AA	1	C		27			*CL	Export, Right
	05175882AA	1	Z		27			*CL	Right
	05175679AA	1	C		44			*CL	Left
		1	C		27			*CL	Left
	05175717AA	1	Z		27			*CL	Left
	05175718AA	1	C		44			*CL	Export, Right
	05175721AA	1	C		44			*CL	Export, Left
		1	C		27			*CL	Export, Left
7									MODULE, Occupant Classification
	05084006AG	1	C		44			*CL	
		1	C		27			*CL	

PT CRUISER (PT)

SERIES LINE
H = HIGHLINE C = CHRYSLER
P = PREMIUM Z = CHRYSLER (RHD)
S = SPORT
X = SPECIAL

BODY
27 = 2-DR CONVERTIBLE
44 = HATCHBACK/QUAD
CAB CHASSIS LWB

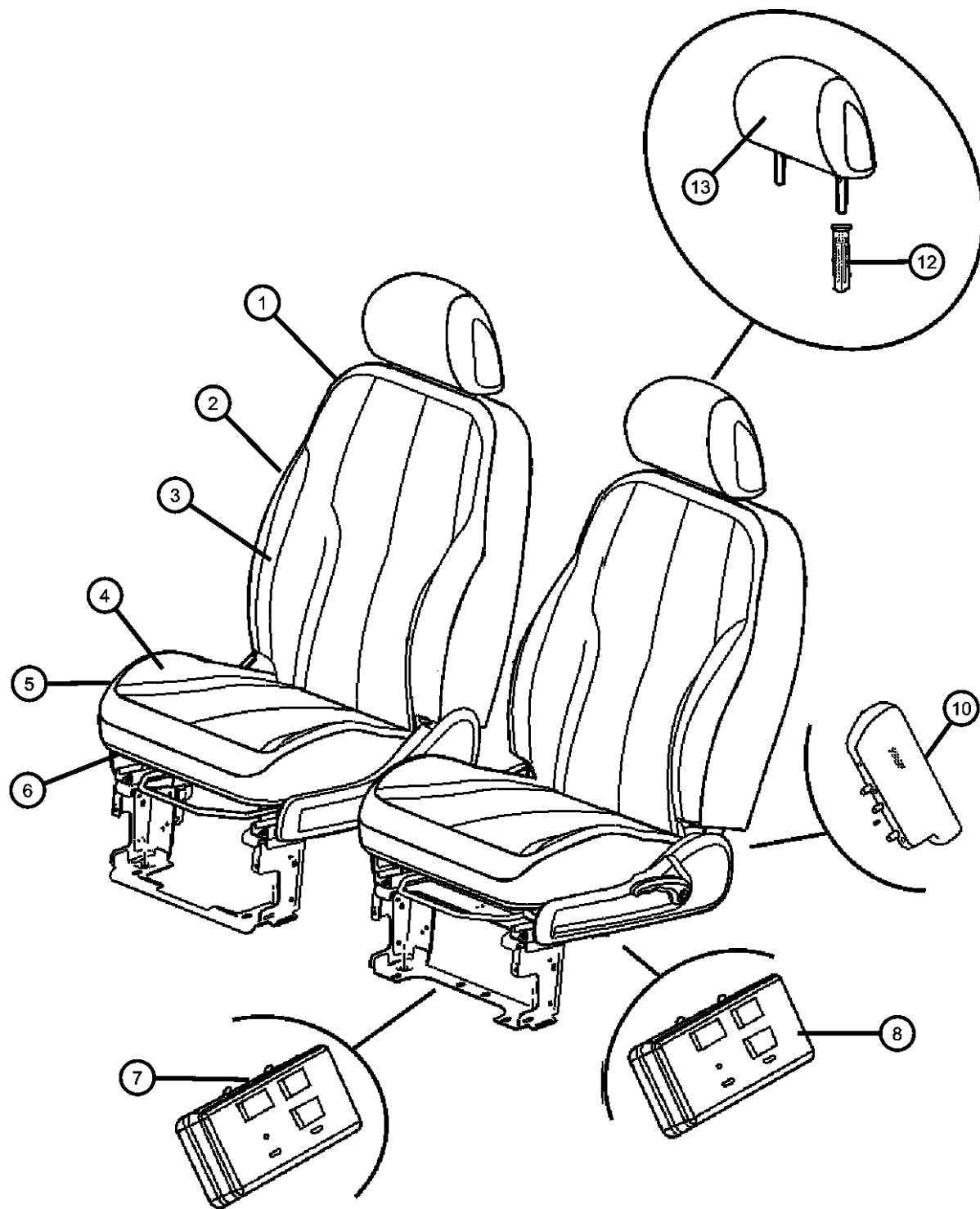
ENGINE
EDJ = 2.2L 4 Cyl Turbo Diesel Engine
EDT = 2.4L 4 Cyl DOHC 16V Turbo Engine
EDV = 2.4L 4 Cyl DOHC 16V HO Turbo Engine
EDZ = 2.4L 4 Cyl DOHC 16V SMPI Engine
EJD = 1.6L 4 Cyl SOHC 16V SMPI

TRANSMISSION
DGL = 4-Speed Automatic Transmission
DD5 = 5-Speed Manual Transmission
DDD = 5-Speed HD Manual Transmission

AR = use ase required - = Non illustrated part

2006 PT

Front Seat - Trim Code [CL]
Figure IPT-510



ITEM	PART NUMBER	QTY	LINE	SERIES	BODY	ENGINE	TRANS	TRIM	DESCRIPTION
-8									BRACKET, Module
	05175667AA	1	C		27			*CL	
		1	C		44			*CL	
		1	Z		27			*CL	
9									AIR BAG, Seat
	04645986AA	2	C		44			*CL	
		2	C		27			*CL	
		2	Z		27			*CL	
-10									BRACKET
	04645988AA	2	C		44			*CL	
		2	C		27			*CL	
11									SLEEVE, Headrest
	1DS911D5AA	1	C		44			*CL	[DA], Locking
	1DS911KAAA	1	C		44			*CL	[KA], Locking
	1DS941D5AA	1	C		44			*CL	[DA], Slave Cylinder
	1DS941KAAA	1	C		44			*CL	[KA], Slave Cylinder
12									HEADREST, Front
	1CW001D5AA	1	C		44			*CL	[DA]
	1CW001KAAA	1	C		44			*CL	[KA]
	1CX021D5AA	1	Z		27			*CL	[DA]
	1CX021KAAA	1	C		27			*CL	[KA]
-13									PAD, Heater
	05000026AA	1	C		44			*CL	Seat Back, Passenger
		1	C		27			*CL	Seat Back, Passenger
		1	Z		27			*CL	Seat Back, Passenger
	05000038AA	1	C		44			*CL	Seat Back, Driver
	05000025AA	1	C		44			*CL	Cushion, Right & Left
		1	C		27			*CL	Cushion, Right & Left
		1	Z		27			*CL	Cushion, Right & Left
		1	C		27			*CL	Seat Back, Driver
		1	Z		27			*CL	Seat Back, Driver

PT CRUISER (PT)

SERIES LINE
H = HIGHLINE C = CHRYSLER
P = PREMIUM Z = CHRYSLER (RHD)
S = SPORT
X = SPECIAL

BODY
27 = 2-DR CONVERTIBLE
44 = HATCHBACK/QUAD
CAB CHASSIS LWB

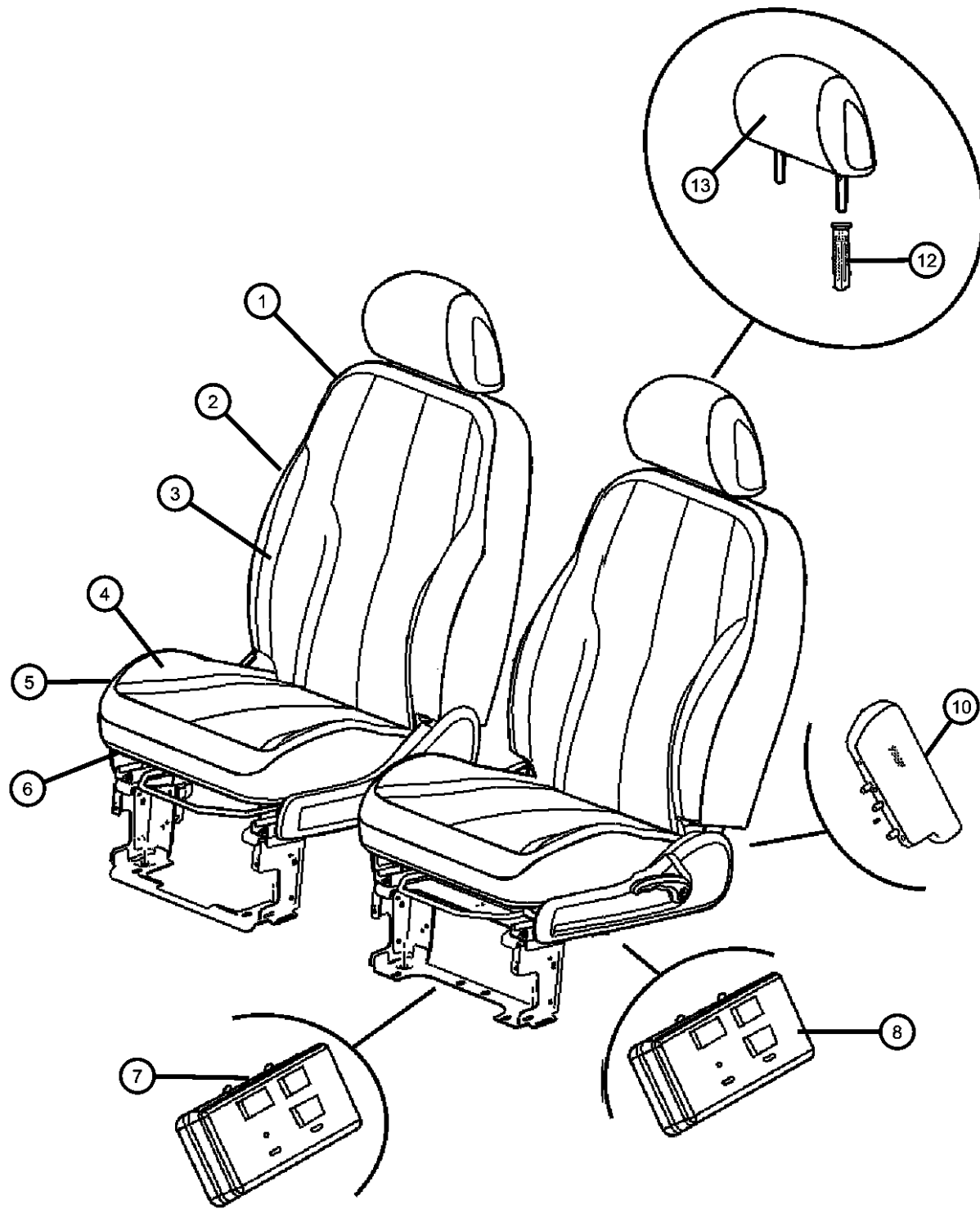
ENGINE
EDJ = 2.2L 4 Cyl Turbo Diesel Engine
EDT = 2.4L 4 Cyl DOHC 16V Turbo Engine
EDV = 2.4L 4 Cyl DOHC 16V HO Turbo Engine
EDZ = 2.4L 4 Cyl DOHC 16V SMPI Engine
EJD = 1.6L 4 Cyl SOHC 16V SMPI

TRANSMISSION
DGL = 4-Speed Automatic Transmission
DD5 = 5-Speed Manual Transmission
DDD = 5-Speed HD Manual Transmission

AR = use ase required - = Non illustrated part

2006 PT

Front Seat - Trim Code [XL]
Figure IPT-515



ITEM	PART NUMBER	QTY	LINE	SERIES	BODY	ENGINE	TRANS	TRIM	DESCRIPTION
1									FRAME, Front Seat Back, Include Recliners
	05175825AA	1	C		27			*XL	Left
	05175824AA	1	C		27			*XL	Right
2									FOAM, Seat Back
	05175664AA	1	C		27			*XL	Right
	05175665AA	1	C		27			*XL	Left
3									COVER, Front Seat Back
	1CX191K2AA	1	C		27			*XL	Left
	1CX261K2AA	1	C		27			*XL	Right
4									COVER, Front Seat Cushion
	1CY621K2AA	1	C		27			*XL	Right
	1CY631K2AA	1	C		27			*XL	Left
5									FOAM, Seat Cushion
	05175654AA	1	C		27			*XL	Right
	05175680AA	1	C		27			*XL	Left
6									FRAME, Seat cushion
	05175679AA	1	C		27			*XL	Left
	05175826AA	1	C		27			*XL	Right
7	05084006AG	1	C		27			*XL	MODULE, Occupant Classification
-8	05175667AA	1	C		27			*XL	BRACKET, Module
9	04645986AA	2	C		27			*XL	AIR BAG, Seat
-10	05179079AA	1	C		27			*XL	BRACKET
11									SLEEVE, Headrest
	1DS911K2AA	1	C		27			*XL	Locking
	1DS941K2AA	1	C		27			*XL	Slave Cylinder
12	1CX021K2AA	1	C		27			*XL	HEADREST, Front
-13	1AY161K2AA	1	C		27			*XL	GUIDE, Seat Belt
-14									PAD, Heater
	05000025AA	1	C		27			*XL	Cushion
	05000038AA	1	C		27			*XL	Seat Back

PT CRUISER (PT)

SERIES LINE
H = HIGHLINE C = CHRYSLER
P = PREMIUM Z = CHRYSLER (RHD)
S = SPORT
X = SPECIAL

BODY
27 = 2-DR CONVERTIBLE
44 = HATCHBACK/QUAD
CAB CHASSIS LWB

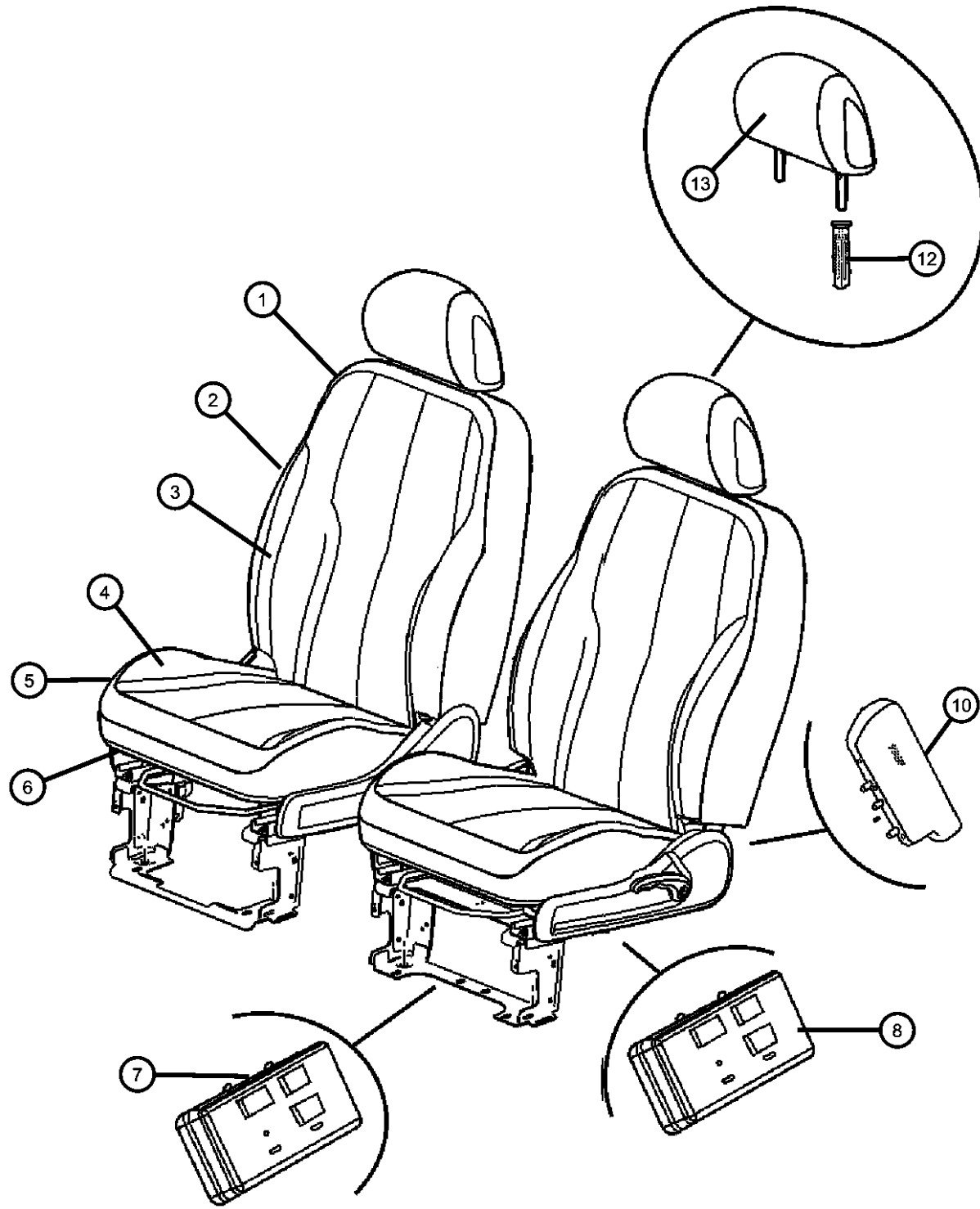
ENGINE
EDJ = 2.2L 4 Cyl Turbo Diesel Engine
EDT = 2.4L 4 Cyl DOHC 16V Turbo Engine
EDV = 2.4L 4 Cyl DOHC 16V HO Turbo Engine
EDZ = 2.4L 4 Cyl DOHC 16V SMPI Engine
EJD = 1.6L 4 Cyl SOHC 16V SMPI

TRANSMISSION
DGL = 4-Speed Automatic Transmission
DD5 = 5-Speed Manual Transmission
DDD = 5-Speed HD Manual Transmission

AR = use ase required - = Non illustrated part

2006 PT

Front Seat - Trim Code [E7]
Figure IPT-520



ITEM	PART NUMBER	QTY	LINE	SERIES	BODY	ENGINE	TRANS	TRIM	DESCRIPTION
1									FRAME, Front Seat Back, Include Recliners
	05175674AA	1	C		44			*E7	Right
	05175683AA	1	C		44			*E7	Left
	05175824AA	1	C		27			*E7	Right
	05175825AA	1	C		27			*E7	Left
2									FOAM, Seat Back
	05175655AA	1	C		27			*E7	Right & Left
	05175664AA	1	C		27			*E7	With [CJ1], Right
	05175665AA	1	C		44			*E7	Left
	05175685AA	1	C		44			*E7	Right
3									COVER, Front Seat Back
	1CX071D5AA	1	C		44			*E7	[DA], Left
	1CX071K2AA	1	C		44			*E7	[KA], Left
	1CX121D5AA	1	C		44			*E7	[DA], Right
	1CX121K2AA	1	C		44			*E7	[KA], Right
	1CX131D5AA	1	C		27			*E7	[DA], Left
	1CX131K2AA	1	C		27			*E7	[KA], Left
	1CX151D5AA	1	C		27			*E7	[DA], With [CJ1], Left
	1CX151K2AA	1	C		27			*E7	[KA], With [CJ1], Left
	1CX201D5AA	1	C		27			*E7	[DA], With [CJ1], Right
	1CX201K2AA	1	C		27			*E7	[KA], With [CJ1], Right
	1CX181D5AA	1	C		27			*E7	[DA], Right
	1CX181K2AA	1	C		27			*E7	[KA], Right
4									COVER, Front Seat Cushion
	1DS991D5AA	1	C		44			*E7	[DA], Left
	1DS991K2AA	1	C		44			*E7	[KA], Left
	1GT201D5AA	1	C		44			*E7	[DA], Right
	1GT201K2AA	1	C		44			*E7	[KA], Right
5									FOAM, Seat Cushion
	05175654AA	1	C		27			*E7	Right
		1	C		44			*E7	Right

PT CRUISER (PT)

SERIES LINE
H = HIGHLINE C = CHRYSLER
P = PREMIUM Z = CHRYSLER (RHD)
S = SPORT
X = SPECIAL

BODY
27 = 2-DR CONVERTIBLE
44 = HATCHBACK/QUAD
CAB CHASSIS LWB

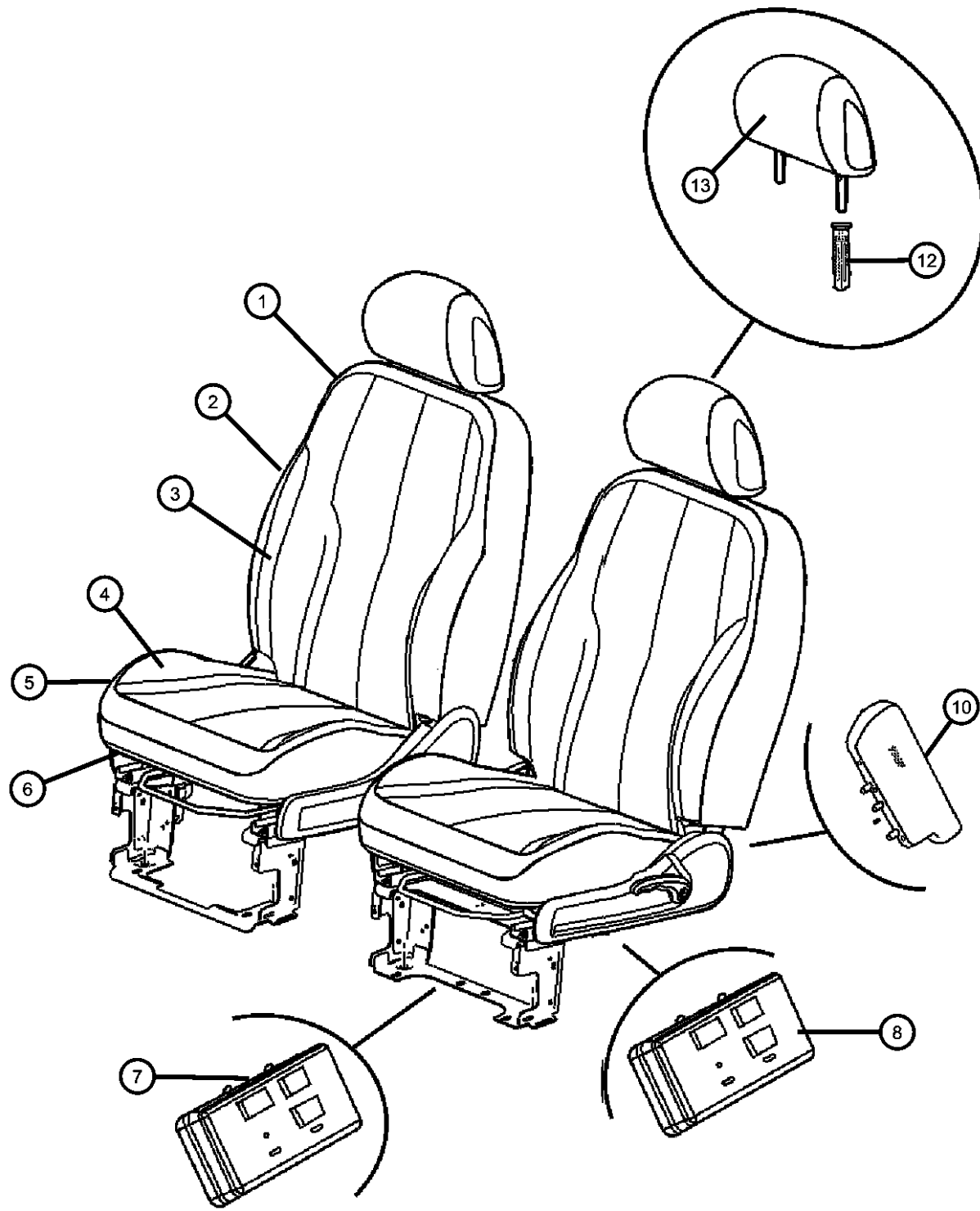
ENGINE
EDJ = 2.2L 4 Cyl Turbo Diesel Engine
EDT = 2.4L 4 Cyl DOHC 16V Turbo Engine
EDV = 2.4L 4 Cyl DOHC 16V HO Turbo Engine
EDZ = 2.4L 4 Cyl DOHC 16V SMPI Engine
EJD = 1.6L 4 Cyl SOHC 16V SMPI

TRANSMISSION
DGL = 4-Speed Automatic Transmission
DD5 = 5-Speed Manual Transmission
DDD = 5-Speed HD Manual Transmission

AR = use ase required - = Non illustrated part

2006 PT

Front Seat - Trim Code [E7]
Figure IPT-520



ITEM	PART NUMBER	QTY	LINE	SERIES	BODY	ENGINE	TRANS	TRIM	DESCRIPTION
	05175680AA	1	C		44			*E7	Left
		1	C		27			*E7	Left
6	05175652AA	1	C		44			*E7	Right
	05175679AA	1	C		27			*E7	Left
		1	C		44			*E7	Left
	05175826AA	1	C		27			*E7	Right
7									MODULE, Occupant Classification
	05084006AG	1	C		44			*E7	
		1	C		27			*E7	
-8									BRACKET, Module
	05175667AA	1	C		27			*E7	
		1	C		44			*E7	
9									AIR BAG, Seat
	04645986AA	2	C		44			*E7	
		2	C		27			*E7	
-10	04645988AA	2	C		44			*E7	BRACKET
11									SLEEVE, Headrest
	05175660AA	1	C		27			*E7	Locking
	05175661AA	1	C		27			*E7	Slave Cylinder
		1	C		44			*E7	Slave Cylinder
		1	C		44			*E7	Locking
12									HEADREST, Front
	1CW001D5AA	1	C		44			*E7	[DA]
	1CW001K2AA	1	C		44			*E7	[KA]
	1CX021D5AA	1	C		27			*E7	[DA]
	1CX021K2AA	1	C		27			*E7	[KA]
-13									GUIDE, Seat Belt
	1AY161D5AA	1	C		27			*E7	[DA]
	1AY161K2AA	1	C		27			*E7	[KA]

PT CRUISER (PT)

SERIES LINE
H = HIGHLINE C = CHRYSLER
P = PREMIUM Z = CHRYSLER (RHD)
S = SPORT
X = SPECIAL

BODY
27 = 2-DR CONVERTIBLE
44 = HATCHBACK/QUAD
CAB CHASSIS LWB

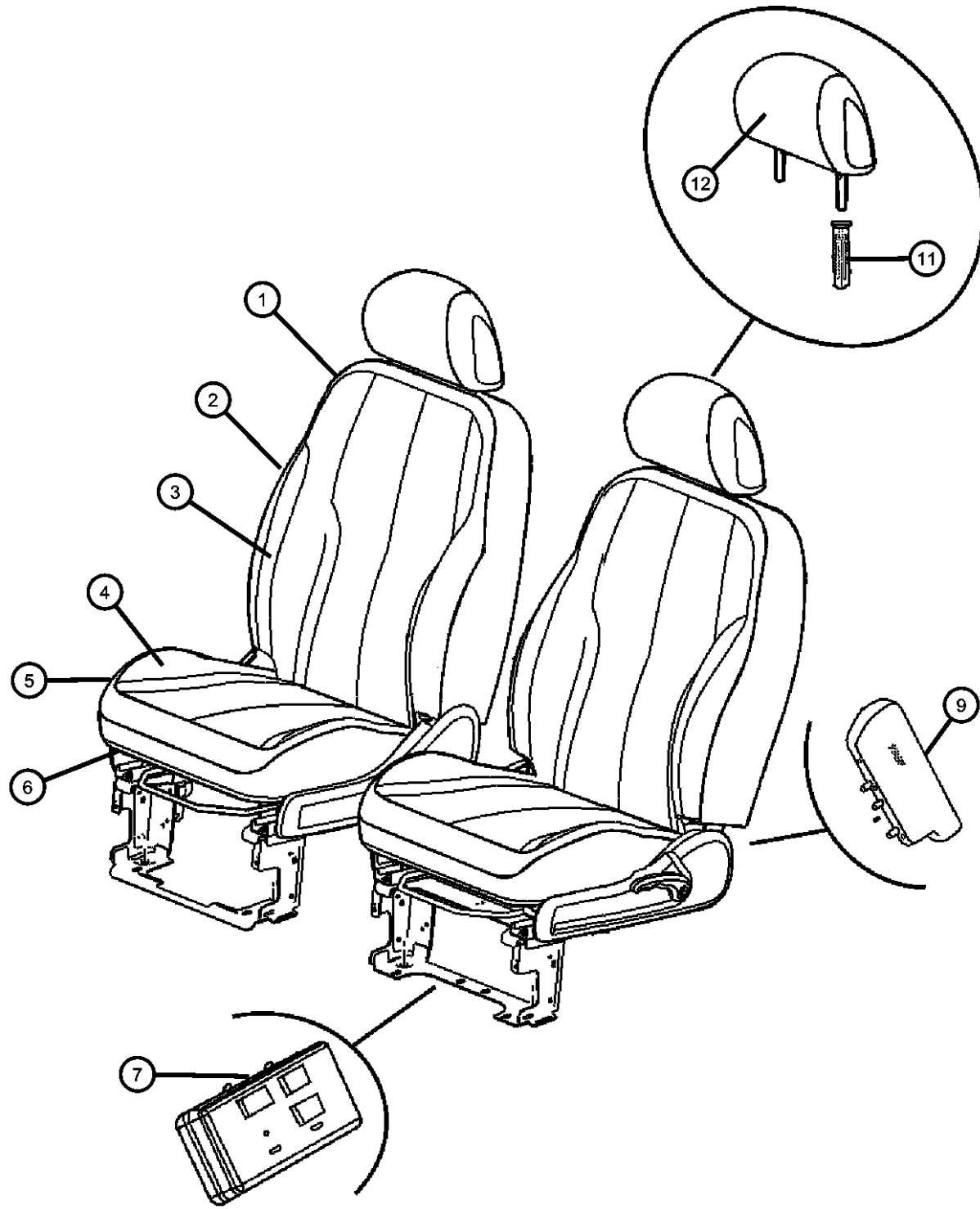
ENGINE
EDJ = 2.2L 4 Cyl Turbo Diesel Engine
EDT = 2.4L 4 Cyl DOHC 16V Turbo Engine
EDV = 2.4L 4 Cyl DOHC 16V HO Turbo Engine
EDZ = 2.4L 4 Cyl DOHC 16V SMPI Engine
EJD = 1.6L 4 Cyl SOHC 16V SMPI

TRANSMISSION
DGL = 4-Speed Automatic Transmission
DD5 = 5-Speed Manual Transmission
DDD = 5-Speed HD Manual Transmission

AR = use ase required - = Non illustrated part

2006 PT

Front Seat - Trim Code [TL]
Figure IPT-525



ITEM	PART NUMBER	QTY	LINE	SERIES	BODY	ENGINE	TRANS	TRIM	DESCRIPTION
------	-------------	-----	------	--------	------	--------	-------	------	-------------

Sales Codes

[ABA] = Australia Equipment Group
[CDW] = Front Passenger Forward Fold Flat
[CJ1] = Side Front Seat Air Bags
[[EAD] = All Diesel Engines
[JPS] = Power 6 -Way Driver Seat

1									FRAME, Front Seat Back, Include Recliners
	05175674AA	1	C		44			*TL	Right
		1	C		44			*TL	With [EAD], Right
	05175683AA	1	C		44			*TL	Left
		1	C		44			*TL	With [EAD], Left
	05175714AA	1	Z		44			*TL	With [ABA], Right
		1	Z		44			*TL	Right
		1	Z		44			*TL	With [EAD], Right
	05175725AA	1	Z		44			*TL	With [EAD], Left
		1	Z		44			*TL	Left
		1	Z		44			*TL	With [ABA], Left
2									FOAM, Seat Back
	05175664AA	1	Z		44			*TL	Left
		1	Z		44			*TL	With [EAD], Left
		1	Z		44			*TL	With [ABA], Left
	05175665AA	1	C		44			*TL	With [EAD], Left
		1	C		44			*TL	Left
	05175685AA	1	C		44			*TL	Right
		1	C		44			*TL	With [EAD], Right
	05175716AA	1	Z		44			*TL	Right
		1	Z		44			*TL	With [EAD], Right
		1	Z		44			*TL	With [ABA], Right
3									COVER, Front Seat Back
	1CX031D5AA	1	C		44			*TL	[DA], Left
		1	C		44			*TL	[DA], With [EAD], Left
	1CX031K2AA	1	C		44			*TL	[KA], Left
		1	C		44			*TL	[KA], With [EAD], Left

PT CRUISER (PT)

SERIES LINE
H = HIGHLINE C = CHRYSLER
P = PREMIUM Z = CHRYSLER (RHD)
S = SPORT
X = SPECIAL

BODY
27 = 2-DR CONVERTIBLE
44 = HATCHBACK/QUAD
CAB CHASSIS LWB

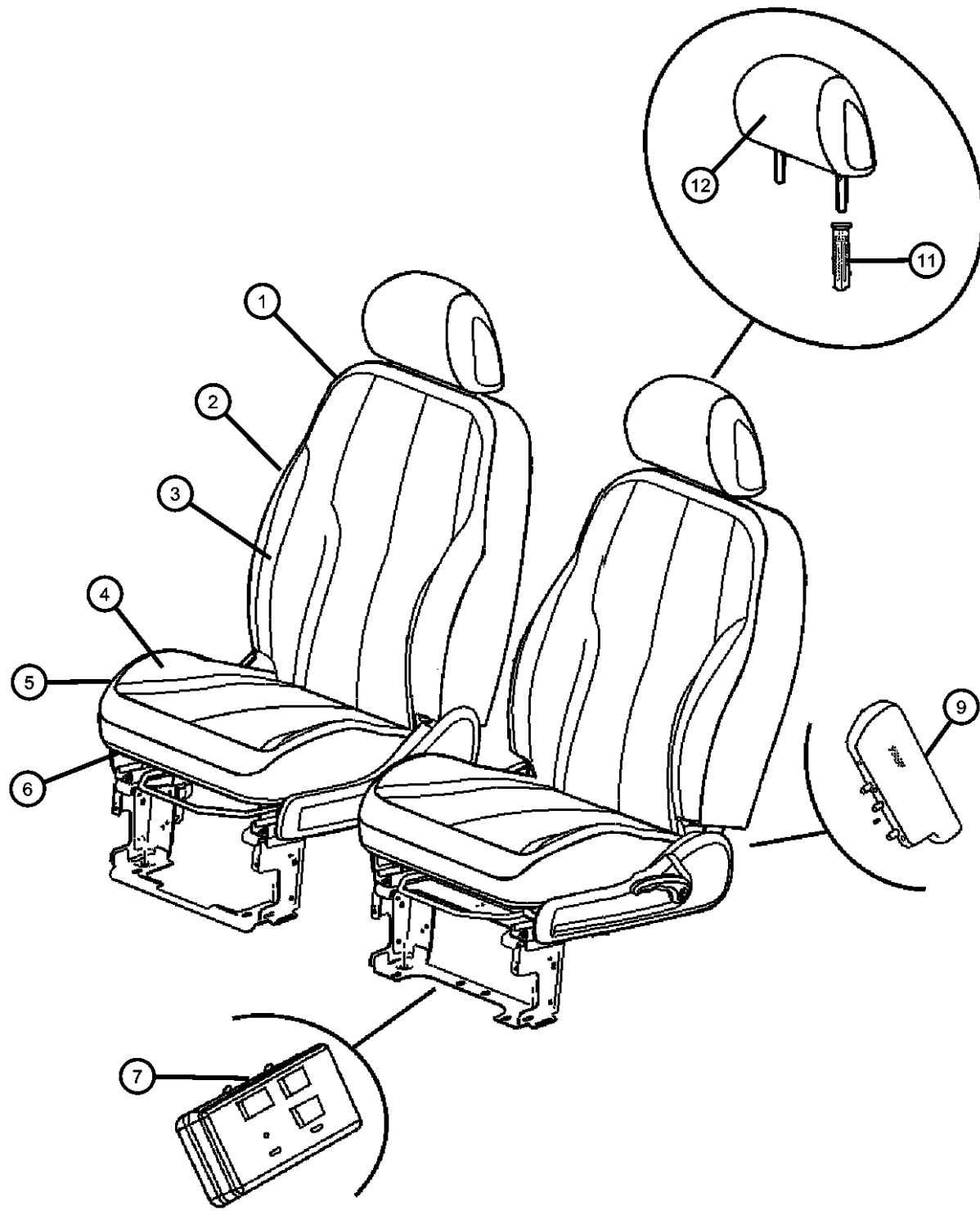
ENGINE
EDJ = 2.2L 4 Cyl Turbo Diesel Engine
EDT = 2.4L 4 Cyl DOHC 16V Turbo Engine
EDV = 2.4L 4 Cyl DOHC 16V HO Turbo Engine
EDZ = 2.4L 4 Cyl DOHC 16V SMPI Engine
EJD = 1.6L 4 Cyl SOHC 16V SMPI

TRANSMISSION
DGL = 4-Speed Automatic Transmission
DD5 = 5-Speed Manual Transmission
DDD = 5-Speed HD Manual Transmission

AR = use ase required - = Non illustrated part

2006 PT

Front Seat - Trim Code [TL]
Figure IPT-525



ITEM	PART NUMBER	QTY	LINE	SERIES	BODY	ENGINE	TRANS	TRIM	DESCRIPTION
	1CX081D5AA	1	C		44			*TL	[DA] , With [EAD], Right
		1	C		44			*TL	[DA], Right
	1CX081K2AA	1	C		44			*TL	[KA], Right
		1	C		44			*TL	[KA] , With [EAD], Right
	1CX111D5AA	1	Z		44			*TL	[DA], Right
		1	Z		44			*TL	[DA] , With [ABA], Right
		1	Z		44			*TL	[DA] , With [EAD], Right
	1CX111K2AA	1	Z		44			*TL	[KA], Right
		1	Z		44			*TL	[KA] , With [EAD], Right
		1	Z		44			*TL	[KA] , With [ABA], Right
	1CX161D5AA	1	Z		44			*TL	[DA], Left
		1	Z		44			*TL	[DA] , With [EAD], Left
		1	Z		44			*TL	[DA] , With [ABA], Left
	1CX161K2AA	1	Z		44			*TL	[KA], Left
		1	Z		44			*TL	[KA] , With [EAD], Left
		1	Z		44			*TL	[KA] , With [ABA], Left
4									COVER, Front Seat Cushion
	1CY521D5AA	1	C		44			*TL	[DA], Right
		1	C		44			*TL	[DA] , With [EAD], Right
		1	Z		44			*TL	[DA] , With [EAD], Right
		1	Z		44			*TL	[DA], Right
		1	Z		44			*TL	[DA] , With [ABA], Right
	1CY521K2AA	1	Z		44			*TL	[KA], Right
		1	C		44			*TL	[KA] , With [EAD], Right
		1	Z		44			*TL	[KA] , With [EAD], Right
		1	Z		44			*TL	[KA] , With [ABA], Right
		1	C		44			*TL	[KA], Right
	1CY531D5AA	1	C		44			*TL	[DA] , With [EAD], Left
		1	C		44			*TL	[DA], Left
	1CY531K2AA	1	C		44			*TL	[KA] , With [EAD], Left
		1	C		44			*TL	[KA], Left

PT CRUISER (PT)

SERIES LINE
H = HIGHLINE C = CHRYSLER
P = PREMIUM Z = CHRYSLER (RHD)
S = SPORT
X = SPECIAL

BODY
27 = 2-DR CONVERTIBLE
44 = HATCHBACK/QUAD
CAB CHASSIS LWB

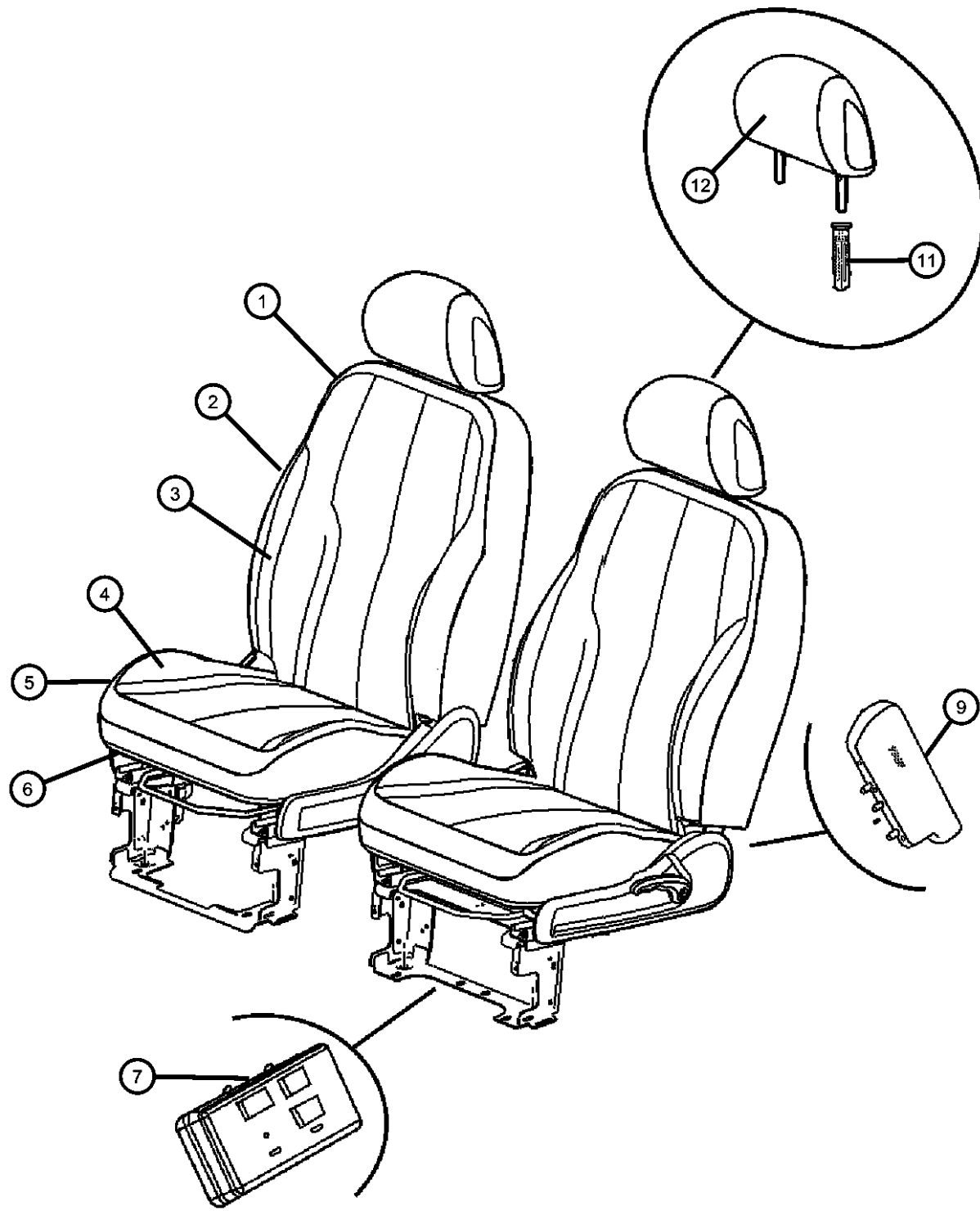
ENGINE
EDJ = 2.2L 4 Cyl Turbo Diesel Engine
EDT = 2.4L 4 Cyl DOHC 16V Turbo Engine
EDV = 2.4L 4 Cyl DOHC 16V HO Turbo Engine
EDZ = 2.4L 4 Cyl DOHC 16V SMPI Engine
EJD = 1.6L 4 Cyl SOHC 16V SMPI

TRANSMISSION
DGL = 4-Speed Automatic Transmission
DD5 = 5-Speed Manual Transmission
DDD = 5-Speed HD Manual Transmission

AR = use ase required - = Non illustrated part

2006 PT

Front Seat - Trim Code [TL]
Figure IPT-525



ITEM	PART NUMBER	QTY	LINE	SERIES	BODY	ENGINE	TRANS	TRIM	DESCRIPTION
	1CY611D5AA	1	Z		44			*TL	[DA] , With [EAD], Left
		1	Z		44			*TL	[DA], Left
		1	Z		44			*TL	[DA] , With [ABA], Left
	1CY611K2AA	1	Z		44			*TL	[KA] , With [EAD], Left
		1	Z		44			*TL	[KA] , With [ABA], Left
		1	Z		44			*TL	[KA], Left
5									FOAM, Seat Cushion
	05175654AA	1	Z		44			*TL	Right
		1	C		44			*TL	With [EAD], Right
		1	Z		44			*TL	With [EAD], Right
		1	Z		44			*TL	With [ABA], Right
		1	C		44			*TL	Right
	05175680AA	1	C		44			*TL	With [EAD], Left
		1	C		44			*TL	Left
	05175715AA	1	Z		44			*TL	With [ABA], Left
		1	Z		44			*TL	Left
		1	Z		44			*TL	With [EAD], Left
6									FRAME, Seat cushion
	05175652AA	1	C		44			*TL	Right
	05175679AA	1	C		44			*TL	Left
	05175717AA	1	Z		44			*TL	With [EAG], Left
		1	Z		44			*TL	With [EAD], Left
		1	Z		44			*TL	With [ABA], Left
	05175718AA	1	Z		44			*TL	With [EAG], Right
		1	C		44			*TL	With [EAD], Right
		1	Z		44			*TL	With [EAD], Right
		1	C		44			*TL	With [EAG], Right
		1	Z		44			*TL	With [ABA], Right
	05175721AA	1	C		44			*TL	With [EAG], Left
		1	C		44			*TL	With [EAD], Left
7	05084006AG	1	C		44			*TL	MODULE, Occupant Classification

PT CRUISER (PT)

SERIES LINE
H = HIGHLINE C = CHRYSLER
P = PREMIUM Z = CHRYSLER (RHD)
S = SPORT
X = SPECIAL

BODY
27 = 2-DR CONVERTIBLE
44 = HATCHBACK/QUAD
CAB CHASSIS LWB

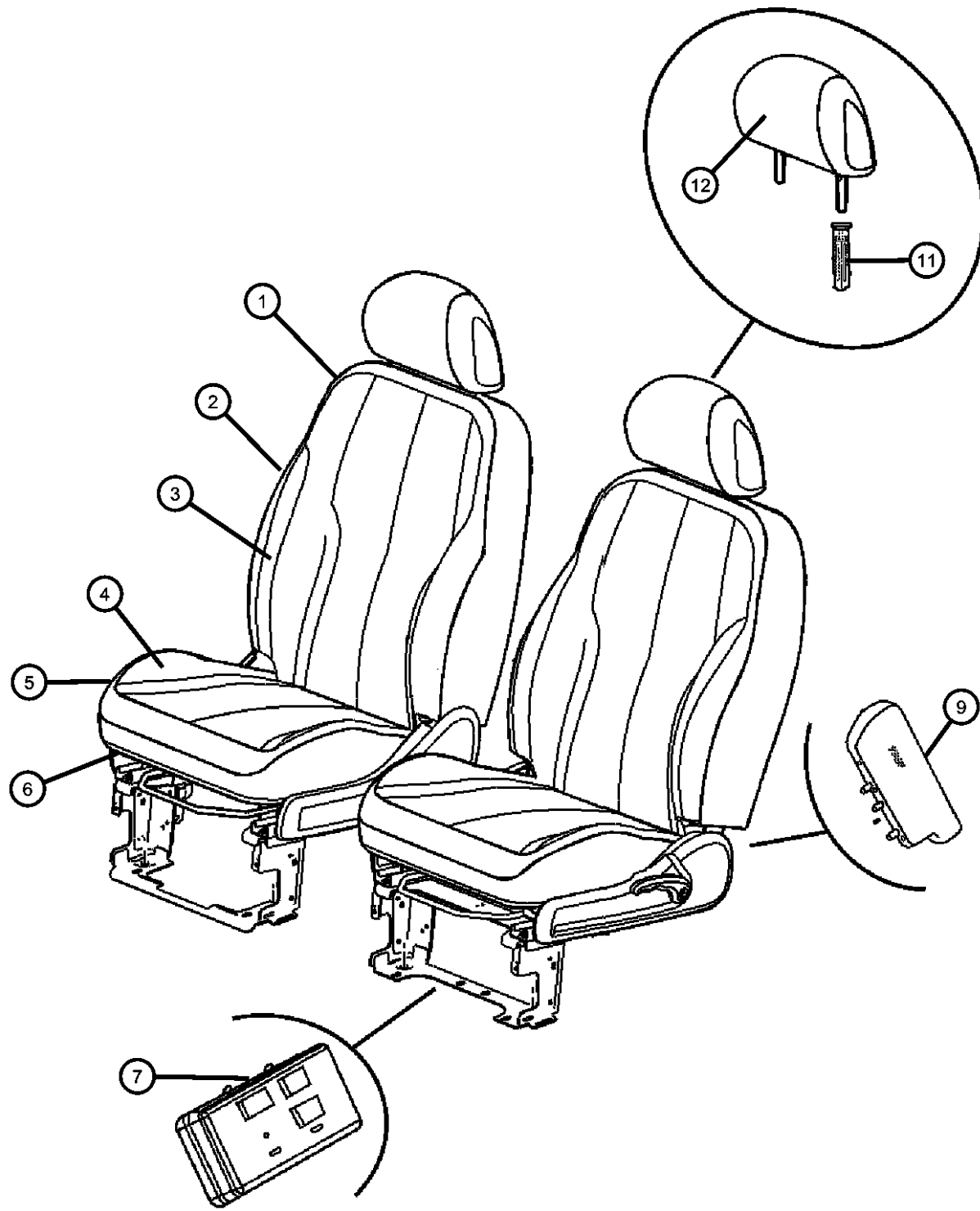
ENGINE
EDJ = 2.2L 4 Cyl Turbo Diesel Engine
EDT = 2.4L 4 Cyl DOHC 16V Turbo Engine
EDV = 2.4L 4 Cyl DOHC 16V HO Turbo Engine
EDZ = 2.4L 4 Cyl DOHC 16V SMPI Engine
EJD = 1.6L 4 Cyl SOHC 16V SMPI

TRANSMISSION
DGL = 4-Speed Automatic Transmission
DD5 = 5-Speed Manual Transmission
DDD = 5-Speed HD Manual Transmission

AR = use ase required - = Non illustrated part

2006 PT

Front Seat - Trim Code [TL]
Figure IPT-525



ITEM	PART NUMBER	QTY	LINE	SERIES	BODY	ENGINE	TRANS	TRIM	DESCRIPTION
-8	05175667AA	1	C		44			*TL	BRACKET, Module
		1	Z		44			*TL	
9	04645986AA	2	C		44			*TL	AIR BAG, Seat
		2	Z		44			*TL	With [ABA]
		2	Z		44			*TL	
-10	04645988AA	2	C		44			*TL	BRACKET
		2	Z		44			*TL	With [ABA]
		2	Z		44			*TL	
11	1DS911D5AA	1	C		44			*TL	SLEEVE, Headrest
		1	Z		44			*TL	[DA]
	1DS911K2AA	1	Z		44			*TL	[KA]
		1	C		44			*TL	[KA]
	1DS941D5AA	1	Z		44			*TL	[DA], Slave Cylinder
		1	C		44			*TL	[DA], Slave Cylinder
	1DS941K2AA	1	C		44			*TL	[KA], Slave Cylinder
		1	Z		44			*TL	[KA], Slave Cylinder
12	1CW001D5AA	1	C		44			*TL	HEADREST, Front
		1	Z		44			*TL	[DA]
	1CW001K2AA	1	Z		44			*TL	[KA]
		1	C		44			*TL	[KA]

PT CRUISER (PT)

SERIES LINE
H = HIGHLINE C = CHRYSLER
P = PREMIUM Z = CHRYSLER (RHD)
S = SPORT
X = SPECIAL

BODY
27 = 2-DR CONVERTIBLE
44 = HATCHBACK/QUAD
CAB CHASSIS LWB

ENGINE
EDJ = 2.2L 4 Cyl Turbo Diesel Engine
EDT = 2.4L 4 Cyl DOHC 16V Turbo Engine
EDV = 2.4L 4 Cyl DOHC 16V HO Turbo Engine
EDZ = 2.4L 4 Cyl DOHC 16V SMPI Engine
EJD = 1.6L 4 Cyl SOHC 16V SMPI

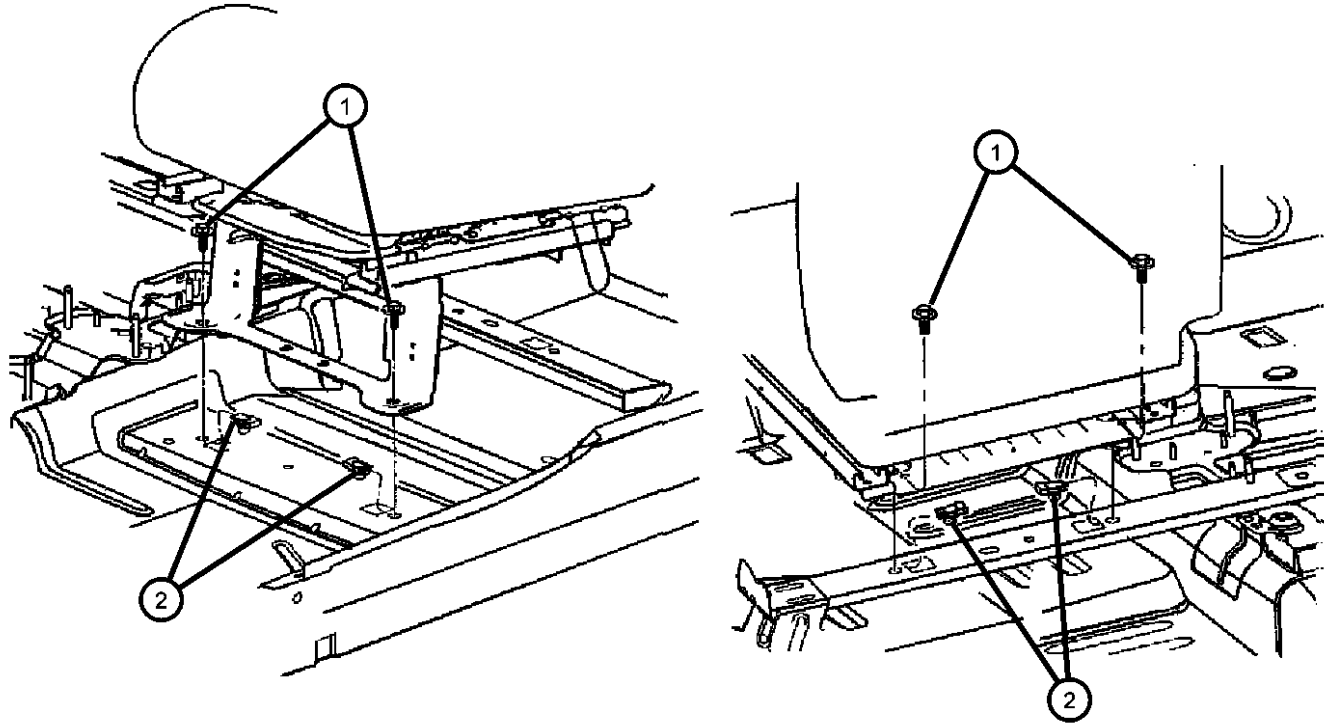
TRANSMISSION
DGL = 4-Speed Automatic Transmission
DD5 = 5-Speed Manual Transmission
DDD = 5-Speed HD Manual Transmission

AR = use ase required - = Non illustrated part

2006 PT

Front Seat - Attaching Parts
Figure IPT-535

ITEM	PART NUMBER	QTY	LINE	SERIES	BODY	ENGINE	TRANS	TRIM	DESCRIPTION
1	06508617AA	8							SCREW
2	06508656AA	8							NUT



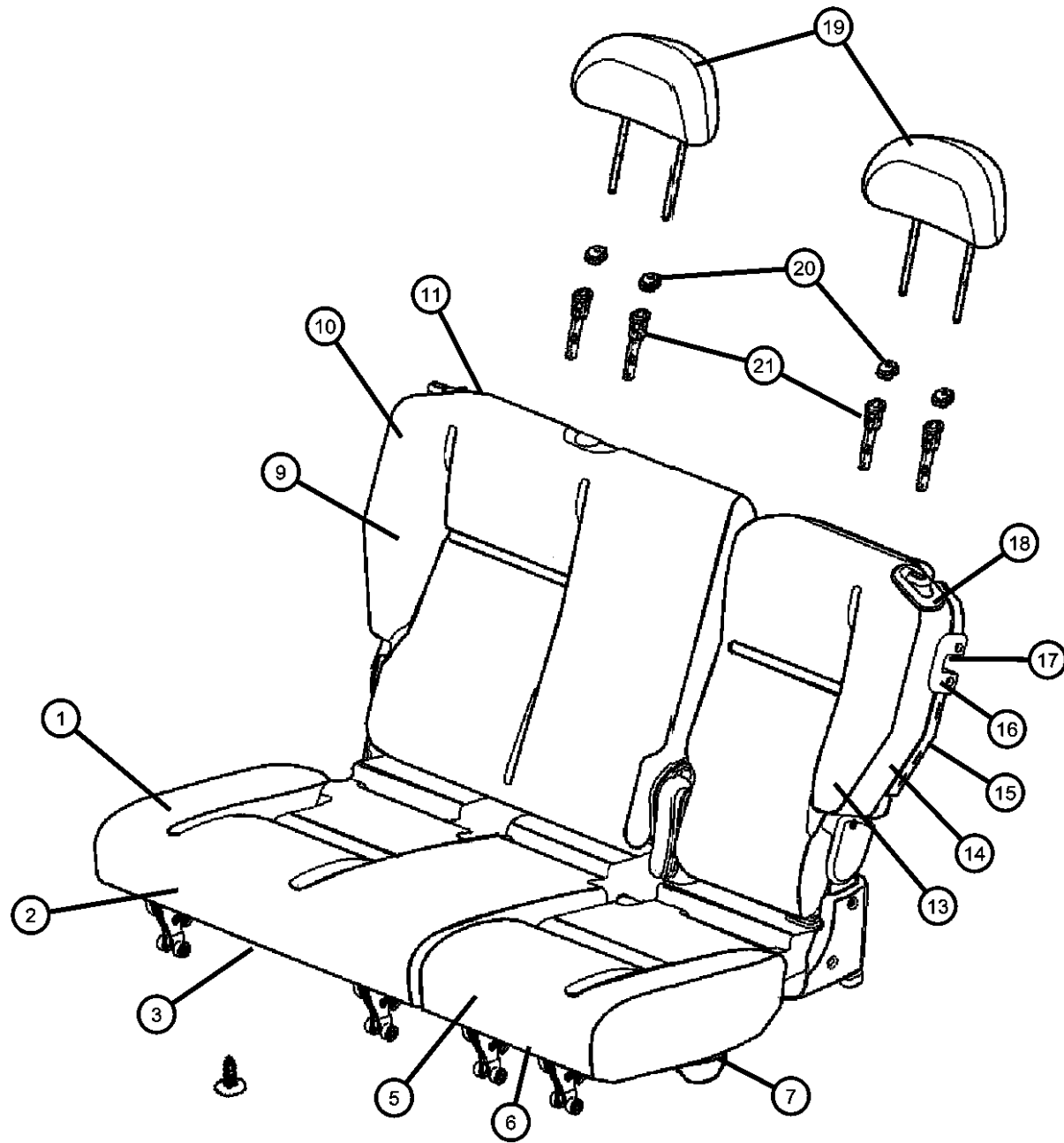
PT CRUISER (PT)

SERIES	LINE	BODY	ENGINE	TRANSMISSION
H = HIGHLINE	C = CHRYSLER	27 = 2-DR CONVERTIBLE	EDJ = 2.2L 4 Cyl Turbo Diesel Engine	DGL = 4-Speed Automatic Transmission
P = PREMIUM	Z = CHRYSLER (RHD)	44 = HATCHBACK/QUAD CAB CHASSIS LWB	EDT = 2.4L 4 Cyl DOHC 16V Turbo Engine	DD5 = 5-Speed Manual Transmission
S = SPORT			EDV = 2.4L 4 Cyl DOHC 16V HO Turbo Engine	DDD = 5-Speed HD Manual Transmission
X = SPECIAL			EDZ = 2.4L 4 Cyl DOHC 16V SMPI Engine	
			EJD = 1.6L 4 Cyl SOHC 16V SMPI	

AR = use ase required - = Non illustrated part

2006 PT

Rear Seats - Trim Code [P7]
Figure IPT-605



ITEM	PART NUMBER	QTY	LINE	SERIES	BODY	ENGINE	TRANS	TRIM	DESCRIPTION
1									COVER, Rear Seat Cushion, 60 % Side
	1CX681D5AA	1	C		44			*P7	[DA]
		1	Z		44			*P7	[DA]
	1CX681K2AA	1	C		44			*P7	[KA]
		1	Z		44			*P7	[KA]
2									FOAM, Seat Cushion, 60 % Side
	05175922AA	1	C		44			*P7	
		1	Z		44			*P7	
3									FRAME, Rear Seat Cushion, 60 % Side
	05175920AA	1	C		44			*P7	
		1	Z		44			*P7	
-4									LATCH, Seat, 60 % Side
	05175923AA	1	C		44			*P7	60% Side, Inboard
		1	Z		44			*P7	60% Side, Inboard
	05175924AA	1	Z		44			*P7	60% Side, Outboard
		1	C		44			*P7	60% Side, Outboard
5									COVER, Rear Seat Cushion, 40 % Side
	1CX691D5AA	1	C		44			*P7	[DA]
		1	Z		44			*P7	[DA]
	1CX691K2AA	1	C		44			*P7	[KA]
		1	Z		44			*P7	[KA]
6									FOAM, Seat Cushion, 40 % Side
	05175921AA	1	C		44			*P7	
		1	Z		44			*P7	
7									FRAME, Rear Seat Cushion, 40 % Side
	05175919AA	1	C		44			*P7	
		1	Z		44			*P7	
-8									LATCH, Seat, 40 % Side
	05175925AA	1	C		44			*P7	Outboard
		1	Z		44			*P7	Outboard

PT CRUISER (PT)

SERIES LINE
H = HIGHLINE C = CHRYSLER
P = PREMIUM Z = CHRYSLER (RHD)
S = SPORT
X = SPECIAL

BODY
27 = 2-DR CONVERTIBLE
44 = HATCHBACK/QUAD
CAB CHASSIS LWB

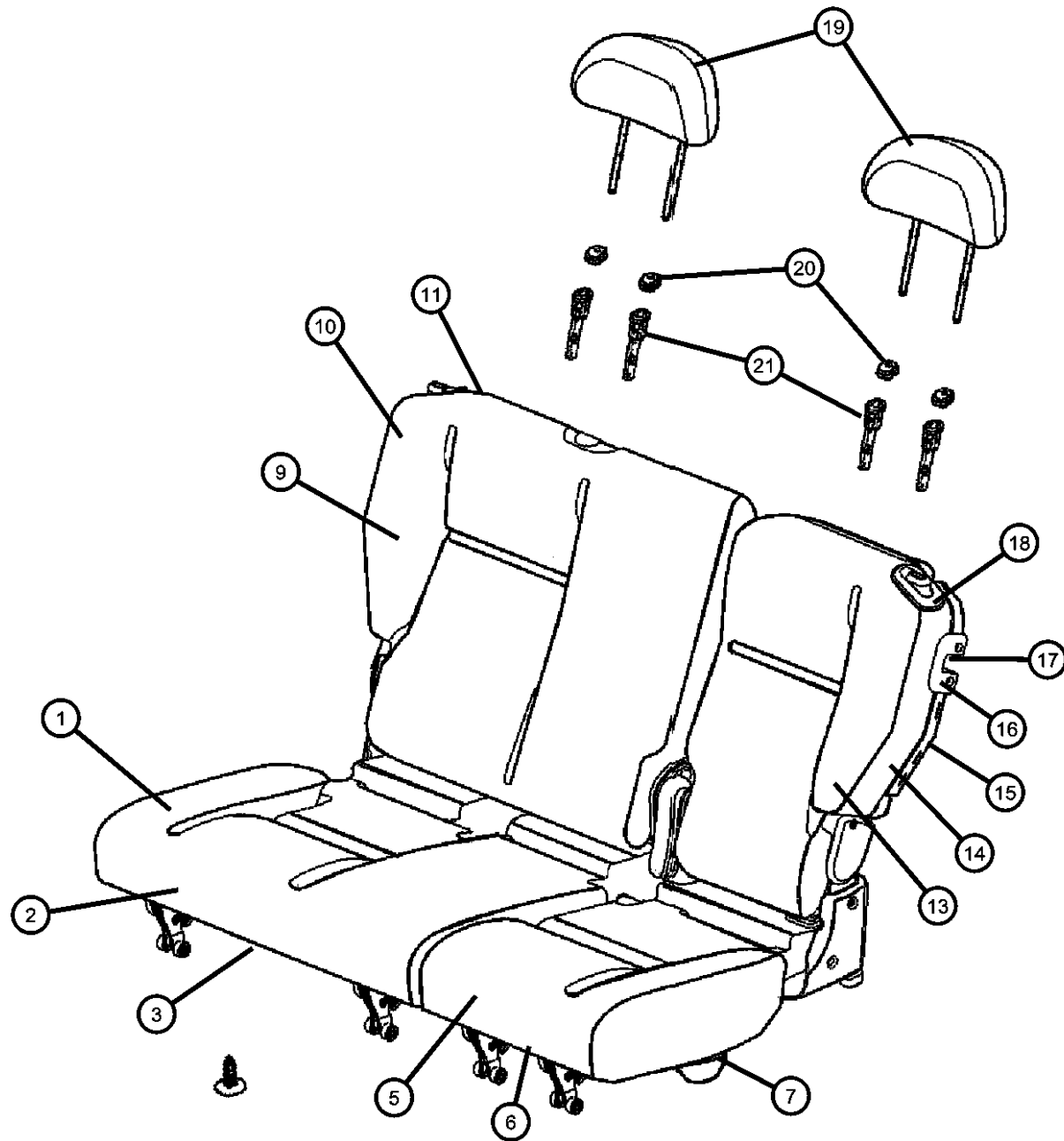
ENGINE
EDJ = 2.2L 4 Cyl Turbo Diesel Engine
EDT = 2.4L 4 Cyl DOHC 16V Turbo Engine
EDV = 2.4L 4 Cyl DOHC 16V HO Turbo Engine
EDZ = 2.4L 4 Cyl DOHC 16V SMPI Engine
EJD = 1.6L 4 Cyl SOHC 16V SMPI

TRANSMISSION
DGL = 4-Speed Automatic Transmission
DD5 = 5-Speed Manual Transmission
DDD = 5-Speed HD Manual Transmission

AR = use ase required - = Non illustrated part

2006 PT

Rear Seats - Trim Code [P7]
Figure IPT-605



ITEM	PART NUMBER	QTY	LINE	SERIES	BODY	ENGINE	TRANS	TRIM	DESCRIPTION
	05175926AA	1	C		44			*P7	Inboard
		1	Z		44			*P7	Inboard
9									COVER, Rear Seat Back, 60 % Side
	1CX661D5AA	1	C		44			*P7	[DA]
		1	Z		44			*P7	[DA]
	1CX661K2AA	1	Z		44			*P7	[KA]
	1CX721D5AA	1	Z		44			*P7	[DA] , With [ABA]
	1CX721K2AA	1	Z		44			*P7	[KA] , With [ABA]
		1	C		44			*P7	[KA]
10									FOAM, Seat Back, 60 % Side
	05175918AA	1	Z		44			*P7	
		1	C		44			*P7	
11									FRAME, Rear Seat Back, 60 % Side
	05175941AA	1	Z		44			*P7	With [ABA]
	05175916AA	1	C		44			*P7	
		1	Z		44			*P7	
-12									LATCH, Seat, 60 % Side
	0ZL621D5AA	1	C		44			*P7	[DA]
		1	Z		44			*P7	[DA]
	0ZL621K2AA	1	C		44			*P7	[KA]
		1	Z		44			*P7	[KA]
13									COVER, Rear Seat Back, 40 % Side
	1CX651D5AA	1	C		44			*P7	[DA]
	1CX651K2AA	1	C		44			*P7	[KA]
		1	Z		44			*P7	[DA]
		1	Z		44			*P7	[KA]
14									FOAM, Seat Back, 40 % Side
	05175917AA	1	Z		44			*P7	
		1	C		44			*P7	

PT CRUISER (PT)

SERIES LINE
H = HIGHLINE C = CHRYSLER
P = PREMIUM Z = CHRYSLER (RHD)
S = SPORT
X = SPECIAL

BODY
27 = 2-DR CONVERTIBLE
44 = HATCHBACK/QUAD
CAB CHASSIS LWB

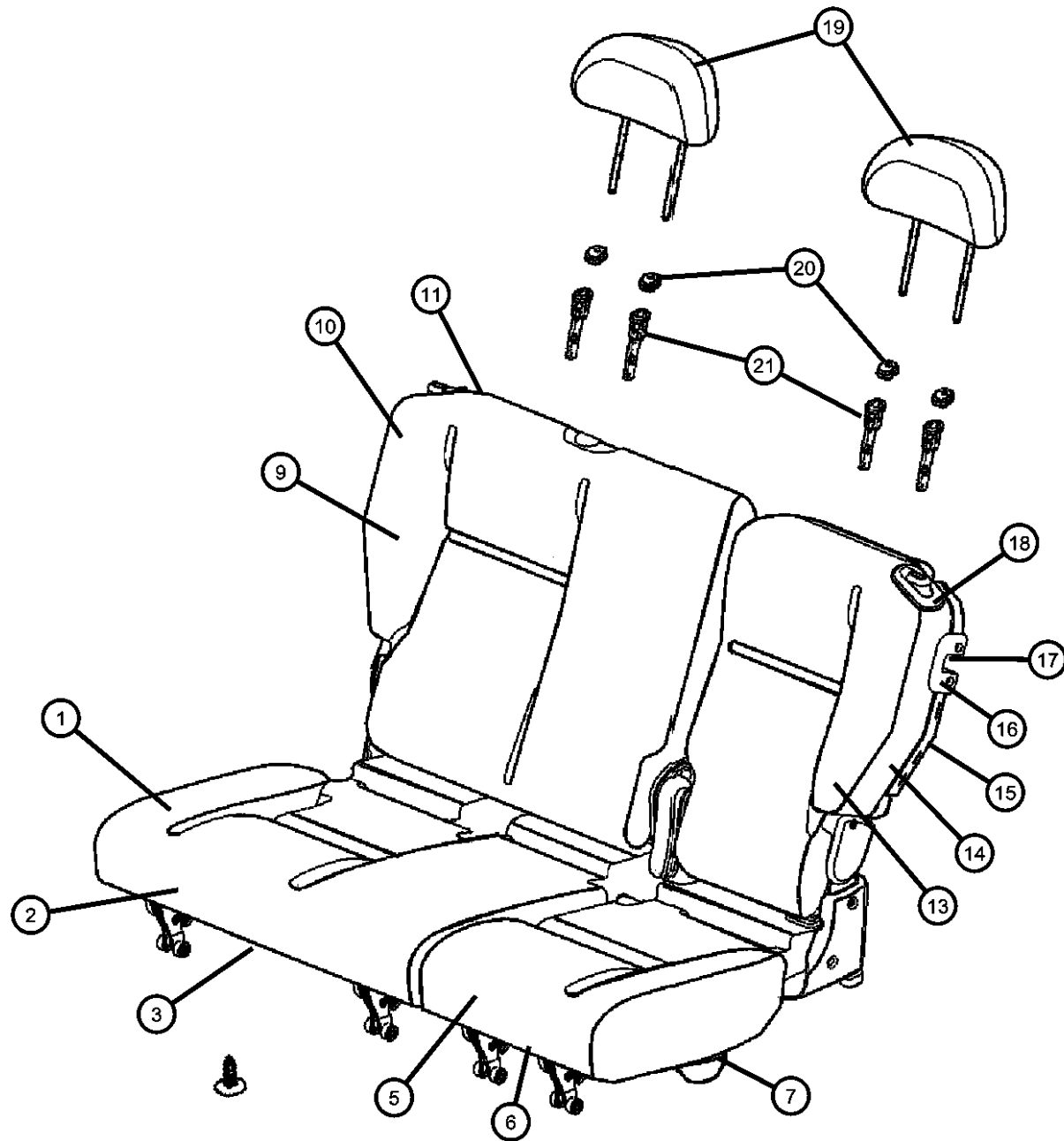
ENGINE
EDJ = 2.2L 4 Cyl Turbo Diesel Engine
EDT = 2.4L 4 Cyl DOHC 16V Turbo Engine
EDV = 2.4L 4 Cyl DOHC 16V HO Turbo Engine
EDZ = 2.4L 4 Cyl DOHC 16V SMPI Engine
EJD = 1.6L 4 Cyl SOHC 16V SMPI

TRANSMISSION
DGL = 4-Speed Automatic Transmission
DD5 = 5-Speed Manual Transmission
DDD = 5-Speed HD Manual Transmission

AR = use ase required - = Non illustrated part

2006 PT

Rear Seats - Trim Code [P7]
Figure IPT-605



ITEM	PART NUMBER	QTY	LINE	SERIES	BODY	ENGINE	TRANS	TRIM	DESCRIPTION
15	05175911AA	1	Z		44			*P7	FRAME, Rear Seat Back, 40 % Side
		1	C		44			*P7	
16	0WA921K2AA	1	C		44			*P7	BEZEL, Seat Latch
	0WA92XD-HAA	1	C		44			*P7	[KA]
		1	Z		44			*P7	[DA]
		1	Z		44			*P7	[KA]
17	0ZL731D5AA	1	Z		44			*P7	LATCH, Seat, 40 % Side
		1	C		44			*P7	[DA]
	0ZL731K2AA	1	C		44			*P7	[KA]
		1	Z		44			*P7	[KA]
18	0ZK411D5AA	1	Z		44			*P7	BEZEL, Seat Release
		1	C		44			*P7	[DA]
	0ZK411K2AA	1	Z		44			*P7	[KA]
		1	C		44			*P7	[KA]
19	1CX631K2AA	1	C		44			*P7	HEADREST, Rear
	1CX871D5AA	1	C		44			*P7	[DA] , With [EAD], Outer
		1	Z		44			*P7	[DA] , With [ABA], Outer
		1	Z		44			*P7	[DA] , With [EAD], Outer
	1CX631D5AA	1	C		44			*P7	[DA]
	1CX871K2AA	1	C		44			*P7	[KA] , With [EAD], Outer
		1	C		44			*P7	[DA], Outer
		1	Z		44			*P7	[DA], Outer
		1	C		44			*P7	[KA], Outer
		1	Z		44			*P7	[KA] , With [EAD], Outer
		1	Z		44			*P7	[KA] , With [ABA], Outer

PT CRUISER (PT)

SERIES LINE
H = HIGHLINE C = CHRYSLER
P = PREMIUM Z = CHRYSLER (RHD)
S = SPORT
X = SPECIAL

BODY
27 = 2-DR CONVERTIBLE
44 = HATCHBACK/QUAD
CAB CHASSIS LWB

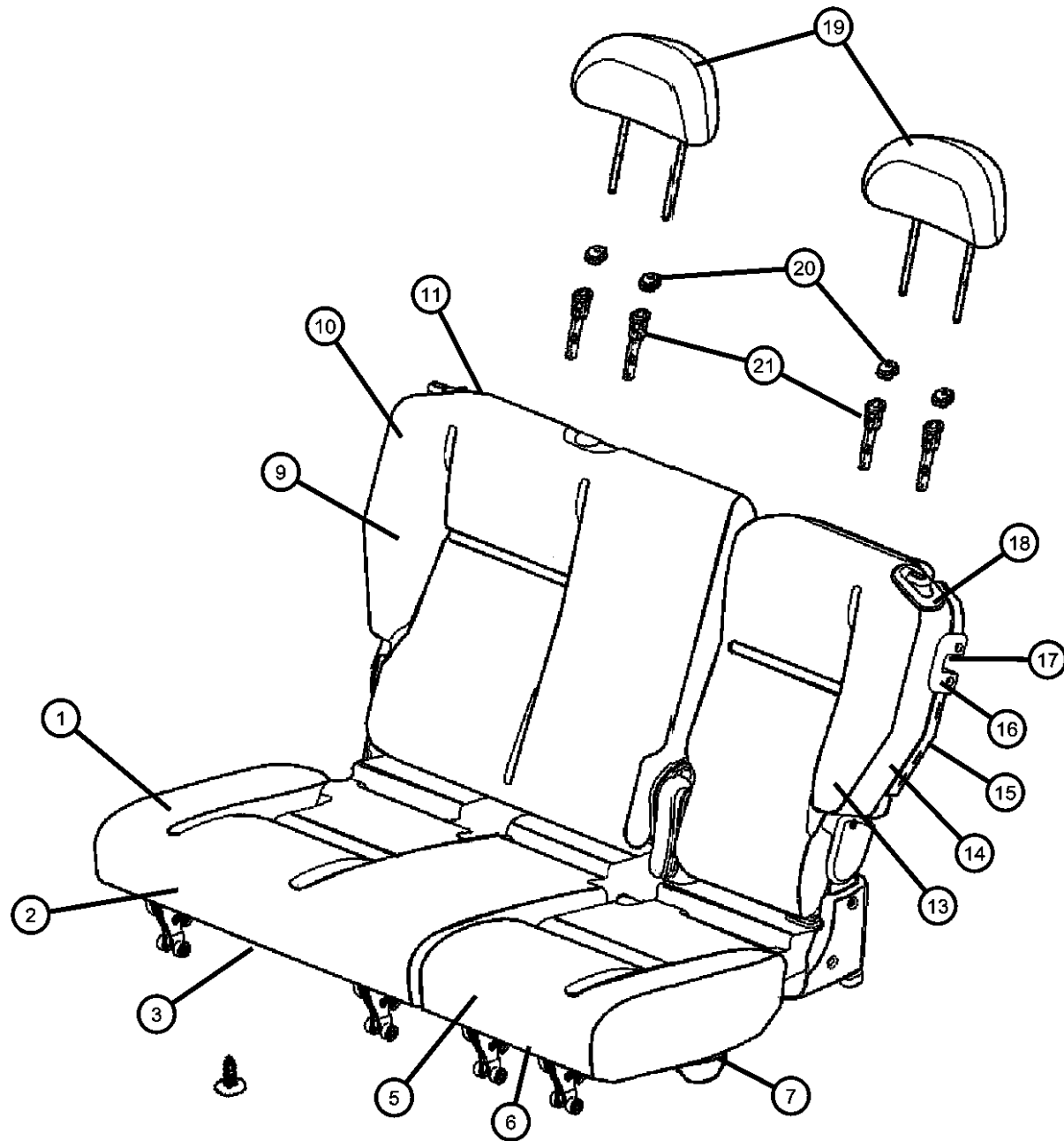
ENGINE
EDJ = 2.2L 4 Cyl Turbo Diesel Engine
EDT = 2.4L 4 Cyl DOHC 16V Turbo Engine
EDV = 2.4L 4 Cyl DOHC 16V HO Turbo Engine
EDZ = 2.4L 4 Cyl DOHC 16V SMPI Engine
EJD = 1.6L 4 Cyl SOHC 16V SMPI

TRANSMISSION
DGL = 4-Speed Automatic Transmission
DD5 = 5-Speed Manual Transmission
DDD = 5-Speed HD Manual Transmission

AR = use ase required - = Non illustrated part

2006 PT

Rear Seats - Trim Code [P7]
Figure IPT-605



ITEM	PART NUMBER	QTY	LINE	SERIES	BODY	ENGINE	TRANS	TRIM	DESCRIPTION
		1	Z		44			*P7	[KA], Outer
	1CX891D5AA	1	Z		44			*P7	[DA], With [ABA], Center
		1	C		44			*P7	[DA], Center
		1	Z		44			*P7	[DA], Center
	1CX891K2AA	1	Z		44			*P7	[KA], With [EAD], Center
		1	Z		44			*P7	[KA], With [ABA], Center
		1	Z		44			*P7	[DA], With [EAD], Center
		1	C		44			*P7	[DA], With [EAD], Center
		1	C		44			*P7	[KA], Center
		1	Z		44			*P7	[KA], Center
		1	C		44			*P7	[KA], With [EAD], Center
20									CAP, Headrest Adjuster
	0WA311D5AA	1	C		44			*P7	[DA], Without Button
		1	Z		44			*P7	[DA], Without Button
	0WA311K2AA	1	C		44			*P7	[KA], Without Button
		1	Z		44			*P7	[KA], Without Button
	0WA461D5AA	1	C		44			*P7	[DA], With Button
		1	Z		44			*P7	[DA], With Button
	0WA461K2AA	1	C		44			*P7	[KA], With Button
		1	Z		44			*P7	[KA], With Button
21									SLEEVE, Headrest
	05066017AA	1	C		44			*P7	
		1	Z		44			*P7	
-22									BEZEL, TETHER, Child Tether
	0ZL781D5AA	1	C		44			*P7	[DA]
		1	Z		44			*P7	[DA]
	0ZL781K2AA	1	Z		44			*P7	[KA]
		1	C		44			*P7	[KA]
-23									HANDLE, SEAT CARRY, Attach to Cushion
	0UC331D5AA	1	Z		44			*P7	[DA]

PT CRUISER (PT)

SERIES LINE
H = HIGHLINE C = CHRYSLER
P = PREMIUM Z = CHRYSLER (RHD)
S = SPORT
X = SPECIAL

BODY
27 = 2-DR CONVERTIBLE
44 = HATCHBACK/QUAD
CAB CHASSIS LWB

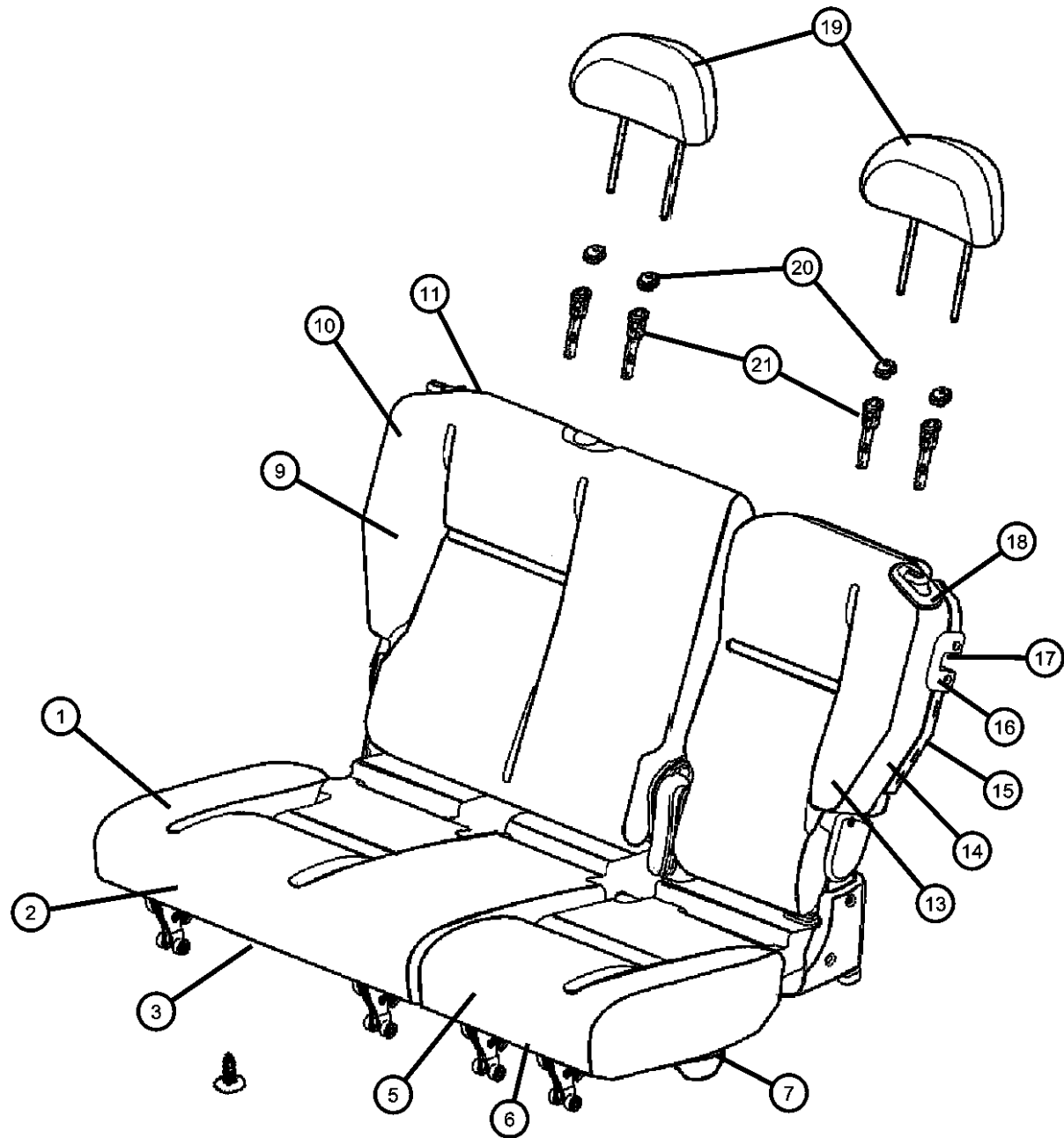
ENGINE TRANSMISSION
EDJ = 2.2L 4 Cyl Turbo Diesel Engine DGL = 4-Speed Automatic Transmission
EDT = 2.4L 4 Cyl DOHC 16V Turbo Engine DD5 = 5-Speed Manual Transmission
EDV = 2.4L 4 Cyl DOHC 16V HO Turbo Engine DDD = 5-Speed HD Manual Transmission
EDZ = 2.4L 4 Cyl DOHC 16V SMPI Engine
EJD = 1.6L 4 Cyl SOHC 16V SMPI

AR = use ase required - = Non illustrated part

2006 PT

Rear Seats - Trim Code [P7]
Figure IPT-605

ITEM	PART NUMBER	QTY	LINE	SERIES	BODY	ENGINE	TRANS	TRIM	DESCRIPTION
		1	C		44			*P7	[DA]
	0UC331K2AA	1	C		44			*P7	[KA]
		1	Z		44			*P7	[KA]
-24									CABLE, Latch Release
	05175939AA	1	C		44			*P7	40%
	05175940AA	1	C		44			*P7	60%



PT CRUISER (PT)

SERIES LINE
H = HIGHLINE C = CHRYSLER
P = PREMIUM Z = CHRYSLER (RHD)
S = SPORT
X = SPECIAL

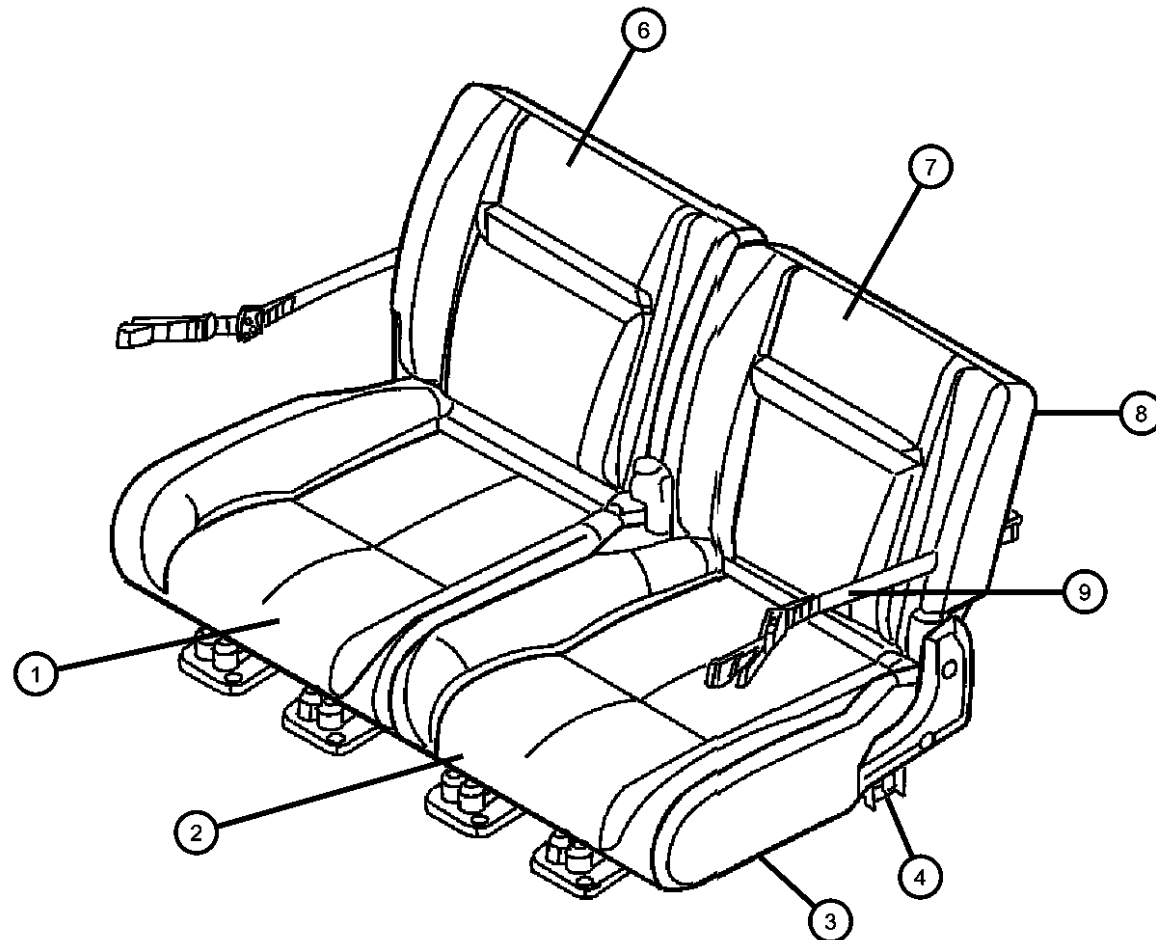
BODY
27 = 2-DR CONVERTIBLE
44 = HATCHBACK/QUAD
CAB CHASSIS LWB

ENGINE TRANSMISSION
EDJ = 2.2L 4 Cyl Turbo Diesel Engine
EDT = 2.4L 4 Cyl DOHC 16V Turbo Engine
EDV = 2.4L 4 Cyl DOHC 16V HO Turbo Engine
EDZ = 2.4L 4 Cyl DOHC 16V SMPI Engine
EJD = 1.6L 4 Cyl SOHC 16V SMPI
DGL = 4-Speed Automatic Transmission
DD5 = 5-Speed Manual Transmission
DDD = 5-Speed HD Manual Transmission

AR = use ase required - = Non illustrated part

2006 PT

Rear Seat - Trim Code [P7] - 27 Body
Figure IPT-608



ITEM	PART NUMBER	QTY	LINE	SERIES	BODY	ENGINE	TRANS	TRIM	DESCRIPTION
1									COVER, Rear Seat Cushion
	1CZ551K2AA	1	C		27			*P7	[KA], Left
	1CZ561D5AA	1	C		27			*P7	[DA], Right
	1CZ551D5AA	1	C		27			*P7	[DA], Left
	1CZ561K2AA	1	C		27			*P7	[KA], Right
2									FOAM, Seat Cushion
	05139502AA	1	C		27			*P7	Right
	05139517AA	1	C		27			*P7	Left
3									FRAME, Rear Seat Cushion
	05139501AA	1	C		27			*P7	Right
		1	C		27			*P7	Left
4	05067382AA	2			27				LATCH, Seat
-5	05139504AA	1	C		27			*P7	STRAP, Seat, Rear Seat Cushion Release
6									COVER, Rear Seat Back
	1CZ531D5AA	1	C		27			*P7	[DA], Left
	1CZ531K2AA	1	C		27			*P7	[KA], Left
	1CZ541D5AA	1	C		27			*P7	[DA], Right
	1CZ541K2AA	1	C		27			*P7	[KA], Right
7									FOAM, Seat Back
	05139500AA	1	C		27			*P7	Left
		1	C		27			*P7	Right
8									FRAME, Rear Seat Back
	05139499AA	1	C		27			*P7	Left
	05139514AA	1	C		27			*P7	Right
9									STRAP, Seat
	05139504AA	1	C		27			*P7	Left
	05139518AA	1	C		27			*P7	Right

PT CRUISER (PT)

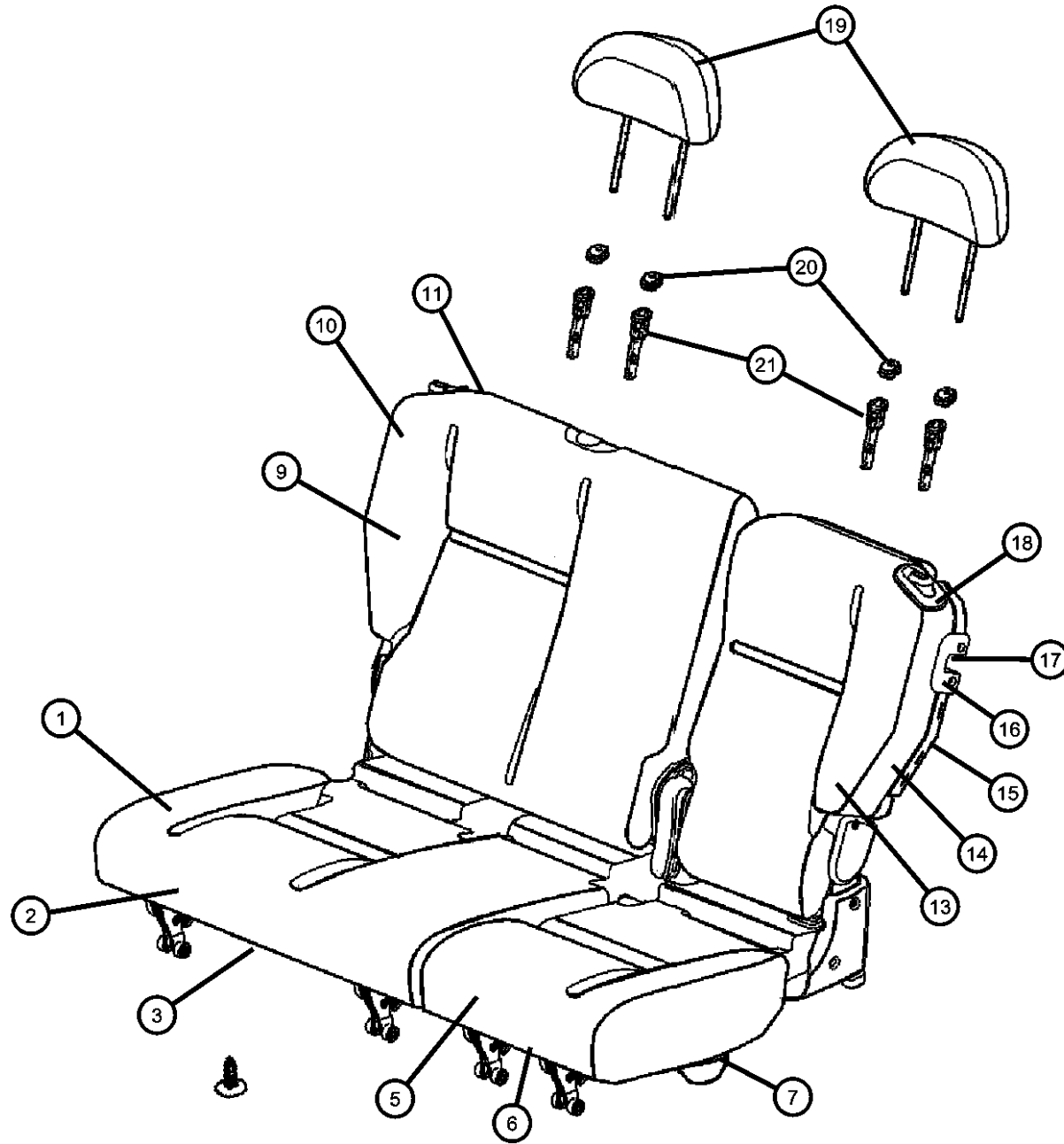
SERIES LINE
H = HIGHLINE C = CHRYSLER
P = PREMIUM Z = CHRYSLER (RHD)
S = SPORT
X = SPECIAL

BODY
27 = 2-DR CONVERTIBLE
44 = HATCHBACK/QUAD
CAB CHASSIS LWB

ENGINE TRANSMISSION
EDJ = 2.2L 4 Cyl Turbo Diesel Engine
EDT = 2.4L 4 Cyl DOHC 16V Turbo Engine
EDV = 2.4L 4 Cyl DOHC 16V HO Turbo Engine
EDZ = 2.4L 4 Cyl DOHC 16V SMPI Engine
EJD = 1.6L 4 Cyl SOHC 16V SMPI
DGL = 4-Speed Automatic Transmission
DD5 = 5-Speed Manual Transmission
DDD = 5-Speed HD Manual Transmission

AR = use ase required - = Non illustrated part

Rear Seat - Trim Code [CL] - 44 Body
Figure IPT-610



ITEM	PART NUMBER	QTY	LINE	SERIES	BODY	ENGINE	TRANS	TRIM	DESCRIPTION
1									COVER, Rear Seat Cushion, 60 % Side
	1CX781D5AA	1	C		44			*CL	[DA]
	1CX781KAAA	1	C		44			*CL	[KA]
2	05175922AA	1	C		44			*CL	FOAM, Seat Cushion, 60 % Side
3	05175920AA	1	C		44			*CL	FRAME, Rear Seat Cushion, 60 % Side
-4									LATCH, Seat, 60 % Side
	05175923AA	1	C		44			*CL	Inboard
	05175924AA	1	C		44			*CL	Outboard
5									COVER, Rear Seat Cushion, 40 % Side
	1CX791D5AA	1	C		44			*CL	[DA]
	1CX791KAAA	1	C		44			*CL	[KA]
6	05175921AA	1	C		44			*CL	FOAM, Seat Cushion, 40 % Side
7	05175919AA	1	C		44			*CL	FRAME, Rear Seat Cushion, 40 % Side
-8									LATCH, Seat, 40 % Side
	05175925AA	1	C		44			*CL	Outboard
	05175926AA	1	C		44			*CL	Inboard
9									COVER, Rear Seat Back, 60 % Side
	1CX801D5AA	1	C		44			*CL	[DA]
	1CX801KAAA	1	C		44			*CL	[KA]
10	05175918AA	1	C		44			*CL	FOAM, Seat Back, 60 % Side
11	05175916AA	1	C		44			*CL	FRAME, Rear Seat Back, 60 % Side
-12									LATCH, Seat, 60 % Side
	0ZL621D5AA	1	C		44			*CL	[DA]
	0ZL621KAAA	1	C		44			*CL	[KA]
13									COVER, Rear Seat Back, 40 % Side
	1CX811D5AA	1	C		44			*CL	[DA]
	1CX811KAAA	1	C		44			*CL	[KA]
14	05175917AA	1	C		44			*CL	FOAM, Seat Back, 40 % Side

PT CRUISER (PT)

SERIES LINE
H = HIGHLINE C = CHRYSLER
P = PREMIUM Z = CHRYSLER (RHD)
S = SPORT
X = SPECIAL

BODY
27 = 2-DR CONVERTIBLE
44 = HATCHBACK/QUAD
CAB CHASSIS LWB

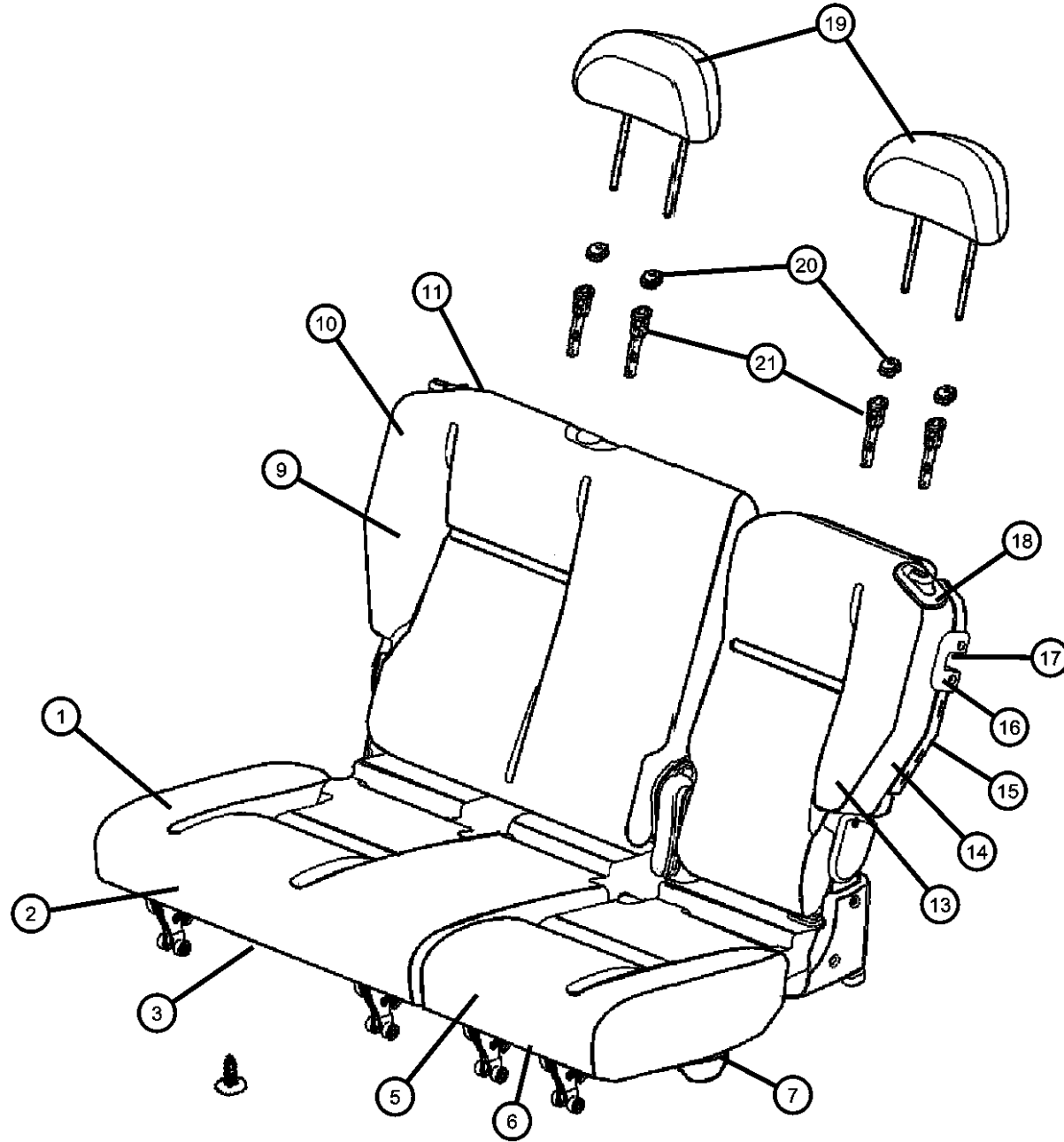
ENGINE
EDJ = 2.2L 4 Cyl Turbo Diesel Engine
EDT = 2.4L 4 Cyl DOHC 16V Turbo Engine
EDV = 2.4L 4 Cyl DOHC 16V HO Turbo Engine
EDZ = 2.4L 4 Cyl DOHC 16V SMPI Engine
EJD = 1.6L 4 Cyl SOHC 16V SMPI

TRANSMISSION
DGL = 4-Speed Automatic Transmission
DD5 = 5-Speed Manual Transmission
DDD = 5-Speed HD Manual Transmission

AR = use ase required - = Non illustrated part

2006 PT

Rear Seat - Trim Code [CL] - 44 Body
Figure IPT-610



ITEM	PART NUMBER	QTY	LINE	SERIES	BODY	ENGINE	TRANS	TRIM	DESCRIPTION
15	05175911AA	1	C		44			*CL	FRAME, Rear Seat Back, 40 % Side
16									BEZEL, Seat Latch
	0WA921KAAA	1	C		44			*CL	[KA]
	0WA92XD-HAA	1	C		44			*CL	[DA]
17									LATCH, Seat, 40 % Side
	0ZL731D5AA	1	C		44			*CL	[DA]
	0ZL731KAAA	1	C		44			*CL	[KA]
18									BEZEL, Seat Release
	0ZK411D5AA	1	C		44			*CL	[DA]
	0ZK411KAAA	1	C		44			*CL	[KA]
19									HEADREST, Rear
	1CX631KAAA	1	C		44			*CL	[KA]
	1CX871D5AA	1	C		44			*CL	[DA]
20									CAP, Headrest Adjuster
	0WA311D5AA	1	C		44			*CL	[DA] , Without Button
	0WA311KAAA	1	C		44			*CL	[KA] , Without Button
	0WA461D5AA	1	C		44			*CL	[DA] , With Button
	0WA461KAAA	1	C		44			*CL	[KA] , With Button
21	05066017AA	1	C		44			*CL	SLEEVE, Headrest
-22									BEZEL, TETHER, Child Tether
	0ZL781D5AA	1	C		44			*CL	[DA]
	0ZL781KAAA	1	C		44			*CL	[KA]

PT CRUISER (PT)

SERIES LINE
H = HIGHLINE C = CHRYSLER
P = PREMIUM Z = CHRYSLER (RHD)
S = SPORT
X = SPECIAL

BODY
27 = 2-DR CONVERTIBLE
44 = HATCHBACK/QUAD
CAB CHASSIS LWB

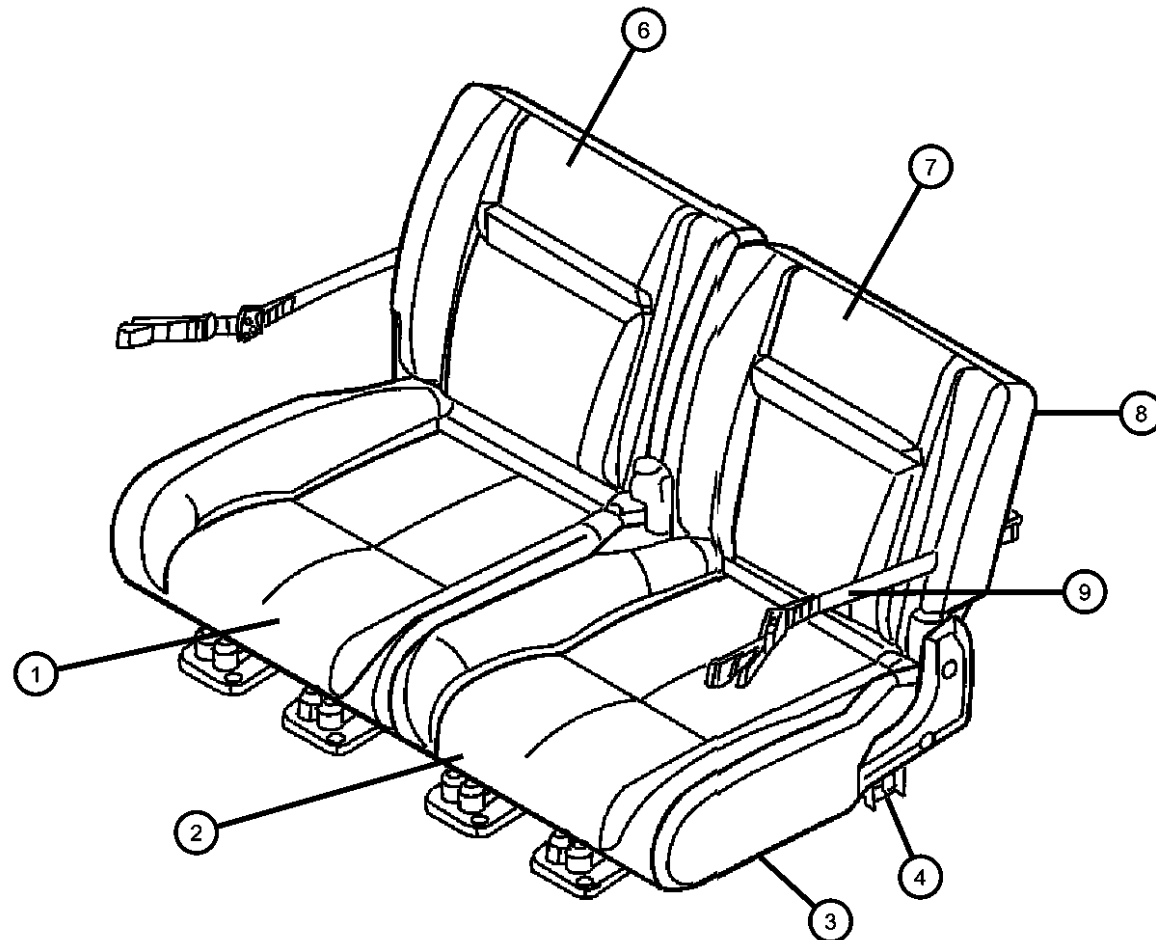
ENGINE
EDJ = 2.2L 4 Cyl Turbo Diesel Engine
EDT = 2.4L 4 Cyl DOHC 16V Turbo Engine
EDV = 2.4L 4 Cyl DOHC 16V HO Turbo Engine
EDZ = 2.4L 4 Cyl DOHC 16V SMPI Engine
EJD = 1.6L 4 Cyl SOHC 16V SMPI

TRANSMISSION
DGL = 4-Speed Automatic Transmission
DD5 = 5-Speed Manual Transmission
DDD = 5-Speed HD Manual Transmission

AR = use ase required - = Non illustrated part

2006 PT

Rear Seat - Trim Code [CL] - 27 Body
Figure IPT-615



ITEM	PART NUMBER	QTY	LINE	SERIES	BODY	ENGINE	TRANS	TRIM	DESCRIPTION
1									COVER, Rear Seat Cushion
	1CZ651D5AA	1	C		27			*CL	[DA], Left
	1CZ651KAAA	1	C		27			*CL	[KA], Left
	1CZ661D5AA	1	C		27			*CL	[DA], Right
	1CZ661KAAA	1	C		27			*CL	[KA], Right
2									FOAM, Seat Cushion
	05139502AA	1	C		27			*CL	Right
		1	Z		27			*CL	Right
	05139517AA	1	C		27			*CL	Left
		1	Z		27			*CL	Left
3									FRAME, Rear Seat Cushion
	05139501AA	1	C		27			*CL	Left
		1	Z		27			*CL	Left
	05139516AA	1	C		27			*CL	Right
		1	Z		27			*CL	Right
4	05067382AA	2			27				LATCH, Seat
-5									STRAP, Seat, Rear Seat Cushion Release
	05139506AA	1	C		27			*CL	
		1	Z		27			*CL	
6									COVER, Rear Seat Back
	1CZ591D5AA	1	C		27			*CL	[DA], Left
		1	Z		27			*CL	[DA], Left
	1CZ591KAAA	1	C		27			*CL	[KA], Left
		1	Z		27			*CL	[KA], Left
	1CZ641D5AA	1	C		27			*CL	[DA], Right
		1	Z		27			*CL	[DA], Right
	1CZ641KAAA	1	C		27			*CL	[KA], Right
		1	Z		27			*CL	[KA], Right
7									FOAM, Seat Back
	05139500AA	1	C		27			*CL	Right
		1	Z		27			*CL	Right

PT CRUISER (PT)
 SERIES LINE
 H = HIGHLINE C = CHRYSLER
 P = PREMIUM Z = CHRYSLER (RHD)
 S = SPORT
 X = SPECIAL

BODY
 27 = 2-DR CONVERTIBLE
 44 = HATCHBACK/QUAD
 CAB CHASSIS LWB

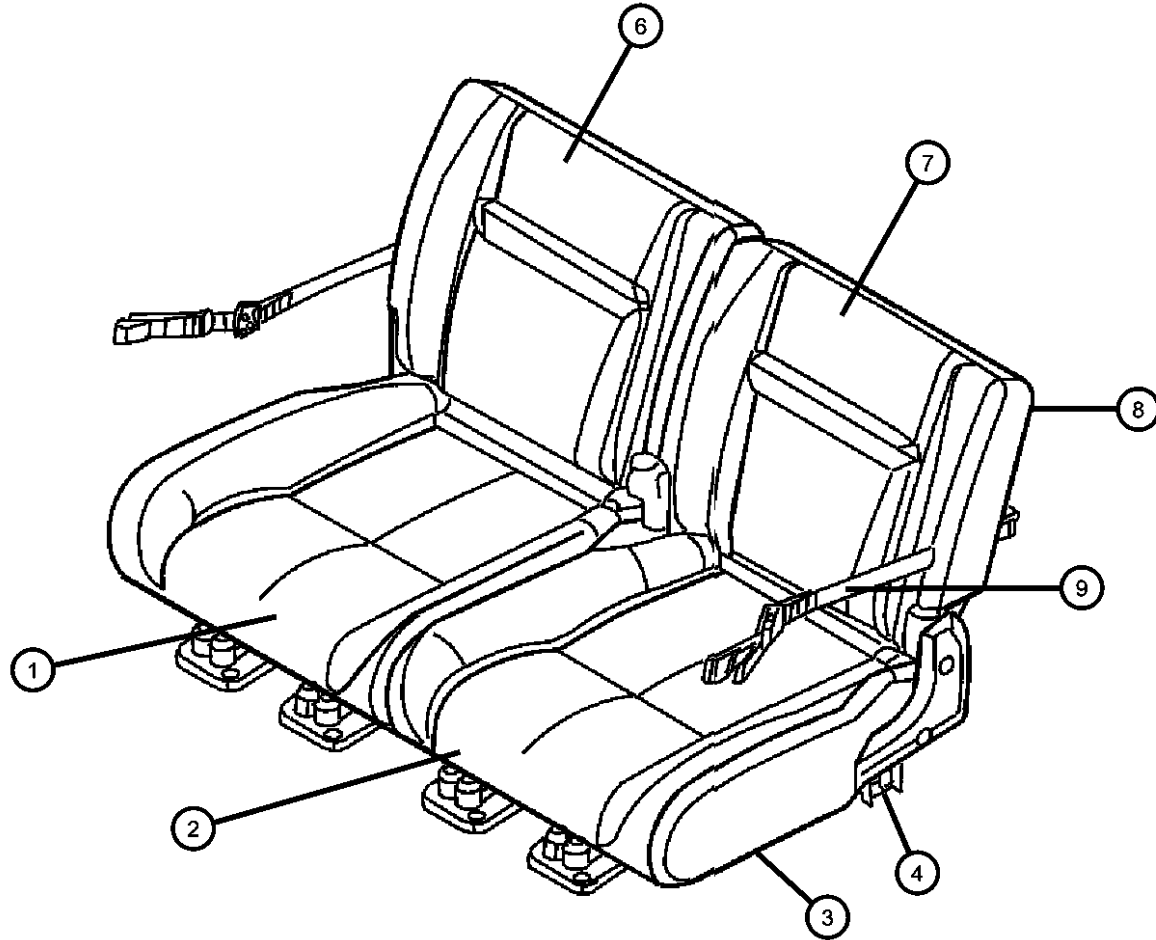
ENGINE
 EDJ = 2.2L 4 Cyl Turbo Diesel Engine
 EDT = 2.4L 4 Cyl DOHC 16V Turbo Engine
 EDV = 2.4L 4 Cyl DOHC 16V HO Turbo Engine
 EDZ = 2.4L 4 Cyl DOHC 16V SMPI Engine
 EJD = 1.6L 4 Cyl SOHC 16V SMPI

TRANSMISSION
 DGL = 4-Speed Automatic Transmission
 DD5 = 5-Speed Manual Transmission
 DDD = 5-Speed HD Manual Transmission

AR = use ase required - = Non illustrated part

Rear Seat - Trim Code [CL] - 27 Body
Figure IPT-615

ITEM	PART NUMBER	QTY	LINE	SERIES	BODY	ENGINE	TRANS	TRIM	DESCRIPTION
	05139515AA	1	C		27			*CL	Left
		1	Z		27			*CL	Left
8									FRAME, Rear Seat Back
	05139499AA	1	C		27			*CL	Left
		1	Z		27			*CL	Left
	05139514AA	1	C		27			*CL	Right
		1	Z		27			*CL	Right
9									STRAP, Seat
	05139504AA	1	C		27			*CL	Left
		1	Z		27			*CL	Left
	05139518AA	1	C		27			*CL	Right
		1	Z		27			*CL	Right



PT CRUISER (PT)

SERIES LINE
H = HIGHLINE C = CHRYSLER
P = PREMIUM Z = CHRYSLER (RHD)
S = SPORT
X = SPECIAL

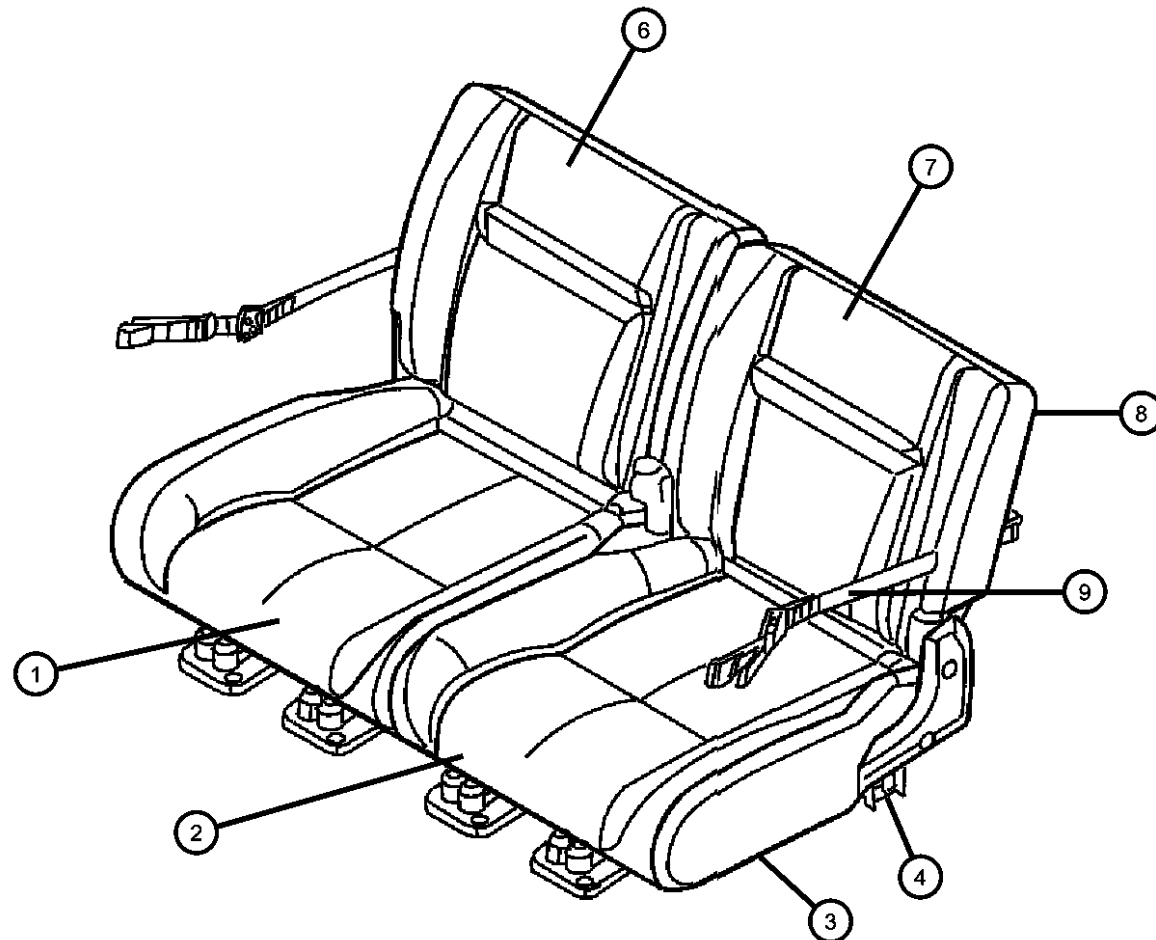
BODY
27 = 2-DR CONVERTIBLE
44 = HATCHBACK/QUAD
CAB CHASSIS LWB

ENGINE TRANSMISSION
EDJ = 2.2L 4 Cyl Turbo Diesel Engine DGL = 4-Speed Automatic Transmission
EDT = 2.4L 4 Cyl DOHC 16V Turbo Engine DD5 = 5-Speed Manual Transmission
EDV = 2.4L 4 Cyl DOHC 16V HO Turbo Engine DDD = 5-Speed HD Manual Transmission
EDZ = 2.4L 4 Cyl DOHC 16V SMPI Engine
EJD = 1.6L 4 Cyl SOHC 16V SMPI

AR = use ase required - = Non illustrated part

2006 PT

Rear Seat - Trim Code [XL]
Figure IPT-620



ITEM	PART NUMBER	QTY	LINE	SERIES	BODY	ENGINE	TRANS	TRIM	DESCRIPTION
1	1CZ741K2AA	1	C		27			*XL	COVER, Rear Seat Cushion Right
	1CZ751K2AA	1	C		27			*XL	Left
2	05139502AA	1	C		27			*XL	FOAM, Seat Cushion Right
	05139517AA	1	C		27			*XL	Left
3	05139501AA	1	C		27			*E7	FRAME, Rear Seat Cushion Left
	05139516AA	1	C		27			*XL	Right
4	05067382AA	2			27				LATCH, Seat
-5	05139506AA	1	C		27			*XL	STRAP, Seat, Rear Seat Cushion Release
6	1CZ721K2AA	1	C		27			*XL	COVER, Rear Seat Back Right
	1CZ731K2AA	1	C		27			*XL	Left
7	05139500AA	1	C		27			*XL	FOAM, Seat Back Right
	05139515AA	1	C		27			*XL	Left
8	05139499AA	1	C		27			*XL	FRAME, Rear Seat Back Left
	05139514AA	1	C		27			*XL	Right
9	05139504AA	1	C		27			*XL	STRAP, Seat Left
	05139518AA	1	C		27			*XL	Right

PT CRUISER (PT)

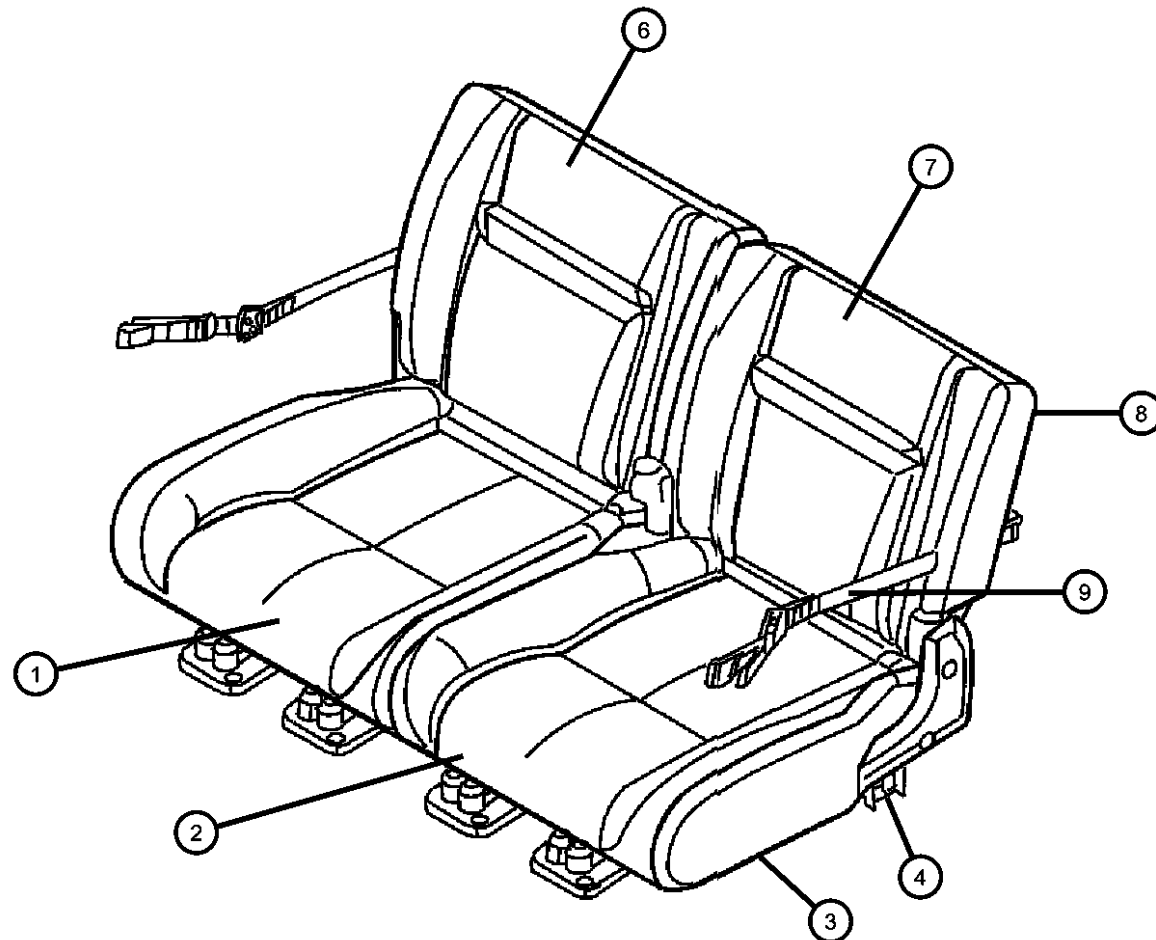
SERIES LINE
H = HIGHLINE C = CHRYSLER
P = PREMIUM Z = CHRYSLER (RHD)
S = SPORT
X = SPECIAL

BODY
27 = 2-DR CONVERTIBLE
44 = HATCHBACK/QUAD
CAB CHASSIS LWB

ENGINE TRANSMISSION
EDJ = 2.2L 4 Cyl Turbo Diesel Engine
EDT = 2.4L 4 Cyl DOHC 16V Turbo Engine
EDV = 2.4L 4 Cyl DOHC 16V HO Turbo Engine
EDZ = 2.4L 4 Cyl DOHC 16V SMPI Engine
EJD = 1.6L 4 Cyl SOHC 16V SMPI
DGL = 4-Speed Automatic Transmission
DD5 = 5-Speed Manual Transmission
DDD = 5-Speed HD Manual Transmission

AR = use ase required - = Non illustrated part

Rear Seat - Trim Code [E7] - 27 Body
Figure IPT-625



ITEM	PART NUMBER	QTY	LINE	SERIES	BODY	ENGINE	TRANS	TRIM	DESCRIPTION
1									COVER, Rear Seat Cushion
	1CZ561D5AA	1	C		27			*E7	[DA], Right
	1CZ561K2AA	1	C		27			*E7	[KA], Right
	1CZ551D5AA	1	C		27			*E7	[DA], Left
	1CZ551K2AA	1	C		27			*E7	[KA], Left
2									FOAM, Seat Cushion
	05139502AA	1	C		27			*E7	Right
	05139517AA	1	C		27			*E7	Left
3									FRAME, Rear Seat Cushion
	05139501AA	1	C		27			*E7	Left
	05139516AA	1	C		27			*E7	Right
4	05067382AA	2			27				LATCH, Seat
-5									STRAP, Seat
	05139506AA	1	C		27			*E7	
		1	Z		27			*CL	
6									COVER, Rear Seat Back
	1CZ531D5AA	1	C		27			*E7	[DA], Left
	1CZ531K2AA	1	C		27			*E7	[KA], Left
	1CZ541D5AA	1	C		27			*E7	[DA], Right
	1CZ541K2AA	1	C		27			*E7	[KA], Right
7									FOAM, Seat Back
	05139500AA	1	C		27			*E7	Right
	05139515AA	1	C		27			*E7	Left
8									FRAME, Rear Seat Back
	05139499AA	1	C		27			*E7	Left
	05139514AA	1	C		27			*E7	Right
9									STRAP, Seat
	05139504AA	1	C		27			*E7	Left
	05139518AA	1	C		27			*E7	Right

PT CRUISER (PT)

SERIES LINE
H = HIGHLINE C = CHRYSLER
P = PREMIUM Z = CHRYSLER (RHD)
S = SPORT
X = SPECIAL

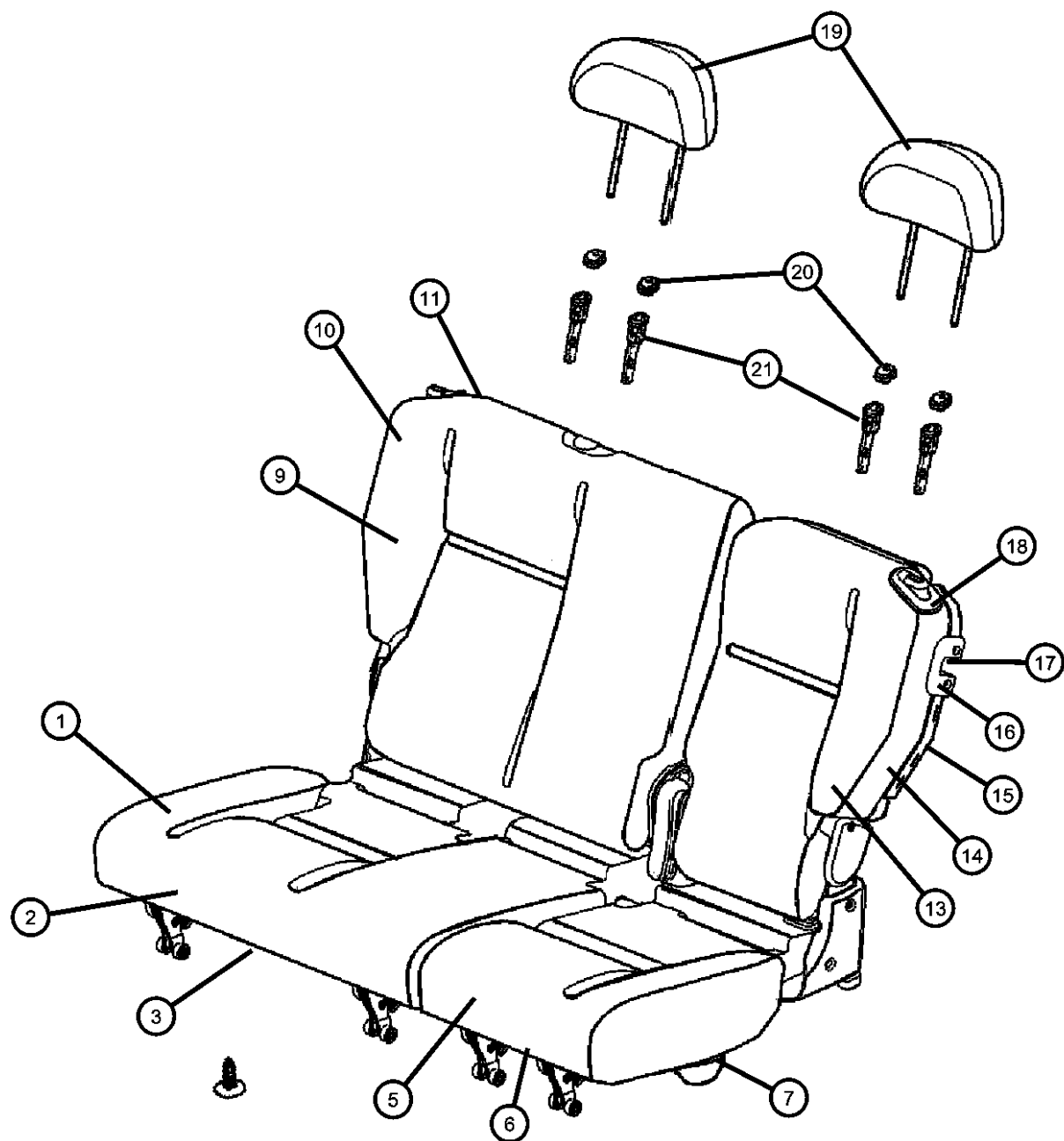
BODY
27 = 2-DR CONVERTIBLE
44 = HATCHBACK/QUAD
CAB CHASSIS LWB

ENGINE
EDJ = 2.2L 4 Cyl Turbo Diesel Engine
EDT = 2.4L 4 Cyl DOHC 16V Turbo Engine
EDV = 2.4L 4 Cyl DOHC 16V HO Turbo Engine
EDZ = 2.4L 4 Cyl DOHC 16V SMPI Engine
EJD = 1.6L 4 Cyl SOHC 16V SMPI

TRANSMISSION
DGL = 4-Speed Automatic Transmission
DD5 = 5-Speed Manual Transmission
DDD = 5-Speed HD Manual Transmission

AR = use ase required - = Non illustrated part

Rear Seats - Trim Code [E7] - 44 Body
Figure IPT-627



ITEM	PART NUMBER	QTY	LINE	SERIES	BODY	ENGINE	TRANS	TRIM	DESCRIPTION
1									COVER, Rear Seat Cushion, 60 % Side
	1CX841D5AA	1	C		44			*E7	[DA]
	1CX841K2AA	1	C		44			*E7	[KA]
2	05175922AA	1	C		44			*E7	FOAM, Seat Cushion, 60 % Side
3	05175920AA	1	C		44			*E7	FRAME, Rear Seat Cushion, 60 % Side
-4									LATCH, Seat, 60 % Side
	05175923AA	1	C		44			*E7	Inboard
	05175924AA	1	C		44			*E7	Outboard
5									COVER, Rear Seat Cushion, 40 % Side
	1CX851D5AA	1	C		44			*E7	[DA]
	1CX851K2AA	1	C		44			*E7	[KA]
6	05175921AA	1	C		44			*E7	FOAM, Seat Cushion, 40 % Side
7	05175919AA	1	C		44			*E7	FRAME, Rear Seat Cushion, 40 % Side
-8									LATCH, Seat, 40 % Side
	05175925AA	1	C		44			*E7	Outboard
	05175926AA	1	C		44			*E7	Inboard
9									COVER, Rear Seat Back, 60 % Side
	1CX821D5AA	1	C		44			*E7	[DA]
	1CX821K2AA	1	C		44			*E7	[KA]
10	05175918AA	1	C		44			*E7	FOAM, Seat Back, 60 % Side
11	05175916AA	1	C		44			*E7	FRAME, Rear Seat Back, 60 % Side
-12									LATCH, Seat, 60 % Side
	0ZL621K2AA	1	C		44			*E7	[KA]
	0ZL62BD5AA	1	C		44			*E7	[DA]
13									COVER, Rear Seat Back, 40 % Side
	1CX831D5AA	1	C		44			*E7	[DA]
	1CX831K2AA	1	C		44			*E7	[KA]
14	05175917AA	1	C		44			*E7	FOAM, Seat Back, 40 % Side

PT CRUISER (PT)

SERIES LINE
H = HIGHLINE C = CHRYSLER
P = PREMIUM Z = CHRYSLER (RHD)
S = SPORT
X = SPECIAL

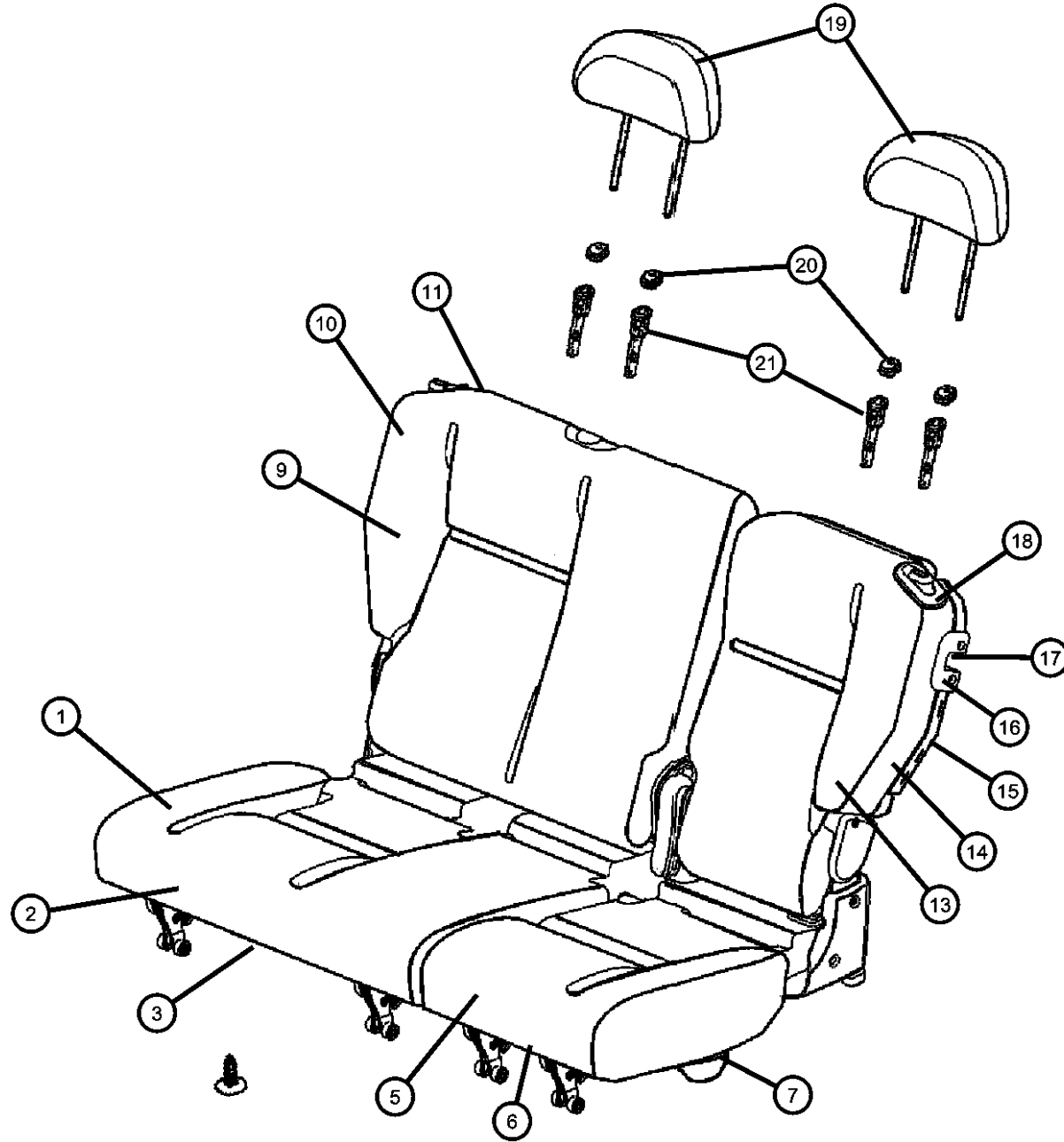
BODY
27 = 2-DR CONVERTIBLE
44 = HATCHBACK/QUAD
CAB CHASSIS LWB

ENGINE TRANSMISSION
EDJ = 2.2L 4 Cyl Turbo Diesel Engine
EDT = 2.4L 4 Cyl DOHC 16V Turbo Engine
EDV = 2.4L 4 Cyl DOHC 16V HO Turbo Engine
EDZ = 2.4L 4 Cyl DOHC 16V SMPI Engine
EJD = 1.6L 4 Cyl SOHC 16V SMPI
DGL = 4-Speed Automatic Transmission
DD5 = 5-Speed Manual Transmission
DDD = 5-Speed HD Manual Transmission

AR = use ase required - = Non illustrated part

2006 PT

Rear Seats - Trim Code [E7] - 44 Body
Figure IPT-627



ITEM	PART NUMBER	QTY	LINE	SERIES	BODY	ENGINE	TRANS	TRIM	DESCRIPTION
15	05175911AA	1	C		44			*E7	FRAME, Rear Seat Back, 40 % Side
16									BEZEL, Seat Latch
	0WA921D5AA	1	C		44			*E7	[DA]
	0WA921K2AA	1	C		44			*E7	[KA]
17									LATCH, Seat, 40 % Side
	0ZL731K2AA	1	C		44			*E7	[KA]
	0ZL73DK2AA	1	C		44			*E7	[DA]
18									BEZEL, Seat Release
	0ZK411D5AA	1	C		44			*E7	[DA]
	0ZK411K2AA	1	C		44			*E7	[KA]
19									HEADREST, Rear
	1CX631D5AA	1	C		44			*E7	[DA]
	1CX631K2AA	1	C		44			*E7	[KA]
20									CAP, Headrest Adjuster
	0WA311D5AA	1	C		44			*E7	[DA], Slave Cylinder
	0WA311K2AA	1	C		44			*E7	[KA], Slave Cylinder
	0WA461D5AA	1	C		44			*E7	[DA], Locking
	0WA461K2AA	1	C		44			*E7	[KA], Locking
21	05066017AA	1	C		44			*E7	SLEEVE, Headrest
-22									BEZEL, TETHER, Child Tether
	0ZL781D5AA	1	C		44			*E7	[DA]
	0ZL781K2AA	1	C		44			*E7	[KA]

PT CRUISER (PT)

SERIES LINE
H = HIGHLINE C = CHRYSLER
P = PREMIUM Z = CHRYSLER (RHD)
S = SPORT
X = SPECIAL

BODY
27 = 2-DR CONVERTIBLE
44 = HATCHBACK/QUAD
CAB CHASSIS LWB

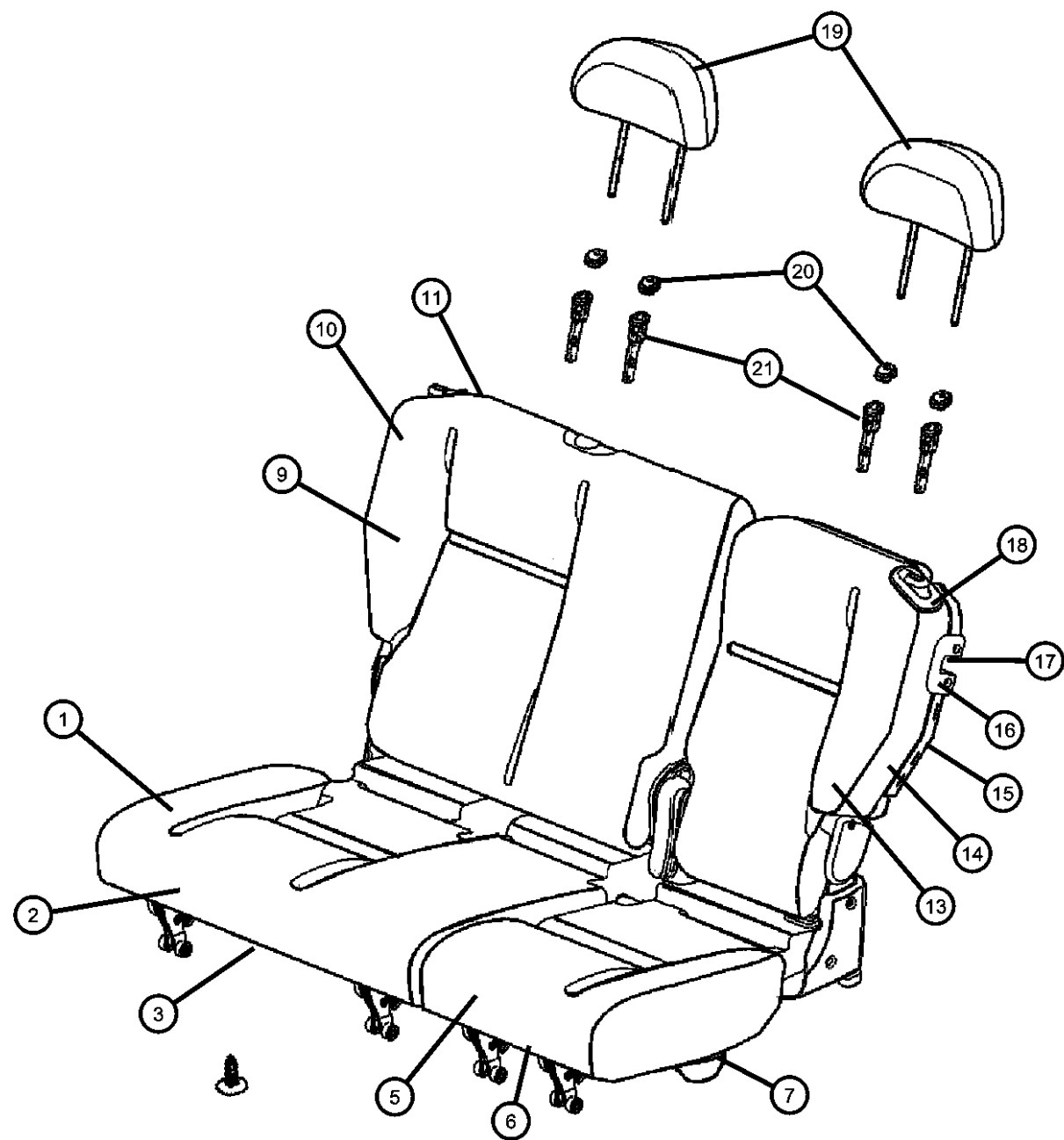
ENGINE
EDJ = 2.2L 4 Cyl Turbo Diesel Engine
EDT = 2.4L 4 Cyl DOHC 16V Turbo Engine
EDV = 2.4L 4 Cyl DOHC 16V HO Turbo Engine
EDZ = 2.4L 4 Cyl DOHC 16V SMPI Engine
EJD = 1.6L 4 Cyl SOHC 16V SMPI

TRANSMISSION
DGL = 4-Speed Automatic Transmission
DD5 = 5-Speed Manual Transmission
DDD = 5-Speed HD Manual Transmission

AR = use ase required - = Non illustrated part

2006 PT

Rear Seat - Trim Code [TL]
Figure IPT-628



ITEM	PART NUMBER	QTY	LINE	SERIES	BODY	ENGINE	TRANS	TRIM	DESCRIPTION
1									COVER, Rear Seat Cushion, 60 % Side
	1CX761D5AA	1	C		44			*TL	[DA]
		1	Z		44			*TL	[DA]
	1CX761K2AA	1	Z		44			*TL	[KA]
		1	C		44			*TL	[KA]
2									FOAM, Seat Cushion, 60 % Side
	05175922AA	1	Z		44			*TL	
		1	C		44			*TL	
3									FRAME, Rear Seat Cushion, 60 % Side
	05175920AA	1	Z		44			*TL	
		1	C		44			*TL	
-4									LATCH, Seat, 60 % Side
	05175923AA	1	C		44			*TL	Inboard
		1	Z		44			*TL	Inboard
	05175924AA	1	C		44			*TL	Outboard
		1	Z		44			*TL	Outboard
5									COVER, Rear Seat Cushion, 40 % Side
	1CX771D5AA	1	Z		44			*TL	[DA]
		1	C		44			*TL	[KA]
		1	Z		44			*TL	[KA]
		1	C		44			*TL	[DA]
6									FOAM, Seat Cushion, 40 % Side
	05175921AA	1	C		44			*TL	
		1	Z		44			*TL	
7									FRAME, Rear Seat Cushion, 40 % Side
	05175919AA	1	C		44			*TL	
		1	Z		44			*TL	
-8									LATCH, Seat, 40 % Side
	05175925AA	1	C		44			*TL	Outboard
	05175926AA	1	C		44			*TL	Inboard

PT CRUISER (PT)

SERIES LINE
H = HIGHLINE C = CHRYSLER
P = PREMIUM Z = CHRYSLER (RHD)
S = SPORT
X = SPECIAL

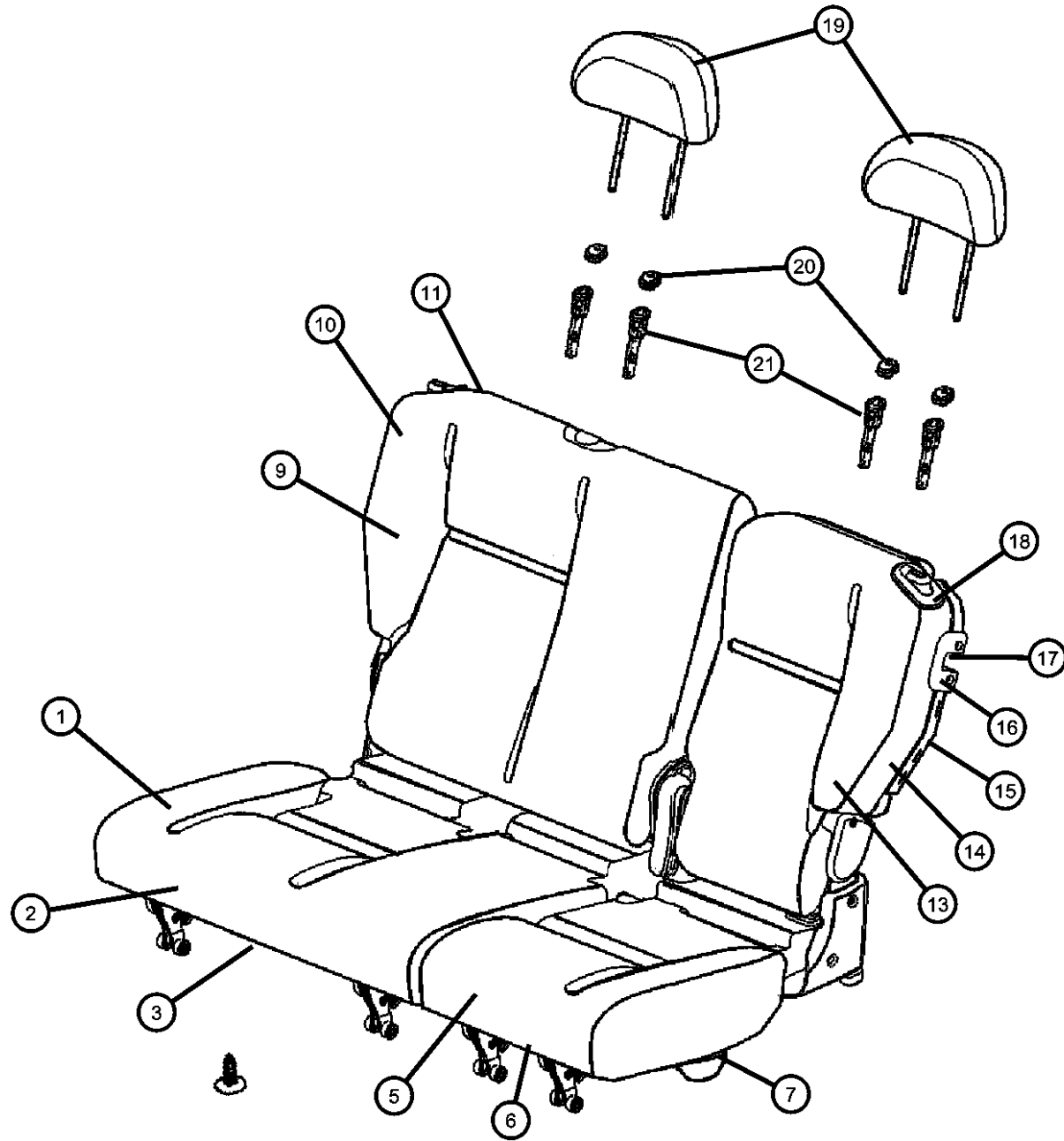
BODY
27 = 2-DR CONVERTIBLE
44 = HATCHBACK/QUAD
CAB CHASSIS LWB

ENGINE
EDJ = 2.2L 4 Cyl Turbo Diesel Engine
EDT = 2.4L 4 Cyl DOHC 16V Turbo Engine
EDV = 2.4L 4 Cyl DOHC 16V HO Turbo Engine
EDZ = 2.4L 4 Cyl DOHC 16V SMPI Engine
EJD = 1.6L 4 Cyl SOHC 16V SMPI

TRANSMISSION
DGL = 4-Speed Automatic Transmission
DD5 = 5-Speed Manual Transmission
DDD = 5-Speed HD Manual Transmission

AR = use ase required - = Non illustrated part

Rear Seat - Trim Code [TL]
Figure IPT-628



ITEM	PART NUMBER	QTY	LINE	SERIES	BODY	ENGINE	TRANS	TRIM	DESCRIPTION
		1	Z		44			*TL	Inboard
		1	Z		44			*TL	Outboard
9									COVER, Rear Seat Back, 60 % Side
	1CX741K2AA	1	C		44			*TL	[KA]
		1	Z		44			*TL	[KA]
	1CX741D5AA	1	C		44			*TL	[DA]
		1	Z		44			*TL	[DA]
10									FOAM, Seat Back, 60 % Side
	05175918AA	1	C		44			*TL	
		1	Z		44			*TL	
11									FRAME, Rear Seat Back, 60 % Side
	05175916AA	1	Z		44			*TL	
		1	C		44			*TL	
-12									LATCH, Seat, 60 % Side
	0ZL621K2AA	1	Z		44			*TL	[KA]
	0ZL621D5AA	1	Z		44			*TL	[DA]
		1	C		44			*TL	[KA]
	0ZL731D5AA	1	C		44			*TL	[DA]
13									COVER, Rear Seat Back, 40 % Side
	1CX751D5AA	1	C		44			*TL	[DA]
		1	Z		44			*TL	[DA]
	1CX751K2AA	1	C		44			*TL	[KA]
		1	Z		44			*TL	[KA]
14									FOAM, Seat Back, 40 % Side
	05175917AA	1	C		44			*TL	
		1	Z		44			*TL	
15									FRAME, Rear Seat Back, 40 % Side
	05175911AA	1	C		44			*TL	
		1	Z		44			*TL	

PT CRUISER (PT)

SERIES LINE
H = HIGHLINE C = CHRYSLER
P = PREMIUM Z = CHRYSLER (RHD)
S = SPORT
X = SPECIAL

BODY
27 = 2-DR CONVERTIBLE
44 = HATCHBACK/QUAD
CAB CHASSIS LWB

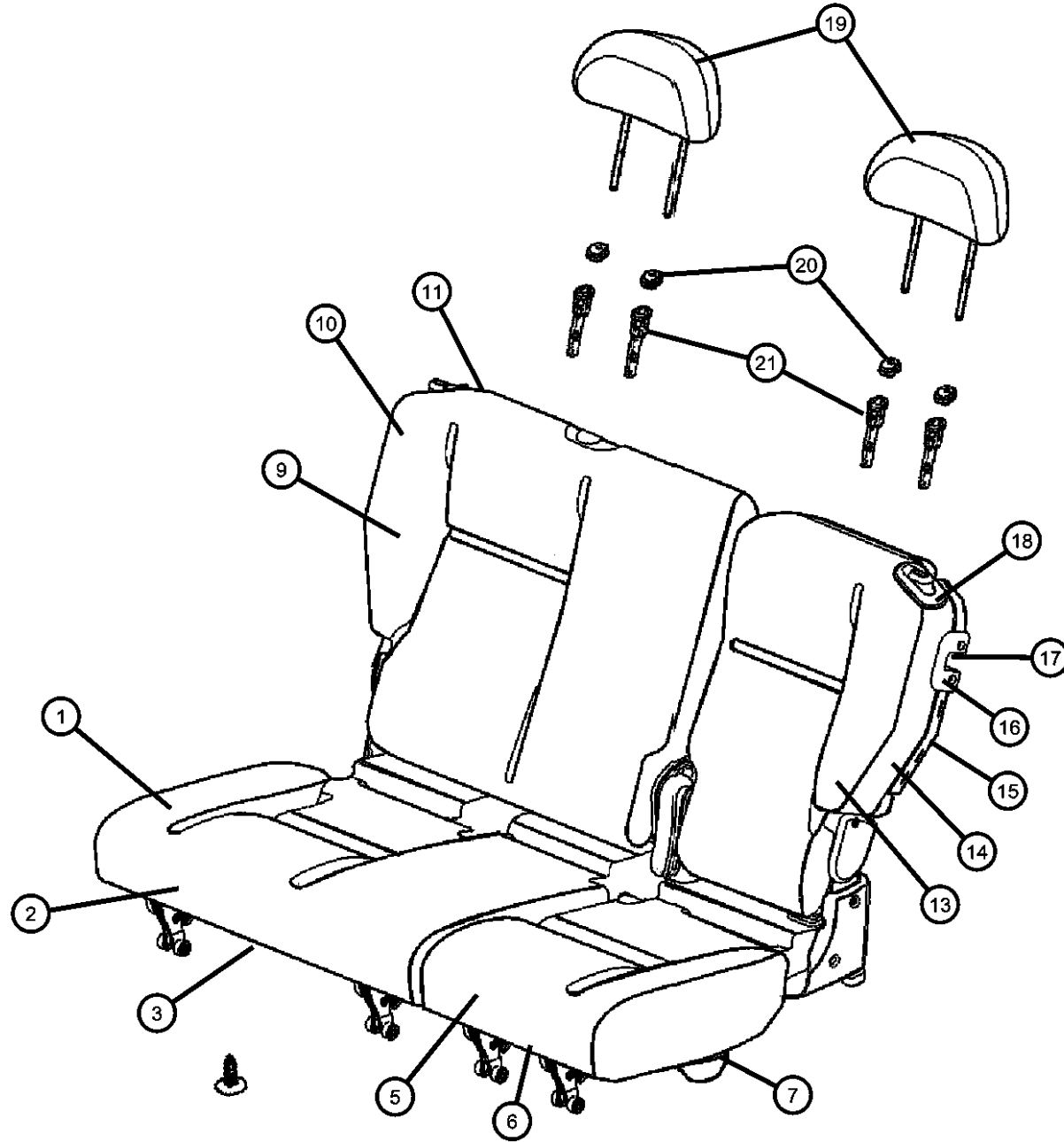
ENGINE
EDJ = 2.2L 4 Cyl Turbo Diesel Engine
EDT = 2.4L 4 Cyl DOHC 16V Turbo Engine
EDV = 2.4L 4 Cyl DOHC 16V HO Turbo Engine
EDZ = 2.4L 4 Cyl DOHC 16V SMPI Engine
EJD = 1.6L 4 Cyl SOHC 16V SMPI

TRANSMISSION
DGL = 4-Speed Automatic Transmission
DD5 = 5-Speed Manual Transmission
DDD = 5-Speed HD Manual Transmission

AR = use ase required - = Non illustrated part

2006 PT

Rear Seat - Trim Code [TL]
Figure IPT-628



ITEM	PART NUMBER	QTY	LINE	SERIES	BODY	ENGINE	TRANS	TRIM	DESCRIPTION
16	0WA921D5AA	1	C		44			*TL	BEZEL, Seat Latch [DA]
		1	Z		44			*TL	[DA]
	0WA921K2AA	1	C		44			*TL	[KA]
		1	Z		44			*TL	[KA]
17	0ZL731D5AA	1	C		44			*TL	LATCH, Seat, 40 % Side [DA]
		1	Z		44			*TL	[DA]
	0ZL731K2AA	1	C		44			*TL	[KA]
		1	Z		44			*TL	[KA]
18	0ZK411D5AA	1	C		44			*TL	BEZEL, Seat Release [DA]
		1	Z		44			*TL	[DA]
	0ZK411K2AA	1	C		44			*TL	[KA]
		1	Z		44			*TL	[KA]
19	1CX631D5AA	1	C		44			*TL	HEADREST, Rear [DA]
		1	Z		44			*TL	[KA]
	1CX87BD5AA	1	Z		44			*TL	[DA]
		1	Z		44			*TL	[KA]
20	0WA311D5AA	1	C		44			*TL	CAP, Headrest Adjuster [DA], Slave Cylinder
		1	Z		44			*TL	[DA], Slave Cylinder
	0WA311K2AA	1	C		44			*TL	[KA], Slave Cylinder
		1	Z		44			*TL	[KA], Slave Cylinder
	0WA461D5AA	1	Z		44			*TL	[DA], Locking
		1	C		44			*TL	[DA], Locking
0WA461K2AA	1	C		44			*TL	[KA], Locking	
	1	Z		44			*TL	[KA], Locking	
21	05066017AA	1	Z		44			*P7	SLEEVE, Headrest

PT CRUISER (PT)

SERIES LINE
H = HIGHLINE C = CHRYSLER
P = PREMIUM Z = CHRYSLER (RHD)
S = SPORT
X = SPECIAL

BODY
27 = 2-DR CONVERTIBLE
44 = HATCHBACK/QUAD
CAB CHASSIS LWB

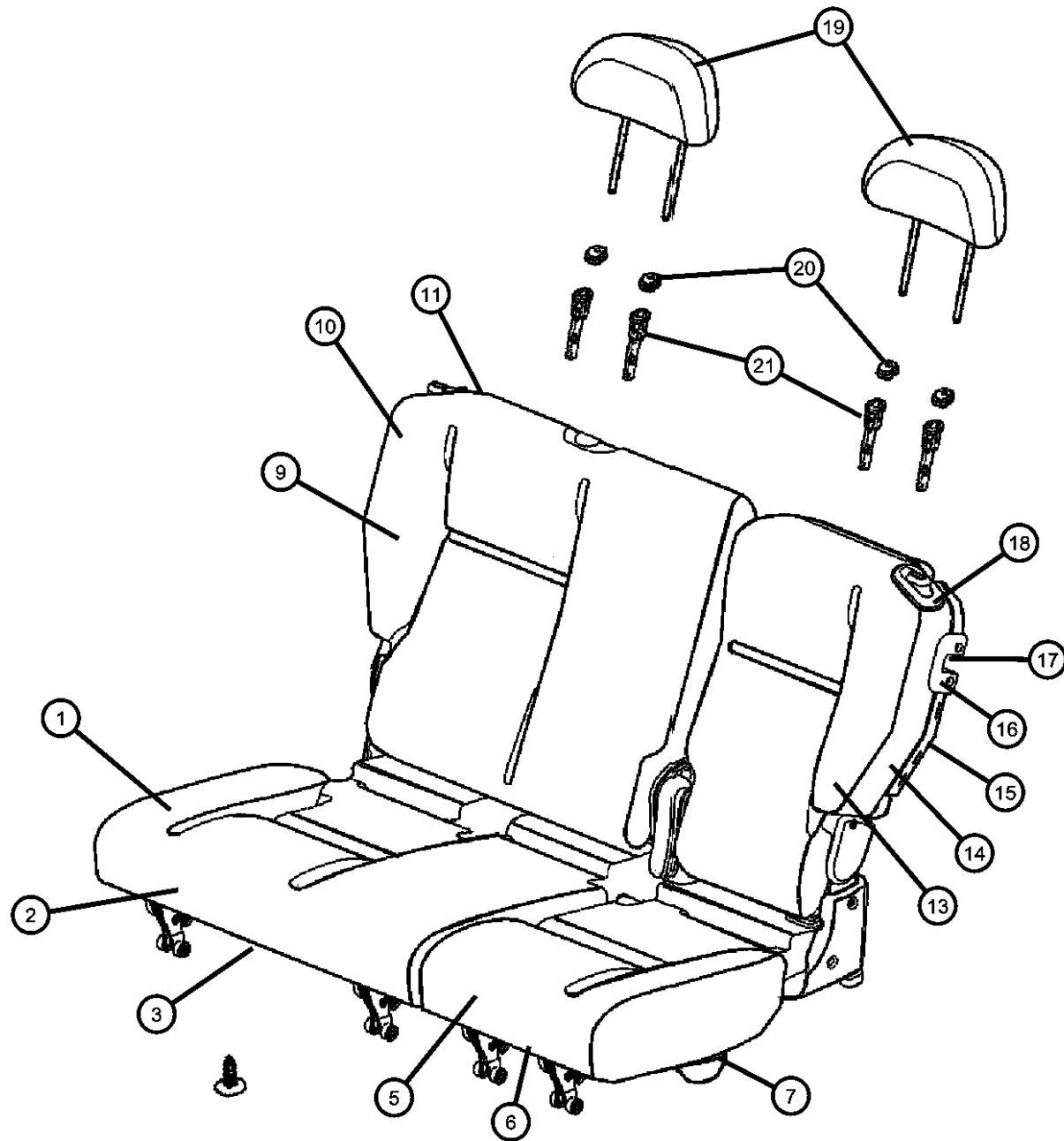
ENGINE TRANSMISSION
EDJ = 2.2L 4 Cyl Turbo Diesel Engine
EDT = 2.4L 4 Cyl DOHC 16V Turbo Engine
EDV = 2.4L 4 Cyl DOHC 16V HO Turbo Engine
EDZ = 2.4L 4 Cyl DOHC 16V SMPI Engine
EJD = 1.6L 4 Cyl SOHC 16V SMPI
DGL = 4-Speed Automatic Transmission
DD5 = 5-Speed Manual Transmission
DDD = 5-Speed HD Manual Transmission

AR = use ase required - = Non illustrated part

2006 PT

Rear Seat - Trim Code [TL]
Figure IPT-628

ITEM	PART NUMBER	QTY	LINE	SERIES	BODY	ENGINE	TRANS	TRIM	DESCRIPTION
-22		1	C		44			*TL	BEZEL, TETHER, Child Tether
	0ZL781D5AA	1	C		44			*TL	[DA]
		1	Z		44			*TL	[DA]
	0ZL781K2AA	1	C		44			*TL	[KA]
		1	Z		44			*TL	[KA]



PT CRUISER (PT)

SERIES LINE
H = HIGHLINE C = CHRYSLER
P = PREMIUM Z = CHRYSLER (RHD)
S = SPORT
X = SPECIAL

BODY
27 = 2-DR CONVERTIBLE
44 = HATCHBACK/QUAD
CAB CHASSIS LWB

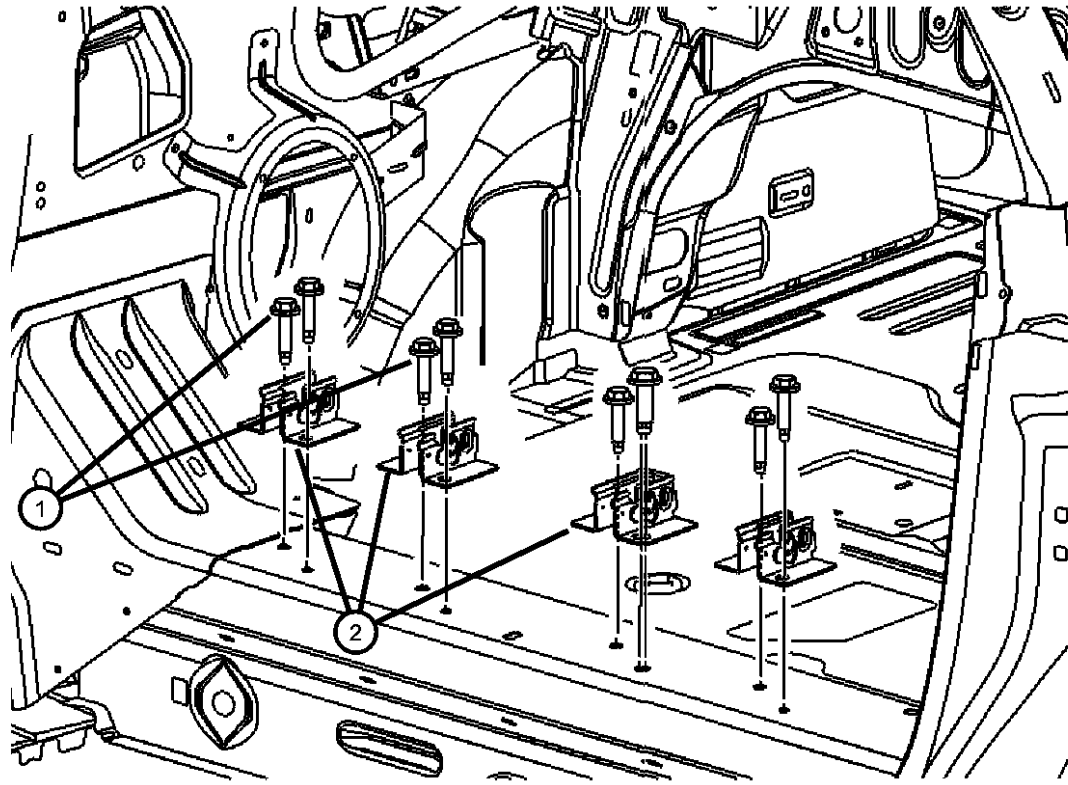
ENGINE TRANSMISSION
EDJ = 2.2L 4 Cyl Turbo Diesel Engine
EDT = 2.4L 4 Cyl DOHC 16V Turbo Engine
EDV = 2.4L 4 Cyl DOHC 16V HO Turbo Engine
EDZ = 2.4L 4 Cyl DOHC 16V SMPI Engine
EJD = 1.6L 4 Cyl SOHC 16V SMPI
DGL = 4-Speed Automatic Transmission
DD5 = 5-Speed Manual Transmission
DDD = 5-Speed HD Manual Transmission

AR = use ase required - = Non illustrated part

2006 PT

Rear Seat - Pivot Brackets
Figure IPT-630

ITEM	PART NUMBER	QTY	LINE	SERIES	BODY	ENGINE	TRANS	TRIM	DESCRIPTION
1	06100586	8			27				BOLT AND CONED WASHER, Hex Head, M8x40x20
2	04645977AB	4			27				BRACKET, Rear Seat Pivot



PT CRUISER (PT)

SERIES LINE
H = HIGHLINE C = CHRYSLER
P = PREMIUM Z = CHRYSLER (RHD)
S = SPORT
X = SPECIAL

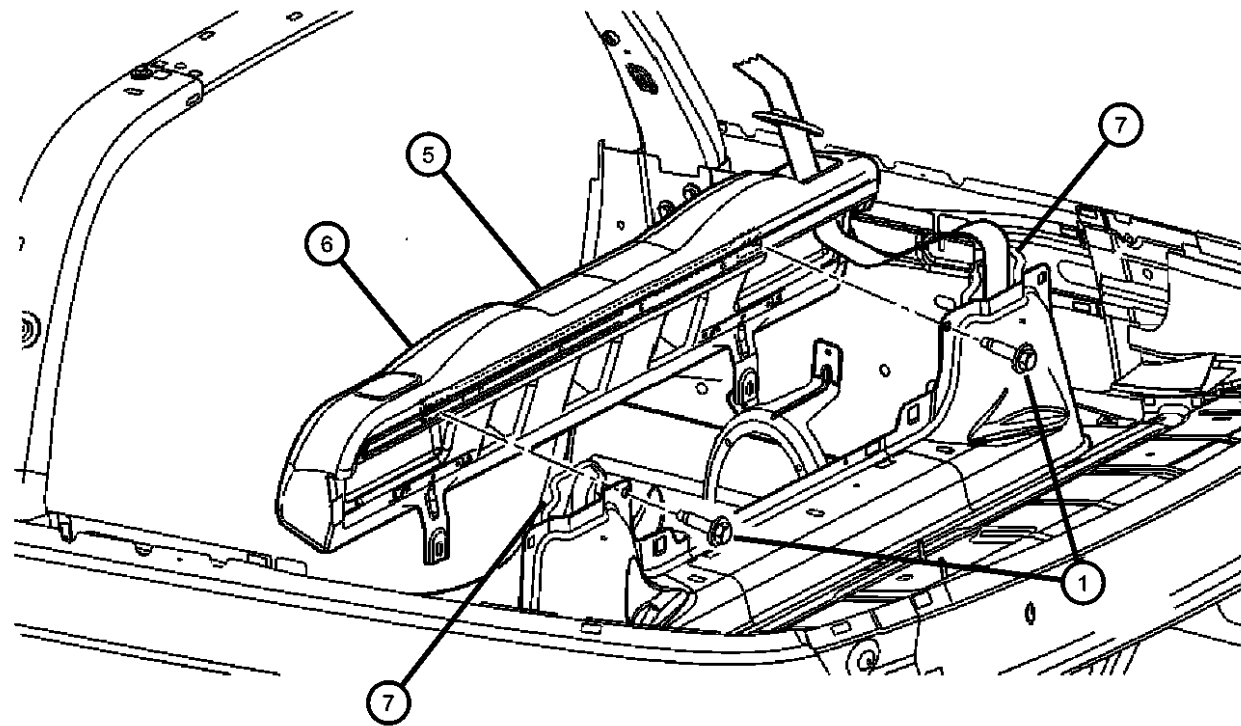
BODY
27 = 2-DR CONVERTIBLE
44 = HATCHBACK/QUAD
CAB CHASSIS LWB

ENGINE TRANSMISSION
EDJ = 2.2L 4 Cyl Turbo Diesel Engine
EDT = 2.4L 4 Cyl DOHC 16V Turbo Engine
EDV = 2.4L 4 Cyl DOHC 16V HO Turbo Engine
EDZ = 2.4L 4 Cyl DOHC 16V SMPI Engine
EJD = 1.6L 4 Cyl SOHC 16V SMPI
DGL = 4-Speed Automatic Transmission
DD5 = 5-Speed Manual Transmission
DDD = 5-Speed HD Manual Transmission

AR = use ase required - = Non illustrated part

2006 PT

Rear Seat - Bolster
Figure IPT-640



ITEM	PART NUMBER	QTY	LINE	SERIES	BODY	ENGINE	TRANS	TRIM	DESCRIPTION
1	06102067AA	4			27				BOLT
-2									SCREW, Trim
	05139496AB	1			27			*E7	
		1			27			*CL	
		1			27			*XL	
-3									BRACKET, Bolster
	05139519AA	1			27			*E7	
		1			27			*CL	
		1			27			*XL	
-4									RETAINER
	05139520AA	1			27			*E7	
		1			27			*CL	
		1			27			*XL	
5									BOLSTER, Seat
	05139521AA	1			27			*E7	
		1			27			*CL	
		1			27			*XL	
6									COVER, Seat Back Bolster
	1CX33BD5AA	1			27			*E7	[DA]
	1CX33DK2AA	1			27			*E7	[KA]
	1CX47DK5AA	1			27			*CL	[KA]
	1CX47XD-HAA	1			27			*CL	[DA]
	1CX48DK2AA	1			27			*XL	[KA]
7	05067374AA	1			27				RETAINER, Seat Belt to Seat

PT CRUISER (PT)

SERIES LINE
H = HIGHLINE C = CHRYSLER
P = PREMIUM Z = CHRYSLER (RHD)
S = SPORT
X = SPECIAL

BODY
27 = 2-DR CONVERTIBLE
44 = HATCHBACK/QUAD
CAB CHASSIS LWB

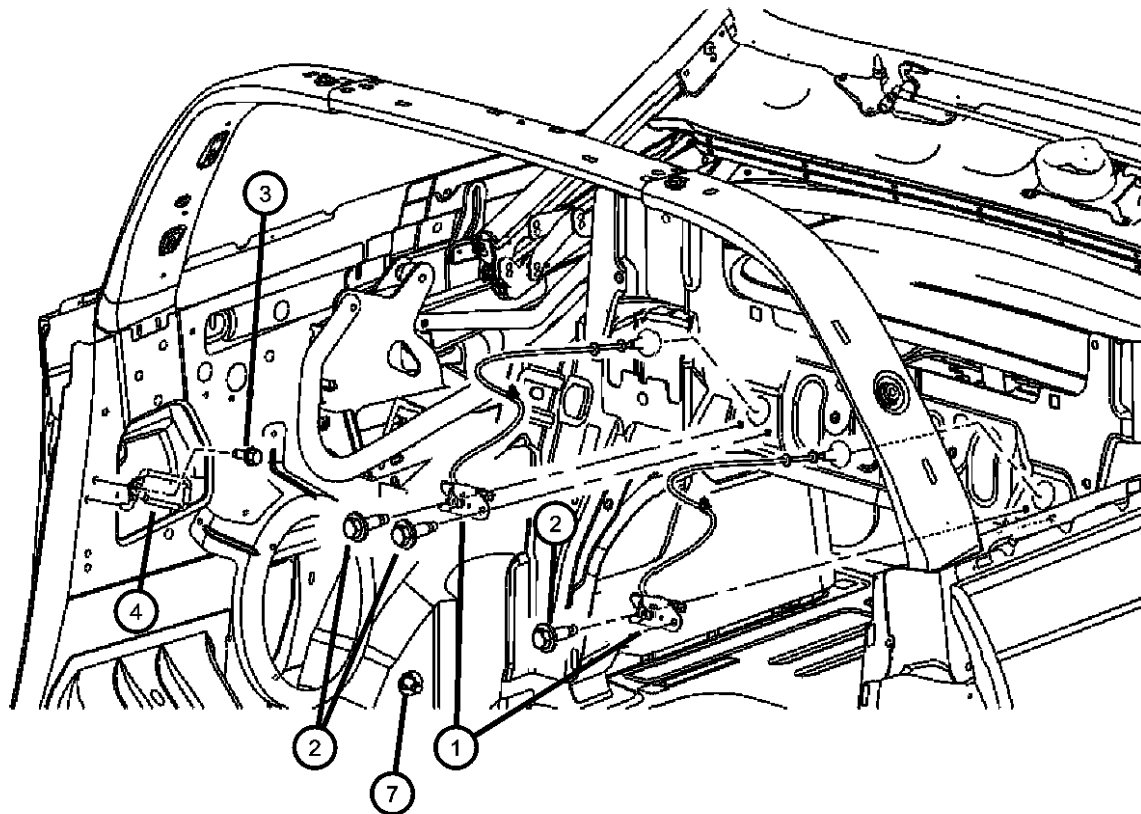
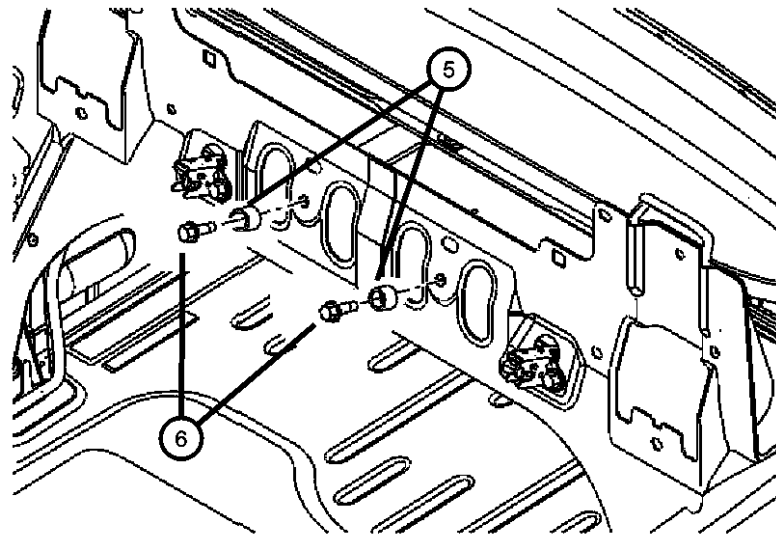
ENGINE TRANSMISSION
EDJ = 2.2L 4 Cyl Turbo Diesel Engine
EDT = 2.4L 4 Cyl DOHC 16V Turbo Engine
EDV = 2.4L 4 Cyl DOHC 16V HO Turbo Engine
EDZ = 2.4L 4 Cyl DOHC 16V SMPI Engine
EJD = 1.6L 4 Cyl SOHC 16V SMPI
DGL = 4-Speed Automatic Transmission
DD5 = 5-Speed Manual Transmission
DDD = 5-Speed HD Manual Transmission

AR = use ase required - = Non illustrated part

2006 PT

Rear seat Back Attaching
Figure IPT-645

ITEM	PART NUMBER	QTY	LINE	SERIES	BODY	ENGINE	TRANS	TRIM	DESCRIPTION
1	05067382AA	2			27				LATCH, Seat
2	34201686	2							BOLT, Hex Flange Head, M12x1.18x35
3	06501714	4			27				SCREW AND WASHER, Hex Head, M6x1x18
4	04645978AA	2			27				STRIKER, Seat Latch
5	04696592	2			27				BUMPER, Hood
6	06102199AA	2			27				SCREW
7	05067470AA	2			27				STUD PLATE



PT CRUISER (PT)

SERIES LINE
H = HIGHLINE C = CHRYSLER
P = PREMIUM Z = CHRYSLER (RHD)
S = SPORT
X = SPECIAL

BODY
27 = 2-DR CONVERTIBLE
44 = HATCHBACK/QUAD
CAB CHASSIS LWB

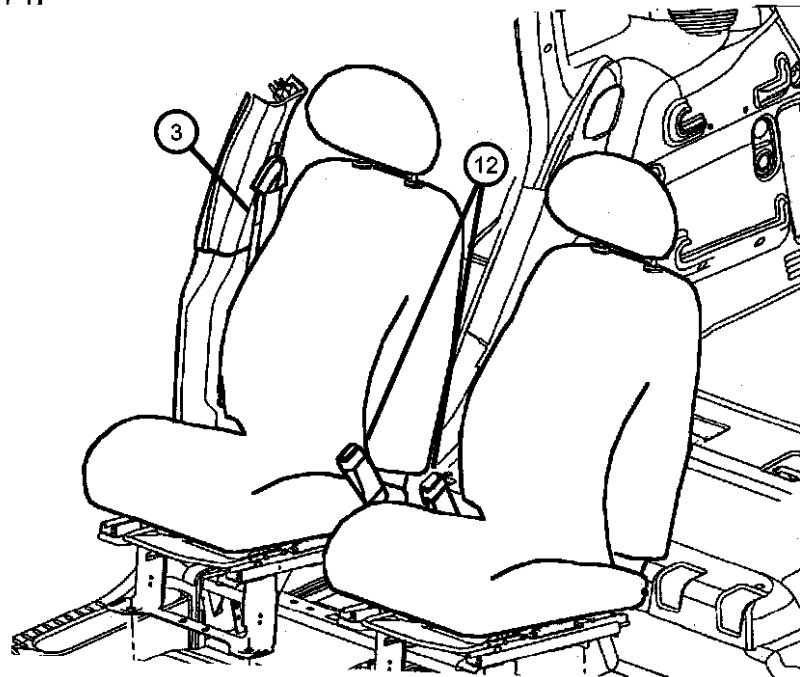
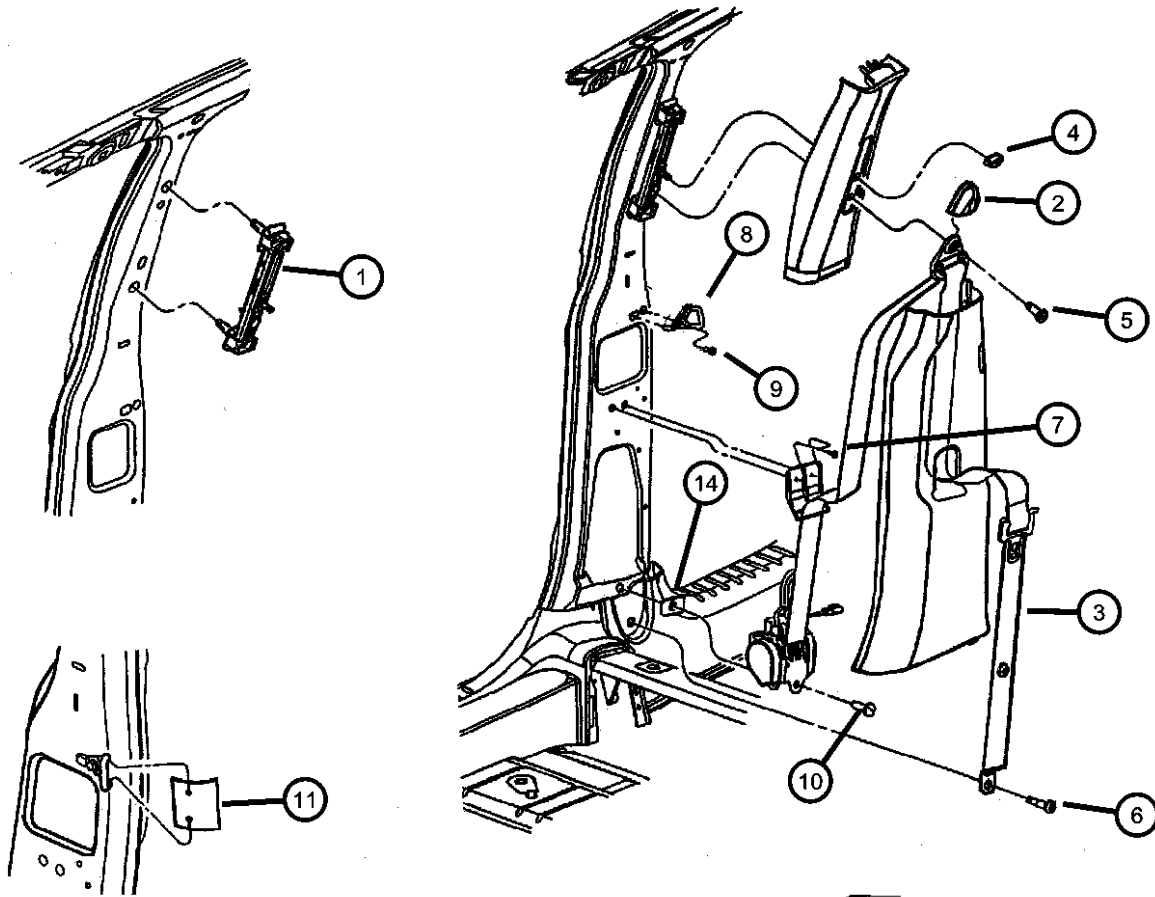
ENGINE TRANSMISSION
EDJ = 2.2L 4 Cyl Turbo Diesel Engine DGL = 4-Speed Automatic Transmission
EDT = 2.4L 4 Cyl DOHC 16V Turbo Engine DD5 = 5-Speed Manual Transmission
EDV = 2.4L 4 Cyl DOHC 16V Turbo Engine DDD = 5-Speed HD Manual Transmission
HO Turbo Engine
EDZ = 2.4L 4 Cyl DOHC 16V SMPI Engine
EJD = 1.6L 4 Cyl SOHC 16V SMPI

AR = use ase required - = Non illustrated part

2006 PT

Seat Belt - Front 44 Body
Figure IPT-705

ITEM	PART NUMBER	QTY	LINE	SERIES	BODY	ENGINE	TRANS	TRIM	DESCRIPTION
Sales Code [CGK] = E-Marked Seat Belts									
1	04645950AE	2			44				ADJUSTER, Seat Belt Turning Loop
2									COVER, Adjustable Turning Loop
	0WF64DW1AA	2			44			*O0	[DA]
		2			44			*O0	[KA]
3									SEAT BELT, Front Outer
	0ZF30DK5AB	1			44			*O0	[KA] , Without [CGK], Right
	0ZF30BD5AC	1			44			*O0	[DA] , Without [CGK], Right
	0ZF31DK5AB	1			44			*O0	[KA] , Without [CGK], Left
	1AK44BD5AB	1	C		44			*O0	[DA] , With [CGK], Right
	1AK44DK5AB	1	C		44			*O0	[KA] , With [CGK], Right
	1AK45BD5AB	1	C		44			*O0	[DA] , With [CGK], Left
	1AK45DK5AB	1	C		44			*O0	[KA] , With [CGK], Left
	1AK46BD5AB	1	Z		44			*O0	[DA], Right
	1AK46DK5AB	1	Z		44			*O0	[KA], Right
	1AK47BD5AB	1	Z		44			*O0	[DA], Left
	1AK47DK5AB	1	Z		44			*O0	[KA], Left
	0ZF31BD5AC	1			44			*O0	[DA] , Without [CGK], Left
4	04645780	2			44				KNOB, Seat Belt Adjuster
5	06506238AA	2			44				SCREW, Pan Head
6	06036180AA	2			44				SCREW, Pan Head
7	06032723	2							SCREW, Self Tapping, M4.2x1.69x19.05
8	04645944AD	2			44				STRIKER, Restraint Interlock
9	06501714	2			44				SCREW AND WASHER, Hex Head, M6x1x18
10	06036173AA	2			44				SCREW, Pan Head
11	04645945AA	2							COVER, B Pillar Trim Panel, Sight Shield
12									SEAT BELT, Front Inner
	0ZF361D5AC	1	C		44			*P7	[DA], Right
		1	C		44			*CL	[DA], Right



PT CRUISER (PT)

SERIES LINE
H = HIGHLINE C = CHRYSLER
P = PREMIUM Z = CHRYSLER (RHD)
S = SPORT
X = SPECIAL

BODY
27 = 2-DR CONVERTIBLE
44 = HATCHBACK/QUAD
CAB CHASSIS LWB

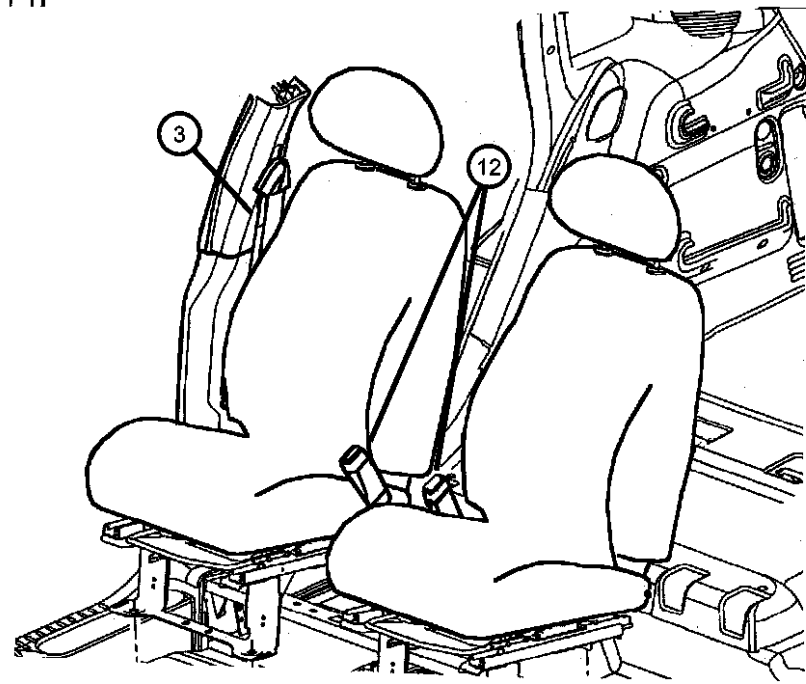
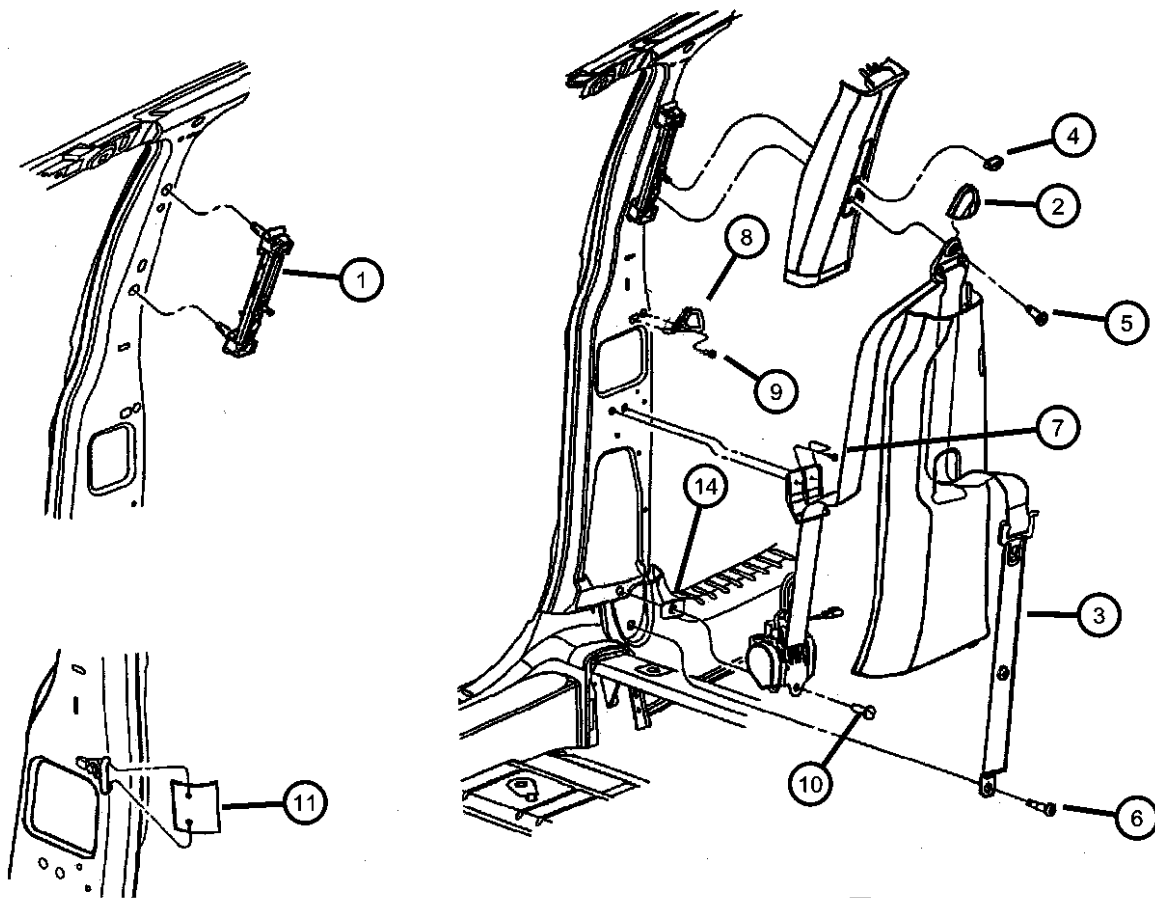
ENGINE TRANSMISSION
EDJ = 2.2L 4 Cyl Turbo Diesel Engine DGL = 4-Speed Automatic Transmission
EDT = 2.4L 4 Cyl DOHC 16V Turbo Engine DD5 = 5-Speed Manual Transmission
EDV = 2.4L 4 Cyl DOHC 16V HO Turbo Engine DDD = 5-Speed HD Manual Transmission
EDZ = 2.4L 4 Cyl DOHC 16V SMPI Engine
EJD = 1.6L 4 Cyl SOHC 16V SMPI

AR = use ase required - = Non illustrated part

2006 PT

Seat Belt - Front 44 Body
Figure IPT-705

ITEM	PART NUMBER	QTY	LINE	SERIES	BODY	ENGINE	TRANS	TRIM	DESCRIPTION
		1	C		44			*TL	[DA], Right
	0ZF361K5AC	1	C		44			*P7	[KA], Right
		1	C		44			*CL	[KA], Right
		1	C		44			*TL	[KA], Right
	0ZF411D5AC	2	Z		44			*P7	[DA], Left
		1	C		44			*P7	[DA], Left
		2	C		44			*CL	[DA], Left
		1	C		44			*TL	[DA], Left
		2	Z		44			*TL	[DA], Left
	0ZF411K5AC	1	C		44			*P7	[KA], Left
		2	Z		44			*P7	[KA], Left
		1	C		44			*CL	[KA], Left
		1	C		44			*TL	[KA], Left
		2	Z		44			*TL	[KA], Left
-13									EXTENDER, Seat Belt
	05179969AA	1	Z		44			*P7	
		1	C		44			*P7	
		1	C		44			*CL	
		1	C		44			*TL	
		1	Z		44			*TL	
14	06033150	2			44				NUT PLATE, .25-20



PT CRUISER (PT)

SERIES LINE
H = HIGHLINE C = CHRYSLER
P = PREMIUM Z = CHRYSLER (RHD)
S = SPORT
X = SPECIAL

BODY
27 = 2-DR CONVERTIBLE
44 = HATCHBACK/QUAD
CAB CHASSIS LWB

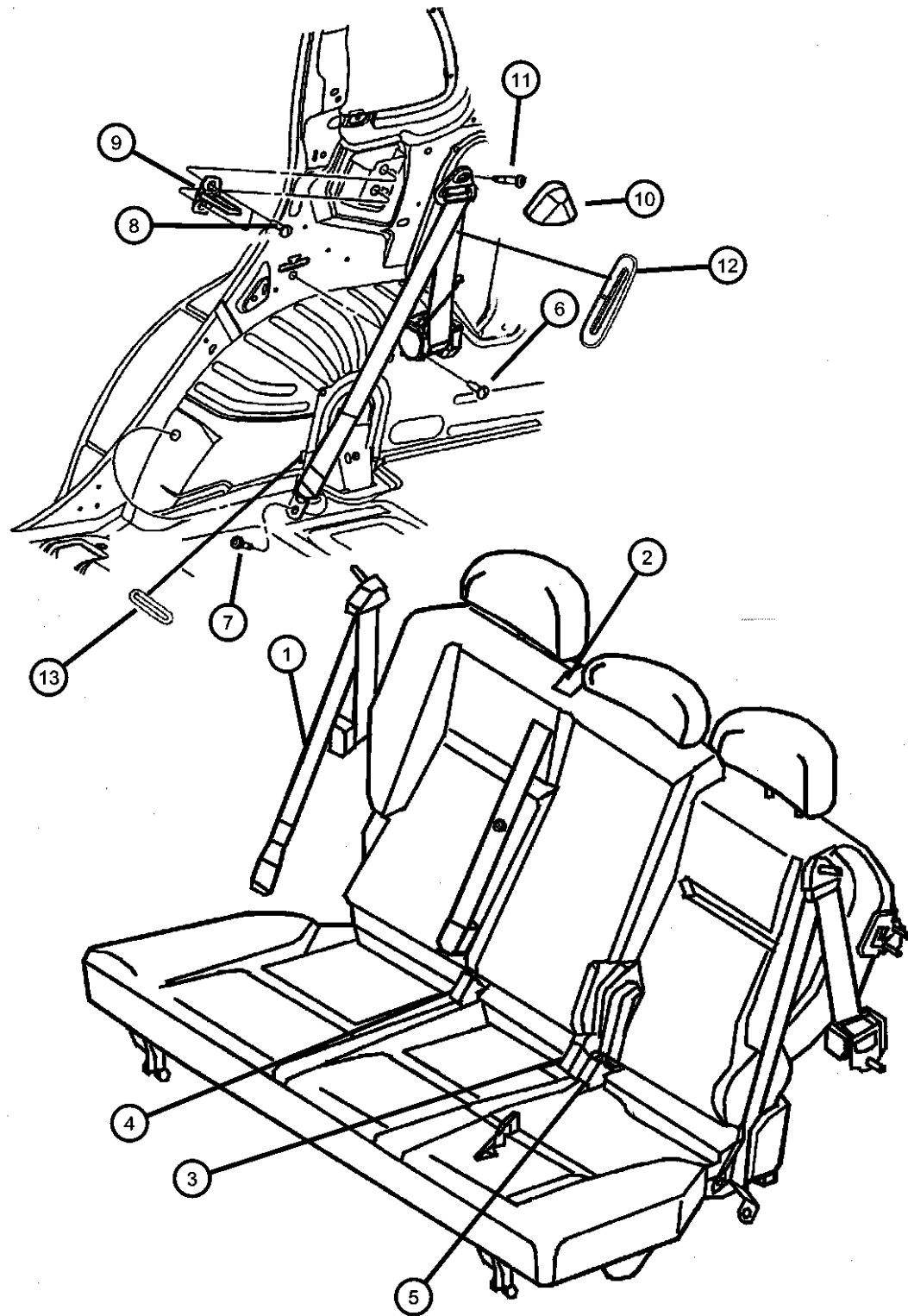
ENGINE
EDJ = 2.2L 4 Cyl Turbo Diesel Engine
EDT = 2.4L 4 Cyl DOHC 16V Turbo Engine
EDV = 2.4L 4 Cyl DOHC 16V HO Turbo Engine
EDZ = 2.4L 4 Cyl DOHC 16V SMPI Engine
EJD = 1.6L 4 Cyl SOHC 16V SMPI

TRANSMISSION
DGL = 4-Speed Automatic Transmission
DD5 = 5-Speed Manual Transmission
DDD = 5-Speed HD Manual Transmission

AR = use ase required - = Non illustrated part

2006 PT

Seat Belts - Rear 44 Body
Figure IPT-710



ITEM	PART NUMBER	QTY	LINE	SERIES	BODY	ENGINE	TRANS	TRIM	DESCRIPTION
Sales Code [CGW] = E - Marked Seat Belts									
1									SEAT BELT, Rear
	0ZF32DK5AB	1	C		44			*O0	[KA] , Without [CGK], Right
	0ZF32BD5AC	1	C		44			*O0	[DA] , Without [CGK], Right
	0ZF33BD5AC	1	C		44			*O0	[DA] , Without [CGK], Left
	0ZF33DK5AC	1	C		44			*O0	[KA] , Without [CGK], Left
	1AK48BD5AB	1			44			*O0	[DA] , With [CGK], Right
	1AK48DK5AB	1			44			*O0	[KA] , With [CGK], Right
	1AK49BD5AB	1			44			*O0	[DA] , With [CGK], Left
	1AK49DK5AB	1			44			*O0	[KA] , With [CGK], Left
2									SEAT BELT, Rear
	0ZF34DK5AB	1	C		44			*TL	[KA] , With [XCA]
		1	C		44			*E7	[KA] , With [XCA]
		1	C		44			*CL	[KA] , With [XCA]
	0ZF34BD5AB	1	C		44			*TL	[DA] , With [XCA]
		1	C		44			*E7	[DA] , With [XCA]
		1	C		44			*CL	[DA] , With [XCA]
		1	C		44			*P7	[DA] , With [XCA]
		1	C		44			*P7	[KA] , With [XCA]
	1AK41BD5AB	1	Z		44			*P7	[DA]
		1	C		44			*P7	[DA]
		1	C		44			*CL	[DA]
		1	C		44			*TL	[DA]
		1	Z		44			*TL	[DA]
	1AK41DK5AB	1	C		44			*TL	[KA]
		1	Z		44			*TL	[KA]
		1	C		44			*P7	[KA]
		1	Z		44			*P7	[KA]
		1	C		44			*CL	[KA]

3 SEAT BELT, Buckle Half w/Latch 60%

PT CRUISER (PT)

SERIES LINE
H = HIGHLINE C = CHRYSLER
P = PREMIUM Z = CHRYSLER (RHD)
S = SPORT
X = SPECIAL

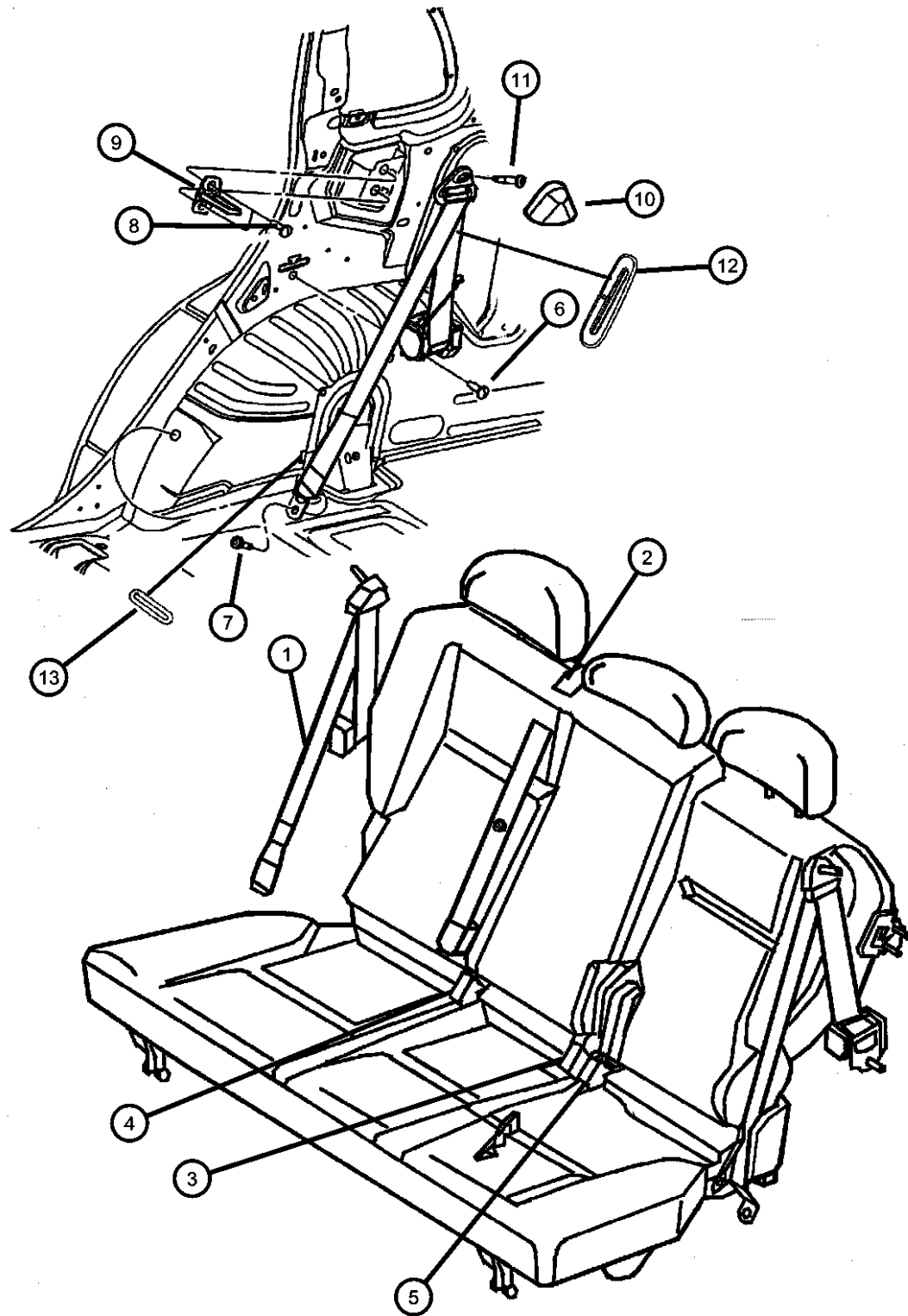
BODY
27 = 2-DR CONVERTIBLE
44 = HATCHBACK/QUAD
CAB CHASSIS LWB

ENGINE TRANSMISSION
EDJ = 2.2L 4 Cyl Turbo Diesel Engine
EDT = 2.4L 4 Cyl DOHC 16V Turbo Engine
EDV = 2.4L 4 Cyl DOHC 16V HO Turbo Engine
EDZ = 2.4L 4 Cyl DOHC 16V SMPI Engine
EJD = 1.6L 4 Cyl SOHC 16V SMPI
DGL = 4-Speed Automatic Transmission
DD5 = 5-Speed Manual Transmission
DDD = 5-Speed HD Manual Transmission

AR = use ase required - = Non illustrated part

2006 PT

Seat Belts - Rear 44 Body
Figure IPT-710



ITEM	PART NUMBER	QTY	LINE	SERIES	BODY	ENGINE	TRANS	TRIM	DESCRIPTION
	1DN991D5AA	1	C		44			*E7 [DA]	
		1	C		44			*P7 [DA]	
		1	C		44			*CL [DA]	
		1	Z		44			*P7 [DA]	
	1DN991K2AA	1	Z		44			*P7 [KA]	
		1	C		44			*E7 [KA]	
		1	C		44			*CL [KA]	
		1	C		44			*P7 [KA]	
4									SEAT BELT, Buckle Half w/Latch 60% Center
	1DW301D5AA	1	Z		44			*P7 [DA]	
		1	C		44			*P7 [DA]	
		1	C		44			*CL [DA]	
		1	C		44			*E7 [DA]	
	1DW301K2AA	1	C		44			*E7 [KA]	
		1	Z		44			*P7 [KA]	
		1	C		44			*P7 [KA]	
		1	C		44			*CL [KA]	
5									SEAT BELT, Buckle Half w/Latch 40%
	1DP001D5AA	1	C		44			*P7 [DA]	
		1	C		44			*CL [DA]	
		1	C		44			*E7 [DA]	
		1	C		44			*TL [DA]	
	1DP001K2AA	1	C		44			*P7 [KA]	
		1	C		44			*CL [KA]	
		1	C		44			*E7 [KA]	
		1	C		44			*TL [KA]	
6	06506238AA	2			44				SCREW, Pan Head
7	06036173AA	2			44				SCREW, Pan Head
8	06503120	8			44				SCREW AND WASHER, Button Head Torx, Striker to Body Side Aperature

PT CRUISER (PT)

SERIES LINE
H = HIGHLINE C = CHRYSLER
P = PREMIUM Z = CHRYSLER (RHD)
S = SPORT
X = SPECIAL

BODY
27 = 2-DR CONVERTIBLE
44 = HATCHBACK/QUAD
CAB CHASSIS LWB

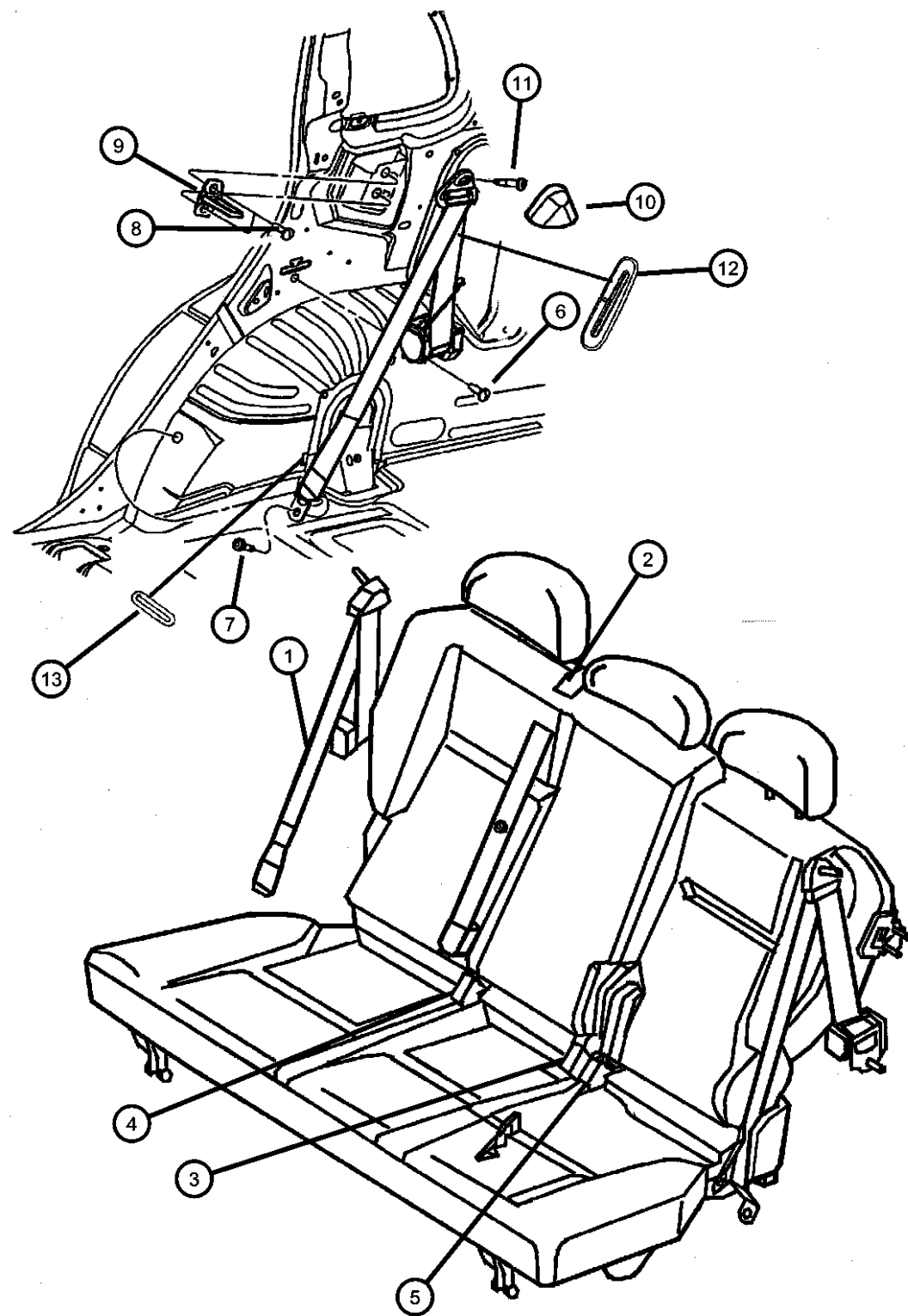
ENGINE
EDJ = 2.2L 4 Cyl Turbo Diesel Engine
EDT = 2.4L 4 Cyl DOHC 16V Turbo Engine
EDV = 2.4L 4 Cyl DOHC 16V HO Turbo Engine
EDZ = 2.4L 4 Cyl DOHC 16V SMPI Engine
EJD = 1.6L 4 Cyl SOHC 16V SMPI

TRANSMISSION
DGL = 4-Speed Automatic Transmission
DD5 = 5-Speed Manual Transmission
DDD = 5-Speed HD Manual Transmission

AR = use ase required - = Non illustrated part

2006 PT

Seat Belts - Rear 44 Body
Figure IPT-710



ITEM	PART NUMBER	QTY	LINE	SERIES	BODY	ENGINE	TRANS	TRIM	DESCRIPTION
9	04645956AC	2			44				STRIKER, Seat Latch
10	0WF64DW1AA	2			44			*00	COVER, Adjustable Turning Loop
11	06036180AA	2			44				SCREW, Pan Head
12	06036180AA	2							BEZEL, Seat Belt Quarter Trim, (NOT SERVICED)
13	06036180AA	2							BEZEL, Seat Belt Quarter Trim, (NOT SERVICED)

PT CRUISER (PT)

SERIES LINE
H = HIGHLINE C = CHRYSLER
P = PREMIUM Z = CHRYSLER (RHD)
S = SPORT
X = SPECIAL

BODY
27 = 2-DR CONVERTIBLE
44 = HATCHBACK/QUAD
CAB CHASSIS LWB

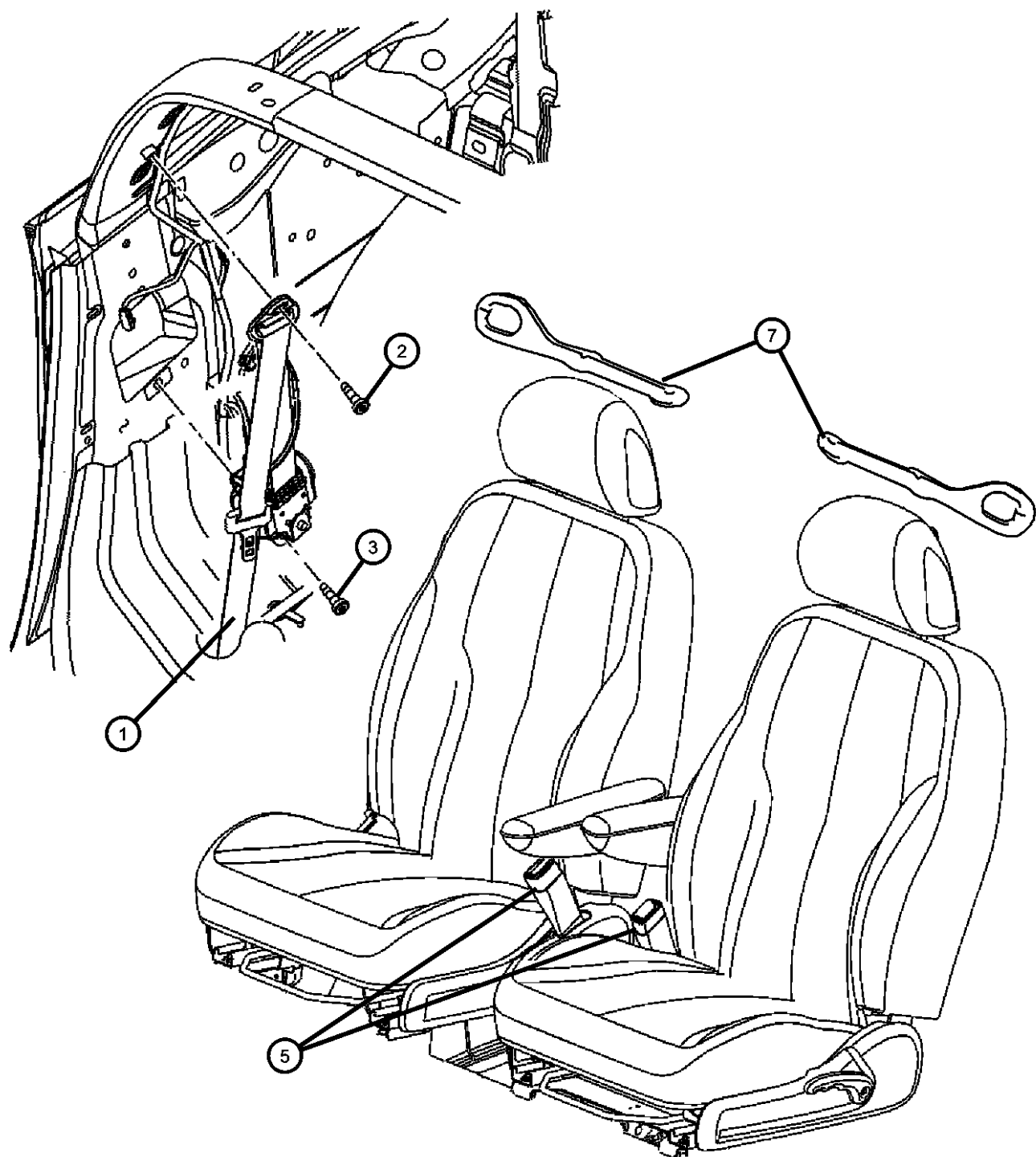
ENGINE
EDJ = 2.2L 4 Cyl Turbo Diesel Engine
EDT = 2.4L 4 Cyl DOHC 16V Turbo Engine
EDV = 2.4L 4 Cyl DOHC 16V HO Turbo Engine
EDZ = 2.4L 4 Cyl DOHC 16V SMPI Engine
EJD = 1.6L 4 Cyl SOHC 16V SMPI

TRANSMISSION
DGL = 4-Speed Automatic Transmission
DD5 = 5-Speed Manual Transmission
DDD = 5-Speed HD Manual Transmission

AR = use ase required - = Non illustrated part

2006 PT

Seat Belt - Front - 27 Body
Figure IPT-715



ITEM	PART NUMBER	QTY	LINE	SERIES	BODY	ENGINE	TRANS	TRIM	DESCRIPTION
1									SEAT BELT, Front Outer
	0ZF38DK5AB	1			27			*O0	[KA], Right
	0ZF39BD5AB	1			27			*O0	[DA], Left
	0ZF39DK5AB	1			27			*O0	[KA], Left
	1AK50BD5AB	1			27			*O0	[DA], With [CGK], Right
	1AK50DK5AB	1			27			*O0	[KA], With [CGK], Right
	1AK51BD5AB	1			27			*O0	[DA], With [CGK], Left
	0ZF38BD5AB	1			27			*O0	[DA], Right
	1AK51DK5AB	1			27			*O0	[KA], With [CGK], Left
2	06036180AA	2			27				SCREW, Pan Head
3	06036180AA	2			27				SCREW, Pan Head
-4	06036180AA	2			27				SCREW, Pan Head, Lower Attach
5									SEAT BELT, Front Inner
	0ZF361K5AB	1	C		27			*XL	[KA], Right
		1	C		27			*E7	[KA], Right
	0ZF361D5AB	1	C		27			*CL	[DA], Right
		1	C		27			*E7	[DA], Right
		1	C		27			*CL	[KA], Right
	0ZF361D5AC	1	C		27			*P7	[DA], Right
	0ZF361K5AC	1	C		27			*P7	[KA], Right
	0ZF411D5AB	1	C		27			*CL	[DA]
		1	Z		27			*CL	[DA], Left
	0ZF411K5AB	1	C		27			*CL	[KA], Left
		1	Z		27			*CL	[KA], Left
-6									EXTENDER, Seat Belt
	05179969AA	1	C		27			*CL	
		1	C		27			*P7	
		1	C		27			*XL	
7									GUIDE, Seat Belt
	1FC00BD5AA	1	C		27			*CL	[DA], Right
	1FC00DK2AA	1	C		27			*E7	[KA], Right
	1FC00DK5AA	1	C		27			*CL	[KA], Right

PT CRUISER (PT)

SERIES LINE
H = HIGHLINE C = CHRYSLER
P = PREMIUM Z = CHRYSLER (RHD)
S = SPORT
X = SPECIAL

BODY
27 = 2-DR CONVERTIBLE
44 = HATCHBACK/QUAD
CAB CHASSIS LWB

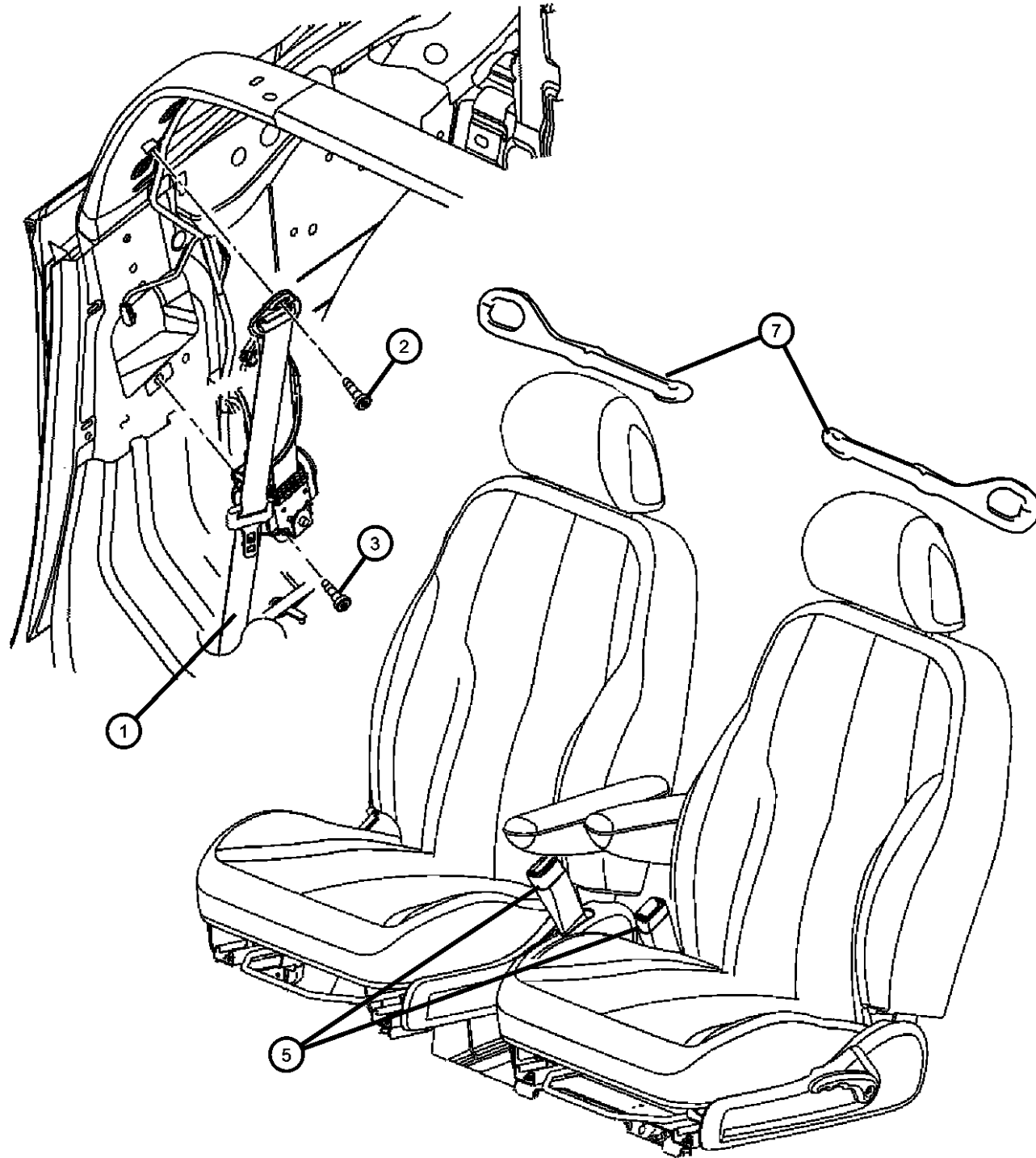
ENGINE TRANSMISSION
EDJ = 2.2L 4 Cyl Turbo Diesel Engine
EDT = 2.4L 4 Cyl DOHC 16V Turbo Engine
EDV = 2.4L 4 Cyl DOHC 16V HO Turbo Engine
EDZ = 2.4L 4 Cyl DOHC 16V SMPI Engine
EJD = 1.6L 4 Cyl SOHC 16V SMPI
DGL = 4-Speed Automatic Transmission
DD5 = 5-Speed Manual Transmission
DDD = 5-Speed HD Manual Transmission

AR = use ase required - = Non illustrated part

2006 PT

Seat Belt - Front - 27 Body
Figure IPT-715

ITEM	PART NUMBER	QTY	LINE	SERIES	BODY	ENGINE	TRANS	TRIM	DESCRIPTION
	1FH311D5AA	1	C		27			*E7	[DA], Left
		1	C		27			*CL	[DA], Left
	1FH311KAAA	1	C		27			*CL	[KA], Left
		1	Z		27			*CL	[KA], Left
		1	Z		27			*CL	[DA], Left
	1FH311K2AA	1	C		27			*E7	[KA], Left
		1	C		27			*XL	[KA], Left



PT CRUISER (PT)

SERIES LINE
H = HIGHLINE C = CHRYSLER
P = PREMIUM Z = CHRYSLER (RHD)
S = SPORT
X = SPECIAL

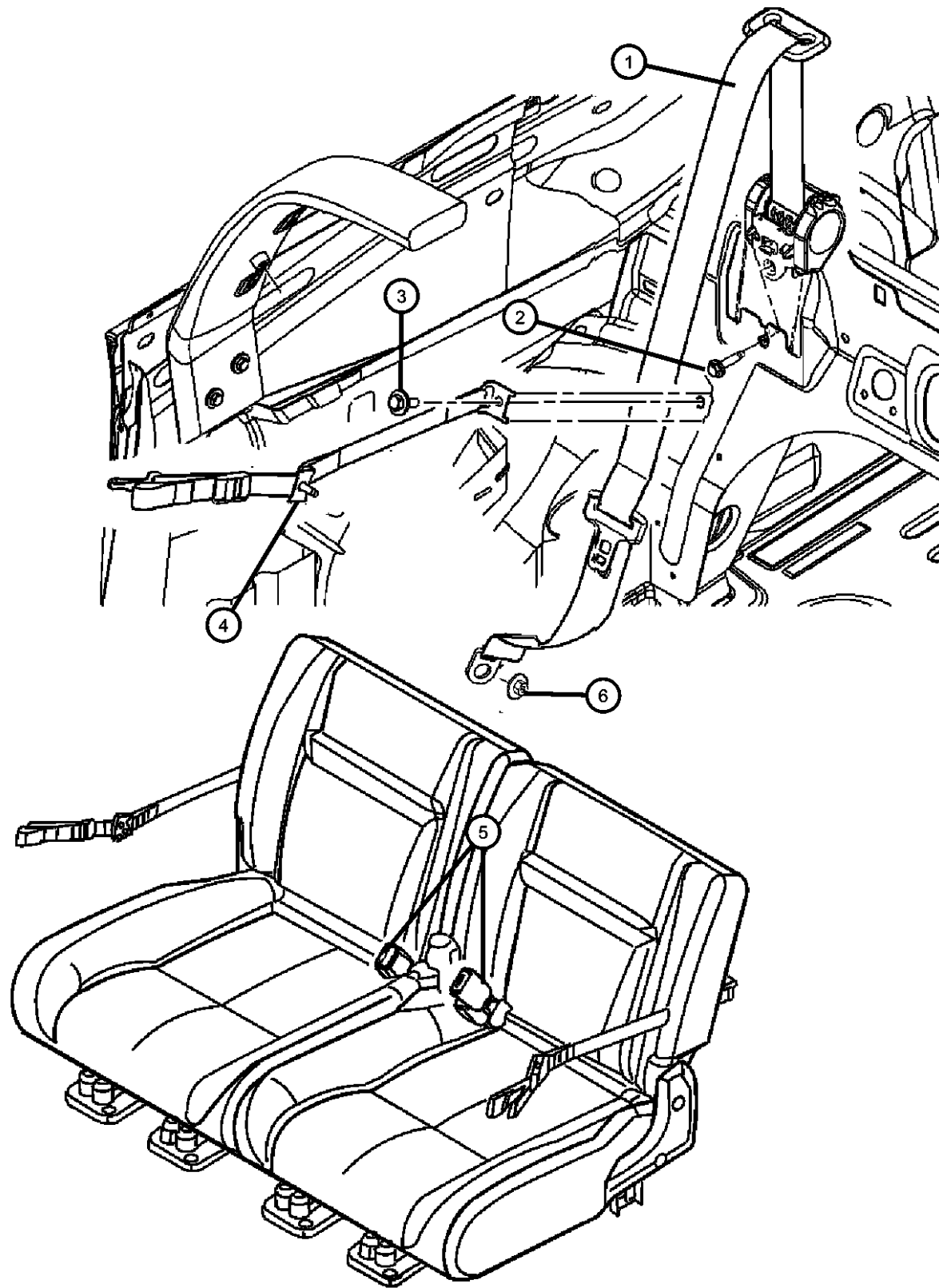
BODY
27 = 2-DR CONVERTIBLE
44 = HATCHBACK/QUAD
CAB CHASSIS LWB

ENGINE TRANSMISSION
EDJ = 2.2L 4 Cyl Turbo Diesel Engine DGL = 4-Speed Automatic Transmission
EDT = 2.4L 4 Cyl DOHC 16V Turbo Engine DD5 = 5-Speed Manual Transmission
EDV = 2.4L 4 Cyl DOHC 16V HO Turbo Engine DDD = 5-Speed HD Manual Transmission
EDZ = 2.4L 4 Cyl DOHC 16V SMPI Engine
EJD = 1.6L 4 Cyl SOHC 16V SMPI

AR = use ase required - = Non illustrated part

2006 PT

Seat Belt - Rear - 27 Body
Figure IPT-720



ITEM	PART NUMBER	QTY	LINE	SERIES	BODY	ENGINE	TRANS	TRIM	DESCRIPTION
1	0ZF40BD5AA	2	C		27			*O0	SEAT BELT, Rear [DA]
	0ZF40DK5AA	2	C		27			*O0	[KA]
2	06036180AA	2			27				SCREW, Pan Head
3	06101767	2			27				SCREW AND WASHER, M8x1.25x25
4	06101767	2							CHECK STRAP, Rear Door, Serviced With Seat, (NOT SERVICED)
5	0ZF421D5AA	2	C		27			*CL	SEAT BELT, Rear, Buckle [DA]
		2	C		27			*E7	[DA]
		1	Z		27			*CL	[DA]
	0ZF421K5AA	2	C		27			*CL	[KA]
		2	C		27			*XL	[KA]
		2	C		27			*E7	[KA]
	0ZF421KAAA	1	Z		27			*CL	[KA]
6	06036545AA	2			27				NUT, Round, .437-20
-7	05067470AA	2			27				STUD PLATE, Seat Belt Anchor Attach

PT CRUISER (PT)

SERIES LINE
H = HIGHLINE C = CHRYSLER
P = PREMIUM Z = CHRYSLER (RHD)
S = SPORT
X = SPECIAL

BODY
27 = 2-DR CONVERTIBLE
44 = HATCHBACK/QUAD
CAB CHASSIS LWB

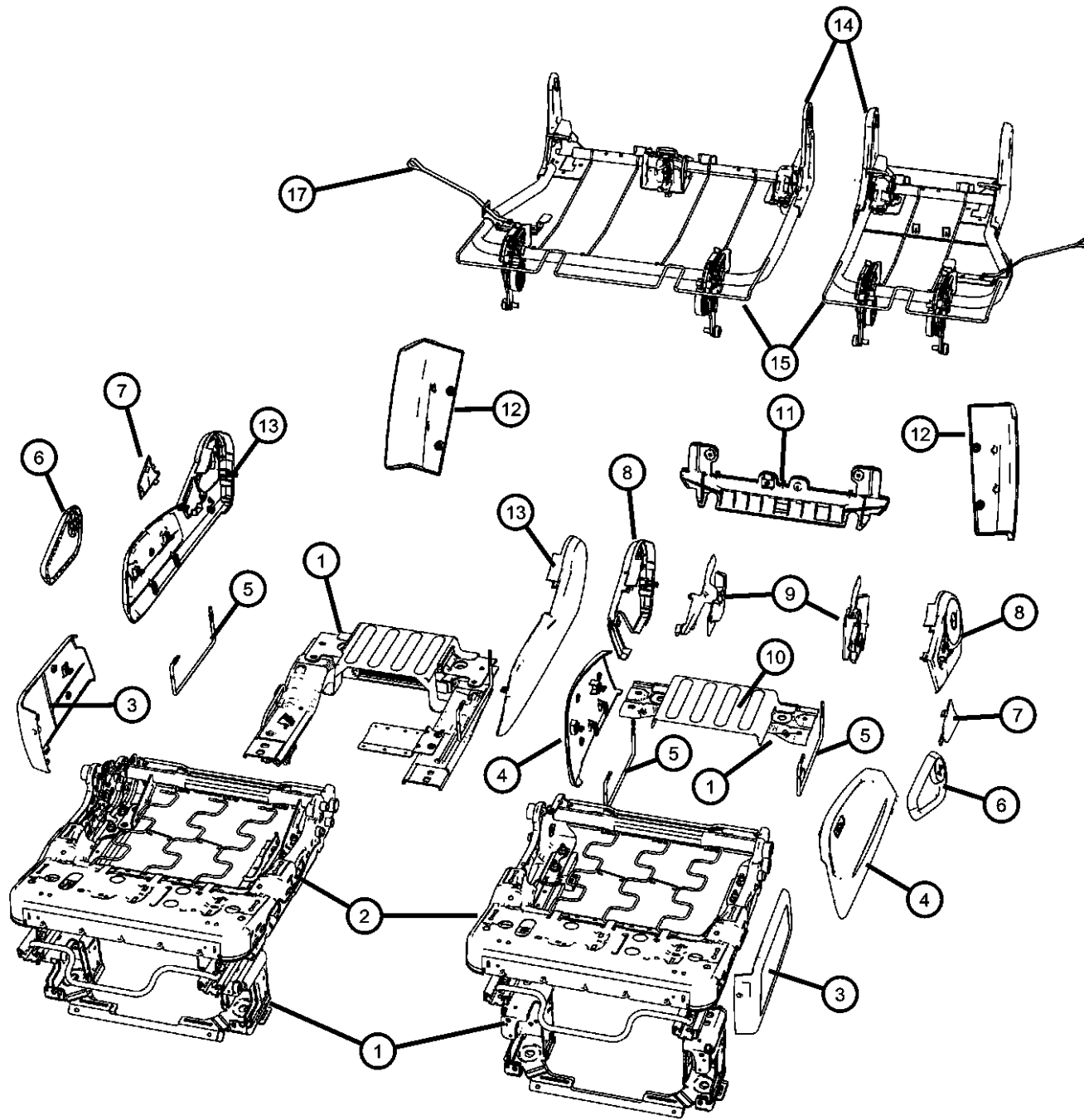
ENGINE
EDJ = 2.2L 4 Cyl Turbo Diesel Engine
EDT = 2.4L 4 Cyl DOHC 16V Turbo Engine
EDV = 2.4L 4 Cyl DOHC 16V HO Turbo Engine
EDZ = 2.4L 4 Cyl DOHC 16V SMPI Engine
EJD = 1.6L 4 Cyl SOHC 16V SMPI

TRANSMISSION
DGL = 4-Speed Automatic Transmission
DD5 = 5-Speed Manual Transmission
DDD = 5-Speed HD Manual Transmission

AR = use ase required - = Non illustrated part

2006 PT

Risers , Seat Frame and Shields
Figure IPT-808



ITEM	PART NUMBER	QTY	LINE	SERIES	BODY	ENGINE	TRANS	TRIM	DESCRIPTION
1									RISER, Seat
	05175997AA	1	C		27			*E7	Passenger, Rear
		1	C		44			*E7	Passenger, Rear
		1	C		44			*TL	Passenger, Rear
		1	C		27			*XL	Passenger, Rear
		1	C		44			*CL	Passenger, Rear
		1	C		27			*CL	Passenger, Rear
		1	C		27			*P7	Passenger, Rear
		1	C		44			*P7	Passenger, Rear
	05175998AA	1	C		27			*E7	Passenger, Rear, Lower
		1	C		44			*E7	Passenger, Rear, Lower
		1	C		44			*CL	Passenger, Rear, Lower
		1	C		27			*CL	Passenger, Rear, Lower
		1	C		27			*XL	Passenger, Rear, Lower
		1	C		44			*TL	Passenger, Rear, Lower
	05175999AA	1	C		44			*P7	Driver, Rear
		1	Z		44			*P7	Driver, Rear
		1	C		27			*P7	Driver, Rear
		1	C		27			*XL	Driver, Rear
		1	C		44			*CL	Driver, Rear
		1	C		27			*CL	Driver, Rear
		1	Z		27			*CL	Driver, Rear
	05179000AA	1	C		44			*E7	Driver, Rear
		1	C		27			*E7	Passenger
		1	C		27			*XL	Passenger
		1	C		44			*CL	Passenger
		1	C		27			*CL	Passenger
		1	C		44			*TL	Passenger
		1	C		44			*P7	Passenger
		1	C		44			*E7	Passenger
	05179001AA	1	C		27			*E7	Driver
		1	C		44			*CL	Driver

PT CRUISER (PT)

SERIES LINE
H = HIGHLINE C = CHRYSLER
P = PREMIUM Z = CHRYSLER (RHD)
S = SPORT
X = SPECIAL

BODY
27 = 2-DR CONVERTIBLE
44 = HATCHBACK/QUAD
CAB CHASSIS LWB

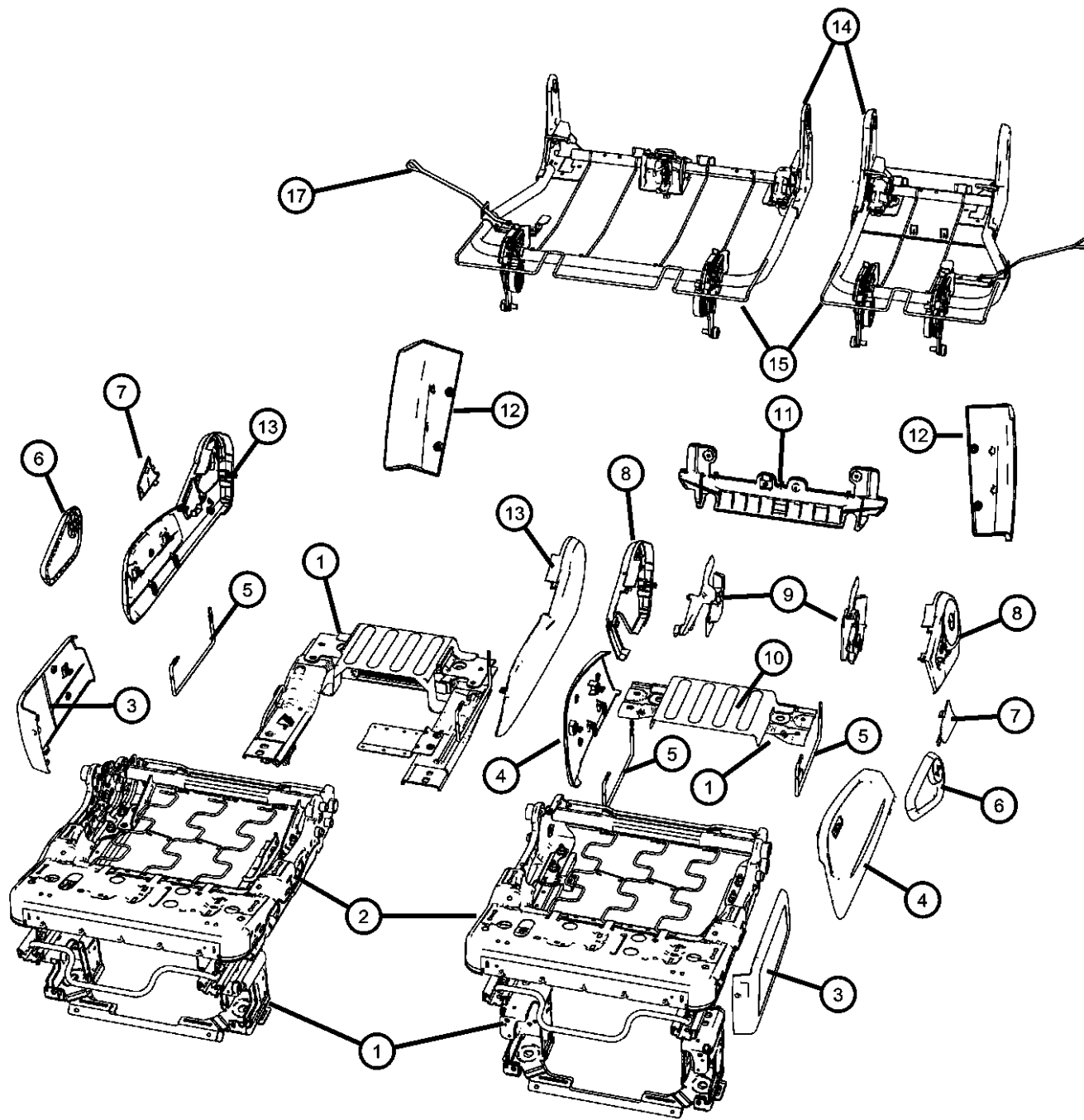
ENGINE
EDJ = 2.2L 4 Cyl Turbo Diesel Engine
EDT = 2.4L 4 Cyl DOHC 16V Turbo Engine
EDV = 2.4L 4 Cyl DOHC 16V HO Turbo Engine
EDZ = 2.4L 4 Cyl DOHC 16V SMPI Engine
EJD = 1.6L 4 Cyl SOHC 16V SMPI

TRANSMISSION
DGL = 4-Speed Automatic Transmission
DD5 = 5-Speed Manual Transmission
DDD = 5-Speed HD Manual Transmission

AR = use ase required - = Non illustrated part

2006 PT

Risers , Seat Frame and Shields
Figure IPT-808



ITEM	PART NUMBER	QTY	LINE	SERIES	BODY	ENGINE	TRANS	TRIM	DESCRIPTION
		1	C		27			*CL	Driver
		1	C		44			*TL	Driver
		1	Z		44			*TL	Driver
		1	C		44			*P7	Driver
		1	C		27			*XL	Driver
		1	Z		27			*CL	Driver
		1	C		44			*E7	Driver
2									FRAME, Seat cushion, Includes Adjuster
	05175652AA	1	C		44			*P7	Passenger
		1	C		44			*CL	Passenger
		1	C		44			*TL	Passenger
		1	C		44			*E7	Passenger
	05175653AA	1	C		27			*E7	Without [JPS], Driver
		1	C		44			*P7	With [JP8], Driver
	05175679AA	1	C		27			*E7	With [JPS], Driver
		1	C		27			*CL	With [JPS], Driver
		1	C		44			*TL	With [JPS], Driver
		1	C		44			*CL	With [JPS], Driver
		1	C		44			*E7	With [JPS], Driver
		1	C		44			*P7	With [JPS], Driver
		1	C		27			*XL	With [JPS], Driver
		1	C		27			*P7	With [JPS], Driver
	05175717AA	1	Z		44			*TL	With [JPS], Driver
		1	Z		27			*CL	With [JPS], Driver
	05175718AA	1	Z		44			*TL	Passenger
		1	C		44			*CL	Export, Passenger
	05175826AA	1	C		27			*XL	Passenger
3									SHIELD, RISER
	1CW031D5AA	1	C		27			*P7	[DA], Left
		1	C		27			*CL	[DA], Left

PT CRUISER (PT)

SERIES LINE
H = HIGHLINE C = CHRYSLER
P = PREMIUM Z = CHRYSLER (RHD)
S = SPORT
X = SPECIAL

BODY
27 = 2-DR CONVERTIBLE
44 = HATCHBACK/QUAD
CAB CHASSIS LWB

ENGINE
EDJ = 2.2L 4 Cyl Turbo Diesel Engine
EDT = 2.4L 4 Cyl DOHC 16V Turbo Engine
EDV = 2.4L 4 Cyl DOHC 16V HO Turbo Engine
EDZ = 2.4L 4 Cyl DOHC 16V SMPI Engine
EJD = 1.6L 4 Cyl SOHC 16V SMPI

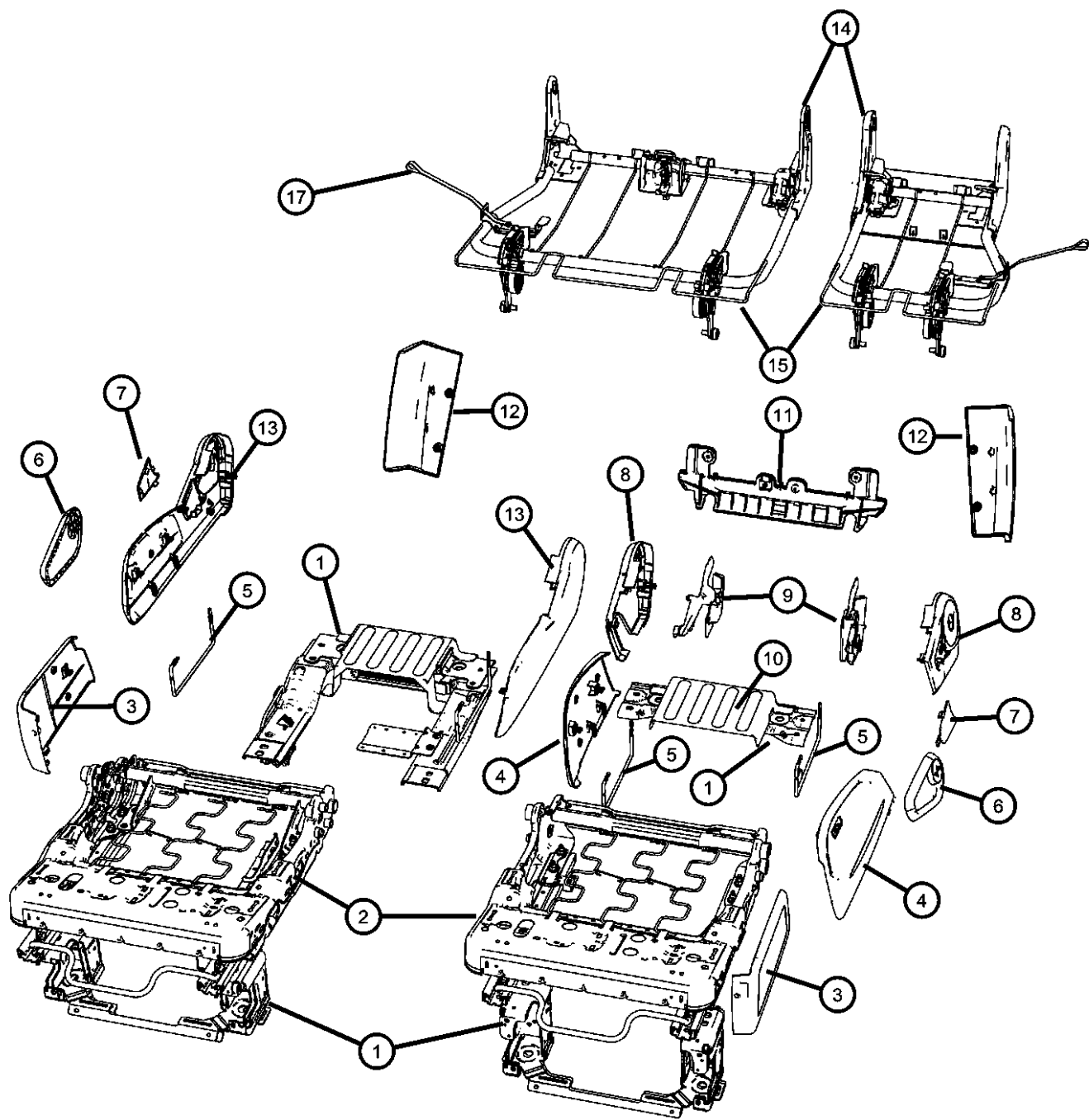
TRANSMISSION
DGL = 4-Speed Automatic Transmission
DD5 = 5-Speed Manual Transmission
DDD = 5-Speed HD Manual Transmission

AR = use ase required - = Non illustrated part

2006 PT

Risers , Seat Frame and Shields
Figure IPT-808

ITEM	PART NUMBER	QTY	LINE	SERIES	BODY	ENGINE	TRANS	TRIM	DESCRIPTION
		1	Z		44			*P7	[DA], Left
		1	C		44			*CL	[DA], Left
		1	C		44			*P7	[DA], Left
		1	Z		44			*TL	[DA], Left
		1	C		44			*TL	[DA], Left
		1	Z		27			*CL	[DA], Left
		1	C		44			*E7	[DA], Left
	1CW031K2AA	1	C		27			*P7	[KA], Left
		1	C		44			*E7	[KA], Left
		1	Z		44			*P7	[KA], Left
		1	C		44			*P7	[KA], Left
		1	C		27			*XL	[KA], Left
		1	C		44			*TL	[KA], Left
		1	Z		44			*TL	[KA], Left
	1CW031KAAA	1	Z		27			*CL	[KA], Left
		1	C		44			*CL	[KA], Left
		1	C		27			*CL	[KA], Left
	1CW061D5AA	1	Z		44			*TL	[DA], Right
		1	C		44			*TL	[DA], Right
		1	C		27			*P7	[DA], Right
		1	C		44			*CL	[DA], Right
		1	C		44			*P7	[DA], Right
		1	Z		44			*P7	[DA], Right
		1	C		27			*CL	[DA], Right
		1	Z		27			*CL	[DA], Right
	1CW061K2AA	1	C		44			*E7	[DA], Right
		1	C		44			*P7	[KA], Right
		1	Z		44			*P7	[KA], Right
		1	C		27			*P7	[KA], Right
		1	C		44			*E7	[KA], Right
		1	C		27			*XL	[KA], Right



PT CRUISER (PT)
 SERIES LINE
 H = HIGHLINE C = CHRYSLER
 P = PREMIUM Z = CHRYSLER (RHD)
 S = SPORT
 X = SPECIAL

BODY
 27 = 2-DR CONVERTIBLE
 44 = HATCHBACK/QUAD
 CAB CHASSIS LWB

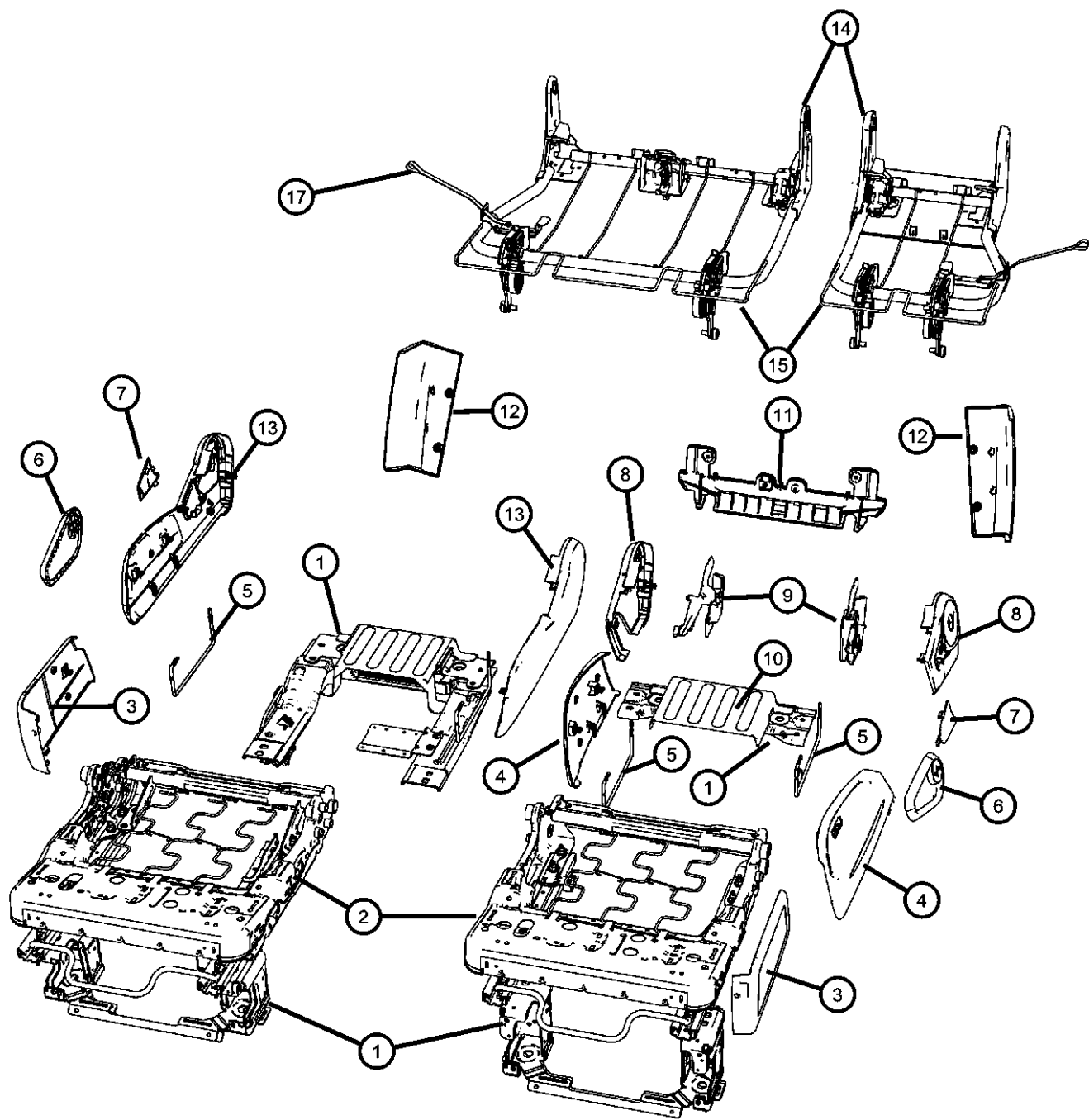
ENGINE
 EDJ = 2.2L 4 Cyl Turbo Diesel Engine
 EDT = 2.4L 4 Cyl DOHC 16V Turbo Engine
 EDV = 2.4L 4 Cyl DOHC 16V HO Turbo Engine
 EDZ = 2.4L 4 Cyl DOHC 16V SMPI Engine
 EJD = 1.6L 4 Cyl SOHC 16V SMPI

TRANSMISSION
 DGL = 4-Speed Automatic Transmission
 DD5 = 5-Speed Manual Transmission
 DDD = 5-Speed HD Manual Transmission

AR = use ase required - = Non illustrated part

Risers , Seat Frame and Shields
Figure IPT-808

ITEM	PART NUMBER	QTY	LINE	SERIES	BODY	ENGINE	TRANS	TRIM	DESCRIPTION
		1	C		44			*TL	[KA], Right
		1	Z		44			*TL	[KA], Right
	1CW061KAAA	1	C		44			*CL	[KA], Right
		1	C		27			*CL	[KA], Right
		1	Z		27			*CL	[KA], Right
4									SHIELD, Seat
	1CW331D5AA	1	C		27			*E7	[DA], Driver, Front, Outboard
		1	C		27			*CL	[DA], Driver, Front, Outboard
		1	C		44			*P7	[DA], Driver, Front, Outboard
		1	C		44			*CL	[DA], Driver, Front, Outboard
		1	C		44			*TL	[DA], Driver, Front, Outboard
		1	C		27			*P7	[DA], Driver, Front, Outboard
		1	C		44			*E7	[DA], Driver, Front, Outboard
	1CW331K2AA	1	C		27			*E7	[KA], Driver, Front, Outboard
		1	C		44			*P7	[KA], Driver, Front, Outboard
		1	C		44			*TL	[KA], Driver, Front, Outboard
		1	C		27			*P7	[KA], Driver, Front, Outboard
		1	C		27			*XL	[KA], Driver, Front, Outboard
		1	C		44			*E7	[KA], Driver, Front, Outboard
	1CW331KAAA	1	C		44			*CL	[KA], Driver, Front, Outboard
		1	C		27			*CL	[KA], Driver, Front, Outboard
	1CW501D5AA	1	C		44			*TL	[DA], Driver, Front, Inboard
		1	C		27			*CL	[DA], Driver, Front, Inboard
	1CW501K2AA	1	C		44			*TL	[KA], Driver, Front, Inboard
		1	C		27			*XL	[KA], Driver, Front, Inboard
	1CW501KAAA	1	C		44			*CL	[KA], Driver, Front, Inboard
		1	C		27			*CL	[KA], Driver, Front, Inboard
	1CW681D5AA	1	Z		44			*P7	[DA] , RHD, Driver, Front, Outboard
		1	Z		44			*TL	[DA] , RHD, Driver, Front, Outboard
		1	Z		27			*CL	[DA] , RHD, Driver, Front, Outboard



PT CRUISER (PT)

SERIES LINE
H = HIGHLINE C = CHRYSLER
P = PREMIUM Z = CHRYSLER (RHD)
S = SPORT
X = SPECIAL

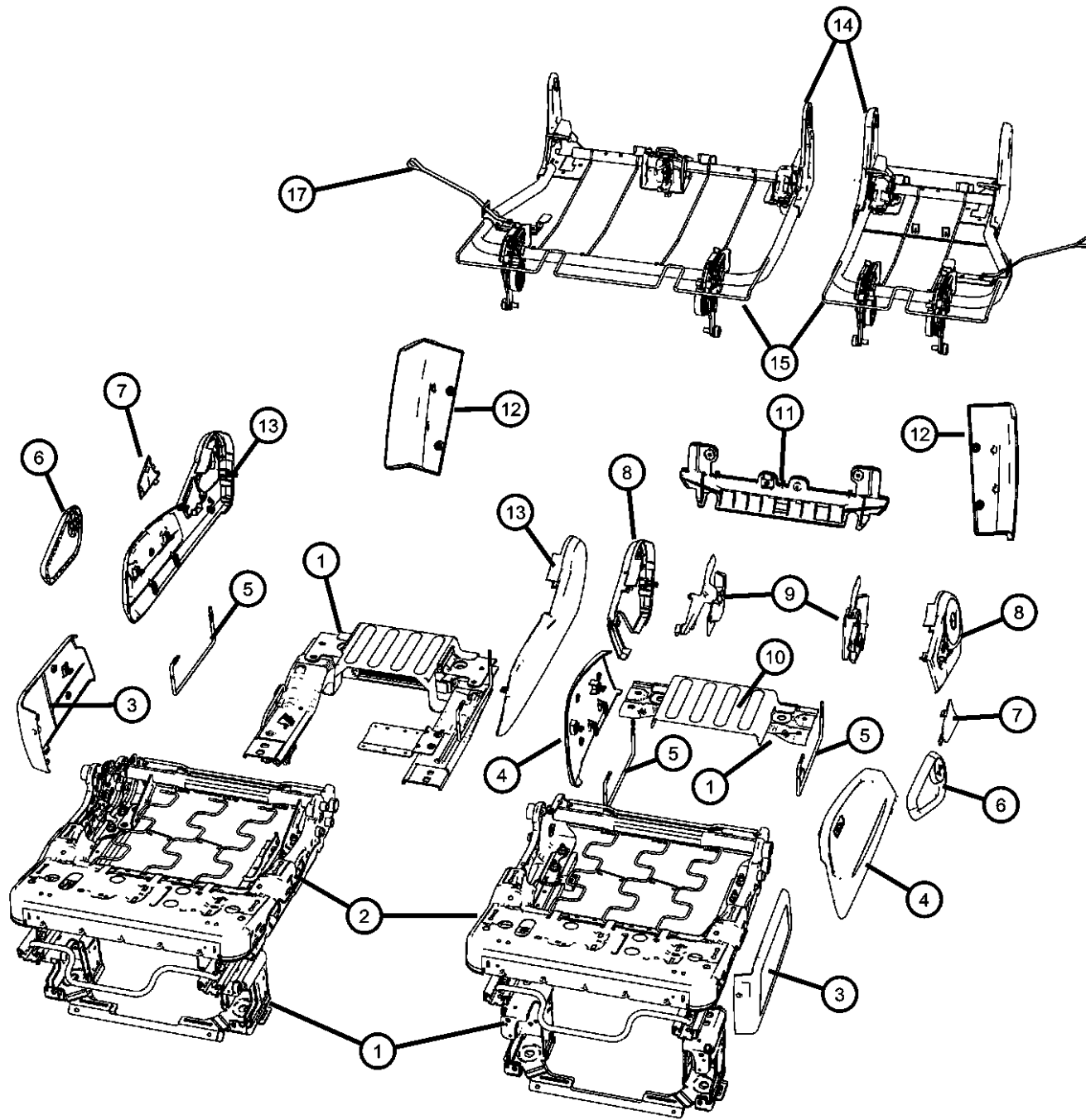
BODY
27 = 2-DR CONVERTIBLE
44 = HATCHBACK/QUAD
CAB CHASSIS LWB

ENGINE TRANSMISSION
EDJ = 2.2L 4 Cyl Turbo Diesel Engine
EDT = 2.4L 4 Cyl DOHC 16V Turbo Engine
EDV = 2.4L 4 Cyl DOHC 16V HO Turbo Engine
EDZ = 2.4L 4 Cyl DOHC 16V SMPI Engine
EJD = 1.6L 4 Cyl SOHC 16V SMPI
DGL = 4-Speed Automatic Transmission
DD5 = 5-Speed Manual Transmission
DDD = 5-Speed HD Manual Transmission

AR = use ase required - = Non illustrated part

2006 PT

Risers , Seat Frame and Shields
Figure IPT-808



ITEM	PART NUMBER	QTY	LINE	SERIES	BODY	ENGINE	TRANS	TRIM	DESCRIPTION
	1FW031D5AA	1	Z		27			*CL	[DA], Driver, Front, Outboard
		1	Z		44			*TL	[DA], Driver, Front, Outboard
		1	Z		44			*P7	[DA], Driver, Front, Outboard
	1FW031K2AA	1	Z		44			*P7	[KA], Driver, Front, Outboard
		1	Z		44			*TL	[KA], Driver, Front, Outboard
	1FW031KAAA	1	Z		27			*CL	[KA], Driver, Front, Outboard
5	05175681AA	1	C		27			*CL	WIRE, Seat
6									HANDLE, Recliner
	1BN28BD5AA	1	C		44			*P7	[DA], Right
		1	C		27			*CL	[DA], Right
		1	C		44			*CL	[DA], Right
		1	Z		44			*P7	[DA], Right
		1	Z		44			*TL	[DA], Right
		1	C		44			*TL	[DA], Right
	1BN28DK2AA	1	C		44			*P7	[KA], Right
		1	C		27			*XL	[KA], Right
		1	Z		44			*P7	[KA], Right
		1	Z		44			*TL	[KA], Right
		1	C		44			*TL	[KA], Right
	1BN28DKAAA	1	Z		27			*CL	[KA], Right
		1	C		27			*CL	[KA], Right
		1	C		44			*CL	[KA], Right
	1BN29BD5AA	1	Z		44			*P7	[DA], Left
		1	Z		27			*CL	[DA], Left
		1	C		27			*CL	[DA], Left
		1	C		44			*CL	[DA], Left
		1	C		44			*P7	[DA], Left
		1	Z		44			*TL	[DA], Left
		1	C		44			*TL	[DA], Left
	1BN29DK2AA	1	C		44			*P7	[KA], Left
		1	C		27			*XL	[KA], Left

PT CRUISER (PT)

SERIES LINE
H = HIGHLINE C = CHRYSLER
P = PREMIUM Z = CHRYSLER (RHD)
S = SPORT
X = SPECIAL

BODY
27 = 2-DR CONVERTIBLE
44 = HATCHBACK/QUAD
CAB CHASSIS LWB

ENGINE
EDJ = 2.2L 4 Cyl Turbo Diesel Engine
EDT = 2.4L 4 Cyl DOHC 16V Turbo Engine
EDV = 2.4L 4 Cyl DOHC 16V HO Turbo Engine
EDZ = 2.4L 4 Cyl DOHC 16V SMPI Engine
EJD = 1.6L 4 Cyl SOHC 16V SMPI

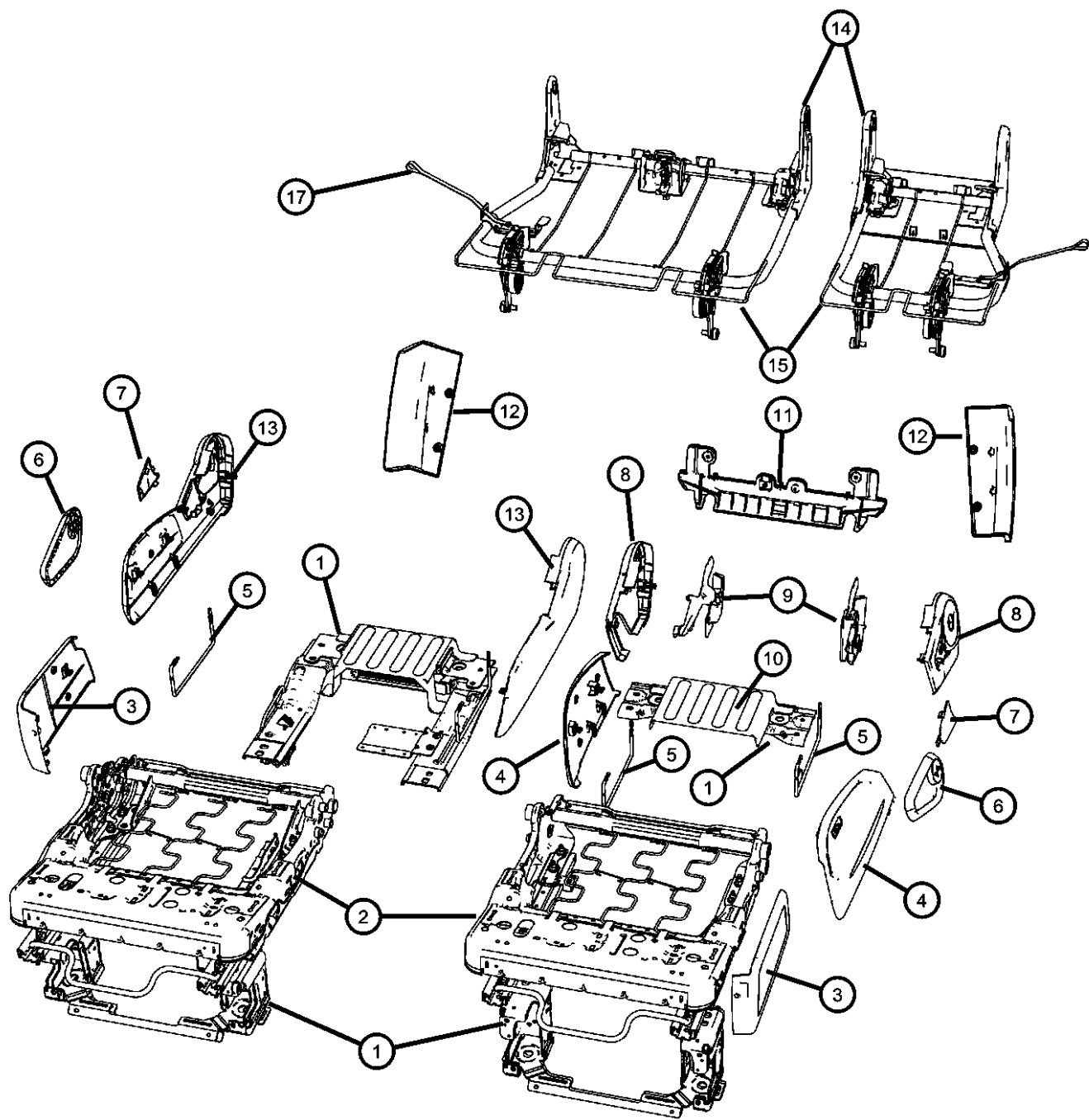
TRANSMISSION
DGL = 4-Speed Automatic Transmission
DD5 = 5-Speed Manual Transmission
DDD = 5-Speed HD Manual Transmission

AR = use ase required - = Non illustrated part

2006 PT

Risers , Seat Frame and Shields
Figure IPT-808

ITEM	PART NUMBER	QTY	LINE	SERIES	BODY	ENGINE	TRANS	TRIM	DESCRIPTION
		1	Z		44			*P7	[KA], Left
		1	C		44			*TL	[KA], Left
		1	Z		44			*TL	[KA], Left
	1BN29DKAAA	1	Z		27			*CL	[KA], Left
		1	C		27			*CL	[KA], Left
		1	C		44			*CL	[KA], Left
7									SHIELD, Seat Belt Anchor
	1AX10BD5AA	1	C		27			*CL	[DA], Right
		1	C		44			*E7	[DA], Right
		1	C		27			*P7	[DA], Right
	1AX10DK2AA	1	C		27			*XL	[KA], Right
		1	C		44			*E7	[KA], Right
		1	Z		44			*TL	[KA], Right
		1	C		44			*TL	[KA], Right
	1AX10DKAAA	1	C		27			*P7	[KA], Right
		1	C		27			*CL	[KA], Right
	1AX11BD5AA	1	C		44			*CL	[KA], Right
		1	Z		44			*TL	[DA], Left
		1	C		44			*TL	[DA], Left
		1	C		44			*E7	[DA], Left
		1	Z		27			*CL	[DA], Left
		1	C		27			*CL	[DA], Left
	1AX11DK2AA	1	C		27			*XL	[KA], Left
		1	C		27			*P7	[KA], Left
		1	C		44			*P7	[KA], Left
		1	C		44			*E7	[KA], Left
		1	C		44			*TL	[KA], Left
		1	Z		44			*TL	[KA], Left
	1AX11DKAAA	1	C		27			*CL	[KA], Left
		1	C		44			*CL	[KA], Left



PT CRUISER (PT)

SERIES LINE
H = HIGHLINE C = CHRYSLER
P = PREMIUM Z = CHRYSLER (RHD)
S = SPORT
X = SPECIAL

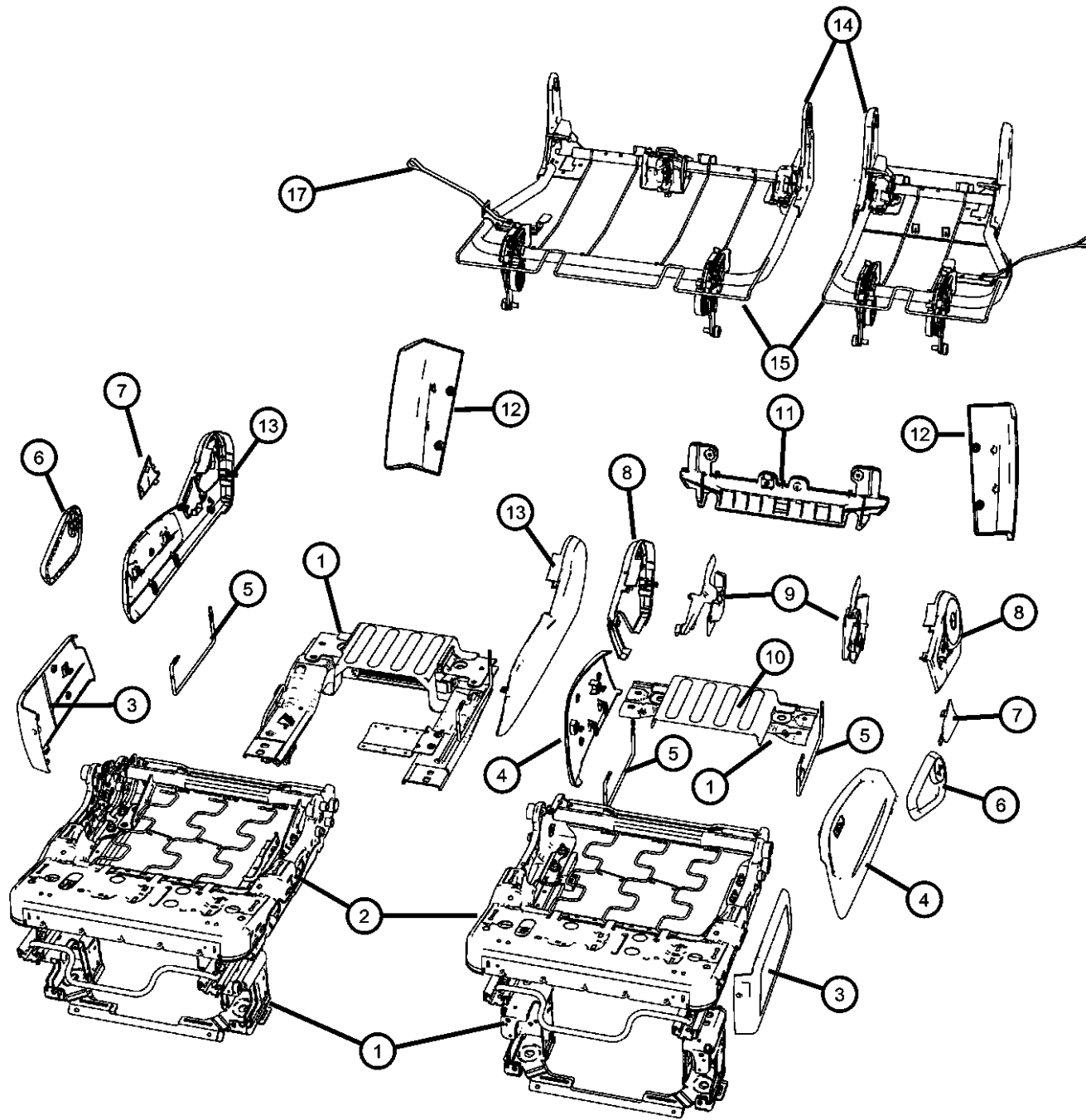
BODY
27 = 2-DR CONVERTIBLE
44 = HATCHBACK/QUAD
CAB CHASSIS LWB

ENGINE TRANSMISSION
EDJ = 2.2L 4 Cyl Turbo Diesel Engine DGL = 4-Speed Automatic Transmission
EDT = 2.4L 4 Cyl DOHC 16V Turbo Engine DD5 = 5-Speed Manual Transmission
EDV = 2.4L 4 Cyl DOHC 16V HO Turbo Engine DDD = 5-Speed HD Manual Transmission
EDZ = 2.4L 4 Cyl DOHC 16V SMPI Engine
EJD = 1.6L 4 Cyl SOHC 16V SMPI

AR = use ase required - = Non illustrated part

2006 PT

Risers , Seat Frame and Shields
Figure IPT-808



ITEM	PART NUMBER	QTY	LINE	SERIES	BODY	ENGINE	TRANS	TRIM	DESCRIPTION
8									SHIELD, Seat
	1CW421D5AA	1	C		27			*E7	[DA], Inboard
		1	C		44			*TL	[DA], Inboard
		1	C		44			*P7	[DA], Inboard
		1	C		44			*CL	[DA], Inboard
		1	C		27			*CL	[DA], Inboard
		1	C		27			*P7	[DA], Inboard
		1	C		44			*E7	[DA], Inboard
	1CW421K2AA	1	C		27			*E7	[KA], Inboard
		1	C		27			*XL	[KA], Inboard
		1	C		44			*P7	[KA], Inboard
		1	C		27			*P7	[KA], Inboard
		1	C		44			*E7	[KA], Inboard
	1CW421KAAA	1	C		44			*CL	[KA], Inboard
		1	C		27			*CL	[KA], Inboard
	1CW431D5AA	1	C		27			*E7	[DA], Outboard
		1	C		44			*E7	[DA], Outboard
		1	C		44			*P7	[DA], Outboard
		1	C		27			*P7	[DA], Outboard
		1	C		44			*CL	[DA], Outboard
		1	C		27			*CL	[DA], Outboard
		1	C		44			*TL	[DA], Outboard
	1CW431K2AA	1	C		27			*E7	[KA], Outboard
		1	C		44			*E7	[KA], Outboard
		1	C		44			*TL	[KA], Outboard
		1	C		44			*P7	[KA], Outboard
		1	C		27			*XL	[KA], Outboard
		1	C		27			*P7	[KA], Outboard
	1CW431KAAA	1	C		27			*CL	[KA], Outboard
		1	C		44			*CL	[KA], Outboard
	1CW631D5AA	1	Z		44			*P7	[DA] , Rear, Outboard, Driver

PT CRUISER (PT)

SERIES LINE
H = HIGHLINE C = CHRYSLER
P = PREMIUM Z = CHRYSLER (RHD)
S = SPORT
X = SPECIAL

BODY
27 = 2-DR CONVERTIBLE
44 = HATCHBACK/QUAD
CAB CHASSIS LWB

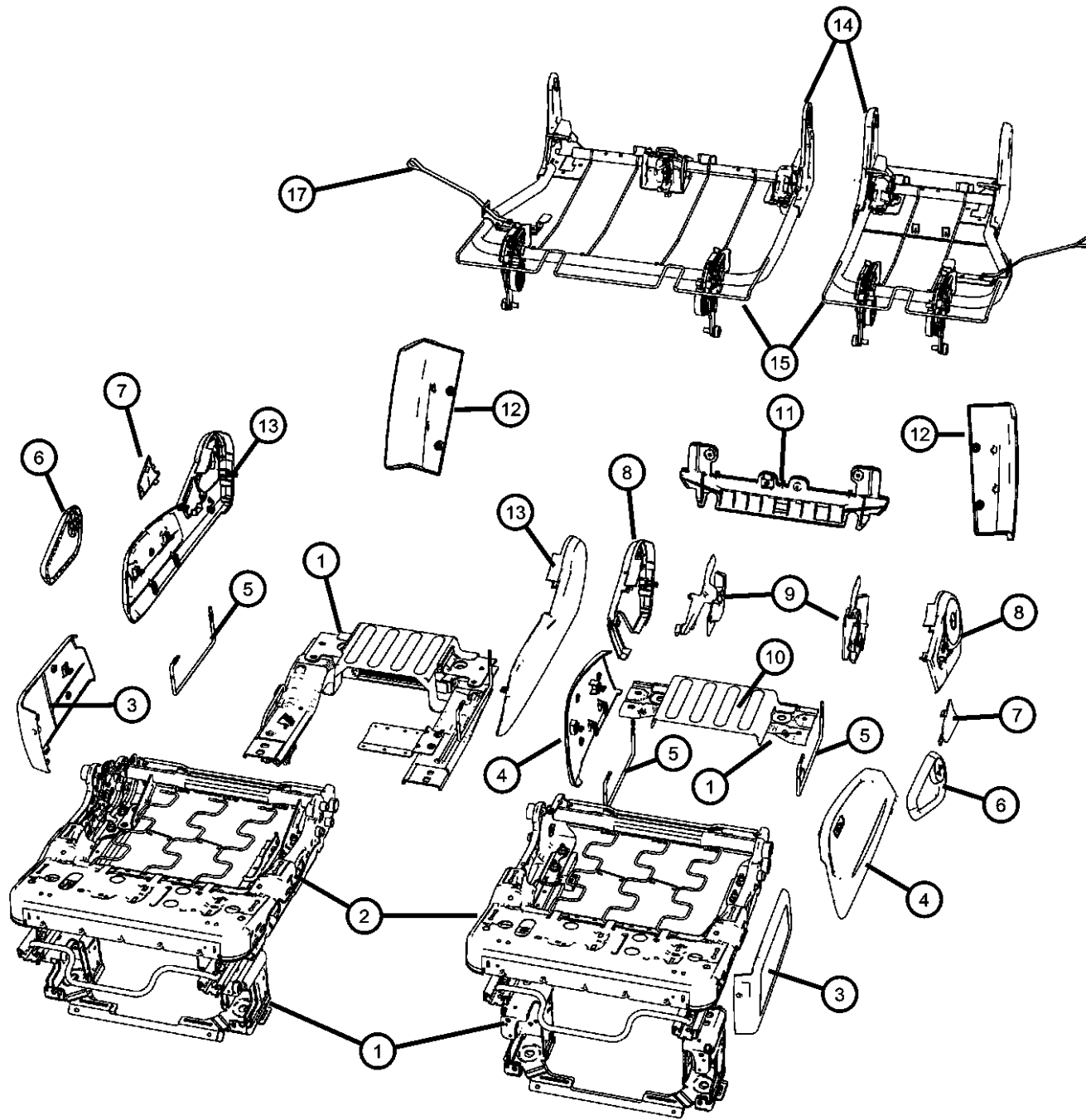
ENGINE
EDJ = 2.2L 4 Cyl Turbo Diesel Engine
EDT = 2.4L 4 Cyl DOHC 16V Turbo Engine
EDV = 2.4L 4 Cyl DOHC 16V HO Turbo Engine
EDZ = 2.4L 4 Cyl DOHC 16V SMPI Engine
EJD = 1.6L 4 Cyl SOHC 16V SMPI

TRANSMISSION
DGL = 4-Speed Automatic Transmission
DD5 = 5-Speed Manual Transmission
DDD = 5-Speed HD Manual Transmission

AR = use ase required - = Non illustrated part

2006 PT

Risers , Seat Frame and Shields
Figure IPT-808



ITEM	PART NUMBER	QTY	LINE	SERIES	BODY	ENGINE	TRANS	TRIM	DESCRIPTION
		1	Z		44			*TL	[DA] , Rear, Outboard, Driver
		1	Z		27			*CL	[DA] , Rear, Outboard, Driver
	1CW631K2AA	1	Z		44			*P7	[KA] , Rear, Outboard, Driver
	1CW631KAAA	1	Z		27			*CL	[KA] , Rear, Outboard, Driver
	1CW641D5AA	1	Z		44			*P7	[DA] , Rear, Inboard, Driver
		1	Z		44			*TL	[DA] , Rear, Inboard, Driver
		1	Z		27			*CL	[DA] , Rear, Inboard, Driver
	1CW641K2AA	1	Z		44			*P7	[KA] , Rear, Inboard, Driver
		1	Z		44			*TL	[KA] , Rear, Inboard, Driver
	1CW641KAAA	1	Z		27			*CL	[KA] , Rear, Inboard, Driver
	1CW651D5AA	1	Z		44			*P7	[DA] , Front, Inboard, Driver
		1	Z		44			*TL	[DA] , Front, Inboard, Driver
		1	Z		27			*CL	[DA] , Front, Inboard, Driver
	1CW651K2AA	1	Z		44			*P7	[KA] , Front, Inboard, Driver
		1	Z		44			*TL	[KA] , Front, Inboard, Driver
	1CW651KAAA	1	Z		27			*CL	[KA] , Front, Inboard, Driver
	1CW681D5AA	1	Z		44			*P7	[DA] , Front, Outboard, Driver
		1	Z		44			*TL	[DA] , Front, Outboard, Driver
		1	Z		27			*CL	[DA] , Front, Outboard, Driver
	1CW681K2AA	1	Z		44			*P7	[KA] , Front, Outboard, Driver
		1	Z		44			*TL	[KA] , Front, Outboard, Driver
	1CW681KAAA	1	Z		27			*CL	[KA] , Front, Outboard, Driver
9									SHIELD, Seat
	1CW081D5AA	1	C		27			*E7	[DA] , Right
		1	C		44			*E7	[DA] , Right
		1	Z		27			*CL	[DA] , Right
		1	C		44			*TL	[DA] , Right
		1	C		27			*CL	[DA] , Right
		1	C		44			*P7	[DA] , Right
		1	Z		44			*TL	[DA] , Right
	1CW081K2AA	1	C		27			*E7	[KA] , Right

PT CRUISER (PT)

SERIES LINE
H = HIGHLINE C = CHRYSLER
P = PREMIUM Z = CHRYSLER (RHD)
S = SPORT
X = SPECIAL

BODY
27 = 2-DR CONVERTIBLE
44 = HATCHBACK/QUAD
CAB CHASSIS LWB

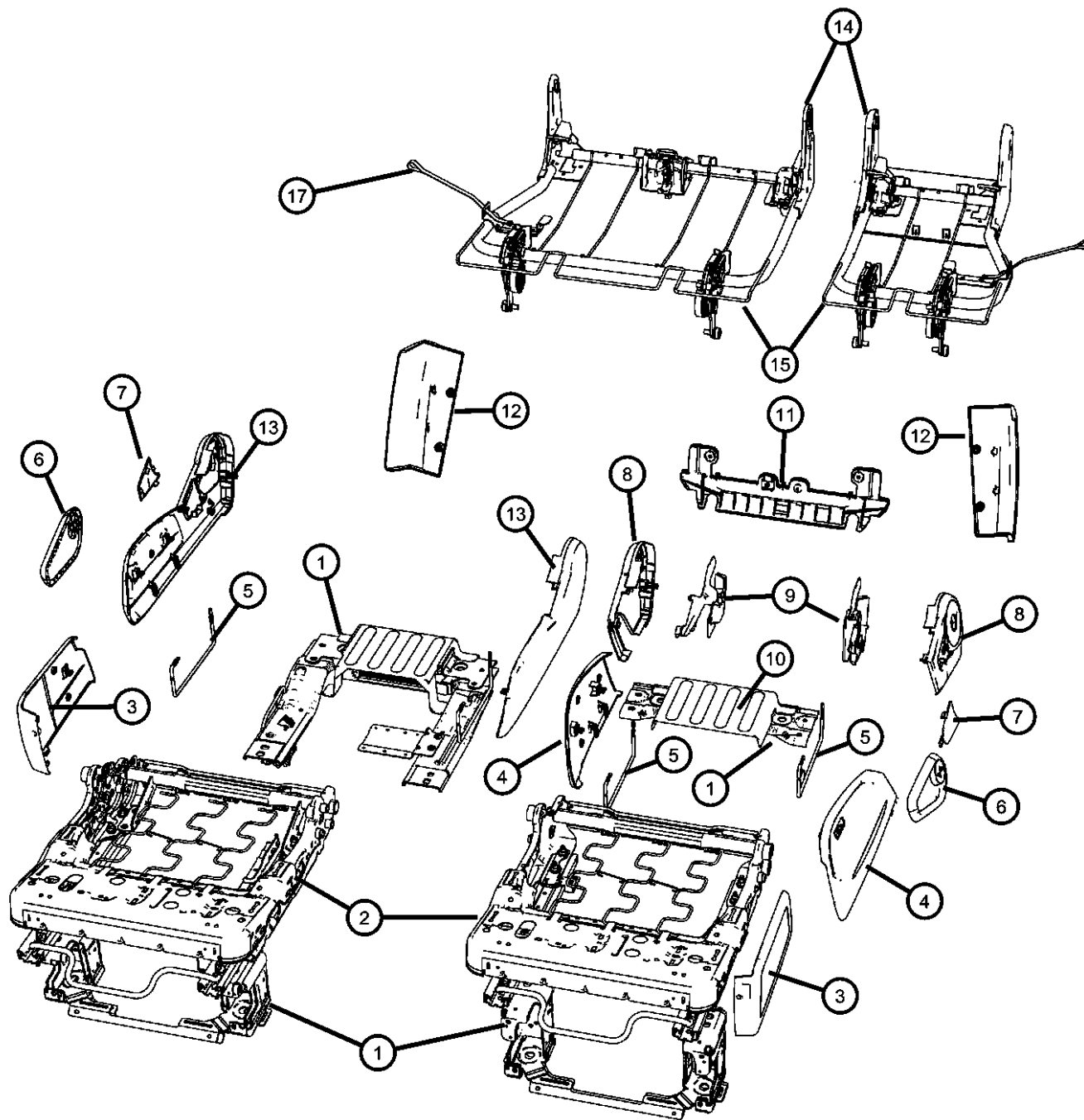
ENGINE
EDJ = 2.2L 4 Cyl Turbo Diesel Engine
EDT = 2.4L 4 Cyl DOHC 16V Turbo Engine
EDV = 2.4L 4 Cyl DOHC 16V HO Turbo Engine
EDZ = 2.4L 4 Cyl DOHC 16V SMPI Engine
EJD = 1.6L 4 Cyl SOHC 16V SMPI

TRANSMISSION
DGL = 4-Speed Automatic Transmission
DD5 = 5-Speed Manual Transmission
DDD = 5-Speed HD Manual Transmission

AR = use ase required - = Non illustrated part

2006 PT

Risers , Seat Frame and Shields
Figure IPT-808



ITEM	PART NUMBER	QTY	LINE	SERIES	BODY	ENGINE	TRANS	TRIM	DESCRIPTION
		1	C		44			*E7	[KA], Right
		1	C		44			*P7	[KA], Right
		1	C		27			*XL	[KA], Right
		1	Z		44			*TL	[KA], Right
		1	C		44			*TL	[KA], Right
	1CW081KAAA	1	C		44			*CL	[KA], Right
		1	C		27			*CL	[KA], Right
		1	Z		27			*CL	[KA], Right
	1CW091D5AA	1	C		27			*E7	[DA], Left
		1	C		44			*P7	[DA], Left
		1	Z		44			*P7	[DA], Left
		1	C		27			*P7	[DA], Left
		1	C		27			*CL	[DA], Left
		1	C		44			*E7	[DA], Left
		1	C		44			*CL	[DA], Left
		1	Z		27			*P7	[DA], Left
	1CW091K2AA	1	C		27			*E7	[KA], Left
		1	C		44			*E7	[KA], Left
		1	C		44			*P7	[KA], Left
		1	Z		44			*P7	[KA], Left
		1	C		27			*P7	[KA], Left
		1	Z		44			*TL	[KA], Left
		1	C		44			*TL	[KA], Left
		1	Z		27			*P7	[KA], Left
10	05175739AA	1	C		27				PLATE, Adjuster Protect
		1	C		44			*E7	Driver
		1	C		44			*E7	Driver
		1	Z		27			*CL	Driver
		1	C		27			*CL	Driver
		1	Z		44			*TL	Driver
		1	C		27			*P7	Driver

PT CRUISER (PT)

SERIES LINE
H = HIGHLINE C = CHRYSLER
P = PREMIUM Z = CHRYSLER (RHD)
S = SPORT
X = SPECIAL

BODY
27 = 2-DR CONVERTIBLE
44 = HATCHBACK/QUAD
CAB CHASSIS LWB

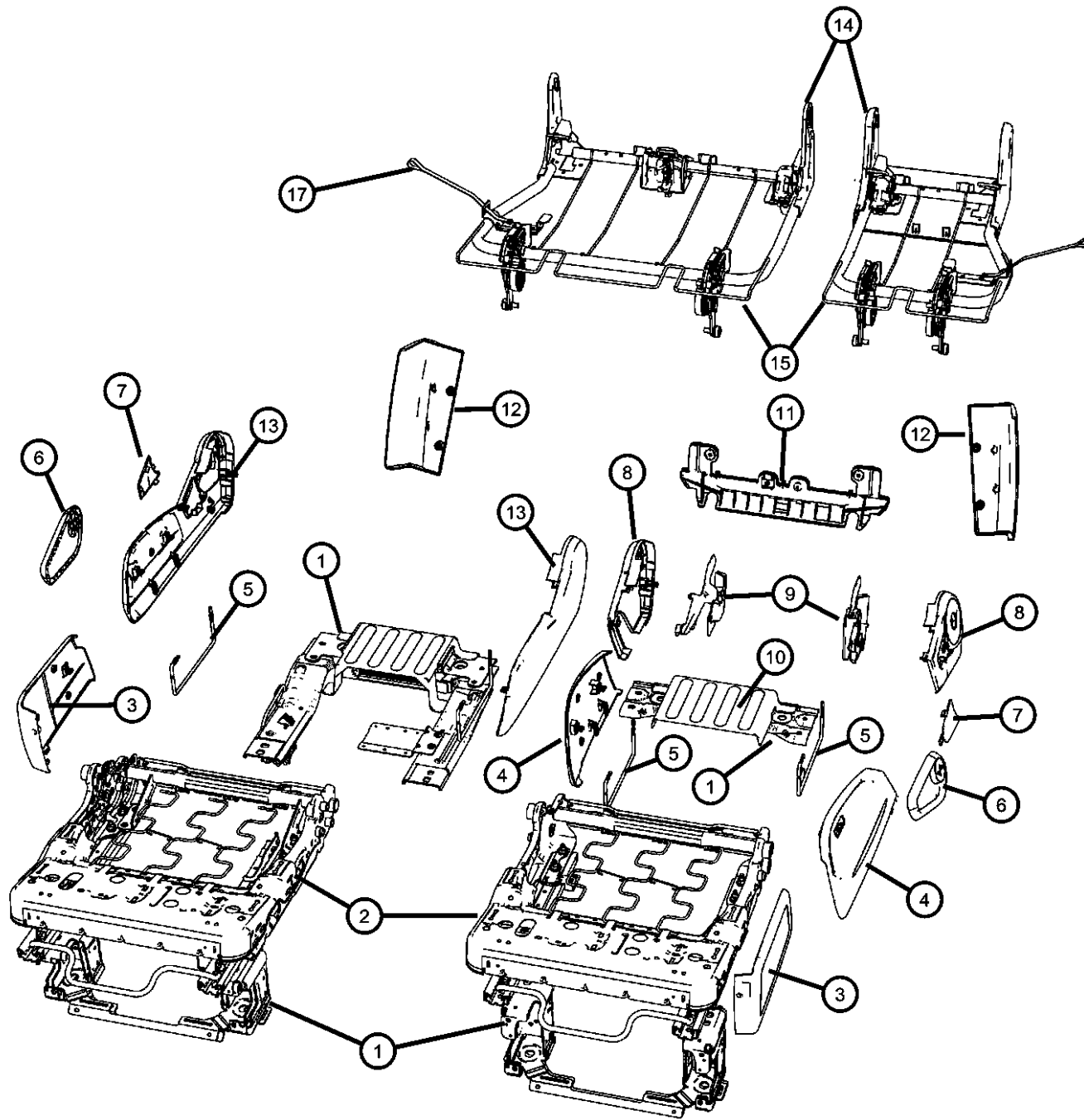
ENGINE
EDJ = 2.2L 4 Cyl Turbo Diesel Engine
EDT = 2.4L 4 Cyl DOHC 16V Turbo Engine
EDV = 2.4L 4 Cyl DOHC 16V HO Turbo Engine
EDZ = 2.4L 4 Cyl DOHC 16V SMPI Engine
EJD = 1.6L 4 Cyl SOHC 16V SMPI

TRANSMISSION
DGL = 4-Speed Automatic Transmission
DD5 = 5-Speed Manual Transmission
DDD = 5-Speed HD Manual Transmission

AR = use ase required - = Non illustrated part

2006 PT

Risers , Seat Frame and Shields
Figure IPT-808



ITEM	PART NUMBER	QTY	LINE	SERIES	BODY	ENGINE	TRANS	TRIM	DESCRIPTION
		1	Z		44			*P7	Driver
		1	C		44			*P7	Driver
		1	C		44			*TL	Driver
		1	C		27			*XL	Driver
	68026781AA	1	Z		27			*P7	Driver
		1	C		27			*E7	Passenger
		1	C		44			*E7	Passenger
		1	C		27			*XL	Passenger
		1	Z		44			*P7	Passenger
		1	Z		44			*TL	Passenger
		1	C		44			*TL	Passenger
		1	C		27			*CL	Passenger
		1	Z		27			*CL	Passenger
		1	C		44			*P7	Passenger
		1	C		27			*P7	Passenger
		1	Z		27			*P7	Passenger
11	05183345AA	1	C		27			*E7	SHIELD, Seat
		1	C		27			*CL	
		1	C		27			*XL	
		1	C		44			*P7	
		1	C		44			*TL	
		1	C		44			*E7	
		1	C		27			*P7	
		1	Z		27			*P7	
12	05183343AA	1	C		27			*E7	SHIELD, Seat, Air Bag
		1	C		27			*CL	Left
		1	C		27			*XL	
		1	C		44			*TL	

PT CRUISER (PT)

SERIES LINE
H = HIGHLINE C = CHRYSLER
P = PREMIUM Z = CHRYSLER (RHD)
S = SPORT
X = SPECIAL

BODY
27 = 2-DR CONVERTIBLE
44 = HATCHBACK/QUAD
CAB CHASSIS LWB

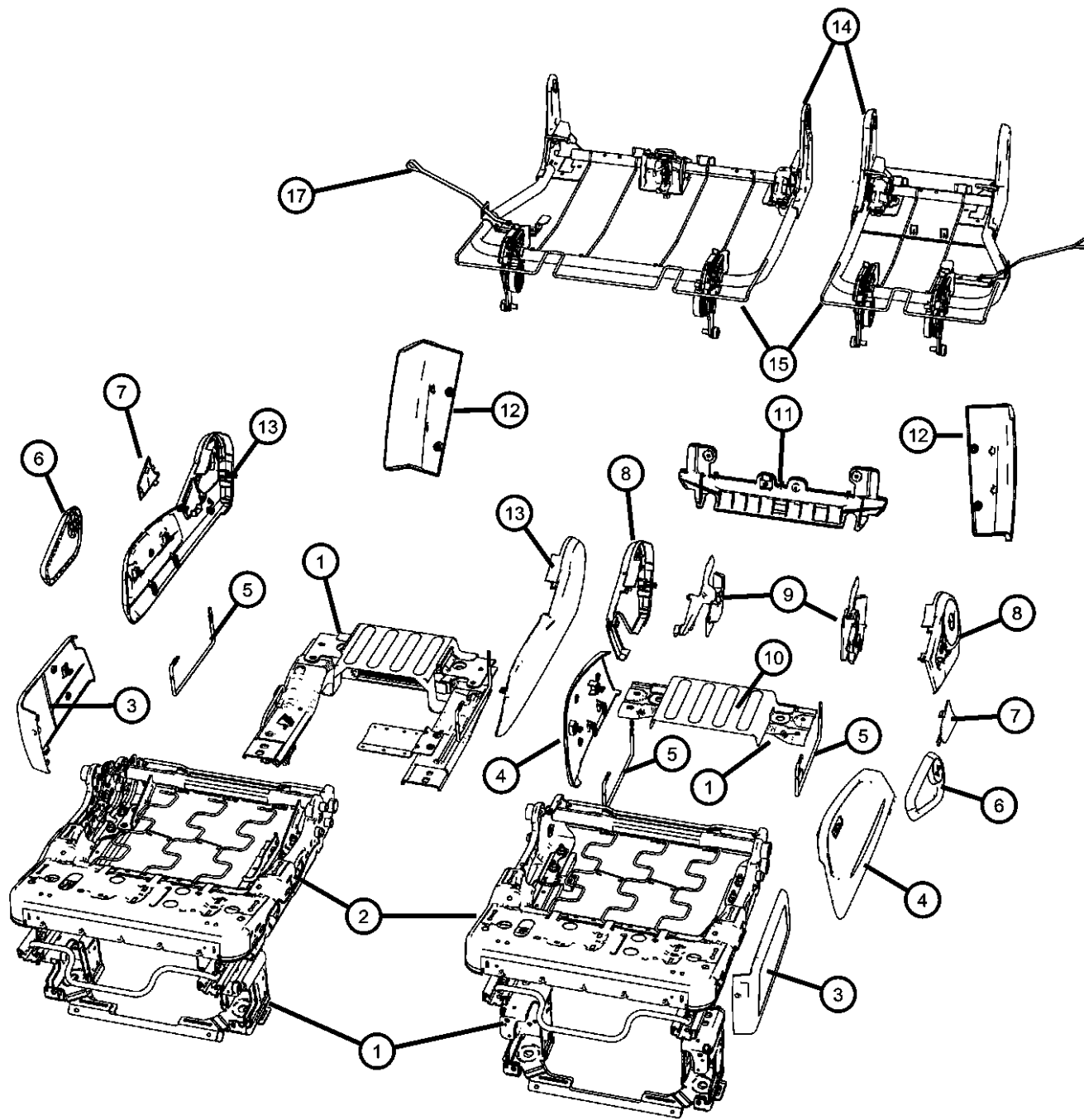
ENGINE
EDJ = 2.2L 4 Cyl Turbo Diesel Engine
EDT = 2.4L 4 Cyl DOHC 16V Turbo Engine
EDV = 2.4L 4 Cyl DOHC 16V HO Turbo Engine
EDZ = 2.4L 4 Cyl DOHC 16V SMPI Engine
EJD = 1.6L 4 Cyl SOHC 16V SMPI

TRANSMISSION
DGL = 4-Speed Automatic Transmission
DD5 = 5-Speed Manual Transmission
DDD = 5-Speed HD Manual Transmission

AR = use ase required - = Non illustrated part

2006 PT

Risers , Seat Frame and Shields
Figure IPT-808



ITEM	PART NUMBER	QTY	LINE	SERIES	BODY	ENGINE	TRANS	TRIM	DESCRIPTION
		1	C		44			*CL	Left
		1	C		44			*E7	
		1	Z		44			*TL	
		1	C		27			*P7	Left
		1	Z		27			*P7	Left
	05183344AA	1	C		27			*E7	Left
		1	C		27			*CL	Right
		1	C		44			*CL	Right
		1	C		44			*E7	Right
		1	C		27			*XL	Right
		1	Z		44			*TL	Right
		1	C		44			*TL	Right
		1	C		27			*P7	Right
		1	Z		27			*P7	Right
13									SHIELD, Seat
	1CW101D5AA	1	C		27			*E7	[DA], Inboard
		1	C		27			*CL	[DA], Inboard
		1	C		27			*P7	[DA], Inboard
	1CW101K2AA	1	C		27			*XL	[KA], Inboard
		1	C		27			*P7	[KA], Inboard
	1CW101KAAA	1	C		27			*CL	[KA], Inboard
	1CW141D5AA	1	C		27			*E7	[DA], Outboard
		1	C		27			*CL	[DA], Outboard
		1	C		44			*P7	[DA], Outboard
		1	C		27			*P7	[DA], Outboard
	1CW141K2AA	1	C		27			*XL	[KA], Outboard
		1	C		27			*P7	[KA], Outboard
	1CW141KAAA	1	C		27			*CL	[KA], Outboard
	1CW291K2AA	1	C		44			*P7	[KA], Passenger, Inboard
14									PANEL, Seat Cushion
	1CY701D5AA	1	C		44			*P7	[DA] , 60%

PT CRUISER (PT)

SERIES LINE
H = HIGHLINE C = CHRYSLER
P = PREMIUM Z = CHRYSLER (RHD)
S = SPORT
X = SPECIAL

BODY
27 = 2-DR CONVERTIBLE
44 = HATCHBACK/QUAD
CAB CHASSIS LWB

ENGINE
EDJ = 2.2L 4 Cyl Turbo Diesel Engine
EDT = 2.4L 4 Cyl DOHC 16V Turbo Engine
EDV = 2.4L 4 Cyl DOHC 16V HO Turbo Engine
EDZ = 2.4L 4 Cyl DOHC 16V SMPI Engine
EJD = 1.6L 4 Cyl SOHC 16V SMPI

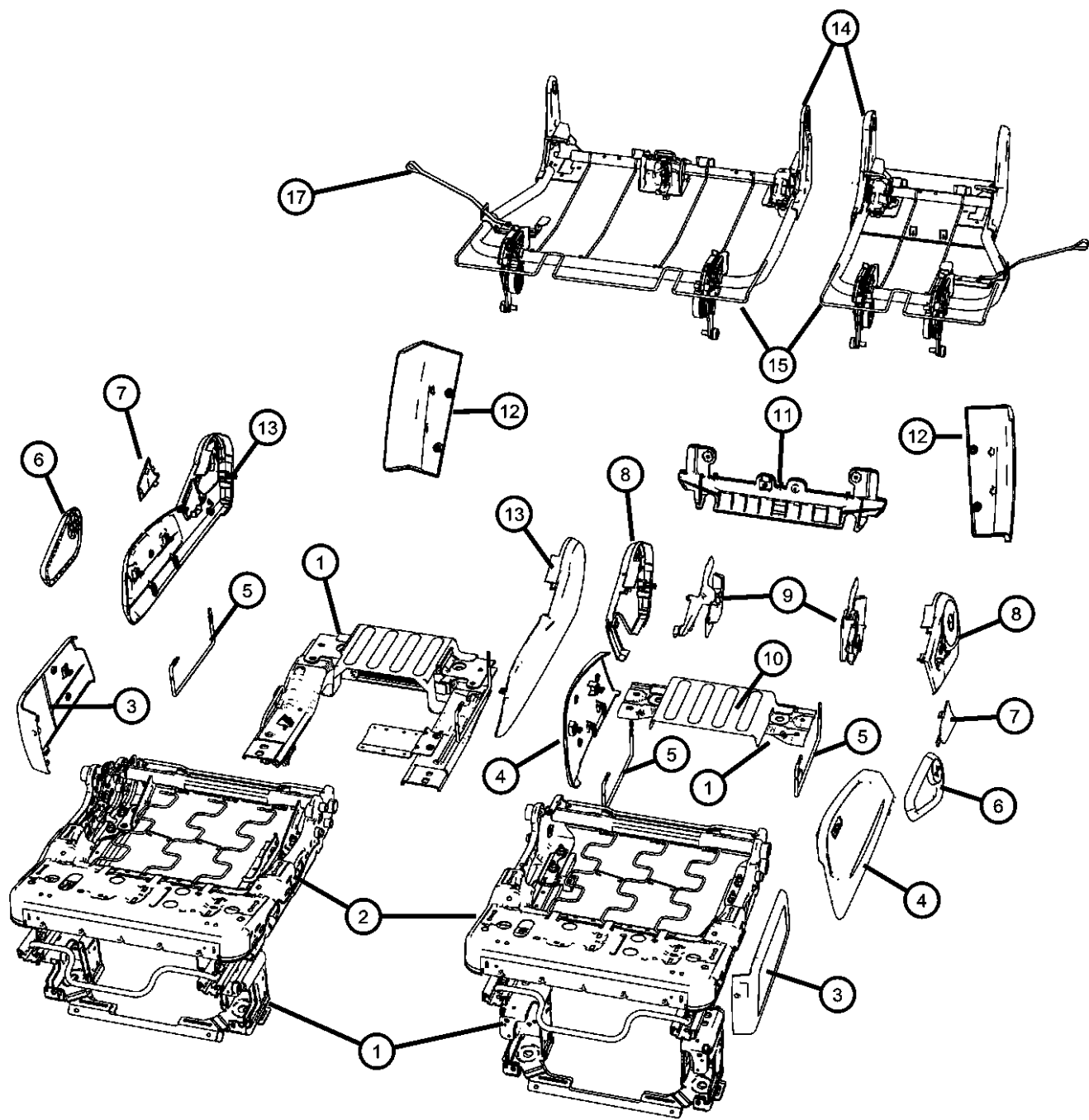
TRANSMISSION
DGL = 4-Speed Automatic Transmission
DD5 = 5-Speed Manual Transmission
DDD = 5-Speed HD Manual Transmission

AR = use ase required - = Non illustrated part

2006 PT

Risers , Seat Frame and Shields
Figure IPT-808

ITEM	PART NUMBER	QTY	LINE	SERIES	BODY	ENGINE	TRANS	TRIM	DESCRIPTION
		1	C		44			*CL	[DA] , 60%
		1	C		44			*TL	[DA] , 60%
		1	Z		44			*P7	[DA] , 60%
		1	C		44			*E7	[DA] , 60%
	1CY701K2AA	1	C		44			*TL	[KA] , 60%
		1	Z		44			*TL	[KA] , 60%
	1CY701KAAA	1	C		44			*CL	[KA] , 60%
	1CY711D5AA	1	C		44			*TL	[DA] , 40%
		1	Z		44			*TL	[DA] , 40%
		1	C		44			*CL	[DA] , 40%
	1CY711K2AA	1	C		44			*TL	[KA] , 40%
		1	Z		44			*P7	[KA] , 40%
		1	C		44			*P7	[KA] , 40%
	1CY711KAAA	1	C		44			*CL	[KA] , 40%
15									FRAME, Rear Seat Cushion
	05175919AA	1	C		44			*P7	40%
		1	C		44			*CL	40%
		1	C		44			*TL	40%
		1	Z		44			*P7	40%
		1	Z		44			*TL	40%
	05175920AA	1	C		44			*P7	60%
		1	C		44			*CL	60%
		1	Z		44			*P7	60%
		1	Z		44			*TL	60%
-16									SHIELD, Seat, Cushion
	1AM331D5AA	1	Z		27			*CL	[DA], Left
		1	C		27			*CL	[DA], Left
		1	C		27			*P7	[DA], Left
		1	Z		27			*P7	[DA], Left
	1AM331K2AA	1	C		27			*XL	[KA], Left



PT CRUISER (PT)

SERIES LINE
H = HIGHLINE C = CHRYSLER
P = PREMIUM Z = CHRYSLER (RHD)
S = SPORT
X = SPECIAL

BODY
27 = 2-DR CONVERTIBLE
44 = HATCHBACK/QUAD
CAB CHASSIS LWB

ENGINE
EDJ = 2.2L 4 Cyl Turbo Diesel Engine
EDT = 2.4L 4 Cyl DOHC 16V Turbo Engine
EDV = 2.4L 4 Cyl DOHC 16V HO Turbo Engine
EDZ = 2.4L 4 Cyl DOHC 16V SMPI Engine
EJD = 1.6L 4 Cyl SOHC 16V SMPI

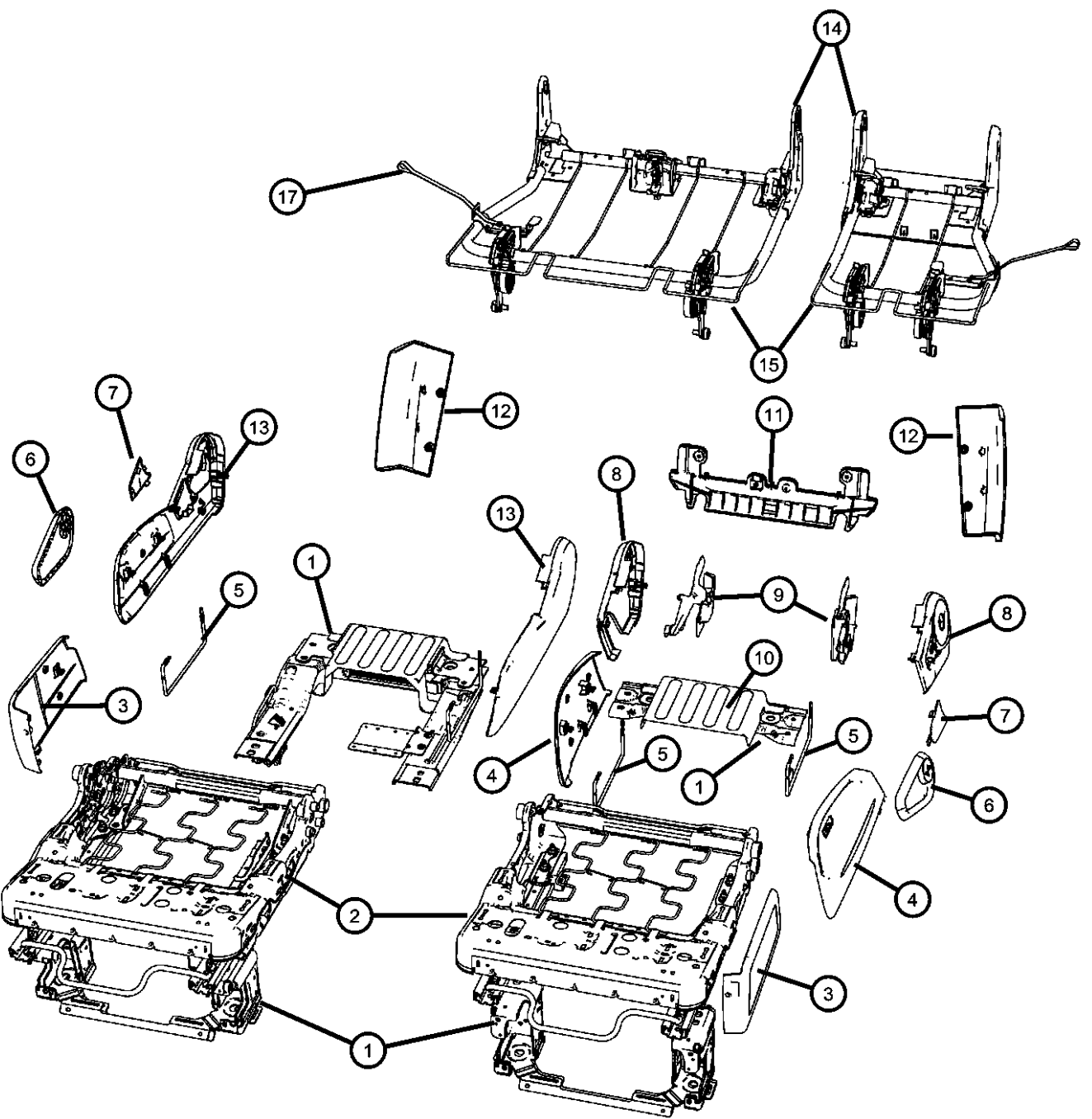
TRANSMISSION
DGL = 4-Speed Automatic Transmission
DD5 = 5-Speed Manual Transmission
DDD = 5-Speed HD Manual Transmission

AR = use ase required - = Non illustrated part

2006 PT

Risers , Seat Frame and Shields
Figure IPT-808

ITEM	PART NUMBER	QTY	LINE	SERIES	BODY	ENGINE	TRANS	TRIM	DESCRIPTION
		1	C		27			*P7	[KA], Left
		1	Z		27			*P7	[KA], Left
	1AM341D5AA	1	Z		27			*CL	[DA], Right
		1	C		27			*CL	[DA], Right
		1	C		27			*P7	[DA], Right
		1	Z		27			*P7	[DA], Right
	1AM341K2AA	1	C		27			*XL	[KA], Right
		1	C		27			*P7	[KA], Right
		1	Z		27			*P7	[KA], Right
	1AM341KAAA	1	Z		27			*CL	[KA], Right
		1	C		27			*CL	[KA], Right
17									CABLE, Latch Release
	05175939AA	1	C		44			*P7	40% Side
		1	C		44			*TL	40% Side
		1	C		44			*CL	40% Side
		1	C		44			*E7	40% Side
		1	Z		44			*P7	40% Side
		1	Z		44			*TL	40% Side
	05175940AA	1	C		44			*P7	60% Side
		1	C		44			*TL	60% Side
		1	C		44			*CL	60% Side
		1	Z		44			*TL	60% Side
		1	Z		44			*P7	60% Side
		1	C		44			*E7	60% Side
-18									CABLE, Seat Adjuster
	05175933AA	1	C		27			*E7	EZ Entry
		1	C		27			*CL	EZ Entry
		1	C		27			*XL	EZ Entry
-19									CABLE, Recliner
	05175676AA	1	C		44			*P7	
		1	C		44			*TL	

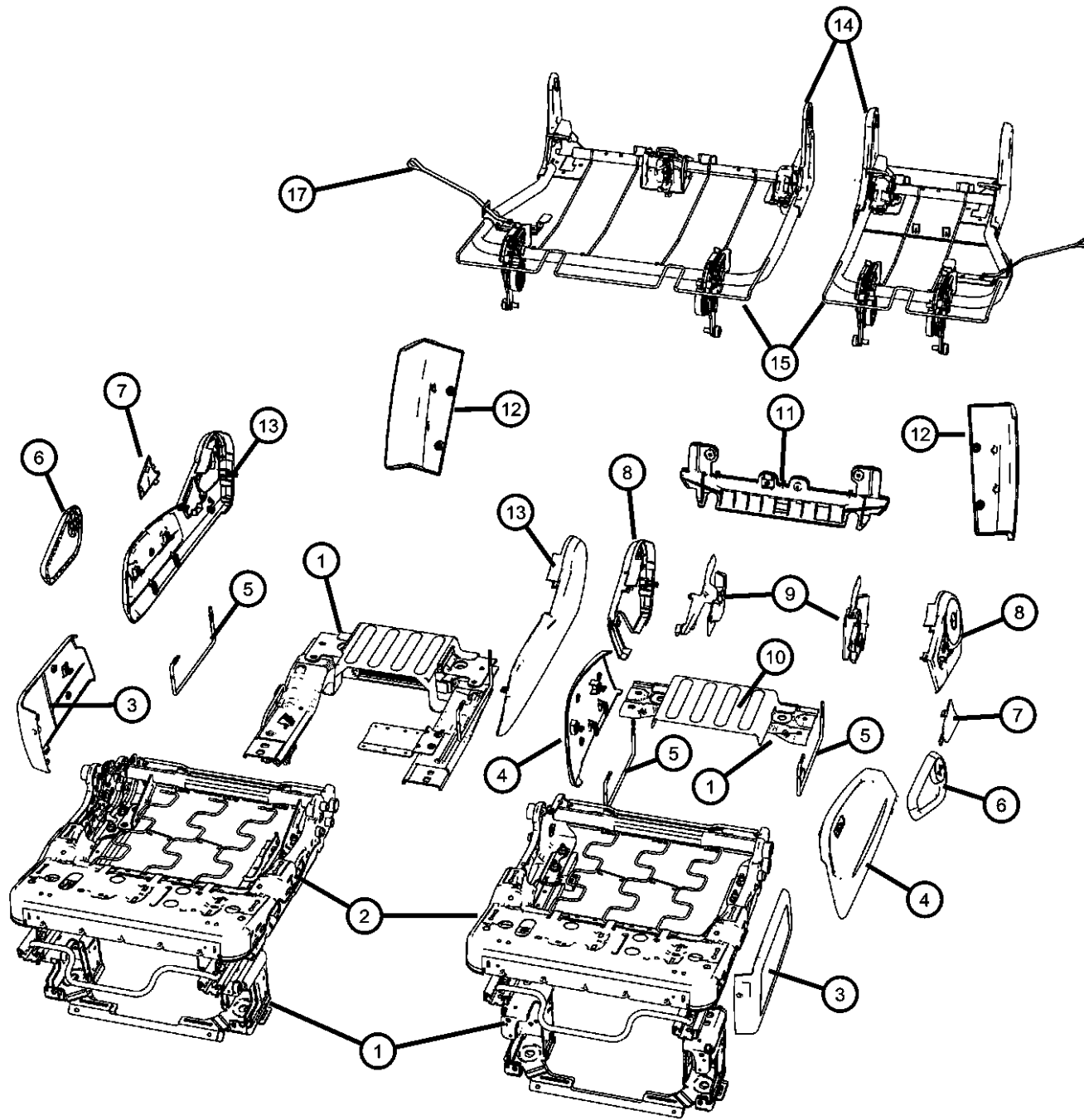


PT CRUISER (PT)

SERIES	LINE	BODY	ENGINE	TRANSMISSION
H = HIGHLINE	C = CHRYSLER	27 = 2-DR CONVERTIBLE	EDJ = 2.2L 4 Cyl Turbo Diesel Engine	DGL = 4-Speed Automatic Transmission
P = PREMIUM	Z = CHRYSLER (RHD)	44 = HATCHBACK/QUAD CAB CHASSIS LWB	EDT = 2.4L 4 Cyl DOHC 16V Turbo Engine	DD5 = 5-Speed Manual Transmission
S = SPORT			EDV = 2.4L 4 Cyl DOHC 16V HO Turbo Engine	DDD = 5-Speed HD Manual Transmission
X = SPECIAL			EDZ = 2.4L 4 Cyl DOHC 16V SMPI Engine	
			EJD = 1.6L 4 Cyl SOHC 16V SMPI	

AR = use ase required - = Non illustrated part

Risers , Seat Frame and Shields
Figure IPT-808



ITEM	PART NUMBER	QTY	LINE	SERIES	BODY	ENGINE	TRANS	TRIM	DESCRIPTION
		1	C		44			*E7	
		1	Z		44			*P7	
		1	C		44			*CL	
		1	C		27			*CL	
		1	C		27			*XL	
		1	Z		44			*TL	
-20									ROUTER, Cable
	05179020AA	1	C		27			*E7	
		1	C		27			*CL	
		1	C		27			*XL	
		1	Z		27			*CL	
		1	C		27			*P7	
-21									KNOB
	1CY741D5AA	1	C		27			*E7	[DA]
		1	C		27			*CL	[DA]
		1	C		27			*P7	[DA]
	1CY741K2AA	1	C		27			*E7	[KA]
		1	C		27			*XL	[KA]
		1	C		27			*P7	[KA]
	1CY741KAAA	1	C		27			*CL	[KA]

PT CRUISER (PT)

SERIES LINE
H = HIGHLINE C = CHRYSLER
P = PREMIUM Z = CHRYSLER (RHD)
S = SPORT
X = SPECIAL

BODY
27 = 2-DR CONVERTIBLE
44 = HATCHBACK/QUAD
CAB CHASSIS LWB

ENGINE
EDJ = 2.2L 4 Cyl Turbo Diesel Engine
EDT = 2.4L 4 Cyl DOHC 16V Turbo Engine
EDV = 2.4L 4 Cyl DOHC 16V HO Turbo Engine
EDZ = 2.4L 4 Cyl DOHC 16V SMPI Engine
EJD = 1.6L 4 Cyl SOHC 16V SMPI

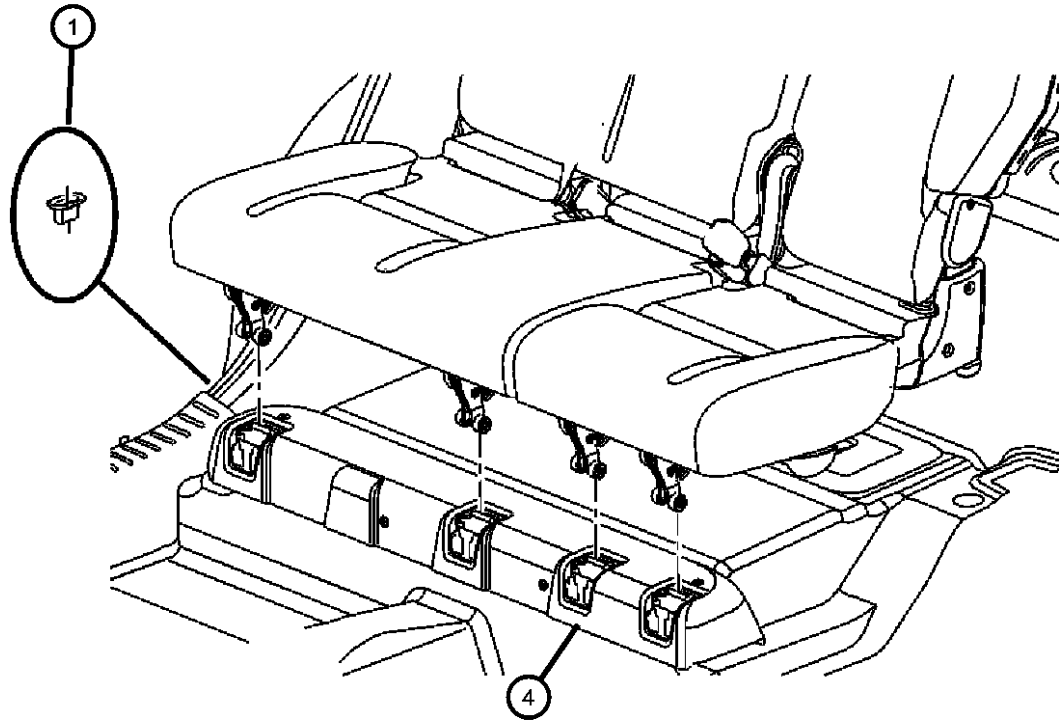
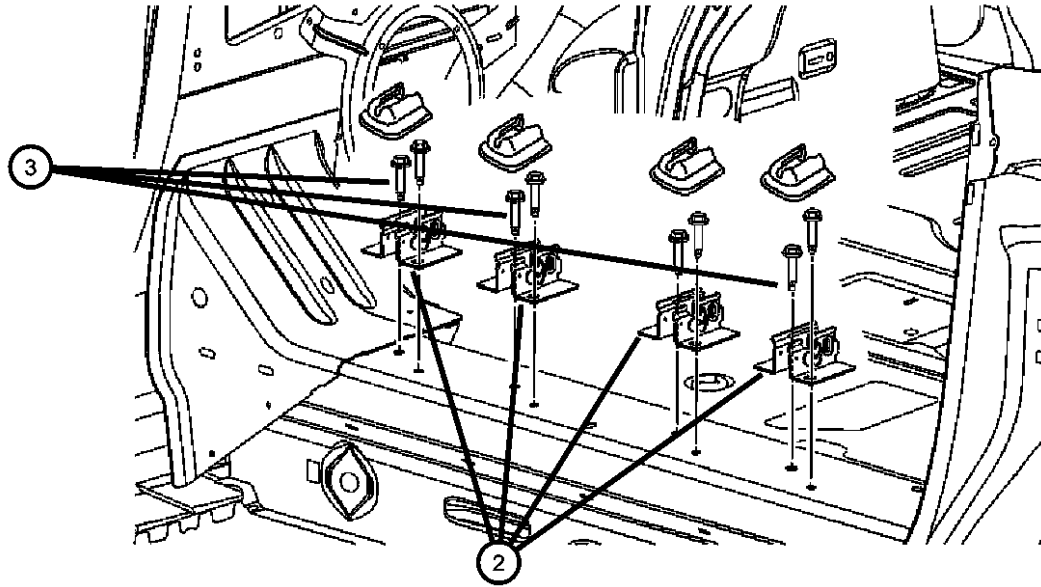
TRANSMISSION
DGL = 4-Speed Automatic Transmission
DD5 = 5-Speed Manual Transmission
DDD = 5-Speed HD Manual Transmission

AR = use ase required - = Non illustrated part

2006 PT

Seat - Rear Attachments Floor Pan - 27 Body
Figure IPT-840

ITEM	PART NUMBER	QTY	LINE	SERIES	BODY	ENGINE	TRANS	TRIM	DESCRIPTION
1	06505670AA	6			27				NUT, Plastic
2	04645977AB	4			27				BRACKET, Rear Seat Pivot
3	06100586	8			27				BOLT AND CONED WASHER, Hex Head, M8x40x20
4									SHIELD, Seat
	1AM331D5AA	1	C		27			*E7	[DA], Left
		1	C		27			*CL	[DA], Left
		1	Z		27			*CL	[DA], Left
	1AM331K2AA	1	C		27			*E7	[KA], Left
		1	C		27			*XL	[KA], Left
	1AM331KAAA	1	C		27			*CL	[KA], Left
		1	Z		27			*CL	[KA], Left
	1AM341D5AA	1	C		27			*E7	[DA], Right
		1	C		27			*CL	[DA], Right
		1	Z		27			*CL	[DA]
	1AM341K2AA	1	C		27			*E7	[KA], Right
		1	C		27			*XL	[KA]
	1AM341KAAA	1	C		27			*CL	[KA]
		1	Z		27			*CL	[KA]



PT CRUISER (PT)

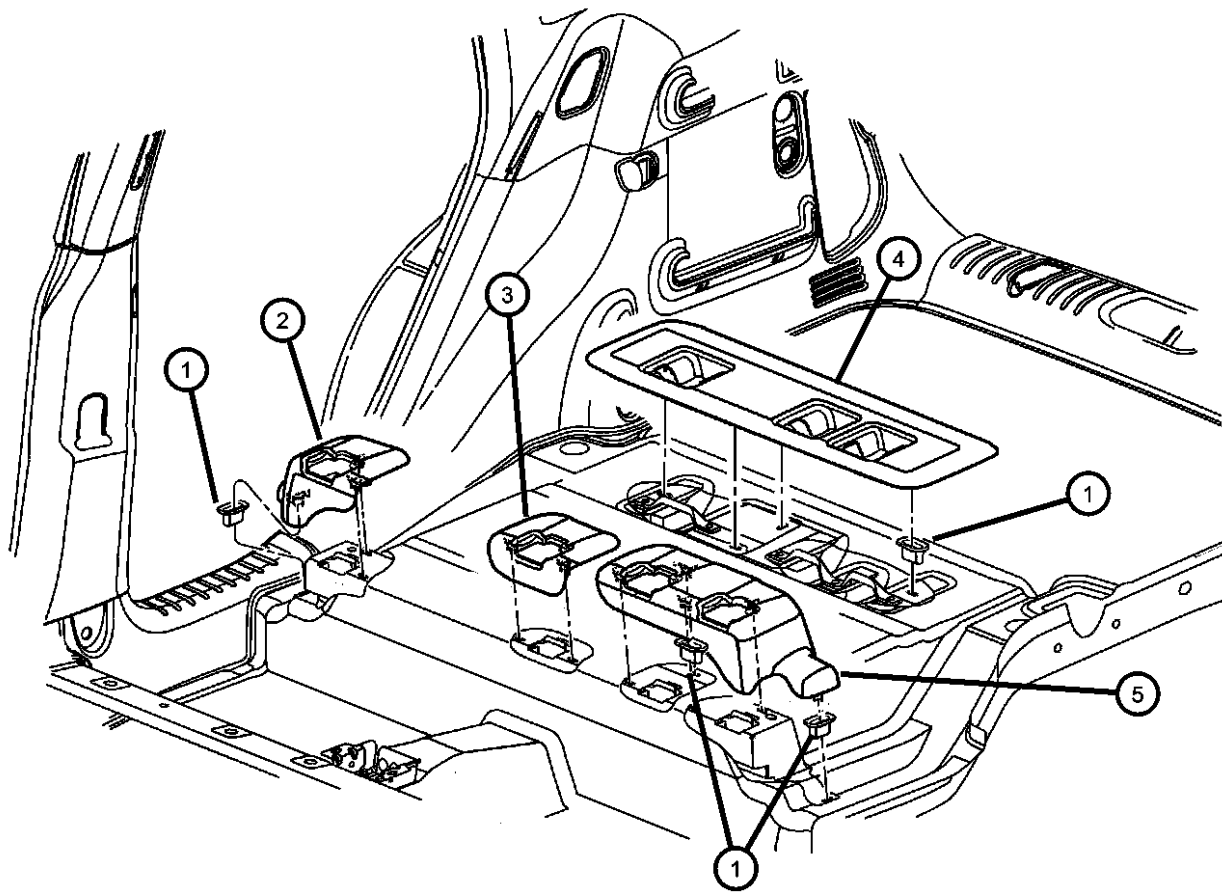
SERIES LINE
H = HIGHLINE C = CHRYSLER
P = PREMIUM Z = CHRYSLER (RHD)
S = SPORT
X = SPECIAL

BODY
27 = 2-DR CONVERTIBLE
44 = HATCHBACK/QUAD
CAB CHASSIS LWB

ENGINE TRANSMISSION
EDJ = 2.2L 4 Cyl Turbo Diesel Engine
EDT = 2.4L 4 Cyl DOHC 16V Turbo Engine
EDV = 2.4L 4 Cyl DOHC 16V HO Turbo Engine
EDZ = 2.4L 4 Cyl DOHC 16V SMPI Engine
EJD = 1.6L 4 Cyl SOHC 16V SMPI
DGL = 4-Speed Automatic Transmission
DD5 = 5-Speed Manual Transmission
DDD = 5-Speed HD Manual Transmission

AR = use ase required - = Non illustrated part

Seat - Rear Attachments Floor Pan - 44 Body
Figure IPT-845



ITEM	PART NUMBER	QTY	LINE	SERIES	BODY	ENGINE	TRANS	TRIM	DESCRIPTION
1	06505670AA	4							NUT, Plastic
2									BEZEL, Seat Pivot
	0TK86BD5AF	1			44			*O0	[DA]
	0TK86DK5AF	1			44			*O0	[KA]
3									BEZEL, Seat Pivot
	0TK88BD5AD	1			44			*O0	[DA]
	0TK88DK5AD	1			44			*O0	[KA]
4									BEZEL, Seat Latch
	0SA27BD5AC	1			44			*O0	[DA]
	0SA27DK5AC	1			44			*O0	[KA]
5									BEZEL, Seat Pivot
	0TK87BD5AF	1			44			*O0	[DA]
	0TK87DK5AF	1			44			*O0	[KA]
-6									BRACKET, Rear Seat Pivot
	05175934AA	1	C		44			*CL	40%, Outboard
		1	C		44			*TL	40%, Outboard
		1	C		44			*P7	40%, Outboard
		1	C		44			*E7	40%, Outboard
	05175935AA	1	C		44			*P7	60%, Inboard
		1	C		44			*E7	60%, Inboard
		1	C		44			*CL	60%, Inboard
		1	C		44			*TL	60%, Inboard
	05175936AA	1	C		44			*P7	40%, Inboard
		1	C		44			*TL	40%, Inboard
		1	C		44			*CL	40%, Inboard
		1	C		44			*E7	40%, Inboard
	05175937AA	1	C		44			*TL	60%, Outboard
		1	C		44			*CL	60%, Outboard
		1	C		44			*P7	60%, Outboard
		1	C		44			*E7	60%, Outboard
-7									BOLT, Shoulder
	05080555AA	1	C		44			*TL	

PT CRUISER (PT)

SERIES LINE
H = HIGHLINE C = CHRYSLER
P = PREMIUM Z = CHRYSLER (RHD)
S = SPORT
X = SPECIAL

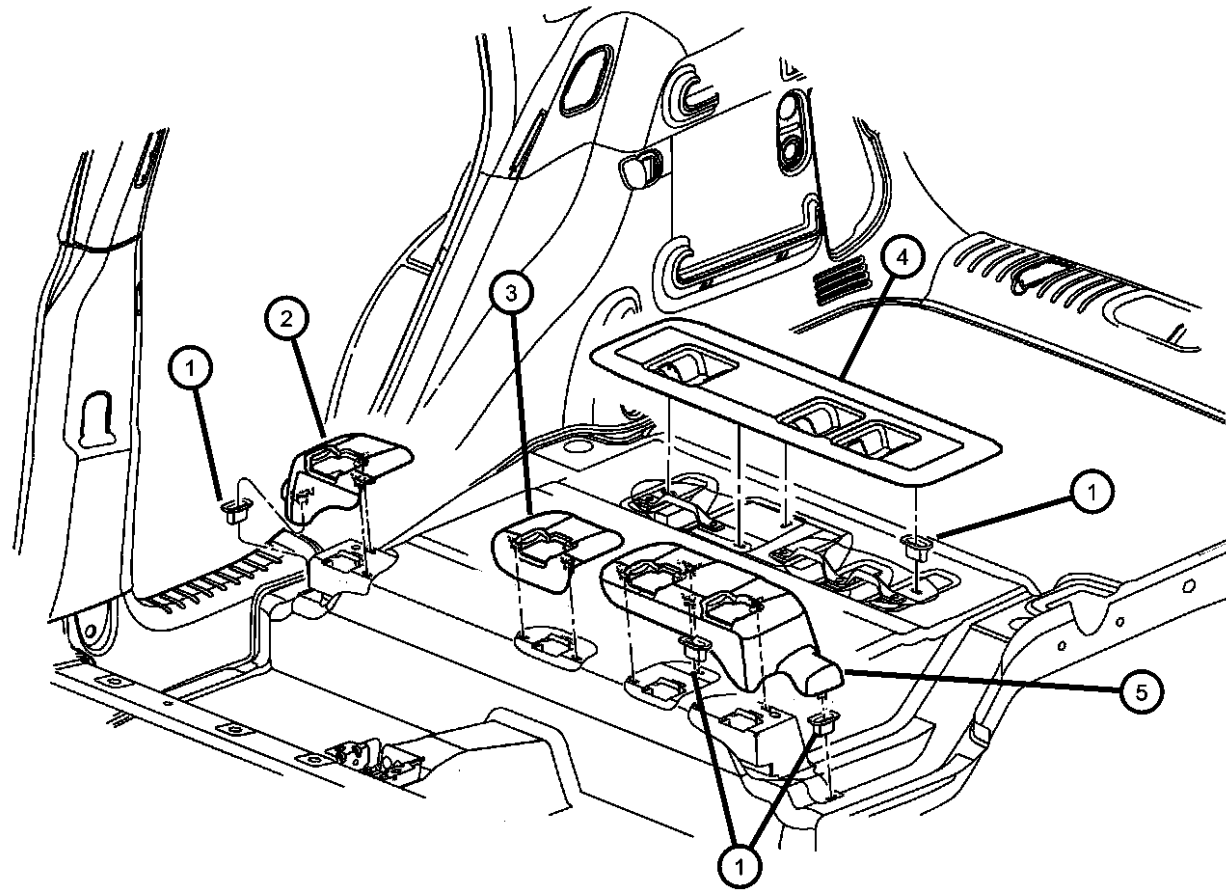
BODY
27 = 2-DR CONVERTIBLE
44 = HATCHBACK/QUAD
CAB CHASSIS LWB

ENGINE TRANSMISSION
EDJ = 2.2L 4 Cyl Turbo Diesel Engine
EDT = 2.4L 4 Cyl DOHC 16V Turbo Engine
EDV = 2.4L 4 Cyl DOHC 16V HO Turbo Engine
EDZ = 2.4L 4 Cyl DOHC 16V SMPI Engine
EJD = 1.6L 4 Cyl SOHC 16V SMPI
DGL = 4-Speed Automatic Transmission
DD5 = 5-Speed Manual Transmission
DDD = 5-Speed HD Manual Transmission

AR = use ase required - = Non illustrated part

2006 PT

Seat - Rear Attachments Floor Pan - 44 Body
Figure IPT-845



ITEM	PART NUMBER	QTY	LINE	SERIES	BODY	ENGINE	TRANS	TRIM	DESCRIPTION
		1	C		44			*P7	
		1	C		44			*E7	
		1	C		44			*CL	
-8									NUT
	05175657AA	1	C		44			*P7	
		1	C		44			*TL	
		1	C		44			*CL	
		1	C		44			*E7	
-9									BOLT
	05175659AA	1	C		44			*P7	
		1	C		44			*TL	
		1	C		44			*CL	
		1	C		44			*E7	
-10									SCREW, Seat
	05143451AA	1	C		44			*TL	
		1	C		44			*P7	
		1	C		44			*CL	
		1	C		44			*E7	

PT CRUISER (PT)

SERIES LINE
H = HIGHLINE C = CHRYSLER
P = PREMIUM Z = CHRYSLER (RHD)
S = SPORT
X = SPECIAL

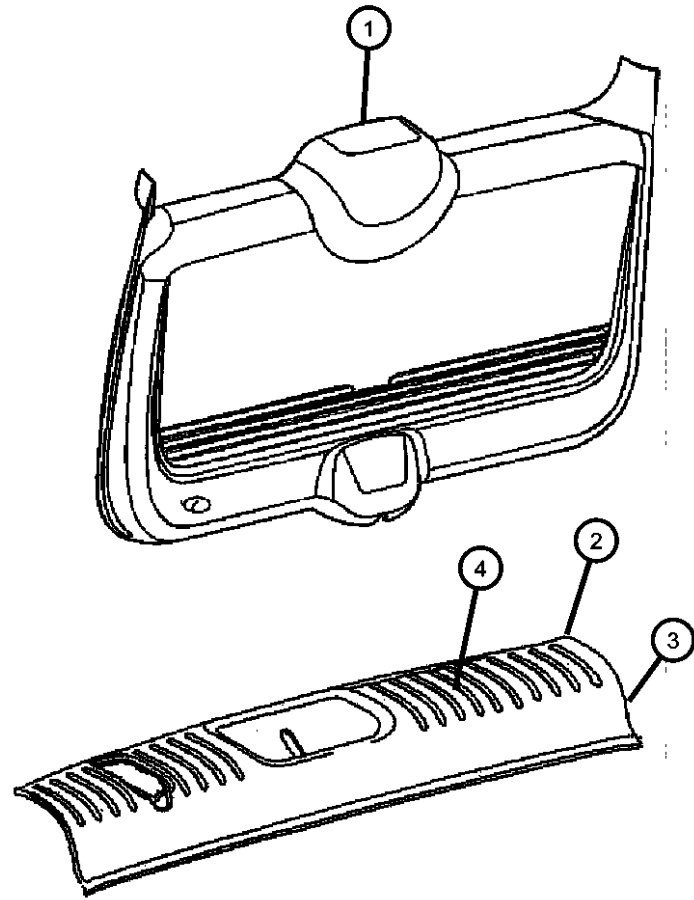
BODY
27 = 2-DR CONVERTIBLE
44 = HATCHBACK/QUAD
CAB CHASSIS LWB

ENGINE TRANSMISSION
EDJ = 2.2L 4 Cyl Turbo Diesel Engine
EDT = 2.4L 4 Cyl DOHC 16V Turbo Engine
EDV = 2.4L 4 Cyl DOHC 16V HO Turbo Engine
EDZ = 2.4L 4 Cyl DOHC 16V SMPI Engine
EJD = 1.6L 4 Cyl SOHC 16V SMPI
DGL = 4-Speed Automatic Transmission
DD5 = 5-Speed Manual Transmission
DDD = 5-Speed HD Manual Transmission

AR = use ase required - = Non illustrated part

2006 PT

Lifgate Panel and Scuff Plate - 27 Body
Figure IPT-1010



ITEM	PART NUMBER	QTY	LINE	SERIES	BODY	ENGINE	TRANS	TRIM	DESCRIPTION
1	0XC23BDAAA	1			27			*00	PANEL, Lifgate [DA]
	0XC23DKAAA	1			27			*00	[KA]
2	0XZ80BDAAA	1			27			*00	PLATE, Scuff [DA]
	0XZ80DKAAA	1			27			*00	[KA]
3	06505670AA	6			27				NUT, Plastic
4	0UB33BDAAA	1			27			*00	CLIP, Trim, Deck Lid Latch Attaching [DA]
	0UB33DKAAA	1			27			*00	[KA]

PT CRUISER (PT)

SERIES LINE
H = HIGHLINE C = CHRYSLER
P = PREMIUM Z = CHRYSLER (RHD)
S = SPORT
X = SPECIAL

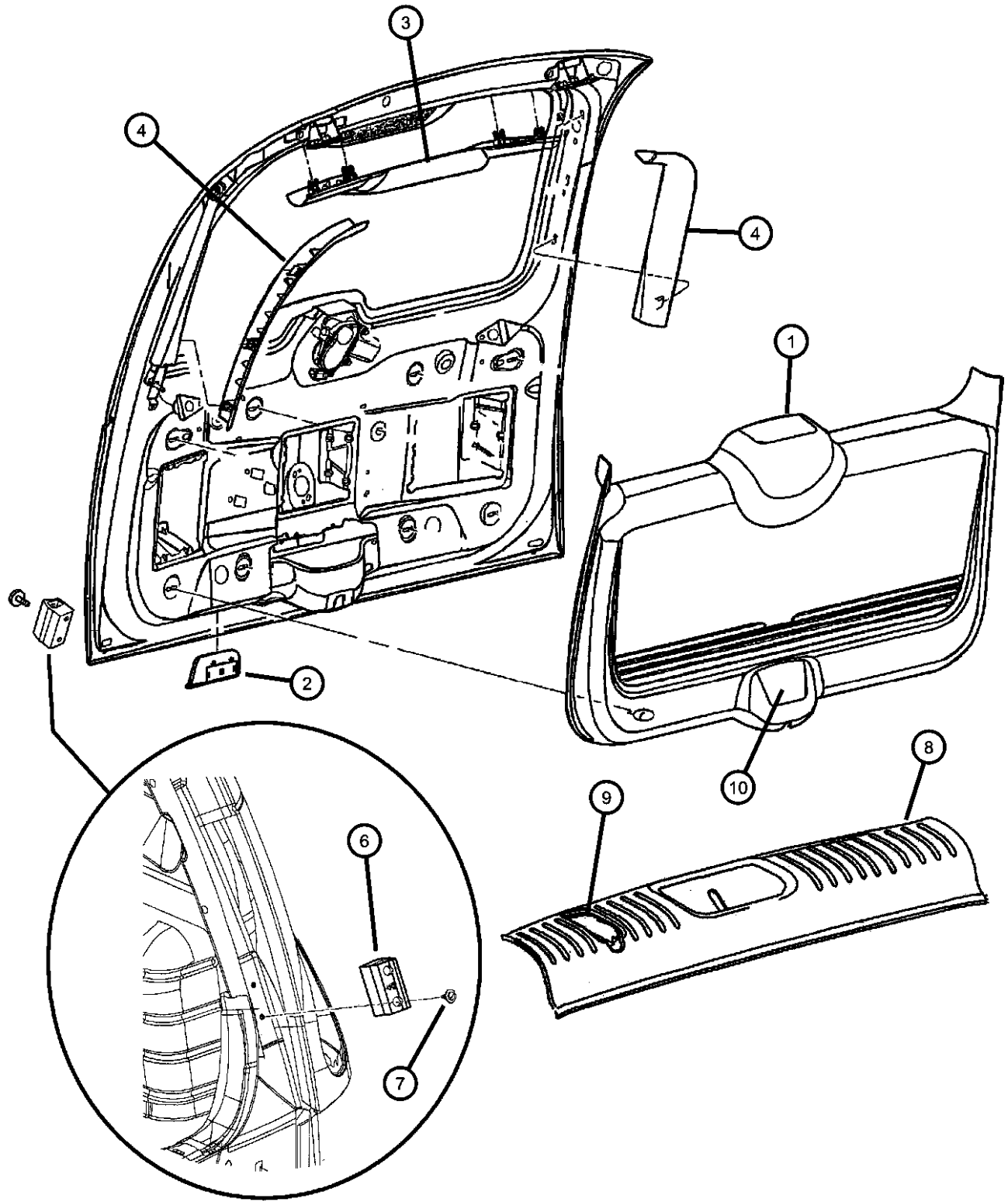
BODY
27 = 2-DR CONVERTIBLE
44 = HATCHBACK/QUAD
CAB CHASSIS LWB

ENGINE TRANSMISSION
EDJ = 2.2L 4 Cyl Turbo Diesel Engine DGL = 4-Speed Automatic Transmission
EDT = 2.4L 4 Cyl DOHC 16V Turbo Engine DD5 = 5-Speed Manual Transmission
EDV = 2.4L 4 Cyl DOHC 16V Turbo Engine DDD = 5-Speed HD Manual Transmission
HO Turbo Engine
EDZ = 2.4L 4 Cyl DOHC 16V SMPI Engine
EJD = 1.6L 4 Cyl SOHC 16V SMPI

AR = use ase required - = Non illustrated part

2006 PT

Liftgate Panel and Scuff Plate - 44 Body
Figure IPT-1020



ITEM	PART NUMBER	QTY	LINE	SERIES	BODY	ENGINE	TRANS	TRIM	DESCRIPTION
1	0RK04BDAAG	1			44			*O0	PANEL, Liftgate [DA]
	0RK04DKAAG	1			44			*O0	[KA]
2	0SG48BDAAB	1			44			*O0	CUP, Door Pull [DA]
	0SG48DKAAB	1			44			*O0	[KA]
3	0RK02DW1AE	1			44			*O0	COVER, Lamp Opening
4	0SF22DW1AE	1			44			*O0	MOLDING, Liftgate Right
	0SF23DW1AE	1			44			*O0	Left
-5	06503167	3			44			*O0	CLIP, Trim Panel
6	04724746AB	2			44				BUMPER, Rubber, Drain Trough Outer Stabilizer
7	06504432	4			44				SCREW, Pan Head, M6-1.00x29.00, Stabilizer To Trough
8	0RJ37BDAAH	1			44			*O0	PLATE, Scuff [DA]
	0RJ37DKAAH	1			44			*O0	[KA]
9	06505670AA	8							NUT, Plastic, Cargo Plate Sill Scuff
10	0UB33BDAAA	1			44			*O0	CLIP, Trim [DA]
	0UB33DKAAA	1			44			*O0	[KA]

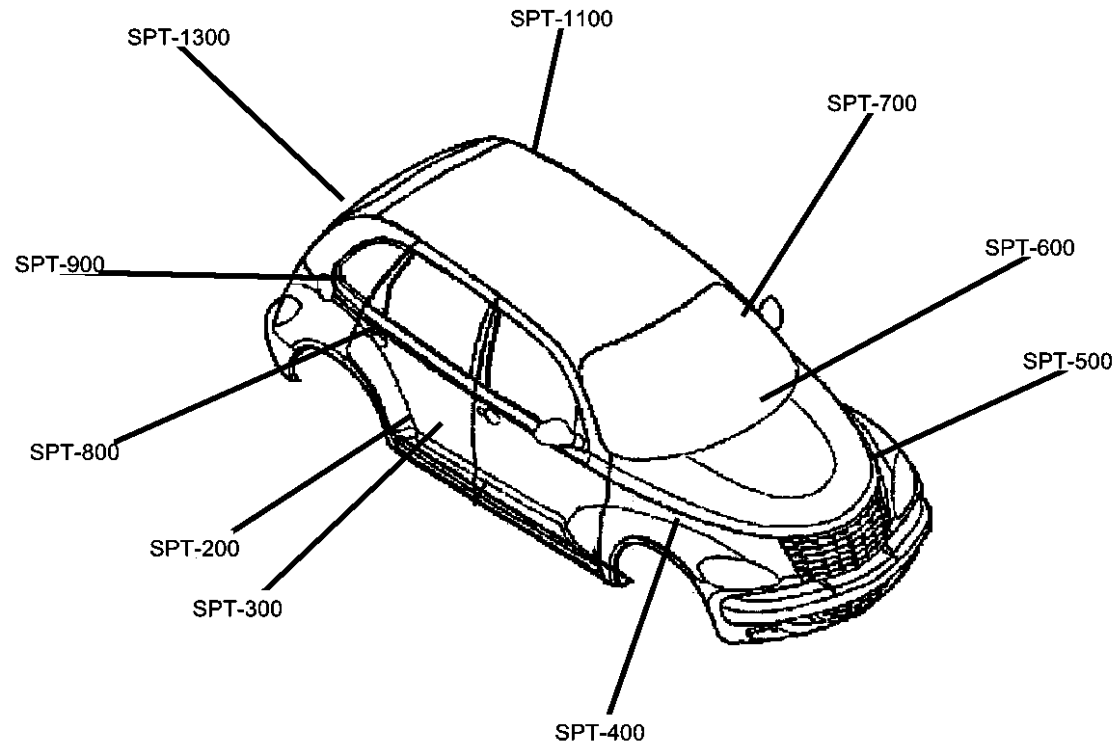
PT CRUISER (PT)

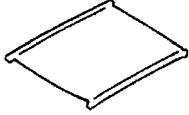

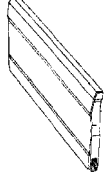
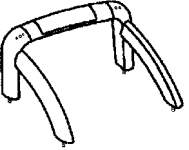
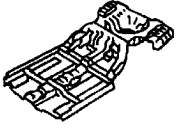


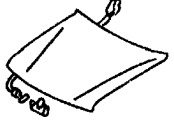
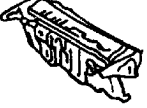

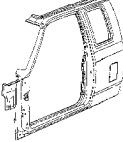
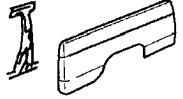
SERIES	LINE	BODY	ENGINE	TRANSMISSION
H = HIGHLINE	C = CHRYSLER	27 = 2-DR CONVERTIBLE	EDJ = 2.2L 4 Cyl Turbo Diesel Engine	DGL = 4-Speed Automatic Transmission
P = PREMIUM	Z = CHRYSLER (RHD)	44 = HATCHBACK/QUAD CAB CHASSIS LWB	EDT = 2.4L 4 Cyl DOHC 16V Turbo Engine	DD5 = 5-Speed Manual Transmission
S = SPORT			EDV = 2.4L 4 Cyl DOHC 16V HO Turbo Engine	DDD = 5-Speed HD Manual Transmission
X = SPECIAL			EDZ = 2.4L 4 Cyl DOHC 16V SMPI Engine	
			EJD = 1.6L 4 Cyl SOHC 16V SMPI	

AR = use ase required - = Non illustrated part

Group - SPT

Body Sheet Metal Except Doors



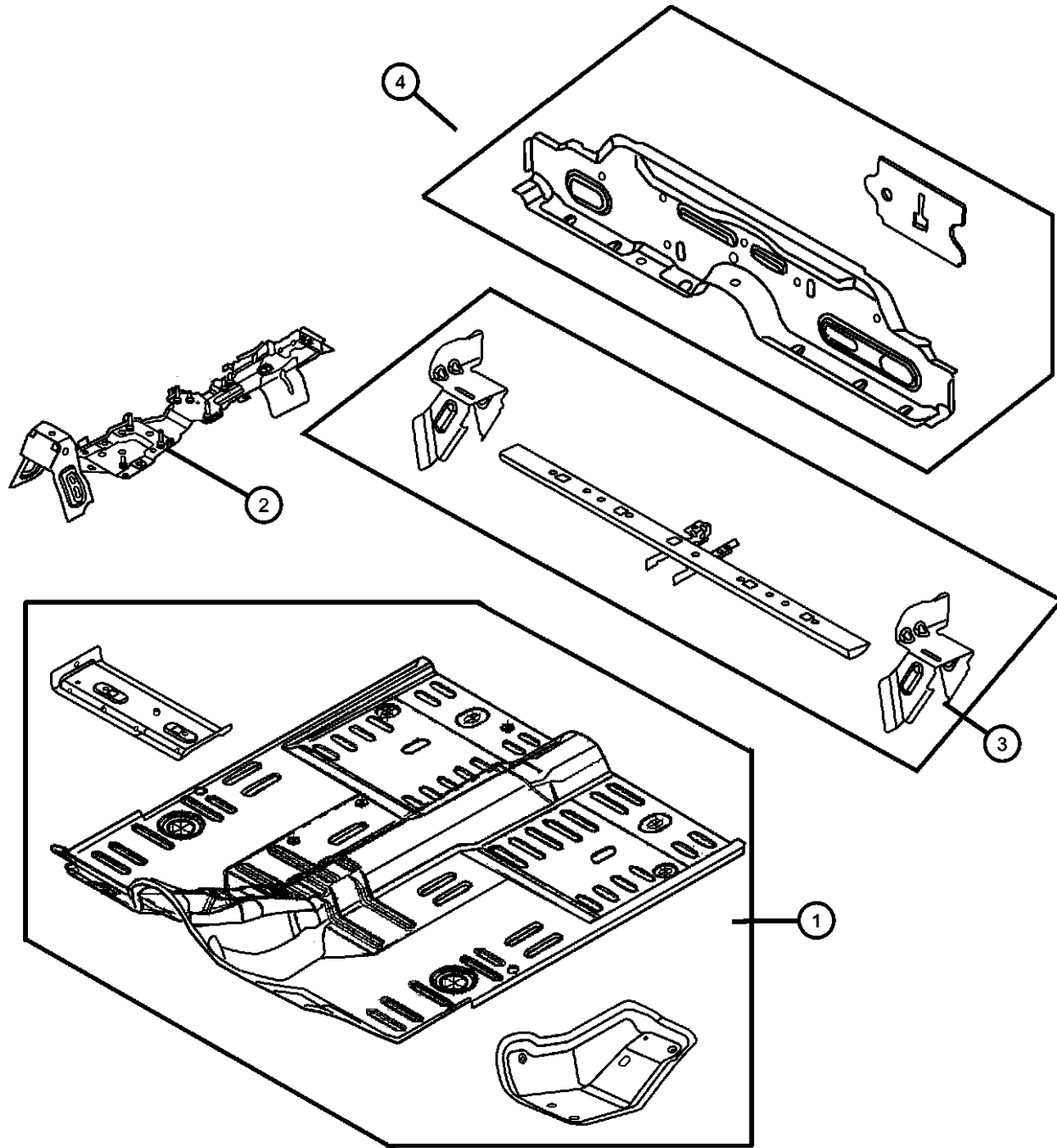
<p>SPT-1100 Roof Panels</p> 	<p>SPT-1200 Sunroof</p> 	<p>SPT-1300 Liftgate Panel</p> 	<p>SPT-1600 Luggage Rack</p> 
<p>SPT-200 Floor Pans</p> 	<p>SPT-300 Plugs</p> 	<p>SPT-400 Front Fenders</p> 	<p>SPT-500 Hood & Hood Release</p> 
<p>SPT-600 Cowl and Dash Panel</p> 	<p>SPT-700 Glass and Rear View Mirror</p> 	<p>SPT-800 Aperture Panel</p> 	<p>SPT-900 Quarter Panel and Pillars</p> 

Group - SPT Body Sheet Metal Except Doors

Illustration Title	Group-Fig. No.
Floor Pans	
Floor Pan - Front	Fig. SPT - 210
Floor Pan - Rear	Fig. SPT - 220
Rear Shelf & Floor Pan Area	Fig. SPT - 230
Plugs	
Plugs - Floor Pan	Fig. SPT - 310
Plugs - Body	Fig. SPT - 320
Front Fenders	
Fender - Front	Fig. SPT - 410
Shields - Fenders	Fig. SPT - 420
Hood & Hood Release	
Hood and Hood Release	Fig. SPT - 510
Seals and Weather Strips (Hood)	Fig. SPT - 520
Cowl and Dash Panel	
Cowl Panel and Screen	Fig. SPT - 610
Cowl Panel - Attaching Parts	Fig. SPT - 620
Panel Dash	Fig. SPT - 630
Glass and Rear View Mirror	
Windshield, Backlite and Mirror - 44 Body	Fig. SPT - 710
Windshield, Backlite, Quarter Window and Mirror - 27 Body	Fig. SPT - 715
Aperture Panel	
Panel Body Side Sill - 27 Body	Fig. SPT - 810
Frame Windshield - 27 Body	Fig. SPT - 815
Front Hinge Pillar - 27 Body	Fig. SPT - 820
Sport Bar - 27 Body	Fig. SPT - 825
Striker Front and Rear Door	Fig. SPT - 830
Sill Cover - 44 Body	Fig. SPT - 835
Aperture Panel - 44 Body	Fig. SPT - 840
Aperture Panels - 44 Body	Fig. SPT - 845
B Pillar - 44 Body	Fig. SPT - 850
Quarter Panel and Pillars	
Quarter Panel - 27 Body	Fig. SPT - 910
Quarter Panel - 44 Body	Fig. SPT - 915
Fuel Filler Door	Fig. SPT - 920
Roof Panels	
Roof Panel - 44 Body	Fig. SPT - 1110
Convertible Motor and Weatherstrips	Fig. SPT - 1115
Convertible Top and Latch Assembly	Fig. SPT - 1120
Rail System, Header, Cables and Attaching Screws	Fig. SPT - 1125
Top Well Convertible Top	Fig. SPT - 1130
Convertible Top - Attaching Parts	Fig. SPT - 1135
Sunroof	
Sunroof	Fig. SPT - 1210
Sunroof Drain Hoses	Fig. SPT - 1220
Liftgate Panel	
Spoiler	Fig. SPT - 1305
Liftgate Panel	Fig. SPT - 1310
Liftgate Hardware - 44 Body	Fig. SPT - 1320
Decklid - 27 body	Fig. SPT - 1325
Luggage Rack	
Luggage Rack	Fig. SPT - 1610

Floor Pan - Front
Figure SPT-210

ITEM	PART NUMBER	QTY	LINE	SERIES	BODY	ENGINE	TRANS	TRIM	DESCRIPTION
1	05179454AA	1							PAN, Front Floor
2	05027979AD	1							BRACKET, Floor Console
3	05017435AD	1							BEAM, Front Floor Pan
4	05027377AC	1							CROSSMEMBER, Rear Floor
-5	05027791AD	1							REINFORCEMENT, Floor Pan, Kickup, Front, Floor Pan
-6	05027004AD	1			44				BRACKET, Rear Seat



PT CRUISER (PT)

SERIES LINE
H = HIGHLINE C = CHRYSLER
P = PREMIUM Z = CHRYSLER (RHD)
S = SPORT
X = SPECIAL

BODY
27 = 2-DR CONVERTIBLE
44 = HATCHBACK/QUAD
CAB CHASSIS LWB

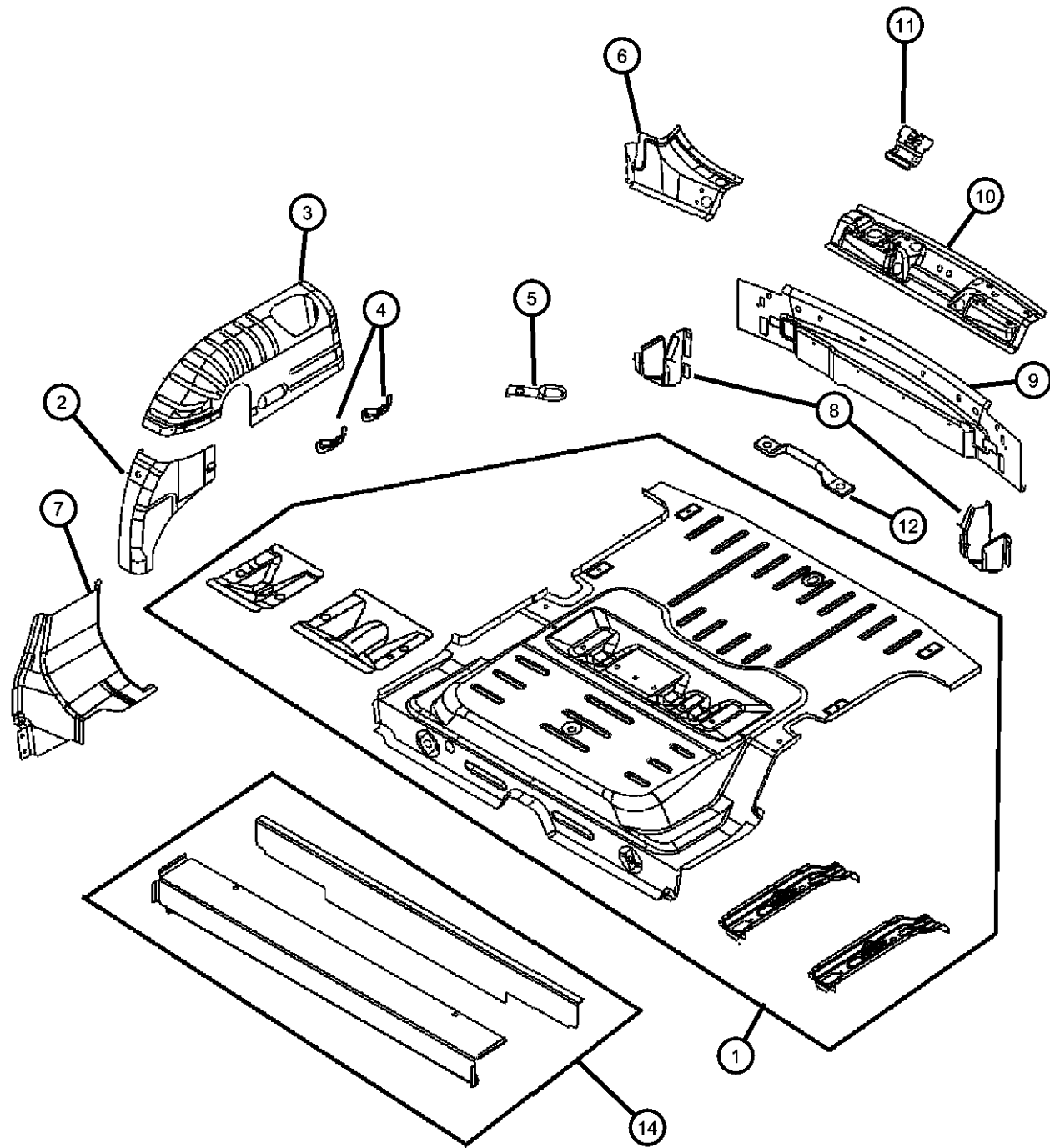
ENGINE
EDJ = 2.2L 4 Cyl Turbo Diesel Engine
EDT = 2.4L 4 Cyl DOHC 16V Turbo Engine
EDV = 2.4L 4 Cyl DOHC 16V HO Turbo Engine
EDZ = 2.4L 4 Cyl DOHC 16V SMPI Engine
EJD = 1.6L 4 Cyl SOHC 16V SMPI

TRANSMISSION
DGL = 4-Speed Automatic Transmission
DD5 = 5-Speed Manual Transmission
DDD = 5-Speed HD Manual Transmission

AR = use ase required - = Non illustrated part

2006 PT

Floor Pan - Rear
Figure SPT-220



ITEM	PART NUMBER	QTY	LINE	SERIES	BODY	ENGINE	TRANS	TRIM	DESCRIPTION
1	05016289AE	1							PAN, Rear Floor
2									EXTENSION, Wheel House
	05017436AB	1							Right
	05017437AB	1							Left
3									PANEL, Rear Wheelhouse
	04724594AE	1							Right
	04724595AE	1							Left
4	05027009AB	3			44				BRACKET, Wheel House
5	05027006AB	2							LOOP, Cargo Tie Down
6									PANEL, Liftgate Opening Lower
	04724584AA	1							Right
	04724585AA	1							Left
7									REINFORCEMENT, Floor Pan
	04724576AB	1							Right
	05067406AC	1			27				Left
	05067407AC	1			27				Left
8									REINFORCEMENT, Rear Floor
	04724861AA	1							Pan Closure To Spare Tire Closure
	04724860AA	1							Left
	04724861AA	1							Right
9	04724575AB	1							PANEL, Rear Closure
10	05017774AB	1	C, Z		27, 44				PANEL, Liftgate Opening Lower
11	04724583AC	1							TAPPING PLATE, Striker
12									STRIKER, Rear Seat
	04724978AE	1			44				Right
	04724979AE	1			44				Left
	05067536AA	1			27				
-13	05027804AA	2							TAPPING PLATE, Sway Bar
14	05067408AB	1			27				REINFORCEMENT, Rear Floor Pan

PT CRUISER (PT)

SERIES LINE
H = HIGHLINE C = CHRYSLER
P = PREMIUM Z = CHRYSLER (RHD)
S = SPORT
X = SPECIAL

BODY
27 = 2-DR CONVERTIBLE
44 = HATCHBACK/QUAD
CAB CHASSIS LWB

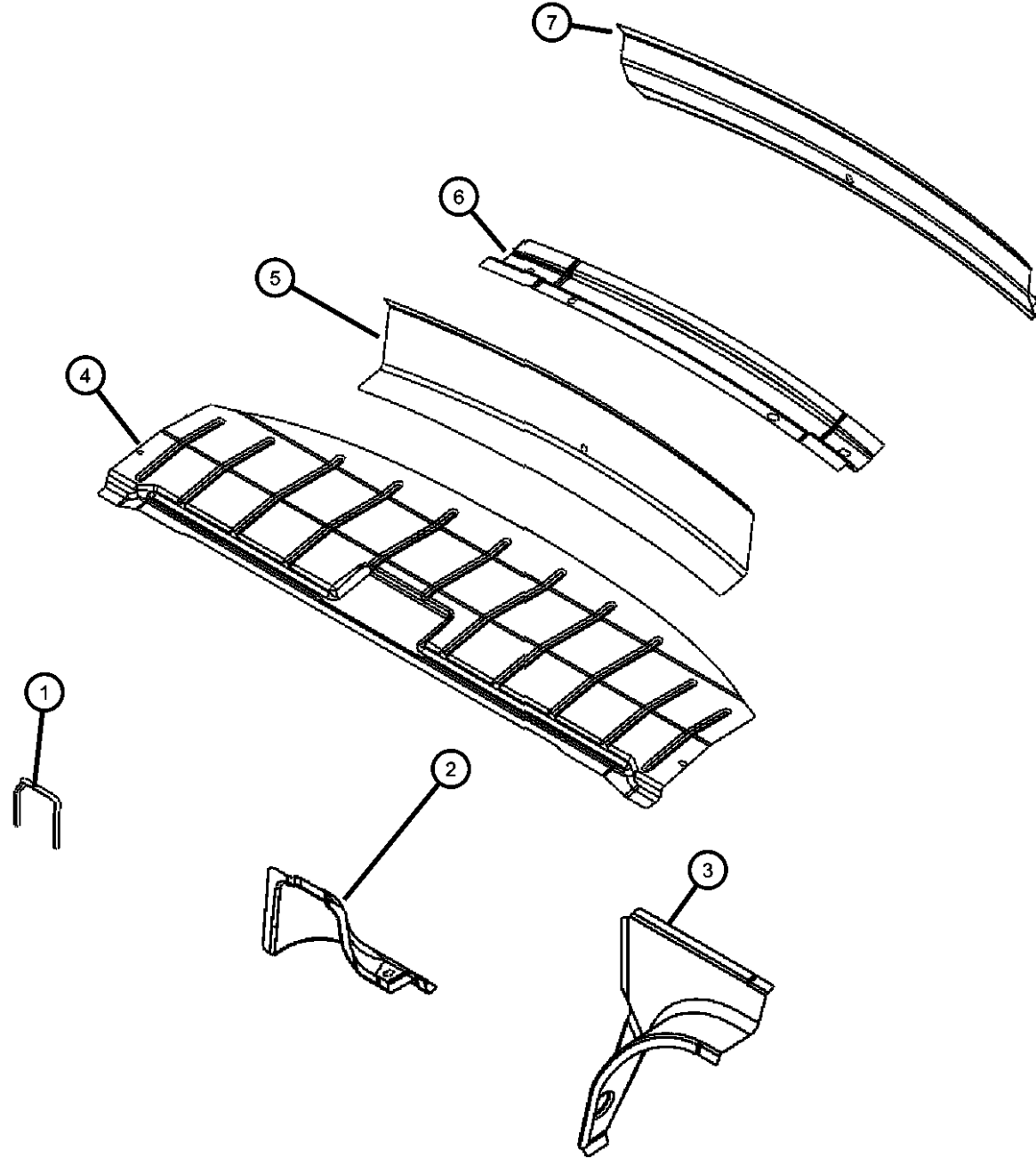
ENGINE TRANSMISSION
EDJ = 2.2L 4 Cyl Turbo Diesel Engine DGL = 4-Speed Automatic Transmission
EDT = 2.4L 4 Cyl DOHC 16V Turbo Engine DD5 = 5-Speed Manual Transmission
EDV = 2.4L 4 Cyl DOHC 16V HO Turbo Engine DDD = 5-Speed HD Manual Transmission
EDZ = 2.4L 4 Cyl DOHC 16V SMPI Engine
EJD = 1.6L 4 Cyl SOHC 16V SMPI

AR = use ase required - = Non illustrated part

2006 PT

**Rear Shelf & Floor Pan Area
Figure SPT-230**

ITEM	PART NUMBER	QTY	LINE	SERIES	BODY	ENGINE	TRANS	TRIM	DESCRIPTION
1	05067374AA	1			27				RETAINER, Seat Belt to Seat
2	05067466AB	1			27				PANEL, Shelf Bulkhead Right
	05067467AB	1			27				Left
3	05067372AA	1			27				REINFORCEMENT, Wheelhouse Right
	05067373AA	1			27				Left
4	05067355AA	1	C		27				PANEL, Shelf
5	05067379AC	1			27				REINFORCEMENT, Shelf Panel, To Drain Trough Upper
6	05067358AA	1	C		27				TROUGH, Drip, Shelf Panel to Decklid Upper Drain Trough Lower
7	05067357AA	1	C		27				TROUGH, Drip, Shelf Panel to Decklid Upper Drain



PT CRUISER (PT)

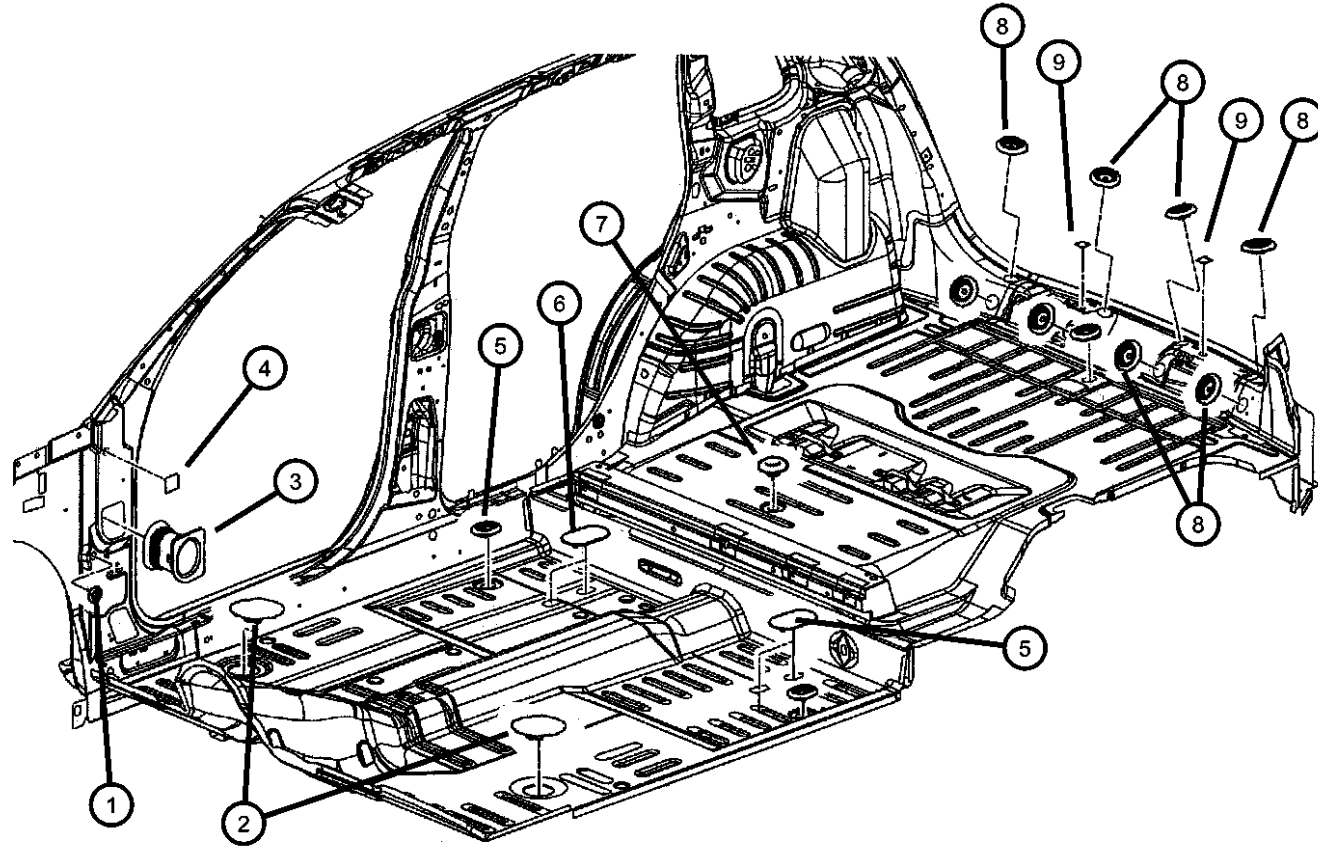
SERIES	LINE	BODY	ENGINE	TRANSMISSION
H = HIGHLINE	C = CHRYSLER	27 = 2-DR CONVERTIBLE	EDJ = 2.2L 4 Cyl Turbo Diesel Engine	DGL = 4-Speed Automatic Transmission
P = PREMIUM	Z = CHRYSLER (RHD)	44 = HATCHBACK/QUAD CAB CHASSIS LWB	EDT = 2.4L 4 Cyl DOHC 16V Turbo Engine	DD5 = 5-Speed Manual Transmission
S = SPORT			EDV = 2.4L 4 Cyl DOHC 16V HO Turbo Engine	DDD = 5-Speed HD Manual Transmission
X = SPECIAL			EDZ = 2.4L 4 Cyl DOHC 16V SMPI Engine	
			EJD = 1.6L 4 Cyl SOHC 16V SMPI	

AR = use ase required - = Non illustrated part

2006 PT

Plugs - Floor Pan
Figure SPT-310

ITEM	PART NUMBER	QTY	LINE	SERIES	BODY	ENGINE	TRANS	TRIM	DESCRIPTION
1	04440294	1							PLUG, B/S/A C-Pillar Gage Slot, Lower
2									PLUG, Body, .75 Diameter
	04674441	2			44				
		2			27				
3									PLUG, Cowl Side
	05027154AA	1							To Hinge Pillar, Right
	05027155AA	1							To Hinge Pillar, Left
4	02860332	2							PLUG, Anti-Rattle
5	04780194	2							PLUG, Drain, Floor Pan
6	06004507	2							PLUG, Body, 25.4mm x 38.1mm, Floor pan
7	04780194	2							PLUG
8	04780194	2							PLUG, Dash Panel, 35mm Diameter, (NOT SERVICED)
9	55364097AA	2							TAPE



PT CRUISER (PT)

SERIES LINE
H = HIGHLINE C = CHRYSLER
P = PREMIUM Z = CHRYSLER (RHD)
S = SPORT
X = SPECIAL

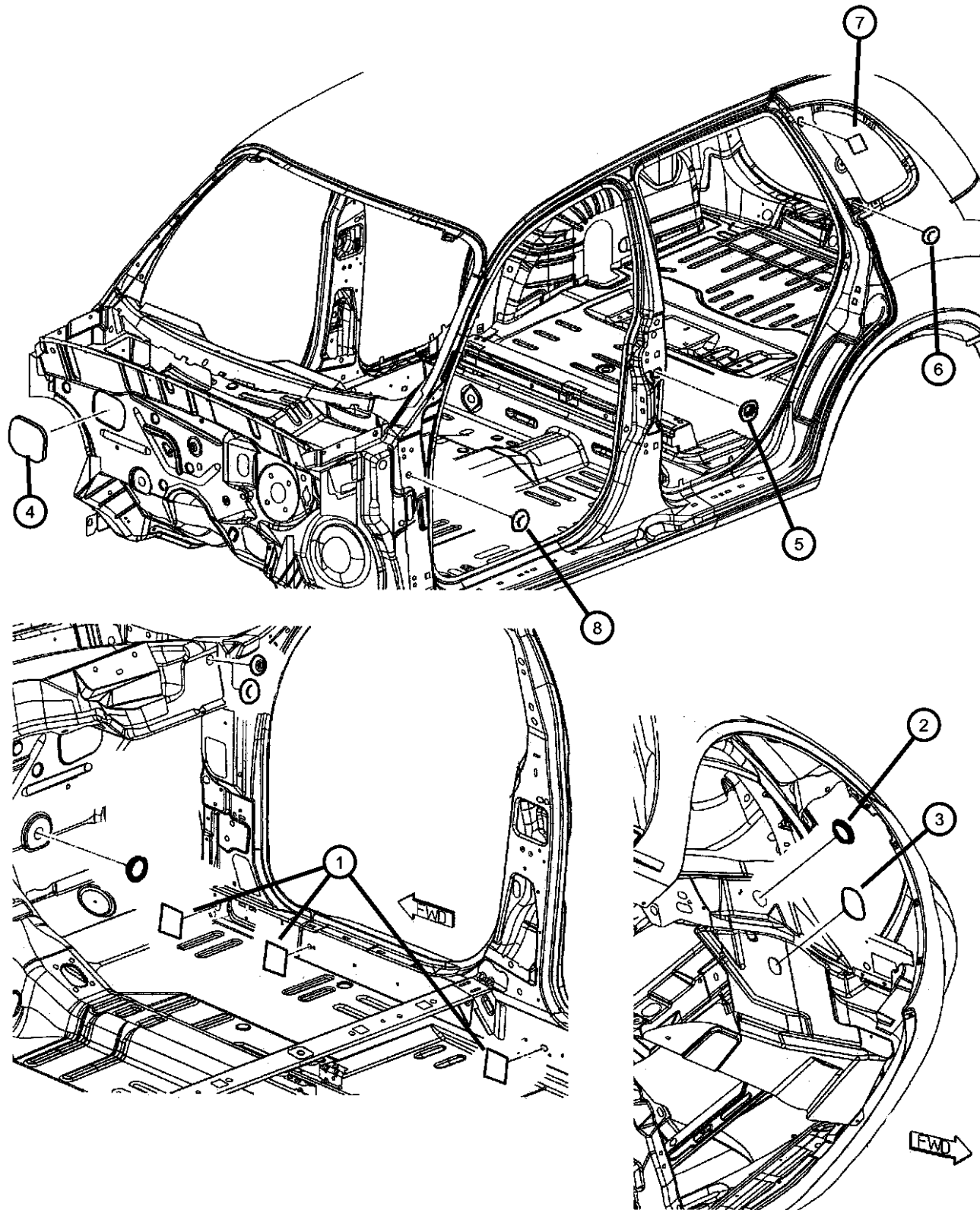
BODY
27 = 2-DR CONVERTIBLE
44 = HATCHBACK/QUAD
CAB CHASSIS LWB

ENGINE TRANSMISSION
EDJ = 2.2L 4 Cyl Turbo Diesel Engine
EDT = 2.4L 4 Cyl DOHC 16V Turbo Engine
EDV = 2.4L 4 Cyl DOHC 16V HO Turbo Engine
EDZ = 2.4L 4 Cyl DOHC 16V SMPI Engine
EJD = 1.6L 4 Cyl SOHC 16V SMPI
DGL = 4-Speed Automatic Transmission
DD5 = 5-Speed Manual Transmission
DDD = 5-Speed HD Manual Transmission

AR = use ase required - = Non illustrated part

2006 PT

**Plugs - Body
Figure SPT-320**



ITEM	PART NUMBER	QTY	LINE	SERIES	BODY	ENGINE	TRANS	TRIM	DESCRIPTION
1	55364097AA	2							TAPE
2	06029057	2							PLUG, Body, 1.655 Diameter, Rail Reinforcement Engine Mounting
3									PLUG, Door Latch
	55002368	2							Front
		2							Rear
4		2							PATCH, Dash Evaporator Hole, (NOT SERVICED)
5									PLUG
	04860223	2			44				
		1			27				
6	06029057	2							PLUG, Body, 1.655 Diameter, Rail Reinforcement
7	02811825	1							PLUG, Splash Shield, C-Pillar
8									PLUG, Body, .75 Diameter
	04674441	2			44				
		2			27				

PT CRUISER (PT)

SERIES LINE
H = HIGHLINE C = CHRYSLER
P = PREMIUM Z = CHRYSLER (RHD)
S = SPORT
X = SPECIAL

BODY
27 = 2-DR CONVERTIBLE
44 = HATCHBACK/QUAD
CAB CHASSIS LWB

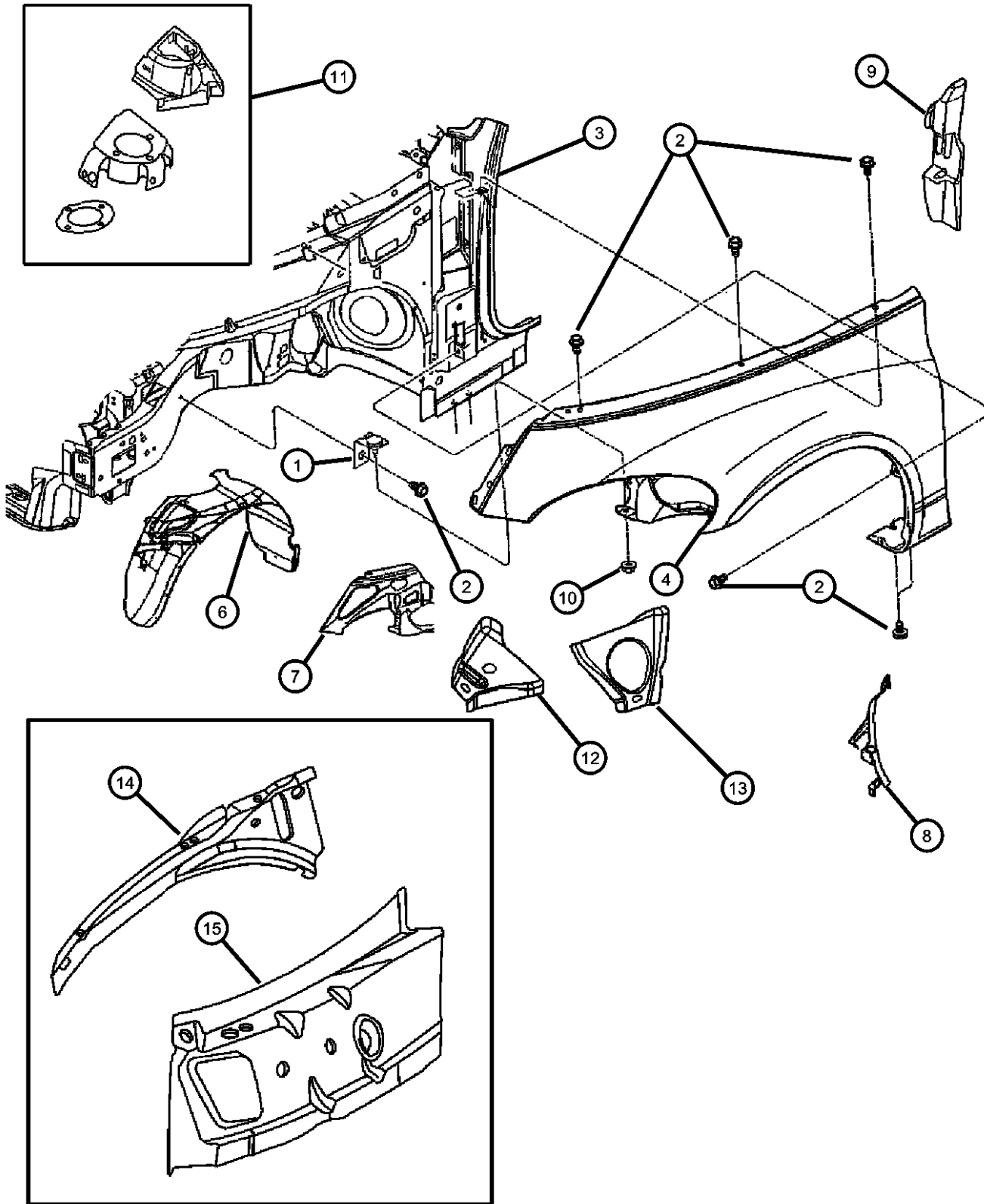
ENGINE
EDJ = 2.2L 4 Cyl Turbo Diesel Engine
EDT = 2.4L 4 Cyl DOHC 16V Turbo Engine
EDV = 2.4L 4 Cyl DOHC 16V HO Turbo Engine
EDZ = 2.4L 4 Cyl DOHC 16V SMPI Engine
EJD = 1.6L 4 Cyl SOHC 16V SMPI

TRANSMISSION
DGL = 4-Speed Automatic Transmission
DD5 = 5-Speed Manual Transmission
DDD = 5-Speed HD Manual Transmission

AR = use ase required - = Non illustrated part

2006 PT

Fender - Front
Figure SPT-410



ITEM	PART NUMBER	QTY	LINE	SERIES	BODY	ENGINE	TRANS	TRIM	DESCRIPTION
------	-------------	-----	------	--------	------	--------	-------	------	-------------

Sales Codes
 [LMF] = Side Repeater Lens
 [RDB] = Removable Short Mast Antena
 [RDD] = Fixed Long Mast Antena

1	05027109AB	2							SUPPORT, Headlamp
2	06100286	6							BOLT AND CONED WASHER, Hex Head, M6x20x20, Fender To Support
3	06101712	6							NUT, U, M6x1.00, Fender To Load Beam
4									FENDER, Front
	05015484AE	1	C		27				LHD Only With Antenna Hole Without Side Marker Lamp, Right
		1	C		44				With [RDD], Right
	05015485AE	1	C		27				Without Side Repeater Lamp Hole, Left
		1	C		27				LHD Only With Antenna Hole Without Side Marker Lamp, Left
		1	C		44				With [RDD], Left
		1			44				With [RDB] [LMF], Left
	05015486AE	1			44				With [RDB] [LMF], Right
		1	Z		27				Right
	05015487AD	1	Z		27				Left
	05139960AB	1	C		27				With Side Repeater Lamp Hole, Right
	05139961AB	1	C		27				With Side Repeater Lamp Hole, Left
-5	04724532AA	2							BRACKET, Fender Mounting Rear, L-Shaped Bracket
6									SHIELD, Wheelhouse
	05152054AA	1							Right, Front
	05152055AA	1							Left, Front
7									PANEL, Headlamp Closure
	04724548AC	1							Right
	04724549AC	1							Left
8	04724549AC	1							REINFORCEMENT, Serviced With Fender Item 4 Only, (NOT SERVICED)

PT CRUISER (PT)

SERIES LINE
 H = HIGHLINE C = CHRYSLER
 P = PREMIUM Z = CHRYSLER (RHD)
 S = SPORT
 X = SPECIAL

BODY
 27 = 2-DR CONVERTIBLE
 44 = HATCHBACK/QUAD
 CAB CHASSIS LWB

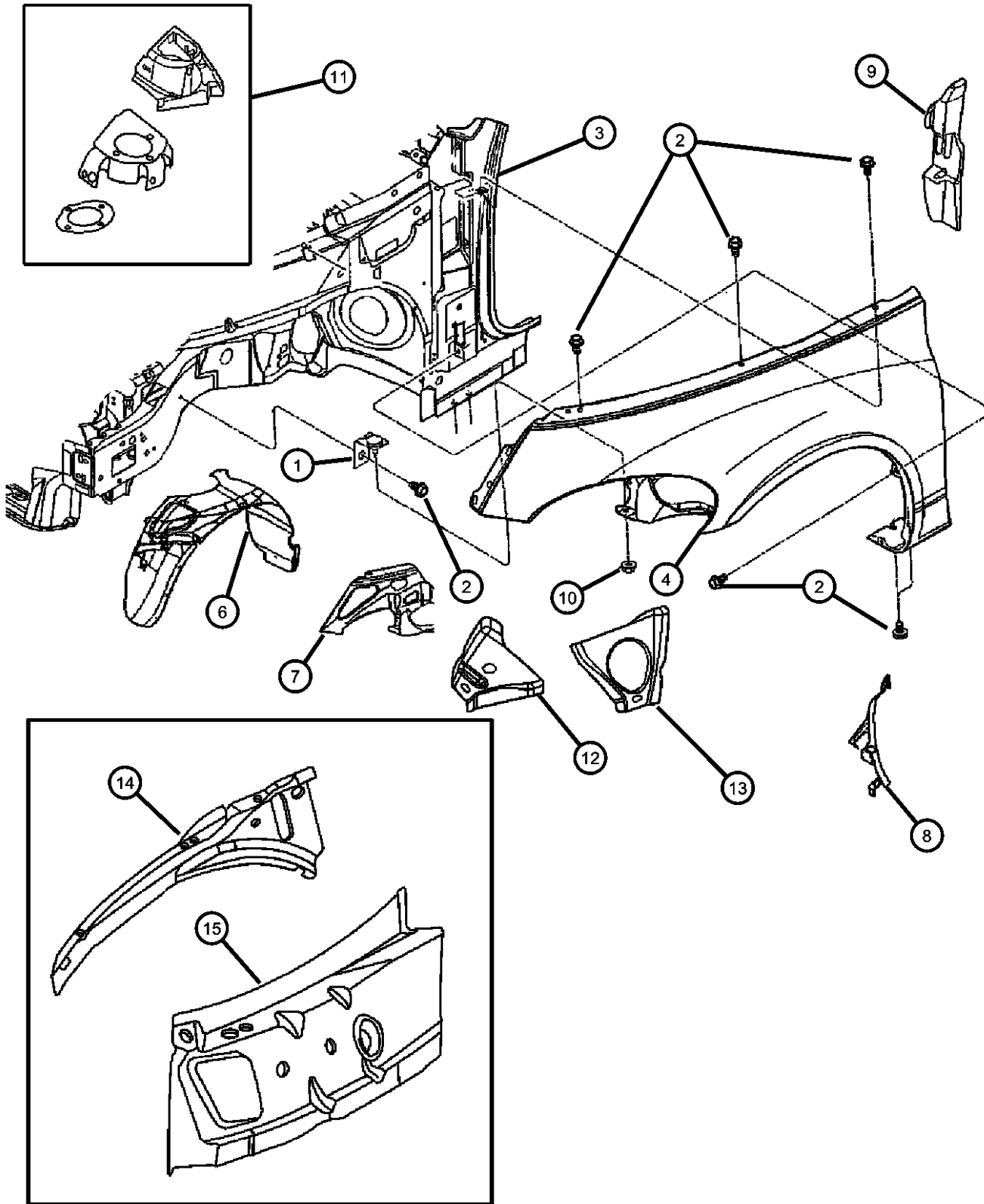
ENGINE
 EDJ = 2.2L 4 Cyl Turbo Diesel Engine
 EDT = 2.4L 4 Cyl DOHC 16V Turbo Engine
 EDV = 2.4L 4 Cyl DOHC 16V HO Turbo Engine
 EDZ = 2.4L 4 Cyl DOHC 16V SMPI Engine
 EJD = 1.6L 4 Cyl SOHC 16V SMPI

TRANSMISSION
 DGL = 4-Speed Automatic Transmission
 DD5 = 5-Speed Manual Transmission
 DDD = 5-Speed HD Manual Transmission

AR = use ase required - = Non illustrated part

2006 PT

Fender - Front
Figure SPT-410



ITEM	PART NUMBER	QTY	LINE	SERIES	BODY	ENGINE	TRANS	TRIM	DESCRIPTION
9									SILENCER, Fender to Hinge Pillar
	05027026AA	1							Right
	05027027AA	1							Left
10	06101447	2							NUT AND WASHER, M6x1.00
11									PANEL PACKAGE, Front Strut Mounting
	05016290AC	1							Right
	05016291AC	1							Left
12	04724520AB	1							PANEL, Fender Side ShieldRight
13	04724521AB	1							PANEL, Fender Side ShieldLeft
14									BEAM, Upper Load Path
	04724490AD	1							Right
	04724491AD	1							Left
15									BEAM, Upper Load Path
	04724492AE	1							Right
	04724493AE	1							Left

PT CRUISER (PT)

SERIES LINE
H = HIGHLINE C = CHRYSLER
P = PREMIUM Z = CHRYSLER (RHD)
S = SPORT
X = SPECIAL

BODY
27 = 2-DR CONVERTIBLE
44 = HATCHBACK/QUAD
CAB CHASSIS LWB

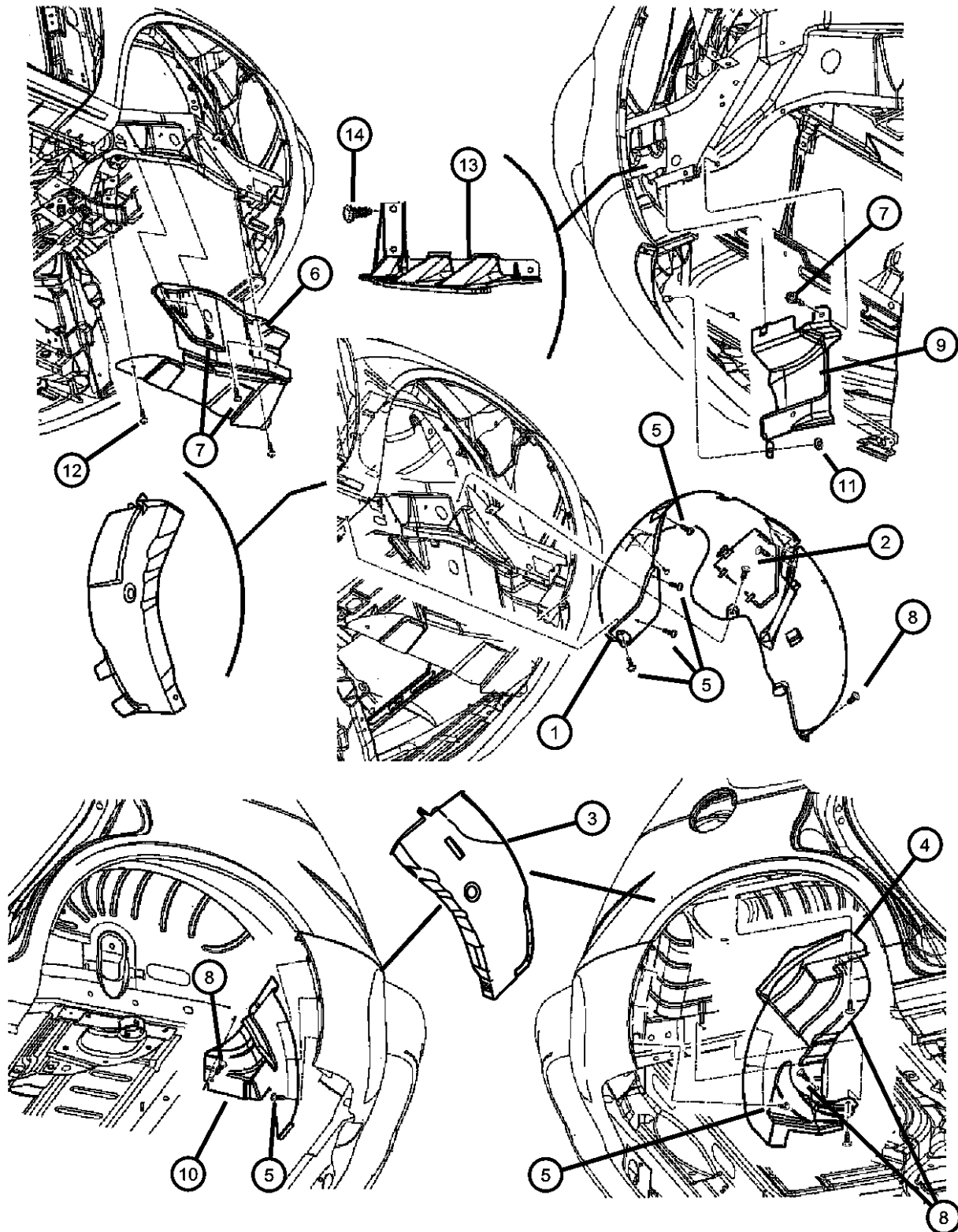
ENGINE
EDJ = 2.2L 4 Cyl Turbo Diesel Engine
EDT = 2.4L 4 Cyl DOHC 16V Turbo Engine
EDV = 2.4L 4 Cyl DOHC 16V HO Turbo Engine
EDZ = 2.4L 4 Cyl DOHC 16V SMPI Engine
EJD = 1.6L 4 Cyl SOHC 16V SMPI

TRANSMISSION
DGL = 4-Speed Automatic Transmission
DD5 = 5-Speed Manual Transmission
DDD = 5-Speed HD Manual Transmission

AR = use ase required - = Non illustrated part

2006 PT

Shields - Fenders
Figure SPT-420



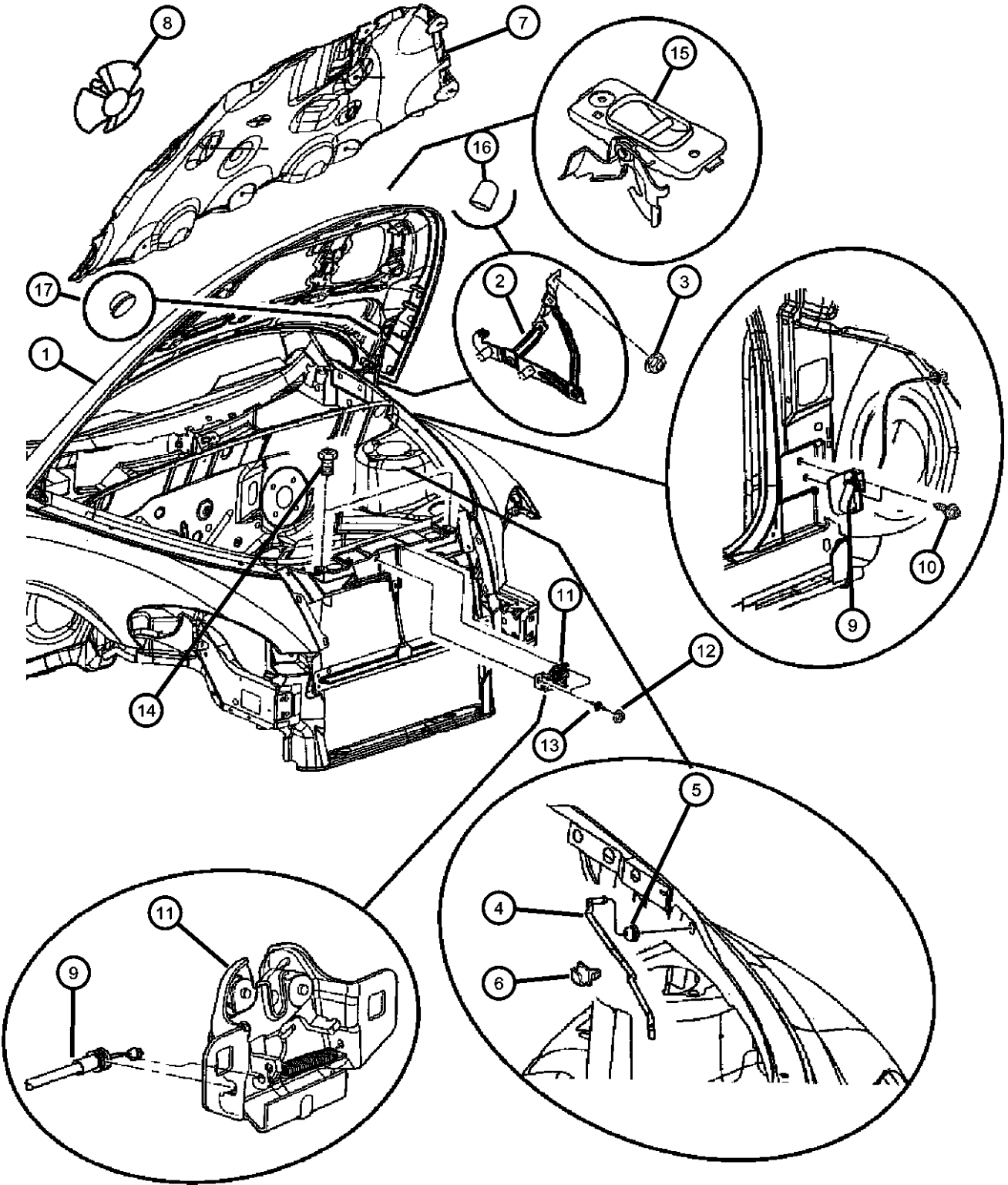
ITEM	PART NUMBER	QTY	LINE	SERIES	BODY	ENGINE	TRANS	TRIM	DESCRIPTION
1	05152054AA	1							SHIELD, Wheelhouse Stone guard included, Right
	05152055AA	1							Stone guard included, Left
2	05027930AA	1							PANEL, Wheelhouse Right
	05027931AA	1							Left
3	05027678AB	1							SHIELD, Wheelhouse Rear Inner Splash Front, Right
	05027679AB	1							Rear Inner Splash Front, Left
4	04724716AA	1							SHIELD, SplashRight, Rear Wheel/House
5	06507010AA	2							NUT, U Multi Thread, M4.2x1.41, Stone Guard, Front Fender
6	05027738AB	1							SHIELD, Accessory Drive Right
	05027739AB	1							Left
7	06102132AA	1							SCREW, Hex Head, M6x1x20
8	06030441	4							PIN, Retainer
9	05116060AB	1							SHIELD, Accessory Drive Front Side Rail Accessory Pulley, Right
	05116061AB	1							Front Side Rail Otr Air Gas, Left
10	04724717AA	1							SHIELD, SplashLeft Rear
11	04724717AA	1							NUT, Spring, Push-On (.312 Diameter Stud), (NOT SERVICED)
12	06102152AA	4							SCREW, Tapping Hex Flange Head, M6.3x1.81x20.00
13	04891785AA	1							SHIELD, Air Cleaner
14	06030441	4							PIN, Retainer

PT CRUISER (PT)

SERIES	LINE	BODY	ENGINE	TRANSMISSION
H = HIGHLINE	C = CHRYSLER	27 = 2-DR CONVERTIBLE	EDJ = 2.2L 4 Cyl Turbo Diesel Engine	DGL = 4-Speed Automatic Transmission
P = PREMIUM	Z = CHRYSLER (RHD)	44 = HATCHBACK/QUAD CAB CHASSIS LWB	EDT = 2.4L 4 Cyl DOHC 16V Turbo Engine	DD5 = 5-Speed Manual Transmission
S = SPORT			EDV = 2.4L 4 Cyl DOHC 16V HO Turbo Engine	DDD = 5-Speed HD Manual Transmission
X = SPECIAL			EDZ = 2.4L 4 Cyl DOHC 16V SMPI Engine	
			EJD = 1.6L 4 Cyl SOHC 16V SMPI	

AR = use ase required - = Non illustrated part

Hood and Hood Release Figure SPT-510



ITEM	PART NUMBER	QTY	LINE	SERIES	BODY	ENGINE	TRANS	TRIM	DESCRIPTION
------	-------------	-----	------	--------	------	--------	-------	------	-------------

Note: Sales Code
 [EDJ] = 2.2L 4 Cyl Turbo Diesel
 [HGD] = Insulation - Deluxe

1	05067639AB	1							HOOD
2	04724540AB	1							HINGE, Hood Right
	04724541AB	1							Left
3	06101445	1							NUT AND WASHER, Hex Nut-Coned Washer, M8 x 1.25, Hood Hinge to Hood Inner PROP, Hood
4	05027521AE	1							BUSHING, Hood Prop Rod Pivot
5	05027549AA	1							CLIP, Prop Rod
6	05027550AC	1							SILENCER, Hood
7	04724800AC	1							With [EDJ]
	05152085AA	1							
8	04878883AA	10	C						PIN, Push, Hood Silencer to Hood Inner Panel Attaching
9	04725000AA	1	C						RELEASE, Hood Latch
10	06102059AA	2							SCREW
11	55255451AC	1							LATCH, Hood
12	06502676	3							NUT, Hex, M6x1.00
13	06102001	2							BOLT AND WASHER, M6x12
14	04696592	2							BUMPER, Hood
15	55257390AA	1							STRIKER, Hood Latch
16	05027973AA	2							CAP
17	05027908AA	1							PLUG, Hood

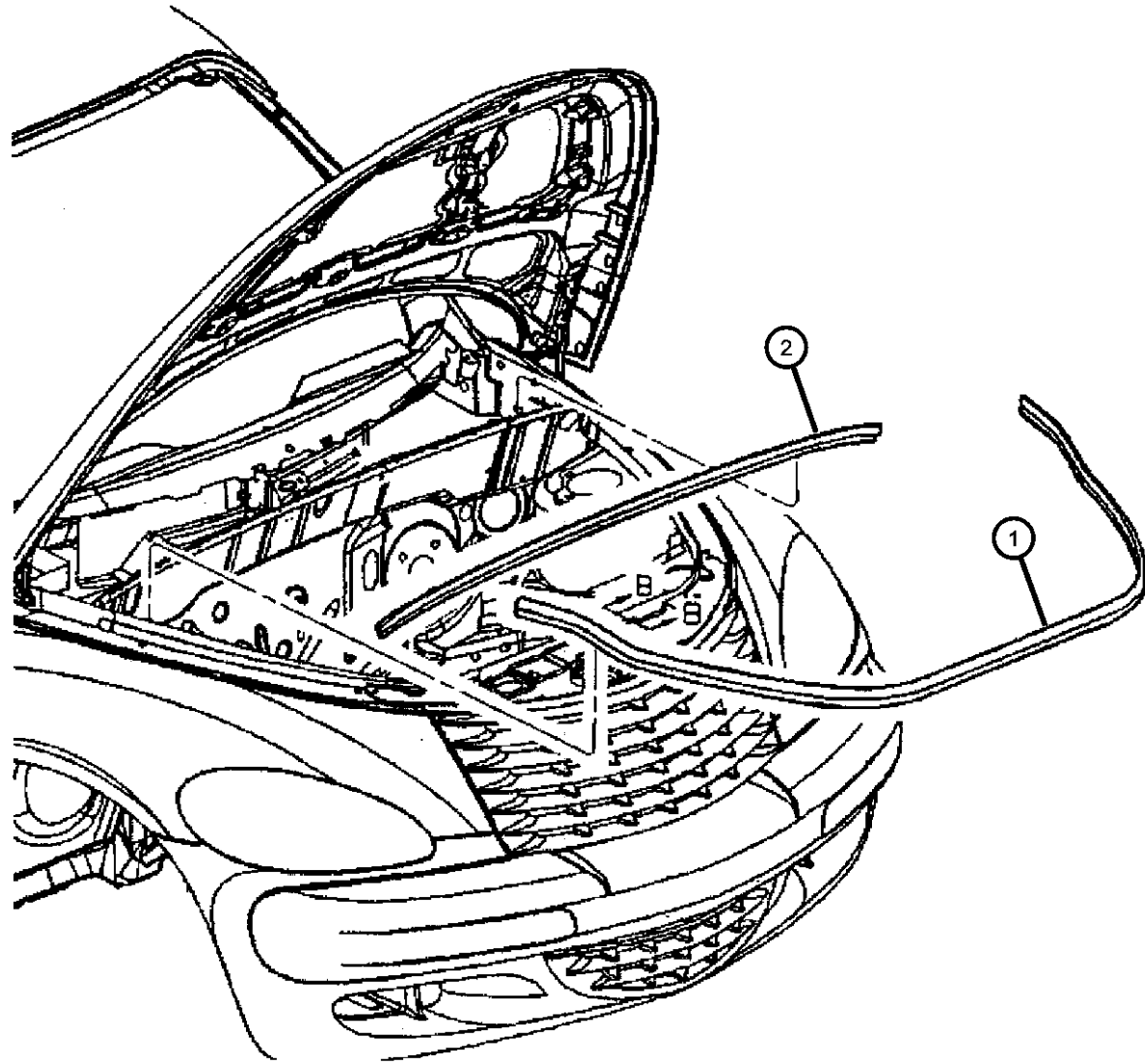
PT CRUISER (PT)

SERIES H = HIGHLINE P = PREMIUM S = SPORT X = SPECIAL	LINE C = CHRYSLER Z = CHRYSLER (RHD)	BODY 27 = 2-DR CONVERTIBLE 44 = HATCHBACK/QUAD CAB CHASSIS LWB	ENGINE EDJ = 2.2L 4 Cyl Turbo Diesel Engine EDT = 2.4L 4 Cyl DOHC 16V Turbo Engine EDV = 2.4L 4 Cyl DOHC 16V HO Turbo Engine EDZ = 2.4L 4 Cyl DOHC 16V SMPI Engine EJD = 1.6L 4 Cyl SOHC 16V SMPI	TRANSMISSION DGL = 4-Speed Automatic Transmission DD5 = 5-Speed Manual Transmission DDD = 5-Speed HD Manual Transmission
---	--	---	--	---

AR = use ase required - = Non illustrated part

**Seals and Weather Strips (Hood)
Figure SPT-520**

ITEM	PART NUMBER	QTY	LINE	SERIES	BODY	ENGINE	TRANS	TRIM	DESCRIPTION
1	04724930AD	1							WEATHERSTRIP, Hood to Radiator
2	04724755AF	1							SEAL, Cowl Screen to Hood Inner Panel



PT CRUISER (PT)

SERIES LINE
H = HIGHLINE C = CHRYSLER
P = PREMIUM Z = CHRYSLER (RHD)
S = SPORT
X = SPECIAL

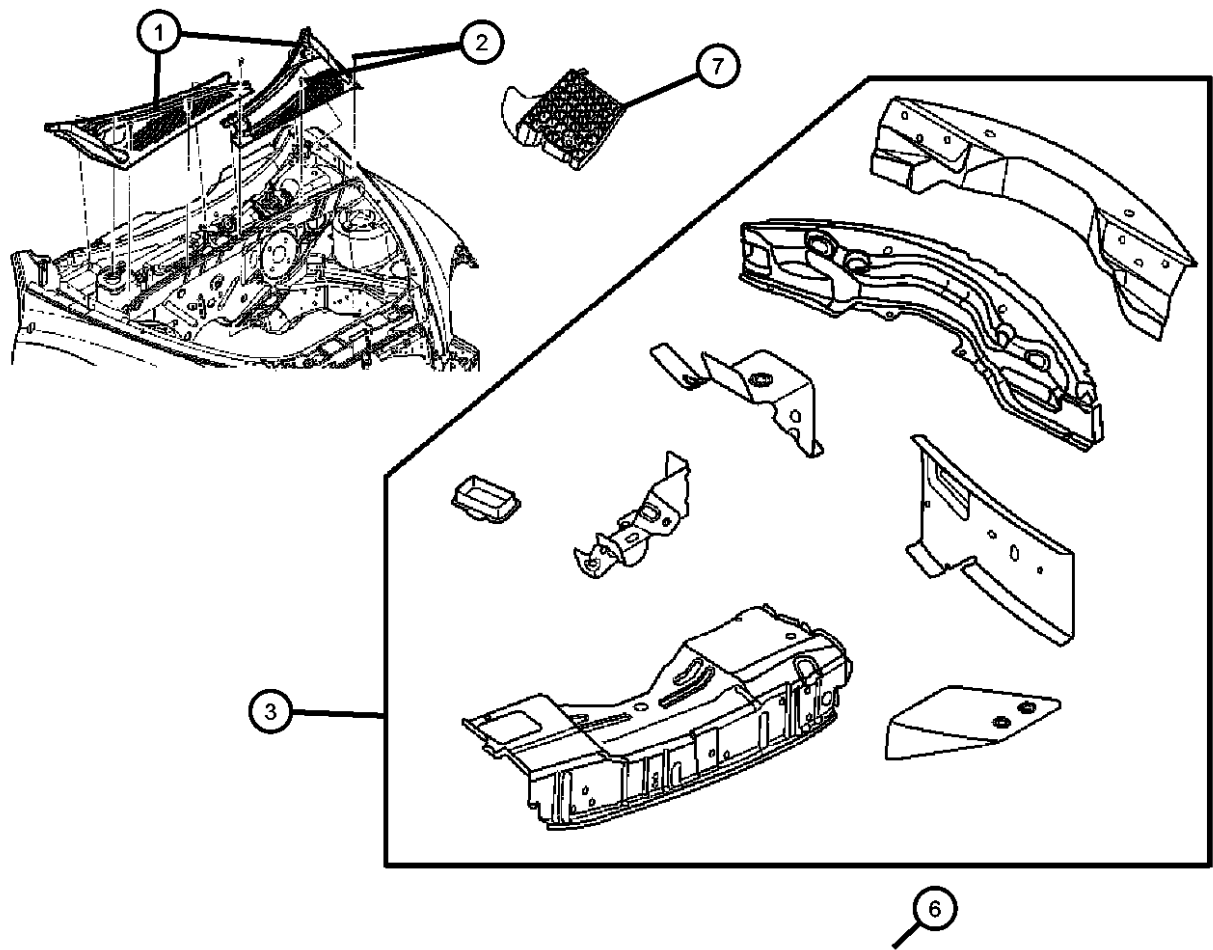
BODY
27 = 2-DR CONVERTIBLE
44 = HATCHBACK/QUAD
CAB CHASSIS LWB

ENGINE TRANSMISSION
EDJ = 2.2L 4 Cyl Turbo Diesel Engine
EDT = 2.4L 4 Cyl DOHC 16V Turbo Engine
EDV = 2.4L 4 Cyl DOHC 16V HO Turbo Engine
EDZ = 2.4L 4 Cyl DOHC 16V SMPI Engine
EJD = 1.6L 4 Cyl SOHC 16V SMPI
DGL = 4-Speed Automatic Transmission
DD5 = 5-Speed Manual Transmission
DDD = 5-Speed HD Manual Transmission

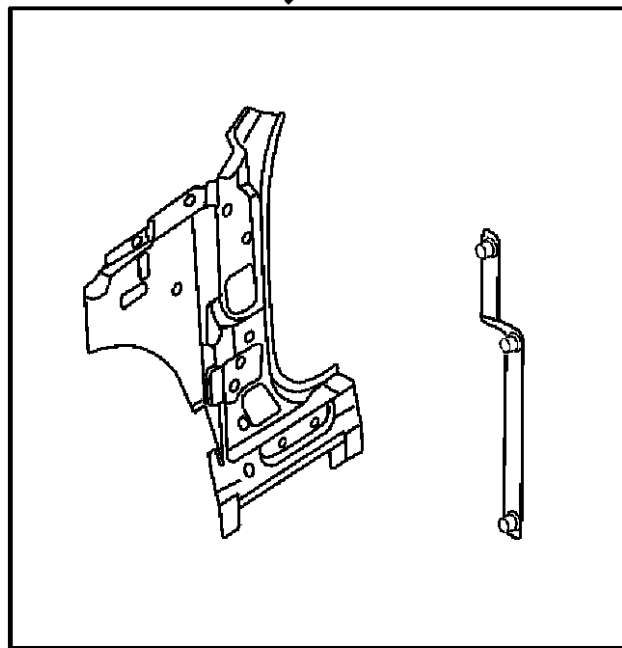
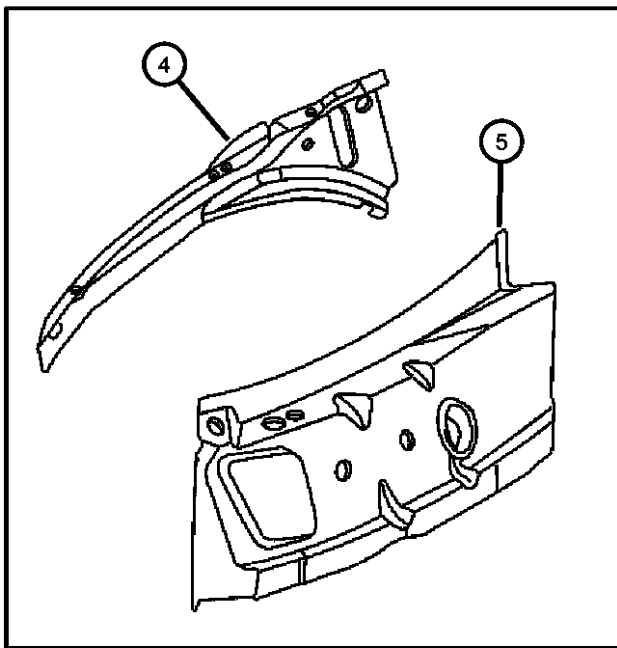
AR = use ase required - = Non illustrated part

2006 PT

**Cowl Panel and Screen
Figure SPT-610**



ITEM	PART NUMBER	QTY	LINE	SERIES	BODY	ENGINE	TRANS	TRIM	DESCRIPTION
1	05027430AC	1	C						SCREEN, Cowl Top Right
	05027431AC	1	C						Left
2	06502573	7							RIVET, M4.9x14.5
3	05016795AE	1	C						PANEL, Cowl And Plenum
4	04724490AD	1							BEAM, Upper Load Path Right
	04724491AD	1							Left
5	04724492AE	1							BEAM, Upper Load Path Right
	04724493AE	1							Left
6	05017538AB	1			44				PANEL, Cowl Side Right
	05017539AB	1			44				Left
	05140026AC	1			27				Right
	05140027AC	1			27				Left
7	05027474AD	1			44				EXTENSION, Body Side Aperture Right
		1			27				Right
	05027475AD	1			44				Left
		1			27				Left



PT CRUISER (PT)

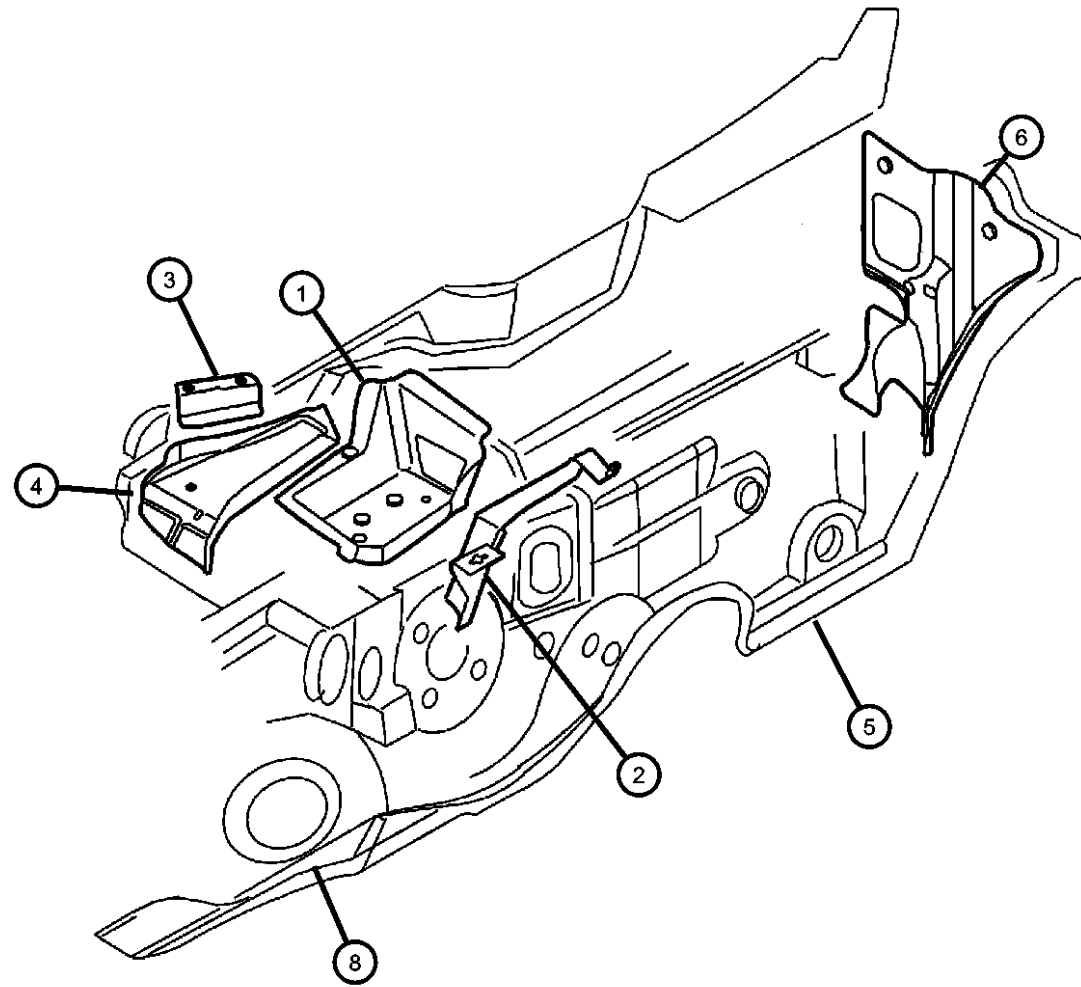
SERIES LINE
H = HIGHLINE C = CHRYSLER
P = PREMIUM Z = CHRYSLER (RHD)
S = SPORT
X = SPECIAL

BODY
27 = 2-DR CONVERTIBLE
44 = HATCHBACK/QUAD
CAB CHASSIS LWB

ENGINE TRANSMISSION
EDJ = 2.2L 4 Cyl Turbo Diesel Engine
EDT = 2.4L 4 Cyl DOHC 16V Turbo Engine
EDV = 2.4L 4 Cyl DOHC 16V HO Turbo Engine
EDZ = 2.4L 4 Cyl DOHC 16V SMPI Engine
EJD = 1.6L 4 Cyl SOHC 16V SMPI
DGL = 4-Speed Automatic Transmission
DD5 = 5-Speed Manual Transmission
DDD = 5-Speed HD Manual Transmission

AR = use ase required - = Non illustrated part

**Cowl Panel - Attaching Parts
Figure SPT-620**



ITEM	PART NUMBER	QTY	LINE	SERIES	BODY	ENGINE	TRANS	TRIM	DESCRIPTION
1	05067581AA	1	C						BRACKET, Cowl Plenum
2	05027755AB	1							BRACKET, Cowl Plenum Engine Control Attach
3	05027053AB	1							BRACKET, Cowl
4	05058078AA	1	C						WATERSHIELD, Cowl Plenum
5									SILENCER, Plenum And Dash Panel
	05023878AB	1	C						
	05023909AA	1	Z						
6									SILENCER, Cowl Side
	05027202AA	1	C						Right
	05027970AB	1	Z						Right
	05027971AA	1	C						Left
	05067123AB	1	Z						Left
-7									PLUG, Drain
	03445939	2				44			
		2				27			
8									SILENCER, Cowl Plenum Panel
	05027888AB	1	Z						
	05027890AA	1							
-9									BRACKET, Cowl Plenum
	04724882AB	1							Cowl Side With Wiper Mounting and Cowl Plenum, Right
	04724883AB	1							Cowl Side With Wiper Mounting and Cowl Plenum, Left

PT CRUISER (PT)

SERIES LINE
H = HIGHLINE C = CHRYSLER
P = PREMIUM Z = CHRYSLER (RHD)
S = SPORT
X = SPECIAL

BODY
27 = 2-DR CONVERTIBLE
44 = HATCHBACK/QUAD
CAB CHASSIS LWB

ENGINE
EDJ = 2.2L 4 Cyl Turbo Diesel Engine
EDT = 2.4L 4 Cyl DOHC 16V Turbo Engine
EDV = 2.4L 4 Cyl DOHC 16V HO Turbo Engine
EDZ = 2.4L 4 Cyl DOHC 16V SMPI Engine
EJD = 1.6L 4 Cyl SOHC 16V SMPI

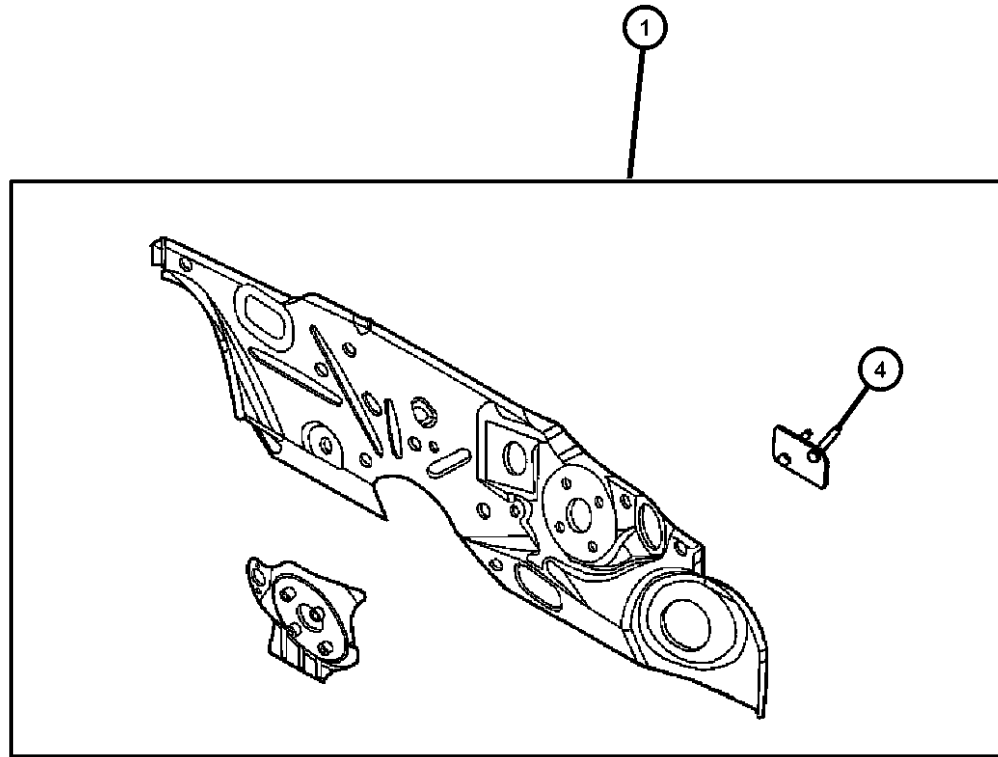
TRANSMISSION
DGL = 4-Speed Automatic Transmission
DD5 = 5-Speed Manual Transmission
DDD = 5-Speed HD Manual Transmission

AR = use ase required - = Non illustrated part

2006 PT

**Panel Dash
Figure SPT-630**

ITEM	PART NUMBER	QTY	LINE	SERIES	BODY	ENGINE	TRANS	TRIM	DESCRIPTION
1									PANEL, Dash
	05017558AE	1	C						
	05027153AE	1	Z						
-2	04708238	AR							RIVET, .197 Grip-.187-.375, Dash Panel Stud
-3									SILENCER, Dash Panel-Engine Compartment
	05027883AF	1	C						
	05027884AF	1	Z						
	05152079AB	1	Z						Export
	05152080AB	1	C						Export
4	04888812AA	1	C						PLATE, Accelerator Pedal Attach
-5	05116114AF	1	C, Z				27, 44		SILENCER, Engine Compartment

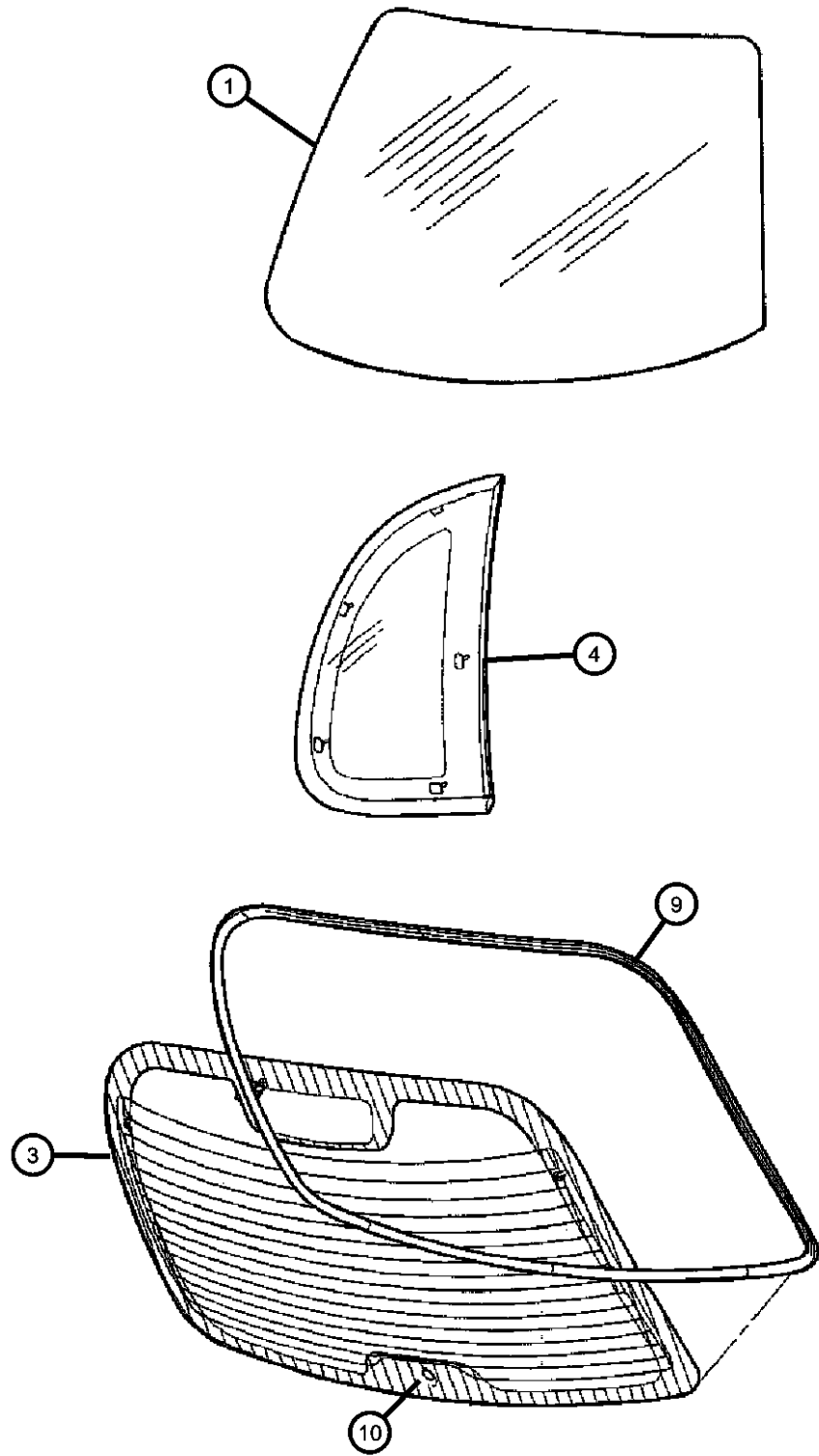


PT CRUISER (PT)

SERIES	LINE	BODY	ENGINE	TRANSMISSION
H = HIGHLINE	C = CHRYSLER	27 = 2-DR CONVERTIBLE	EDJ = 2.2L 4 Cyl Turbo Diesel Engine	DGL = 4-Speed Automatic Transmission
P = PREMIUM	Z = CHRYSLER (RHD)	44 = HATCHBACK/QUAD CAB CHASSIS LWB	EDT = 2.4L 4 Cyl DOHC 16V Turbo Engine	DD5 = 5-Speed Manual Transmission
S = SPORT			EDV = 2.4L 4 Cyl DOHC 16V HO Turbo Engine	DDD = 5-Speed HD Manual Transmission
X = SPECIAL			EDZ = 2.4L 4 Cyl DOHC 16V SMPI Engine	
			EJD = 1.6L 4 Cyl SOHC 16V SMPI	

AR = use ase required - = Non illustrated part

**Windshield. Backlite and Mirror - 44 Body
Figure SPT-710**



ITEM	PART NUMBER	QTY	LINE	SERIES	BODY	ENGINE	TRANS	TRIM	DESCRIPTION
Sales Codes [GAM] = Solar [GEG] = Deep Tint Sunscreen [GNK] = Auto Dim									
1	05083396AB	1			44				WINDSHIELD PACKAGE, SHIPPING ASSEMBLY - 10 LITE GLASS
	DW01465GTY								Collision Replacement Glass
-2	04864015	4			44				INSTALLATION PACKAGE, Windshield Glass
3									BACKLITE
	04724740AH	1			44				With [GAM] , without [GEG]
	DB10611GTY								Collision Replacement Glass
	05257957AH	1			44				With [GEG]
	DB10611YPY								Collision Replacement Glass
4									GLASS, Quarter Window
	04724702AE	1			44				With [GAM] , without [GEG], Right
	04724703AE	1			44				With [GAM] , without [GEG], Left
	05257960AE	1			44				With [GEG], Right
	05257961AE	1			44				With [GEG], Left
5									MIRROR, Inside Rear View
	04805332AB	1			44				With [GNA]
	05064017AD	1							With [GNK]
6	05008589AB	1							MIRROR, Inside Rear View, Lighted, With [GNG]
-7	55076401	1			44				BUTTON, Rear View Mirror
8	55076401	1							SCREW, Purchased in Assembly, Serviced in Item 4, (NOT SERVICED)
9	05288807AB	1			44				MOLDING, Liftgate Glass
10	05288807AB	1							GROMMET, Wiper Motor And Bracket, (NOT SERVICED)
-11									NOZZLE, Liftgate Washer
	05303442AB	1			44				With [GAM] , without [GEG]
		1			44				With [GEG]

PT CRUISER (PT)

SERIES LINE
H = HIGHLINE C = CHRYSLER
P = PREMIUM Z = CHRYSLER (RHD)
S = SPORT
X = SPECIAL

BODY
27 = 2-DR CONVERTIBLE
44 = HATCHBACK/QUAD
CAB CHASSIS LWB

ENGINE
EDJ = 2.2L 4 Cyl Turbo Diesel
Engine
EDT = 2.4L 4 Cyl DOHC 16V
Turbo Engine
EDV = 2.4L 4 Cyl DOHC 16V
HO Turbo Engine
EDZ = 2.4L 4 Cyl DOHC 16V
SMPI Engine
EJD = 1.6L 4 Cyl SOHC 16V
SMPI

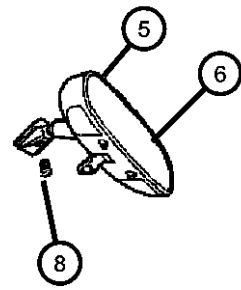
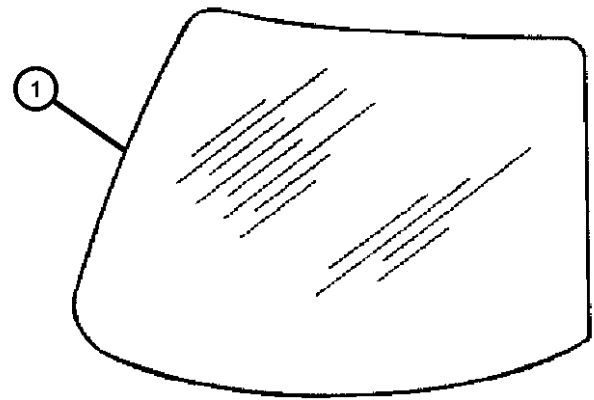
TRANSMISSION
DGL = 4-Speed Automatic
Transmission
DD5 = 5-Speed Manual Transmission
DDD = 5-Speed HD Manual
Transmission

AR = use ase required - = Non illustrated part

2006 PT

Windshield. Backlite and Mirror - 44 Body
Figure SPT-710

ITEM	PART NUMBER	QTY	LINE	SERIES	BODY	ENGINE	TRANS	TRIM	DESCRIPTION
------	-------------	-----	------	--------	------	--------	-------	------	-------------



-12

55154587

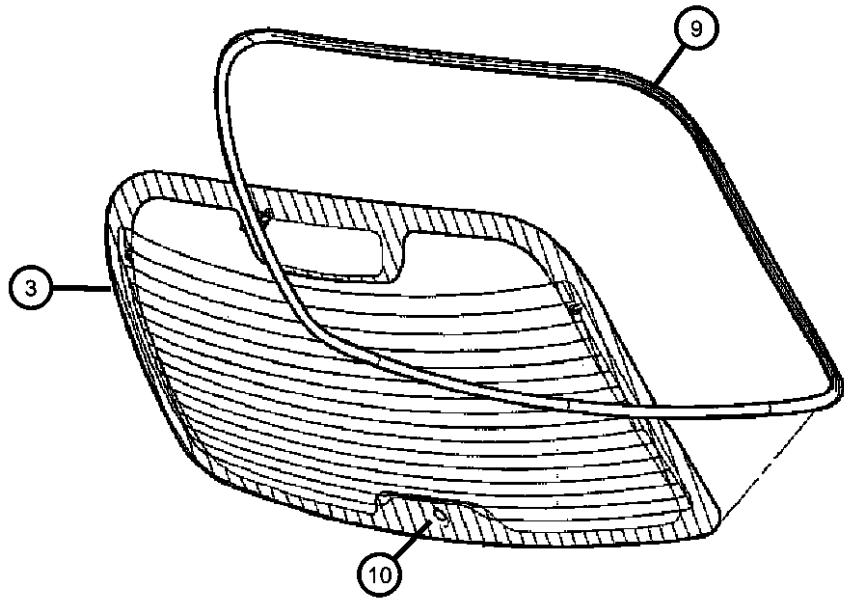
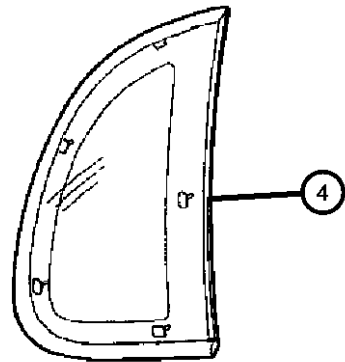
1

44

NUT, Nozzle Mounting
With [GAM] , without [GEG]
With [GEG]

1

44



PT CRUISER (PT)

SERIES LINE
H = HIGHLINE C = CHRYSLER
P = PREMIUM Z = CHRYSLER (RHD)
S = SPORT
X = SPECIAL

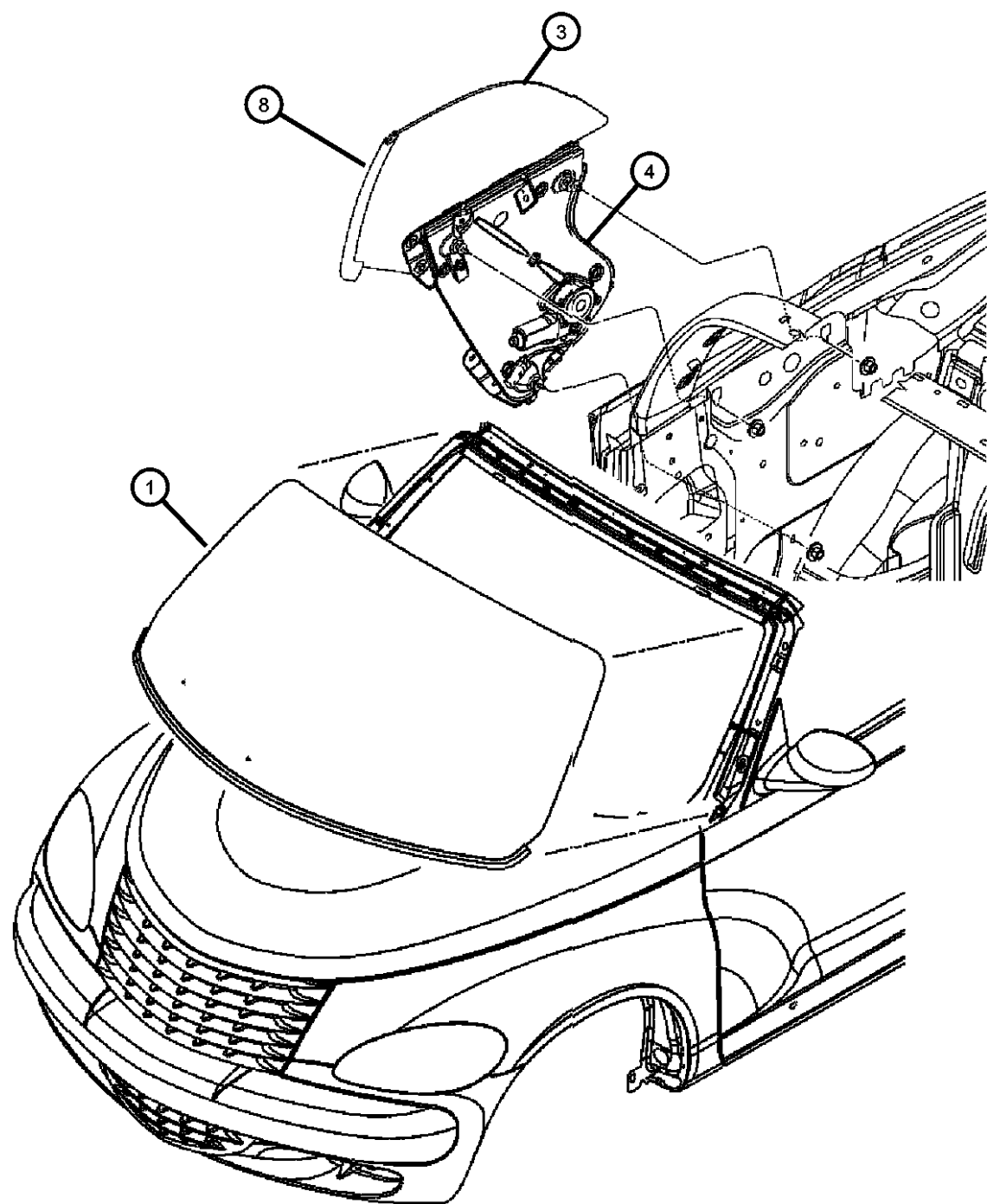
BODY
27 = 2-DR CONVERTIBLE
44 = HATCHBACK/QUAD
CAB CHASSIS LWB

ENGINE TRANSMISSION
EDJ = 2.2L 4 Cyl Turbo Diesel DGL = 4-Speed Automatic
Engine Transmission
EDT = 2.4L 4 Cyl DOHC 16V DD5 = 5-Speed Manual Transmission
Turbo Engine DDD = 5-Speed HD Manual
EDV = 2.4L 4 Cyl DOHC 16V Transmission
HO Turbo Engine
EDZ = 2.4L 4 Cyl DOHC 16V
SMPI Engine
EJD = 1.6L 4 Cyl SOHC 16V
SMPI

AR = use ase required - = Non illustrated part

2006 PT

**Windshield , Backlite , Quater Window and Mirror - 27 Body
Figure SPT-715**



ITEM	PART NUMBER	QTY	LINE	SERIES	BODY	ENGINE	TRANS	TRIM	DESCRIPTION
1	05127203AA DW01553GTY	1			27				WINDSHIELD, Shipping Assembly - 10 Lite Glass Collision Replacement Glass
-2	05101810AA DB10796GTN	1			27				BACKLITE Collision Replacement Glass
3	05067226AD DQ10609GTY	1			27				GLASS, Quarter Window Right Collision Replacement Glass
	05067227AD DQ10610GTY	1			27				Left Collision Replacement Glass
4	05067286AC 05067287AC	1 1			27 27				REGULATOR ASSY, Quarter Window, Regulator and Motor Right Left
-5	04512684	4			27				RETAINER, Glass to Liftplate
-6	04512685	4			27				BUSHING, Door Glass
-7	05064017AD	1							MIRROR, Inside Rear View
8	05067436AB 05067437AB	1 1			27 27				WEATHERSTRIP, Quarter Glass Right Left
-9	05067152AG 05067153AG	1 1			27 27				WEATHERSTRIP, Quarter Window Belt Right Left
-10	05008589AB	1							MIRROR, Inside Rear View, Lighted, With [GNG]

PT CRUISER (PT)

SERIES LINE
H = HIGHLINE C = CHRYSLER
P = PREMIUM Z = CHRYSLER (RHD)
S = SPORT
X = SPECIAL

BODY
27 = 2-DR CONVERTIBLE
44 = HATCHBACK/QUAD
CAB CHASSIS LWB

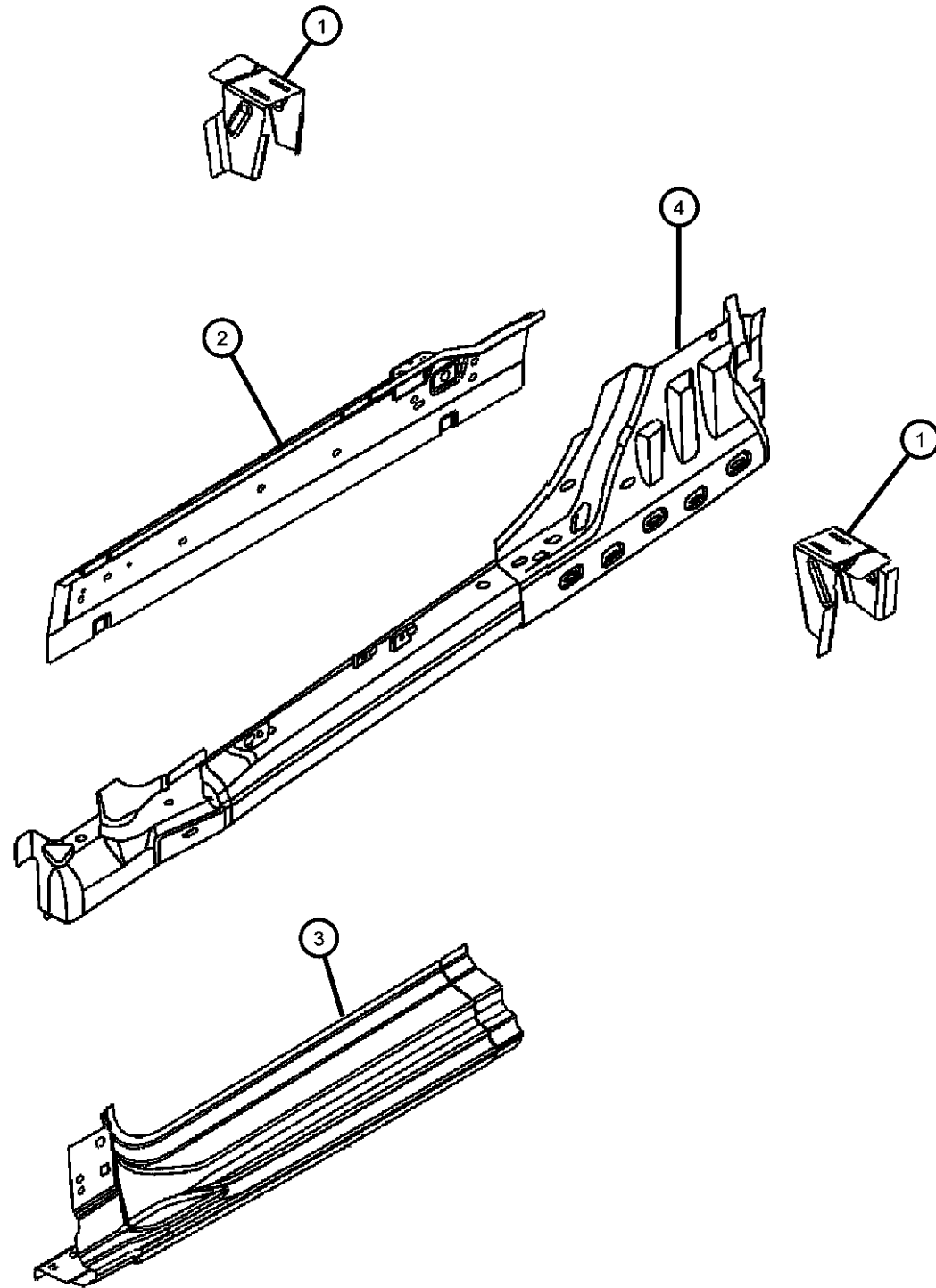
ENGINE TRANSMISSION
EDJ = 2.2L 4 Cyl Turbo Diesel Engine
EDT = 2.4L 4 Cyl DOHC 16V Turbo Engine
EDV = 2.4L 4 Cyl DOHC 16V HO Turbo Engine
EDZ = 2.4L 4 Cyl DOHC 16V SMPI Engine
EJD = 1.6L 4 Cyl SOHC 16V SMPI
DGL = 4-Speed Automatic Transmission
DD5 = 5-Speed Manual Transmission
DDD = 5-Speed HD Manual Transmission

AR = use ase required - = Non illustrated part

2006 PT

**Panel Body Side Sill - 27 Body
Figure SPT-810**

ITEM	PART NUMBER	QTY	LINE	SERIES	BODY	ENGINE	TRANS	TRIM	DESCRIPTION
1	05067168AB	1			27				BRACKET, Sill Right
	05067169AB	1			27				Left
2	05067166AB	1			27				PANEL, Side Sill Right
	05067167AB	1			27				Left
3	05067312AB	1			27				PANEL, Side Sill Right
	05067313AB	1			27				Left
4	05067174AC	1			27				PANEL, Body Side Sill Inner Right
	05067175AC	1			27				Left



PT CRUISER (PT)

SERIES LINE
H = HIGHLINE C = CHRYSLER
P = PREMIUM Z = CHRYSLER (RHD)
S = SPORT
X = SPECIAL

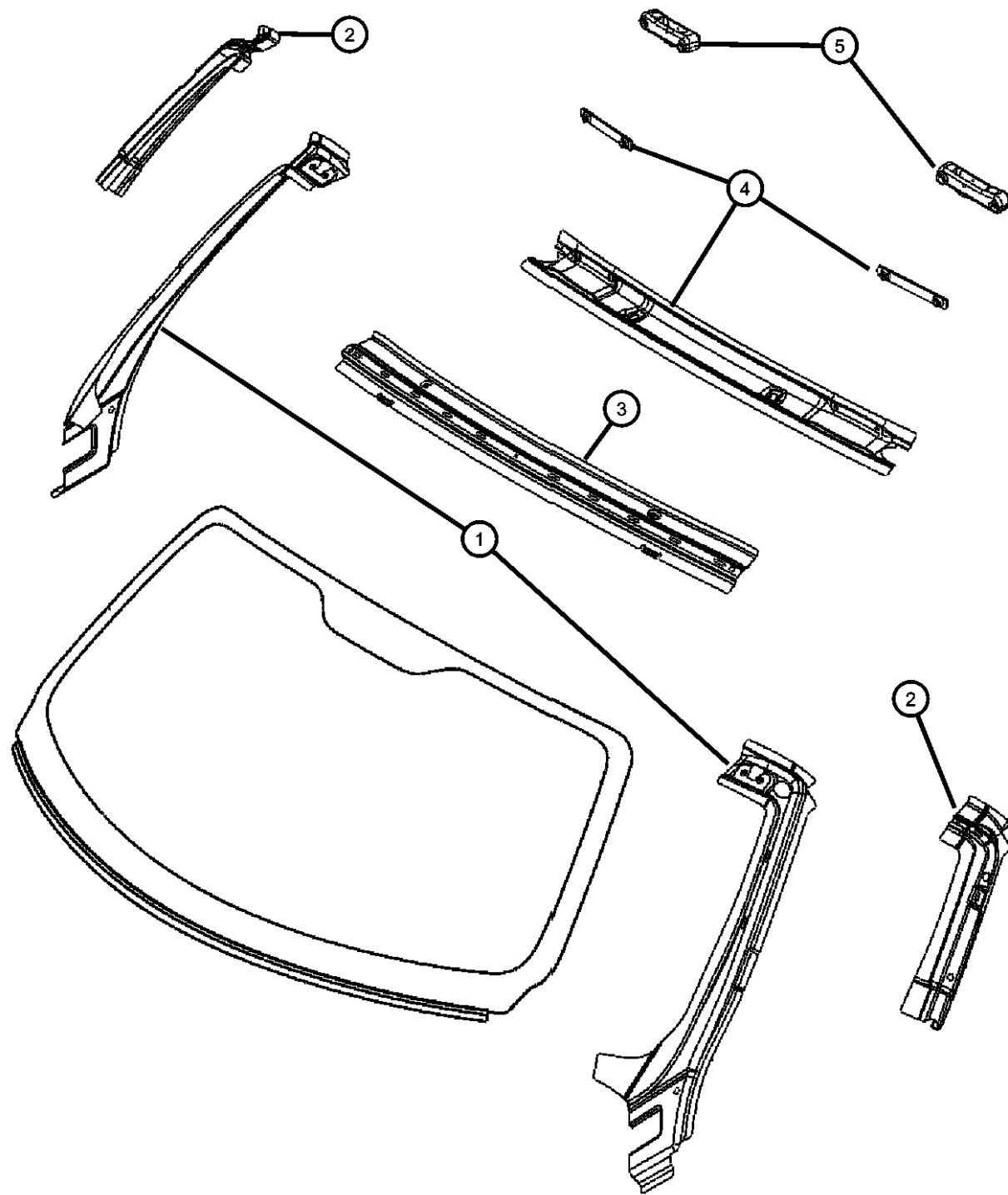
BODY
27 = 2-DR CONVERTIBLE
44 = HATCHBACK/QUAD
CAB CHASSIS LWB

ENGINE TRANSMISSION
EDJ = 2.2L 4 Cyl Turbo Diesel Engine
EDT = 2.4L 4 Cyl DOHC 16V Turbo Engine
EDV = 2.4L 4 Cyl DOHC 16V HO Turbo Engine
EDZ = 2.4L 4 Cyl DOHC 16V SMPI Engine
EJD = 1.6L 4 Cyl SOHC 16V SMPI
DGL = 4-Speed Automatic Transmission
DD5 = 5-Speed Manual Transmission
DDD = 5-Speed HD Manual Transmission

AR = use ase required - = Non illustrated part

2006 PT

Frame Windshield - 27 Body
Figure SPT-815



ITEM	PART NUMBER	QTY	LINE	SERIES	BODY	ENGINE	TRANS	TRIM	DESCRIPTION
1	05067198AA	1			27				FRAME, Windshield Side Right
	05067199AA	1			27				Left
2	05067199AA	1							FRAME, Windshield, Serice with 05140598AA and 05140599AA, (NOT SERVICED)
3	05067194AA	1			27				FRAME, WindshieldUpper
4	05067195AA	1			27				FRAME, WindshieldLower
5									RETAINER, Latch
	05067146AD	1			27				Right
	05067147AD	1			27				Left
-6									GUIDE, Convertible Roof Pin
	05161954AA	1			27				Right
	05161955AA	1			27				Left

PT CRUISER (PT)

SERIES LINE
H = HIGHLINE C = CHRYSLER
P = PREMIUM Z = CHRYSLER (RHD)
S = SPORT
X = SPECIAL

BODY
27 = 2-DR CONVERTIBLE
44 = HATCHBACK/QUAD
CAB CHASSIS LWB

ENGINE
EDJ = 2.2L 4 Cyl Turbo Diesel Engine
EDT = 2.4L 4 Cyl DOHC 16V Turbo Engine
EDV = 2.4L 4 Cyl DOHC 16V HO Turbo Engine
EDZ = 2.4L 4 Cyl DOHC 16V SMPI Engine
EJD = 1.6L 4 Cyl SOHC 16V SMPI

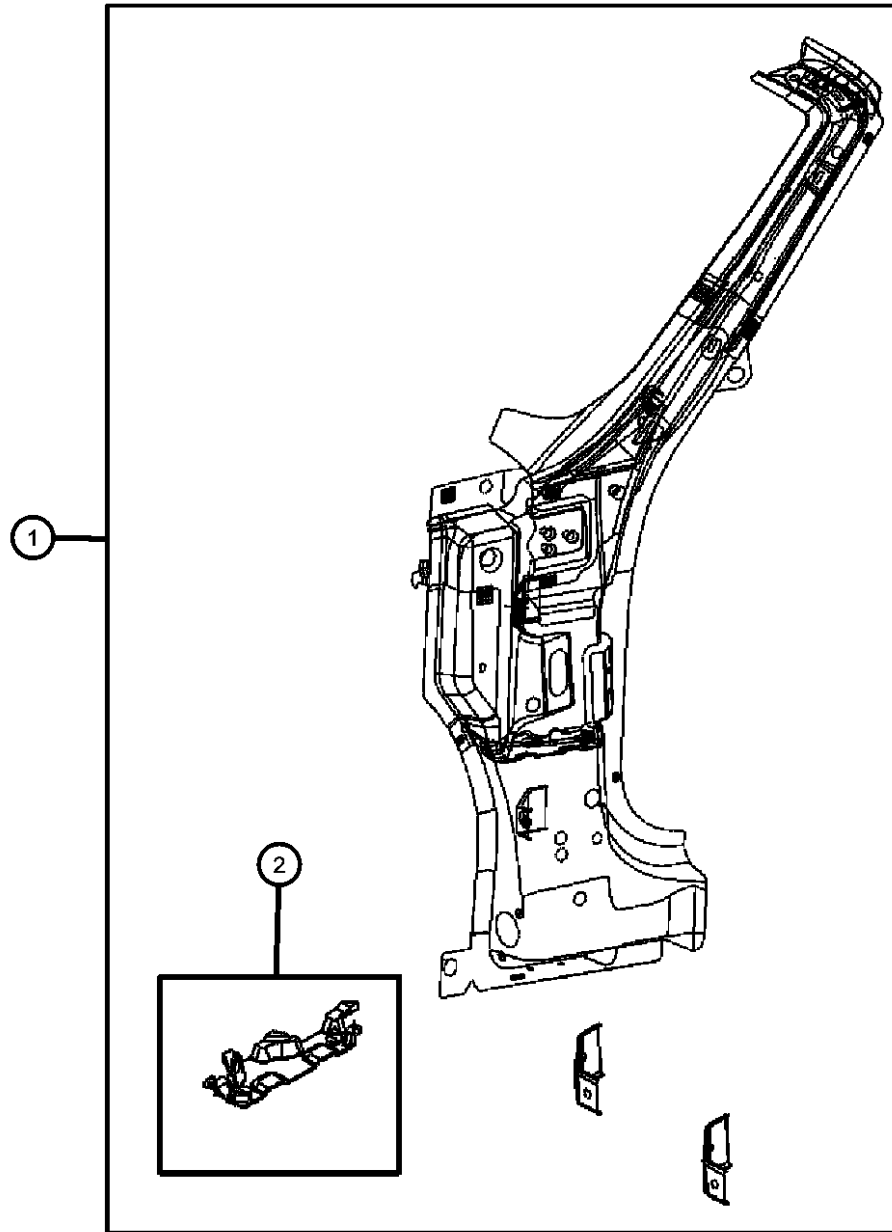
TRANSMISSION
DGL = 4-Speed Automatic Transmission
DD5 = 5-Speed Manual Transmission
DDD = 5-Speed HD Manual Transmission

AR = use ase required - = Non illustrated part

2006 PT

**Front Hinge Pillar - 27 Body
Figure SPT-820**

ITEM	PART NUMBER	QTY	LINE	SERIES	BODY	ENGINE	TRANS	TRIM	DESCRIPTION
1									PILLAR, Front Hinge
	05140598AA	1			27				Right
	05140599AA	1			27				Left
2									REINFORCEMENT, Front Hinge Pillar
	05027478AB	1							Right
	05027479AB	1							Left



PT CRUISER (PT)

SERIES LINE
H = HIGHLINE C = CHRYSLER
P = PREMIUM Z = CHRYSLER (RHD)
S = SPORT
X = SPECIAL

BODY
27 = 2-DR CONVERTIBLE
44 = HATCHBACK/QUAD
CAB CHASSIS LWB

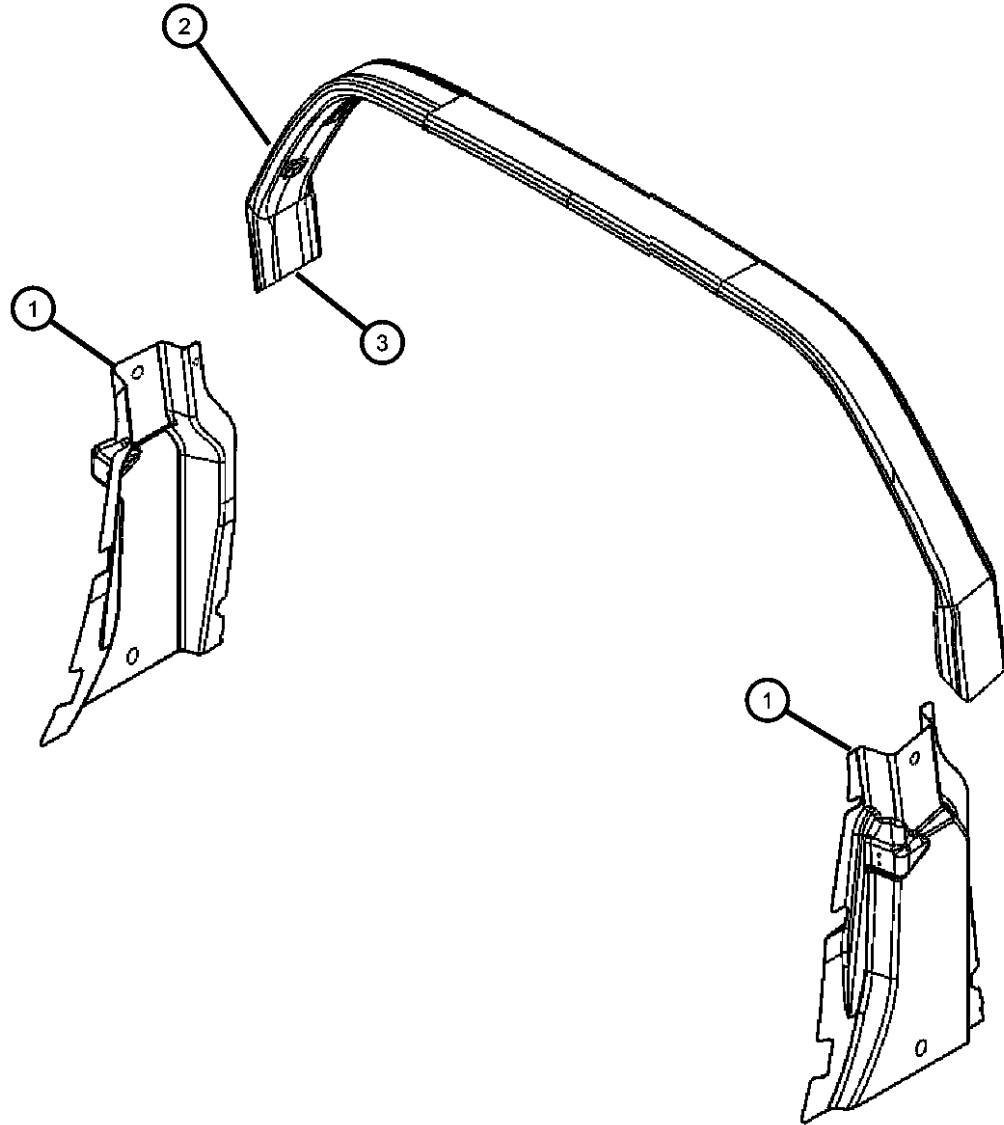
ENGINE TRANSMISSION
EDJ = 2.2L 4 Cyl Turbo Diesel Engine
EDT = 2.4L 4 Cyl DOHC 16V Turbo Engine
EDV = 2.4L 4 Cyl DOHC 16V HO Turbo Engine
EDZ = 2.4L 4 Cyl DOHC 16V SMPI Engine
EJD = 1.6L 4 Cyl SOHC 16V SMPI
DGL = 4-Speed Automatic Transmission
DD5 = 5-Speed Manual Transmission
DDD = 5-Speed HD Manual Transmission

AR = use ase required - = Non illustrated part

2006 PT

**Sport Bar - 27 Body
Figure SPT-825**

ITEM	PART NUMBER	QTY	LINE	SERIES	BODY	ENGINE	TRANS	TRIM	DESCRIPTION
1	05027479AB	1							REINFORCEMENT, Quarter Panel, Service on 5067430AC and 5067431AC, (NOT SERVICED)
2	05067457AA	1			27				BAR, Sport
3									WEATHERSTRIP, Rear Quarter Window
	05067664AE	1			27				Right
	05067665AE	1			27				Left



PT CRUISER (PT)

SERIES LINE
H = HIGHLINE C = CHRYSLER
P = PREMIUM Z = CHRYSLER (RHD)
S = SPORT
X = SPECIAL

BODY
27 = 2-DR CONVERTIBLE
44 = HATCHBACK/QUAD
CAB CHASSIS LWB

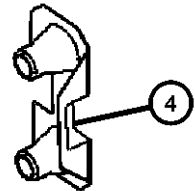
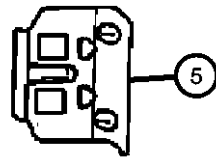
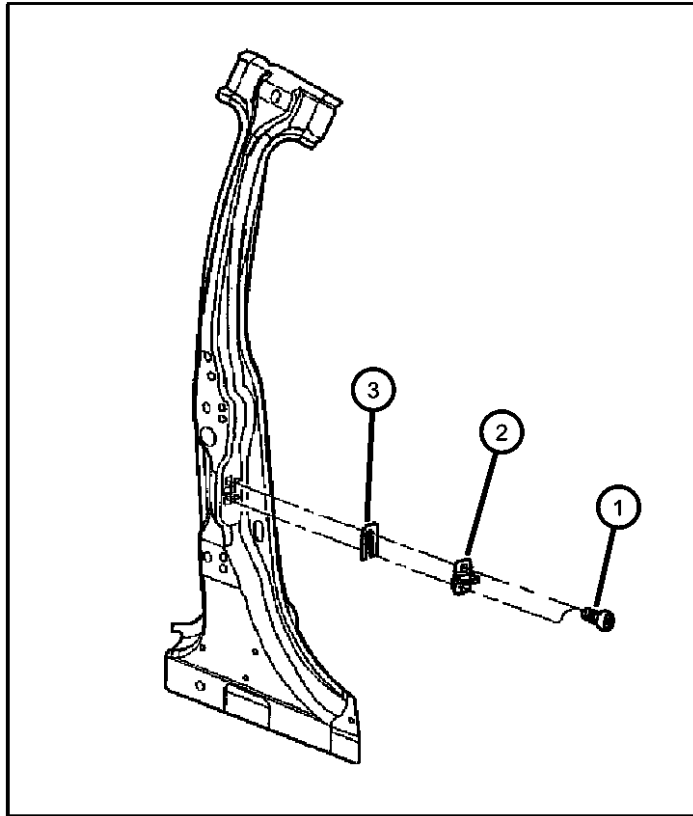
ENGINE TRANSMISSION
EDJ = 2.2L 4 Cyl Turbo Diesel Engine
EDT = 2.4L 4 Cyl DOHC 16V Turbo Engine
EDV = 2.4L 4 Cyl DOHC 16V HO Turbo Engine
EDZ = 2.4L 4 Cyl DOHC 16V SMPI Engine
EJD = 1.6L 4 Cyl SOHC 16V SMPI
DGL = 4-Speed Automatic Transmission
DD5 = 5-Speed Manual Transmission
DDD = 5-Speed HD Manual Transmission

AR = use ase required - = Non illustrated part

2006 PT

**Striker Front and Rear Door
Figure SPT-830**

ITEM	PART NUMBER	QTY	LINE	SERIES	BODY	ENGINE	TRANS	TRIM	DESCRIPTION
1									SCREW AND WASHER, Button Head Torx
	06503120	8			44				
		4			27				
2	04780259	2							STRIKER, Door
3	04520289	AR							SPACER, Door Latch StrikerFront
4									TAPPING PLATE, Striker
	04860301	2			44				
		2			27				
5	05027384AA	2			44				RETAINER, Door Latch Striker, Reinforcement and Retainer - Bodyside Aperature C-Pillar



PT CRUISER (PT)

SERIES LINE
H = HIGHLINE C = CHRYSLER
P = PREMIUM Z = CHRYSLER (RHD)
S = SPORT
X = SPECIAL

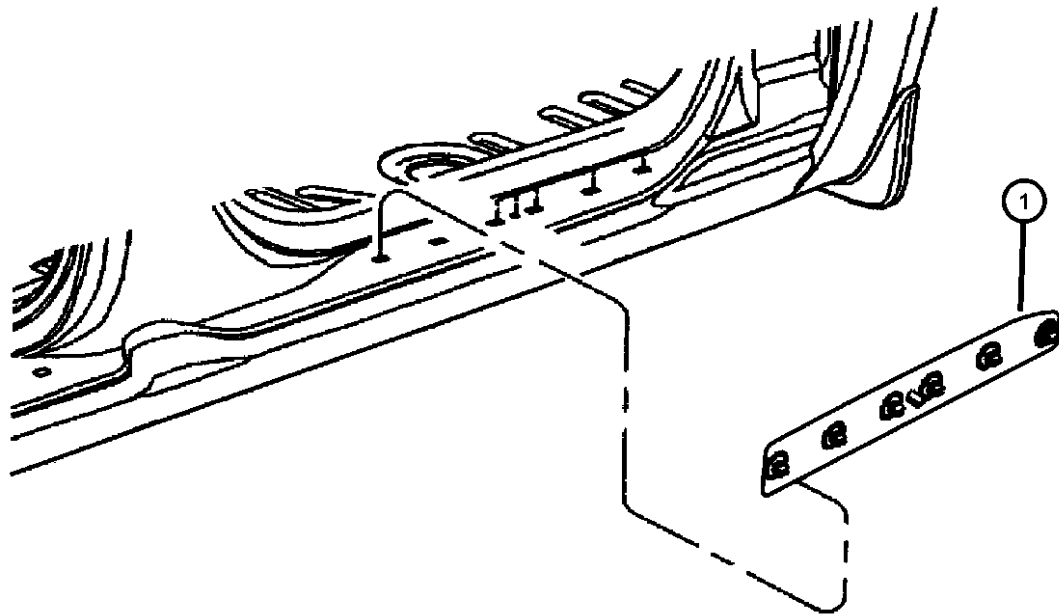
BODY
27 = 2-DR CONVERTIBLE
44 = HATCHBACK/QUAD CAB CHASSIS LWB

ENGINE TRANSMISSION
EDJ = 2.2L 4 Cyl Turbo Diesel Engine DGL = 4-Speed Automatic Transmission
EDT = 2.4L 4 Cyl DOHC 16V Turbo Engine DD5 = 5-Speed Manual Transmission
EDV = 2.4L 4 Cyl DOHC 16V HO Turbo Engine DDD = 5-Speed HD Manual Transmission
EDZ = 2.4L 4 Cyl DOHC 16V SMPI Engine
EJD = 1.6L 4 Cyl SOHC 16V SMPI

AR = use ase required - = Non illustrated part

Sill Cover - 44 Body
Figure SPT-835

ITEM	PART NUMBER	QTY	LINE	SERIES	BODY	ENGINE	TRANS	TRIM	DESCRIPTION
1									COVER, Sill
	0SF34DX9AB	1			44				Right
	0SF35DX9AB	1			44				Left



PT CRUISER (PT)

SERIES LINE

H = HIGHLINE C = CHRYSLER
P = PREMIUM Z = CHRYSLER (RHD)
S = SPORT
X = SPECIAL

BODY

27 = 2-DR CONVERTIBLE
44 = HATCHBACK/QUAD
CAB CHASSIS LWB

ENGINE

EDJ = 2.2L 4 Cyl Turbo Diesel Engine
EDT = 2.4L 4 Cyl DOHC 16V Turbo Engine
EDV = 2.4L 4 Cyl DOHC 16V HO Turbo Engine
EDZ = 2.4L 4 Cyl DOHC 16V SMPI Engine
EJD = 1.6L 4 Cyl SOHC 16V SMPI

TRANSMISSION

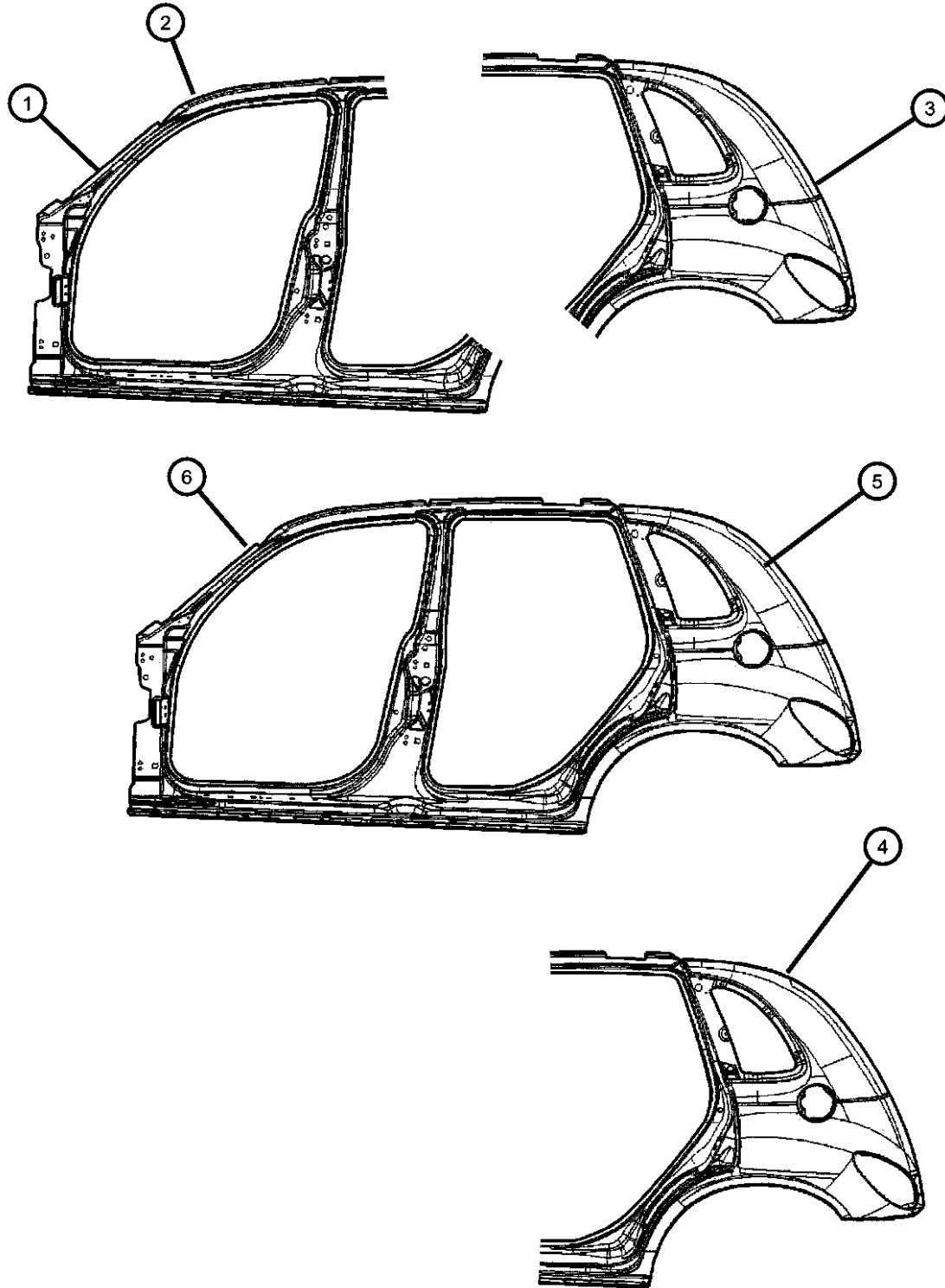
DGL = 4-Speed Automatic Transmission
DD5 = 5-Speed Manual Transmission
DDD = 5-Speed HD Manual Transmission

AR = use ase required - = Non illustrated part

2006 PT

Aperture Panel - 44 Body
Figure SPT-840

ITEM	PART NUMBER	QTY	LINE	SERIES	BODY	ENGINE	TRANS	TRIM	DESCRIPTION
1	05066398AF	1			44				PANEL PACKAGE, Body Side Aperture Front Right
	05066399AF	1			44				Left
2	05066214AA	1			44				PANEL PACKAGE, Body Side Aperture Front Skin Only, Right, Front
	05066215AA	1			44				Skin Only, Left, Front
3	05019222AA	1			44				PANEL PACKAGE, Body Side Aperture Rear Outer Skin Only, Right
	05019223AA	1			44				Outer Skin Only, Left
4	05066400AH	1			44				PANEL PACKAGE, Body Side Aperture Rear With Rear Dog Leg, Right
	05066401AF	1			44				With Rear Dog Leg, Left
5	05127696AH	1			44				PANEL ASSEMBLY, Body Side Aperture Complete, Complete Right
	05127697AH	1			44				Left
6	04724610AA	1			44				PANEL, Body Side Aperture Complete Outer Skin, Right
	04724611AA	1			44				Complete Outer Skin, Left



PT CRUISER (PT)

SERIES LINE
H = HIGHLINE C = CHRYSLER
P = PREMIUM Z = CHRYSLER (RHD)
S = SPORT
X = SPECIAL

BODY
27 = 2-DR CONVERTIBLE
44 = HATCHBACK/QUAD
CAB CHASSIS LWB

ENGINE
EDJ = 2.2L 4 Cyl Turbo Diesel Engine
EDT = 2.4L 4 Cyl DOHC 16V Turbo Engine
EDV = 2.4L 4 Cyl DOHC 16V HO Turbo Engine
EDZ = 2.4L 4 Cyl DOHC 16V SMPI Engine
EJD = 1.6L 4 Cyl SOHC 16V SMPI

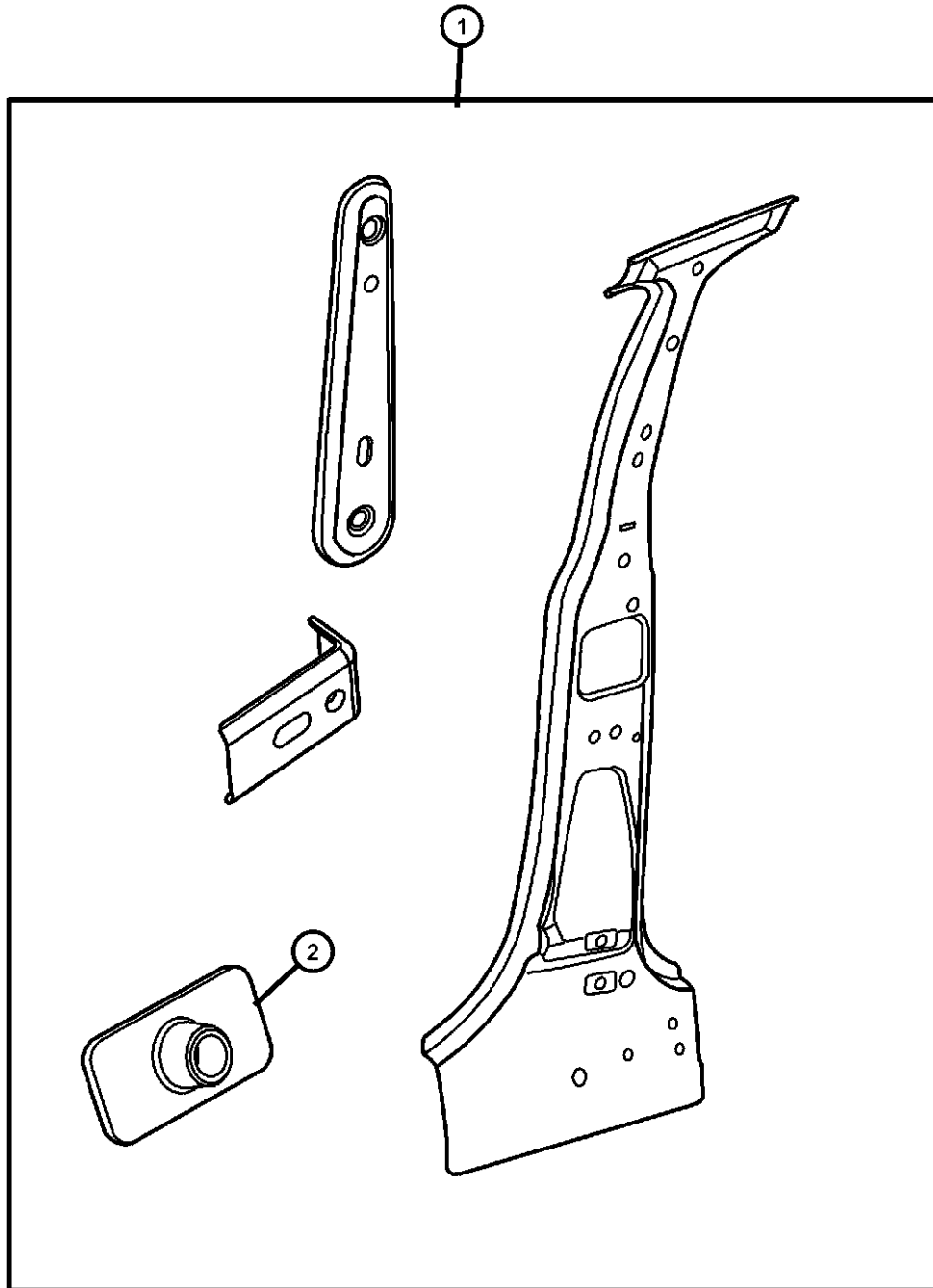
TRANSMISSION
DGL = 4-Speed Automatic Transmission
DD5 = 5-Speed Manual Transmission
DDD = 5-Speed HD Manual Transmission

AR = use ase required - = Non illustrated part

2006 PT

B Pillar - 44 Body
Figure SPT-850

ITEM	PART NUMBER	QTY	LINE	SERIES	BODY	ENGINE	TRANS	TRIM	DESCRIPTION
1	05027578AB	1			44				PANEL, B Pillar Inner Right
	05027579AB	1			44				Left
2	06033150	2			44				NUT PLATE, .25-20



PT CRUISER (PT)

SERIES LINE
H = HIGHLINE C = CHRYSLER
P = PREMIUM Z = CHRYSLER (RHD)
S = SPORT
X = SPECIAL

BODY
27 = 2-DR CONVERTIBLE
44 = HATCHBACK/QUAD
CAB CHASSIS LWB

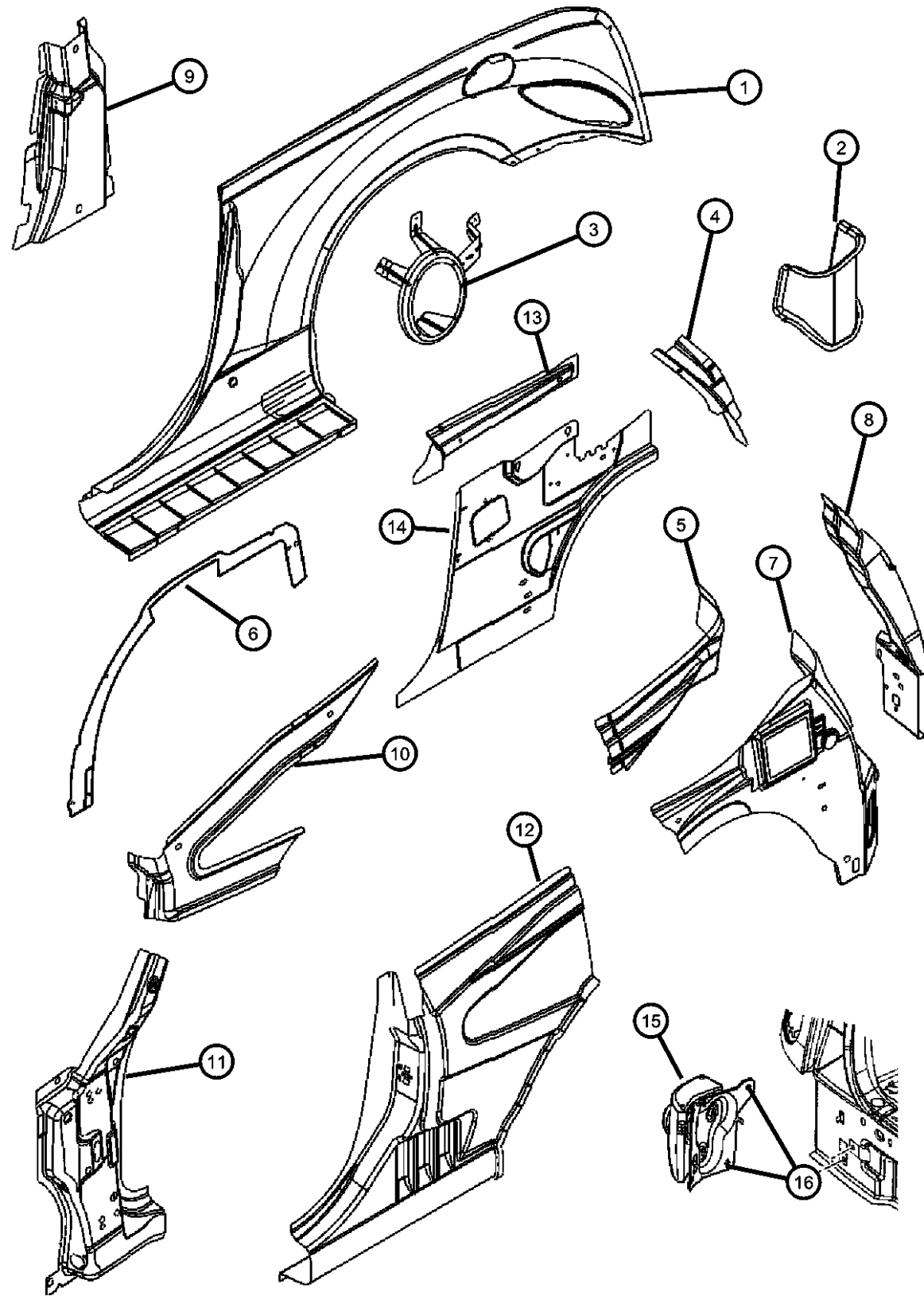
ENGINE
EDJ = 2.2L 4 Cyl Turbo Diesel Engine
EDT = 2.4L 4 Cyl DOHC 16V Turbo Engine
EDV = 2.4L 4 Cyl DOHC 16V HO Turbo Engine
EDZ = 2.4L 4 Cyl DOHC 16V SMPI Engine
EJD = 1.6L 4 Cyl SOHC 16V SMPI

TRANSMISSION
DGL = 4-Speed Automatic Transmission
DD5 = 5-Speed Manual Transmission
DDD = 5-Speed HD Manual Transmission

AR = use ase required - = Non illustrated part

2006 PT

Quarter Panel - 27 Body
Figure SPT-910



ITEM	PART NUMBER	QTY	LINE	SERIES	BODY	ENGINE	TRANS	TRIM	DESCRIPTION
1	05067212AA	1			27				PANEL, Quarter Right
	05067213AA	1			27				Left
2	05067216AA	1			27				COVER, Fuel Filler Tube
3	05067332AD	1			27				BRACKET, Speaker Right
	05067333AD	1			27				Left
4	05067384AB	1			27				EXTENSION, Quarter Inner Lower To Drain Trough Lower, Right
	05067385AB	1			27				To Drain Trough Lower, Left
5	05067324AC	1	C		27				REINFORCEMENT, Quarter Panel Right, Quarter, Outer
	05067325AC	1	C		27				Left, Quarter, Outer
6	05067326AA	1			27				EXTENSION, Quarter Inner Lower Right
	05067327AA	1			27				Left
7	05067390AB	1			27				PANEL, Quarter Inner Right, Rear
	05067391AB	1			27				Left, Rear
8	05067224AB	1	C		27				TROUGH, Liftgate Opening Right
	05067225AB	1	C		27				Left
9	05067225AB	1							REINFORCEMENT, Quarter Panel, Service with # 14, (NOT SERVICED)
10	05067318AA	1			27				BRACKET, Quarter Panel Right
	05067319AA	1			27				Left
11	05140599AA	1			27				PILLAR, Front Hinge Left
	05140598AA	1			27				Right
12									REINFORCEMENT, Quarter Panel

PT CRUISER (PT)

SERIES LINE
H = HIGHLINE C = CHRYSLER
P = PREMIUM Z = CHRYSLER (RHD)
S = SPORT
X = SPECIAL

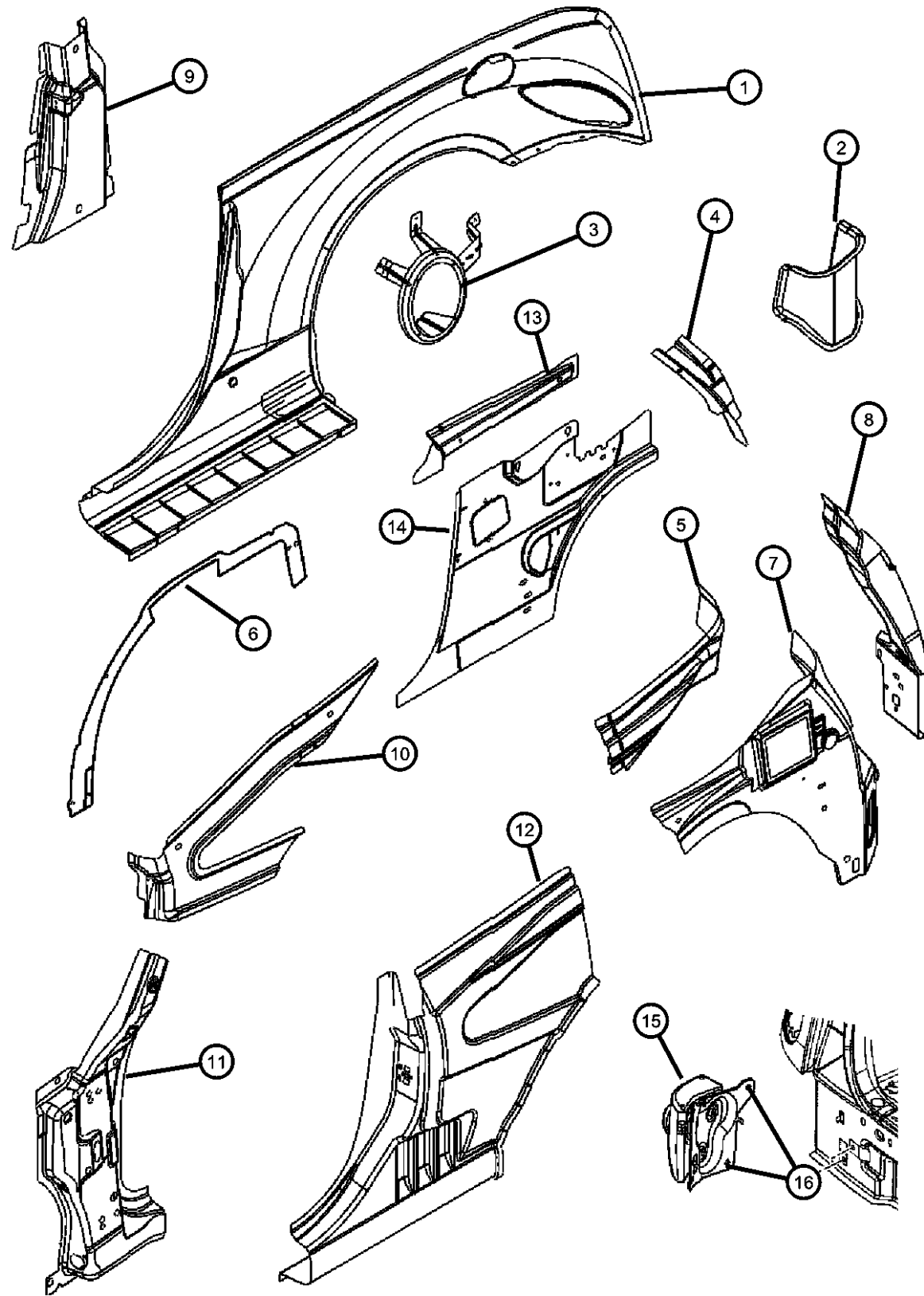
BODY
27 = 2-DR CONVERTIBLE
44 = HATCHBACK/QUAD
CAB CHASSIS LWB

ENGINE TRANSMISSION
EDJ = 2.2L 4 Cyl Turbo Diesel Engine
EDT = 2.4L 4 Cyl DOHC 16V Turbo Engine
EDV = 2.4L 4 Cyl DOHC 16V HO Turbo Engine
EDZ = 2.4L 4 Cyl DOHC 16V SMPI Engine
EJD = 1.6L 4 Cyl SOHC 16V SMPI
DGL = 4-Speed Automatic Transmission
DD5 = 5-Speed Manual Transmission
DDD = 5-Speed HD Manual Transmission

AR = use ase required - = Non illustrated part

2006 PT

Quarter Panel - 27 Body
Figure SPT-910



ITEM	PART NUMBER	QTY	LINE	SERIES	BODY	ENGINE	TRANS	TRIM	DESCRIPTION
	05067316AD	1			27				Right
	05067317AD	1			27				Left
13	05067314AA	1			27				REINFORCEMENT, Quarter Inner
	05067315AA	1			27				Right
	05067315AA	1			27				Left
14	05067430AC	1	C		27				PANEL, Quarter Inner
	05067431AC	1	C		27				Right
	05067431AC	1			27				Left
15	05067574AA	1			27				DAMPER, Mass
16	05097692AA	4			27				SCREW, M8x20

PT CRUISER (PT)

SERIES LINE
H = HIGHLINE C = CHRYSLER
P = PREMIUM Z = CHRYSLER (RHD)
S = SPORT
X = SPECIAL

BODY
27 = 2-DR CONVERTIBLE
44 = HATCHBACK/QUAD
CAB CHASSIS LWB

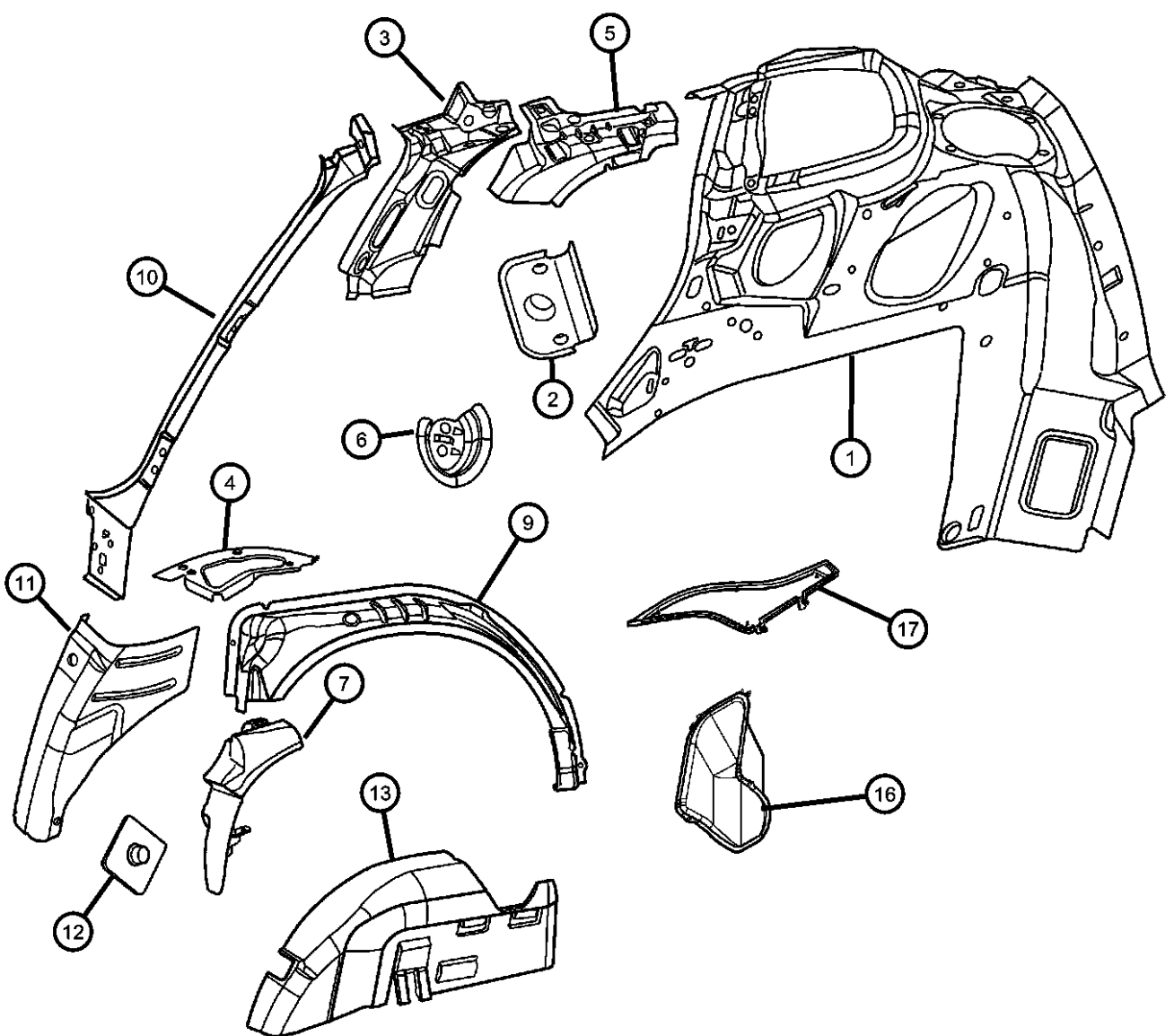
ENGINE
EDJ = 2.2L 4 Cyl Turbo Diesel Engine
EDT = 2.4L 4 Cyl DOHC 16V Turbo Engine
EDV = 2.4L 4 Cyl DOHC 16V HO Turbo Engine
EDZ = 2.4L 4 Cyl DOHC 16V SMPI Engine
EJD = 1.6L 4 Cyl SOHC 16V SMPI

TRANSMISSION
DGL = 4-Speed Automatic Transmission
DD5 = 5-Speed Manual Transmission
DDD = 5-Speed HD Manual Transmission

AR = use ase required - = Non illustrated part

2006 PT

**Quater Panel - 44 Body
Figure SPT-915**



ITEM	PART NUMBER	QTY	LINE	SERIES	BODY	ENGINE	TRANS	TRIM	DESCRIPTION
1	05017566AD	1			44				PANEL, Quarter Inner Right
	05017567AD	1			44				Left
2	05017567AD	1							TAPPING PLATE, Serviced in Panel Assembly, (NOT SERVICED)
3	04724692AB	1			44				PANEL, D Pillar Right
	04724693AB	1			44				Left
4	04724706AB	1							REINFORCEMENT, Quarter Inner Right
	04724707AB	1							Left
5	04724712AC	1			44				REINFORCEMENT, D Pillar Upper Right
	04724713AC	1			44				Left
6	04724714AD	1			44				REINFORCEMENT, Quarter Inner Right
	04724715AD	1			44				Left
7	05027678AB	1							SHIELD, Wheelhouse Right
	05027679AB	1							Left
-8	06503943	3							RETAINER Splash Shield Attaching, Right
		2							Splash Shield Attaching, Left
9	04724622AD	1							PANEL, Rear Wheelhouse Right
	04724623AD	1							Left
10	05027050AC	1			44				TROUGH, Liftgate Opening Right
	05027051AC	1			44				Left
11	05017436AB	1							EXTENSION, Wheel House Right
	05017437AB	1							Left

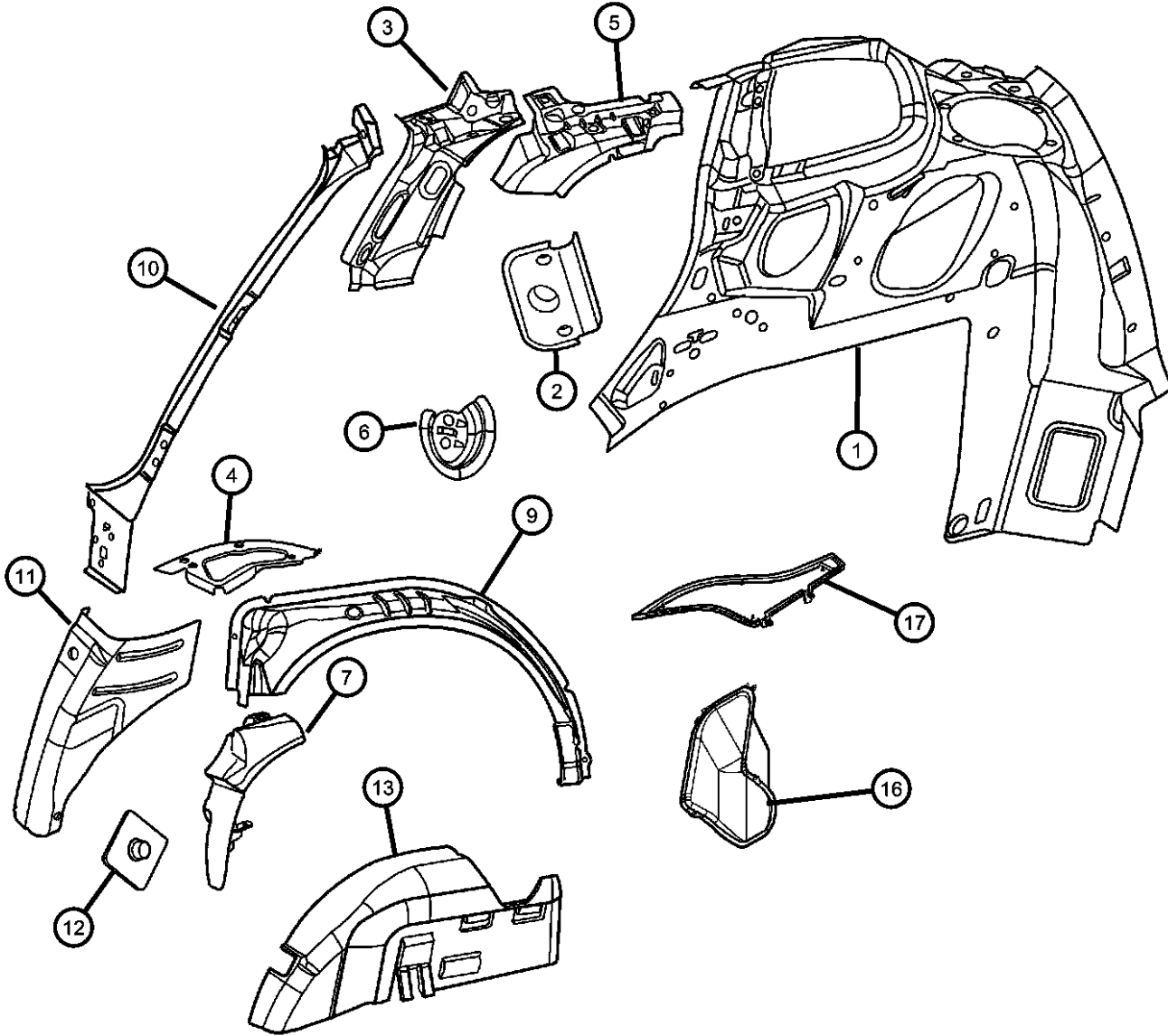
PT CRUISER (PT)

SERIES	LINE	BODY	ENGINE	TRANSMISSION
H = HIGHLINE	C = CHRYSLER	27 = 2-DR CONVERTIBLE	EDJ = 2.2L 4 Cyl Turbo Diesel Engine	DGL = 4-Speed Automatic Transmission
P = PREMIUM	Z = CHRYSLER (RHD)	44 = HATCHBACK/QUAD CAB CHASSIS LWB	EDT = 2.4L 4 Cyl DOHC 16V Turbo Engine	DD5 = 5-Speed Manual Transmission
S = SPORT			EDV = 2.4L 4 Cyl DOHC 16V HO Turbo Engine	DDD = 5-Speed HD Manual Transmission
X = SPECIAL			EDZ = 2.4L 4 Cyl DOHC 16V SMPI Engine	
			EJD = 1.6L 4 Cyl SOHC 16V SMPI	

AR = use ase required - = Non illustrated part

Quater Panel - 44 Body
Figure SPT-915

ITEM	PART NUMBER	QTY	LINE	SERIES	BODY	ENGINE	TRANS	TRIM	DESCRIPTION
12	05017437AB	1							TAPPING PLATE, Liftgate Strut, Serviced in Extension, Wheelhouse, (NOT SERVICED)
13									SILENCER, Wheelhouse
	05027084AB	1			44				Right
	05027085AB	1			44				Left
-14	05073239AA	1							EXHAUSTER, Bodyside Aperture
-15	0SJ58DX9AD	2			44				EXHAUSTER, A/C Air
16	05067141AA	1			44				COVER, Fuel Filler Tube
17									BAFFLE, Quarter Inner
	05027058AF	1			44				Right
	05027059AD	1			44				Left
-18	04724724AA	2			44				BRACKET, Quarter Trim



PT CRUISER (PT)

SERIES LINE
H = HIGHLINE C = CHRYSLER
P = PREMIUM Z = CHRYSLER (RHD)
S = SPORT
X = SPECIAL

BODY
27 = 2-DR CONVERTIBLE
44 = HATCHBACK/QUAD
CAB CHASSIS LWB

ENGINE
EDJ = 2.2L 4 Cyl Turbo Diesel Engine
EDT = 2.4L 4 Cyl DOHC 16V Turbo Engine
EDV = 2.4L 4 Cyl DOHC 16V HO Turbo Engine
EDZ = 2.4L 4 Cyl DOHC 16V SMPI Engine
EJD = 1.6L 4 Cyl SOHC 16V SMPI

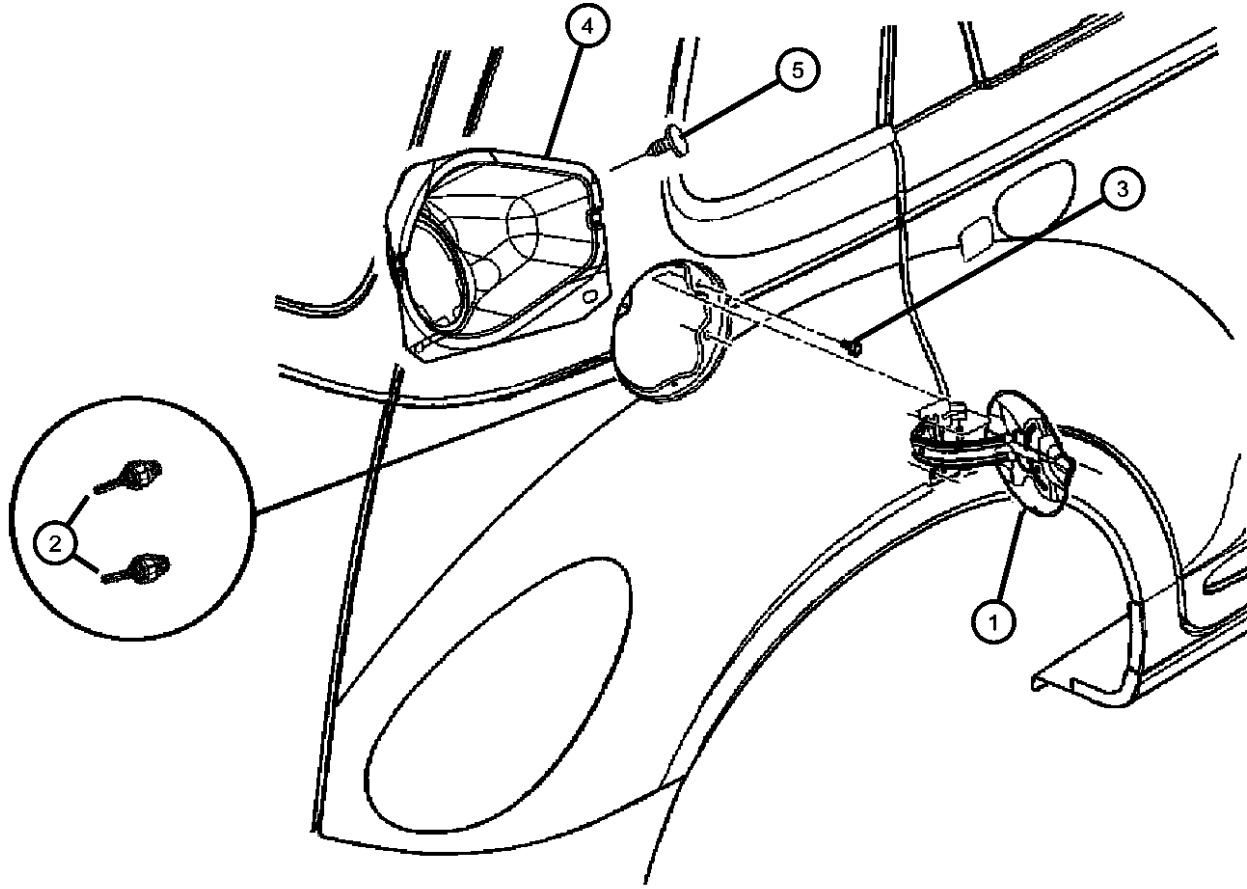
TRANSMISSION
DGL = 4-Speed Automatic Transmission
DD5 = 5-Speed Manual Transmission
DDD = 5-Speed HD Manual Transmission

AR = use ase required - = Non illustrated part

2006 PT

Fuel Filler Door
Figure SPT-920

ITEM	PART NUMBER	QTY	LINE	SERIES	BODY	ENGINE	TRANS	TRIM	DESCRIPTION
1	04724669AC	1			44				DOOR, Fuel Fill Without [XJE]
	05067143AB	1			44				With [XJE]
	05067387AA	1			27				
2									BUMPER, Fuel Door
	05027136AA	2			44				
	05067529AA	2			27				
3	06503318	2							SCREW, Pan Head Tapping, M6x1x11
4									HOUSING, Fuel Filler
	04724678AB	1			44				
	05067386AB	1			27				
5	06034608	4							PIN, Headline, Fuel Filler Attaching



PT CRUISER (PT)

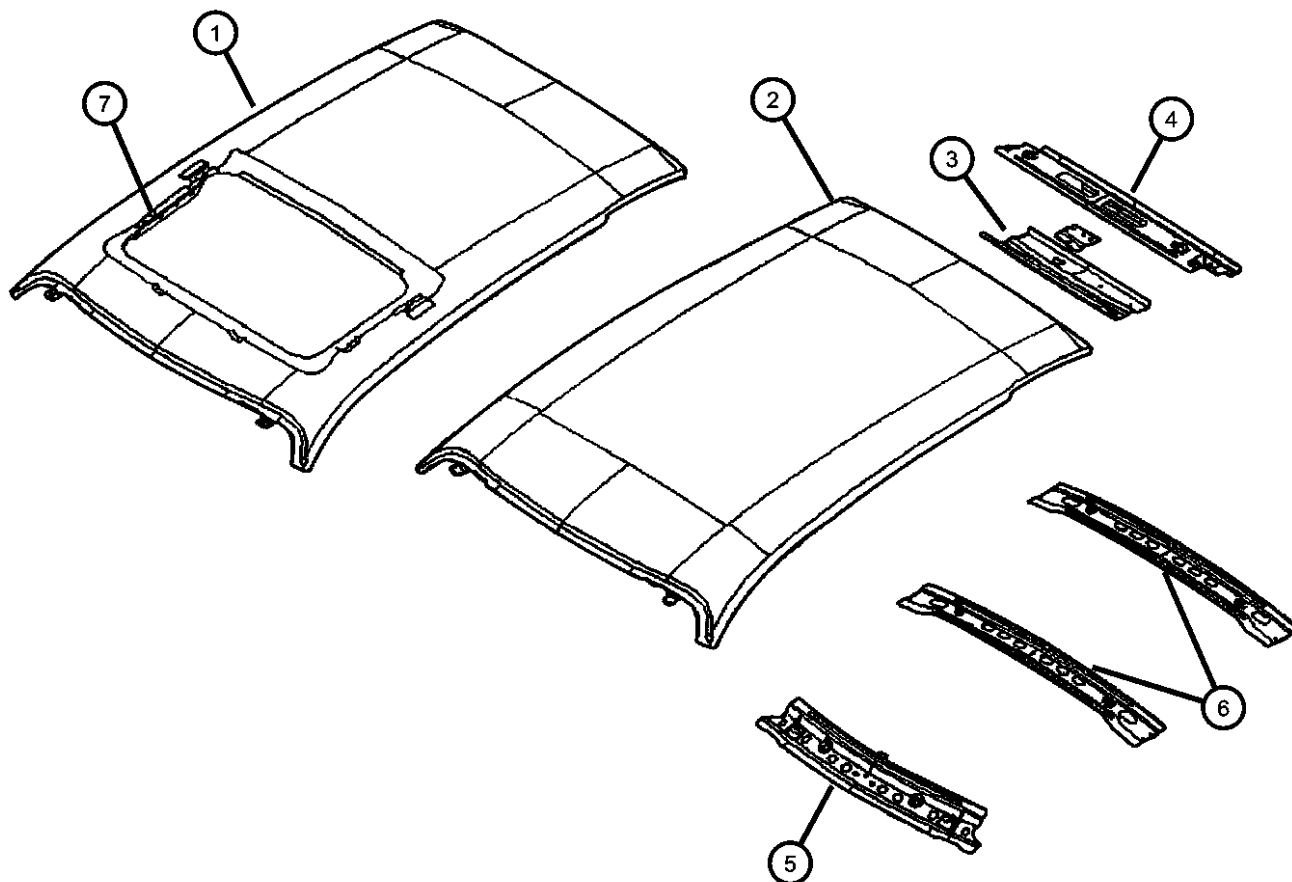
SERIES	LINE	BODY	ENGINE	TRANSMISSION
H = HIGHLINE	C = CHRYSLER	27 = 2-DR CONVERTIBLE	EDJ = 2.2L 4 Cyl Turbo Diesel Engine	DGL = 4-Speed Automatic Transmission
P = PREMIUM	Z = CHRYSLER (RHD)	44 = HATCHBACK/QUAD CAB CHASSIS LWB	EDT = 2.4L 4 Cyl DOHC 16V Turbo Engine	DD5 = 5-Speed Manual Transmission
S = SPORT			EDV = 2.4L 4 Cyl DOHC 16V HO Turbo Engine	DDD = 5-Speed HD Manual Transmission
X = SPECIAL			EDZ = 2.4L 4 Cyl DOHC 16V SMPI Engine	
			EJD = 1.6L 4 Cyl SOHC 16V SMPI	

AR = use ase required - = Non illustrated part

2006 PT

Roof Panel - 44 Body
Figure SPT-1110

ITEM	PART NUMBER	QTY	LINE	SERIES	BODY	ENGINE	TRANS	TRIM	DESCRIPTION
1	04724525AB	AR			44				ROOF, Sunroof
2	04724524AB	1			44				ROOF
3	04724619AA	1			44				FRAME, Liftgate Opening
4	05027048AC	1			44				FRAME, Liftgate Opening
5	04724519AB	1			44				FRAME, Windshield
6	05257990AC	1			44				BOW, Roof
7	05027898AC	1			44				REINFORCEMENT, Sunroof Opening



PT CRUISER (PT)

SERIES LINE
H = HIGHLINE C = CHRYSLER
P = PREMIUM Z = CHRYSLER (RHD)
S = SPORT
X = SPECIAL

BODY
27 = 2-DR CONVERTIBLE
44 = HATCHBACK/QUAD
CAB CHASSIS LWB

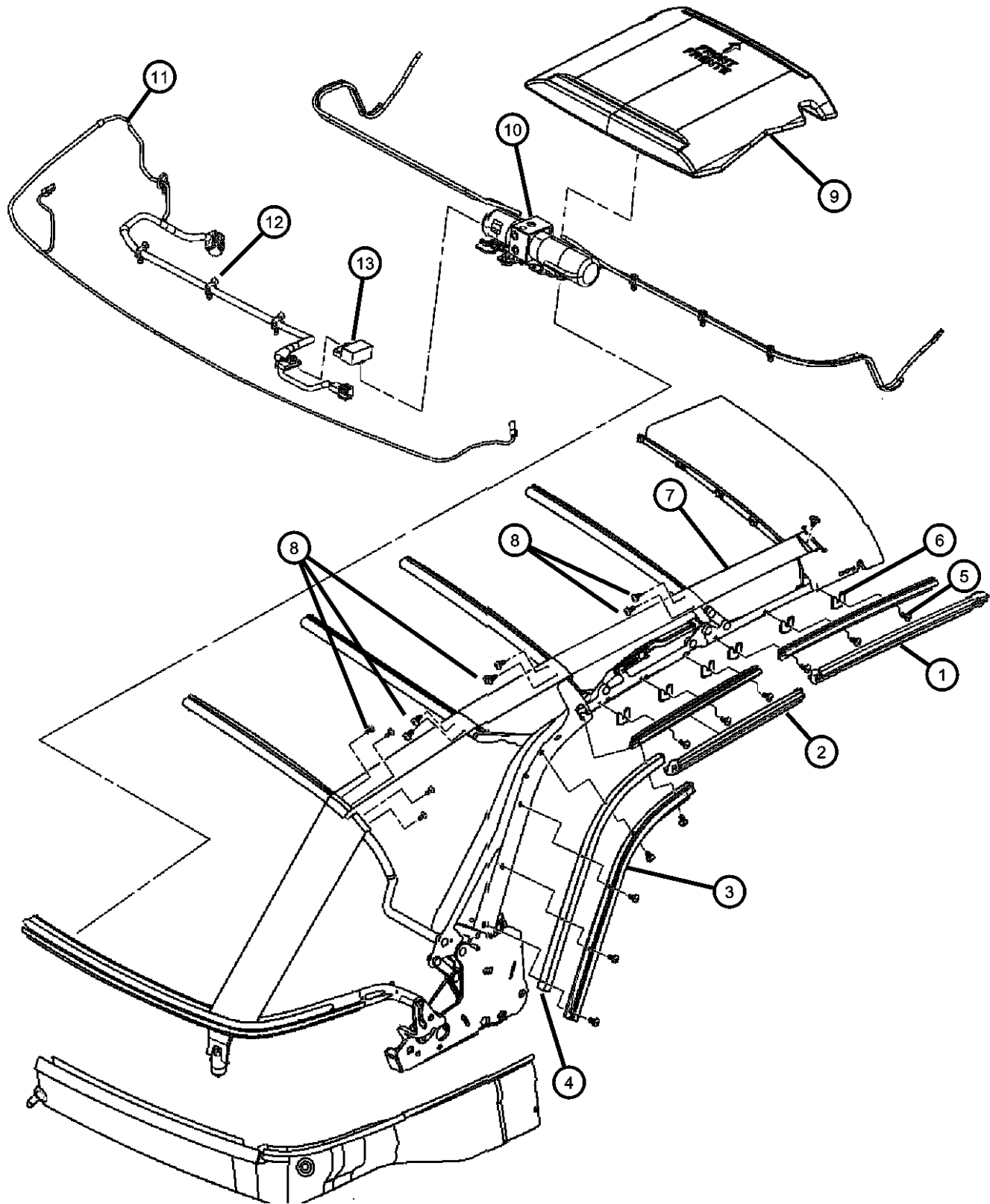
ENGINE
EDJ = 2.2L 4 Cyl Turbo Diesel Engine
EDT = 2.4L 4 Cyl DOHC 16V Turbo Engine
EDV = 2.4L 4 Cyl DOHC 16V HO Turbo Engine
EDZ = 2.4L 4 Cyl DOHC 16V SMPI Engine
EJD = 1.6L 4 Cyl SOHC 16V SMPI

TRANSMISSION
DGL = 4-Speed Automatic Transmission
DD5 = 5-Speed Manual Transmission
DDD = 5-Speed HD Manual Transmission

AR = use ase required - = Non illustrated part

2006 PT

**Convertible Motor and Weatherstrips
Figure SPT-1115**



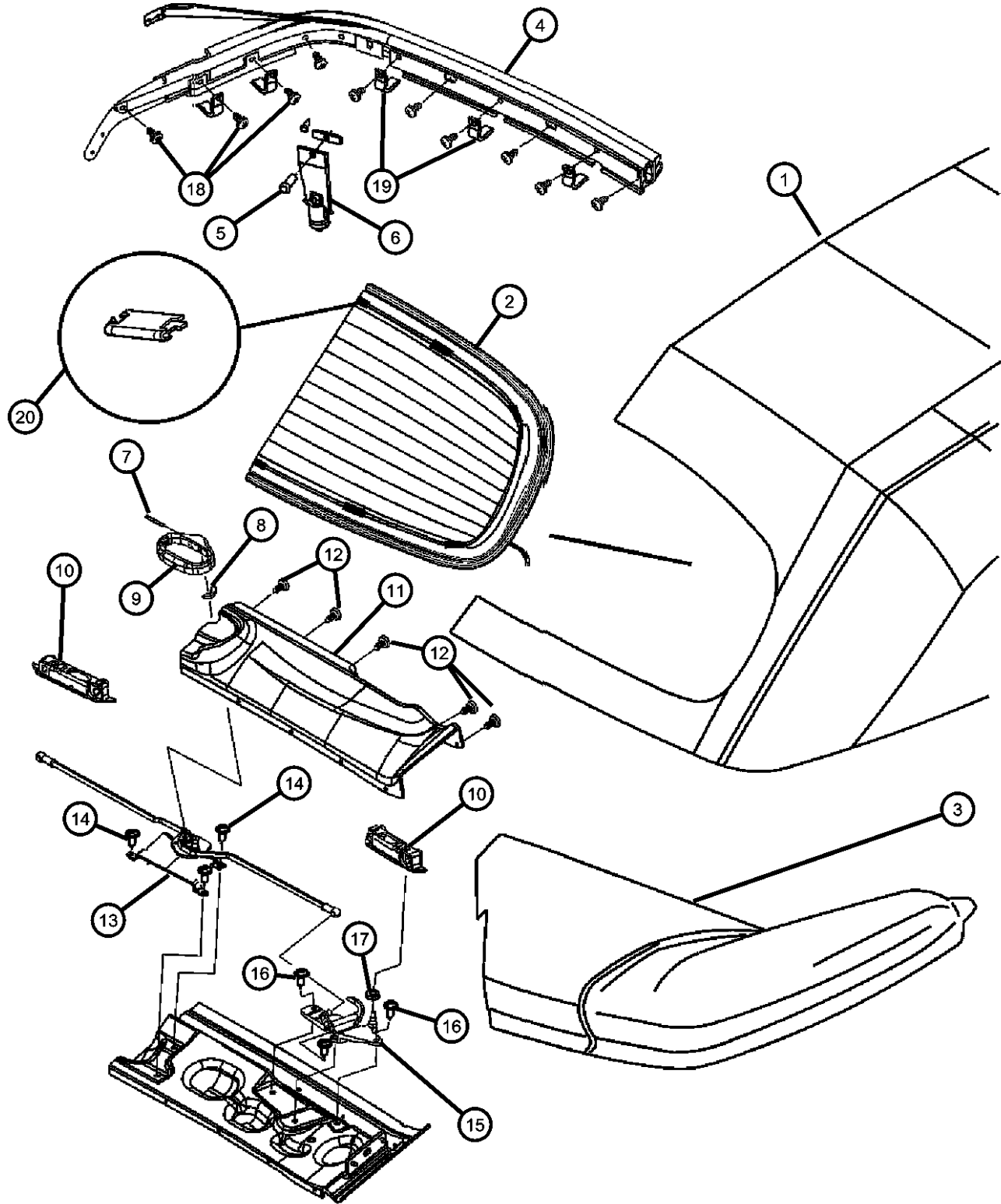
ITEM	PART NUMBER	QTY	LINE	SERIES	BODY	ENGINE	TRANS	TRIM	DESCRIPTION
1	05114398AB	1			27				SEAL, Front Right
	05114399AB	1			27				Left
2	05127356AB	1			27				SEAL, Center Right
	05127357AB	1			27				Left
3	05127359AB	1			27				SEAL, Rear Left
	05127358AB	1			27				Right
4	68004737AA	1			27				RETAINER, Weatherstrip Front, Left
	68004738AA	1			27				Center, Right
	68004739AA	1			27				Center, Left
	68004740AA	1			27				Rear, Right
	68004741AA	1			27				Rear, Left
	68004736AA	1			27				Front, Right
5	05139731AA	1			27				SCREW
6	05127354AA	1			27				SPACER
7	05127338AA	1			27				STAYPAD ASSEMBLY, Folding Top Right
	05127339AA	1			27				Left
8	05139822AA	1			27				SCREW
9	05127646AA	1			27				COVER, Pump
10	05127344AB	1			27				PUMP ASSY, Folding Top
11	04795838AA	1			27				WIRING, Convertible Top
12	05139817AA	1			27				RIVET
13	05139817AA	1							RELAY, Electrical, See Group 8A, (NOT SERVICED)
-14	68018970AA	1			27				SCREW, Hydraulic Cylinder, PAN HEADUpper
-15	05170346AA	1			27				SCREW, Hydraulic Cylinder, Allen HeadLower

PT CRUISER (PT)

SERIES	LINE	BODY	ENGINE	TRANSMISSION
H = HIGHLINE	C = CHRYSLER	27 = 2-DR CONVERTIBLE	EDJ = 2.2L 4 Cyl Turbo Diesel Engine	DGL = 4-Speed Automatic Transmission
P = PREMIUM	Z = CHRYSLER (RHD)	44 = HATCHBACK/QUAD CAB CHASSIS LWB	EDT = 2.4L 4 Cyl DOHC 16V Turbo Engine	DD5 = 5-Speed Manual Transmission
S = SPORT			EDV = 2.4L 4 Cyl DOHC 16V HO Turbo Engine	DDD = 5-Speed HD Manual Transmission
X = SPECIAL			EDZ = 2.4L 4 Cyl DOHC 16V SMPI Engine	
			EJD = 1.6L 4 Cyl SOHC 16V SMPI	

AR = use ase required - = Non illustrated part

**Convertible Top and Latch Assembly
Figure SPT-1120**



ITEM	PART NUMBER	QTY	LINE	SERIES	BODY	ENGINE	TRANS	TRIM	DESCRIPTION
1									COVER ASSEMBLY, Soft Top Fabric
	0ZG99DKCAB	1			27				[VHJ]
	0ZG99FX9AB	1			27				[VHX]
2	05101810AA	1			27				BACKLITE
	DB10796GTN								Collision Replacement Glass
3									BOOT, Folding Top
	0XC31BDAAG	1			27				[DA]
	0XC31DKAAG	1			27				[KA]
	1AM21BDAAD	1			27				[DA] , Market 'B'
	1AM21DKAAD	1			27				[KA] , Market 'B'
4	05127353AA	1			27				SEAL, Floating Bow
5	05139822AA	1			27				SCREW
6	05127337AA	1			27				TENSIONER, Folding Top
7	05127350AA	1			27				CLIP
8	05127645AA	1			27				GAP HIDER, Bezel
9	05127348AA	1			27				HANDLE, Latch
10	05127348AA	1							RETAINER, Folding Top Latch, (NOT SERVICED)
11	05127351AA	1			27				PANEL, Header
12	05127351AA	1							SCREW, (NOT SERVICED)
13	05127342AA	1			27				LINKAGE, Latch
14	05127361AA	1			27				SCREW, M6x16
15									CATCH, Folding Top
	05127340AA	1			27				Right
	05127341AA	1			27				Left
16	05127360AA	1			27				SCREW, M6x16
17	05127349AA	1			27				GROMMET, Dowel Pin
18	05139820AA	1			27				SCREW
19	05127355AA	1			27				CLIP, Bow Seal
20	05166735AA	2			27				CLIP PACKAGE, Backlite Frame To Headliner

PT CRUISER (PT)

SERIES LINE
H = HIGHLINE C = CHRYSLER
P = PREMIUM Z = CHRYSLER (RHD)
S = SPORT
X = SPECIAL

BODY
27 = 2-DR CONVERTIBLE
44 = HATCHBACK/QUAD
CAB CHASSIS LWB

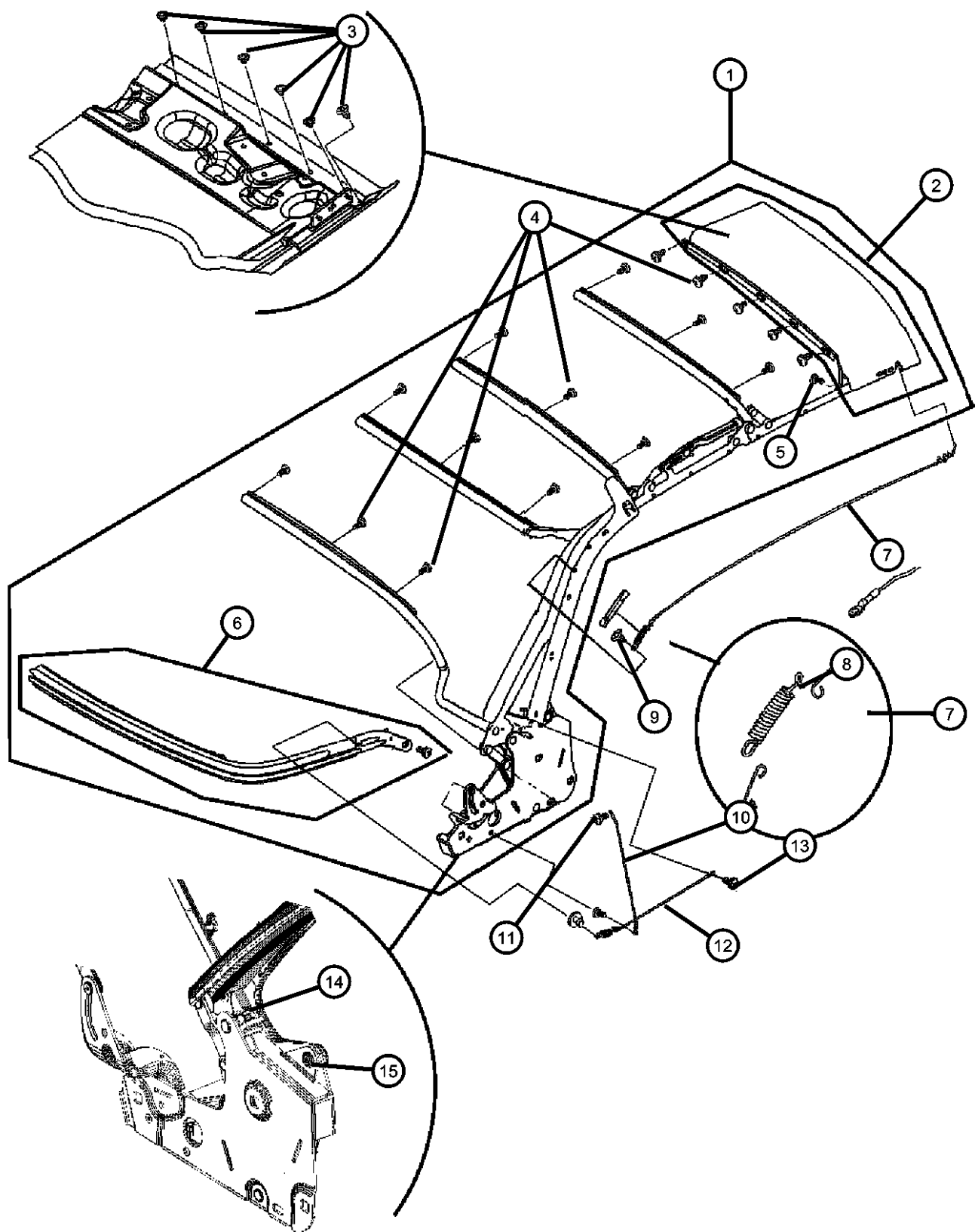
ENGINE
EDJ = 2.2L 4 Cyl Turbo Diesel Engine
EDT = 2.4L 4 Cyl DOHC 16V Turbo Engine
EDV = 2.4L 4 Cyl DOHC 16V HO Turbo Engine
EDZ = 2.4L 4 Cyl DOHC 16V SMPI Engine
EJD = 1.6L 4 Cyl SOHC 16V SMPI

TRANSMISSION
DGL = 4-Speed Automatic Transmission
DD5 = 5-Speed Manual Transmission
DDD = 5-Speed HD Manual Transmission

AR = use ase required - = Non illustrated part

2006 PT

**Rail System , Header , Cables and Attaching Screws
Figure SPT-1125**



ITEM	PART NUMBER	QTY	LINE	SERIES	BODY	ENGINE	TRANS	TRIM	DESCRIPTION
1	05179853AA	1			27				FRAME ASSEMBLY, Convertible Top
2	05179852AA	1			27				HEADER, Folding Top
3	05139821AA	1			27				SCREW
4	05139822AA	1			27				SCREW
5	05139833AA	1			27				SCREW
6	05179851AA	1			27				BOW, Folding Top, Rear
7	05127343AA	1			27				CABLE, Side Tension
8	05139829AA	1			27				SPRING, Not Included With Cable
9	05139830AA	1			27				RIVET
10	05139828AA	1			27				CABLE
11	05139822AA	1			27				SCREW
12	05179850AA	1			27				CABLE, Side Tension
13	05139823AA	1			27				SCREW
14	05179847AA	1			27				UPSTOP, Folding top, Upstop and nut
15									BOLT, Main Control Link
	05179848AA	1			27				Short Shoulder
	05179849AA	1			27				Long Shoulder

PT CRUISER (PT)

SERIES LINE
H = HIGHLINE C = CHRYSLER
P = PREMIUM Z = CHRYSLER (RHD)
S = SPORT
X = SPECIAL

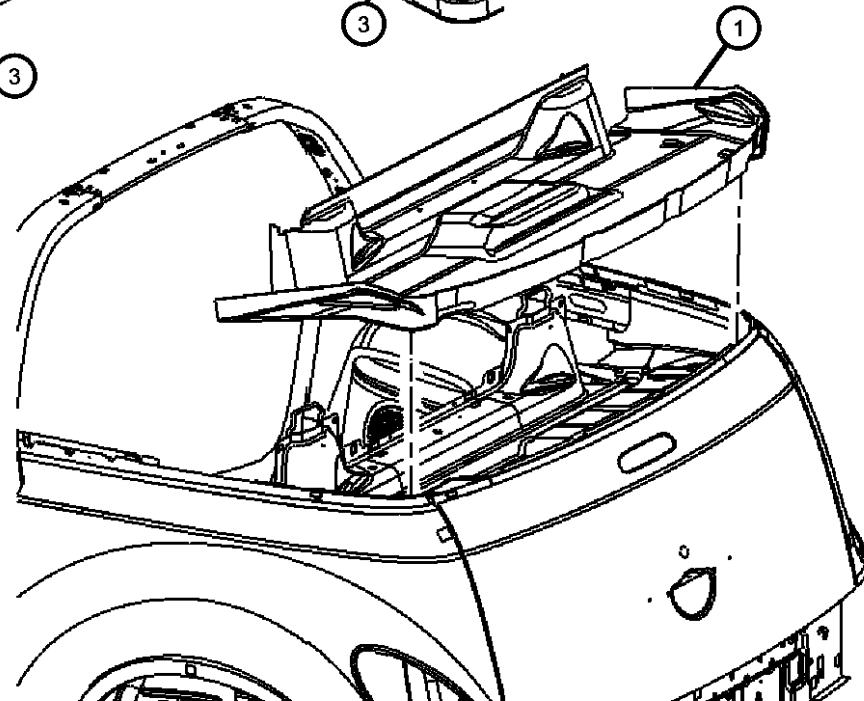
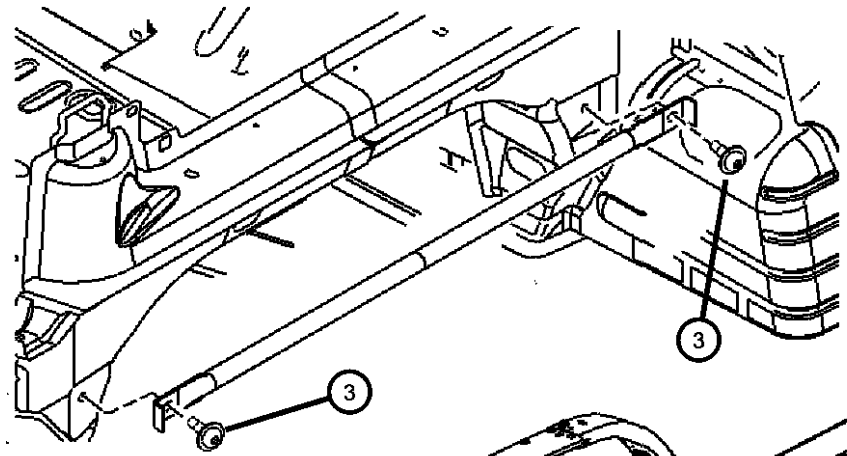
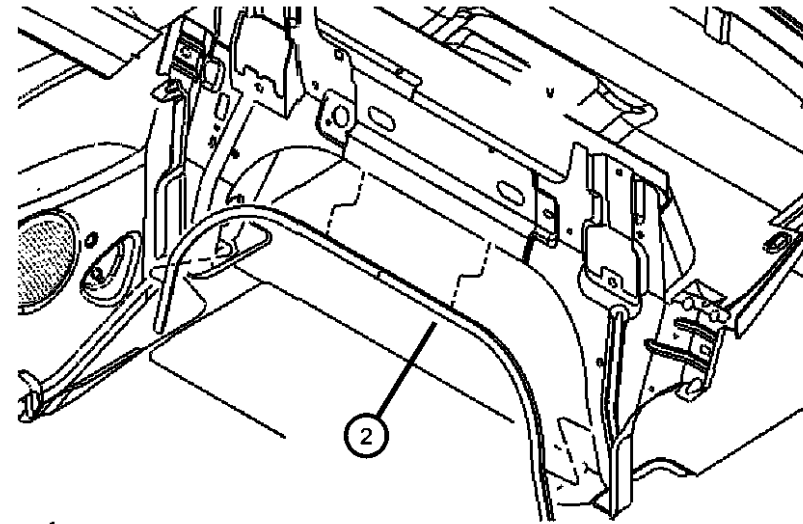
BODY
27 = 2-DR CONVERTIBLE
44 = HATCHBACK/QUAD
CAB CHASSIS LWB

ENGINE TRANSMISSION
EDJ = 2.2L 4 Cyl Turbo Diesel Engine
EDT = 2.4L 4 Cyl DOHC 16V Turbo Engine
EDV = 2.4L 4 Cyl DOHC 16V HO Turbo Engine
EDZ = 2.4L 4 Cyl DOHC 16V SMPI Engine
EJD = 1.6L 4 Cyl SOHC 16V SMPI
DGL = 4-Speed Automatic Transmission
DD5 = 5-Speed Manual Transmission
DDD = 5-Speed HD Manual Transmission

AR = use ase required - = Non illustrated part

Top Well Convertible Top
Figure SPT-1130

ITEM	PART NUMBER	QTY	LINE	SERIES	BODY	ENGINE	TRANS	TRIM	DESCRIPTION
1	0XC46VXLAA	1			27				SLINGWELL, Folding Top
2	0XC26XXXAA	1			27				MOLDING, Cargo Door
3	06035992AA	2			27				SCREW AND WASHER, Pan Head, .437-20x1.20



PT CRUISER (PT)

SERIES LINE
H = HIGHLINE C = CHRYSLER
P = PREMIUM Z = CHRYSLER (RHD)
S = SPORT
X = SPECIAL

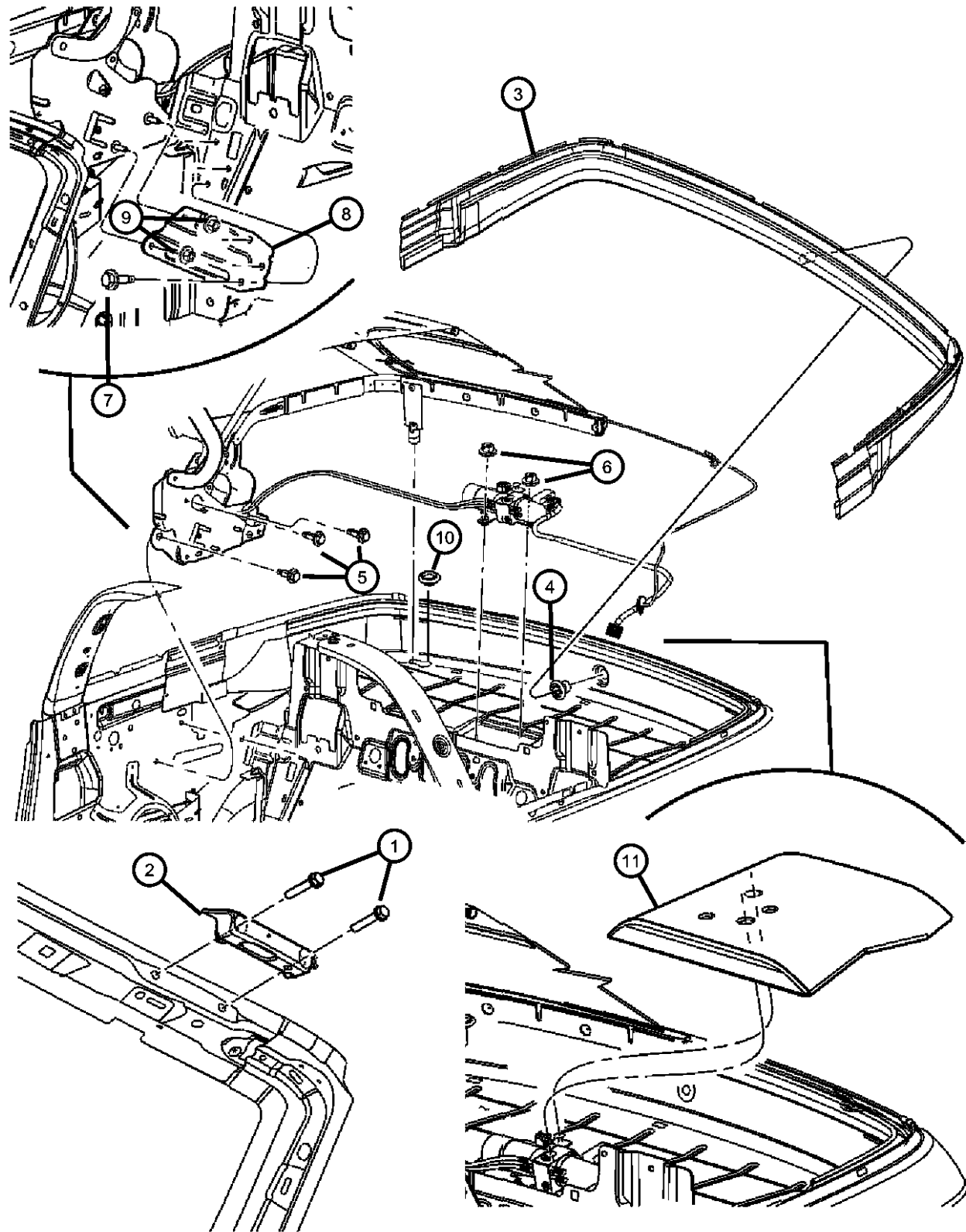
BODY
27 = 2-DR CONVERTIBLE
44 = HATCHBACK/QUAD
CAB CHASSIS LWB

ENGINE TRANSMISSION
EDJ = 2.2L 4 Cyl Turbo Diesel Engine
EDT = 2.4L 4 Cyl DOHC 16V Turbo Engine
EDV = 2.4L 4 Cyl DOHC 16V HO Turbo Engine
EDZ = 2.4L 4 Cyl DOHC 16V SMPI Engine
EJD = 1.6L 4 Cyl SOHC 16V SMPI
DGL = 4-Speed Automatic Transmission
DD5 = 5-Speed Manual Transmission
DDD = 5-Speed HD Manual Transmission

AR = use ase required - = Non illustrated part

2006 PT

Convertible Top - Attaching Parts
Figure SPT-1135



ITEM	PART NUMBER	QTY	LINE	SERIES	BODY	ENGINE	TRANS	TRIM	DESCRIPTION
1	06101980	4			27				SCREW AND WASHER, Hex Head, M8x1.25x45
2									RETAINER, Latch
	05067146AD	1			27				Left
	05067147AD	1			27				Right
3	05067475AF	1			27				TROUGH, Folding Top
4	05067530AA	1			27				GROMMET
5	06101670	6			27				SCREW AND WASHER, Hex Head, M10x1.50x35
6	06506456AA	2			27				NUT AND WASHER, Hex, M6x1.0
7	06101767	6			27				SCREW AND WASHER, M8x1.25x25
8									BRACKET, Reinforcement to seat structure
	05067522AB	1			27				Right
	05067523AB	1			27				Left
9	06104726AB	2							NUT
10	04780450	2			27				PLUG
11	04780450	2							COVER, (NOT SERVICED)

PT CRUISER (PT)

SERIES LINE
H = HIGHLINE C = CHRYSLER
P = PREMIUM Z = CHRYSLER (RHD)
S = SPORT
X = SPECIAL

BODY
27 = 2-DR CONVERTIBLE
44 = HATCHBACK/QUAD
CAB CHASSIS LWB

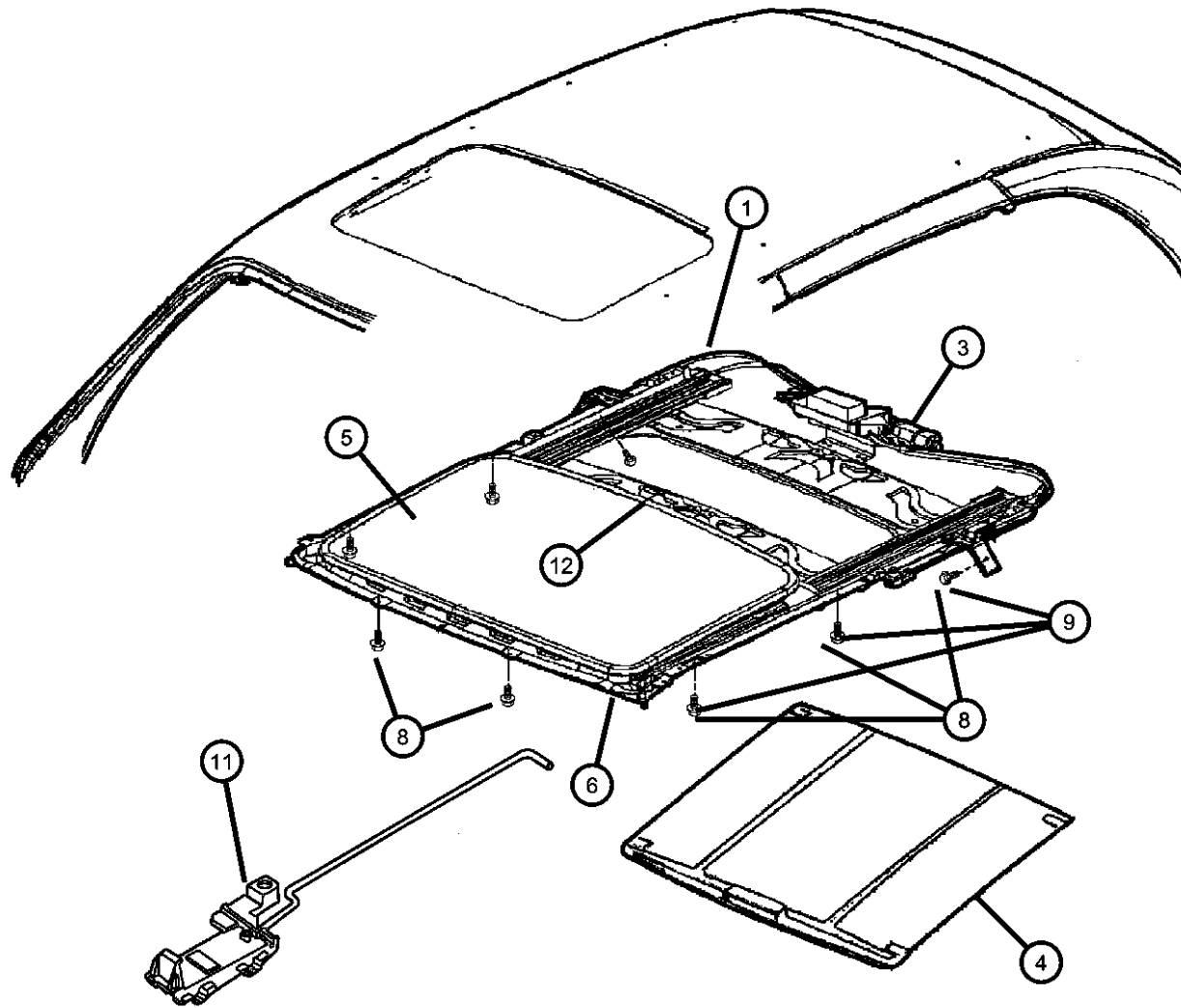
ENGINE
EDJ = 2.2L 4 Cyl Turbo Diesel Engine
EDT = 2.4L 4 Cyl DOHC 16V Turbo Engine
EDV = 2.4L 4 Cyl DOHC 16V HO Turbo Engine
EDZ = 2.4L 4 Cyl DOHC 16V SMPI Engine
EJD = 1.6L 4 Cyl SOHC 16V SMPI

TRANSMISSION
DGL = 4-Speed Automatic Transmission
DD5 = 5-Speed Manual Transmission
DDD = 5-Speed HD Manual Transmission

AR = use ase required - = Non illustrated part

2006 PT

Sunroof
Figure SPT-1210



ITEM	PART NUMBER	QTY	LINE	SERIES	BODY	ENGINE	TRANS	TRIM	DESCRIPTION
1	05101843AA	1			44				FRAME, Sunroof
-2	05016634AC	1			44				DEFLECTOR, Sunroof Wind
3	05096260AA	1			44				MOTOR, Sunroof
4	0XZ23DW1AB	1			44				SUNSHADE, Sunroof
5	05016632AB	1			44				GLASS, Sunroof
6	05016638AB	1			44				SEAL, Sunroof Glass
-7	0XZ24DW1AB	1			44				TRIM LACE, Sunroof
8	06505728AA	8			44				SCREW AND WASHER, Hex Head, M6x1x17
9	06101442	1							U-NUT, M6 x 1.00, M6x1.00
-10	05096261AB	1			44				WIRING, Sunroof
11	05066433AC	1			44				GUIDE, Sunroof Track
12	05101844AA	1			44				BRACE, WATER TROUGH

PT CRUISER (PT)

SERIES LINE
H = HIGHLINE C = CHRYSLER
P = PREMIUM Z = CHRYSLER (RHD)
S = SPORT
X = SPECIAL

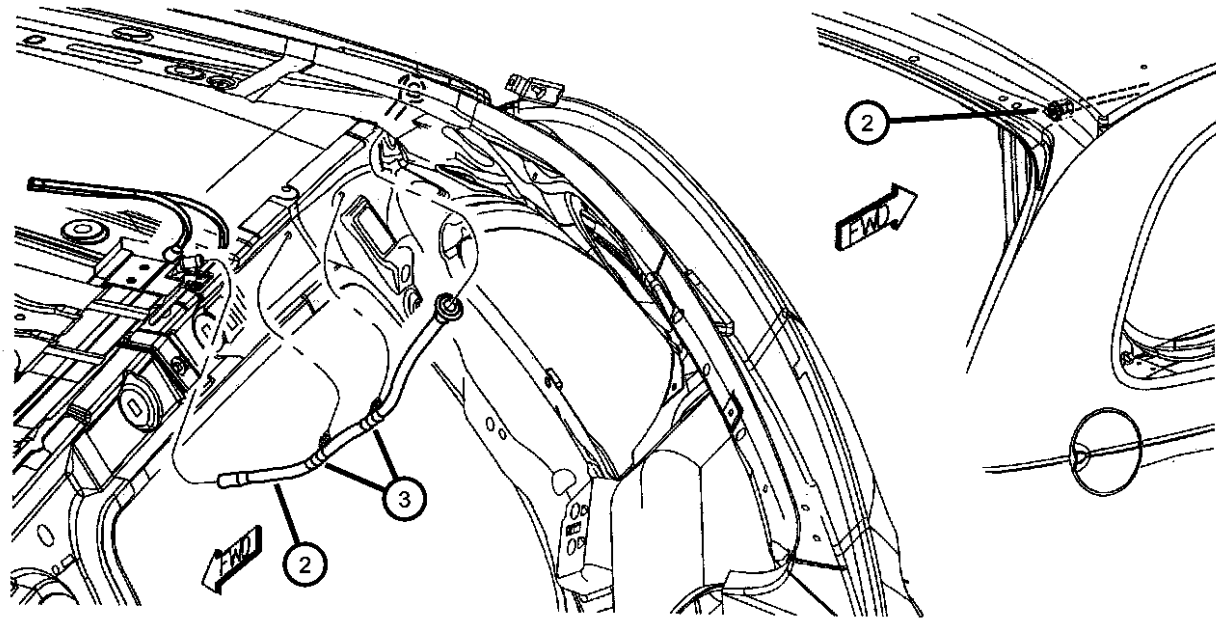
BODY
27 = 2-DR CONVERTIBLE
44 = HATCHBACK/QUAD
CAB CHASSIS LWB

ENGINE TRANSMISSION
EDJ = 2.2L 4 Cyl Turbo Diesel Engine DGL = 4-Speed Automatic Transmission
EDT = 2.4L 4 Cyl DOHC 16V Turbo Engine DD5 = 5-Speed Manual Transmission
EDV = 2.4L 4 Cyl DOHC 16V HO Turbo Engine DDD = 5-Speed HD Manual Transmission
EDZ = 2.4L 4 Cyl DOHC 16V SMPI Engine
EJD = 1.6L 4 Cyl SOHC 16V SMPI

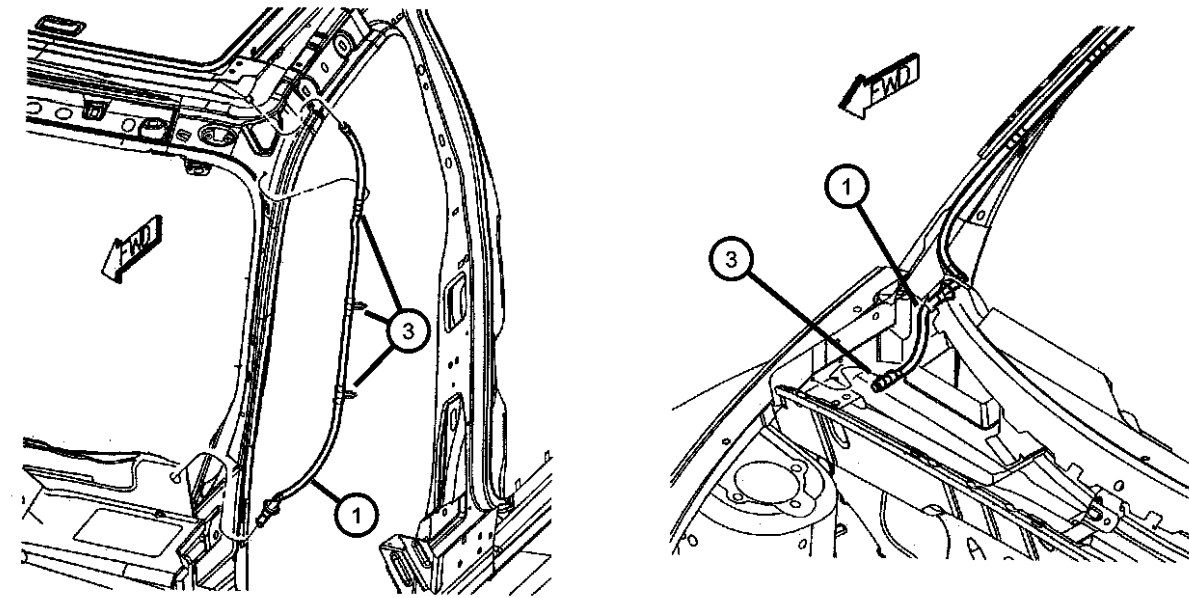
AR = use ase required - = Non illustrated part

2006 PT

Sunroof Drain Hoses
Figure SPT-1220



FRONT



REAR

ITEM	PART NUMBER	QTY	LINE	SERIES	BODY	ENGINE	TRANS	TRIM	DESCRIPTION
1	04724539AB	1			44				HOSE, Sunroof Drain
2	04724543AC	1			44				HOSE, Sunroof Drain
	05027724AC	1			44				Water Deflector Side, Right & Left, Front
3	05027724AC	1							Left LHD, Right RHD, Wiper Motor Side, Front, Front CLIP, (NOT REQUIRED),

PT CRUISER (PT)

SERIES LINE
H = HIGHLINE C = CHRYSLER
P = PREMIUM Z = CHRYSLER (RHD)
S = SPORT
X = SPECIAL

BODY
27 = 2-DR CONVERTIBLE
44 = HATCHBACK/QUAD
CAB CHASSIS LWB

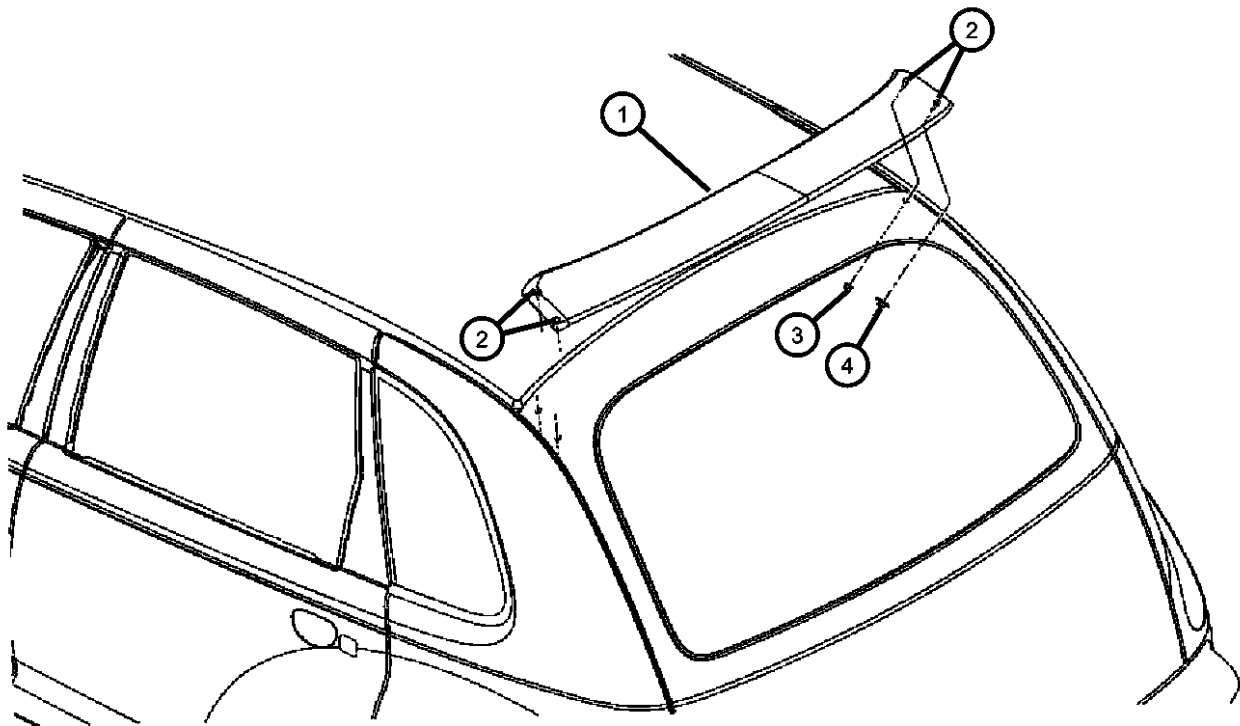
ENGINE TRANSMISSION
EDJ = 2.2L 4 Cyl Turbo Diesel Engine DGL = 4-Speed Automatic Transmission
EDT = 2.4L 4 Cyl DOHC 16V Turbo Engine DD5 = 5-Speed Manual Transmission
EDV = 2.4L 4 Cyl DOHC 16V Turbo Engine DDD = 5-Speed HD Manual Transmission
HO Turbo Engine
EDZ = 2.4L 4 Cyl DOHC 16V SMPI Engine
EJD = 1.6L 4 Cyl SOHC 16V SMPI

AR = use ase required - = Non illustrated part

2006 PT

**Spoiler
Figure SPT-1305**

ITEM	PART NUMBER	QTY	LINE	SERIES	BODY	ENGINE	TRANS	TRIM	DESCRIPTION
1									SPOILER, Liftgate
	0XE36TZZAA	1			44				[B5] , With [MXW]
		1			44				[RH] , With [MXW]
		1			44				[S2] , With [MXW]
		1			44				[WG] , With [MXW]
		1			44				[X8] , With [MXW]
		1			44				[YG] , With [MXW]
	0ZW65TZZAB	1			44				[B5] , With [MXR]
		1			44				[B6] , With [MXR]
	0XE36BPKAA	1			44				[PK] , With [MXW]
	0XE36CB6AA	1			44				[B6] , With [MXW]
		1			44				[PK] , With [MXR]
		1			44				[RH] , With [MXR]
		1			44				[S2] , With [MXR]
		1			44				[WG] , With [MXR]
		1			44				[X8] , With [MXR]
		1			44				[YG] , With [MXR]
	0ZW65TZZAC	1	C, Z		44				[YH] , With [MXR]
2	0ZW65TZZAC	1							SCREW, Serviced in Spoiler Assy., (NOT SERVICED),
3	06102101AA	2	C, Z		44				NUT AND WASHER, Hex, M5x0.80
4	06505953AA	2	C, Z		44				NUT AND WASHER, M6x1



PT CRUISER (PT)

SERIES LINE
H = HIGHLINE C = CHRYSLER
P = PREMIUM Z = CHRYSLER (RHD)
S = SPORT
X = SPECIAL

BODY
27 = 2-DR CONVERTIBLE
44 = HATCHBACK/QUAD
CAB CHASSIS LWB

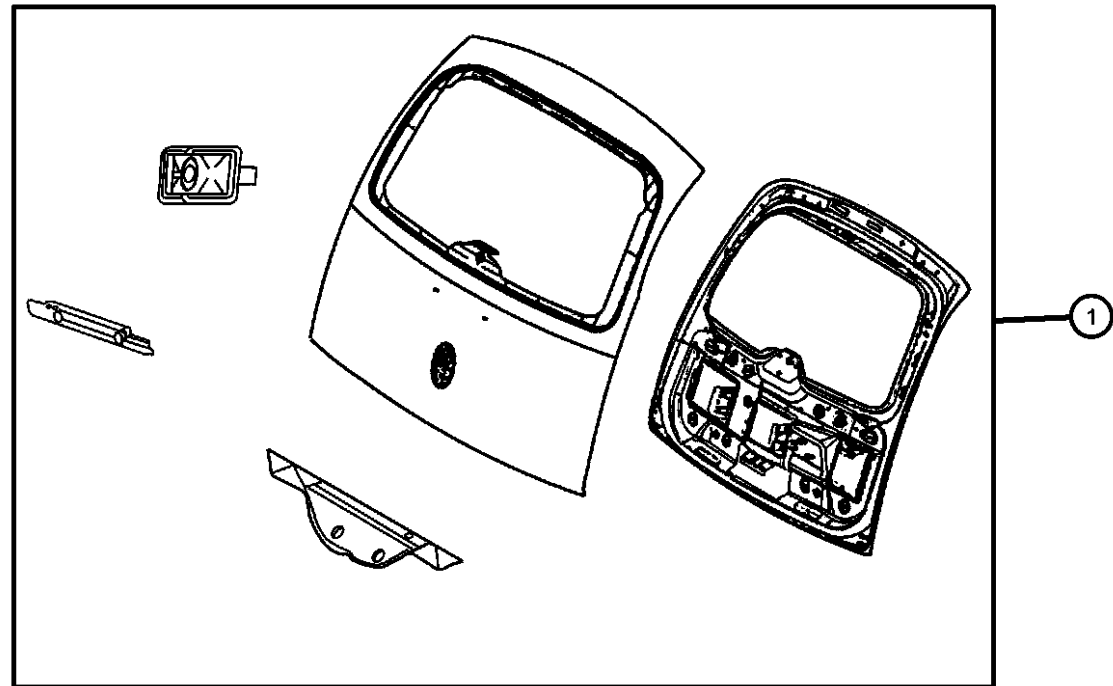
ENGINE
EDJ = 2.2L 4 Cyl Turbo Diesel Engine
EDT = 2.4L 4 Cyl DOHC 16V Turbo Engine
EDV = 2.4L 4 Cyl DOHC 16V HO Turbo Engine
EDZ = 2.4L 4 Cyl DOHC 16V SMPI Engine
EJD = 1.6L 4 Cyl SOHC 16V SMPI

TRANSMISSION
DGL = 4-Speed Automatic Transmission
DD5 = 5-Speed Manual Transmission
DDD = 5-Speed HD Manual Transmission

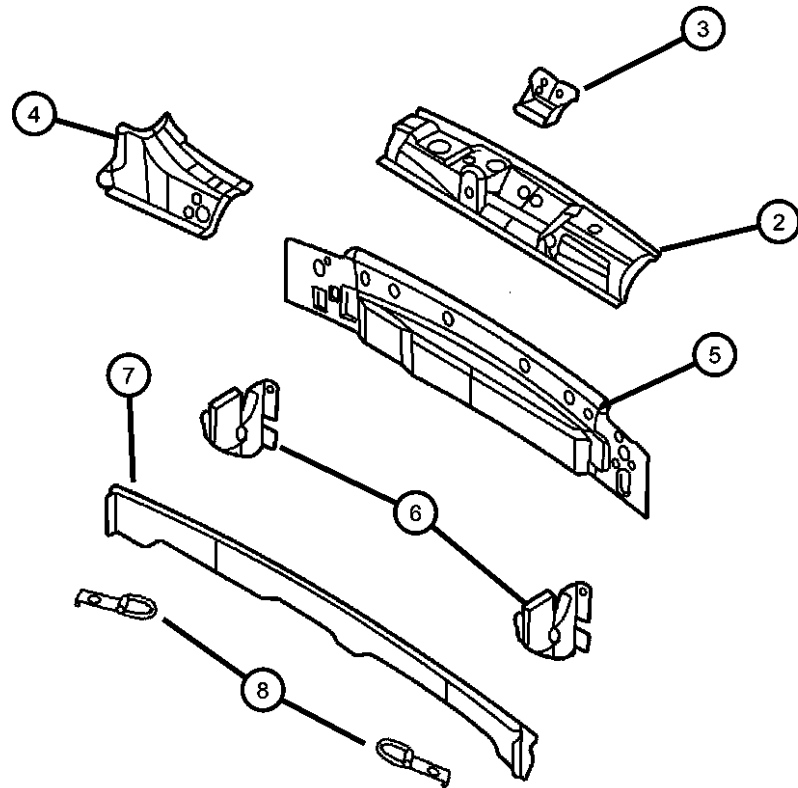
AR = use ase required - = Non illustrated part

2006 PT

Liftgate Panel
Figure SPT-1310



ITEM	PART NUMBER	QTY	LINE	SERIES	BODY	ENGINE	TRANS	TRIM	DESCRIPTION
1	05067638AB	1			44				LIFTGATE With [MXR] , Holes Pre-drilled
	05170968AB	1	C, Z		44				With [MXW] , drill holes as required
2	05017774AB	1	C, Z		27, 44				PANEL, Liftgate Opening Lower
3	04724583AC	1							TAPPING PLATE, Striker
4	04724584AA	1							PANEL, Liftgate Opening Lower Right
	04724585AA	1							Left
5	04724575AB	1							PANEL, Rear Closure
6	04724860AA	1							REINFORCEMENT, Rear Floor Pan Closure To Spare Tire Closure Right
	04724861AA	1							Left
7	04724576AB	1							REINFORCEMENT, Floor Pan
8	05027006AB	2							LOOP, Cargo Tie Down
-9	04724701AA	1			44				REINFORCEMENT, Liftgate Opening Left
	04724700AA	1			44				Right



PT CRUISER (PT)

SERIES LINE
H = HIGHLINE C = CHRYSLER
P = PREMIUM Z = CHRYSLER (RHD)
S = SPORT
X = SPECIAL

BODY
27 = 2-DR CONVERTIBLE
44 = HATCHBACK/QUAD
CAB CHASSIS LWB

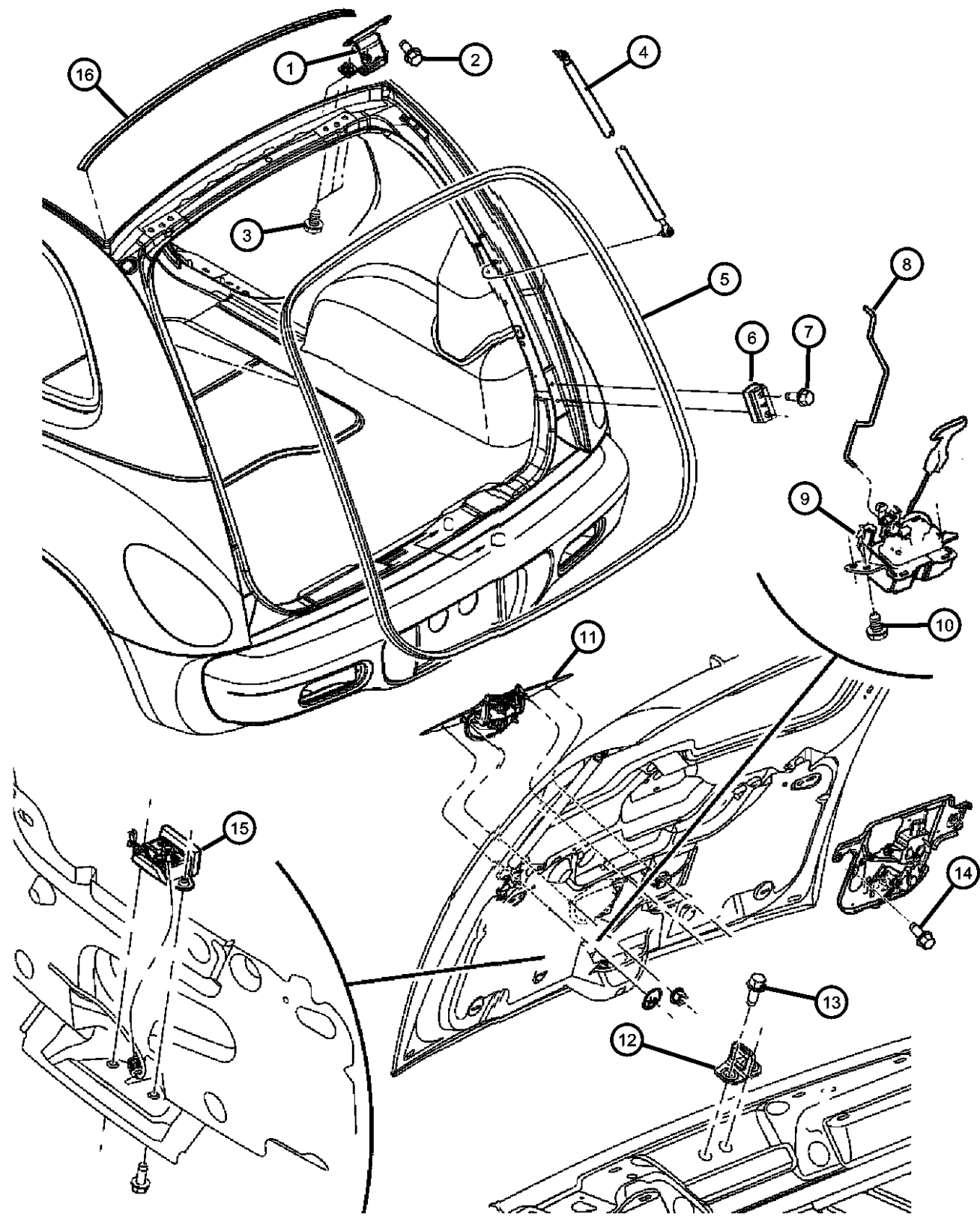
ENGINE
EDJ = 2.2L 4 Cyl Turbo Diesel Engine
EDT = 2.4L 4 Cyl DOHC 16V Turbo Engine
EDV = 2.4L 4 Cyl DOHC 16V HO Turbo Engine
EDZ = 2.4L 4 Cyl DOHC 16V SMPI Engine
EJD = 1.6L 4 Cyl SOHC 16V SMPI

TRANSMISSION
DGL = 4-Speed Automatic Transmission
DD5 = 5-Speed Manual Transmission
DDD = 5-Speed HD Manual Transmission

AR = use ase required - = Non illustrated part

2006 PT

Liftgate Hardware - 44 Body
Figure SPT-1320



ITEM	PART NUMBER	QTY	LINE	SERIES	BODY	ENGINE	TRANS	TRIM	DESCRIPTION
Cargo									
1									HINGE, Liftgate
	04724744AD	1			44				Right
	04724745AD	1			44				Left
2	06503692	4			44				SCREW, M8-1.25
3	06502975	6			44				SCREW AND WASHER, Hex Head, M8x1.25x33
4	04724743AE	2			44				PROP, Liftgate
	G0004564								Mopar V-Line Alternative Part
5	04724763AE	1			44				WEATHERSTRIP, Liftgate Opening
6	04724746AB	2			44				BUMPER, Rubber
7	06504432	4			44				SCREW, Pan Head, M6-1.00x29.00
8	05067609AA	1			44				LINK, Key Cylinder To Latch
9									LATCH ASSY, Power release
	04589016AC	1			44				[JPF]
		1			44				[JPH]
10	06503154	2			44				SCREW AND WASHER, Round Head, M8x1.25x20
11									HANDLE, Liftgate, Includes Touch Pad Switch
	0ZK71AB5AB	1			44				[B5]
	0ZK71ARHAB	1			44				[RH]
	0ZK71BPKAB	1			44				[PK]
	0ZK71CB6AB	1			44				[B6]
	0ZK71CYGAB	1			44				[YG]
	0ZK71DX8AB	1			44				[X8]
	0ZK71WS2AB	1			44				[S2]
	0ZK71XW-GAB	1			44				[WG]
12	04589038AB	1			44				STRIKER, Door Latch
13	06503533	2							SCREW, Flange Head, M8x1.25x26
14	06100274	2							BOLT AND CONED WASHER, Hex Head, M6x14x14

PT CRUISER (PT)
 SERIES LINE
 H = HIGHLINE C = CHRYSLER
 P = PREMIUM Z = CHRYSLER (RHD)
 S = SPORT
 X = SPECIAL

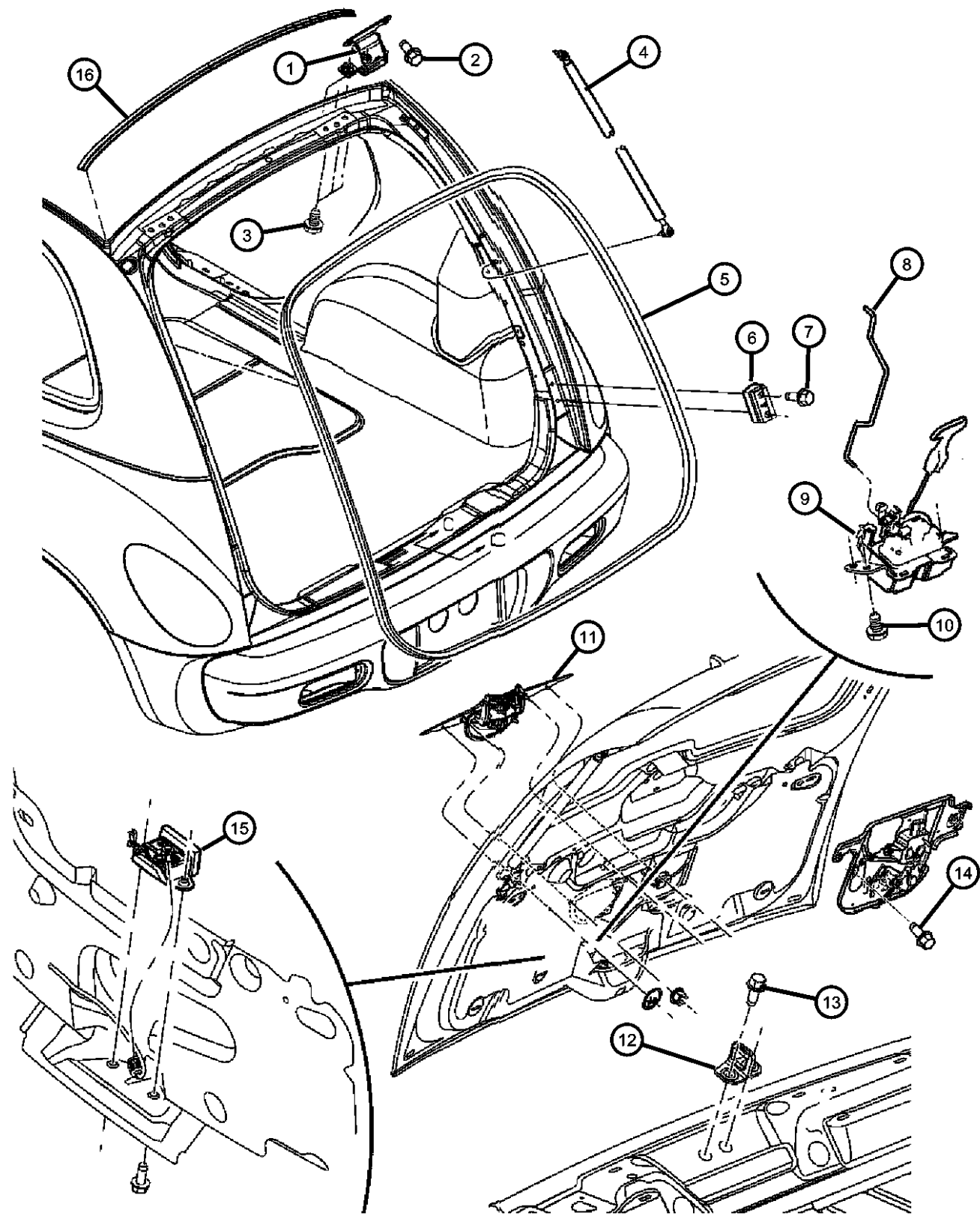
BODY
 27 = 2-DR CONVERTIBLE
 44 = HATCHBACK/QUAD CAB CHASSIS LWB

ENGINE
 EDJ = 2.2L 4 Cyl Turbo Diesel Engine
 EDT = 2.4L 4 Cyl DOHC 16V Turbo Engine
 EDV = 2.4L 4 Cyl DOHC 16V HO Turbo Engine
 EDZ = 2.4L 4 Cyl DOHC 16V SMPI Engine
 EJD = 1.6L 4 Cyl SOHC 16V SMPI

TRANSMISSION
 DGL = 4-Speed Automatic Transmission
 DD5 = 5-Speed Manual Transmission
 DDD = 5-Speed HD Manual Transmission

AR = use ase required - = Non illustrated part

Liftgate Hardware - 44 Body
Figure SPT-1320



ITEM	PART NUMBER	QTY	LINE	SERIES	BODY	ENGINE	TRANS	TRIM	DESCRIPTION
15	04671966AA	1	Z						SWITCH, Liftgate
		1	C		44				
16	05027605AA	1			44				SEAL, Liftgate

PT CRUISER (PT)

SERIES LINE
H = HIGHLINE C = CHRYSLER
P = PREMIUM Z = CHRYSLER (RHD)
S = SPORT
X = SPECIAL

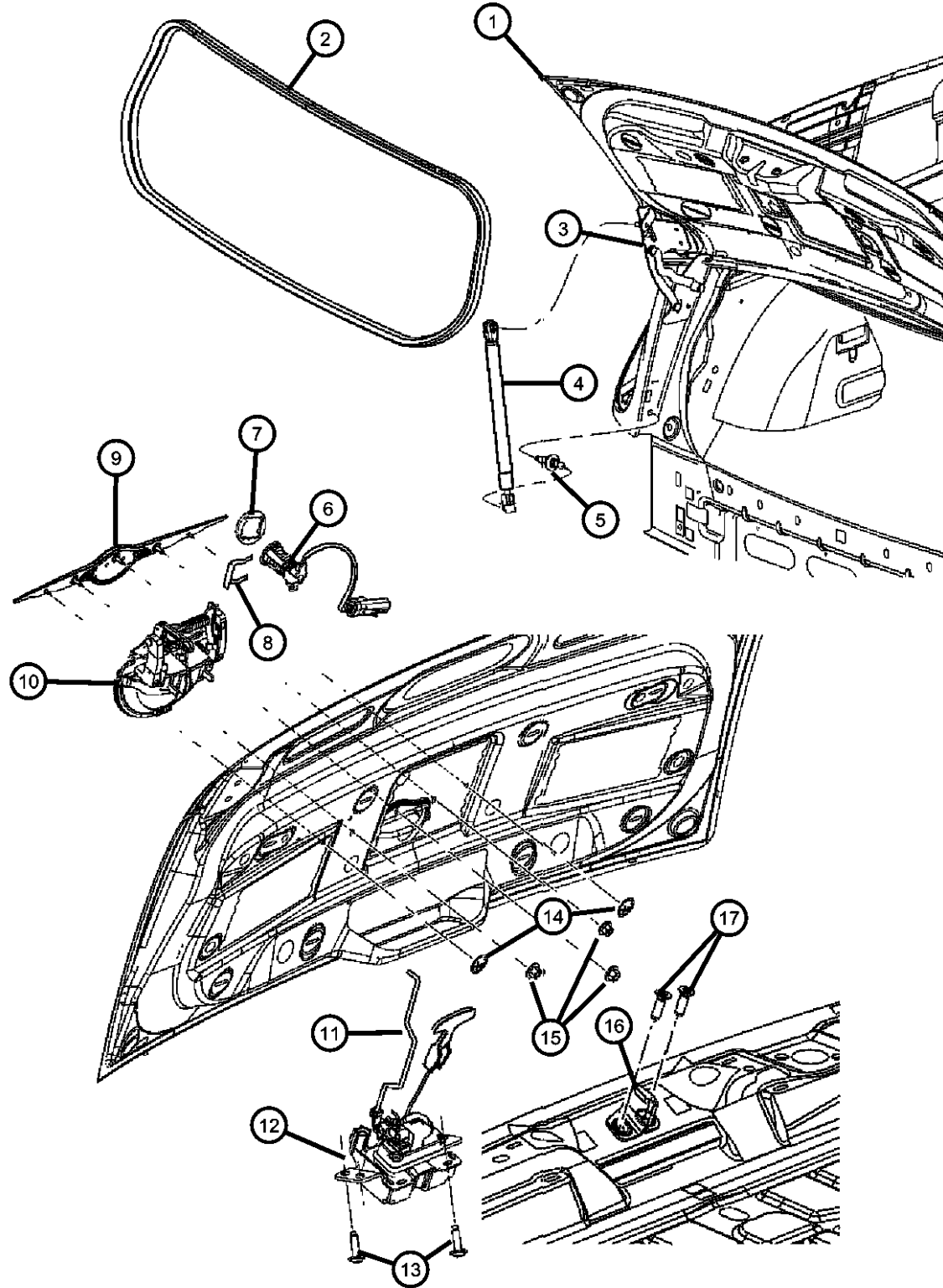
BODY
27 = 2-DR CONVERTIBLE
44 = HATCHBACK/QUAD
CAB CHASSIS LWB

ENGINE
EDJ = 2.2L 4 Cyl Turbo Diesel Engine
EDT = 2.4L 4 Cyl DOHC 16V Turbo Engine
EDV = 2.4L 4 Cyl DOHC 16V HO Turbo Engine
EDZ = 2.4L 4 Cyl DOHC 16V SMPI Engine
EJD = 1.6L 4 Cyl SOHC 16V SMPI

TRANSMISSION
DGL = 4-Speed Automatic Transmission
DD5 = 5-Speed Manual Transmission
DDD = 5-Speed HD Manual Transmission

AR = use ase required - = Non illustrated part

Decklid - 27 body
Figure SPT-1325



ITEM	PART NUMBER	QTY	LINE	SERIES	BODY	ENGINE	TRANS	TRIM	DESCRIPTION
1	05067234AB	1			27				LIFTGATE
2	05067159AC	1	C		27				WEATHERSTRIP, Liftgate Opening
3									HINGE, Liftgate
	05067238AC	1			27				Right
	05067239AC	1			27				Left
4	05067236AB	2			27				PROP, Liftgate
5	06507844AA	2			27				BALL STUD
6									CYLINDER, Tailgate Lock
	05114569AA	1	C		27				
		1	Z		27				
7	55295864	1			27				GASKET, Door Lock Cylinder, Black
8	55295904	1			27				RETAINER, Door Cylinder To Handle
9	05067521AB	1			27				HANDLE, Liftgate
10									BEZEL, Pullcup
	0XY48AB5AA	1			27				[B5]
	0XY48ARHAA	1			27				[RH]
	0XY48BPKAA	1			27				[PK]
	0XY48CB6AA	1			27				[B6]
	0XY48CY-GAA	1			27				[YG]
	0XY48DX8AA	1			27				[X8]
	0XY48WS2AA	1			27				[S2]
	0XY48XW-GAA	1			27				[WG]
11	05067473AA	1			27				LINK, Deck Lid Lock Cylinder
12	04589014AB	1			27				LATCH ASSY, Power release
13	06504212	3			27				SCREW, Large Round Washer Head Lock, M6x1.00x20.00
14	06036279AA	2			27				NUT, Liftgate Handle
15	06036279AA	2			27				NUT AND WASHER, Hex, M5x.80, 06100045, (NOT SERVICED)
16	05067472AA	1			27				STRIKER, Door Latch
17	06503533	2							SCREW, Flange Head, M8x1.25x26

PT CRUISER (PT)

SERIES LINE
H = HIGHLINE C = CHRYSLER
P = PREMIUM Z = CHRYSLER (RHD)
S = SPORT
X = SPECIAL

BODY
27 = 2-DR CONVERTIBLE
44 = HATCHBACK/QUAD
CAB CHASSIS LWB

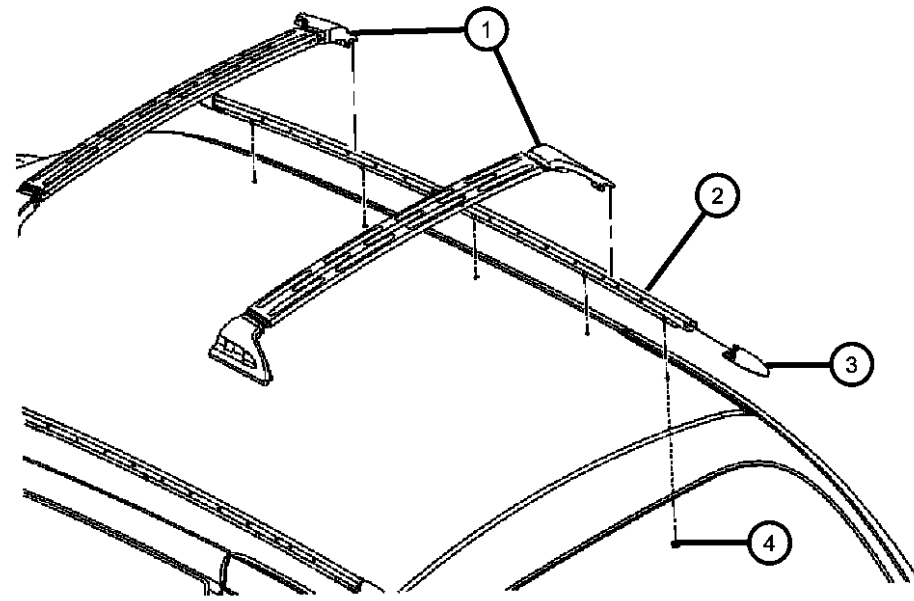
ENGINE
EDJ = 2.2L 4 Cyl Turbo Diesel Engine
EDT = 2.4L 4 Cyl DOHC 16V Turbo Engine
EDV = 2.4L 4 Cyl DOHC 16V HO Turbo Engine
EDZ = 2.4L 4 Cyl DOHC 16V SMPI Engine
EJD = 1.6L 4 Cyl SOHC 16V SMPI

TRANSMISSION
DGL = 4-Speed Automatic Transmission
DD5 = 5-Speed Manual Transmission
DDD = 5-Speed HD Manual Transmission

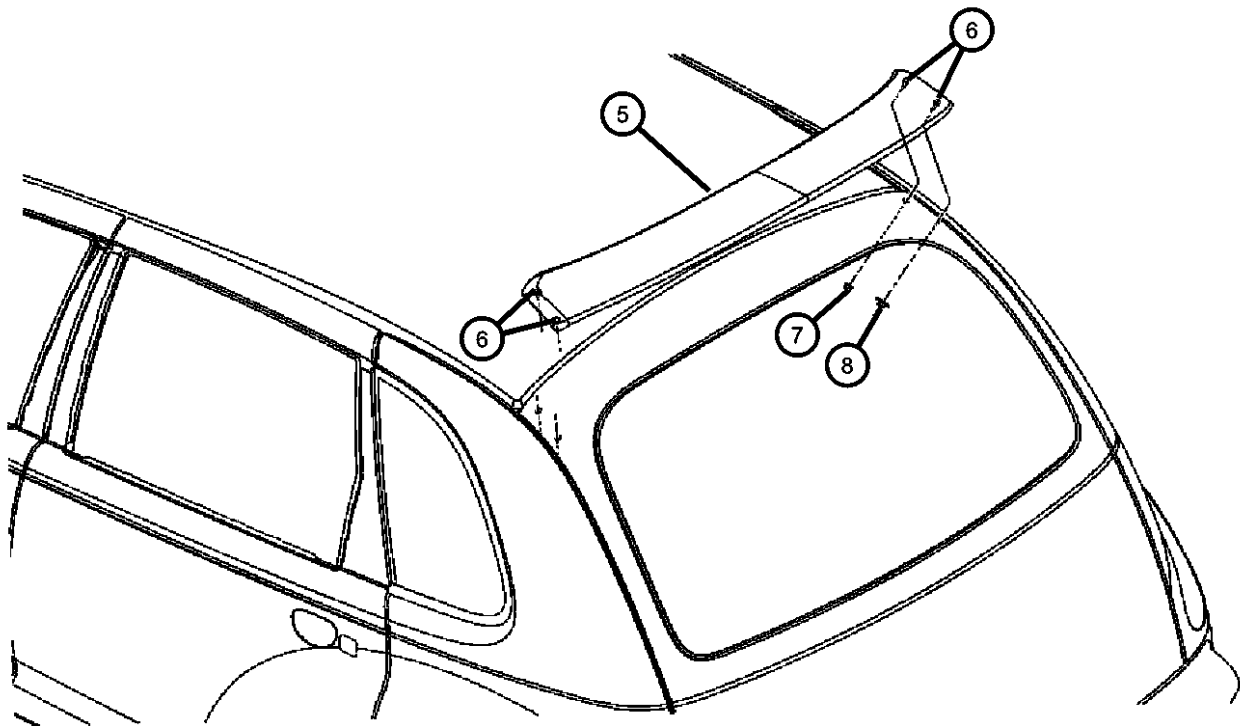
AR = use ase required - = Non illustrated part

2006 PT

Luggage Rack
Figure SPT-1610



ITEM	PART NUMBER	QTY	LINE	SERIES	BODY	ENGINE	TRANS	TRIM	DESCRIPTION
1	05303724AA	1							RAIL, LUGG RACK CROSS
2	05303728AA	1							RAIL, Luggage Rack Side Right
	05303729AA	1							Left
3	05303732AA	1							COVER, Luggage Rack Right
	05303733AA	1							Left
4	06505881AA	10							NUT AND WASHER, Hex Nut-Coned Washer, M6 x 1.00
5	0ZW65TZZAB	1			44				SPOILER, Liftgate
6	0ZW65TZZAB	1							SCREW, Serviced in Spoiler Assy., (NOT SERVICED)
7	06102101AA	2			44				NUT AND WASHER, Hex, M5x0.80
8	06505953AA	2			44				NUT AND WASHER, M6x1



PT CRUISER (PT)

SERIES LINE
H = HIGHLINE C = CHRYSLER
P = PREMIUM Z = CHRYSLER (RHD)
S = SPORT
X = SPECIAL

BODY
27 = 2-DR CONVERTIBLE
44 = HATCHBACK/QUAD
CAB CHASSIS LWB

ENGINE
EDJ = 2.2L 4 Cyl Turbo Diesel Engine
EDT = 2.4L 4 Cyl DOHC 16V Turbo Engine
EDV = 2.4L 4 Cyl DOHC 16V HO Turbo Engine
EDZ = 2.4L 4 Cyl DOHC 16V SMPI Engine
EJD = 1.6L 4 Cyl SOHC 16V SMPI

TRANSMISSION
DGL = 4-Speed Automatic Transmission
DD5 = 5-Speed Manual Transmission
DDD = 5-Speed HD Manual Transmission

AR = use ase required - = Non illustrated part

2006 PT

Group - LBLS

Labels All Vehicle Locations

Group - LBLS Labels All Vehicle Locations

Illustration Title

Group-Fig. No.

Interior

Instrument Panel, Visors and Trim..... Fig. LBLS - 105

Under Hood

Engine Compartment Fig. LBLS - 205

Doors

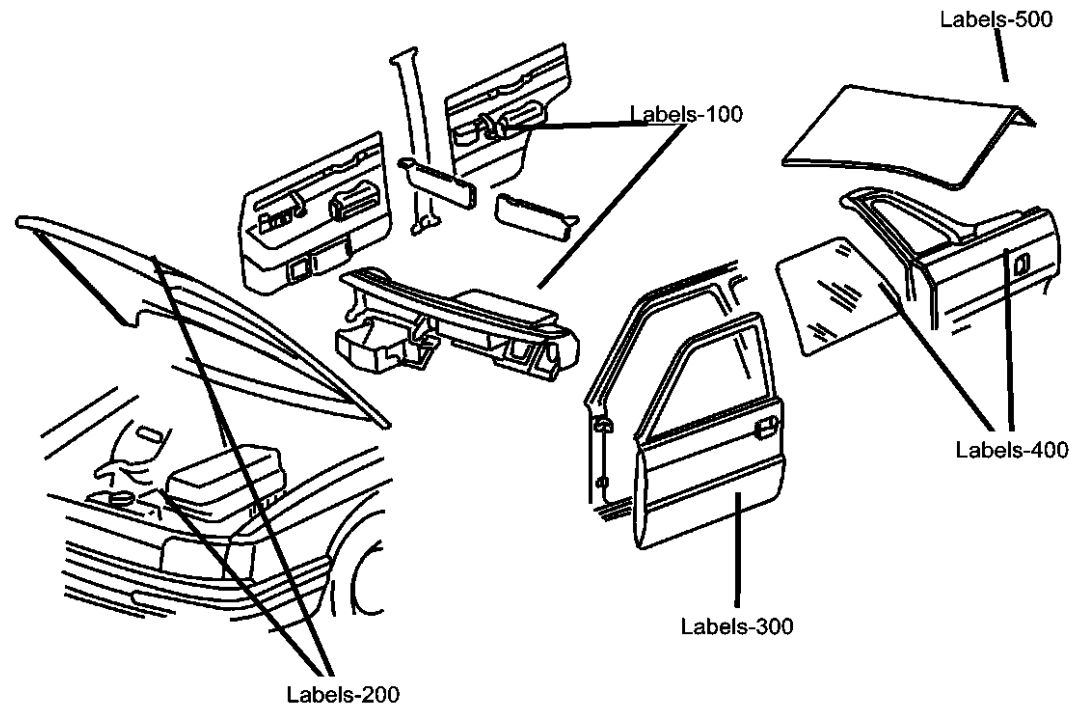
Doors and Pillars Fig. LBLS - 305

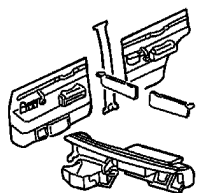
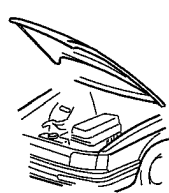

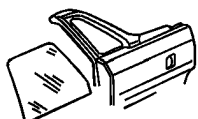

Exterior

Fuel Door/Filler Fig. LBLS - 405

Rear Cargo & Storage

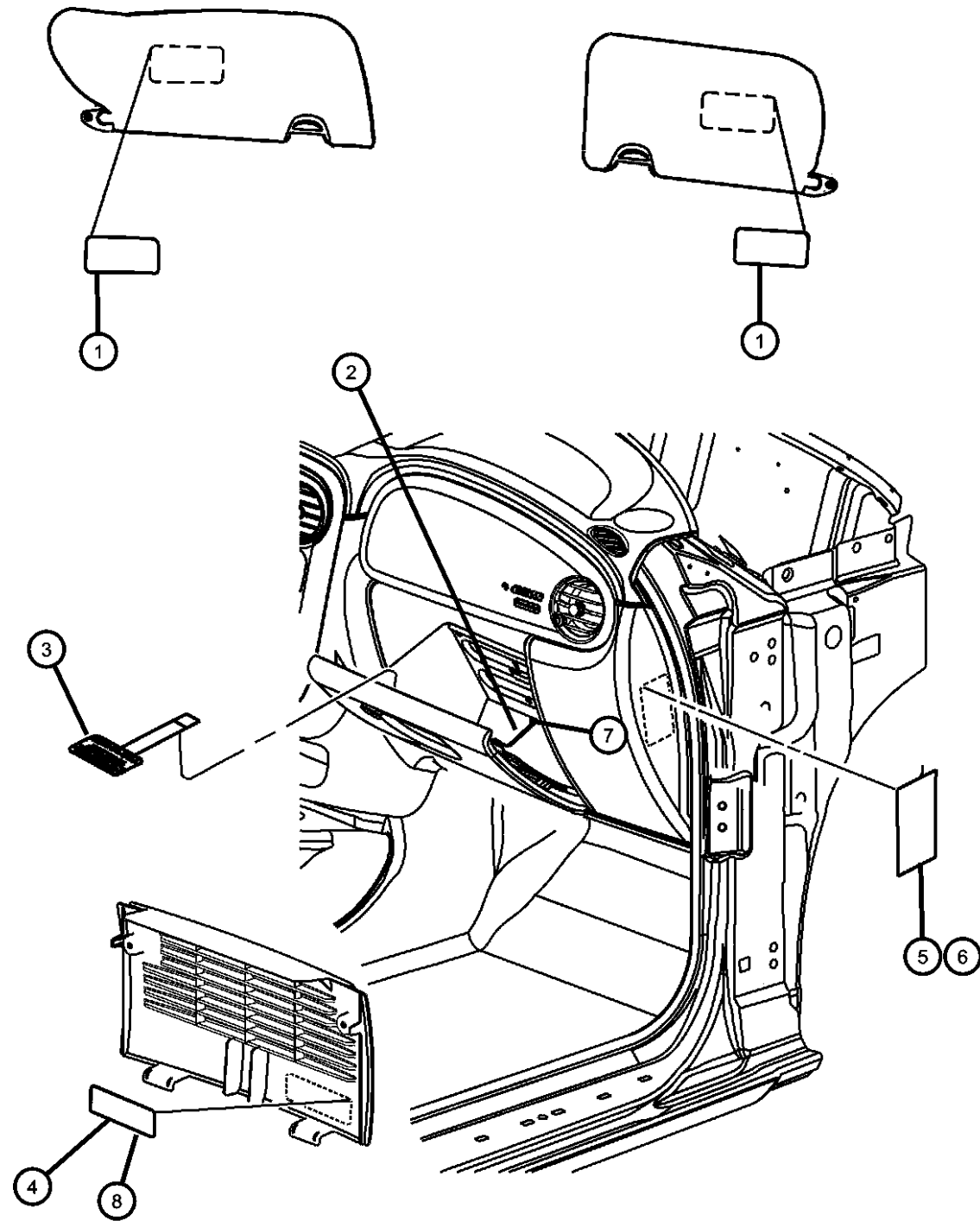
Rear Cargo and Storage..... Fig. LBLS - 505



<p>LBLS-100 Interior</p> 	<p>LBLS-200 Under Hood</p> 	<p>LBLS-300 Doors</p> 	<p>LBLS-400 Exterior</p> 
<p>LBLS-500 Rear Cargo & Storage</p> 			

**Instrument Panel, Visors and Trim
Figure LBL5-105**

ITEM	PART NUMBER	QTY	LINE	SERIES	BODY	ENGINE	TRANS	TRIM	DESCRIPTION
1	04787437AA	2							LABEL, Air Bag Warning, Visor
2	04787437AA	2							LABEL, General Information, (NOT SERVICED)
3	04649282AA	2							LABEL, Air Bag Warning
4	04557480	1							LABEL, Battery
	05033244AA	1				EDJ			
5	04680556AA	1							DECAL, Seat Belt Safety
6	04664294AA	2							LABEL, Air Bag WarningExport
7	04664294AA	2							LABEL, Transmitter, (NOT SERVICED)
8	04664294AA	2							LABEL, Mercury Warning, (NOT SERVICED)



PT CRUISER (PT)

SERIES LINE
H = HIGHLINE C = CHRYSLER
P = PREMIUM Z = CHRYSLER (RHD)
S = SPORT
X = SPECIAL

BODY
27 = 2-DR CONVERTIBLE
44 = HATCHBACK/QUAD
CAB CHASSIS LWB

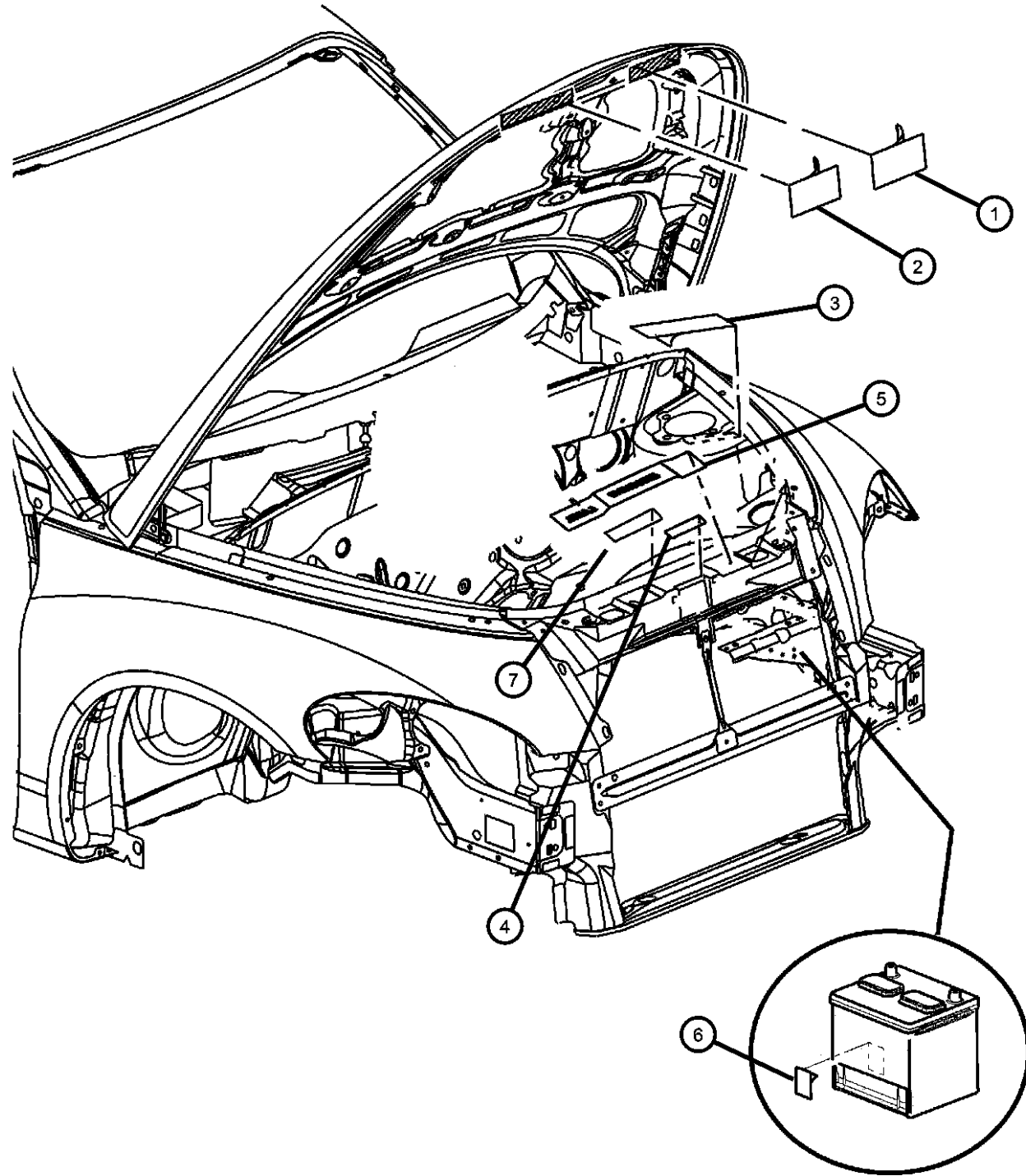
ENGINE
EDJ = 2.2L 4 Cyl Turbo Diesel Engine
EDT = 2.4L 4 Cyl DOHC 16V Turbo Engine
EDV = 2.4L 4 Cyl DOHC 16V HO Turbo Engine
EDZ = 2.4L 4 Cyl DOHC 16V SMPI Engine
EJD = 1.6L 4 Cyl SOHC 16V SMPI

TRANSMISSION
DGL = 4-Speed Automatic Transmission
DD5 = 5-Speed Manual Transmission
DDD = 5-Speed HD Manual Transmission

AR = use ase required - = Non illustrated part

2006 PT

**Engine Compartment
Figure LBL5-205**



ITEM	PART NUMBER	QTY	LINE	SERIES	BODY	ENGINE	TRANS	TRIM	DESCRIPTION
------	-------------	-----	------	--------	------	--------	-------	------	-------------

Sales Codes:
 [ABB] = EUROPEAN EQUIPMENT GROUP
 [DD5] = 5 SPEED MANUAL TRANSMISSION
 [EDT] = 2.4L 4 CYL DOHC 16V TURBO ENGINE
 [EDV] = 2.4L 4 CYL DOHC 16V HO TURBO ENGINE
 [EDZ] = 2.4L 4 CYL DOHC 16V SMPI ENGINE
 [EJD] = 1.6L 4 CYL SOHC 16V SMPI ENGINE
 [NAA] = FEDERAL EMISSIONS
 [NAE] = CALIFORNIA EMISSIONS
 [NAS] = 50 STATE EMISSIONS
 [NA1] = EXPORT EMISSIONS
 [XLB] = ARABIC LANGUAGE

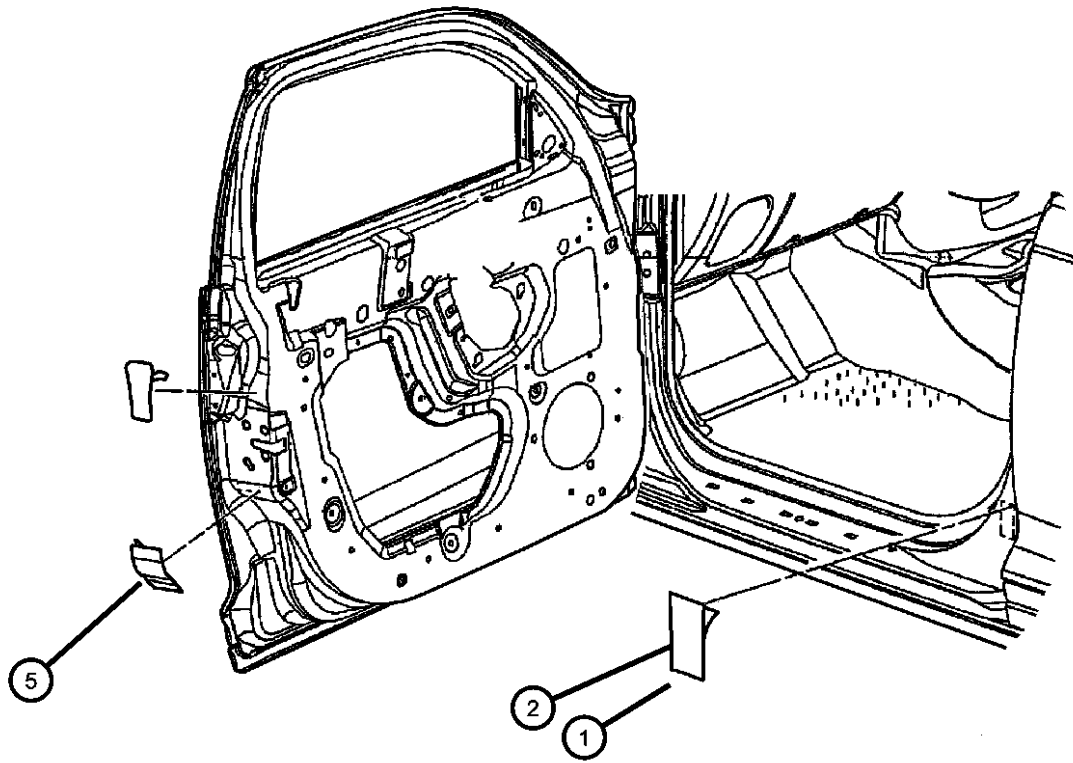
1									DECAL, A/C System Specification
	05058076AA	1							[XLB]
	05058186AA	1							
2	05288631AA	1							LABEL, Headlamp Leveling
3	04794596AA	1				EDZ			LABEL, Jump Start
4	05027901AB	1							LABEL, Battery Jump Start
5									LABEL, Emission
	05273693AA	1				EDZ			[NAS]
	05273694AA	1				EDZ			[NA1]
	05273695AA	1				EDZ			[NAA]
	05273696AA	1				EDZ			[NAE]
	05273697AA	1				EDV			[NA1], Export
	05273698AB	1				EDT, EDV			
	05273699AA	1				EJD			[NA1], Export
6	04793062	1							LABEL, Battery, [ABB]
7	05017850AA	1				EJD			LABEL, Oil Designation

PT CRUISER (PT)				
SERIES	LINE	BODY	ENGINE	TRANSMISSION
H = HIGHLINE	C = CHRYSLER	27 = 2-DR CONVERTIBLE	EDJ = 2.2L 4 Cyl Turbo Diesel Engine	DGL = 4-Speed Automatic Transmission
P = PREMIUM	Z = CHRYSLER (RHD)	44 = HATCHBACK/QUAD CAB CHASSIS LWB	EDT = 2.4L 4 Cyl DOHC 16V Turbo Engine	DD5 = 5-Speed Manual Transmission
S = SPORT			EDV = 2.4L 4 Cyl DOHC 16V HO Turbo Engine	DDD = 5-Speed HD Manual Transmission
X = SPECIAL			EDZ = 2.4L 4 Cyl DOHC 16V SMPI Engine	
			EJD = 1.6L 4 Cyl SOHC 16V SMPI	

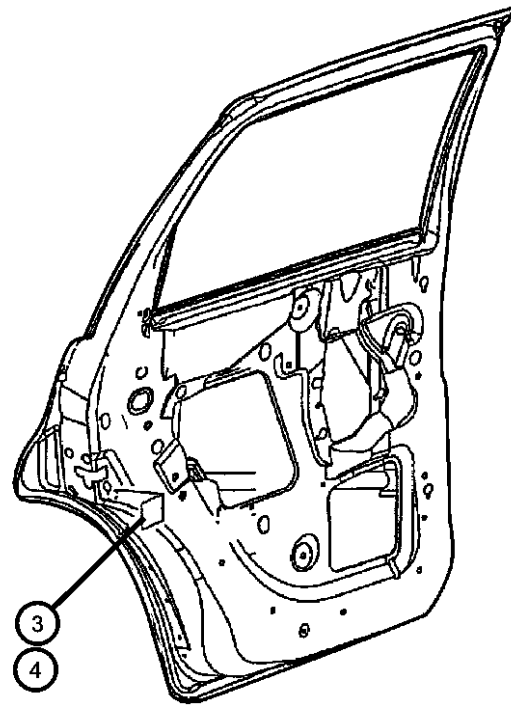
AR = use ase required - = Non illustrated part

Doors and Pillars
Figure LBLS-305

ITEM	PART NUMBER	QTY	LINE	SERIES	BODY	ENGINE	TRANS	TRIM	DESCRIPTION
------	-------------	-----	------	--------	------	--------	-------	------	-------------



1	05256594AB	1			44				LABEL, Lift Point
		2			27				
2	04649282AA	2							LABEL, Air Bag Warning
3	05056072AA	2			44				LABEL, Child Protection Lock, English
4	05056004AA	2			44				LABEL, Child Protection Lock, French
5	05023779AA	1							LABEL, Weight, Euro Export



PT CRUISER (PT)

SERIES LINE
H = HIGHLINE C = CHRYSLER
P = PREMIUM Z = CHRYSLER (RHD)
S = SPORT
X = SPECIAL

BODY
27 = 2-DR CONVERTIBLE
44 = HATCHBACK/QUAD
CAB CHASSIS LWB

ENGINE
EDJ = 2.2L 4 Cyl Turbo Diesel Engine
EDT = 2.4L 4 Cyl DOHC 16V Turbo Engine
EDV = 2.4L 4 Cyl DOHC 16V HO Turbo Engine
EDZ = 2.4L 4 Cyl DOHC 16V SMPI Engine
EJD = 1.6L 4 Cyl SOHC 16V SMPI

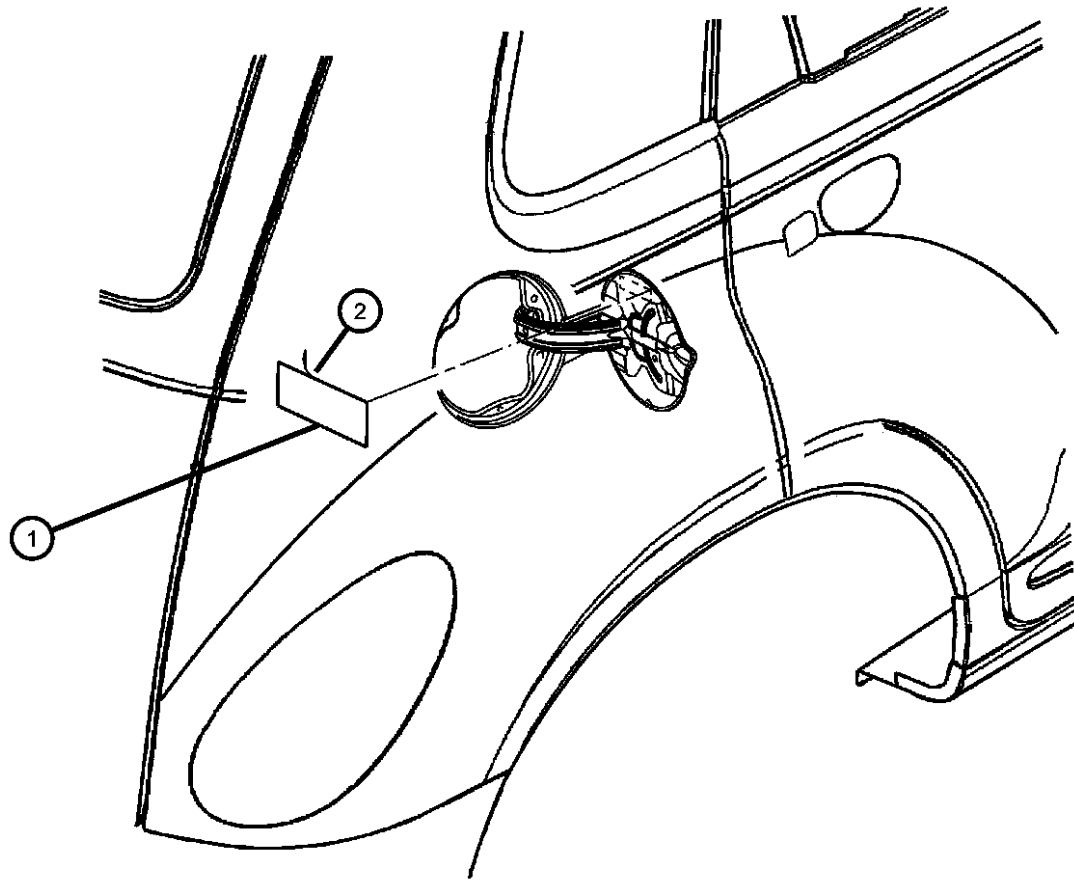
TRANSMISSION
DGL = 4-Speed Automatic Transmission
DD5 = 5-Speed Manual Transmission
DDD = 5-Speed HD Manual Transmission

AR = use ase required - = Non illustrated part

2006 PT

Fuel Door/Filler
Figure LBLS-405

ITEM	PART NUMBER	QTY	LINE	SERIES	BODY	ENGINE	TRANS	TRIM	DESCRIPTION
1	05023779AA	1							LABEL, Diesel Fuel, (NOT SERVICED)
2	05152043AA	1							LABEL, Hang Cap Here, Canada gas cap tether



PT CRUISER (PT)

SERIES LINE
H = HIGHLINE C = CHRYSLER
P = PREMIUM Z = CHRYSLER (RHD)
S = SPORT
X = SPECIAL

BODY
27 = 2-DR CONVERTIBLE
44 = HATCHBACK/QUAD
CAB CHASSIS LWB

ENGINE
EDJ = 2.2L 4 Cyl Turbo Diesel Engine
EDT = 2.4L 4 Cyl DOHC 16V Turbo Engine
EDV = 2.4L 4 Cyl DOHC 16V HO Turbo Engine
EDZ = 2.4L 4 Cyl DOHC 16V SMPI Engine
EJD = 1.6L 4 Cyl SOHC 16V SMPI

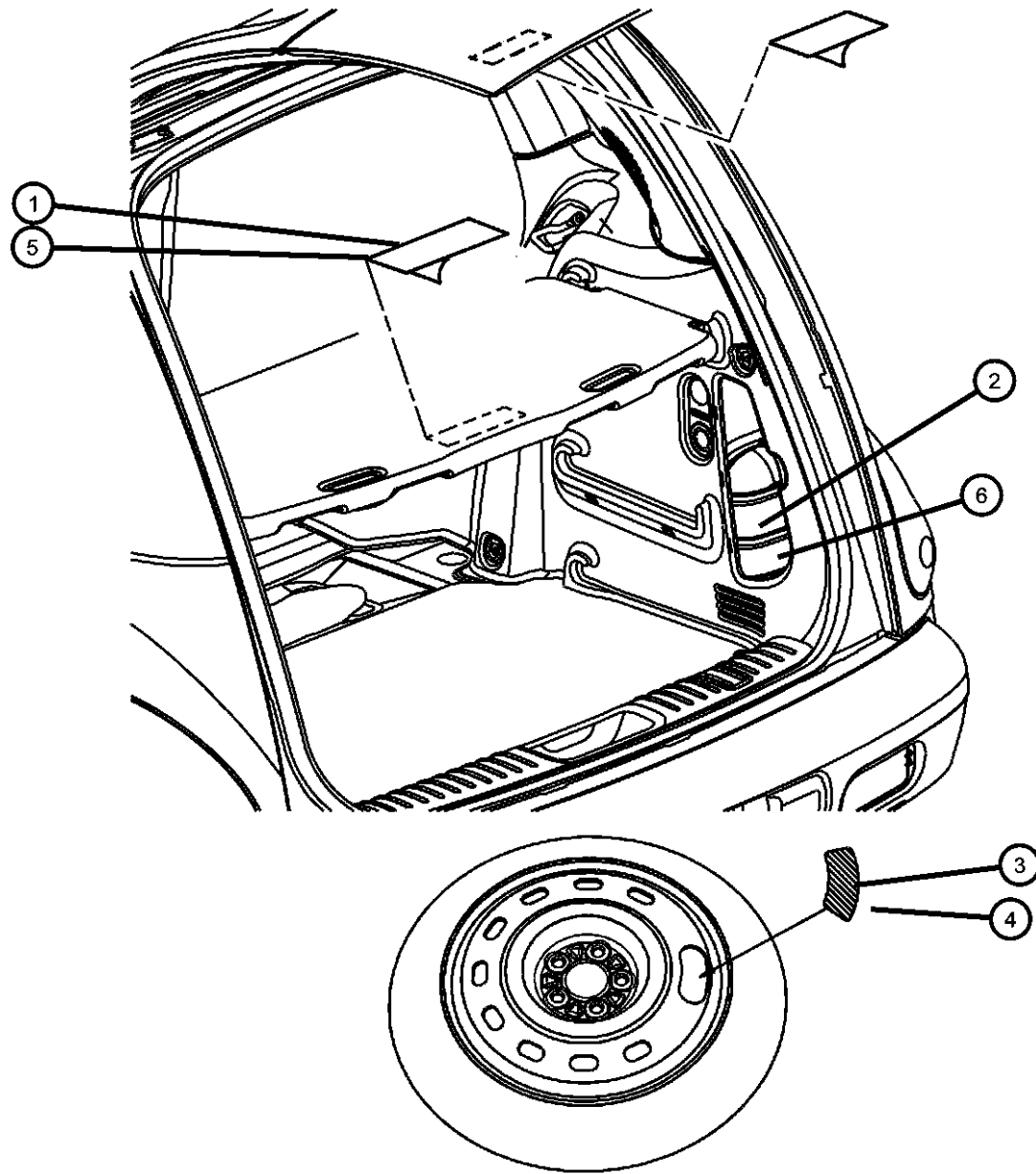
TRANSMISSION
DGL = 4-Speed Automatic Transmission
DD5 = 5-Speed Manual Transmission
DDD = 5-Speed HD Manual Transmission

AR = use ase required - = Non illustrated part

2006 PT

Rear Cargo and Storage
Figure LBLS-505

ITEM	PART NUMBER	QTY	LINE	SERIES	BODY	ENGINE	TRANS	TRIM	DESCRIPTION
1	05023357AB	1			44				LABEL
2									LABEL, Jack Caution
	52110392AB	1							[XLB]
	52110400AB	1							[XLB]
3	05273515AA	1							LABEL, Tire StorageExport
4	05272566AA	1							LABEL, Temporary Spare Tire Usage
5	05023779AA	1							LABEL, Shelf Panel Warning
6	05056223AA	1							LABEL, Warning, Fire extinguisher Arabic



PT CRUISER (PT)

SERIES LINE
H = HIGHLINE C = CHRYSLER
P = PREMIUM Z = CHRYSLER (RHD)
S = SPORT
X = SPECIAL

BODY
27 = 2-DR CONVERTIBLE
44 = HATCHBACK/QUAD
CAB CHASSIS LWB

ENGINE TRANSMISSION
EDJ = 2.2L 4 Cyl Turbo Diesel Engine
EDT = 2.4L 4 Cyl DOHC 16V Turbo Engine
EDV = 2.4L 4 Cyl DOHC 16V HO Turbo Engine
EDZ = 2.4L 4 Cyl DOHC 16V SMPI Engine
EJD = 1.6L 4 Cyl SOHC 16V SMPI
DGL = 4-Speed Automatic Transmission
DD5 = 5-Speed Manual Transmission
DDD = 5-Speed HD Manual Transmission

AR = use ase required - = Non illustrated part

2006 PT